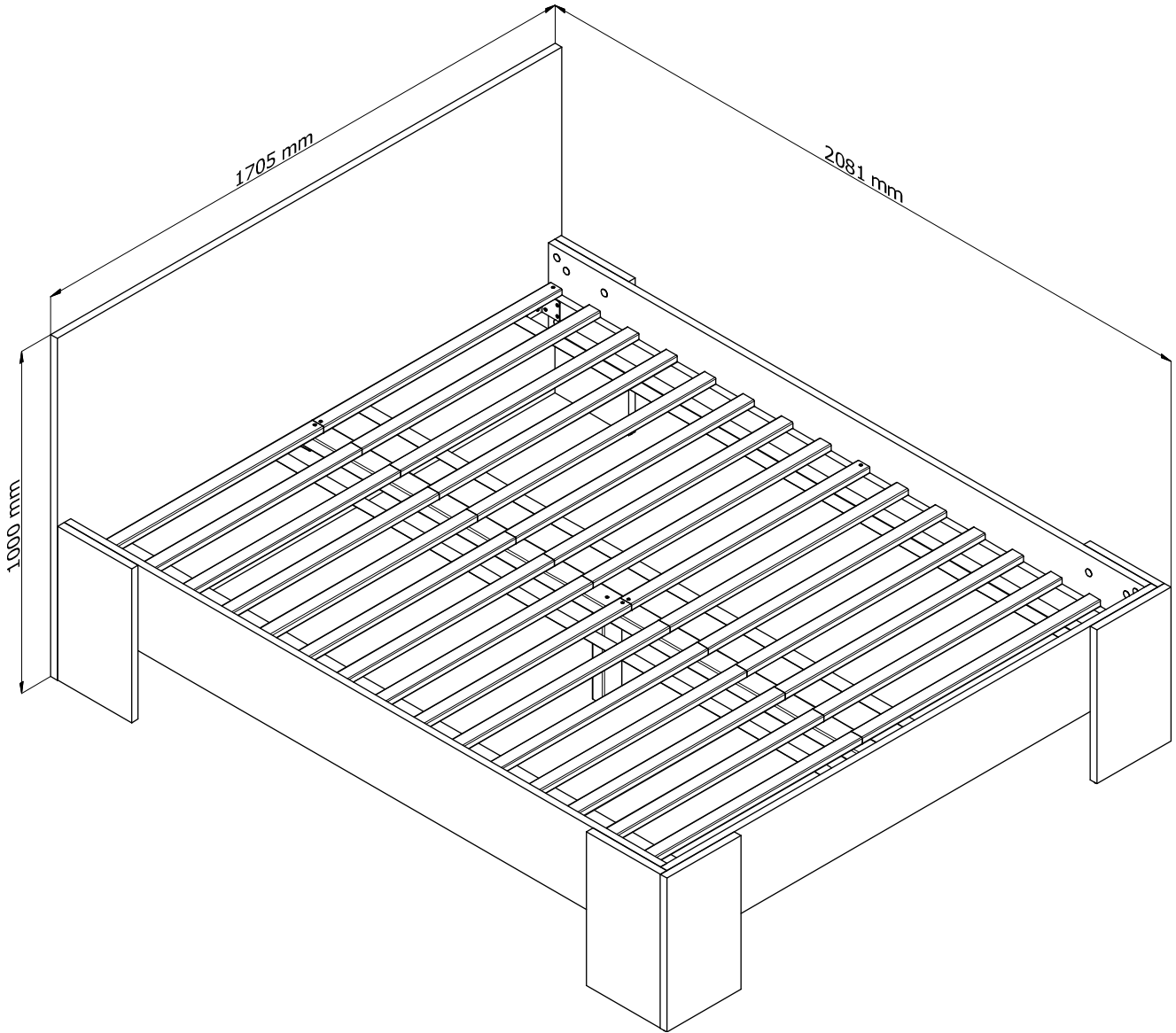
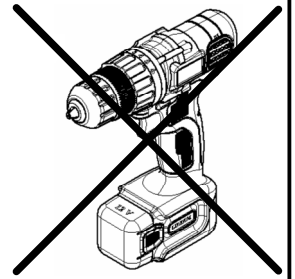
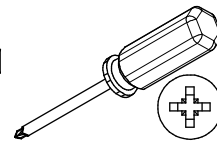
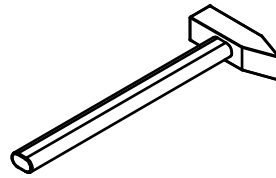
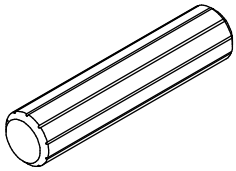


L1



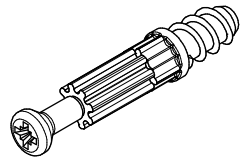


A1 x8



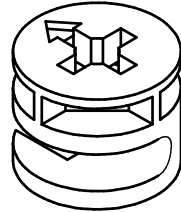
Ø8x35mm

B1 x12



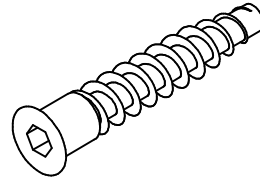
Ø5x38mm

C1 x12



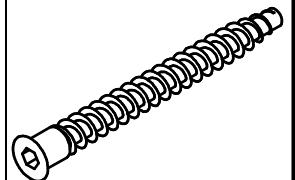
Ø15x12mm

K2 x24



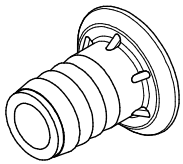
Ø7x40mm

K4 x1



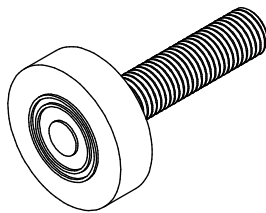
Ø7x70mm

L9 x1



M8x19mm

L10 x1



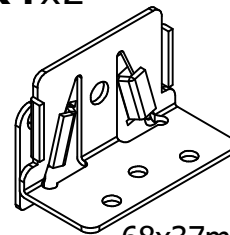
M8x40mm

N2 x1



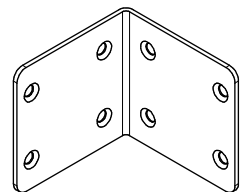
4mm HEX

R4 x2



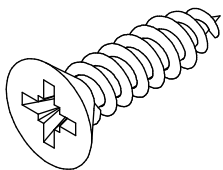
68x37mm

R5 x4



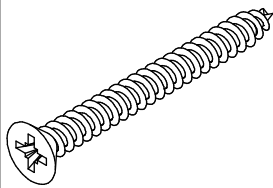
60x62mm

W2 x40



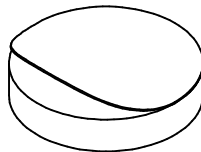
Ø3,5x16mm

W6 x18

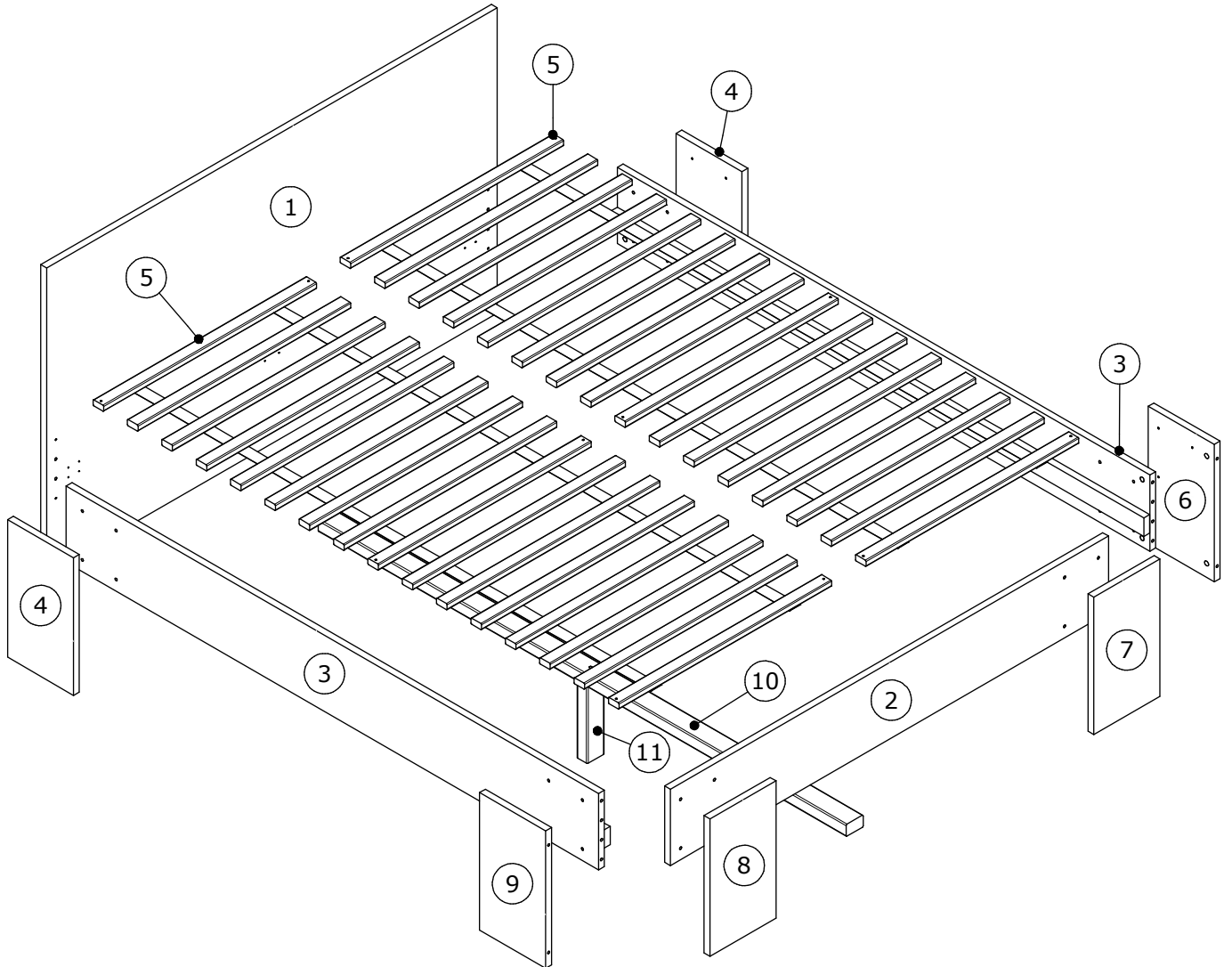
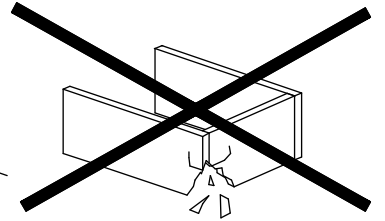
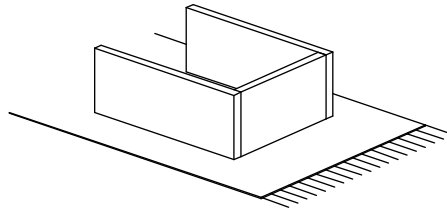
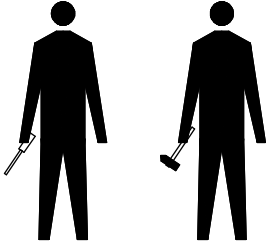


Ø4x40mm

Y2 x17

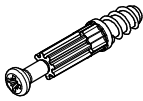


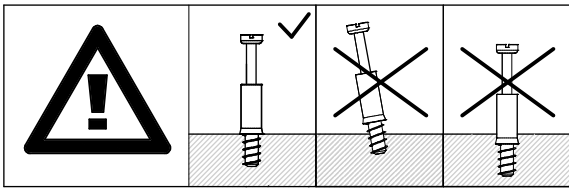
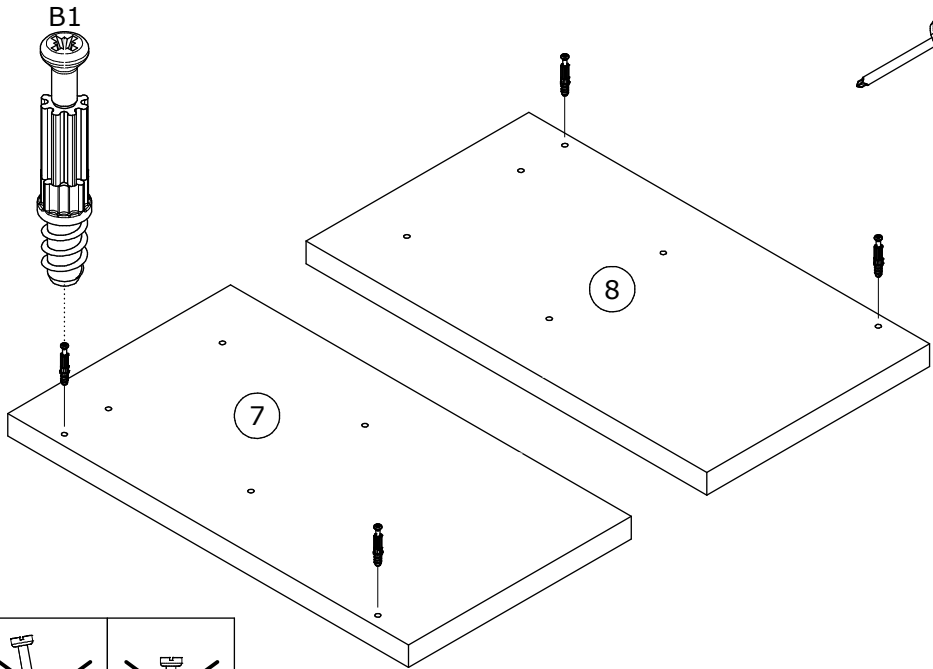
Ø16mm



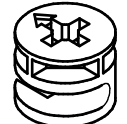
No.	L[mm]	W[mm]	H[mm]	PCS	BOX
1	1705	1000	22	1	2/3
2	1658	250	22	1	2/3
3	2015	250	22	2	1/3
4	450	250	22	2	2/3
5	805	40	20	2	3/3
6	450	250	22	1	2/3
7	450	250	22	1	2/3
8	450	250	22	1	2/3
9	450	250	22	1	2/3
10	1998	65	40	1	1/3
11	250	65	40	1	3/3

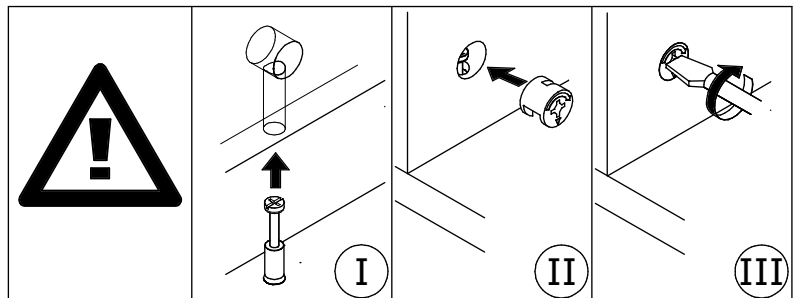
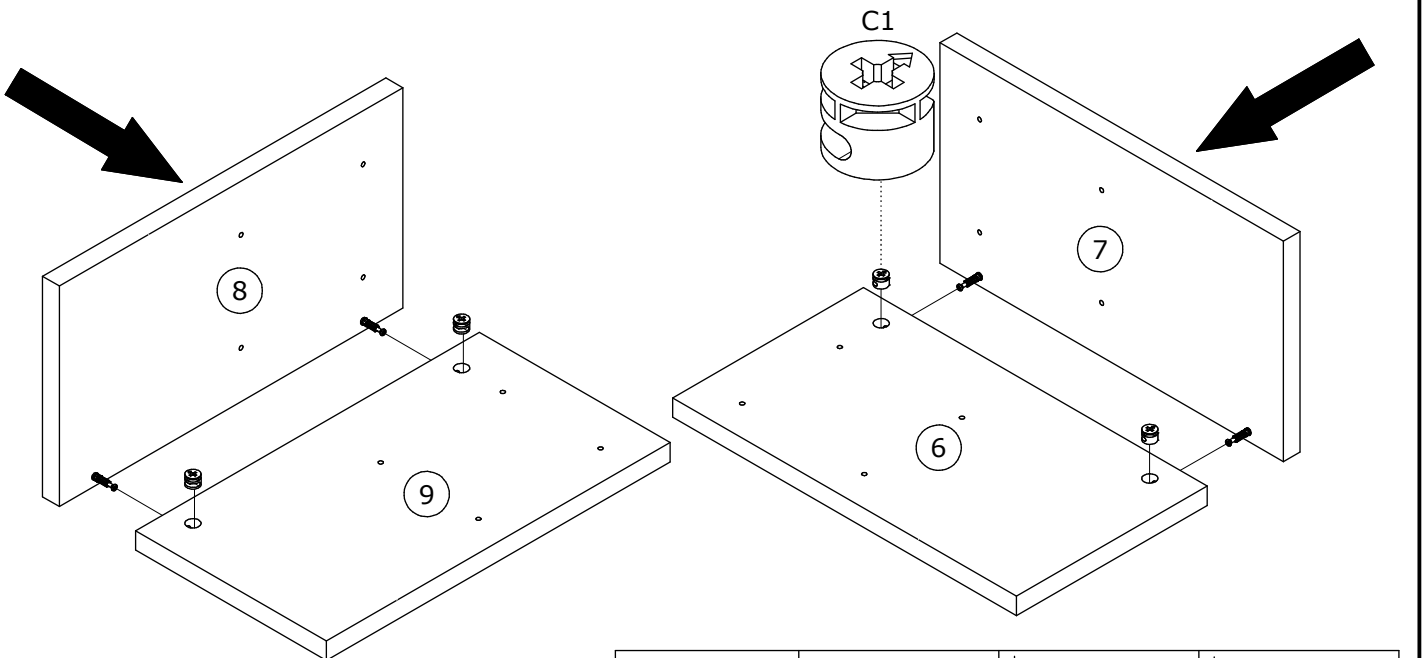
1

B1 x4

Ø5x38mm



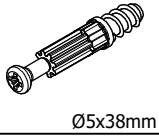
2

C1 x4

Ø15x12mm

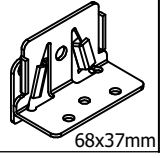


3

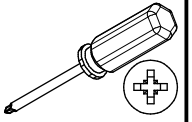
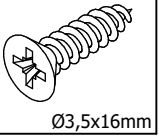
B1 x4



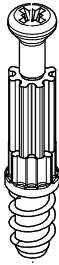
R4 x1



W2 x4



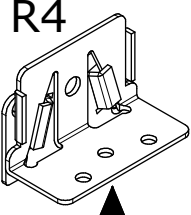
B1



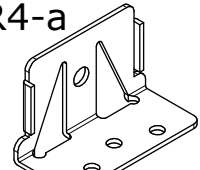
2



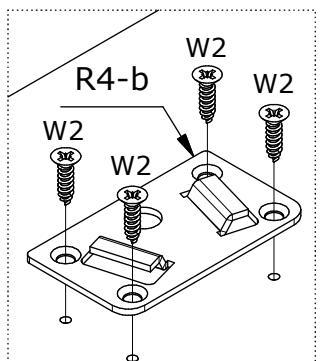
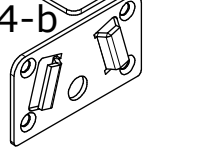
R4



R4-a

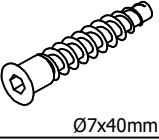


R4-b

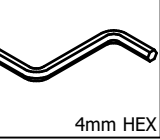


4

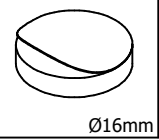
K2 x8



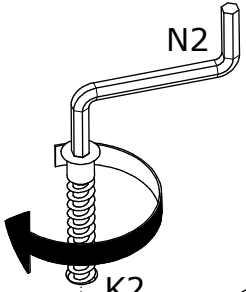
N2 x1



Y2 x8



N2



K2

2



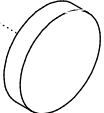
9

8

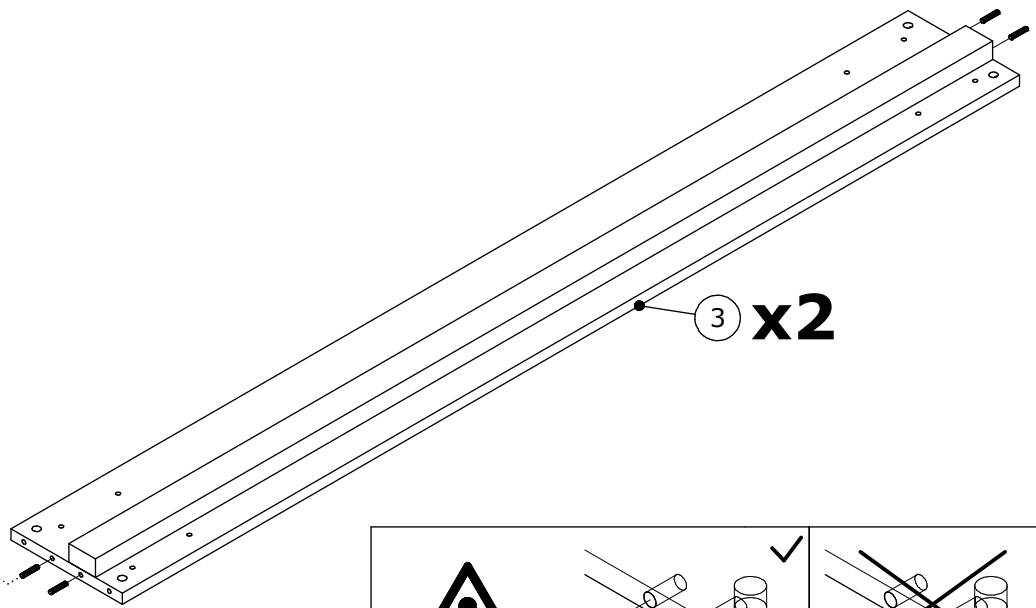
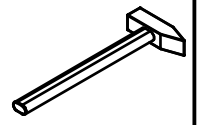
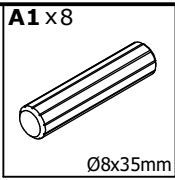
6

7

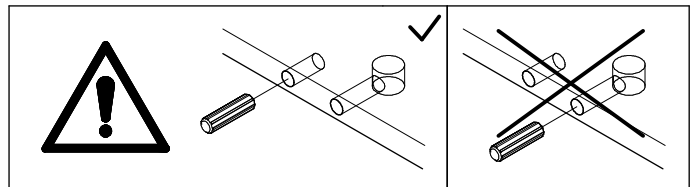
Y2



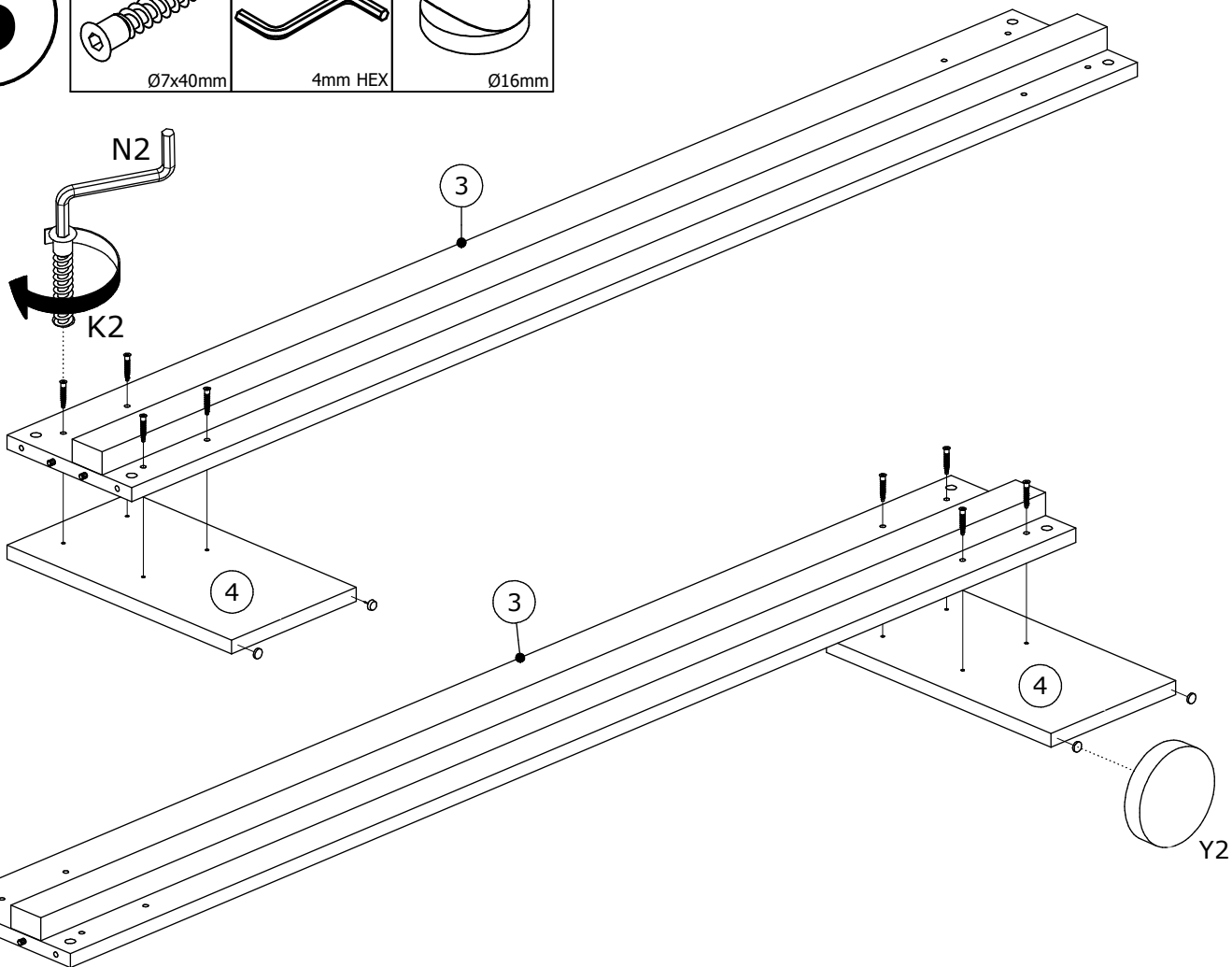
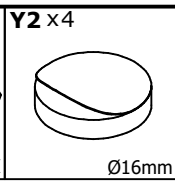
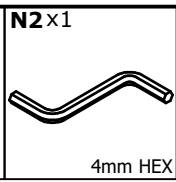
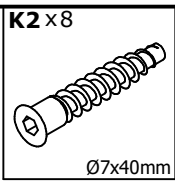
5



A1



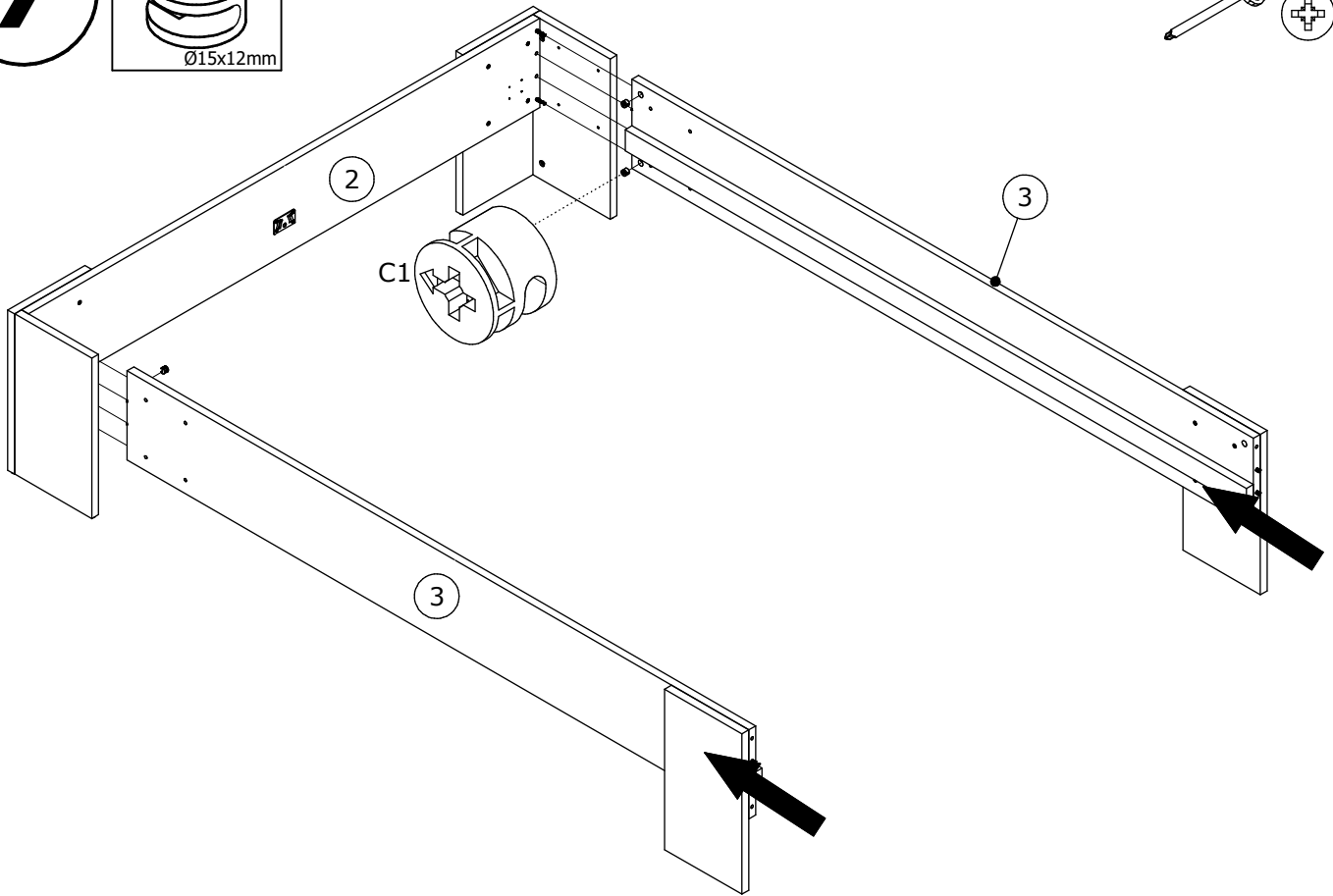
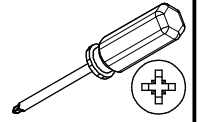
6



Y2

7

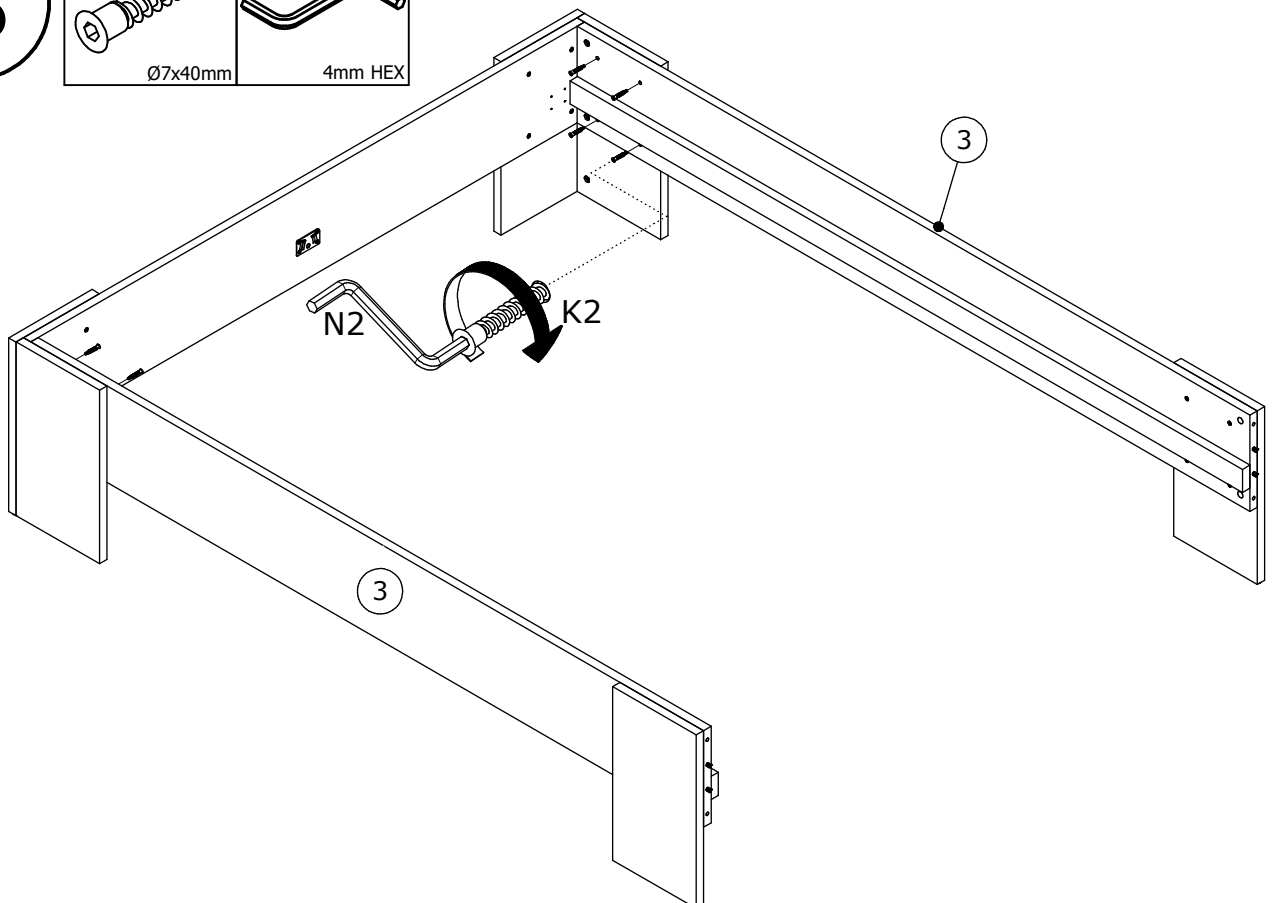
C1 x4
Ø15x12mm



8

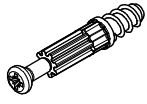
K2 x8
Ø7x40mm

N2 x1
4mm HEX



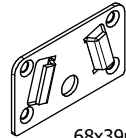
9

B1 x4



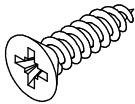
Ø5x38mm

R4-bx1

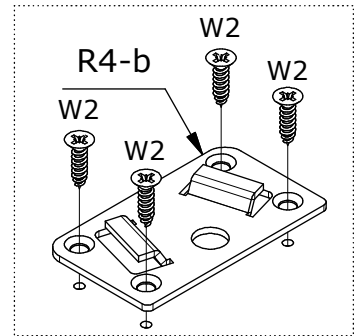
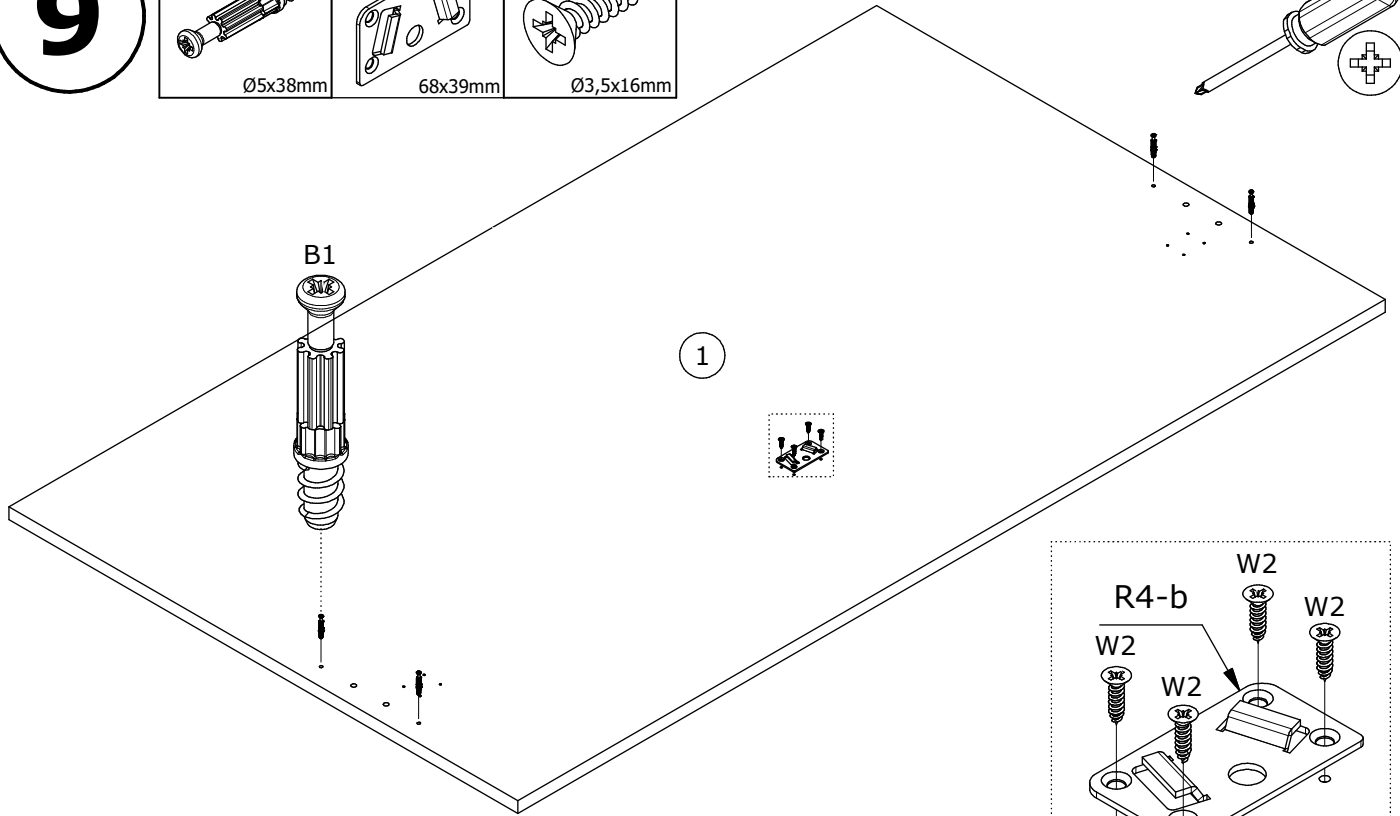
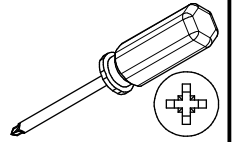


68x39mm

W2 x4



Ø3,5x16mm

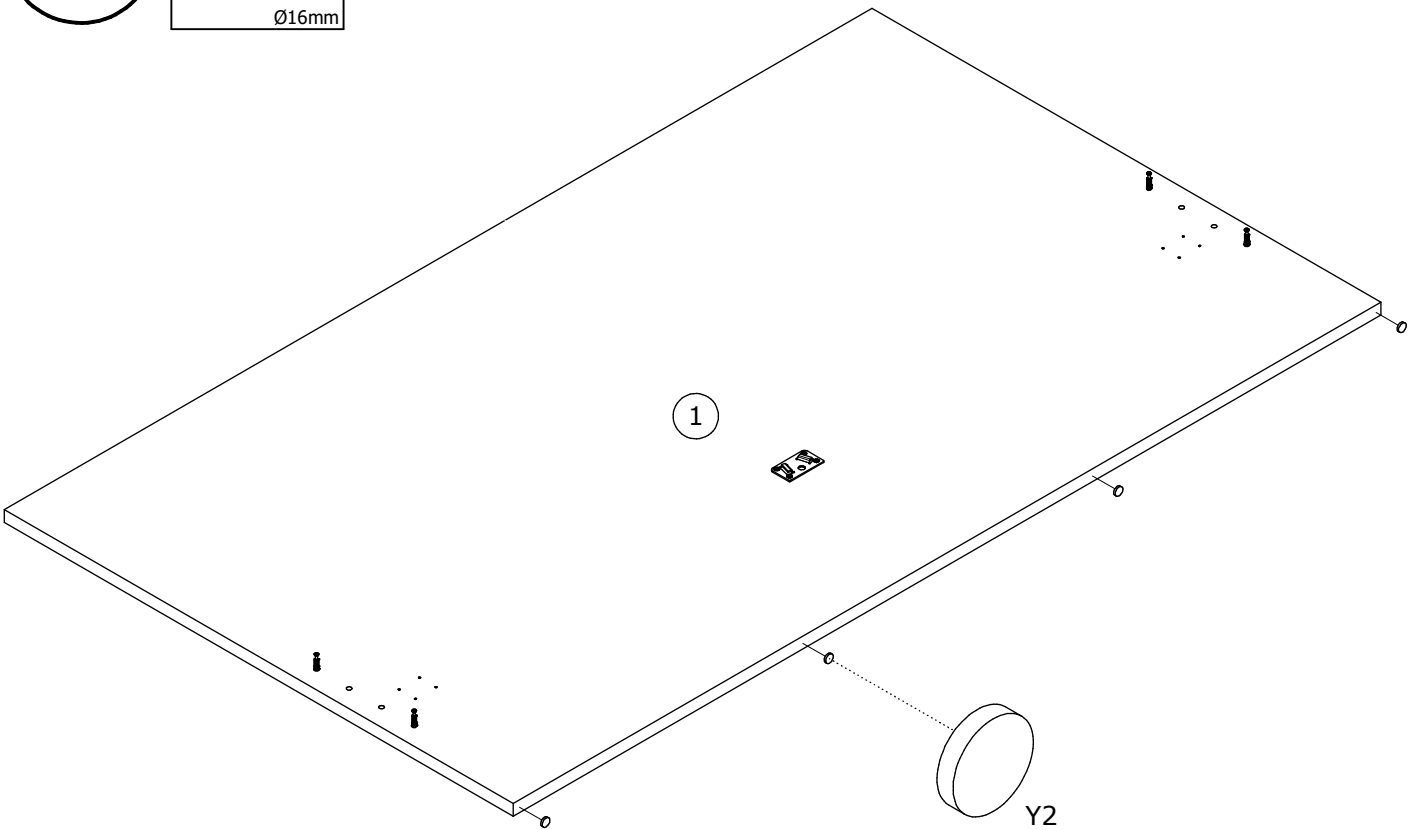


10

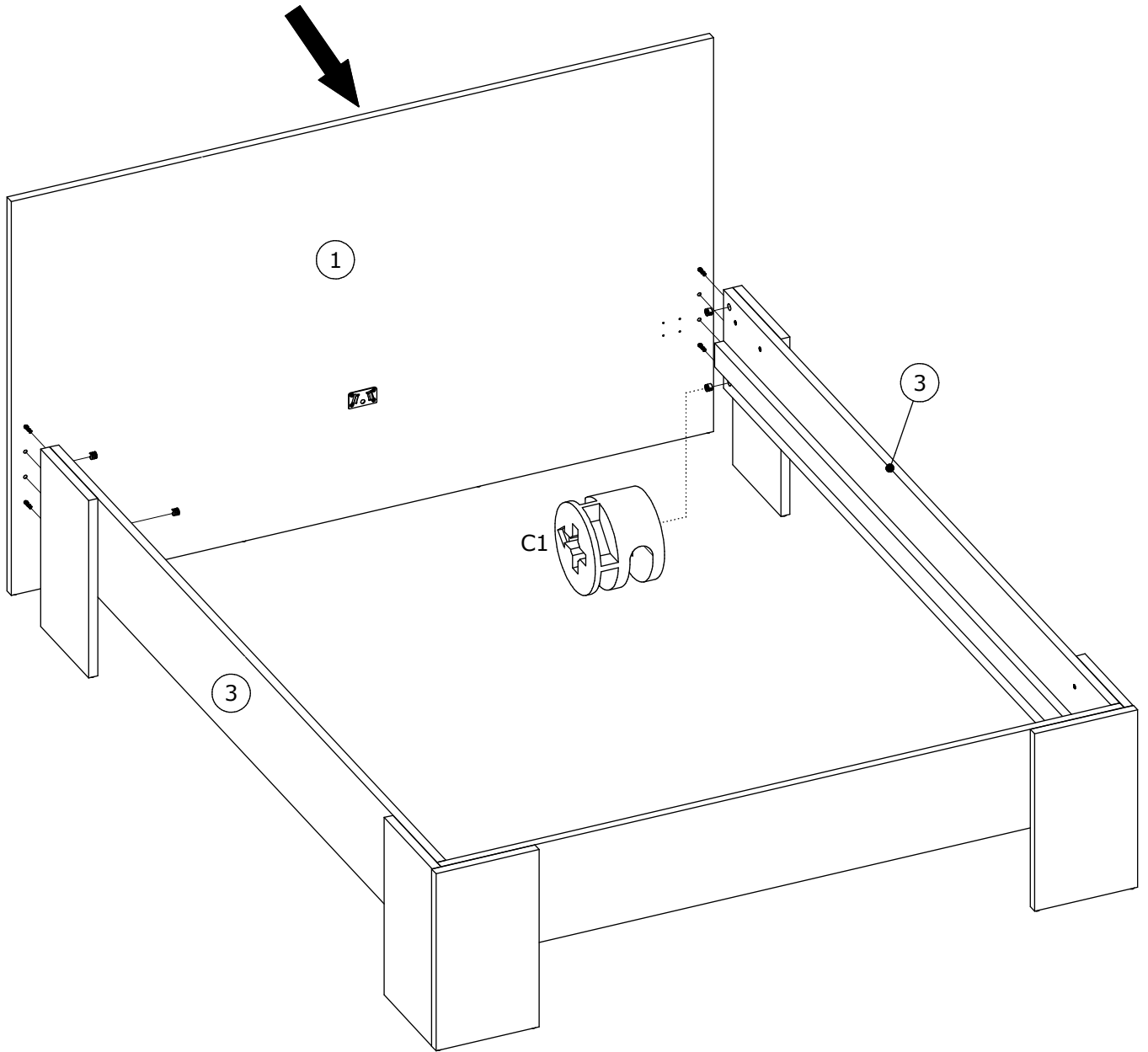
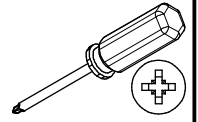
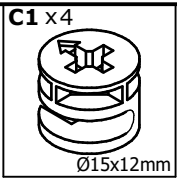
Y2 x4



Ø16mm

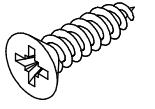


11



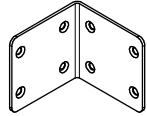
12

W2x32

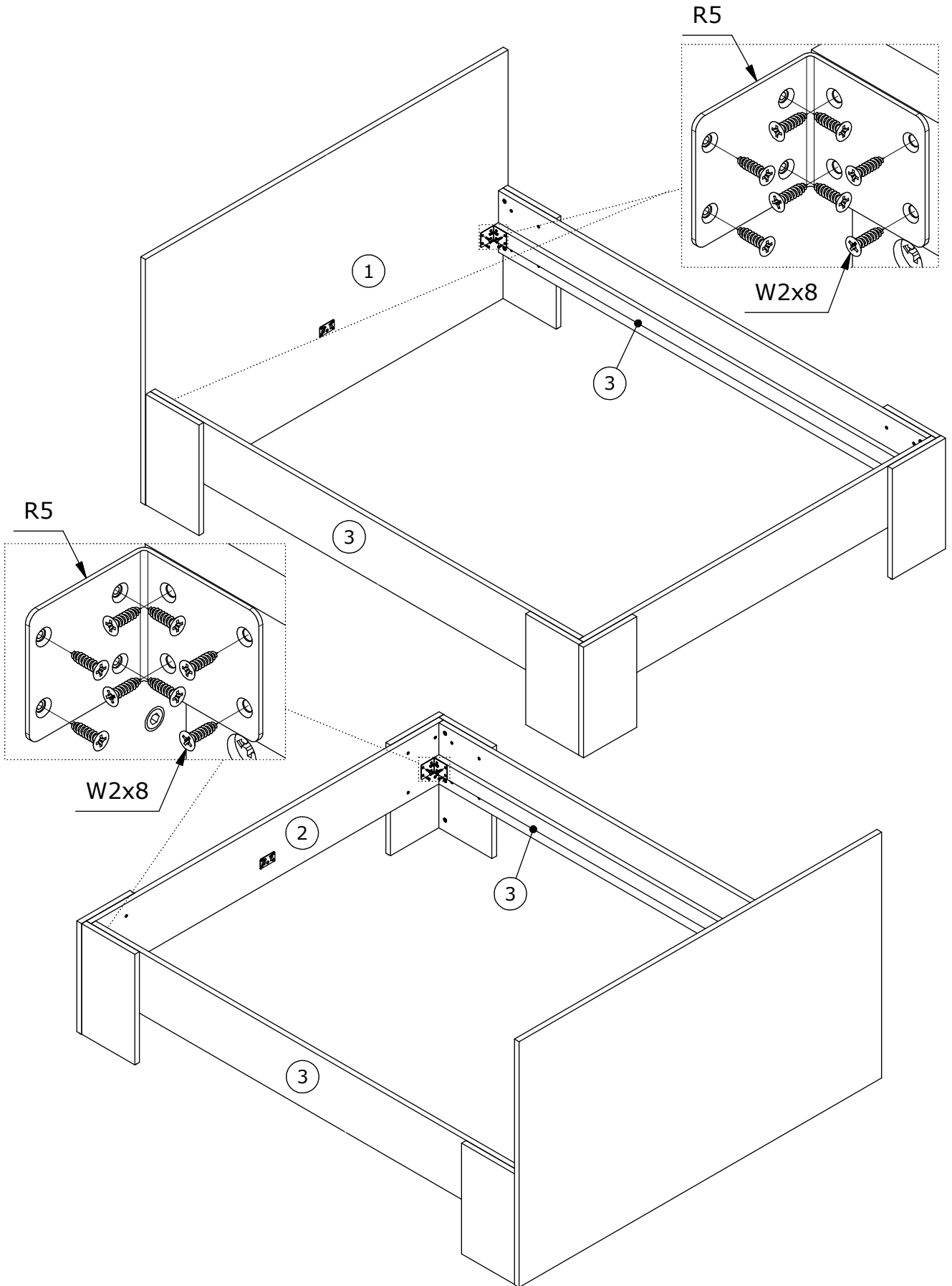
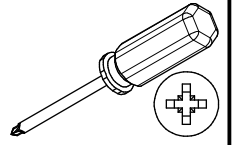


Ø3,5x16mm

R5x4

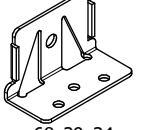


60x62mm



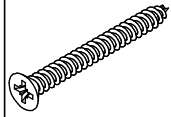
13

R4-a x2

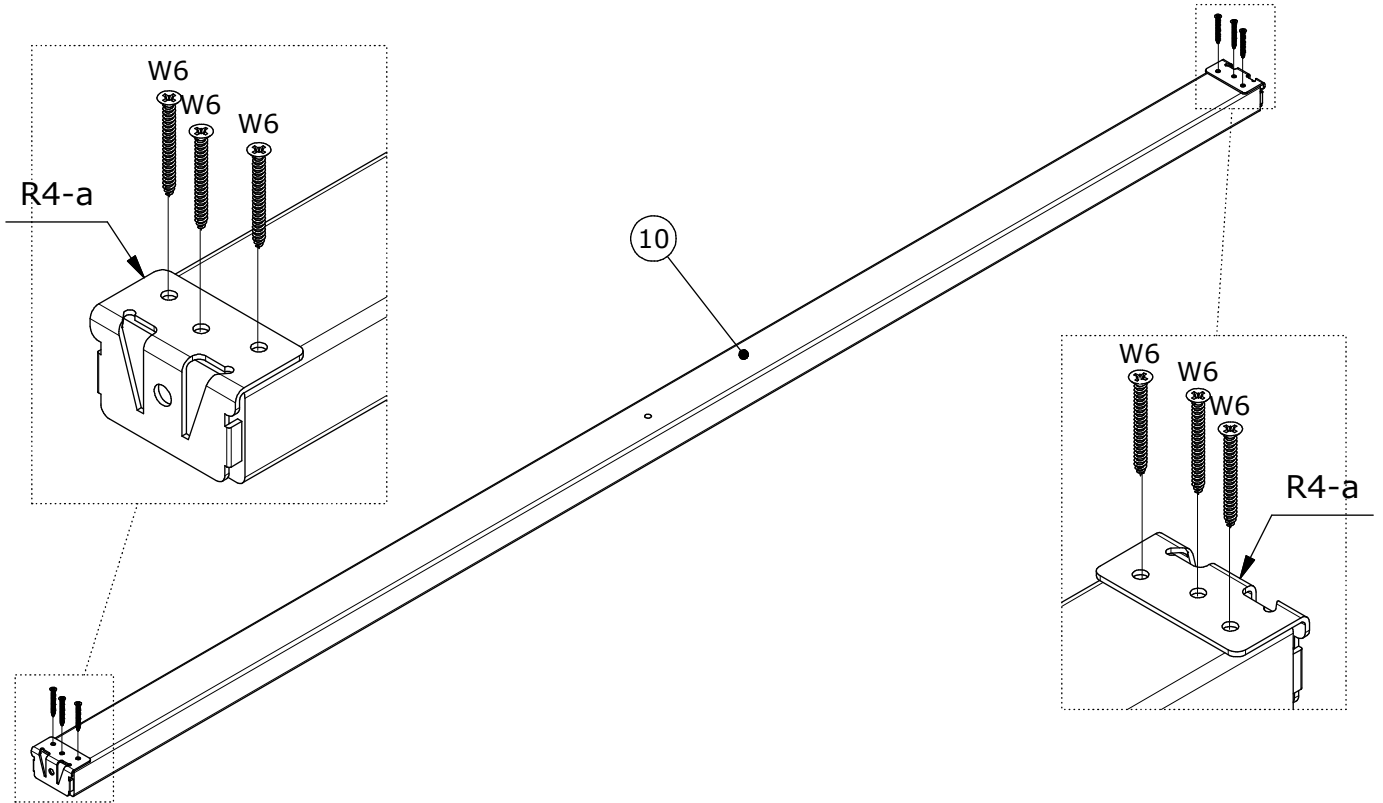
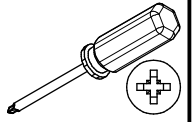


68x39x34mm

W6 x6

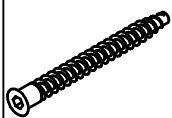


Ø4x40mm



14

K4 x1



Ø7x70mm

L9 x1

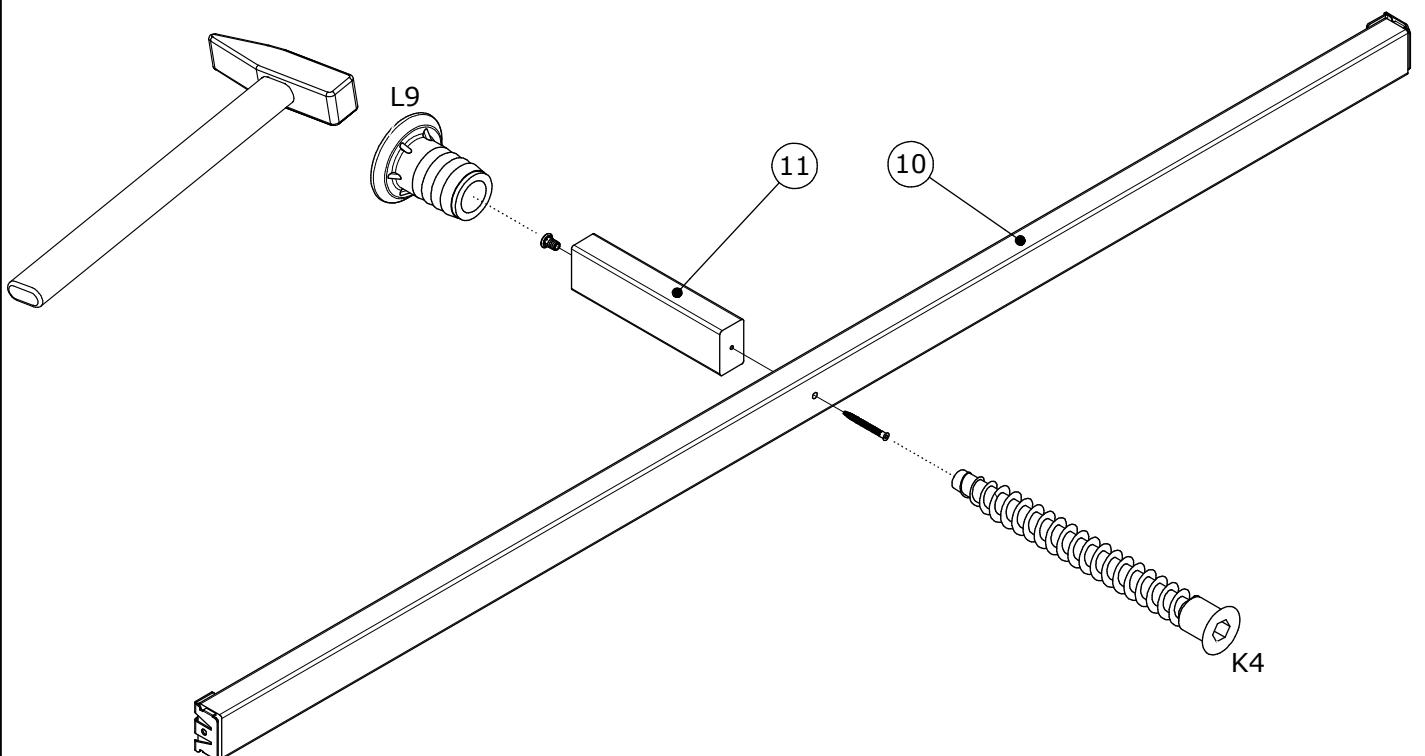
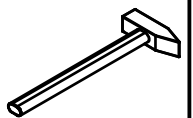


M8x19mm

N2 x1

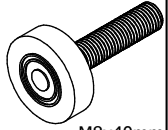


4mm HEX



15

L10x1

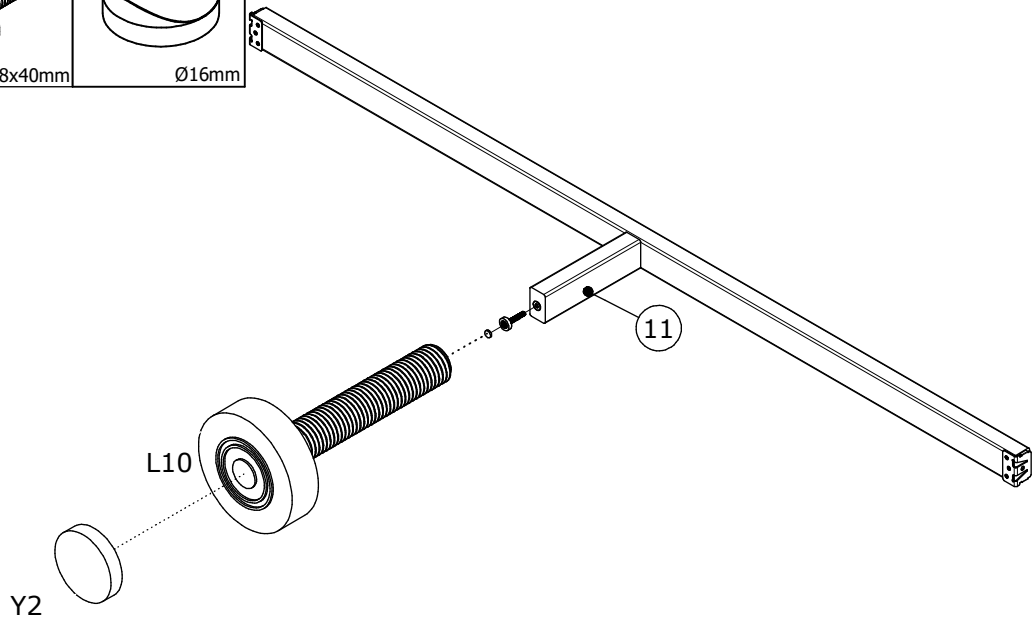


M8x40mm

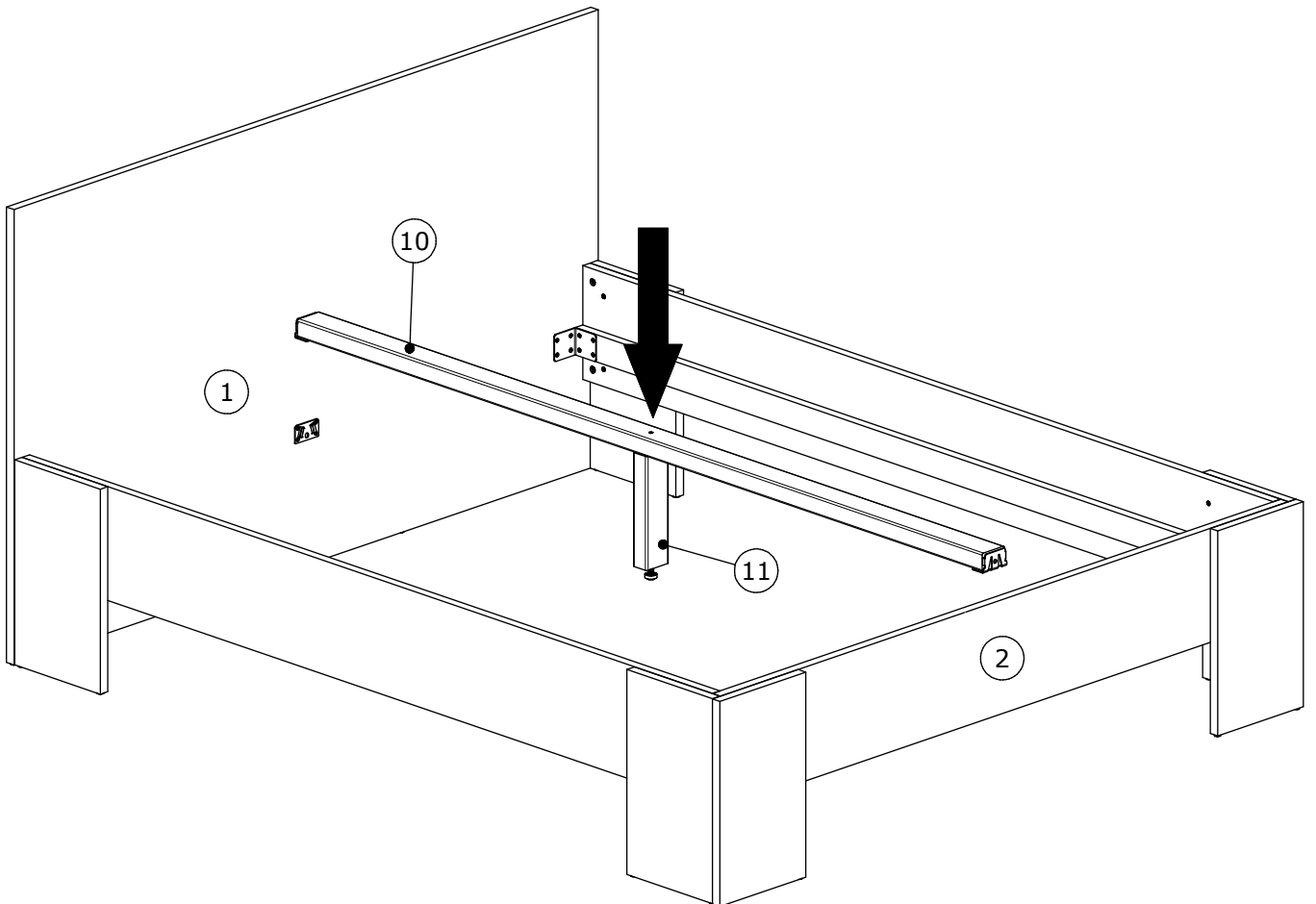
Y2 x1



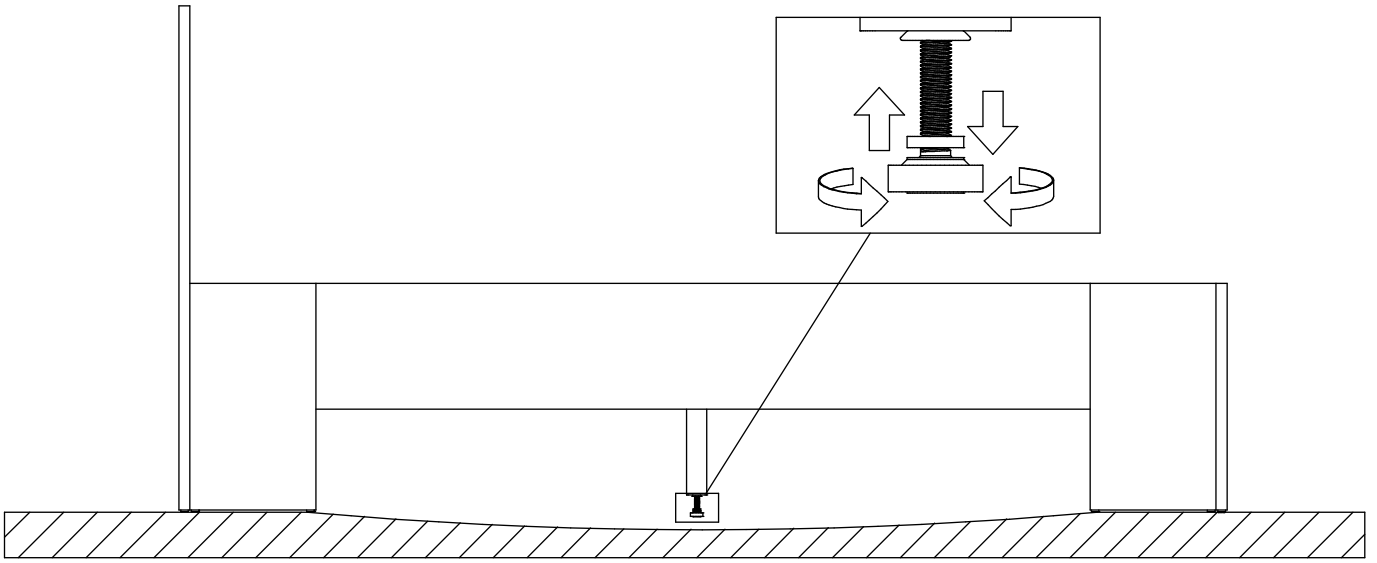
Ø16mm



16



17



18

