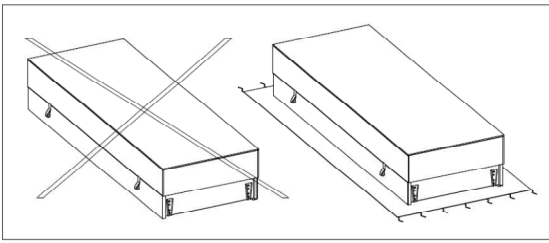
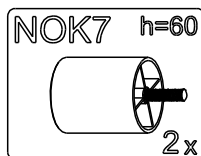
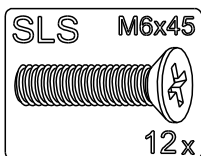
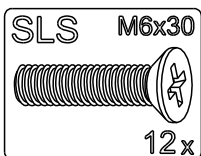
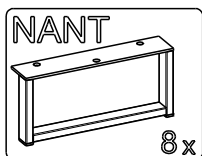
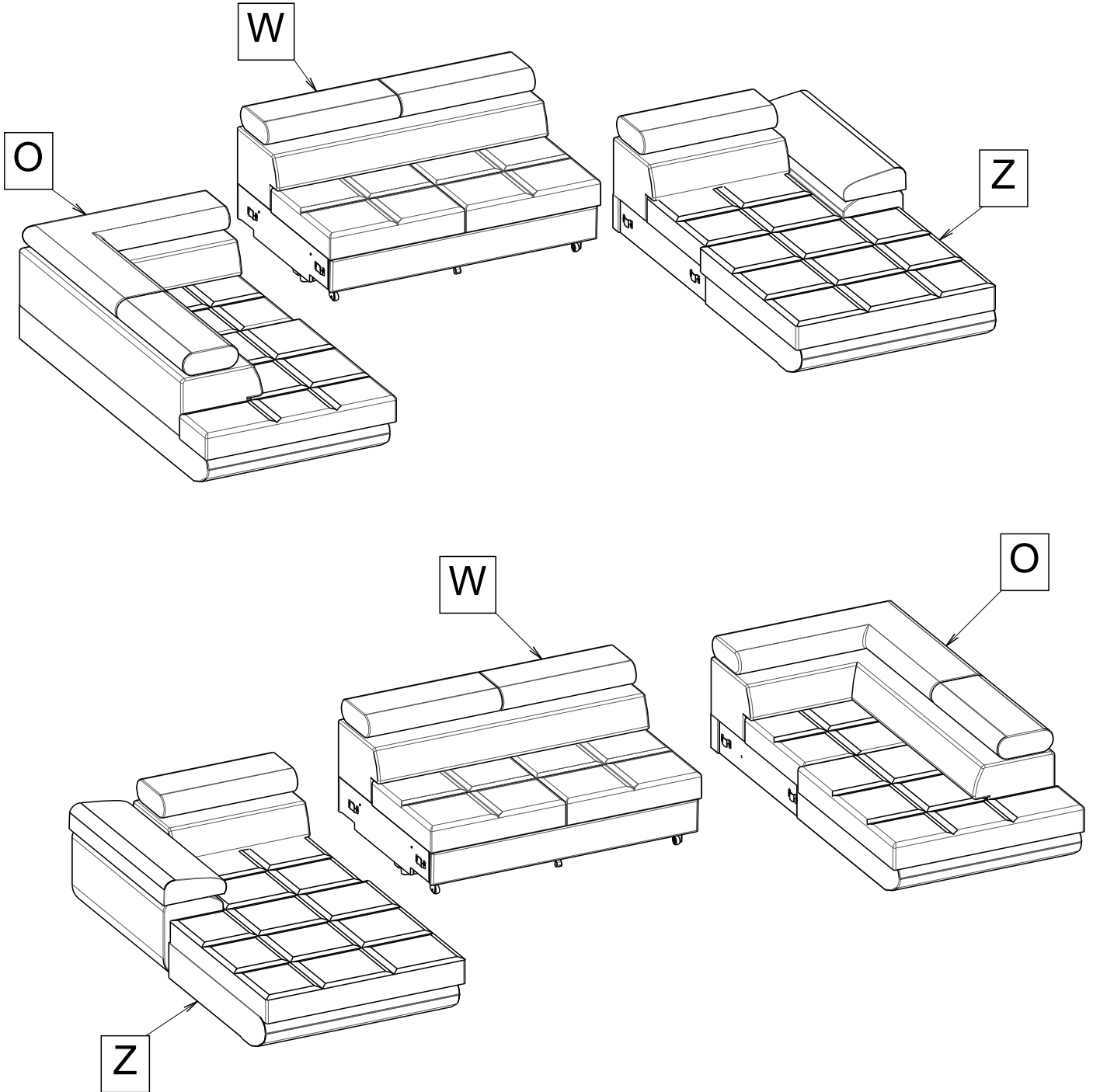


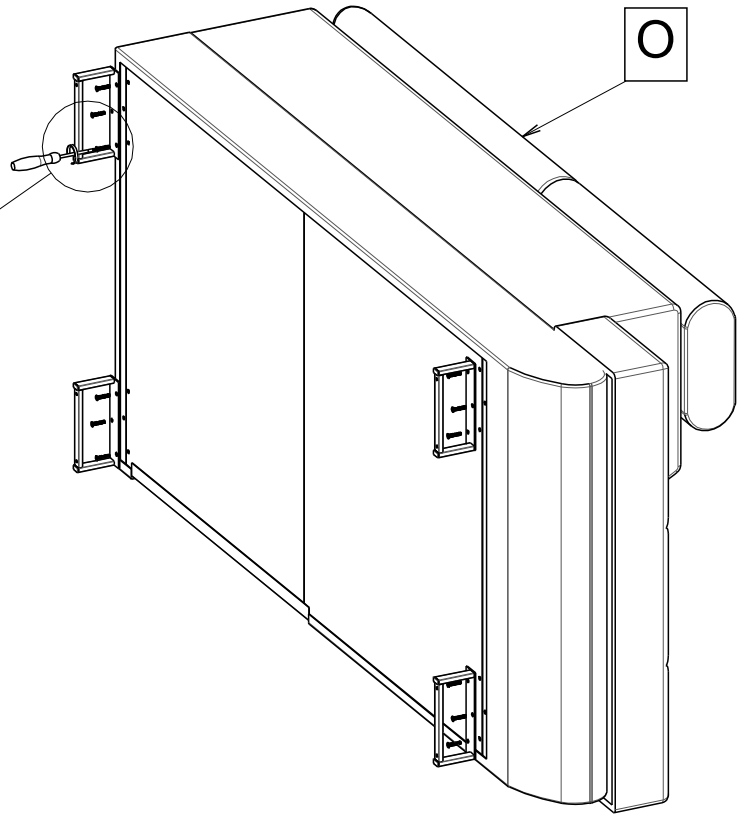
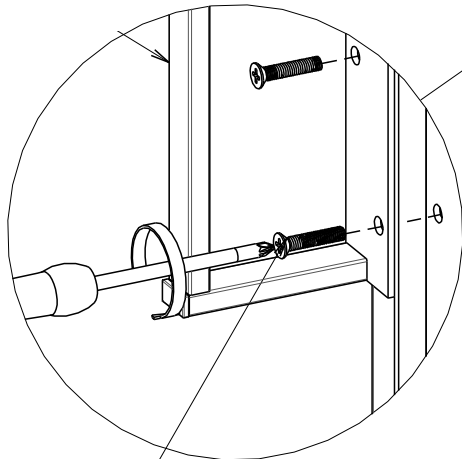
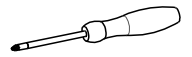
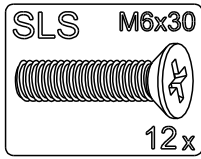
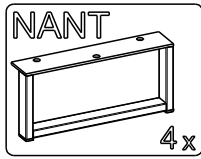
40min 1



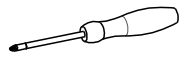
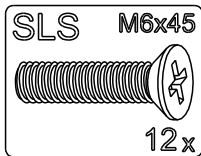
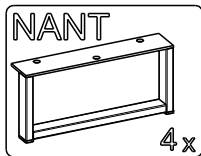
| | |
|---|----|
| O | 1x |
| W | 1x |
| Z | 1x |



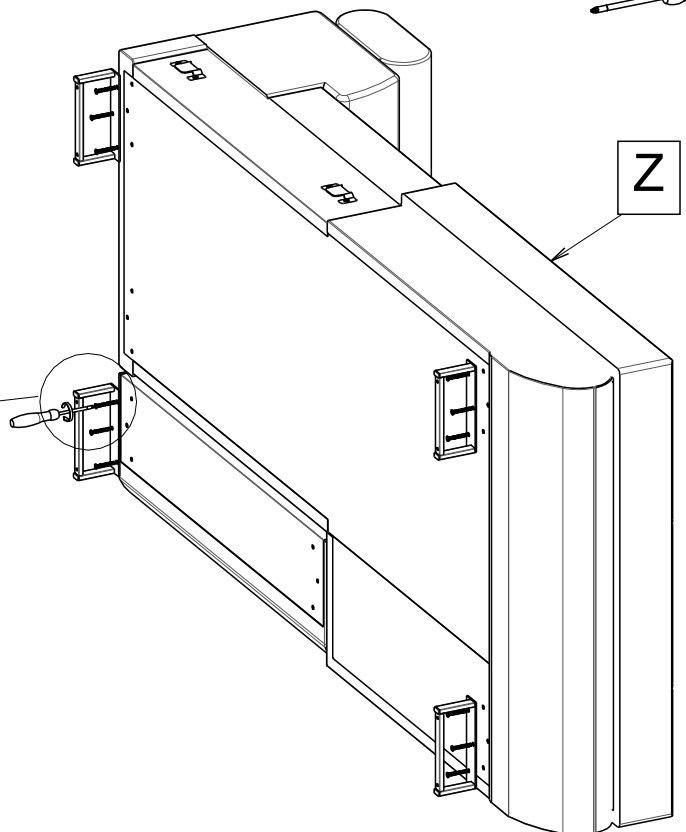
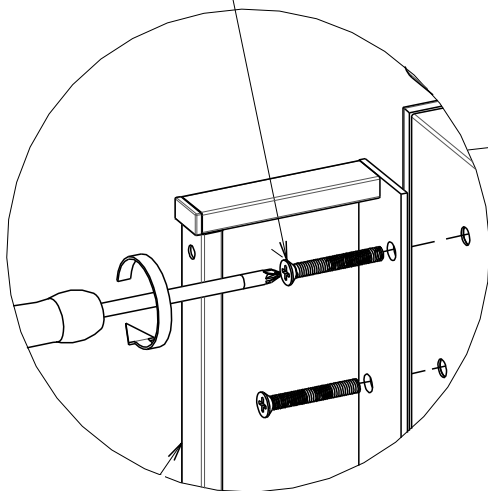
1



2

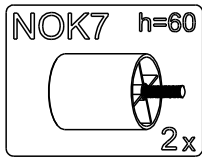


SLS M6x45

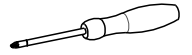
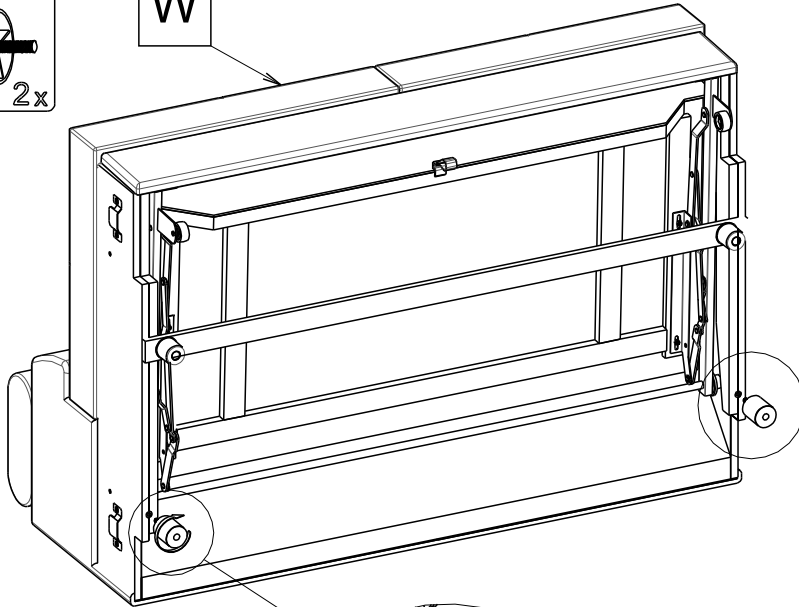


3

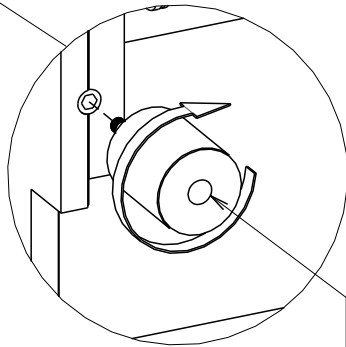
3



W

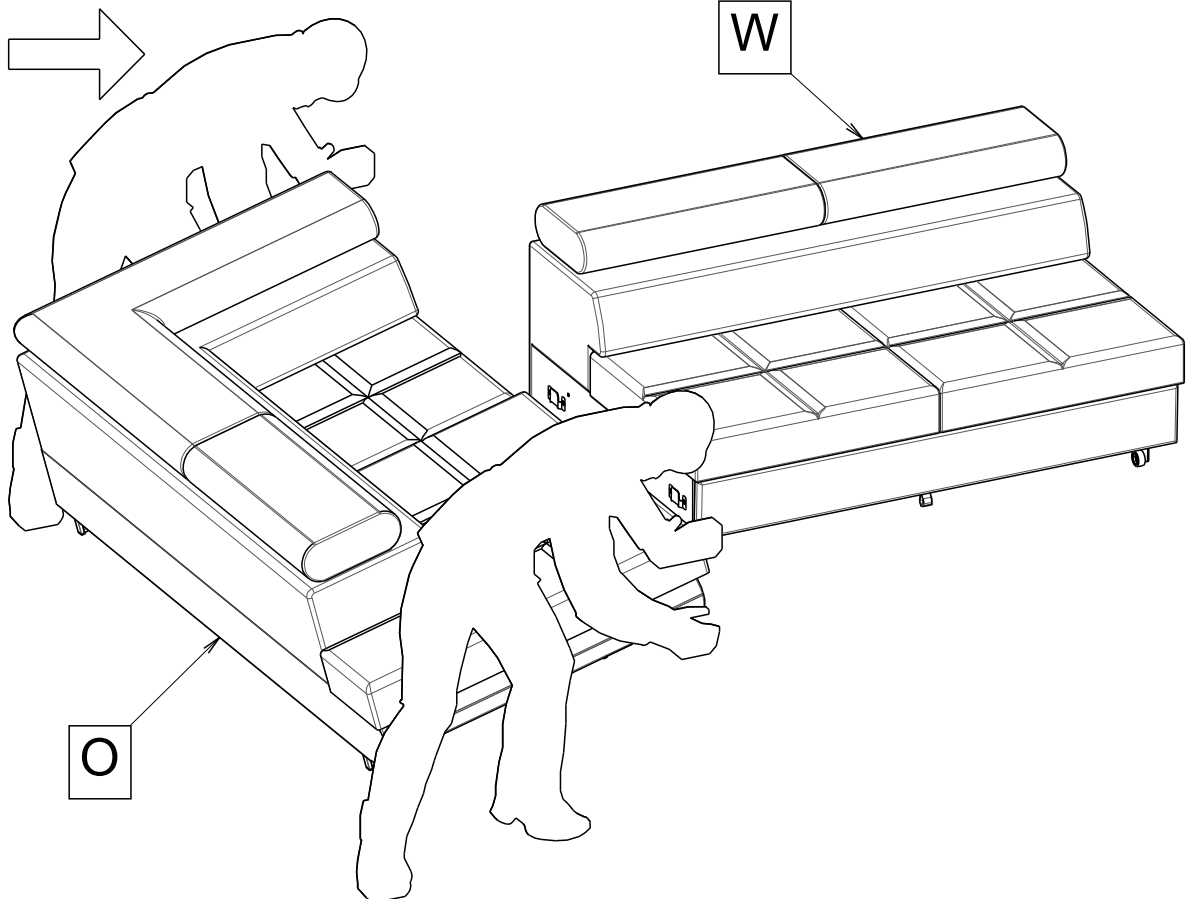


2x

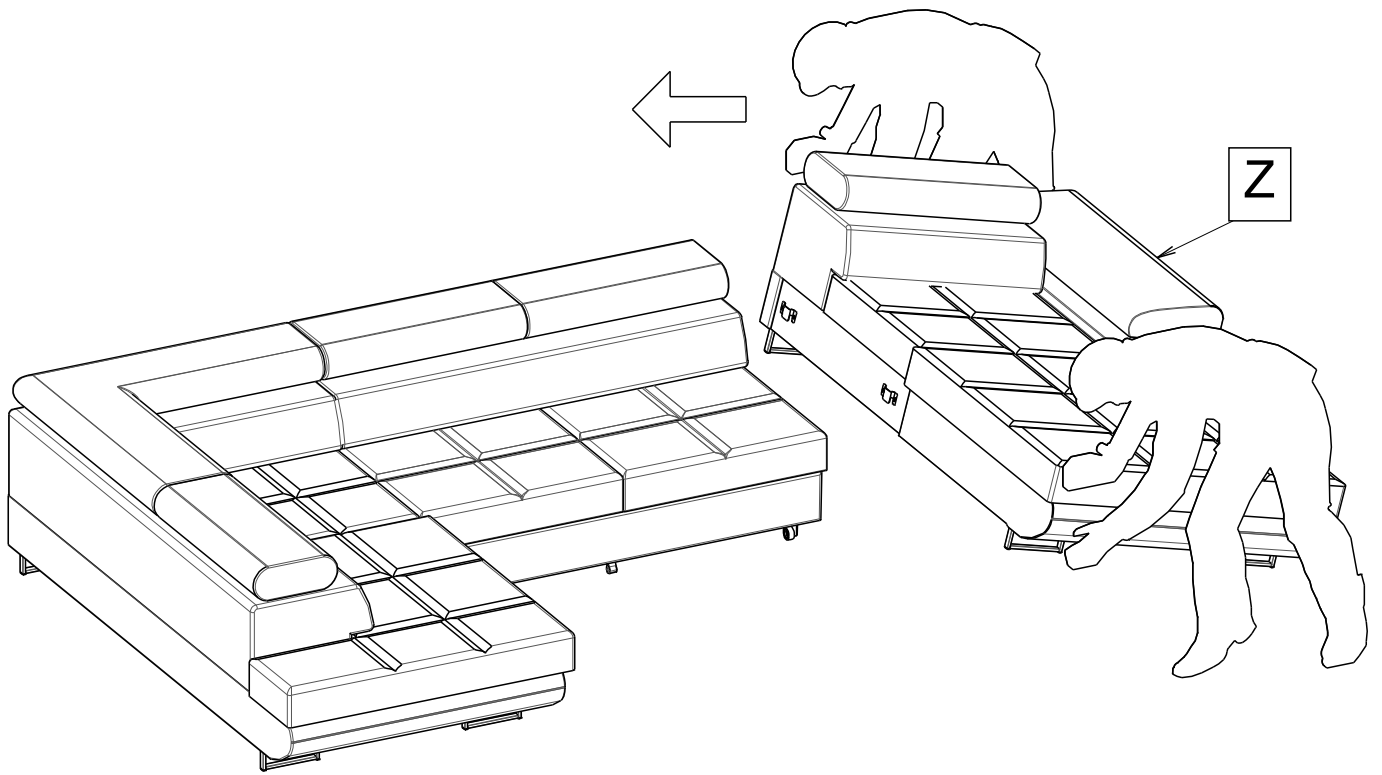


NOK7

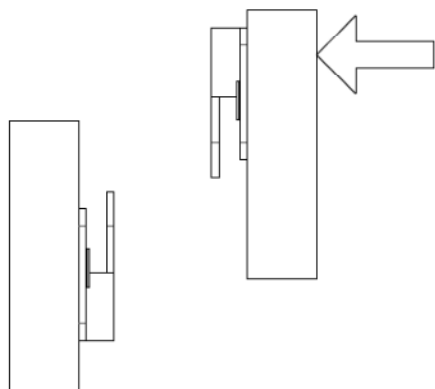
4



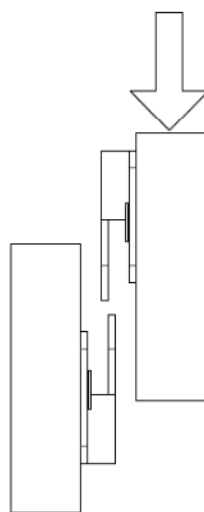
5



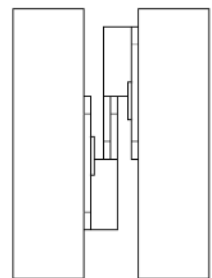
1)



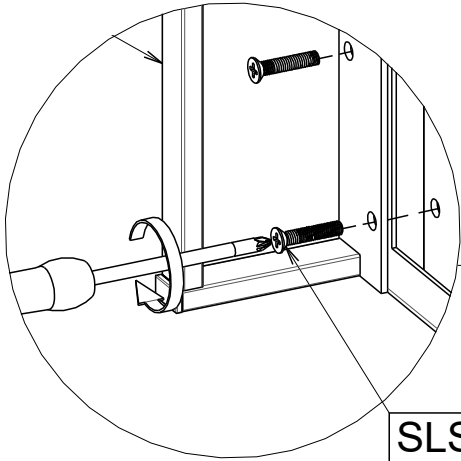
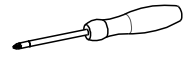
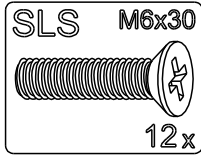
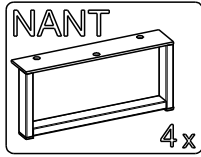
2)



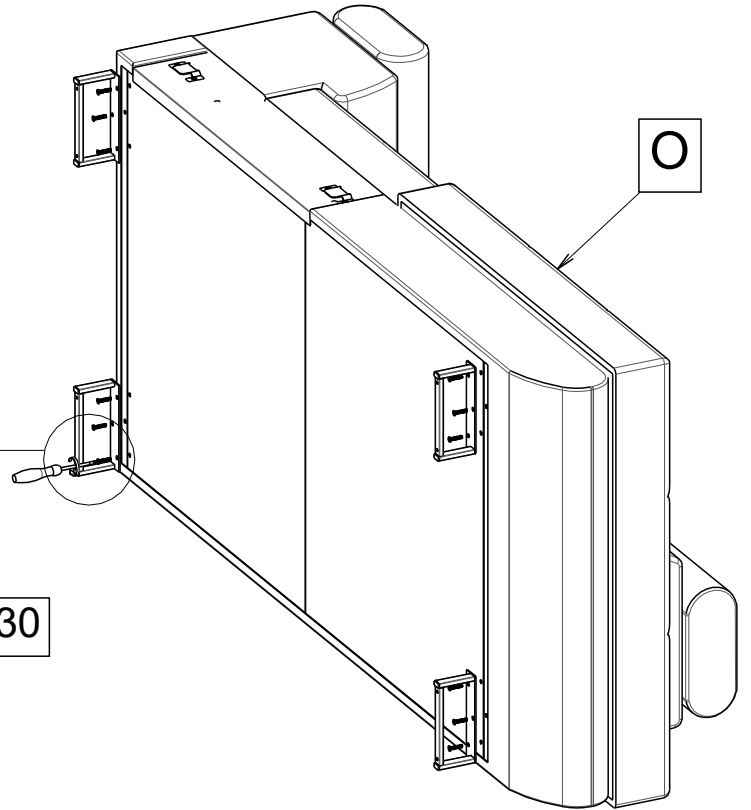
3)



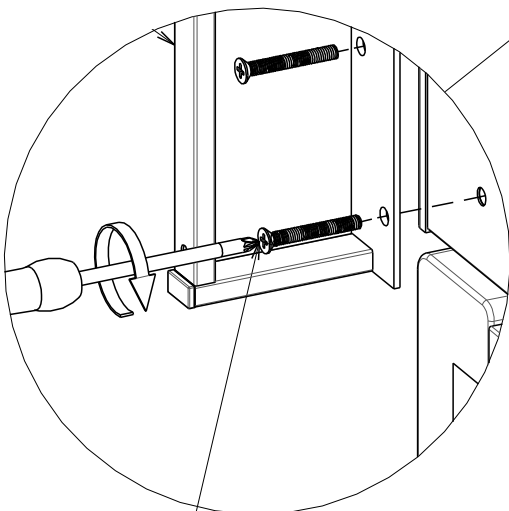
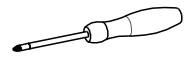
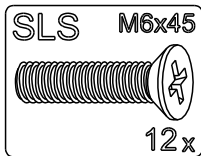
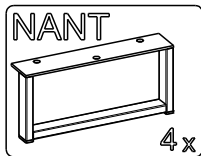
1



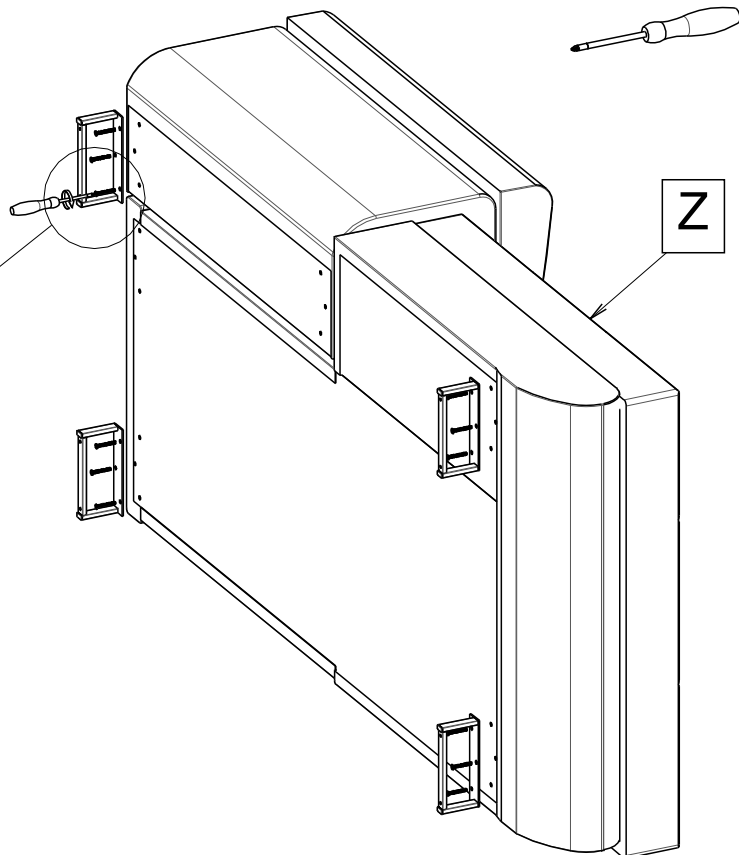
SLS M6x30



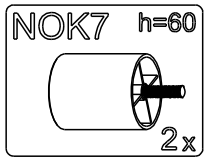
2



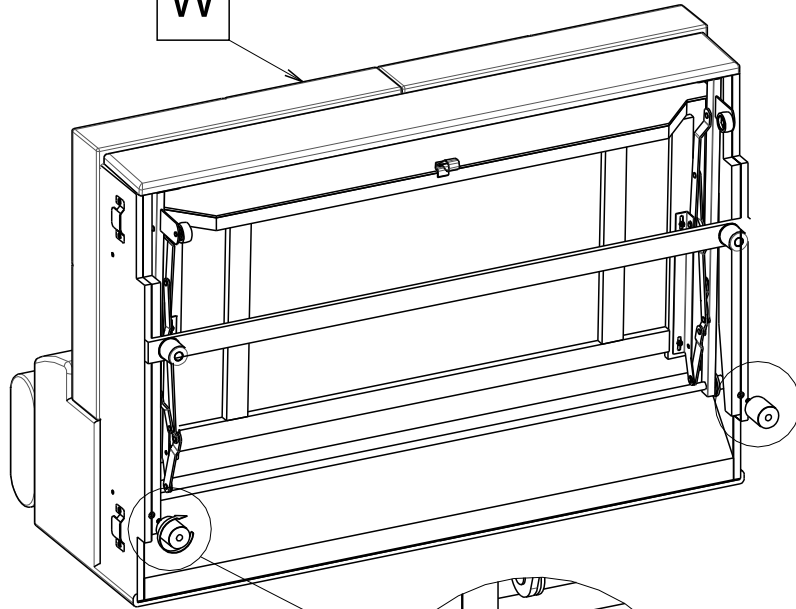
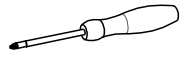
SLS M6x45



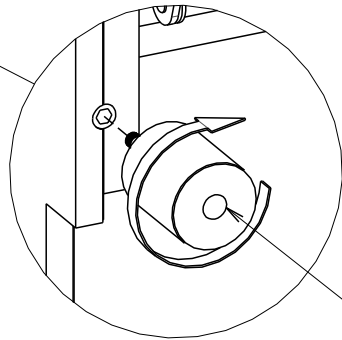
3



W



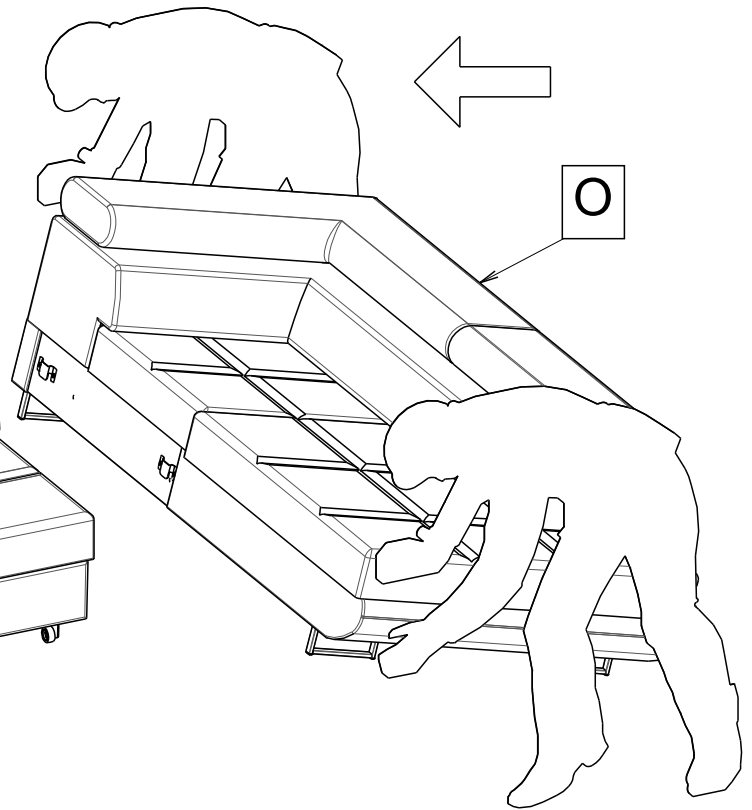
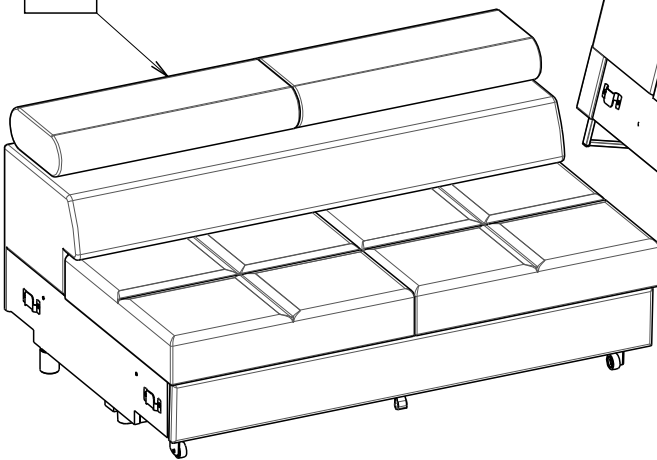
2x



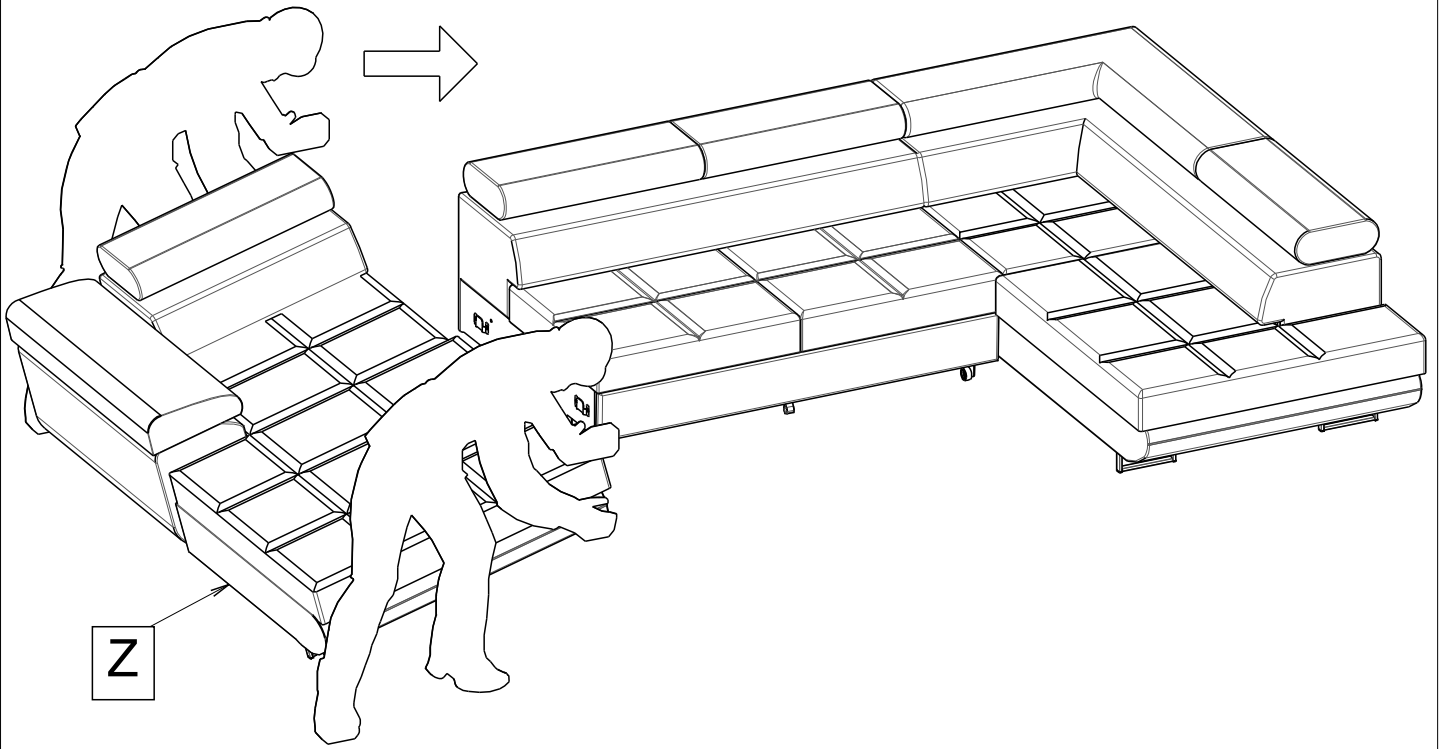
NOK7

4

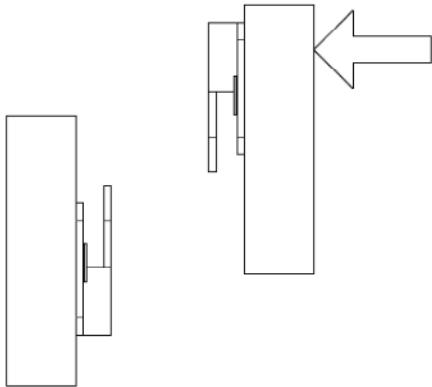
W



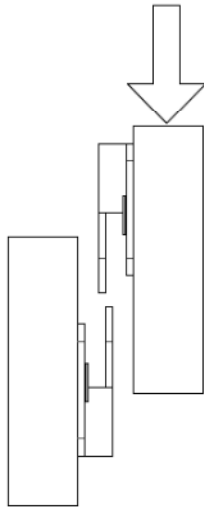
5



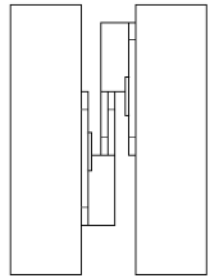
1)



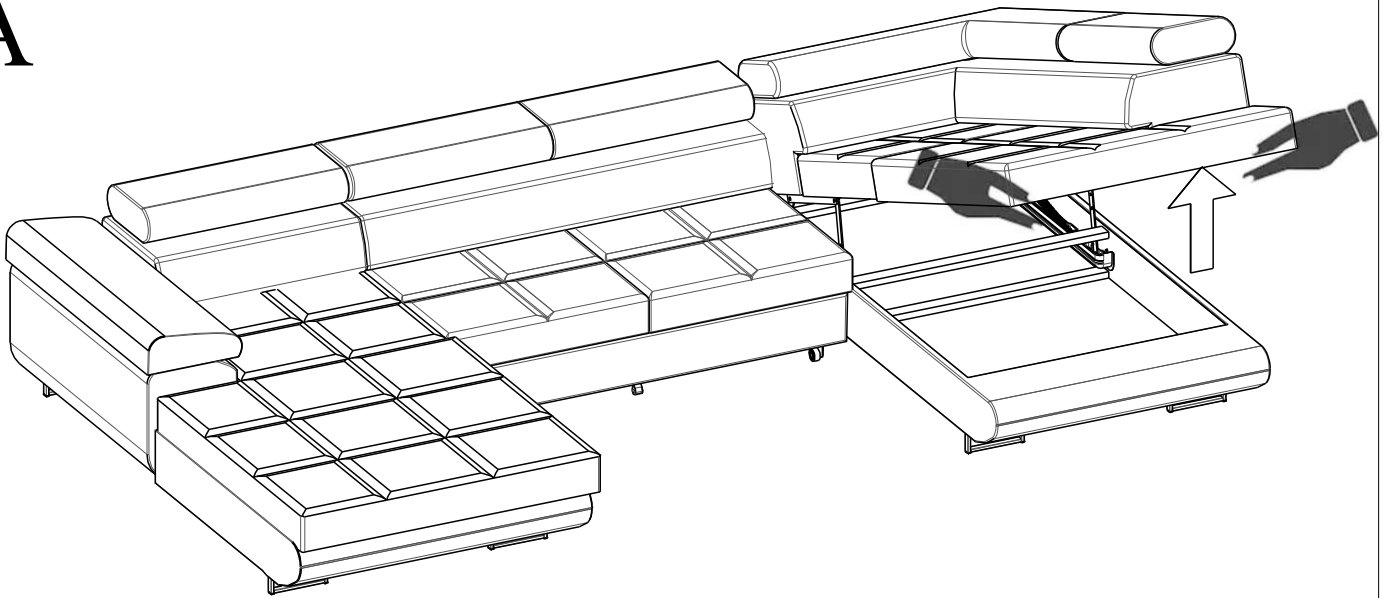
2)



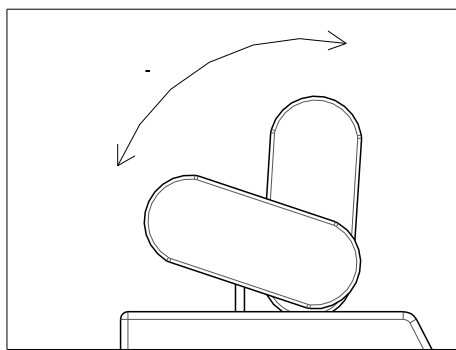
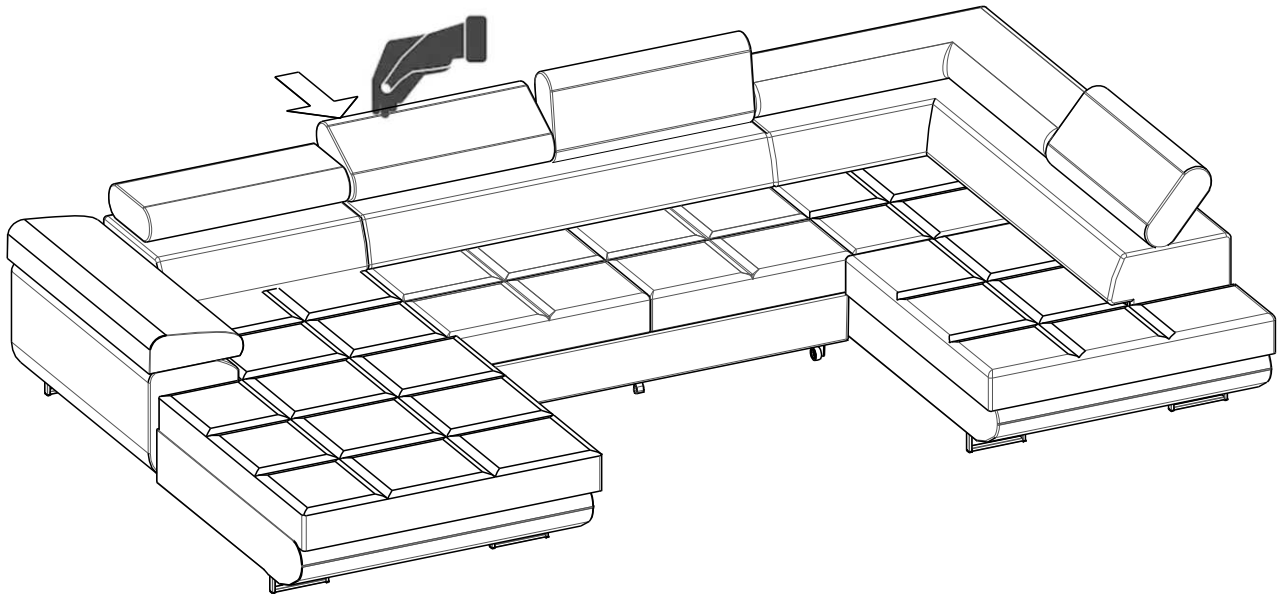
3)



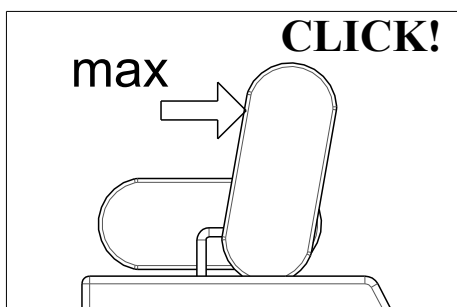
A



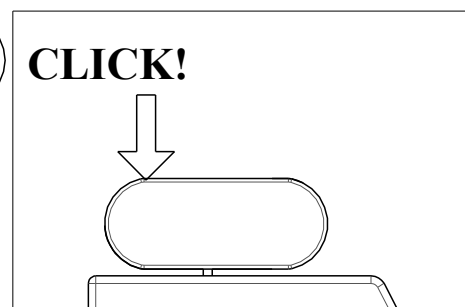
B



1



2



C

