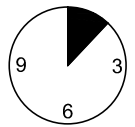
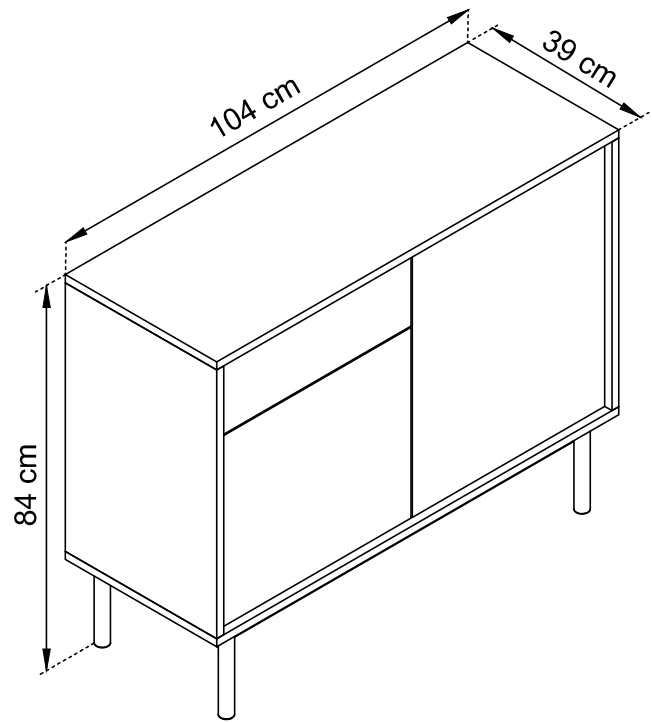
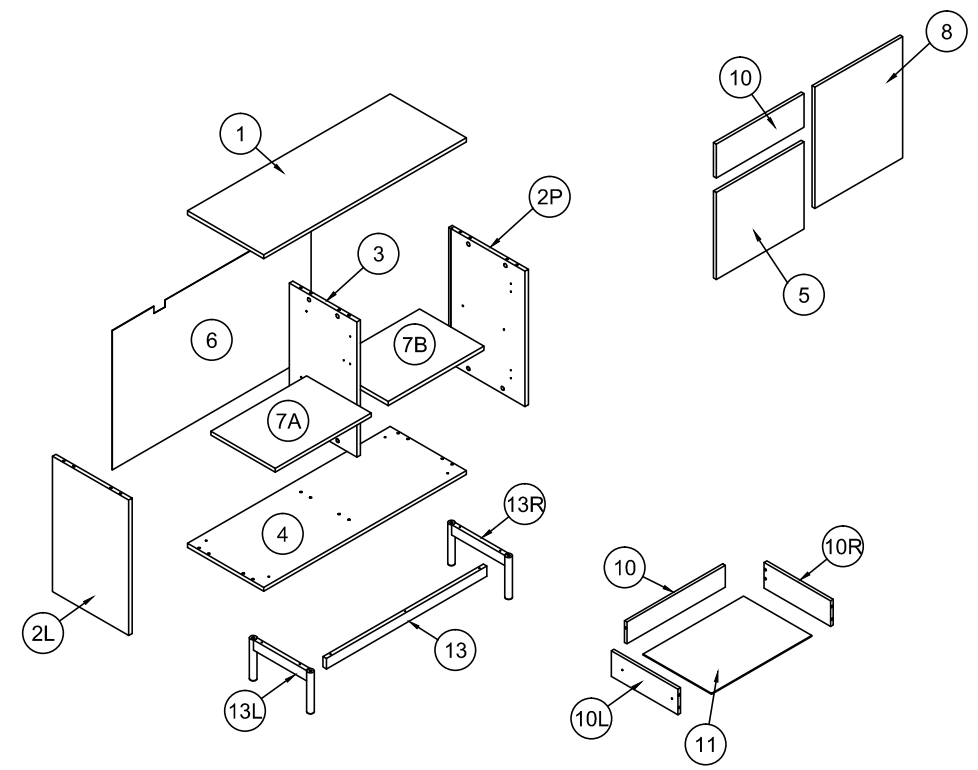


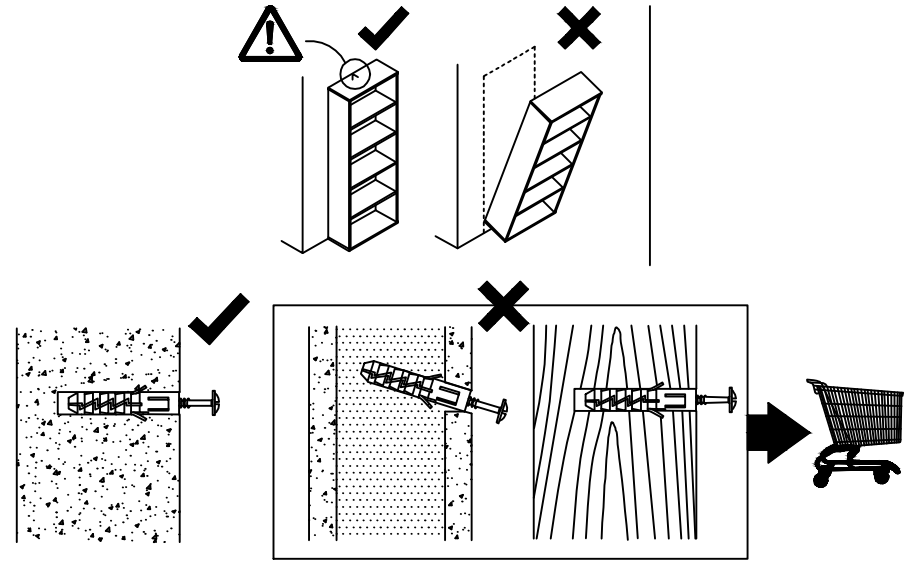
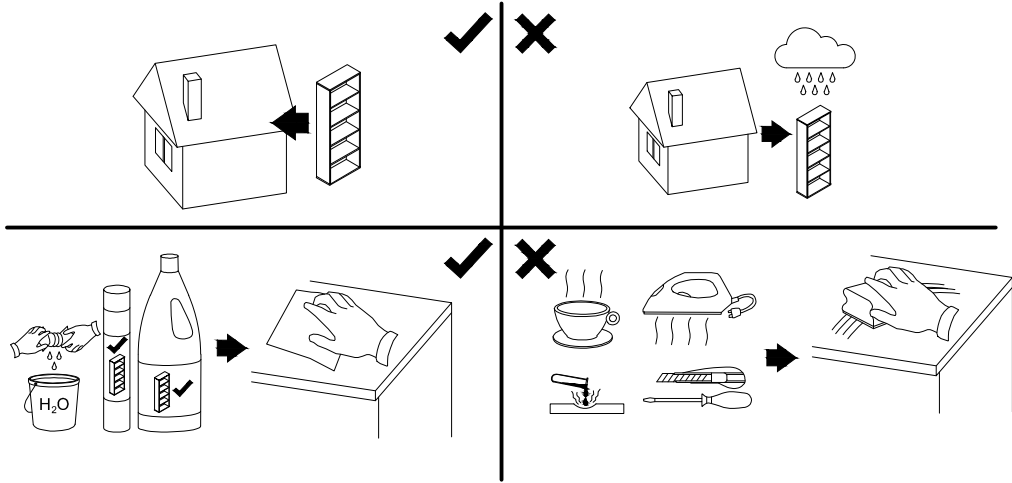
BK 104

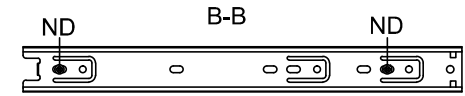
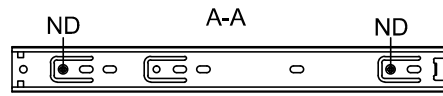
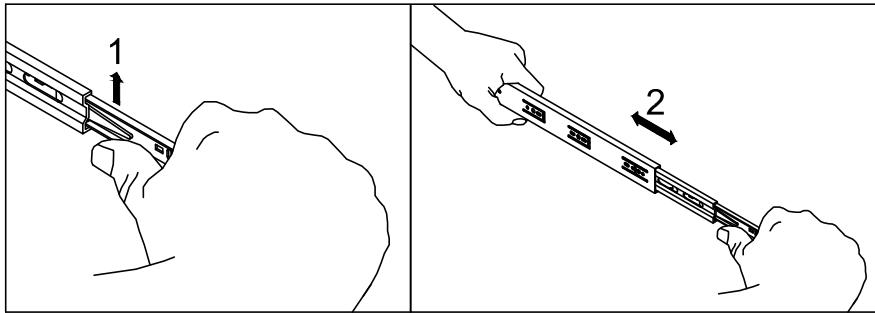


50 min.

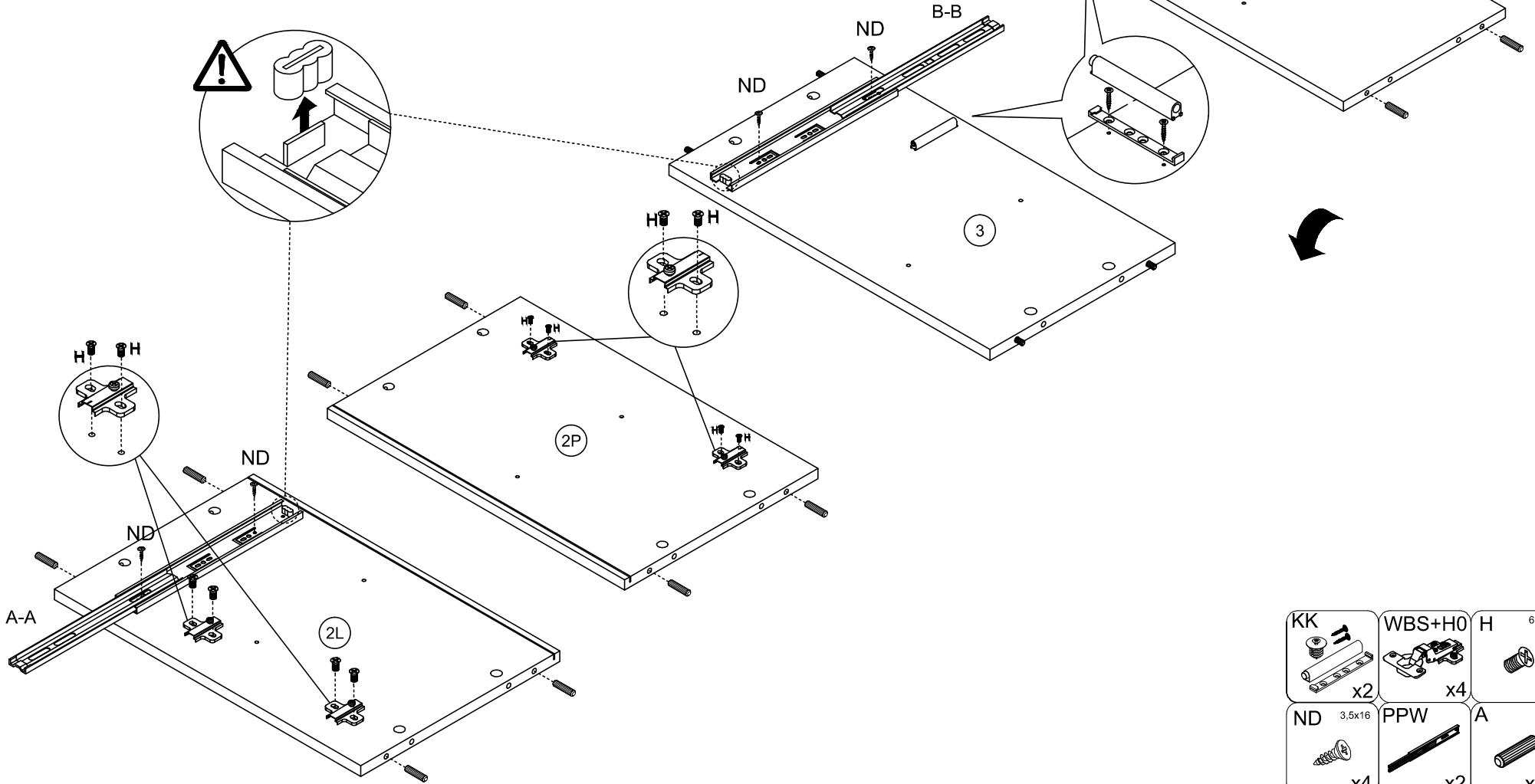


WBS+H0 x4	N 3x20 x9	HD x4	GLUE x1	TB x1	Z x12	W 4x55 x7	X x12
B x12	A 8x32 x16	TA x1	H 6,3x13 x8	C x12	PPW x2	ND 3,5x16 x13	KK x3
						ZZ x8	V 3x13 x6

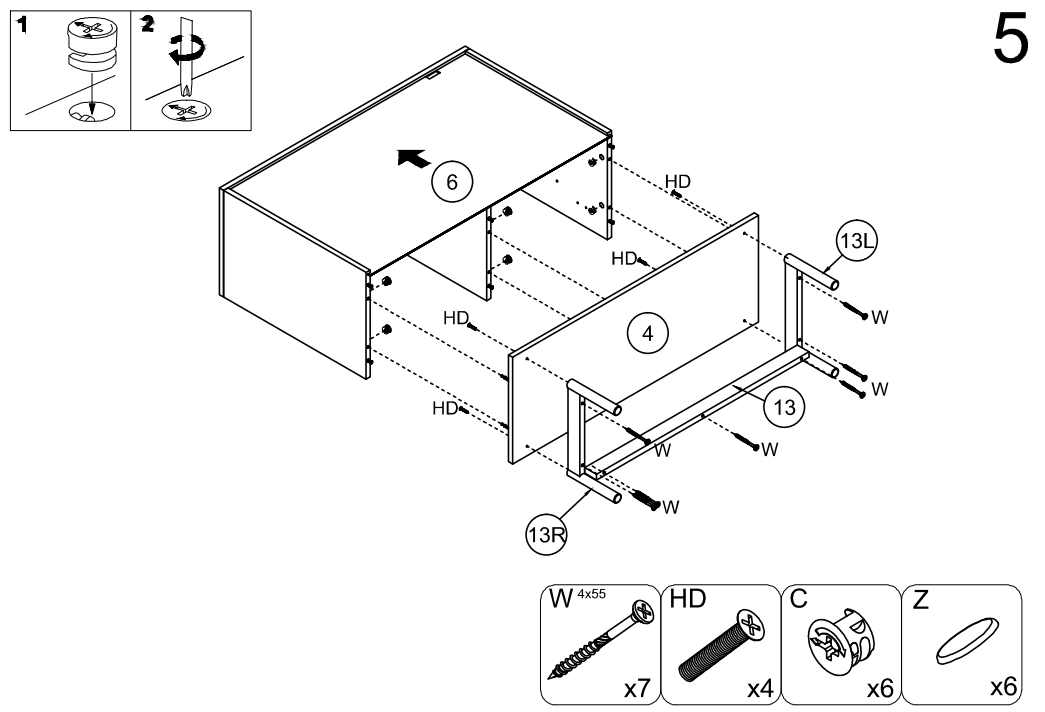
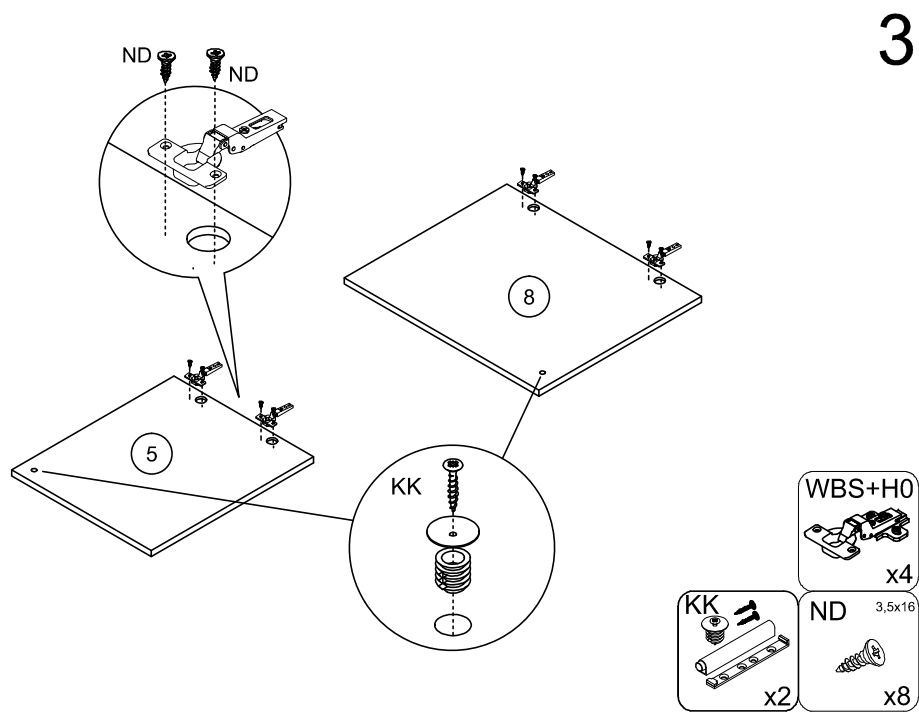
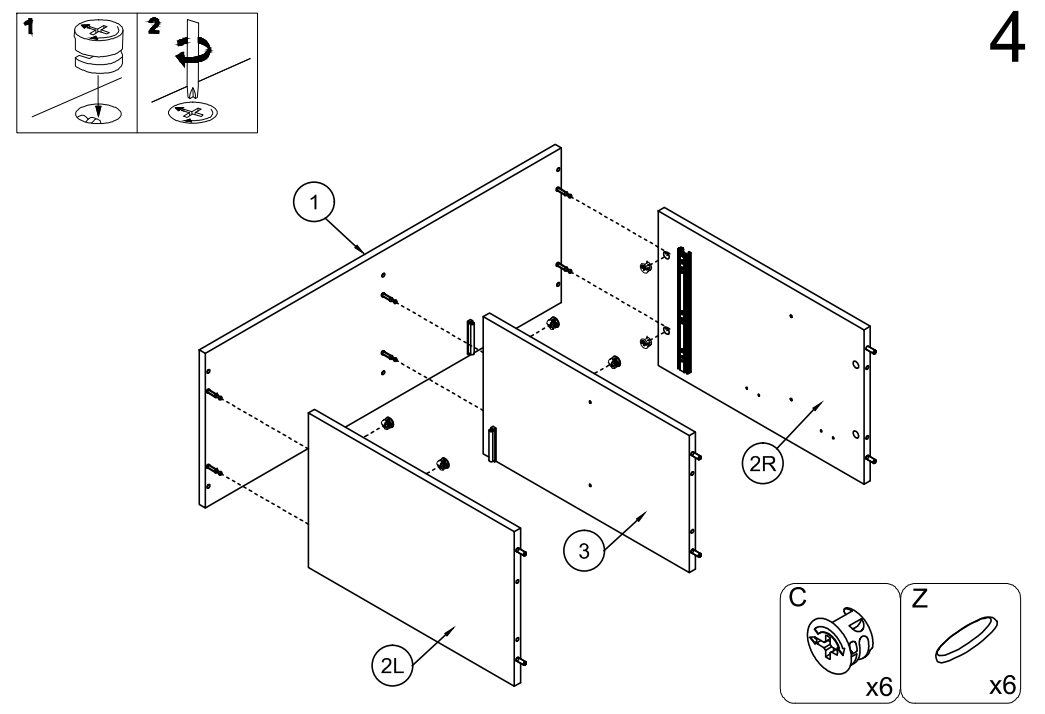
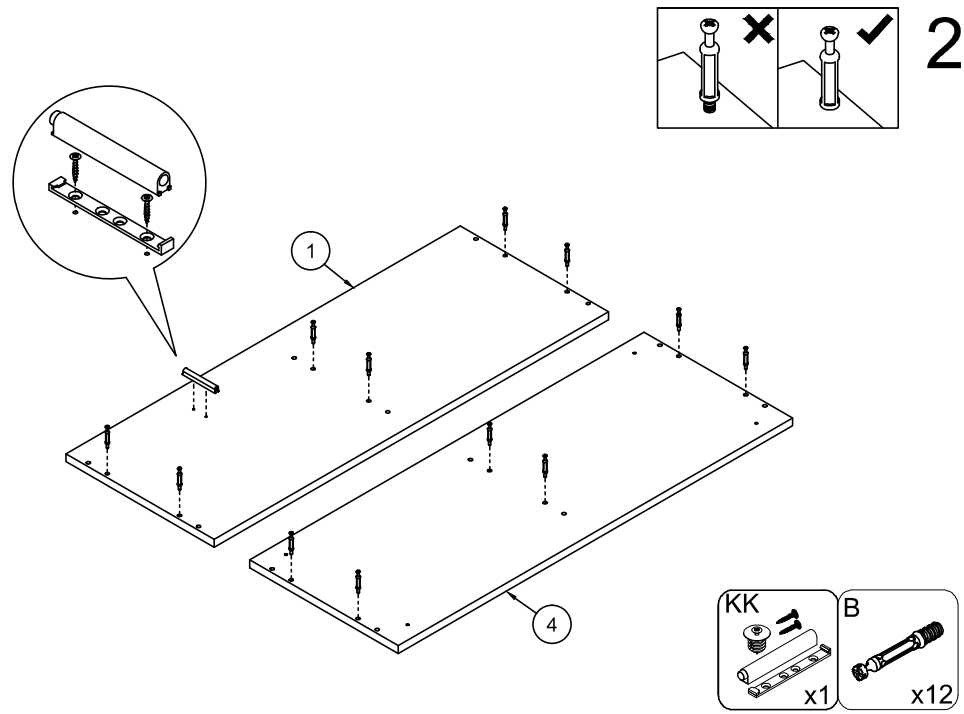




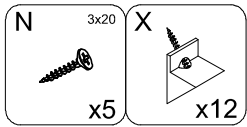
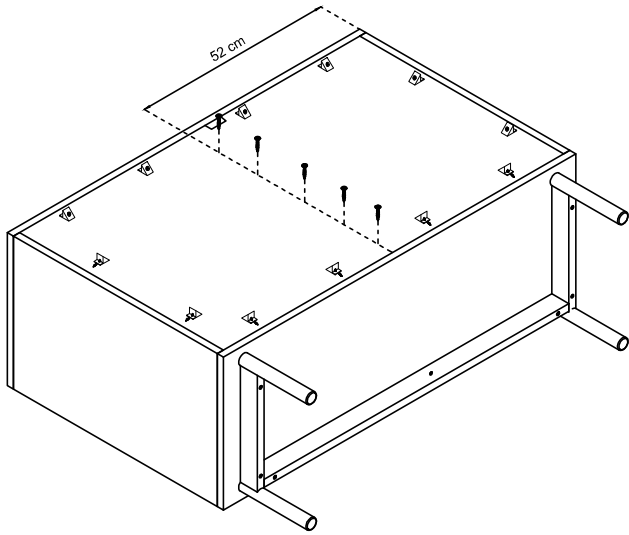
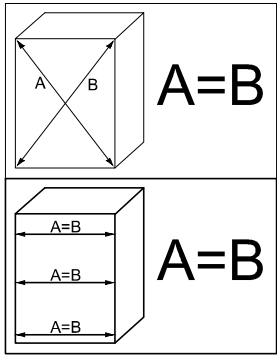
1



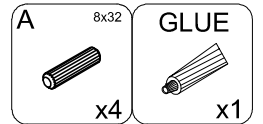
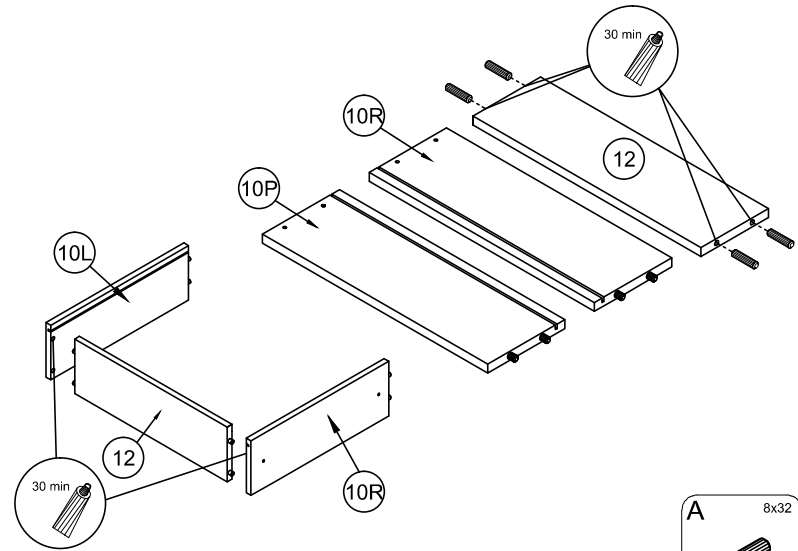
 KK x2	 WBS+H0 x4	 H 6,3x13 x8
 ND 3,5x16 x4	 PPW x2	 A x12



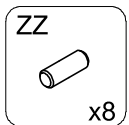
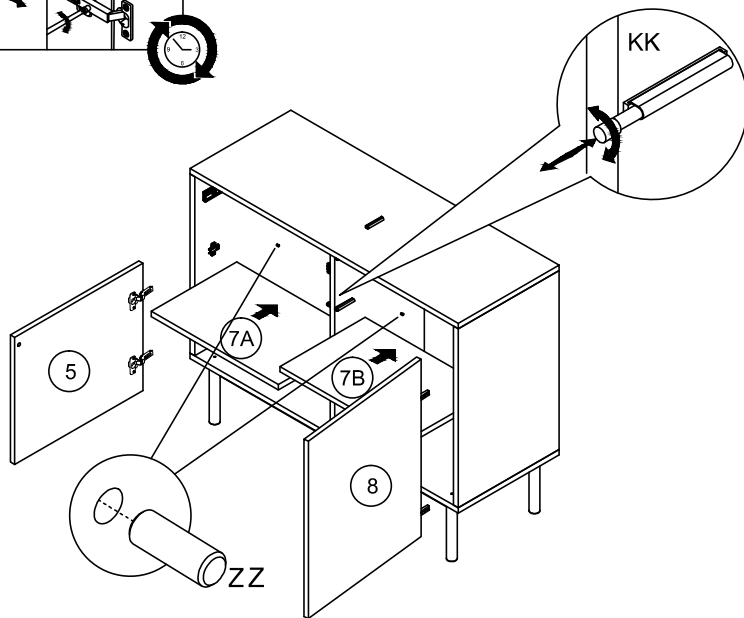
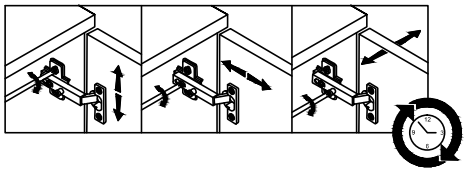
6



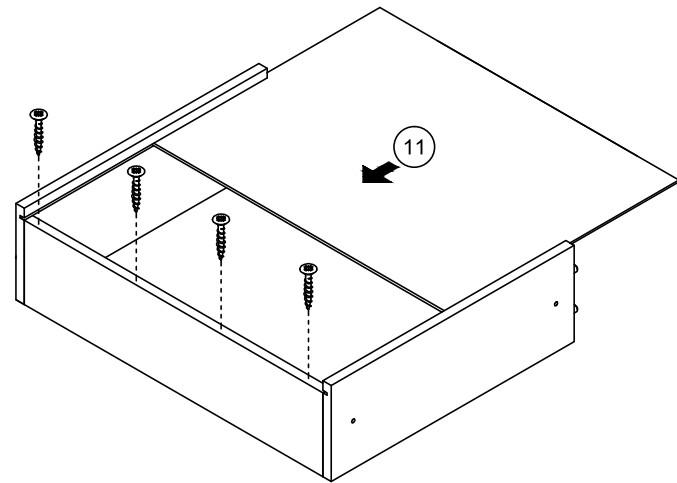
8



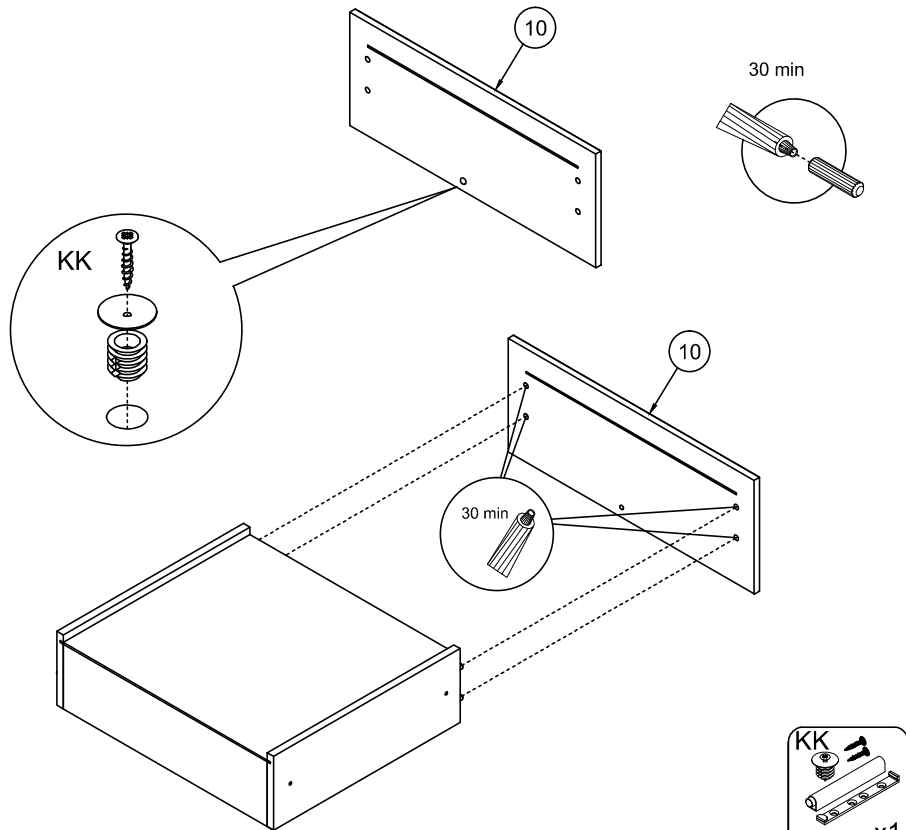
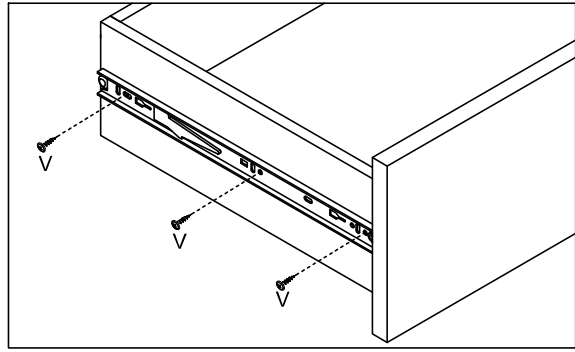
7



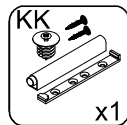
9



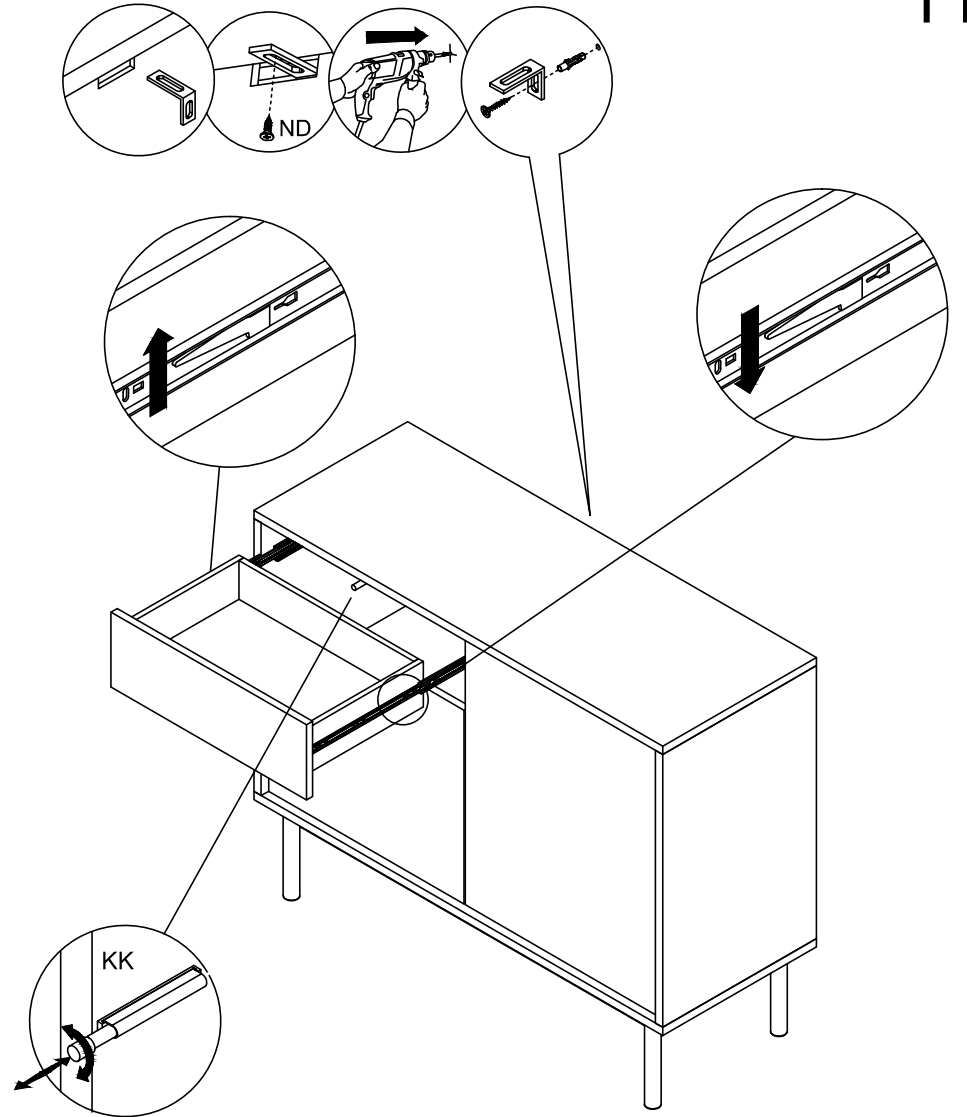
10



- |     |
|-----|
| PPW |
|     |
| x2  |
- |            |
|------------|
| V          |
|            |
| 3x13<br>x6 |
- |      |
|------|
| GLUE |
|      |
| x1   |



11



- |              |
|--------------|
| ND           |
|              |
| 3,5x16<br>x1 |
- |    |
|----|
| TB |
|    |
| x1 |
- |    |
|----|
| TA |
|    |
| x1 |