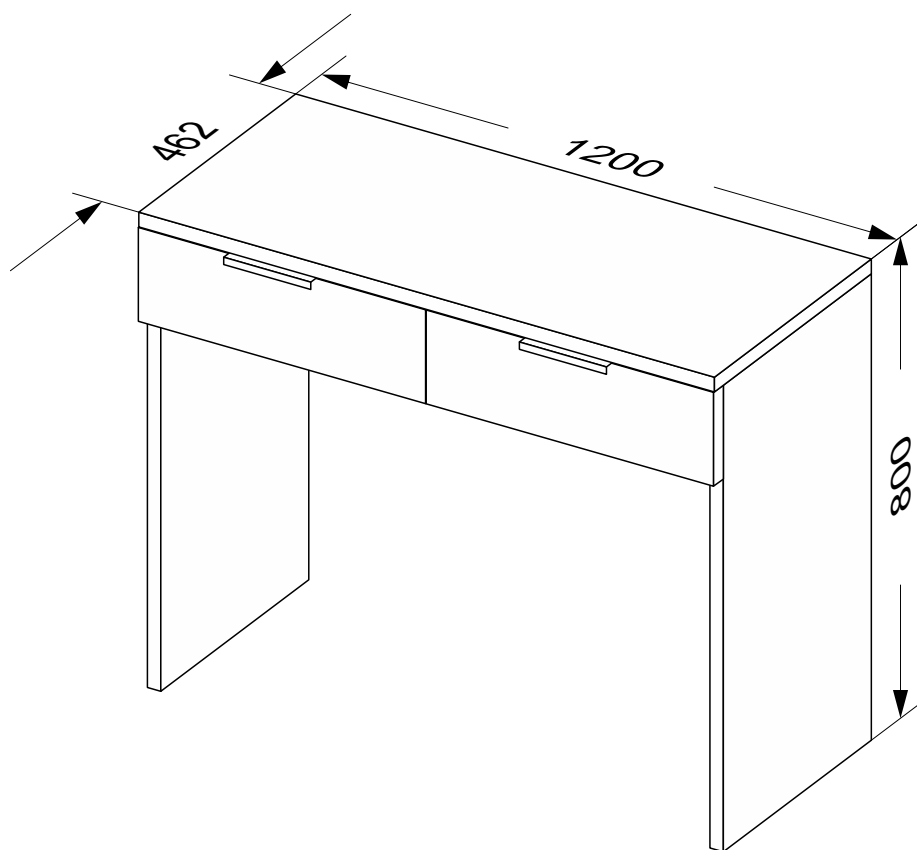
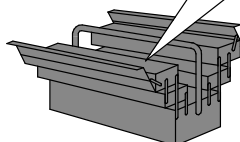
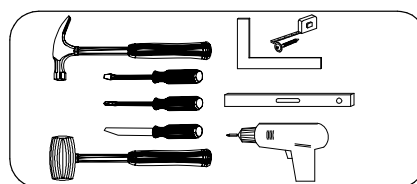
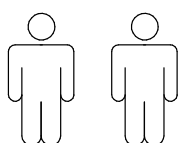


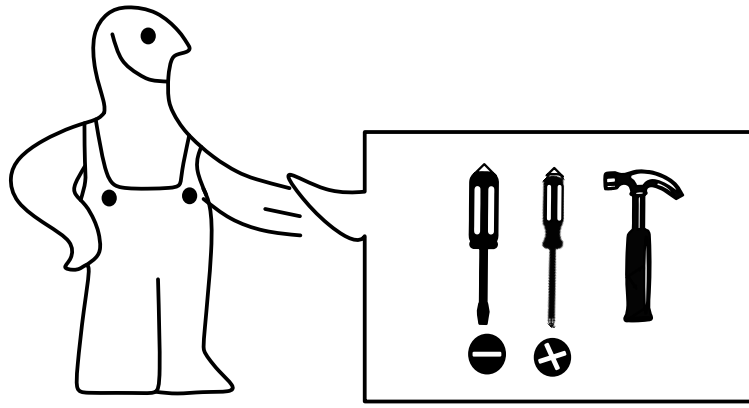
# DRESSING TABLE



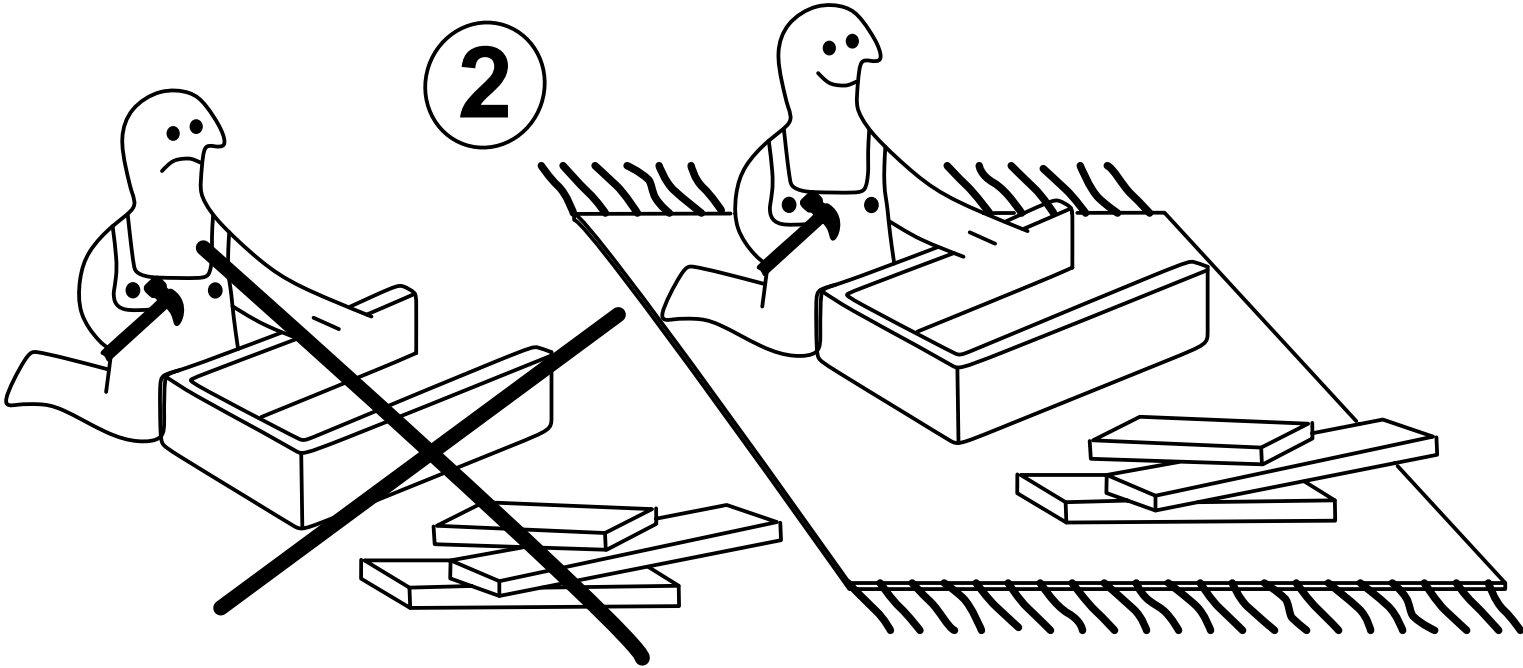
T9059  
17-IZ-06



1



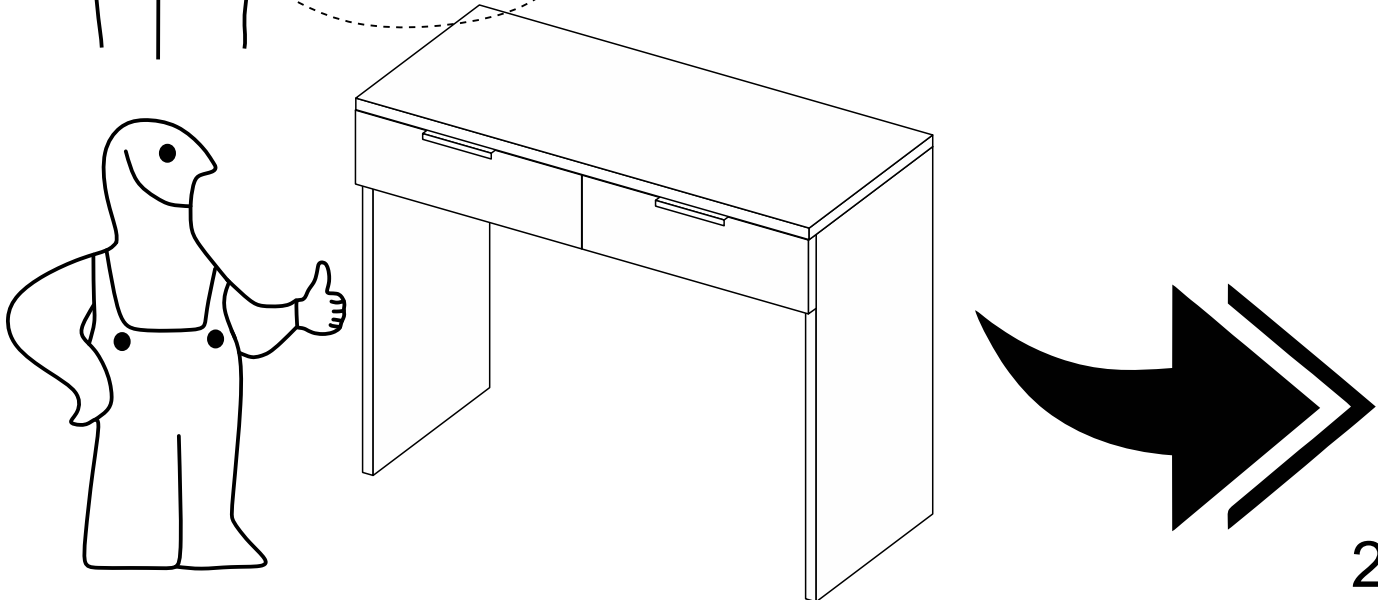
2

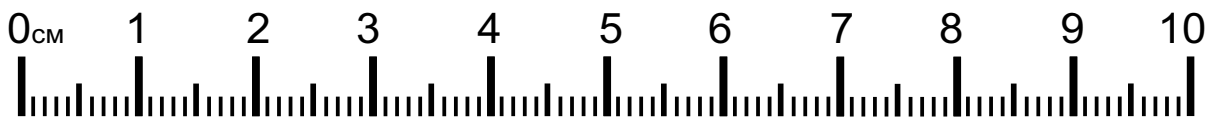
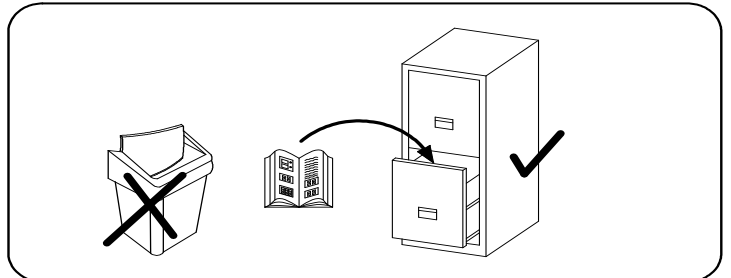
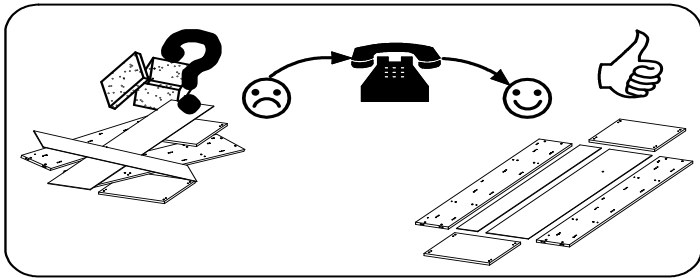
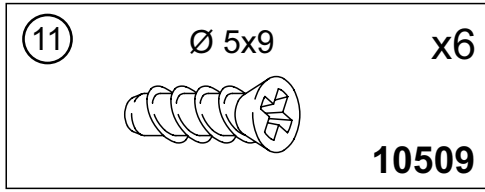
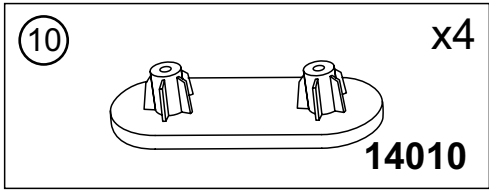
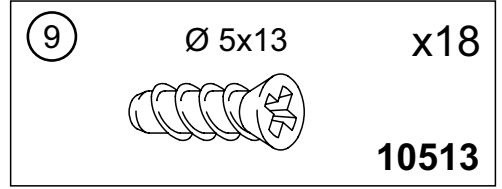
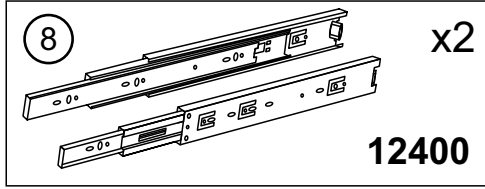
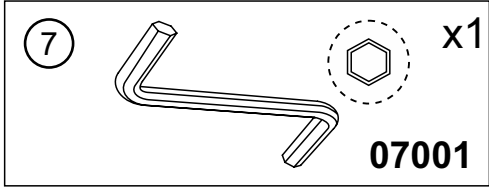
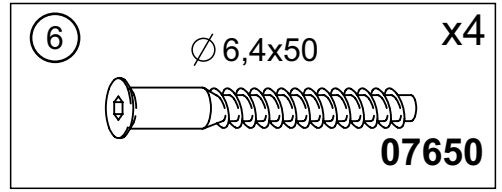
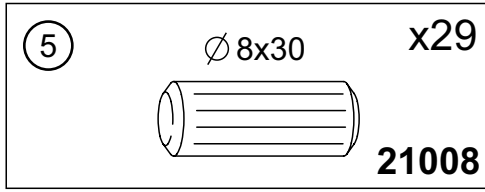
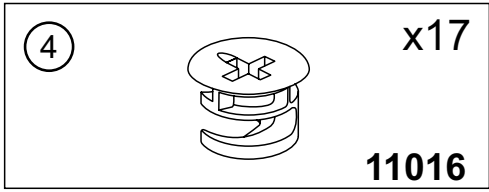
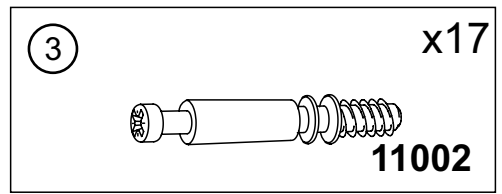
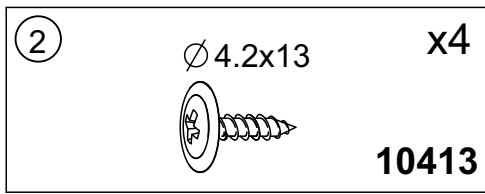
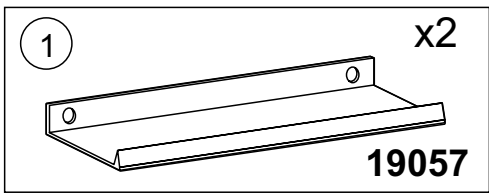


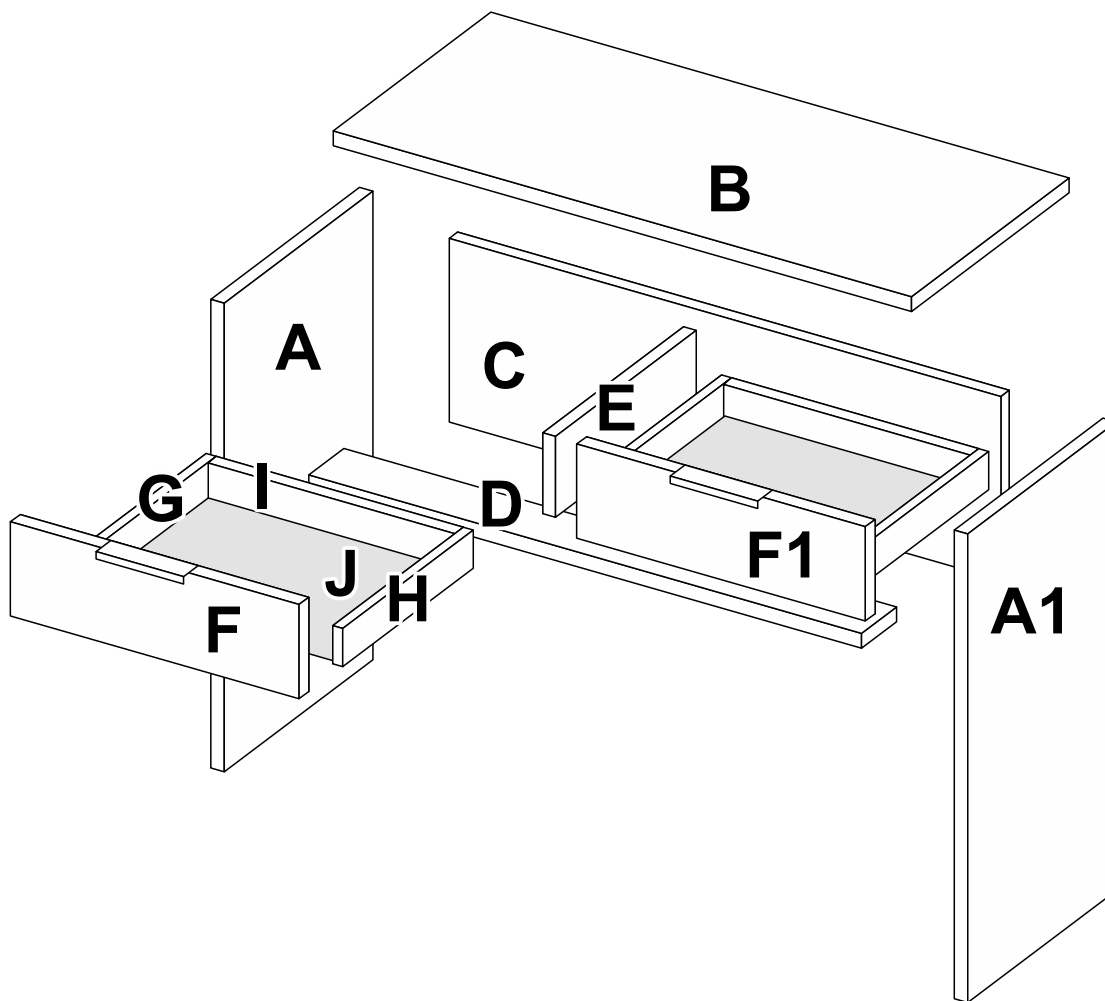
3



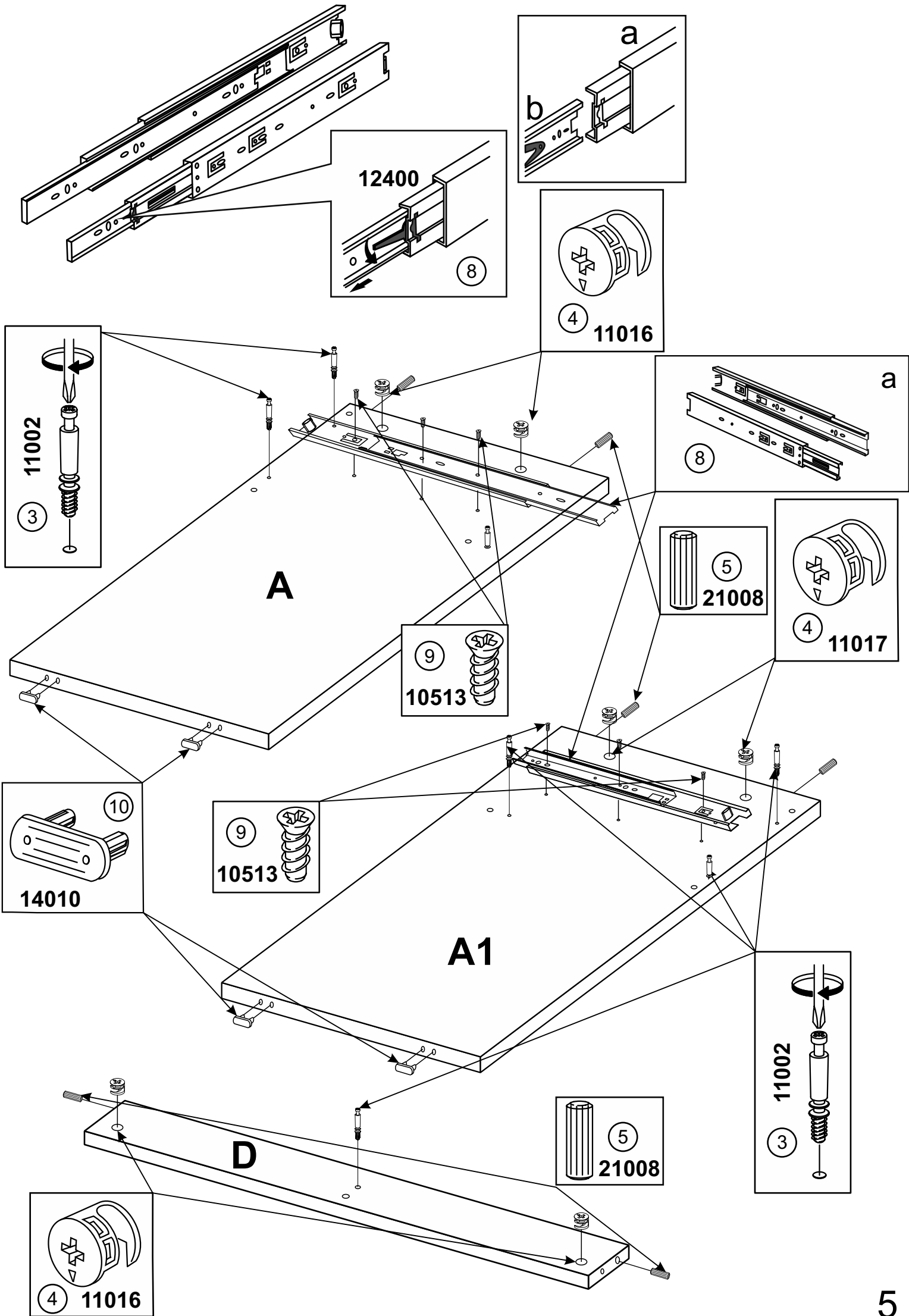
4

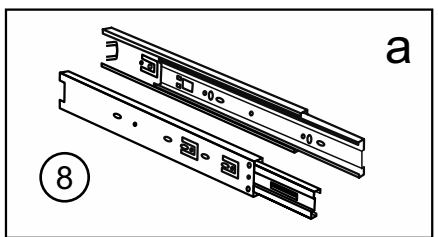
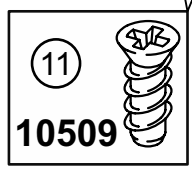
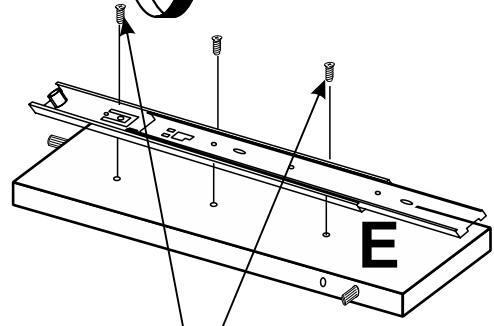
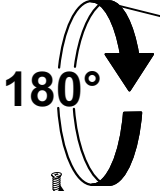
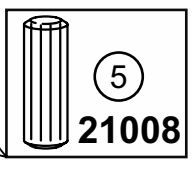
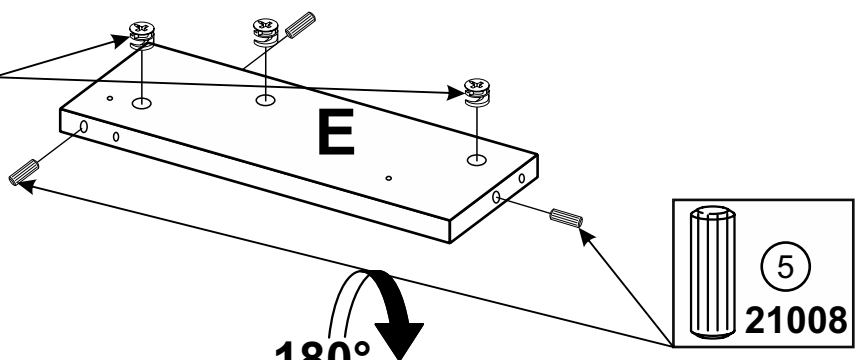
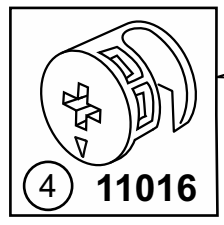
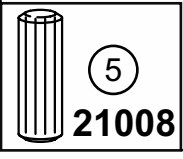
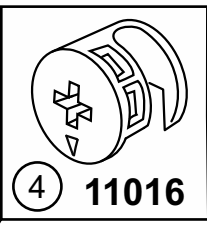
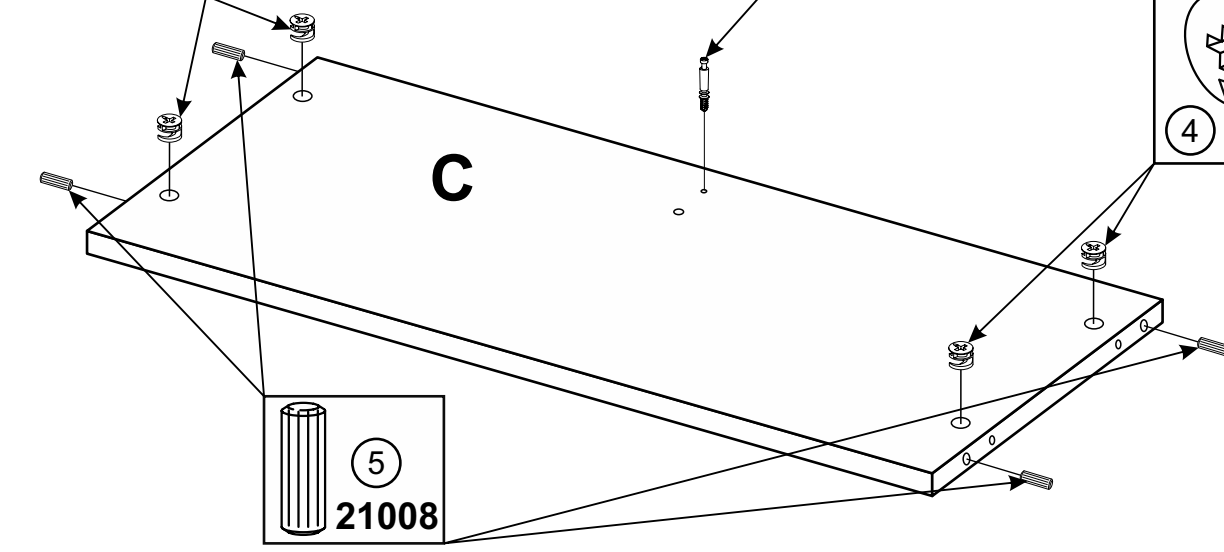
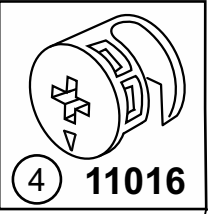
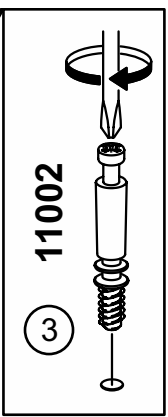
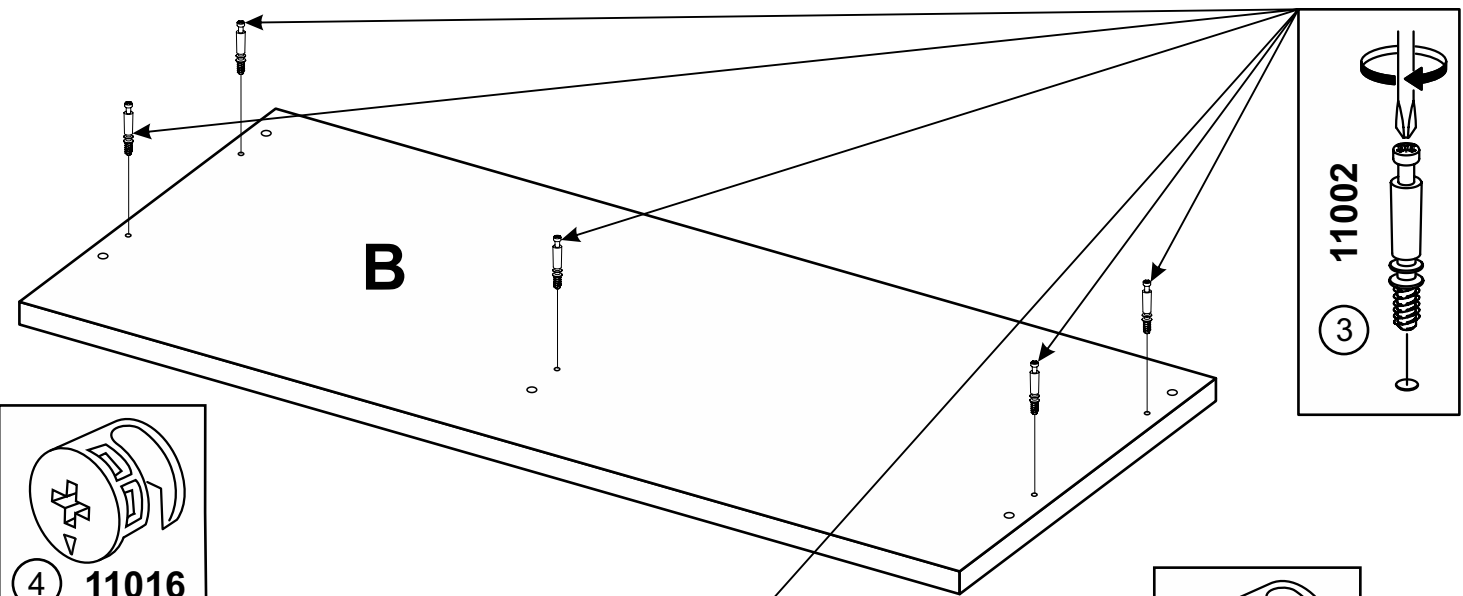


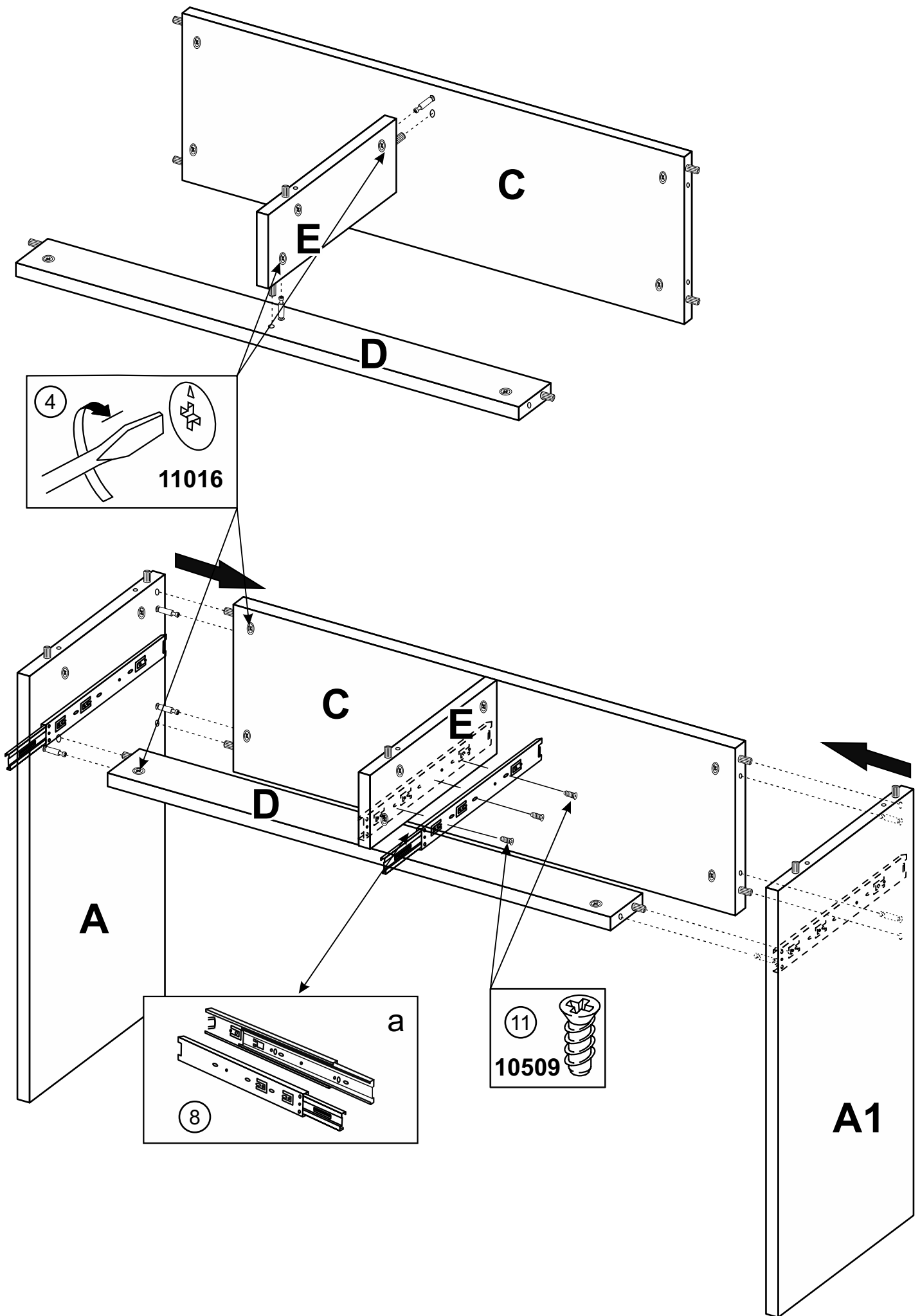


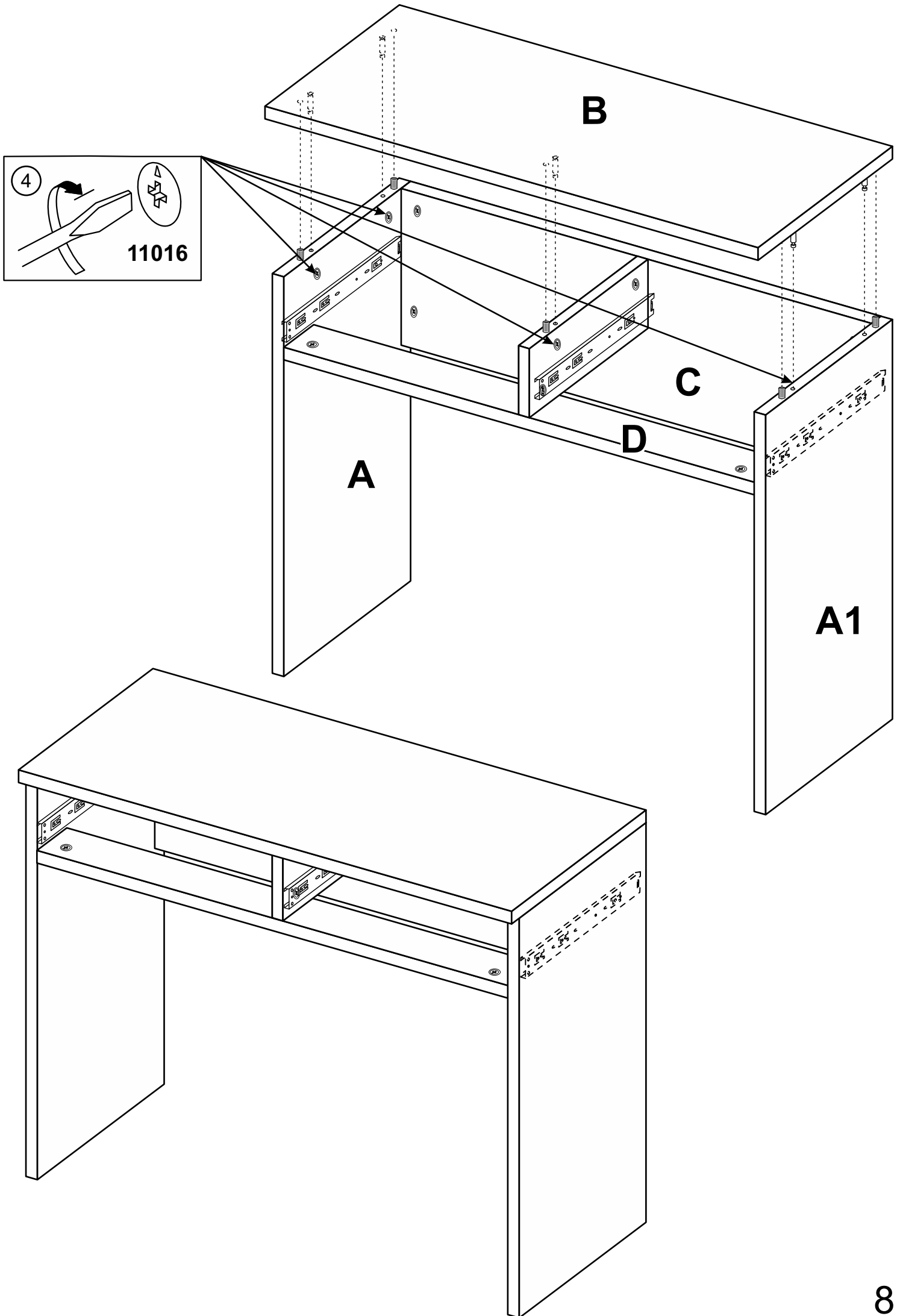


<b>A</b>	-	776	x	440	x	16	-	x	1
<b>A1</b>	-	776	x	440	x	16	-	x	1
<b>B</b>	-	1200	x	462	x	22	-	x	1
<b>C</b>	-	1166	x	400	x	16	-	x	1
<b>D</b>	-	1166	x	100	x	16	-	x	1
<b>E</b>	-	416	x	161	x	16	-	x	1
<b>F</b>	-	594	x	170	x	18	-	x	1
<b>F1</b>	-	594	x	170	x	18	-	x	1
<b>G</b>	-	400	x	130	x	16	-	x	2
<b>H</b>	-	400	x	130	x	16	-	x	2
<b>I</b>	-	517	x	130	x	16	-	x	2
<b>J</b>	-	396	x	529	x	3	-	x	2

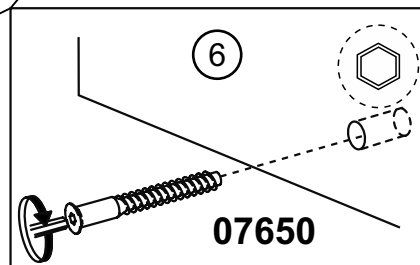
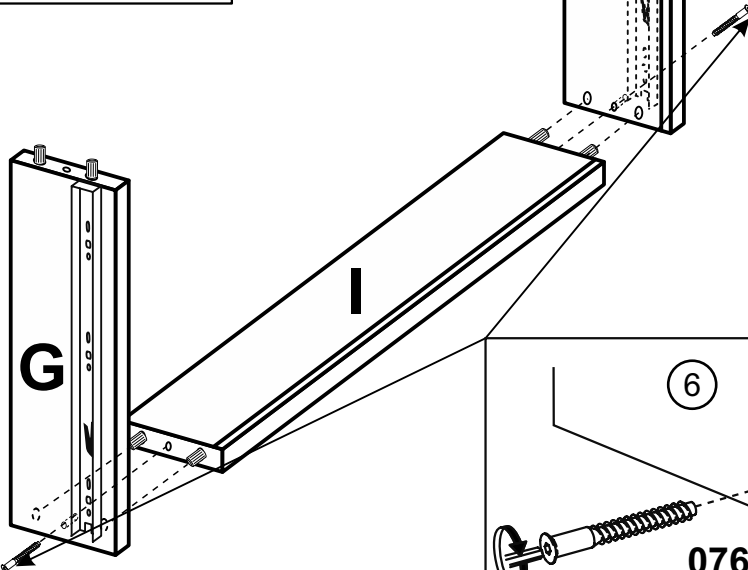
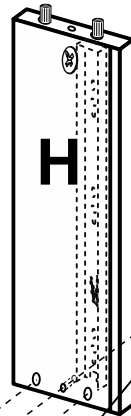
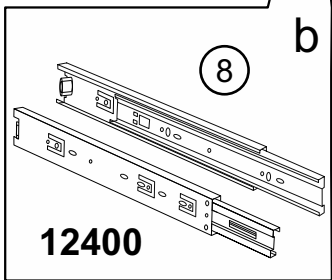
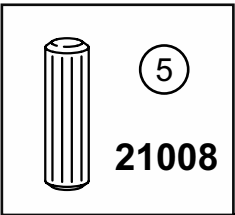
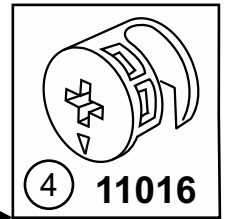
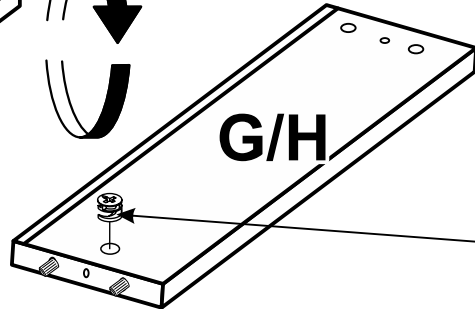
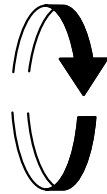
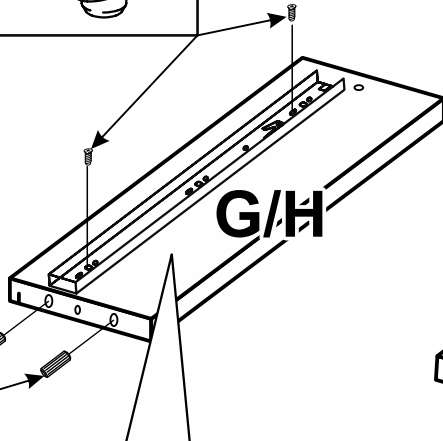
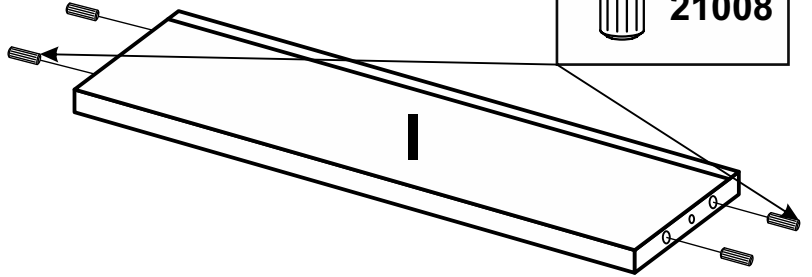
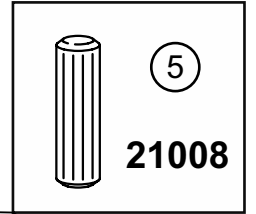
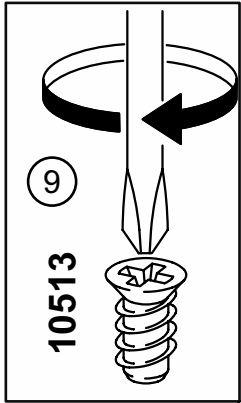
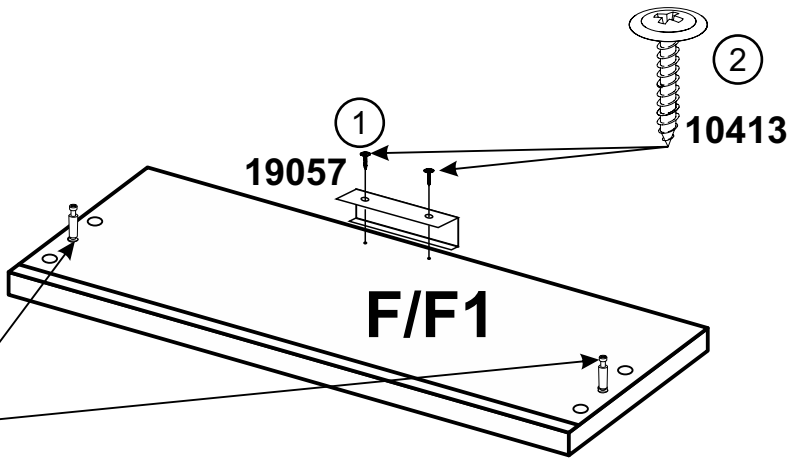
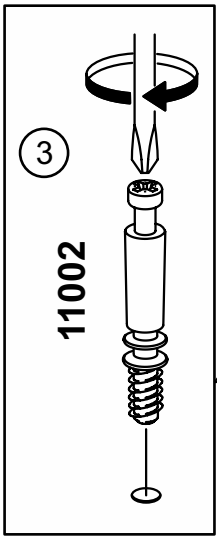




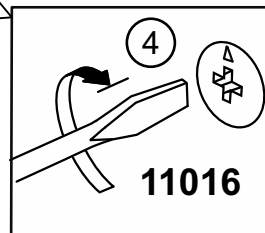
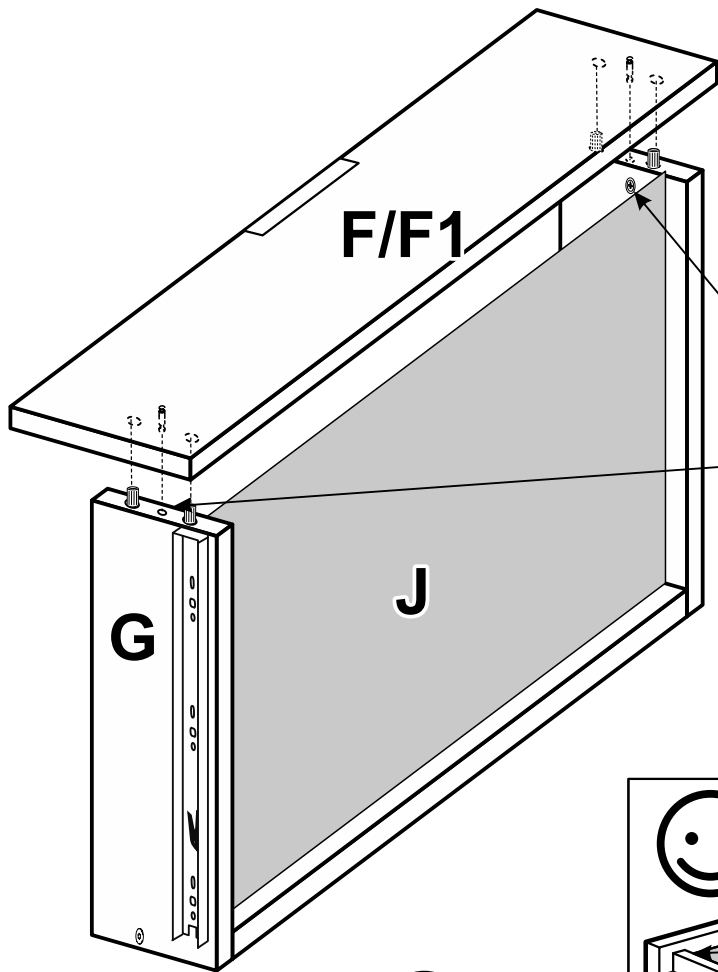
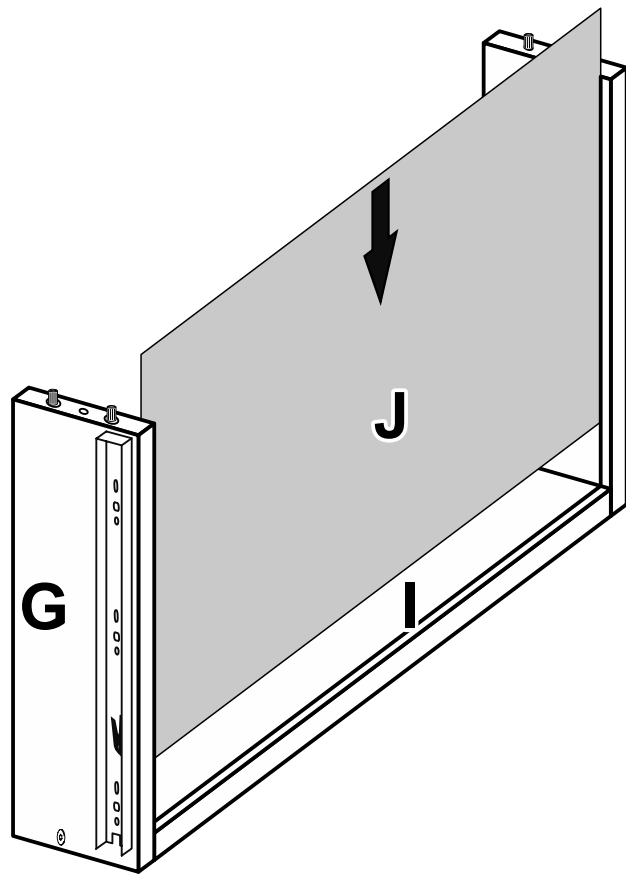








x2



**x2**

