






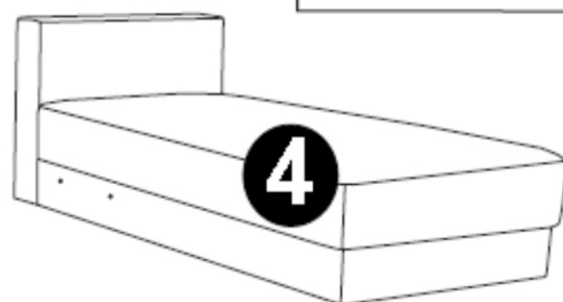
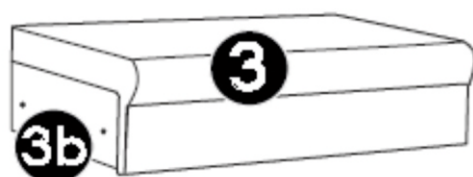
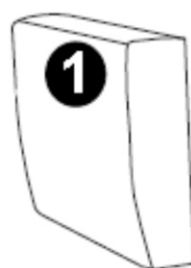
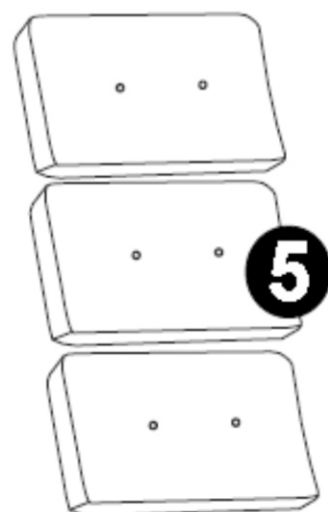
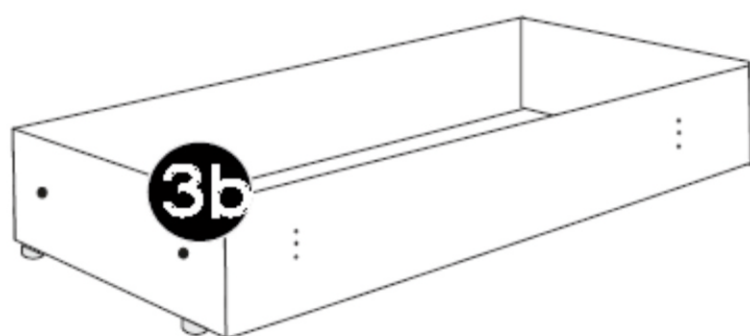
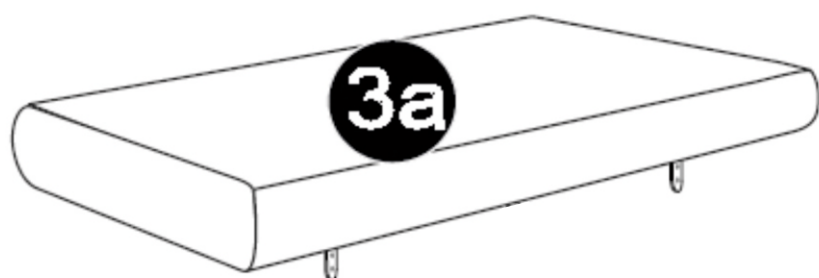


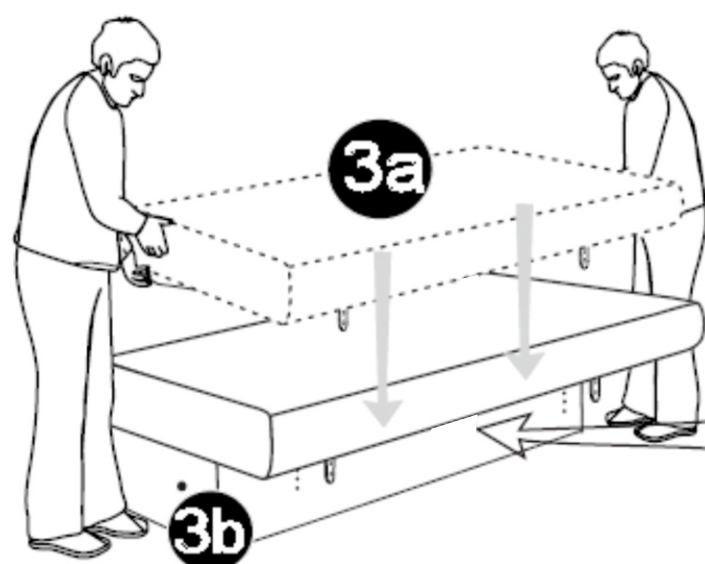


A  x6	B  x4	C M8x100  x2	D  x8	E 80 mm  x4	F  x6	G Ø 4,5 x 35  x9
---	---	--	---	--	---	---

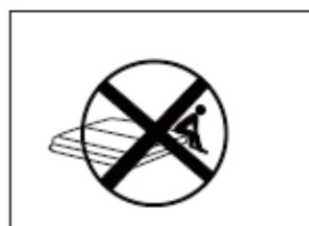
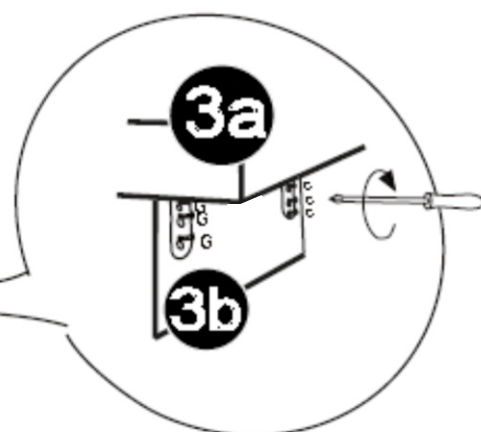




I

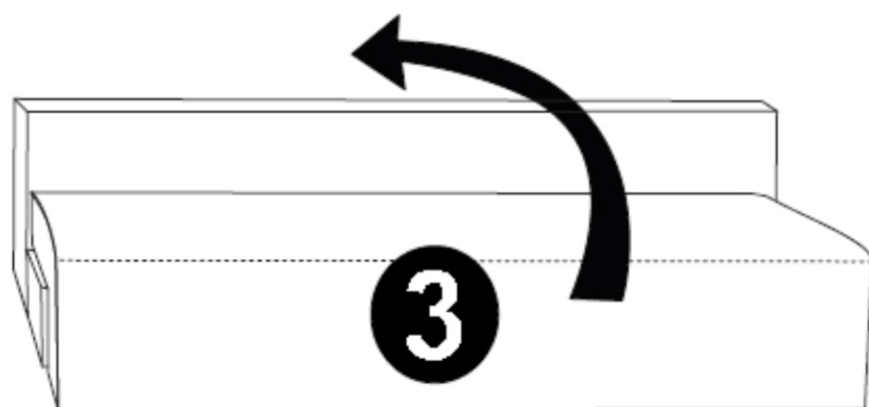


G
Ø 4,5 x 35
x6

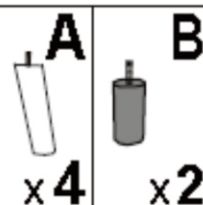
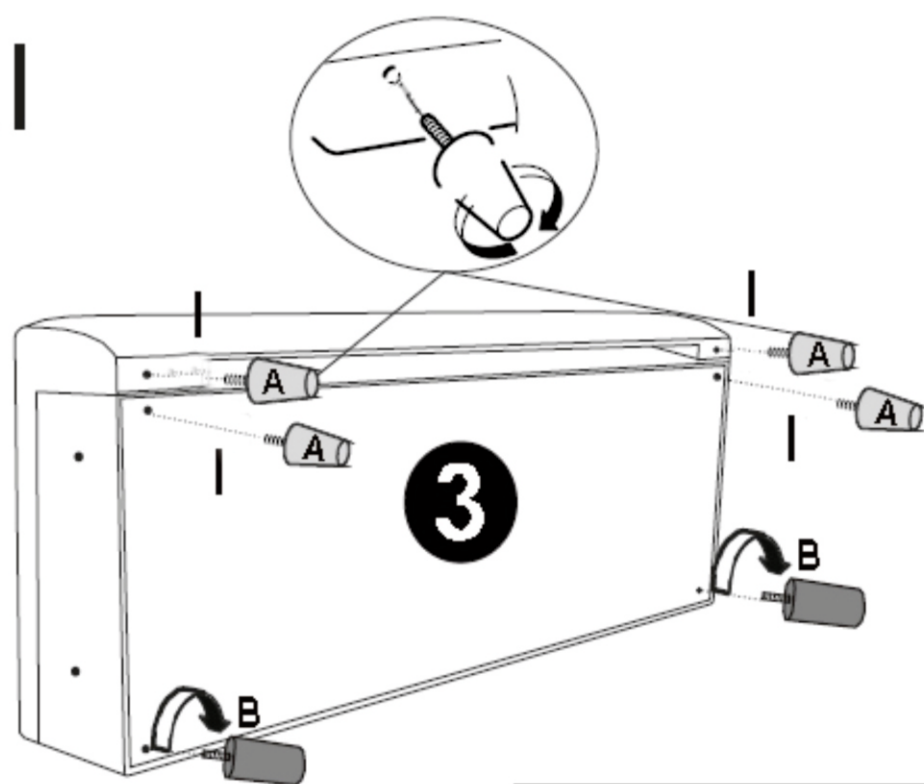




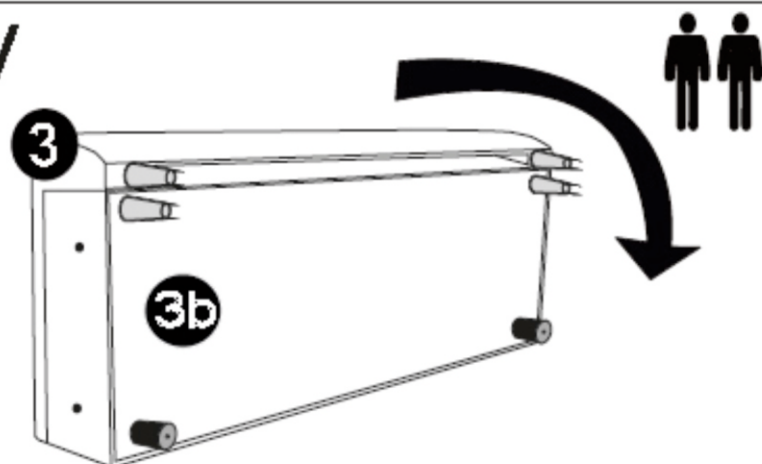
II

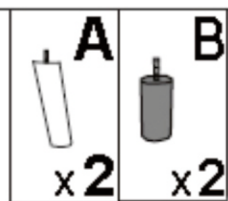
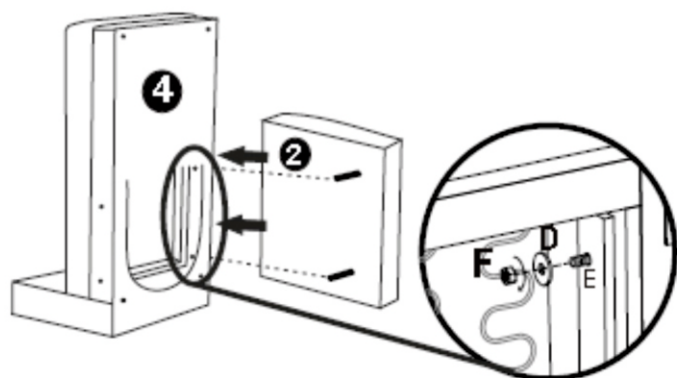
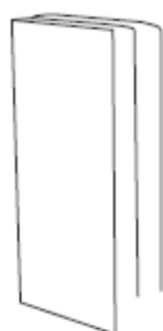
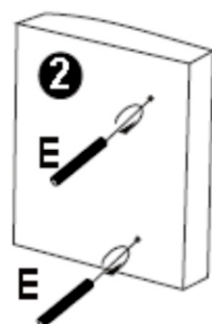
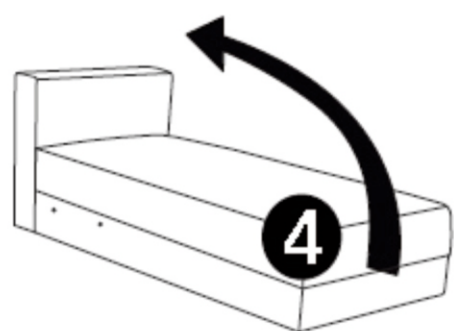


III

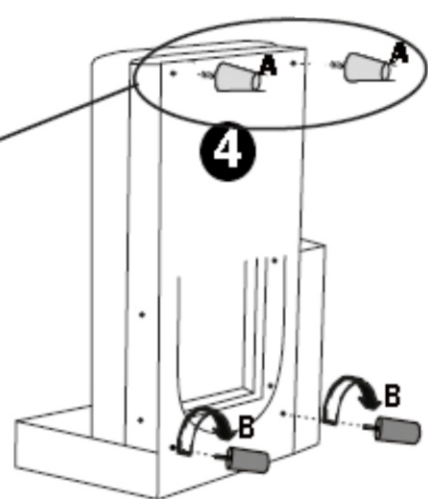


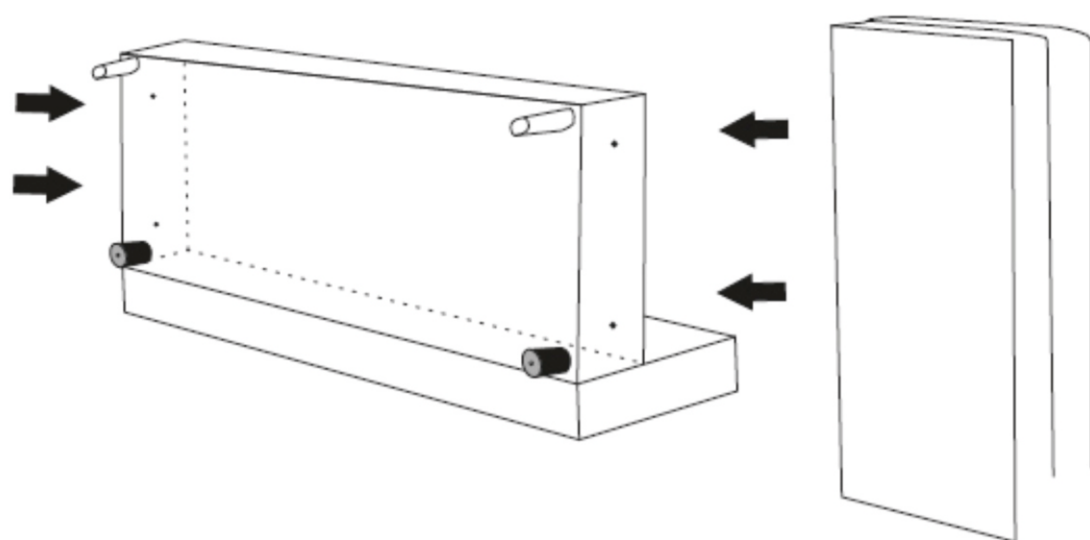
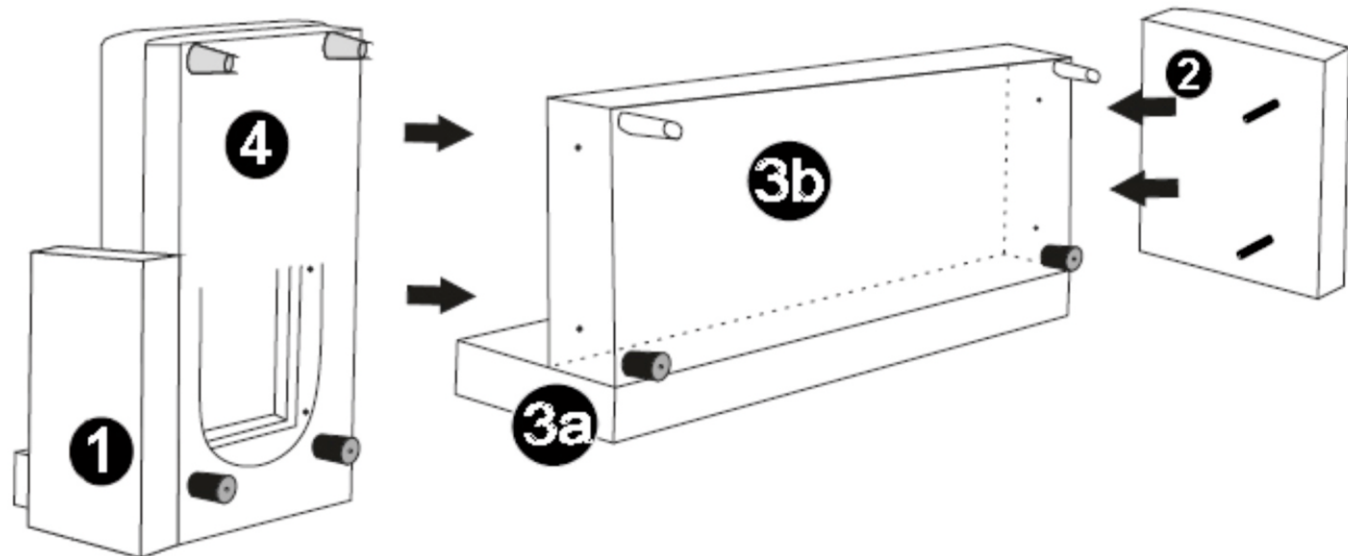
IV

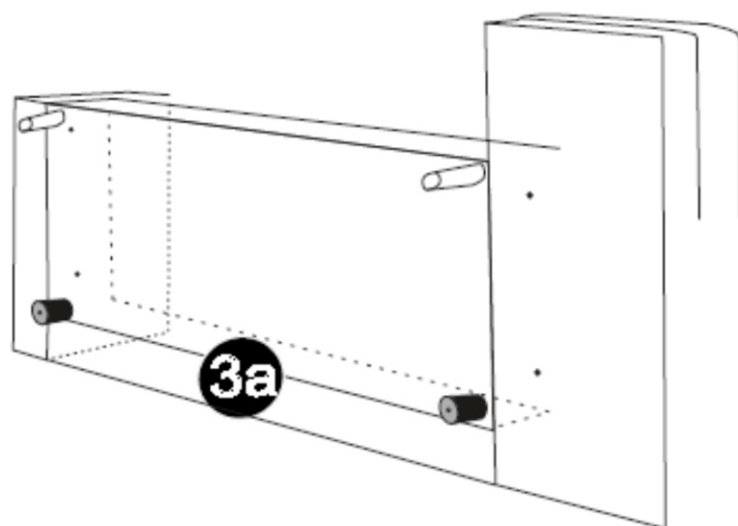
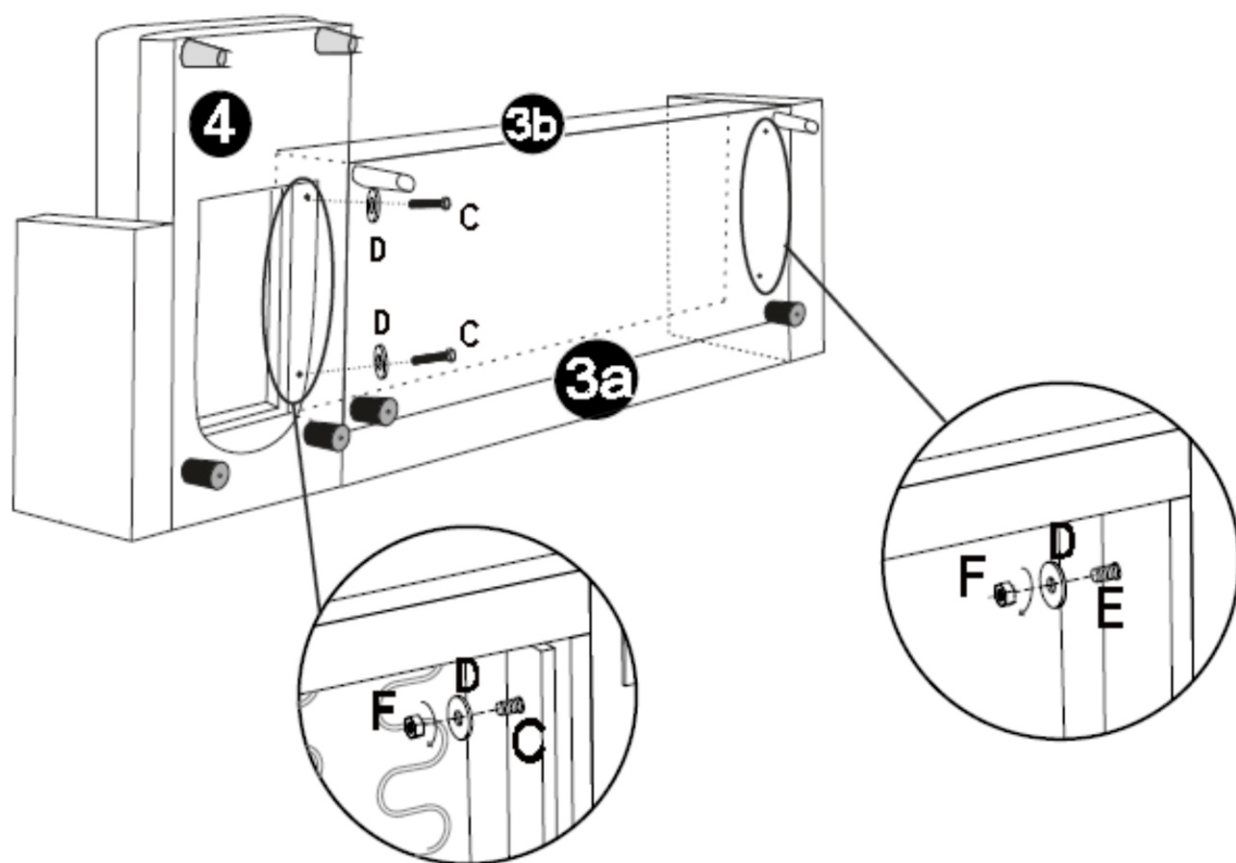




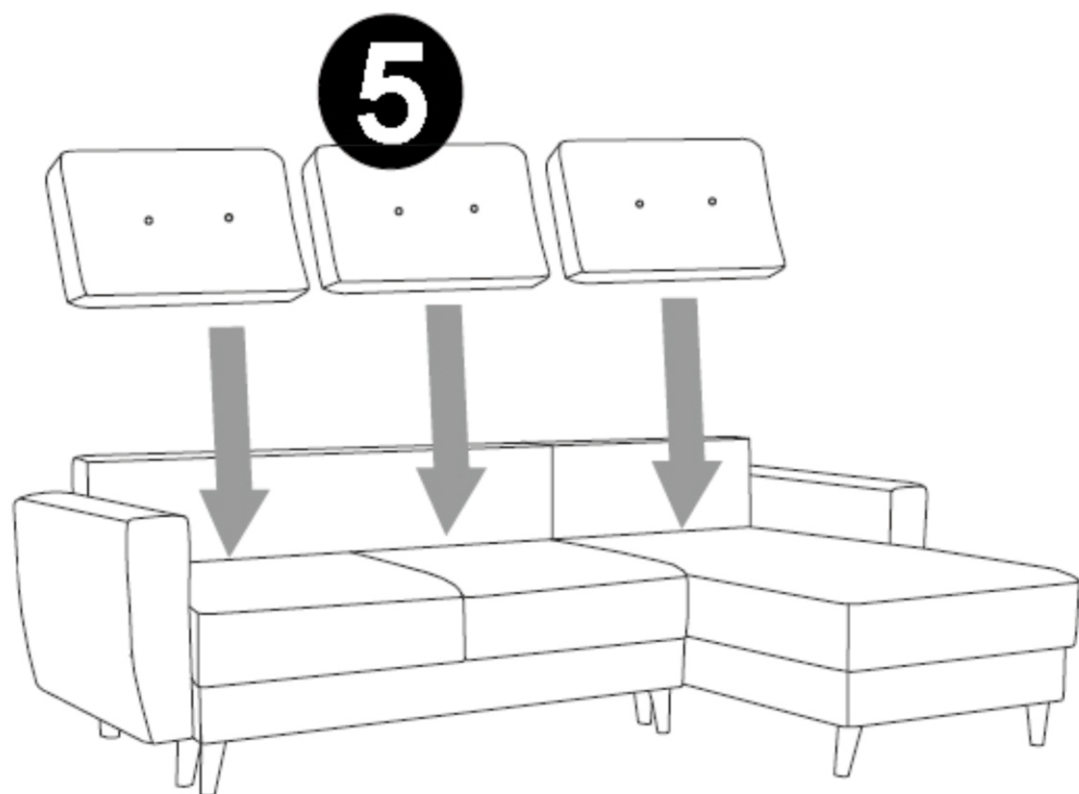
VII







X



X

