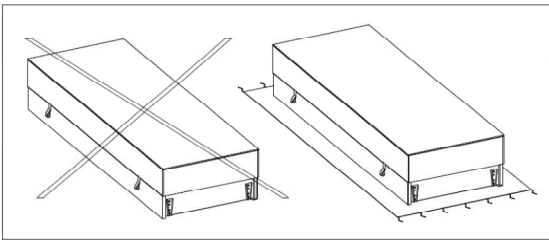
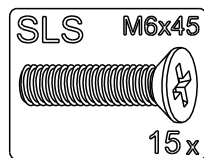
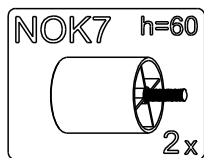
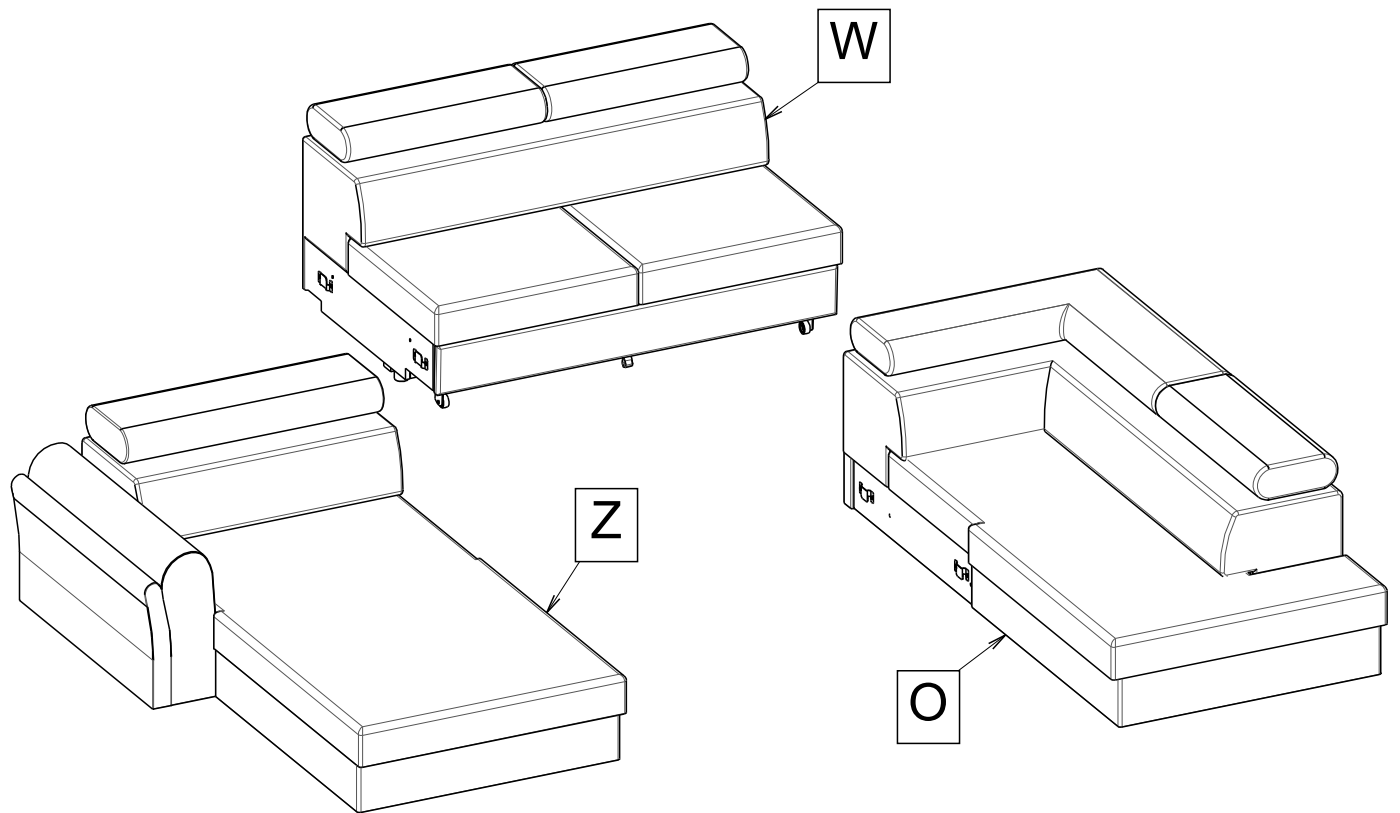
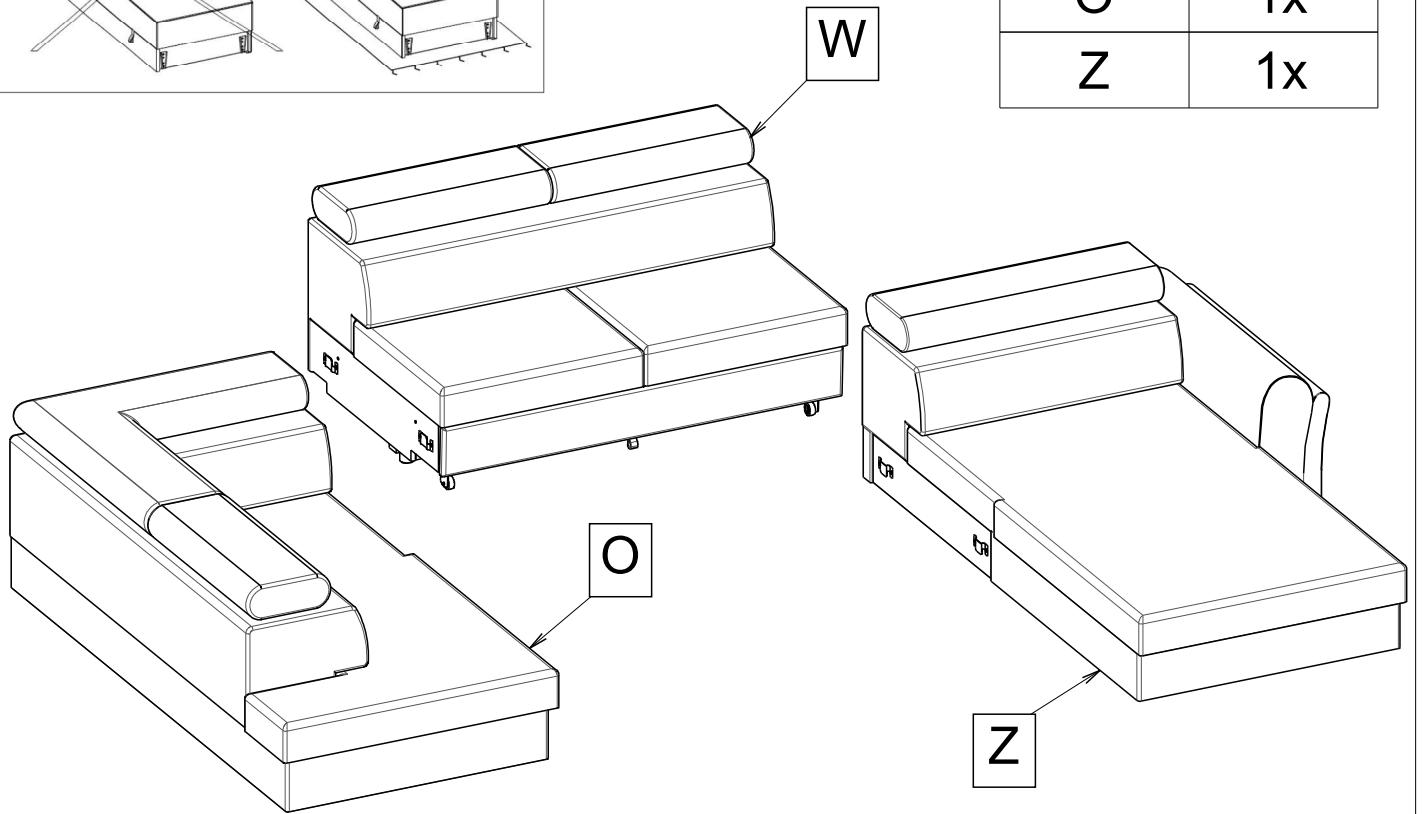


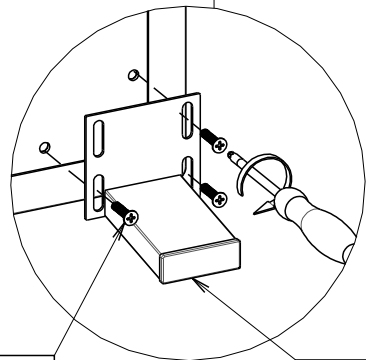
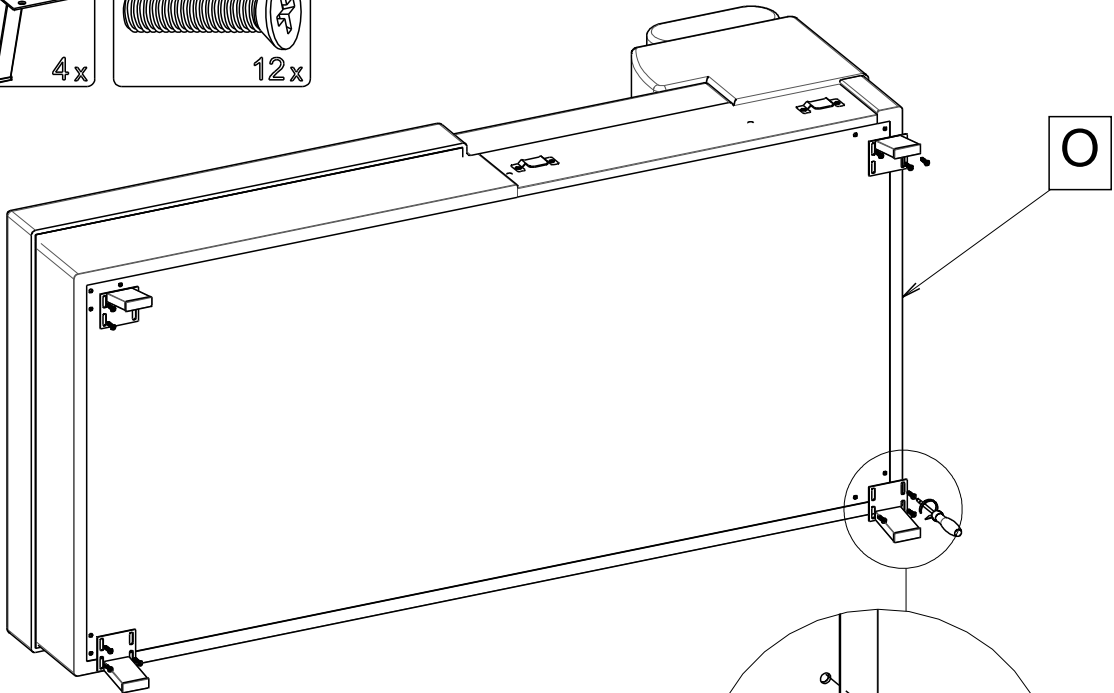
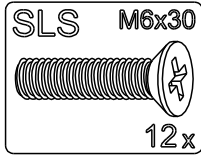
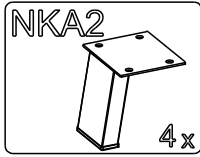
45min



W	1x
O	1x
Z	1x



1

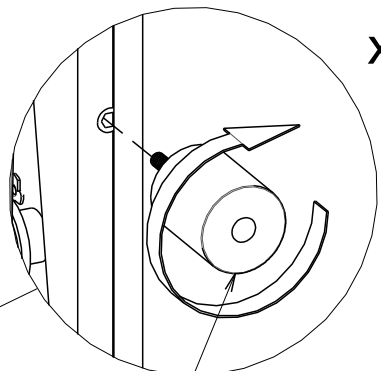
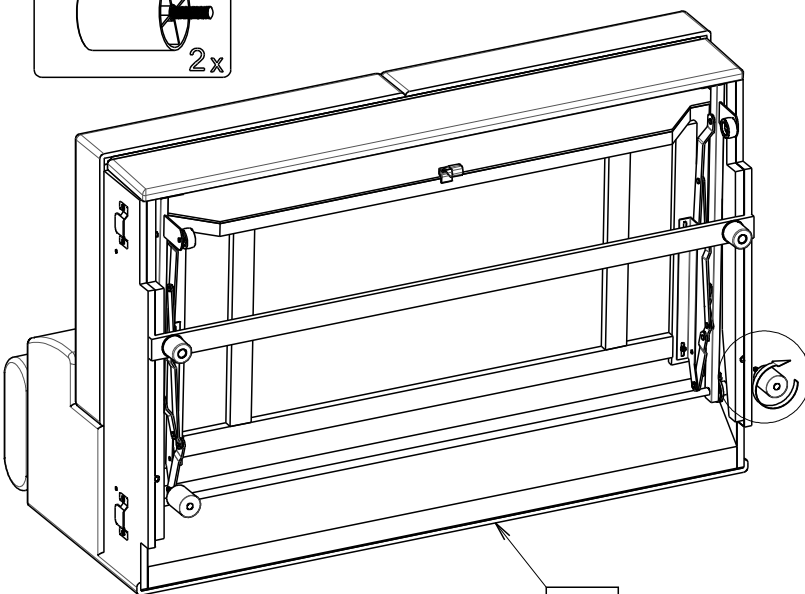
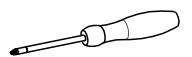
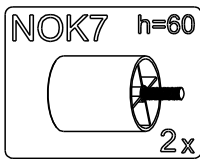


x4

SLS M6x30

NKA2

2

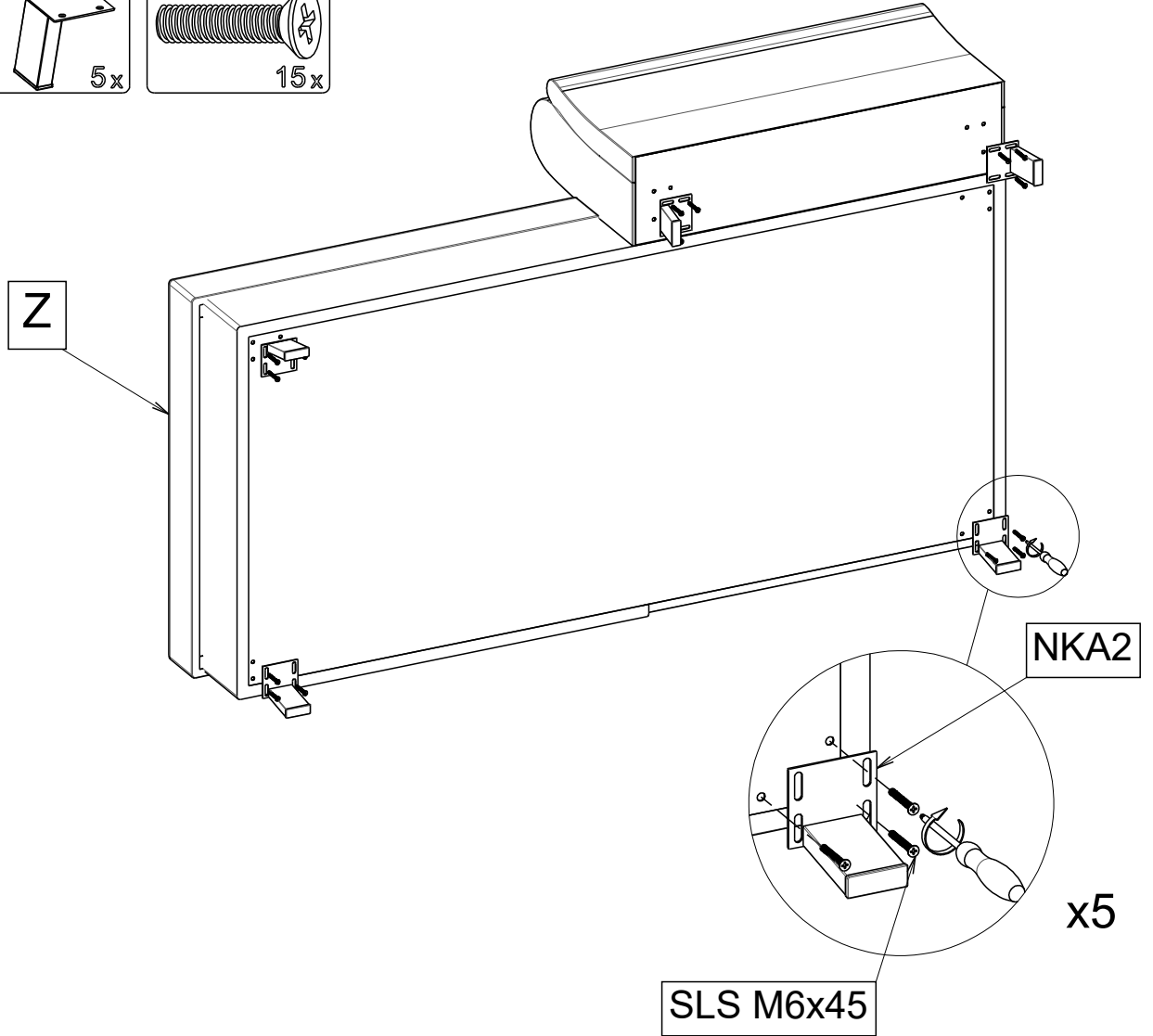
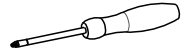
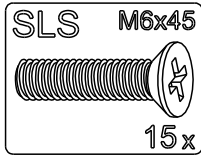
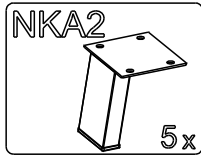


x2

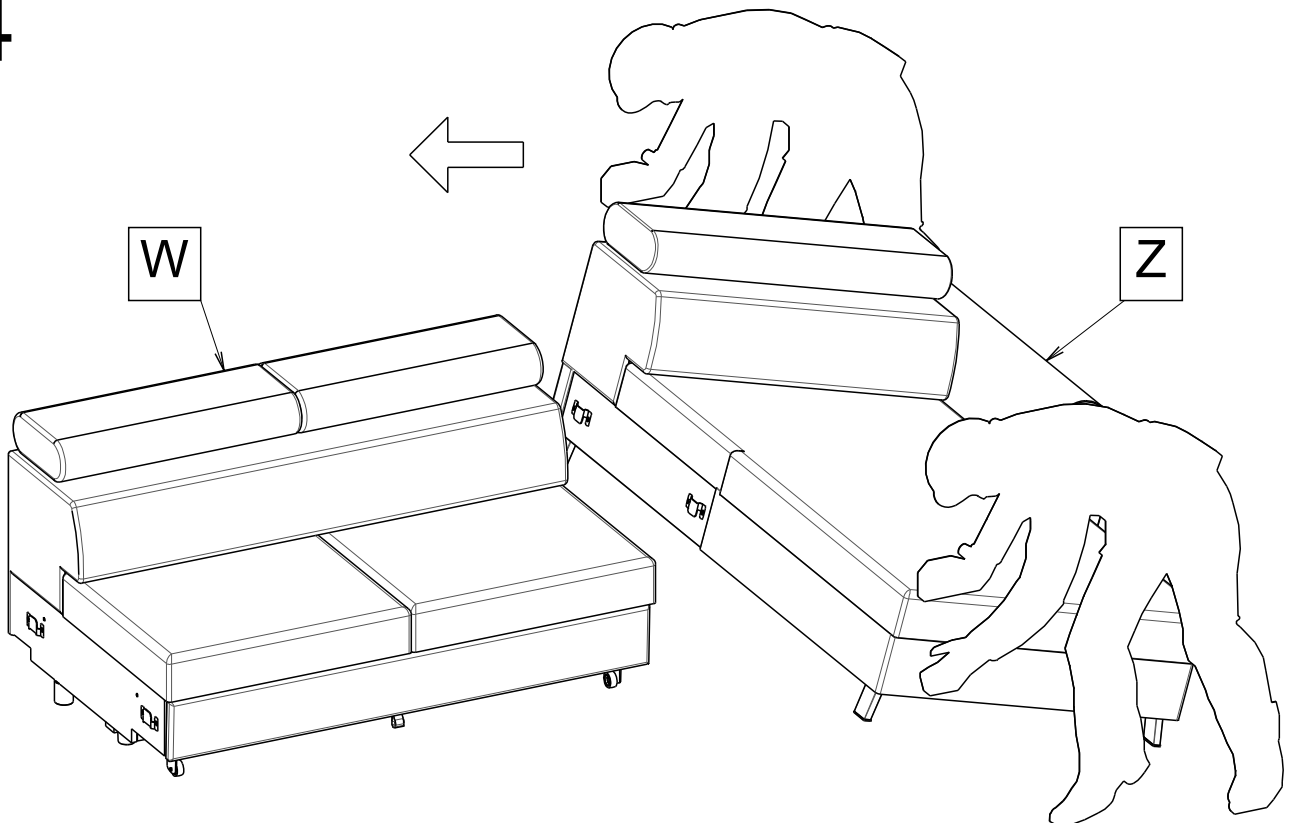
NOK7

W

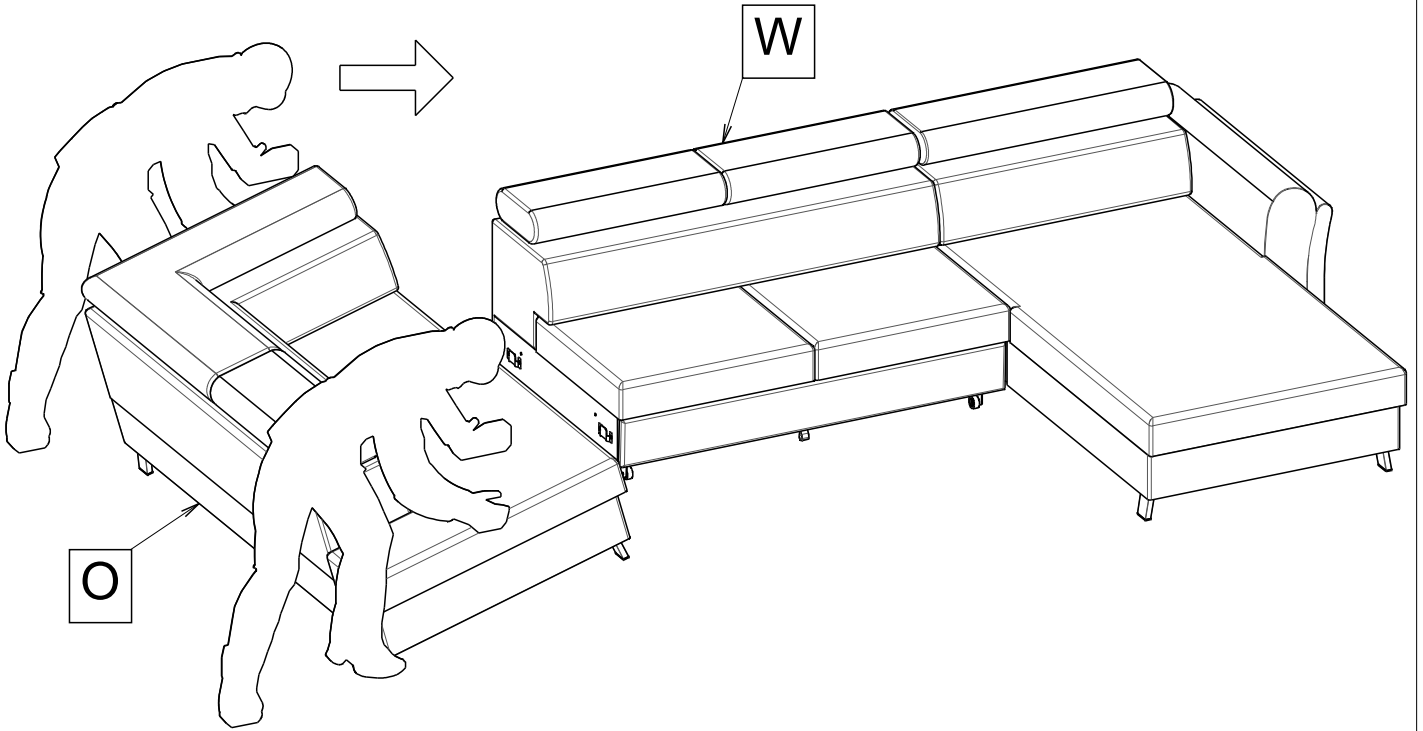
3



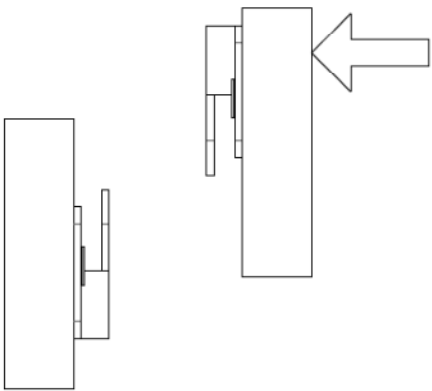
4



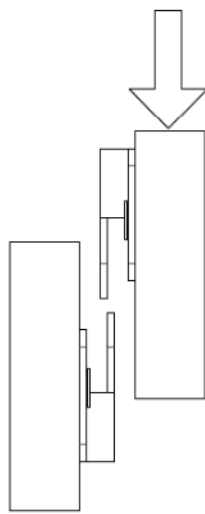
5



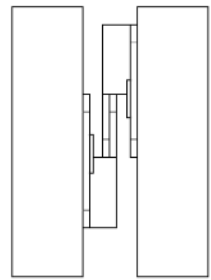
1)



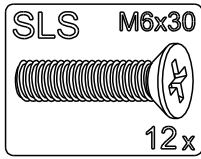
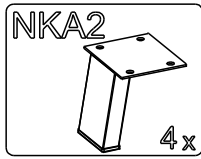
2)



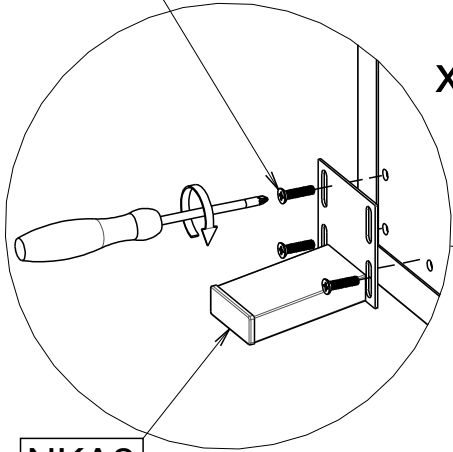
3)



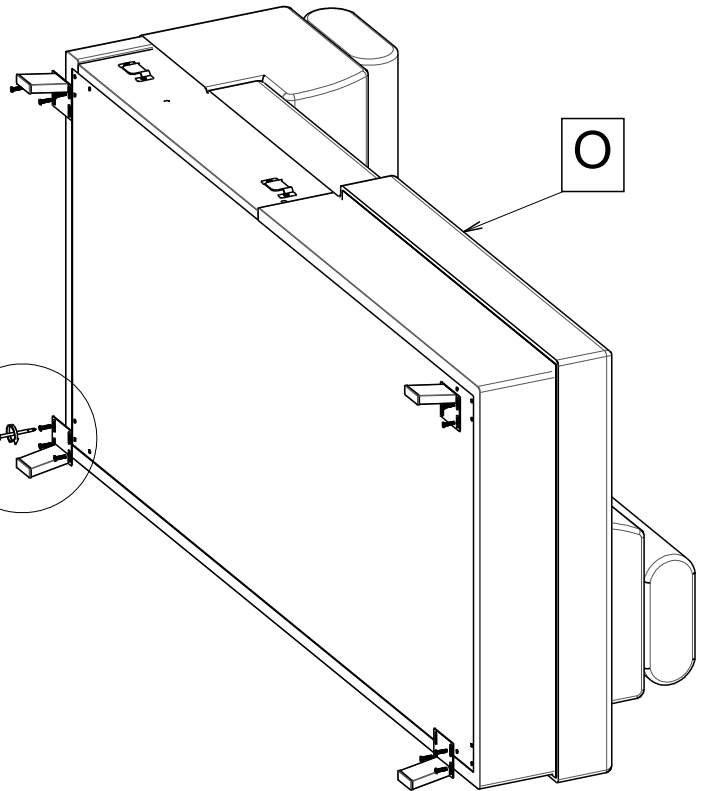
1



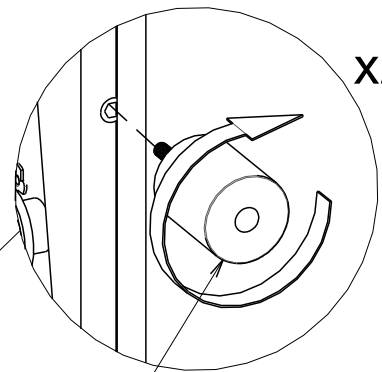
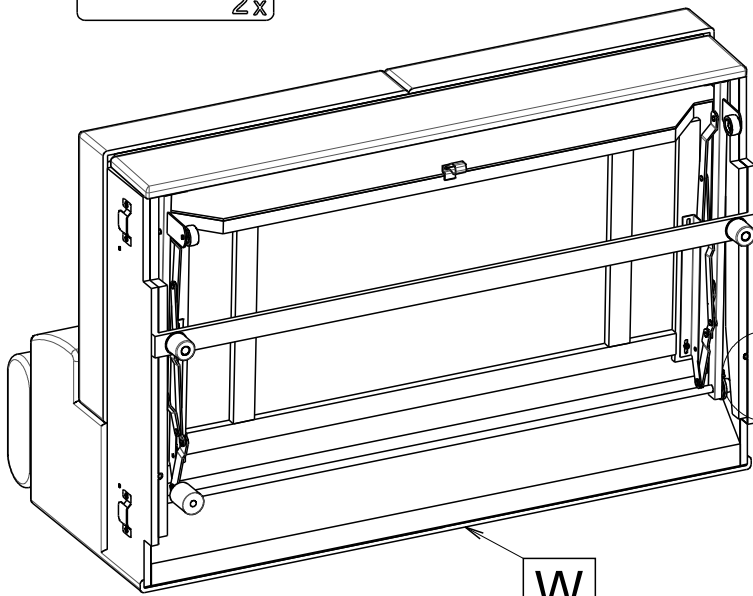
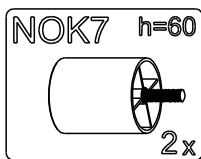
SLS M6x30



NKA2

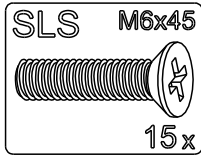
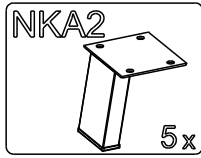


2



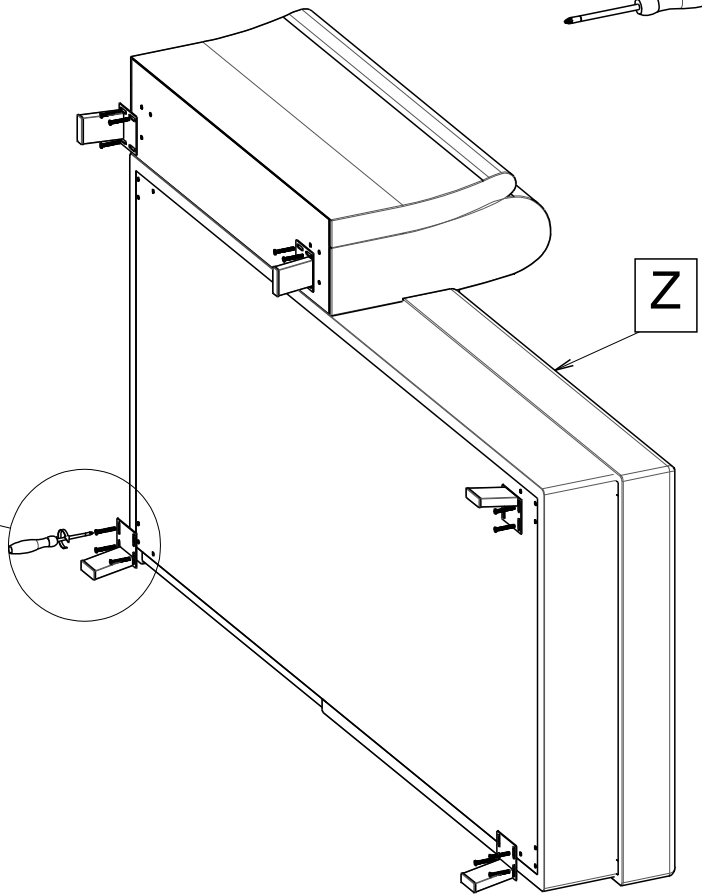
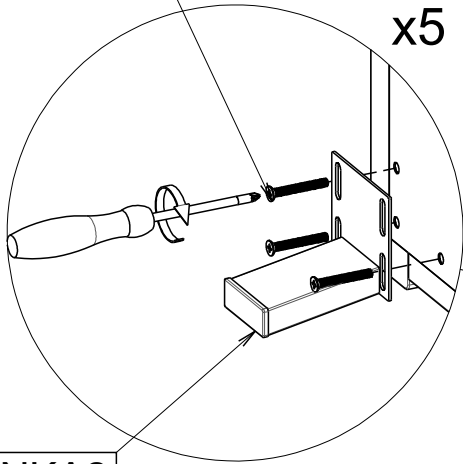
NOK7

3

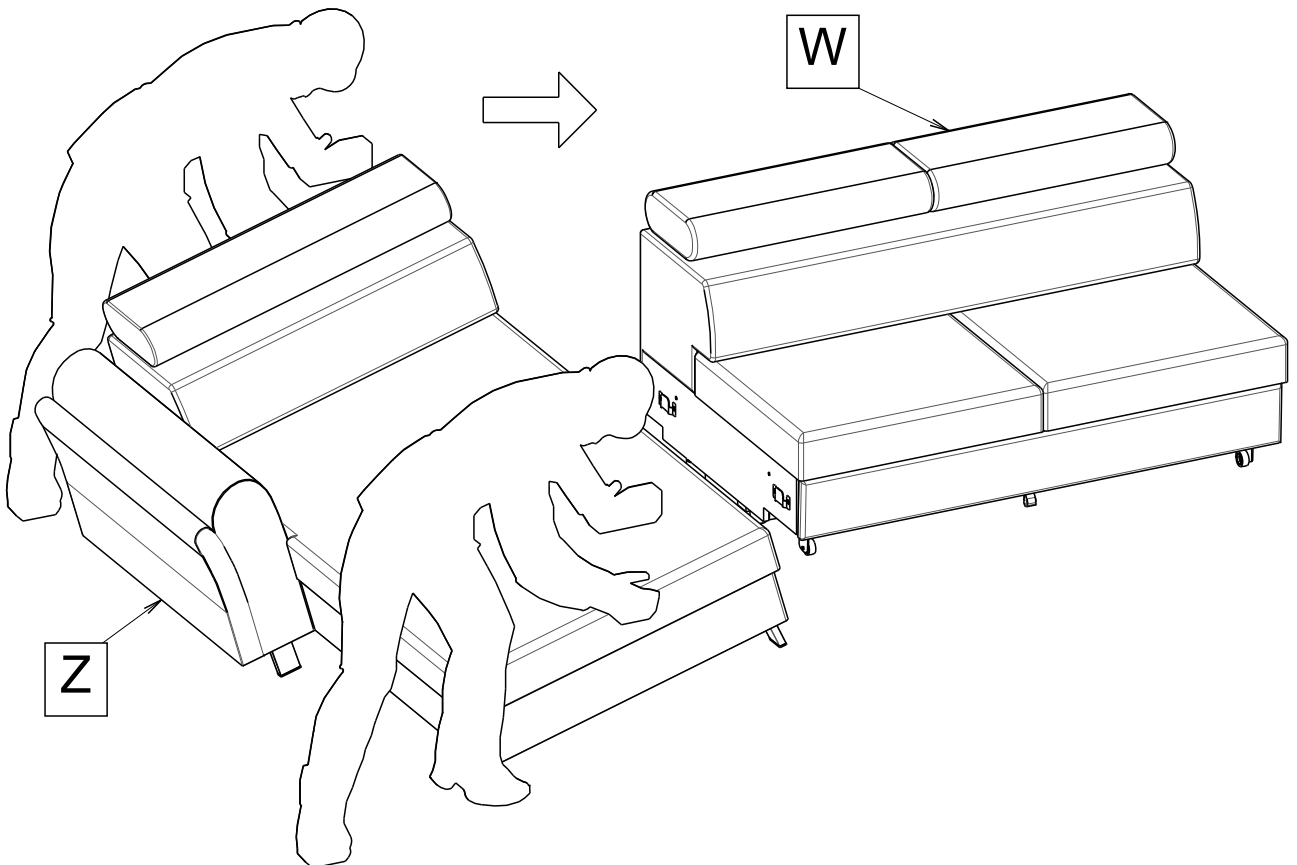


SLS M6x45

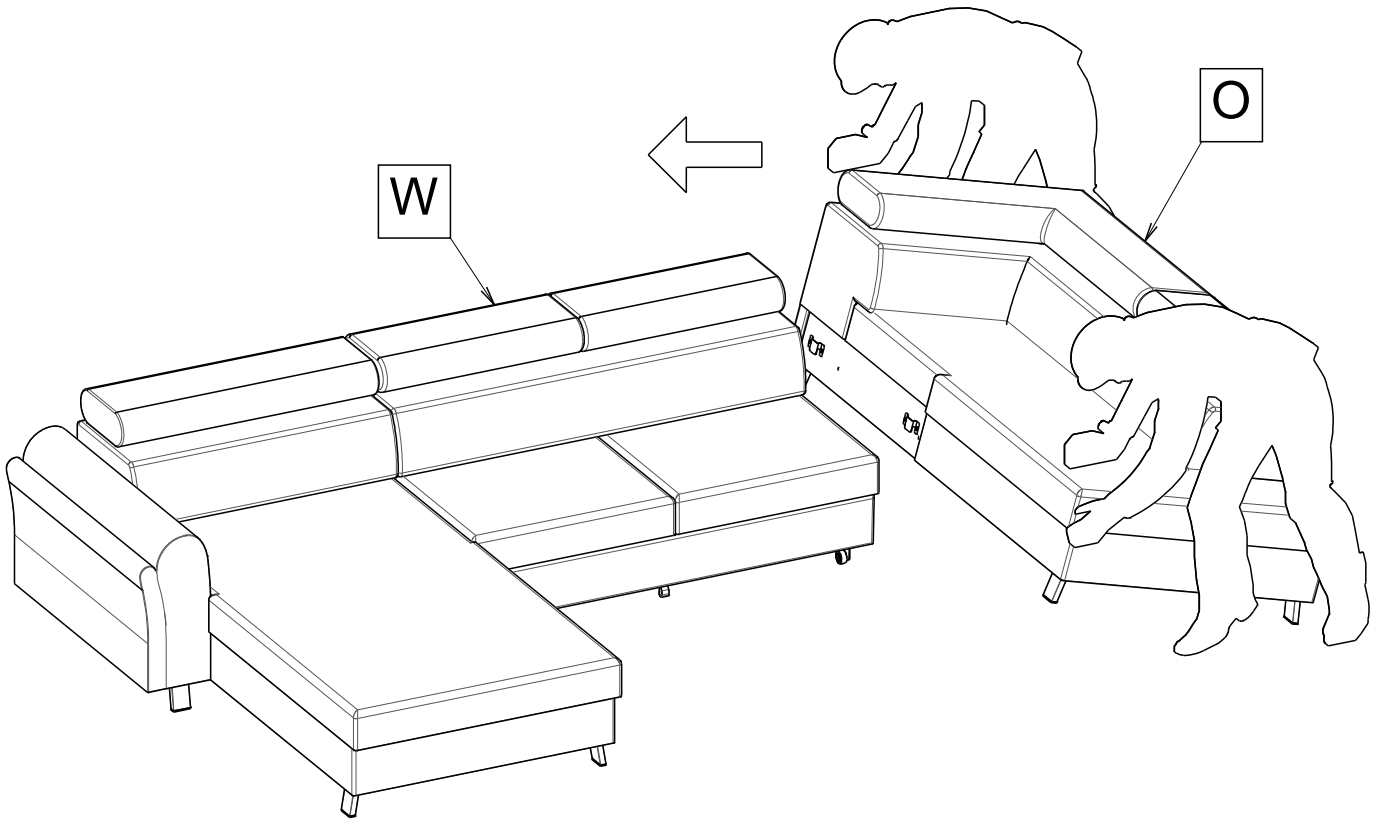
x5



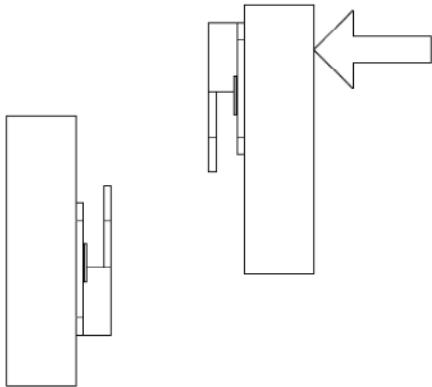
4



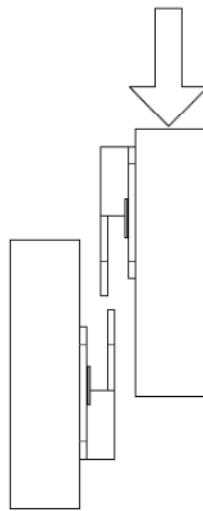
5



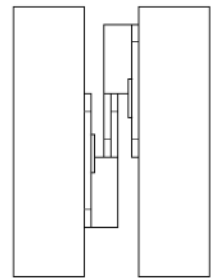
1)



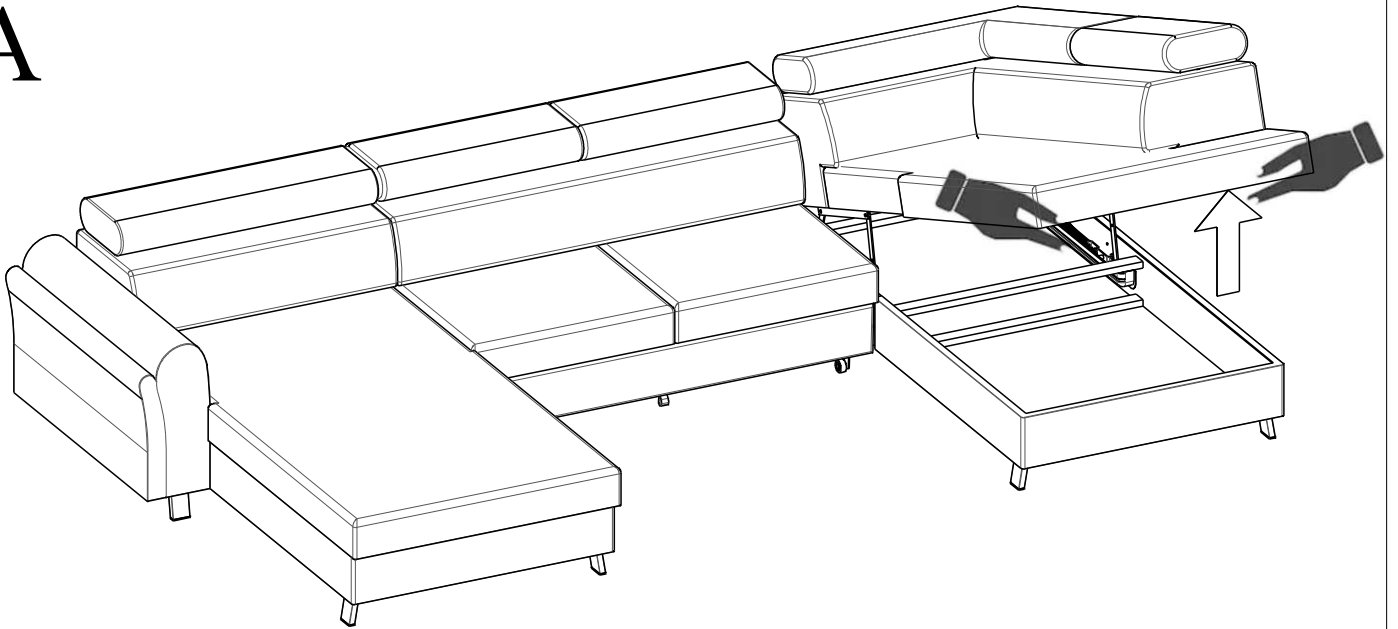
2)



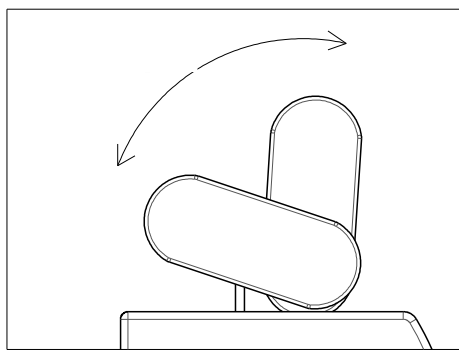
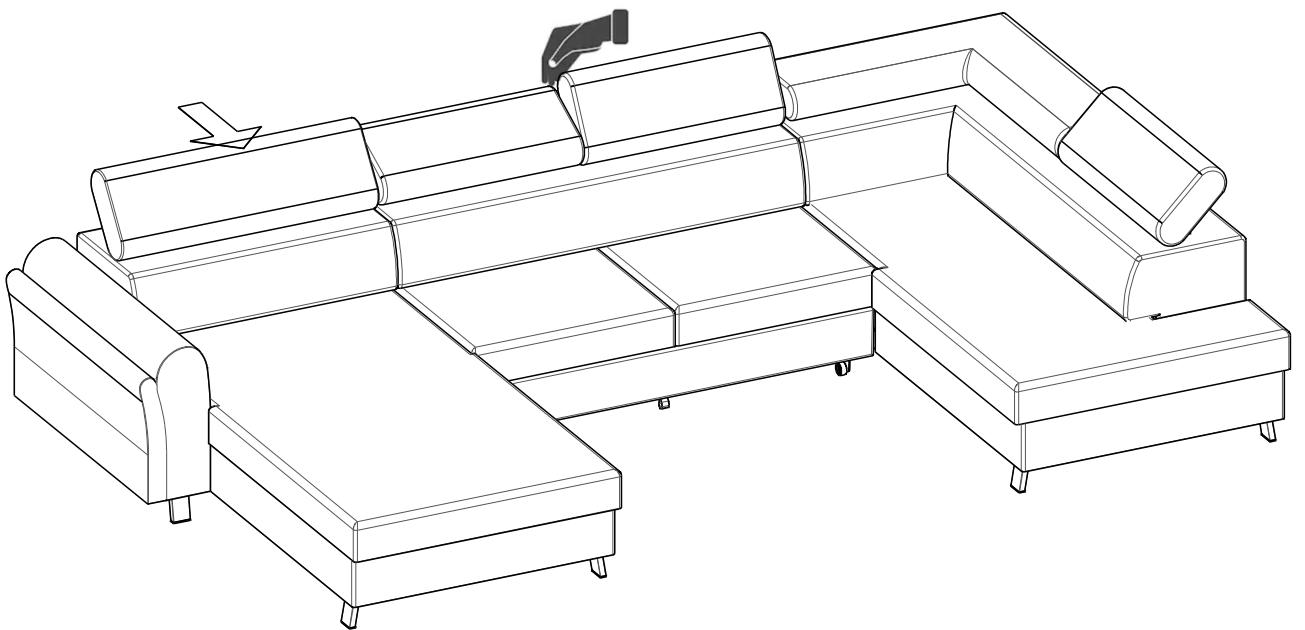
3)



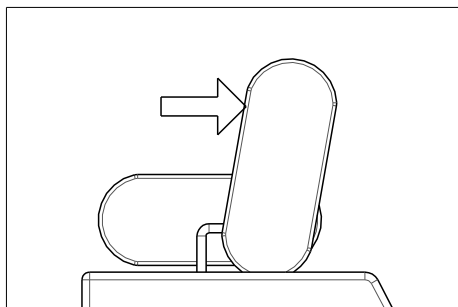
A



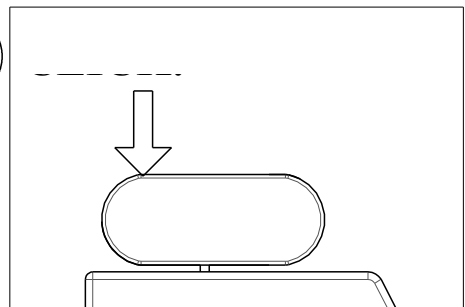
B



1



2



C

