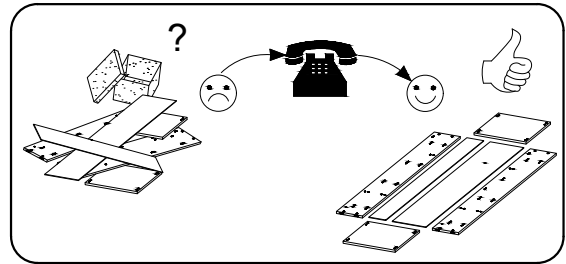
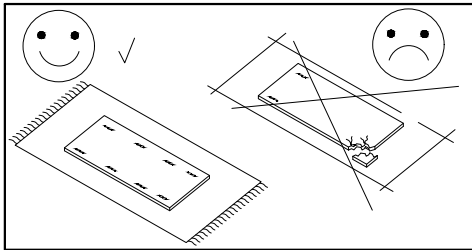
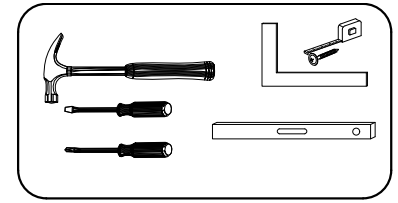
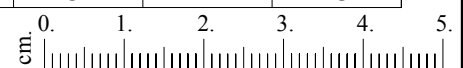


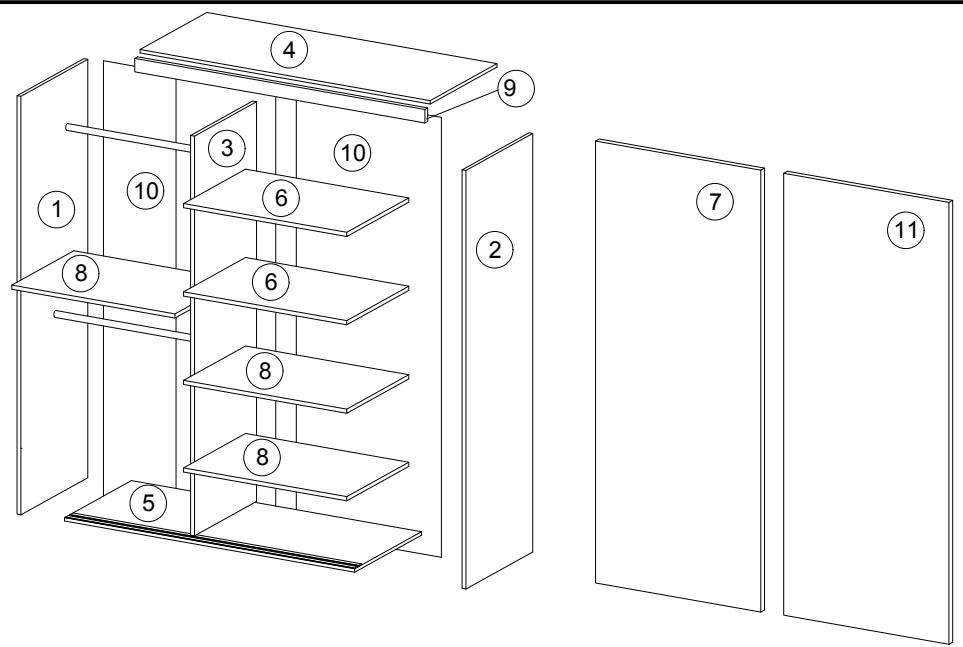
3 hours
3 zeit
3 godz.



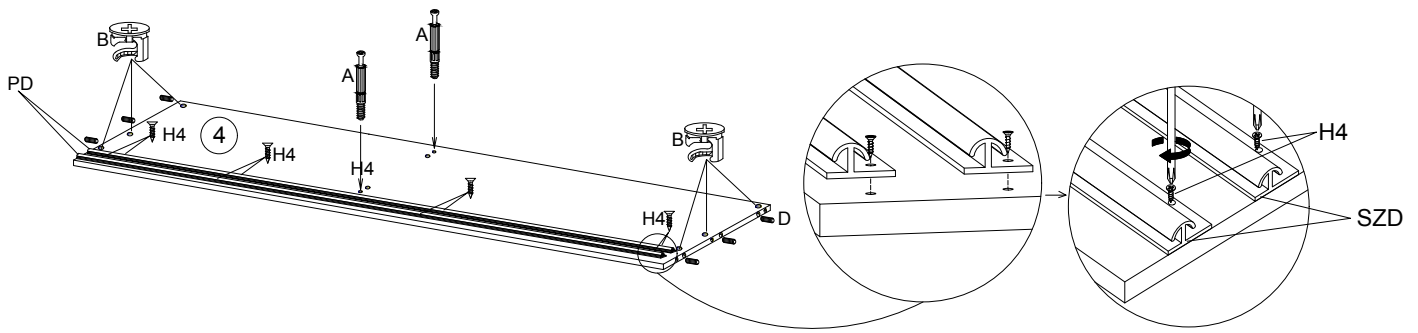
8.0x35 D	4.0x25 G	Y	A	B	3.5x16 H	V	N	K2	K1	S3
16	4	12	20	20	24	12	4	4	4	8
X	F	Ø-2.0 S	1.4x25 S1	I	L-465 V1	L-1850 L	6.3x13 Q	M8.0x30 W62	5.0mm Q2	M-8.0 N62
20	2	19	30	30	2	1	8	12	1	12
FL	NK	NM	PD	H4						
12	12	3	4	28						



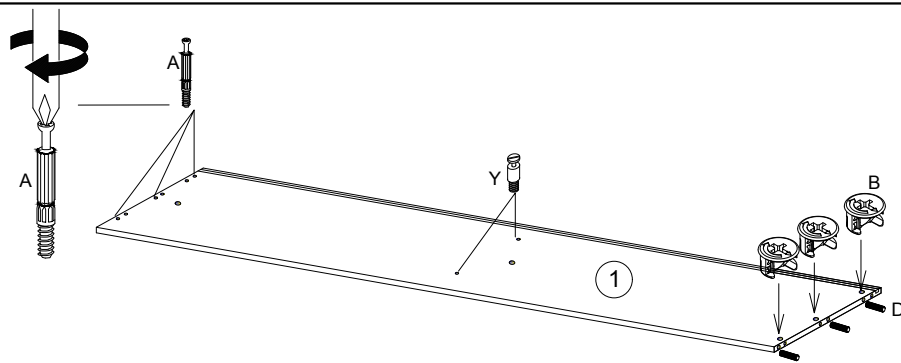
		L	W	D
1.	1	1905	620	16
2.	1	1905	620	16
3.	1	1888	480	16
4.	1	968	580	16
5.	1	1004	625	18
6.	2	475	480	16
7.	1	1873	500	16
8.	3	475	480	16
9.	1	968	70	18
10.	2	1912	492	3
11.	1	1873	500	16



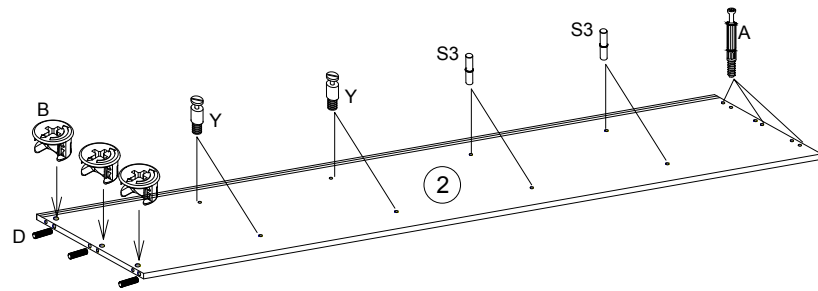
1



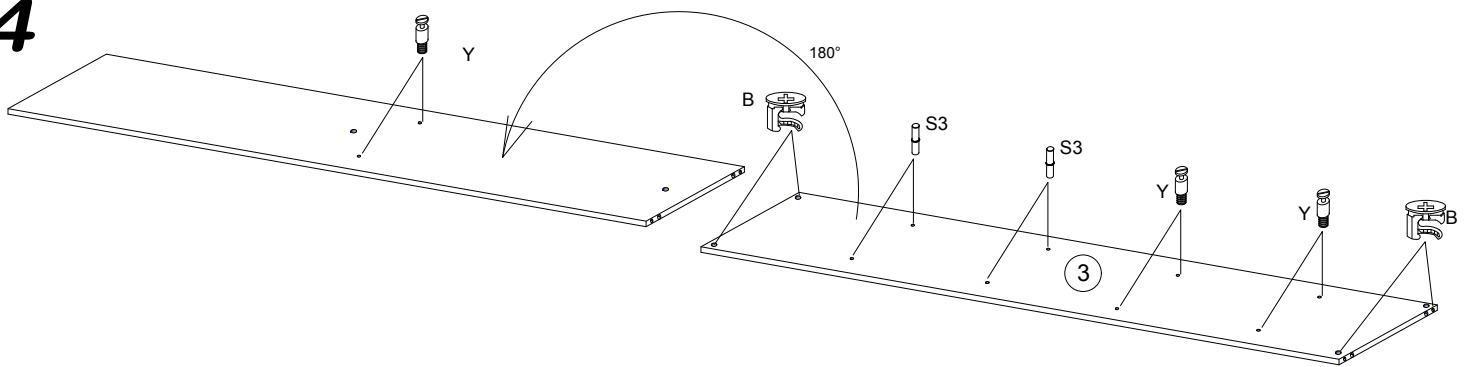
2

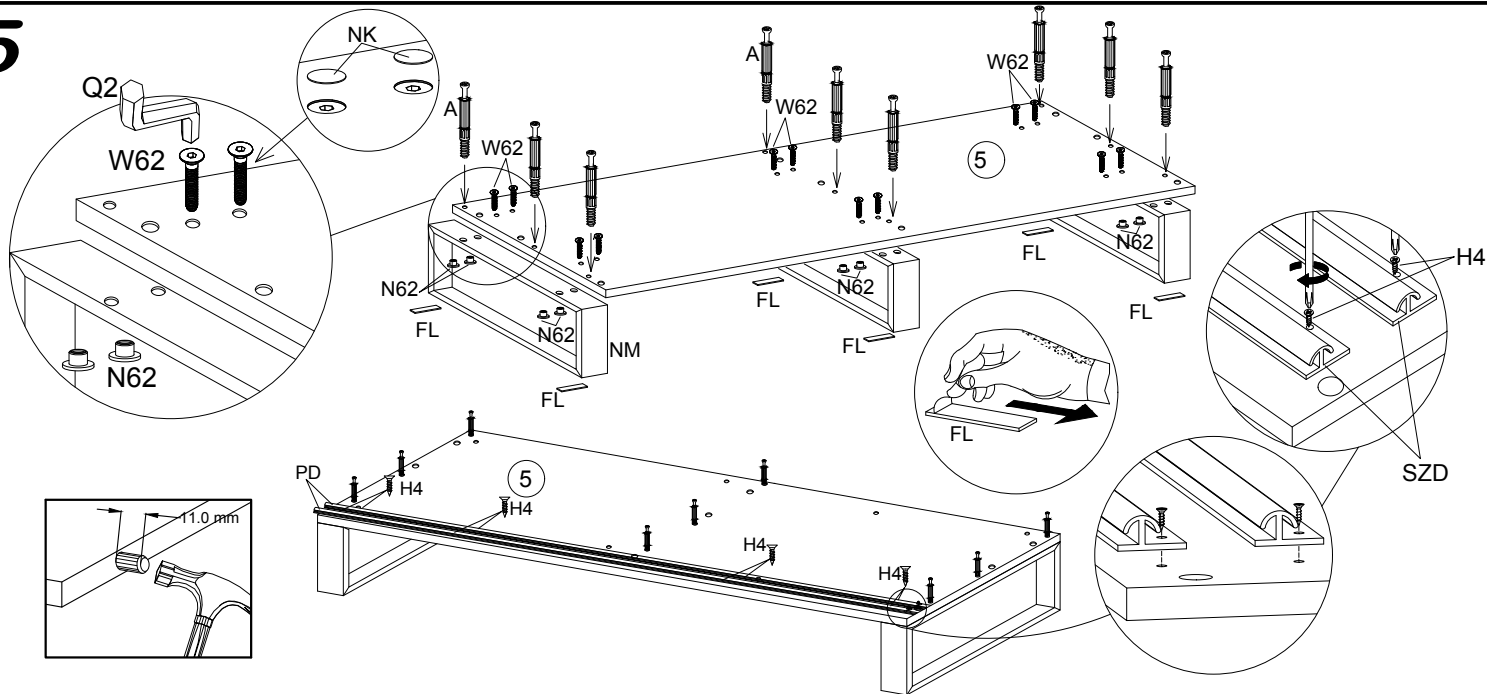
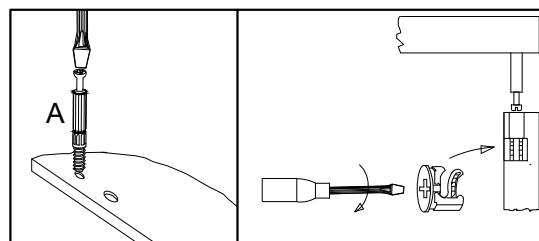
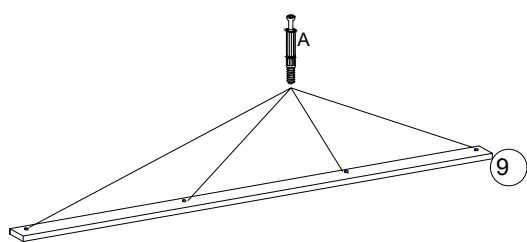
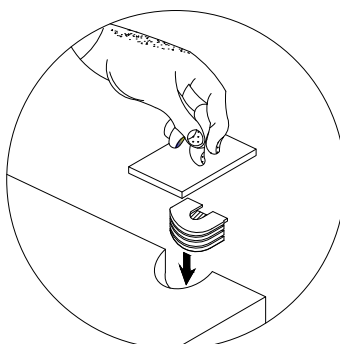
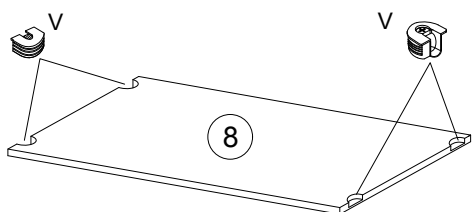
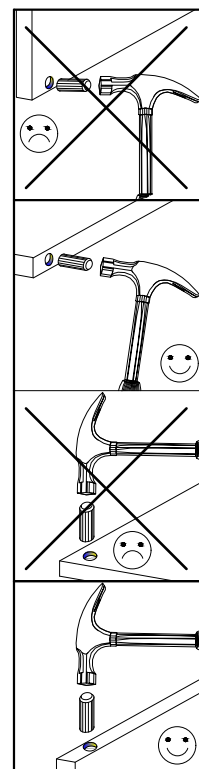
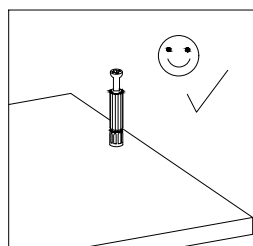
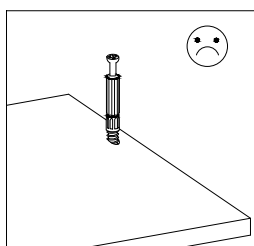
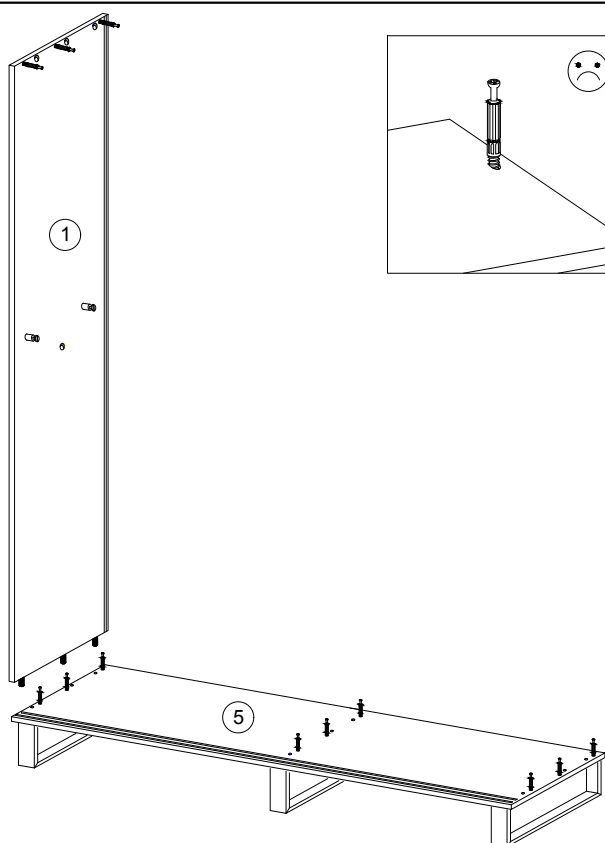


3

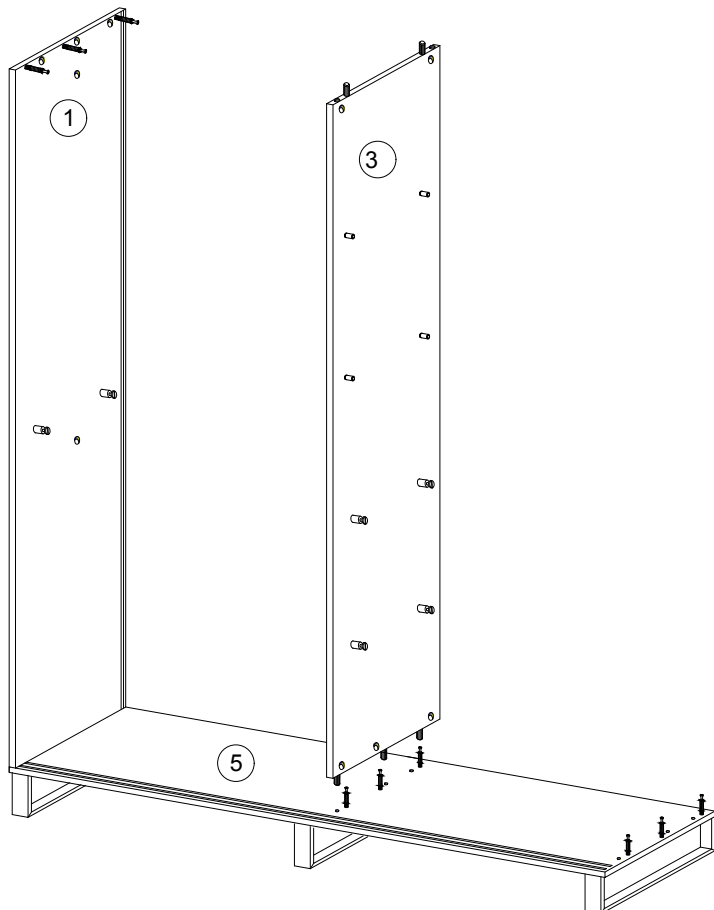


4

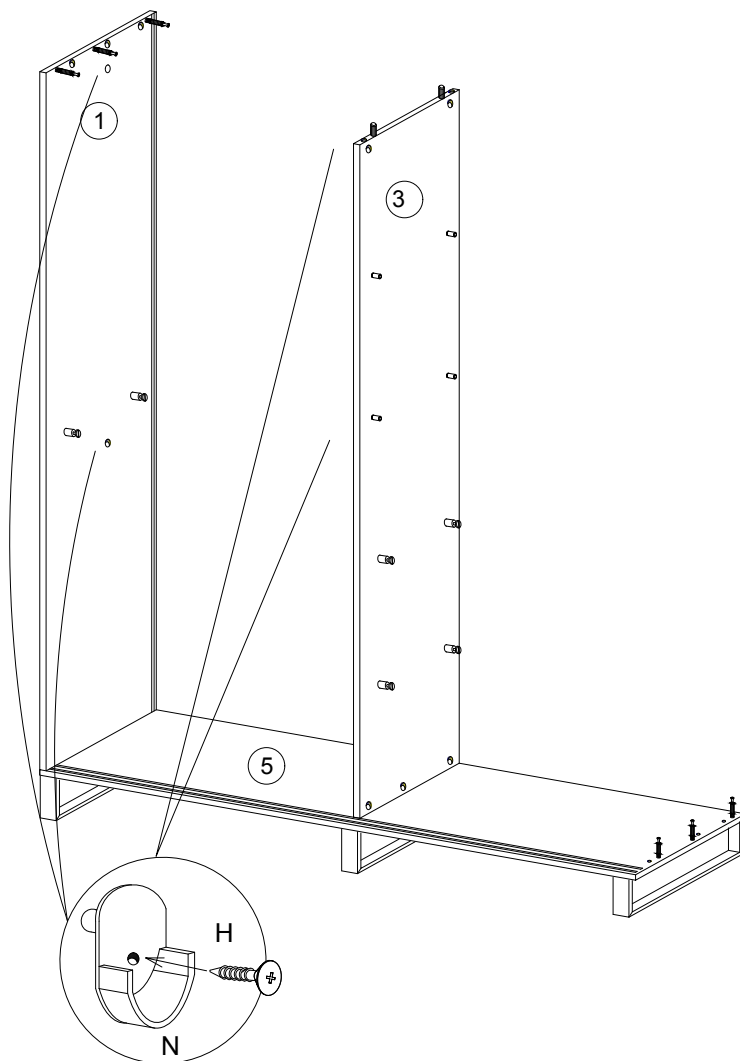


5**6****7****8**

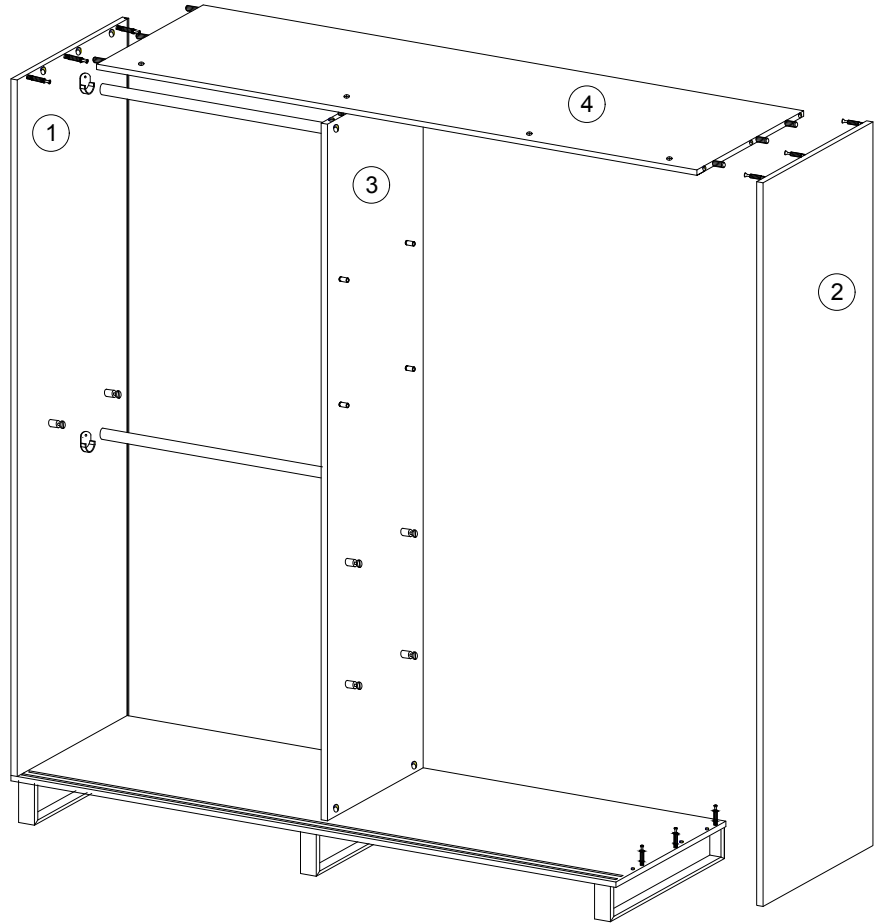
9



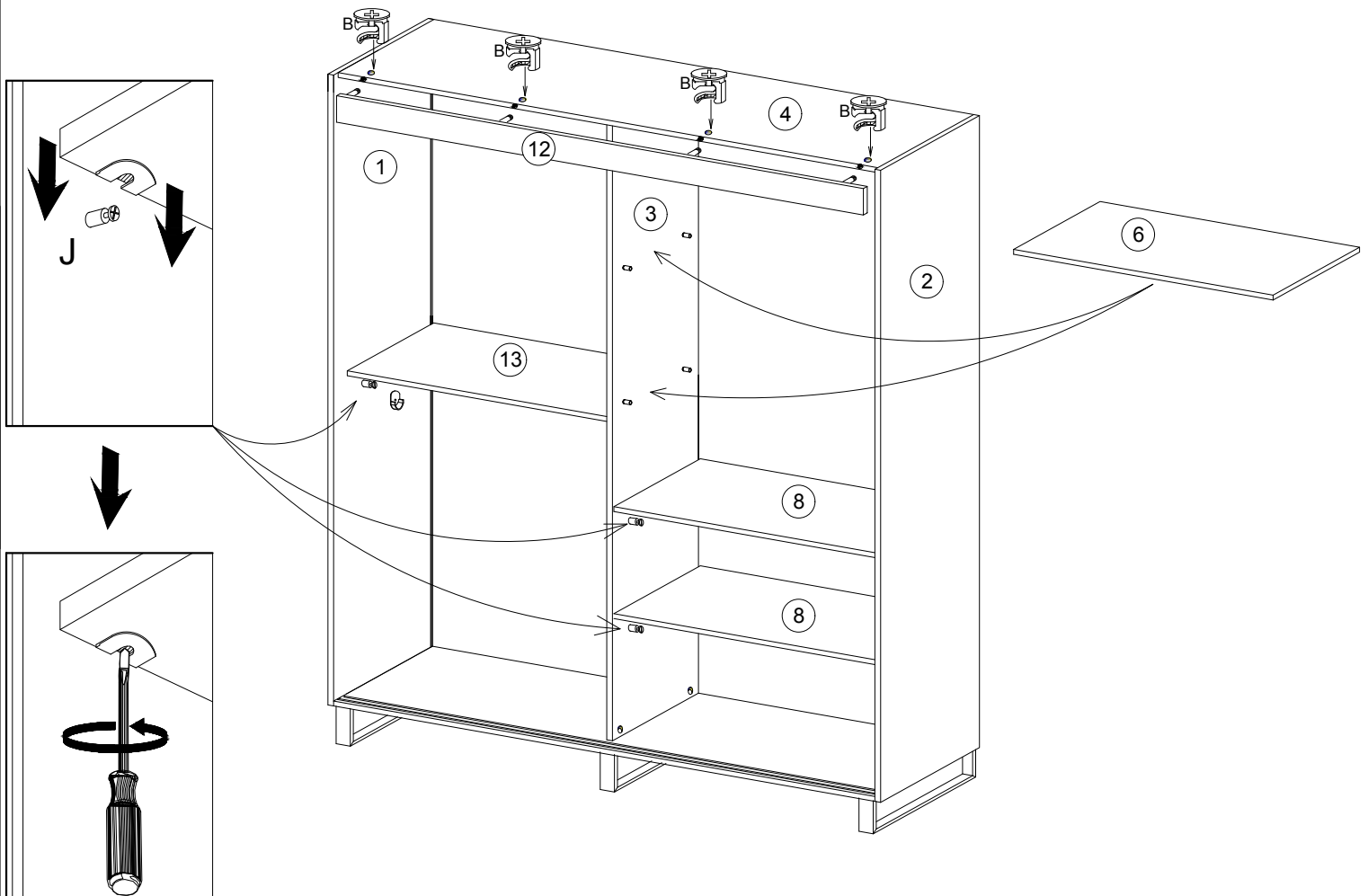
10



11

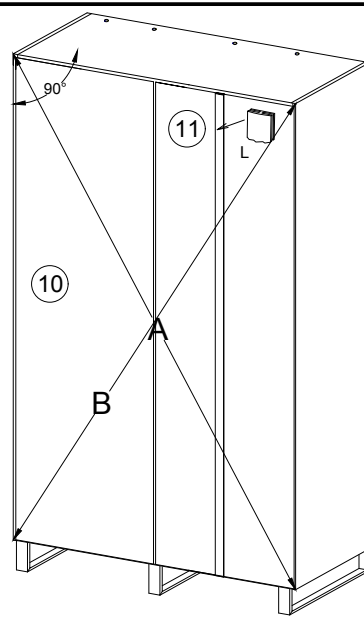


12

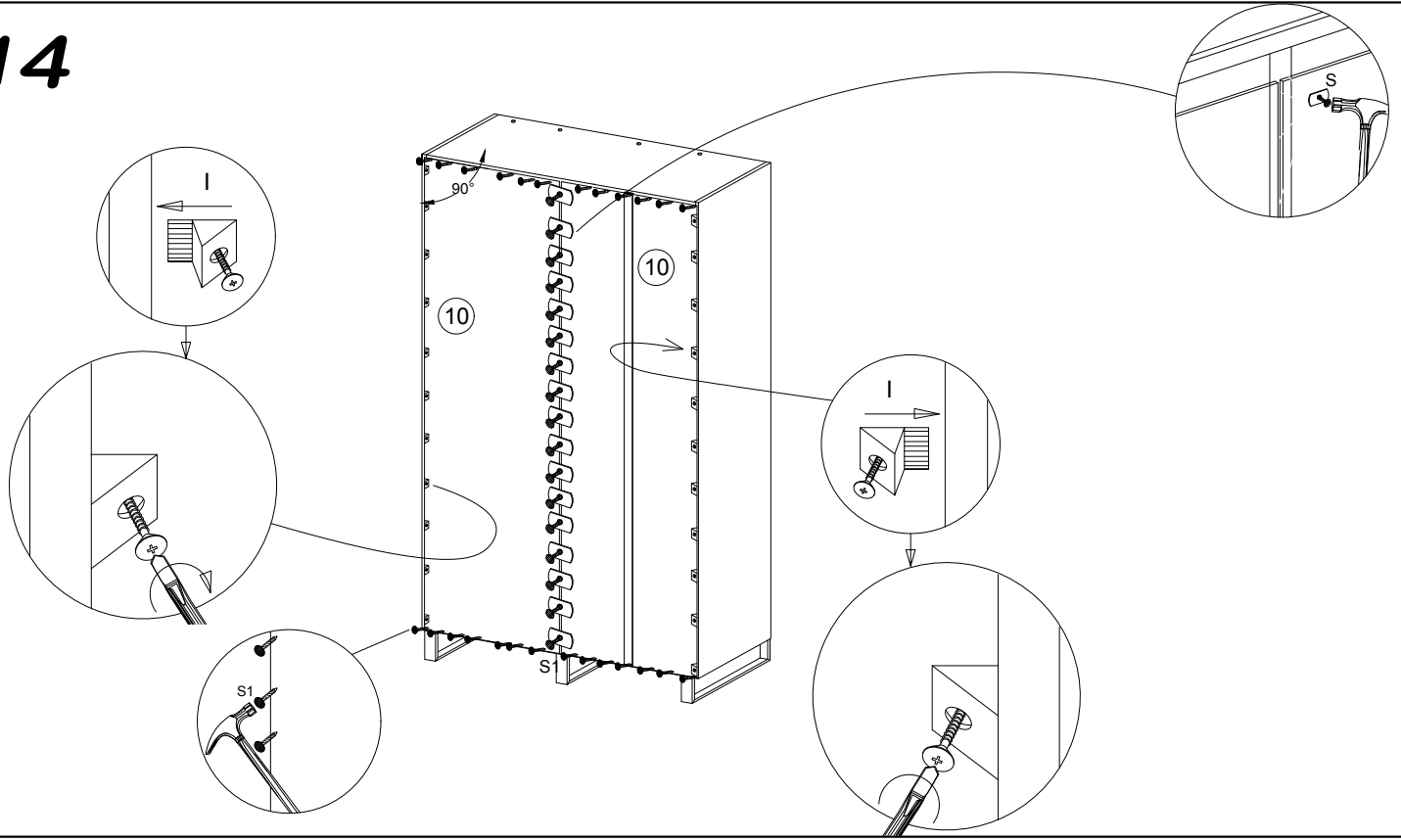


13

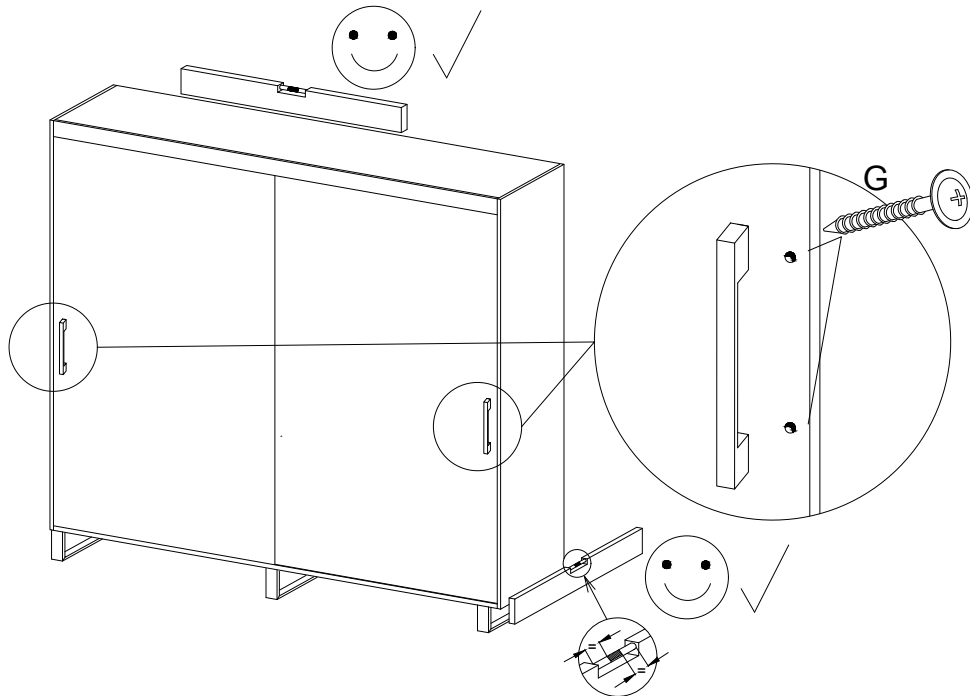
$A=B$

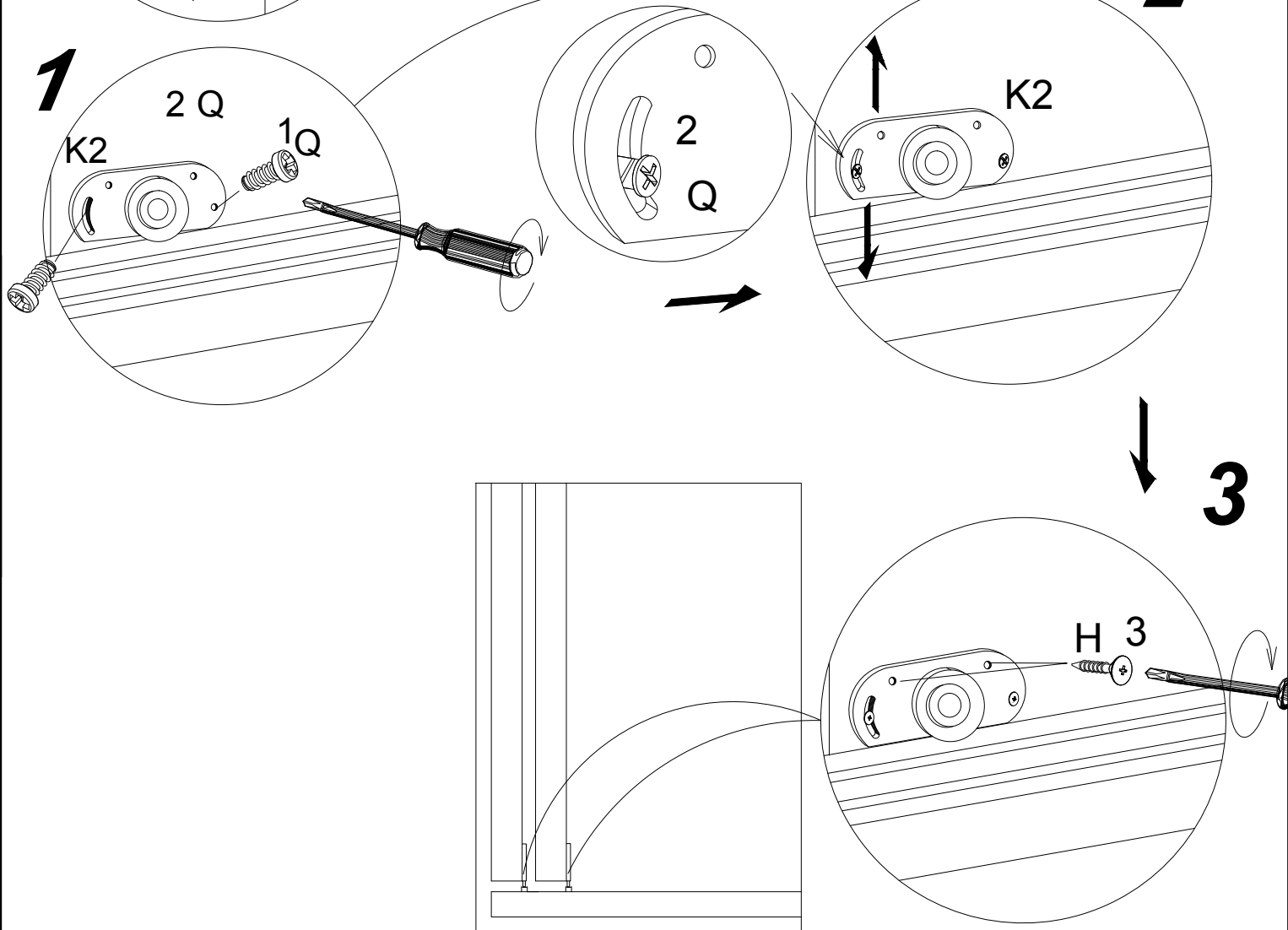
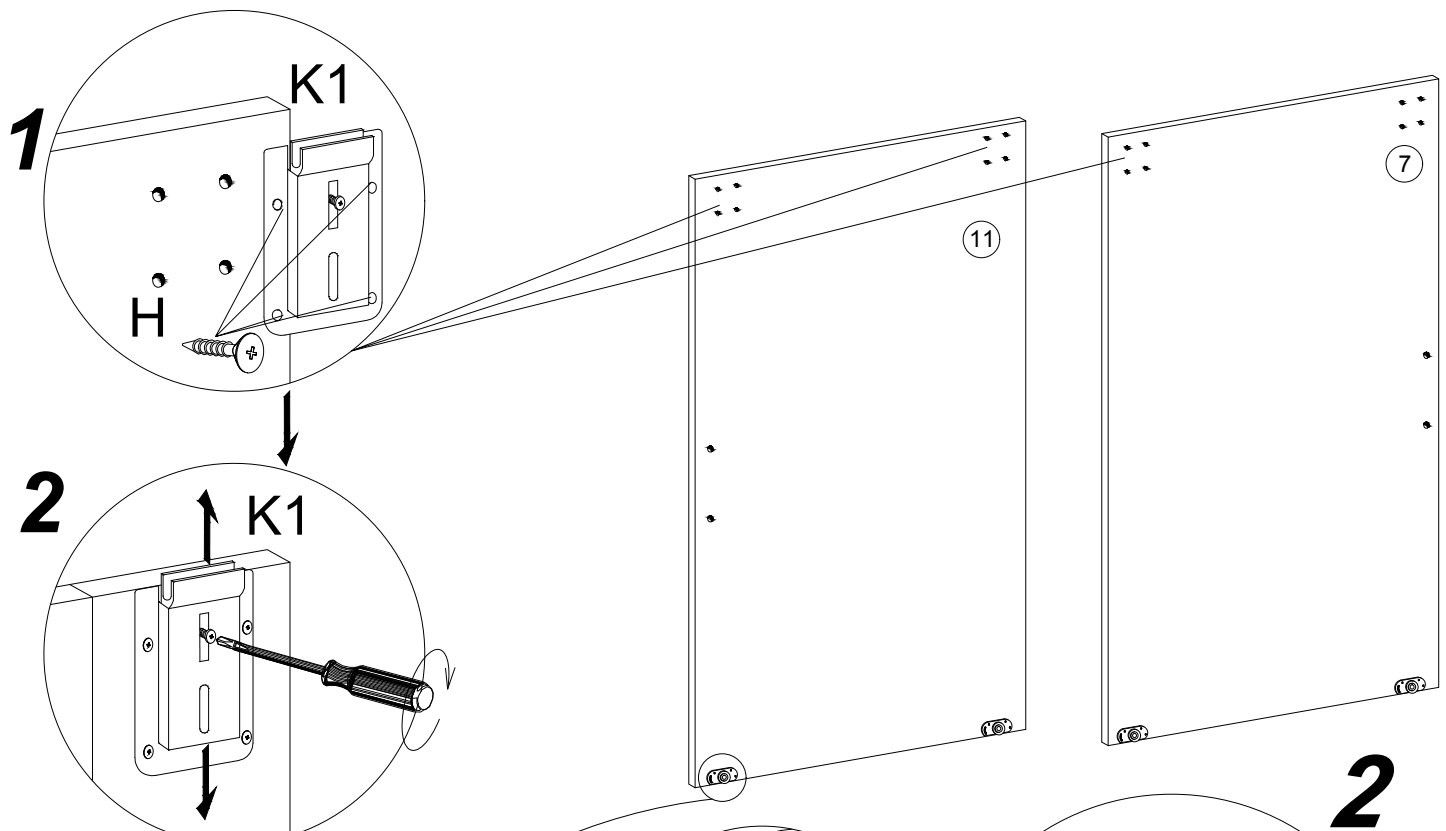


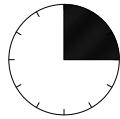
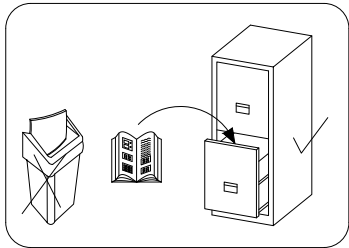
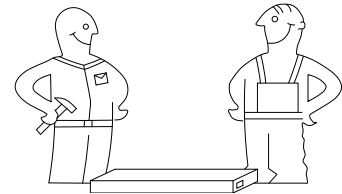
14



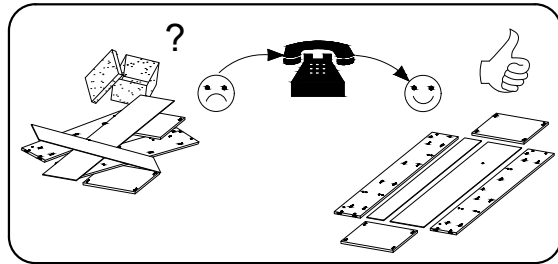
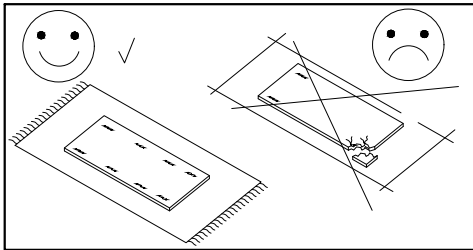
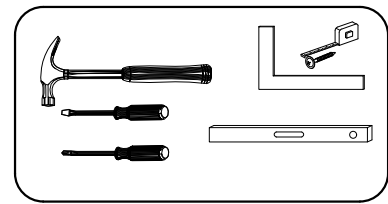
15



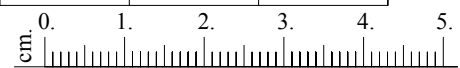




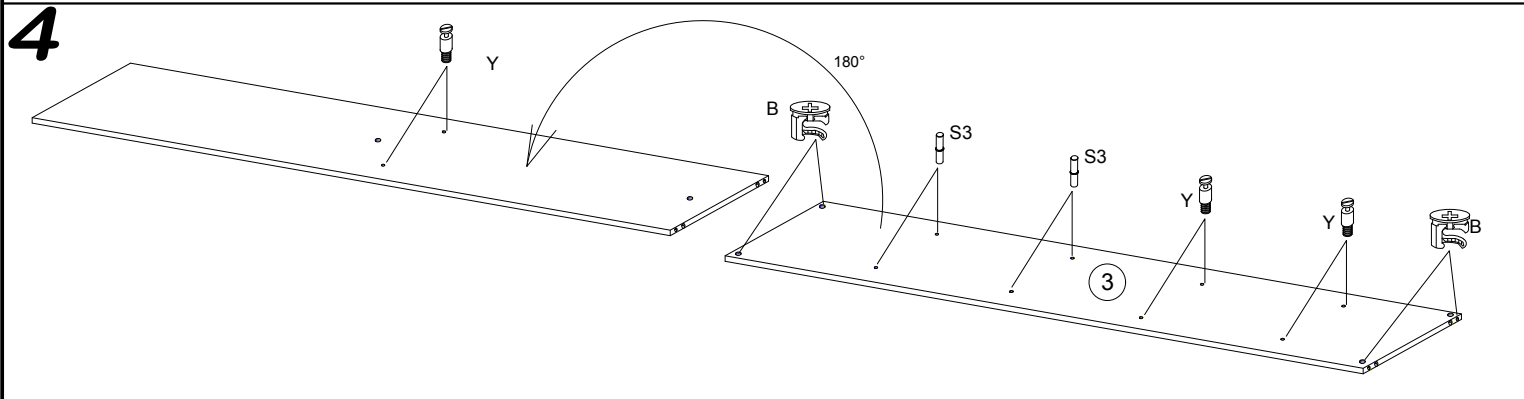
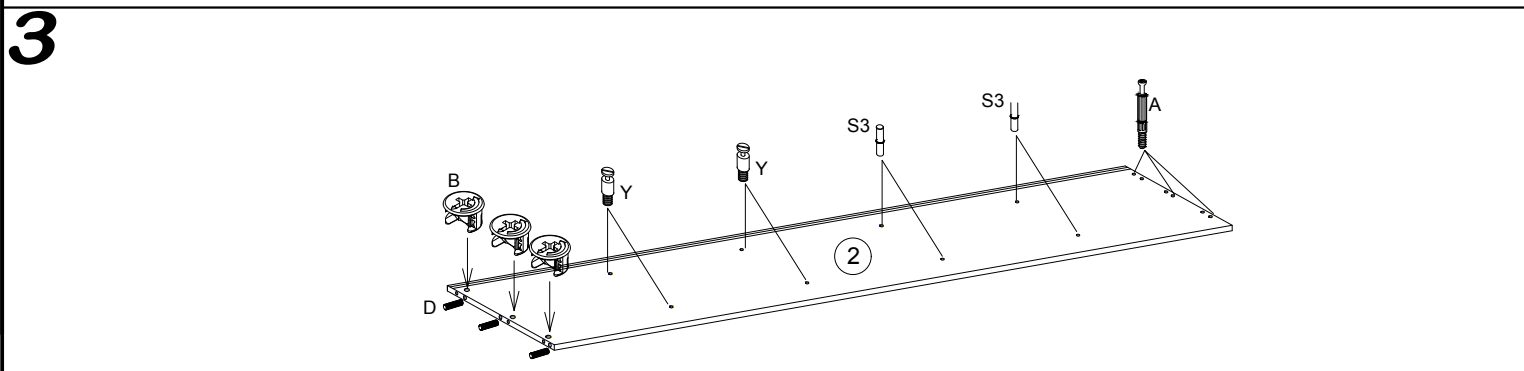
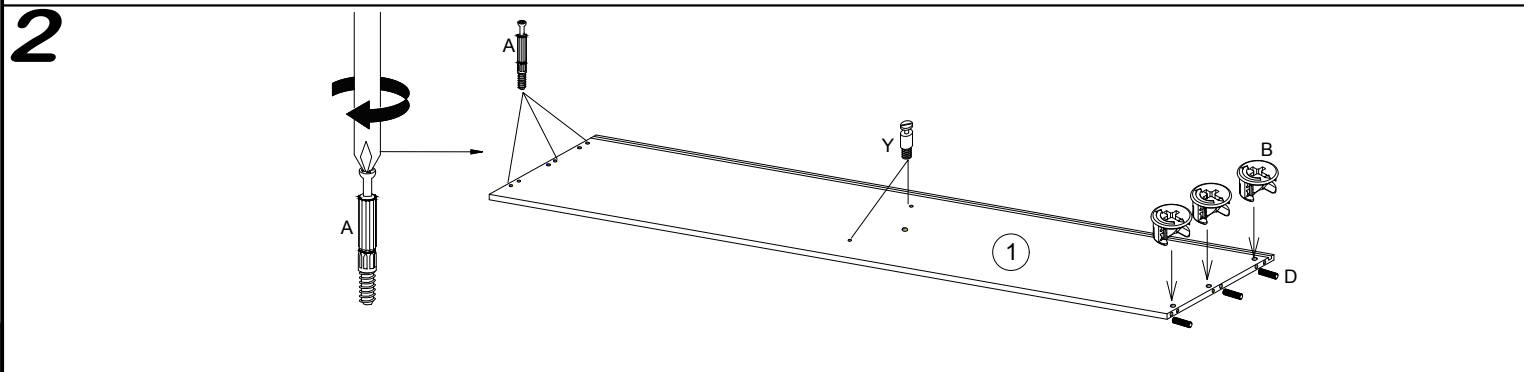
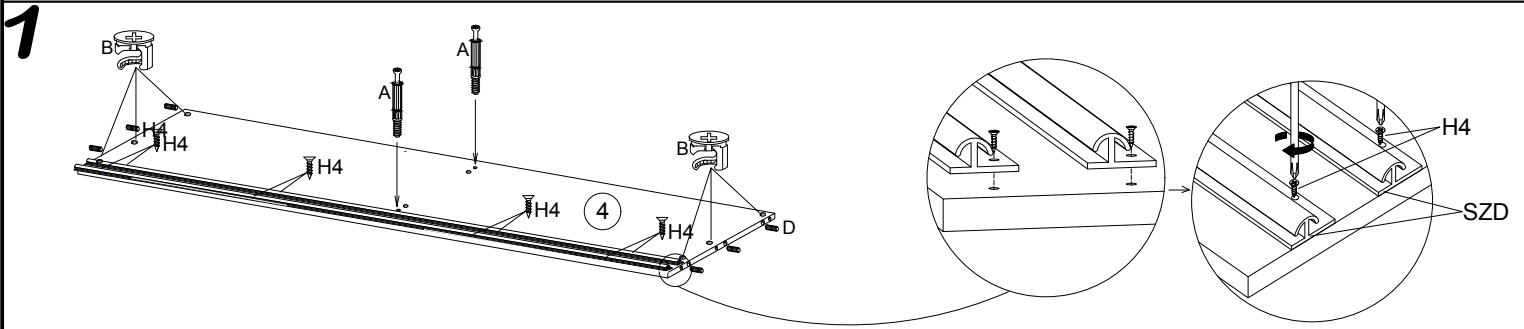
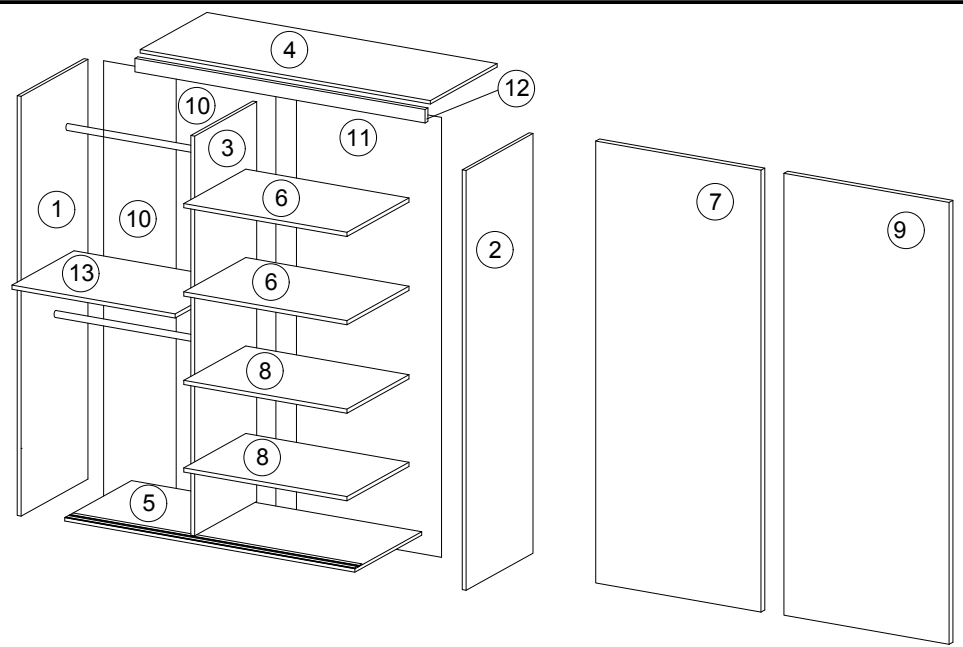
3 hours
3 zeit
3 godz.



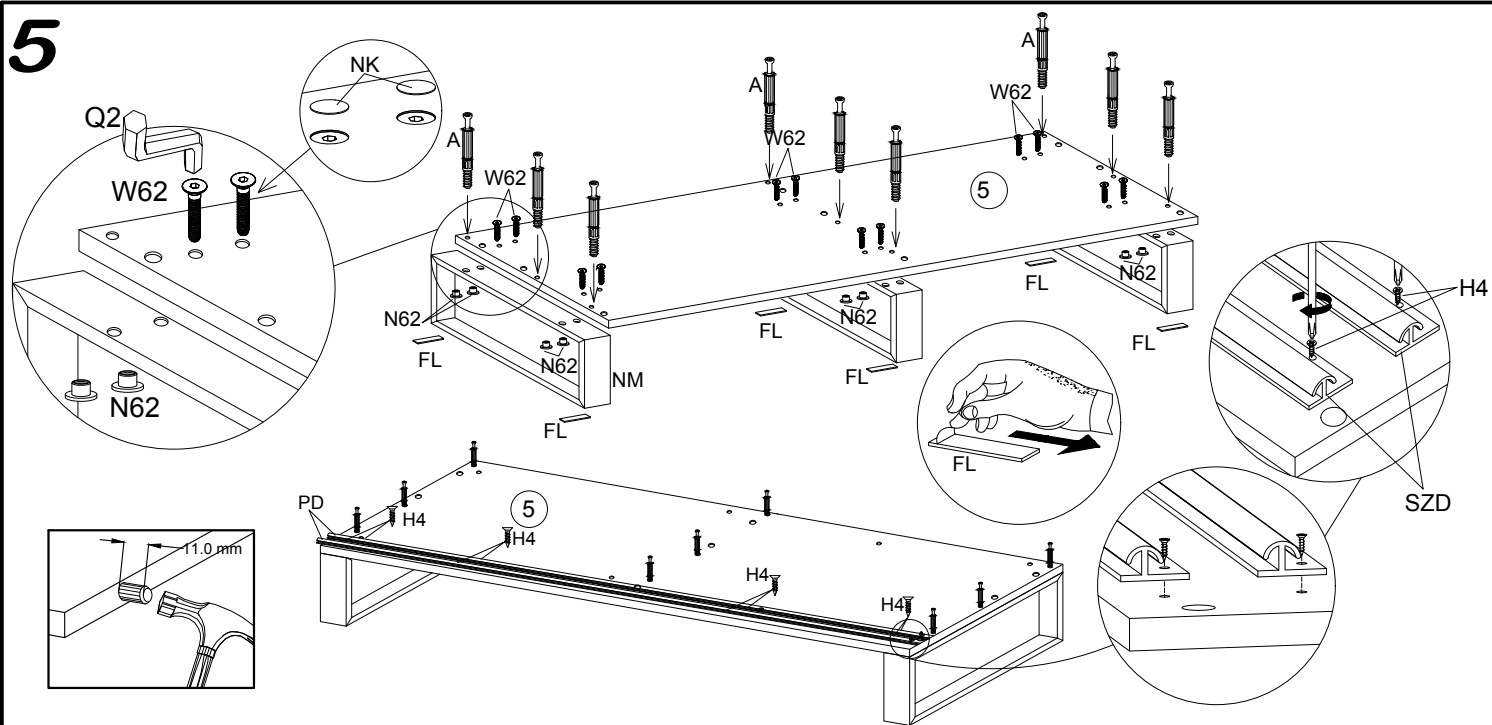
8.0x35 D 16	4.0x25 G 4	 Y 12	 A 20	 B 20	3.5x16 H 24	 V 12	 N 4	 K2 4	 K1 4	 S3 8
 X 20	 F 2	Ø-2.0 S 19	1.4x25 S1 30	 I 30	L-465 V1 2	L-1850 L 1	6.3x13 Q 8	M8.0x30 W62 12	5.0mm Q2 1	M-8.0 N62 12
						50x15x3 FL 12	Ø-20.0 NK 12	 NM 3	 PD 4	3.0x13 H4 28



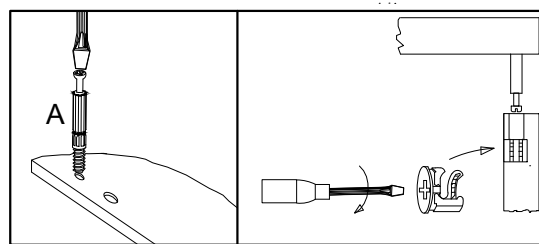
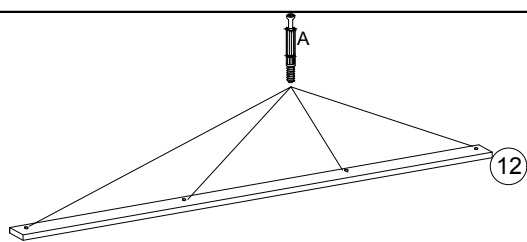
		L	W	D
1.	1	1905	620	16
2.	1	1905	620	16
3.	1	1888	480	16
4.	1	1168	580	16
5.	1	1204	625	18
6.	2	475	480	6.
7.	1	1873	600	16
8.	2	475	480	16
9.	2	1873	600	16
10.	2	1912	346	3
11.	1	1912	492	3
12.	1	1168	70	18
13.	2	676	480	16



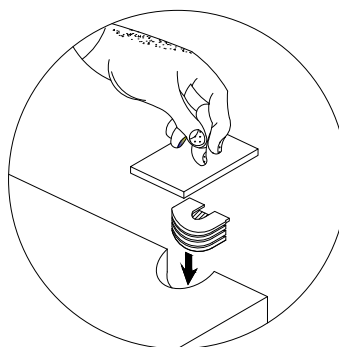
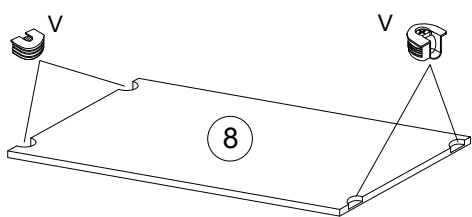
5



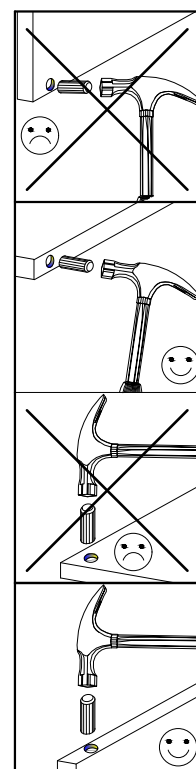
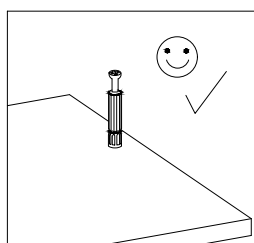
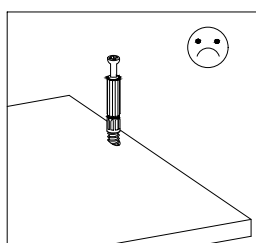
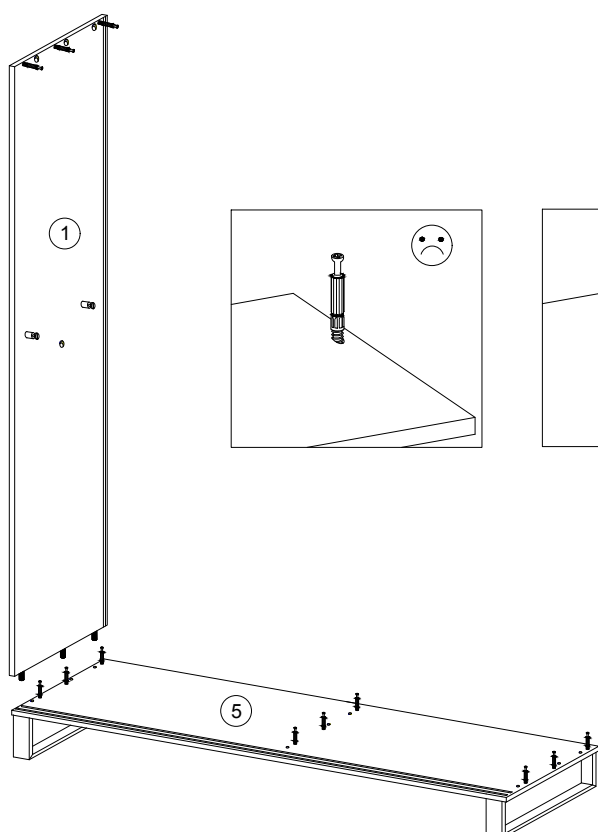
6



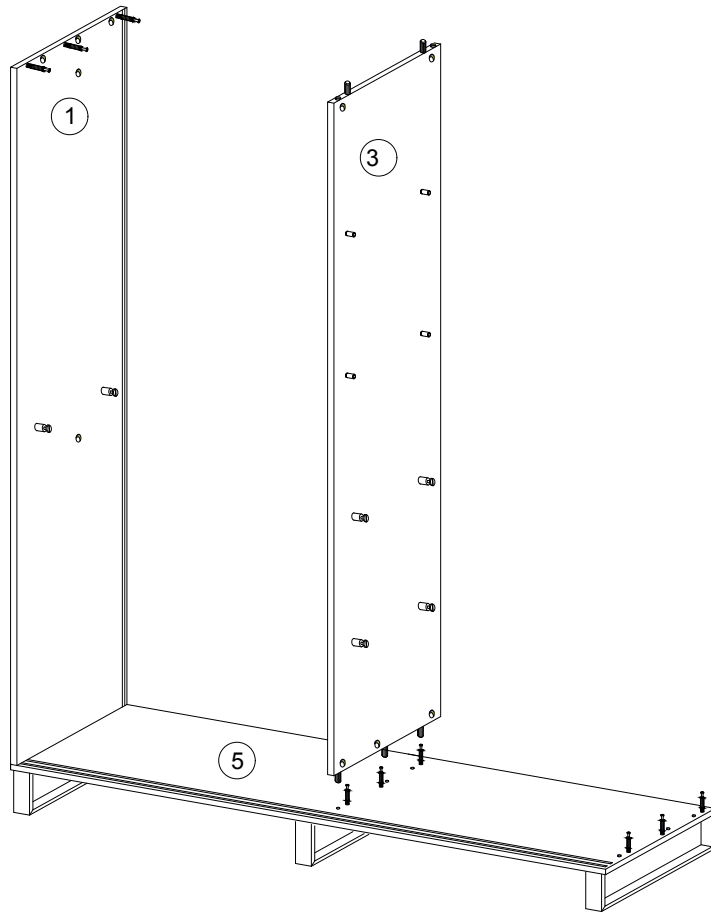
7



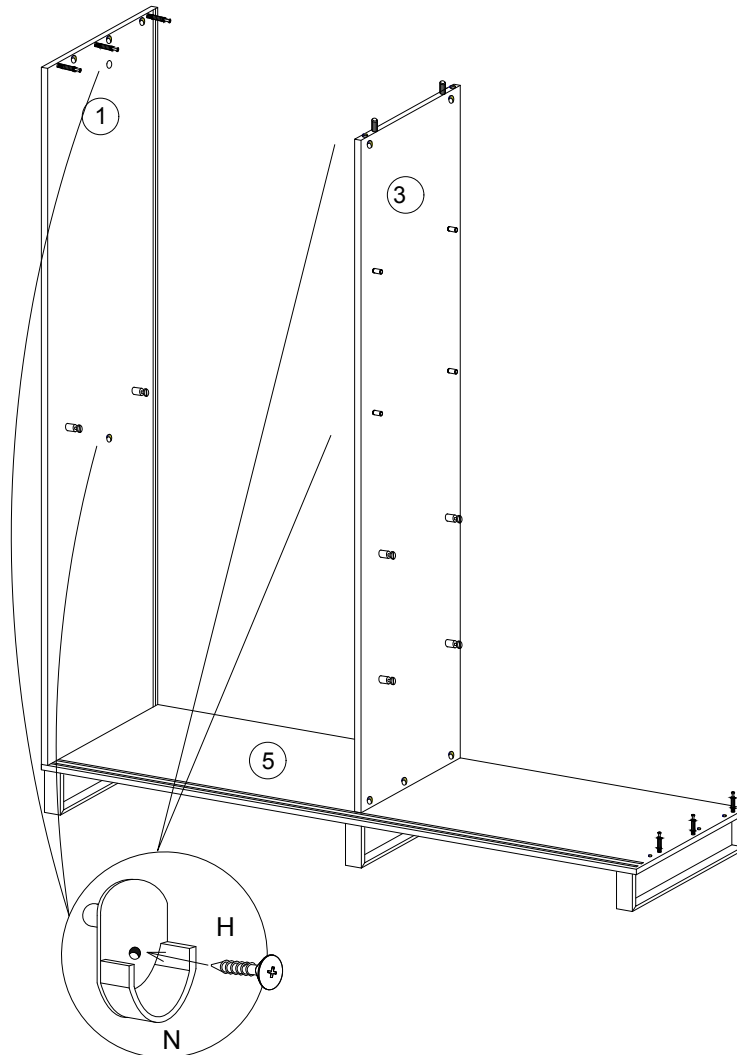
8



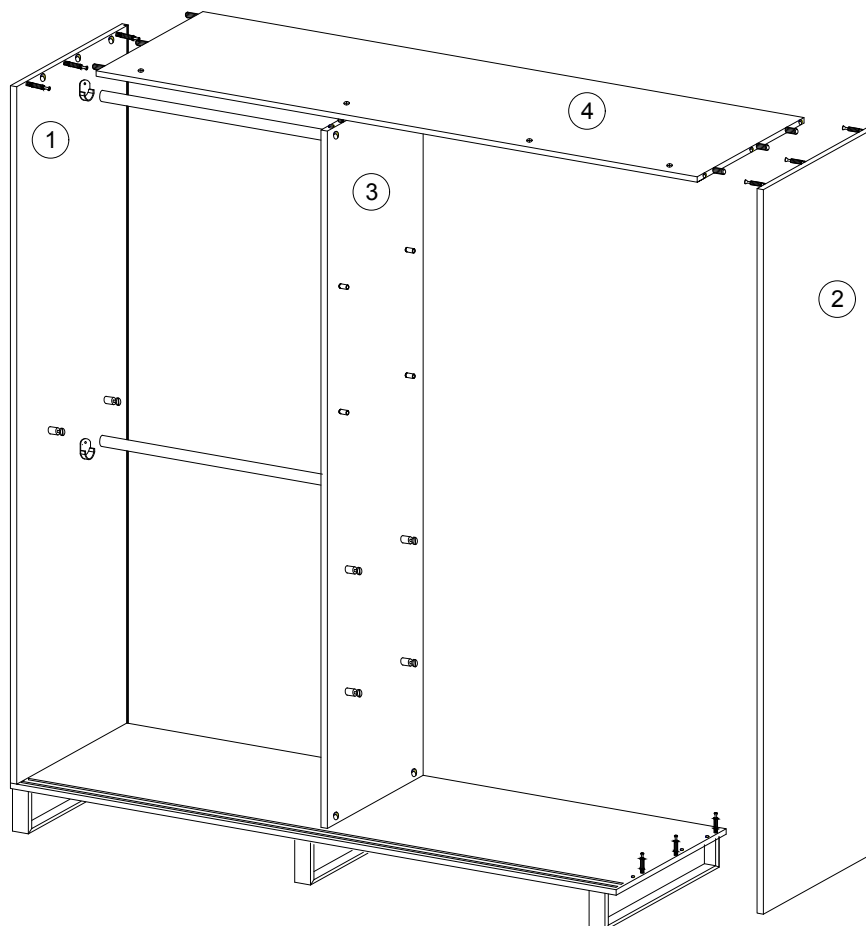
9



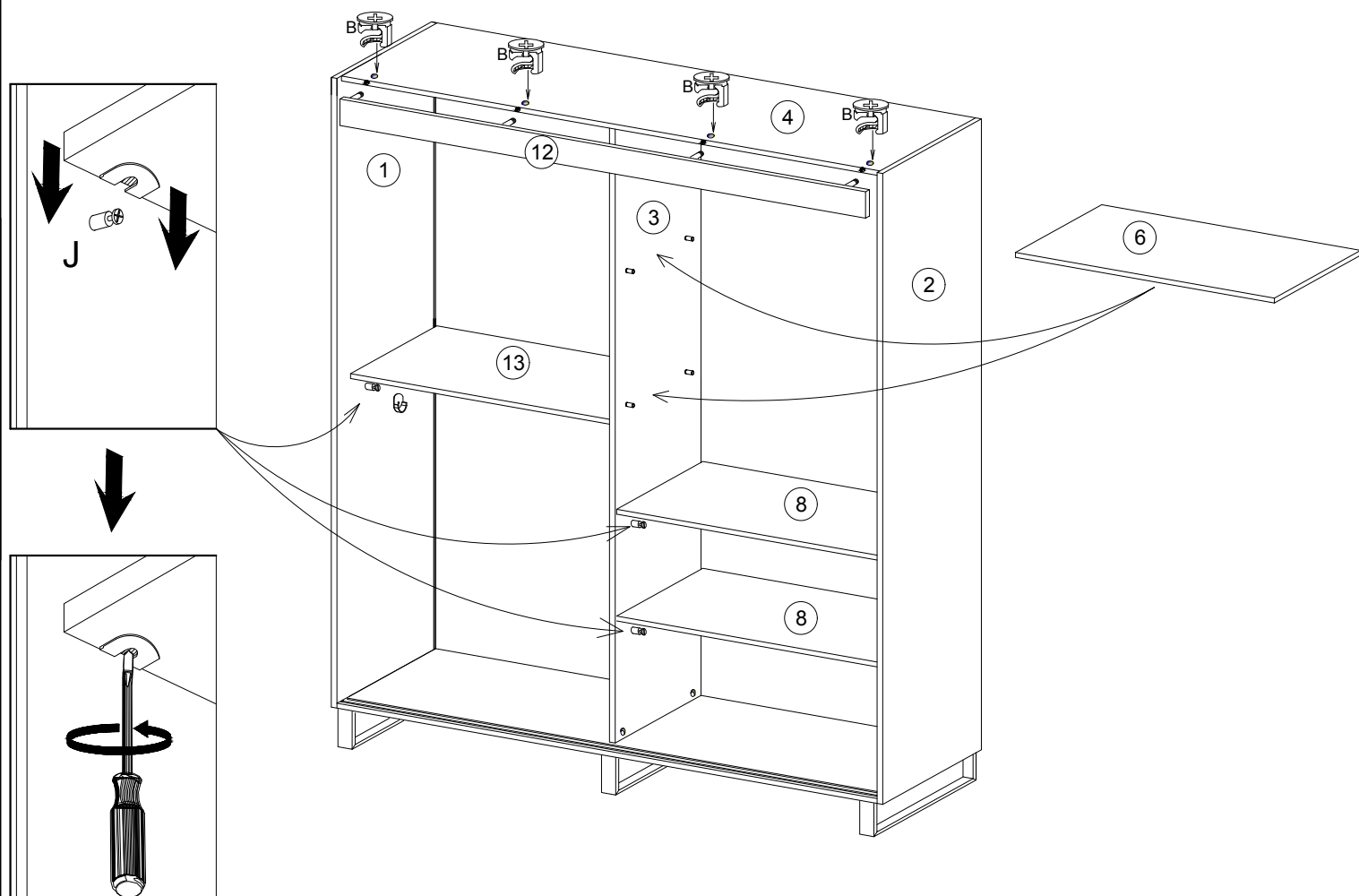
10



11

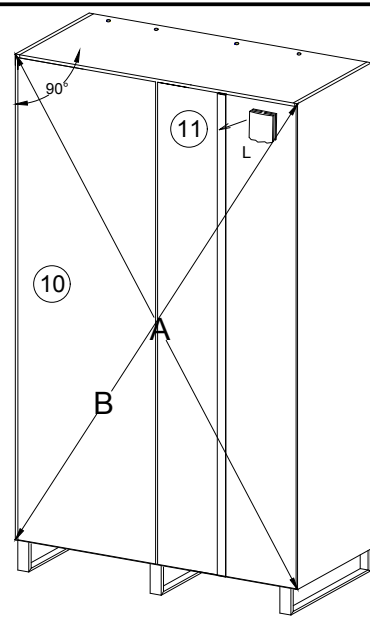


12

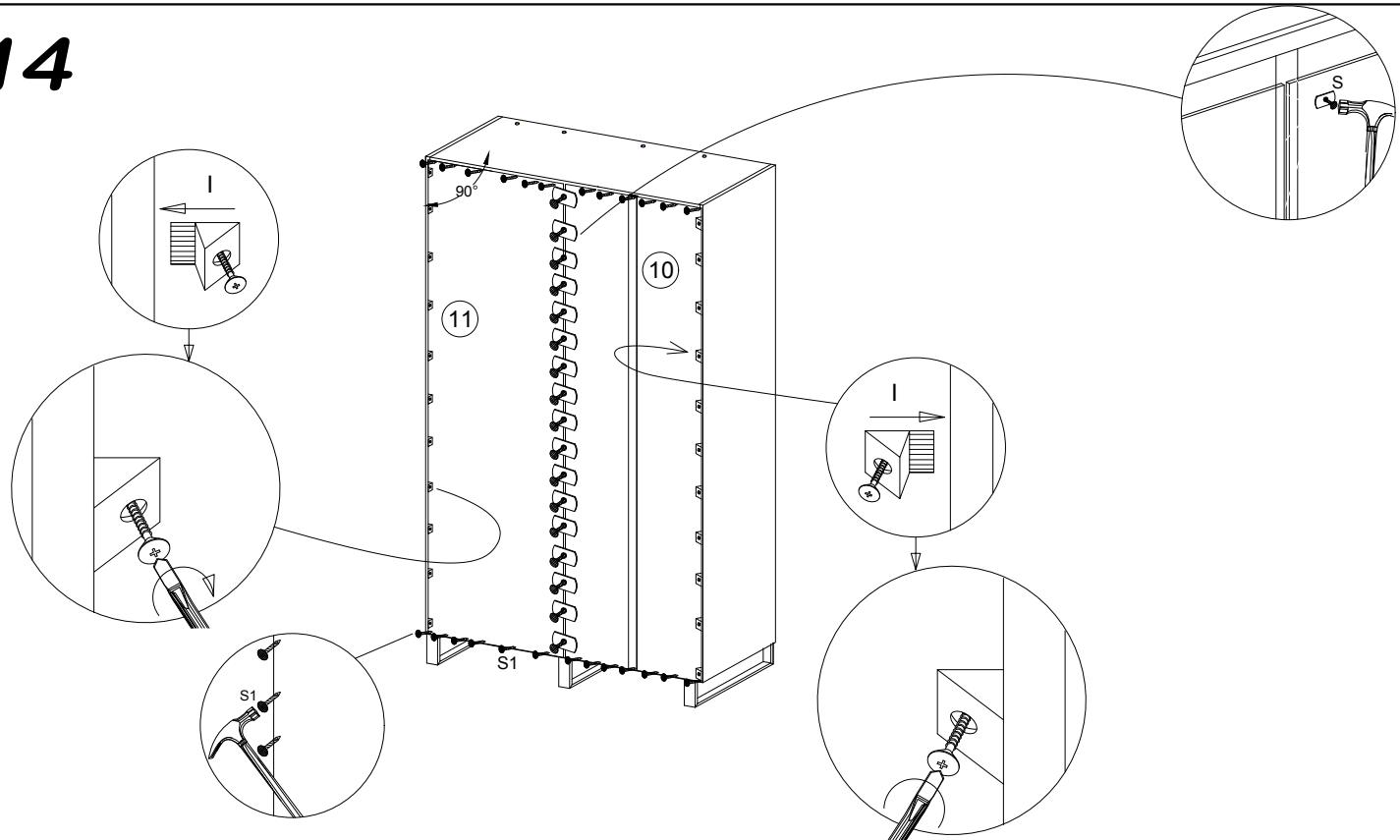


13

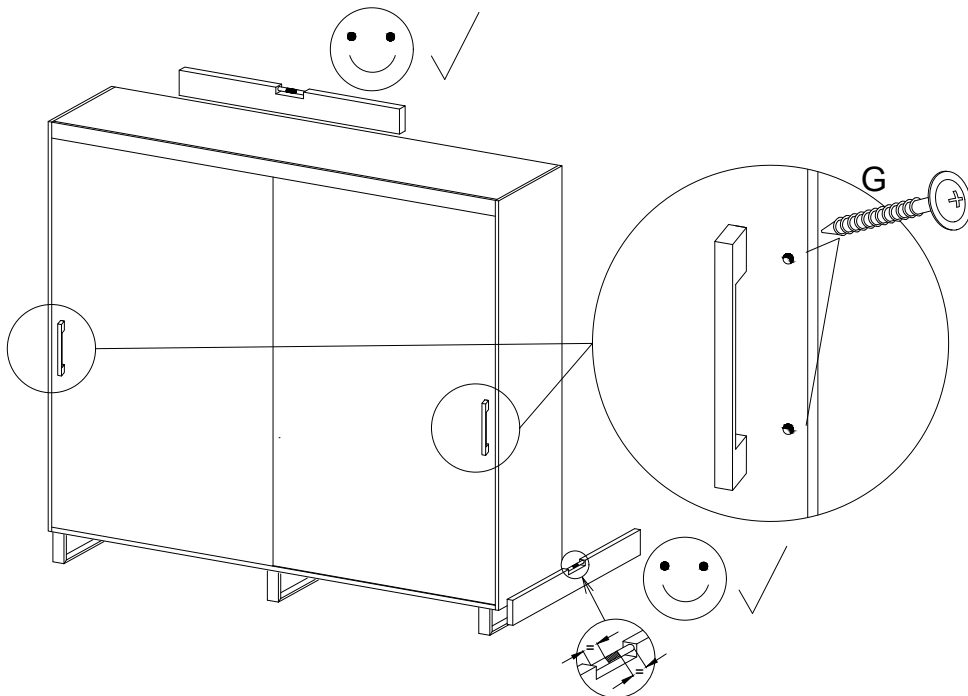
$A=B$

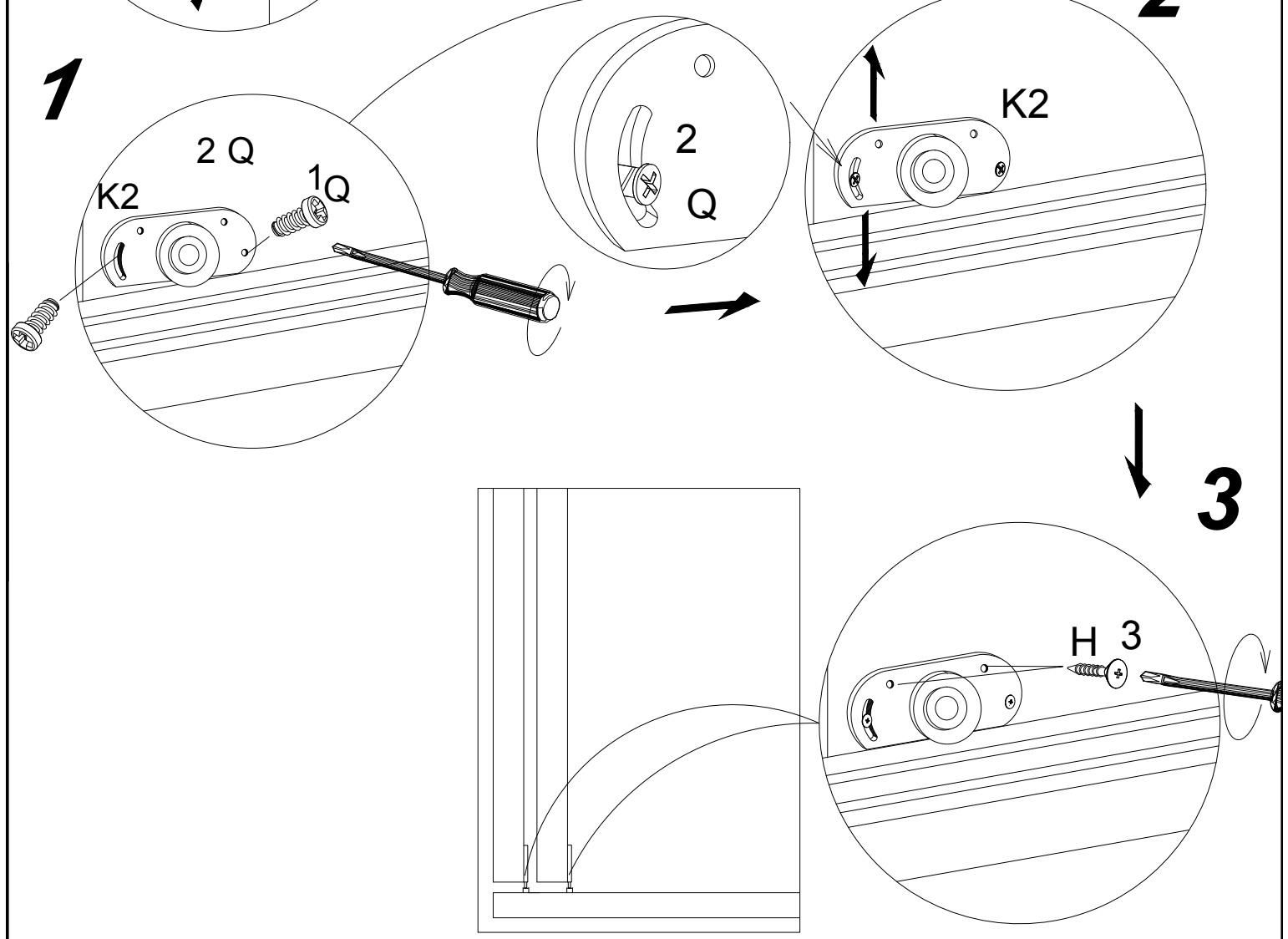
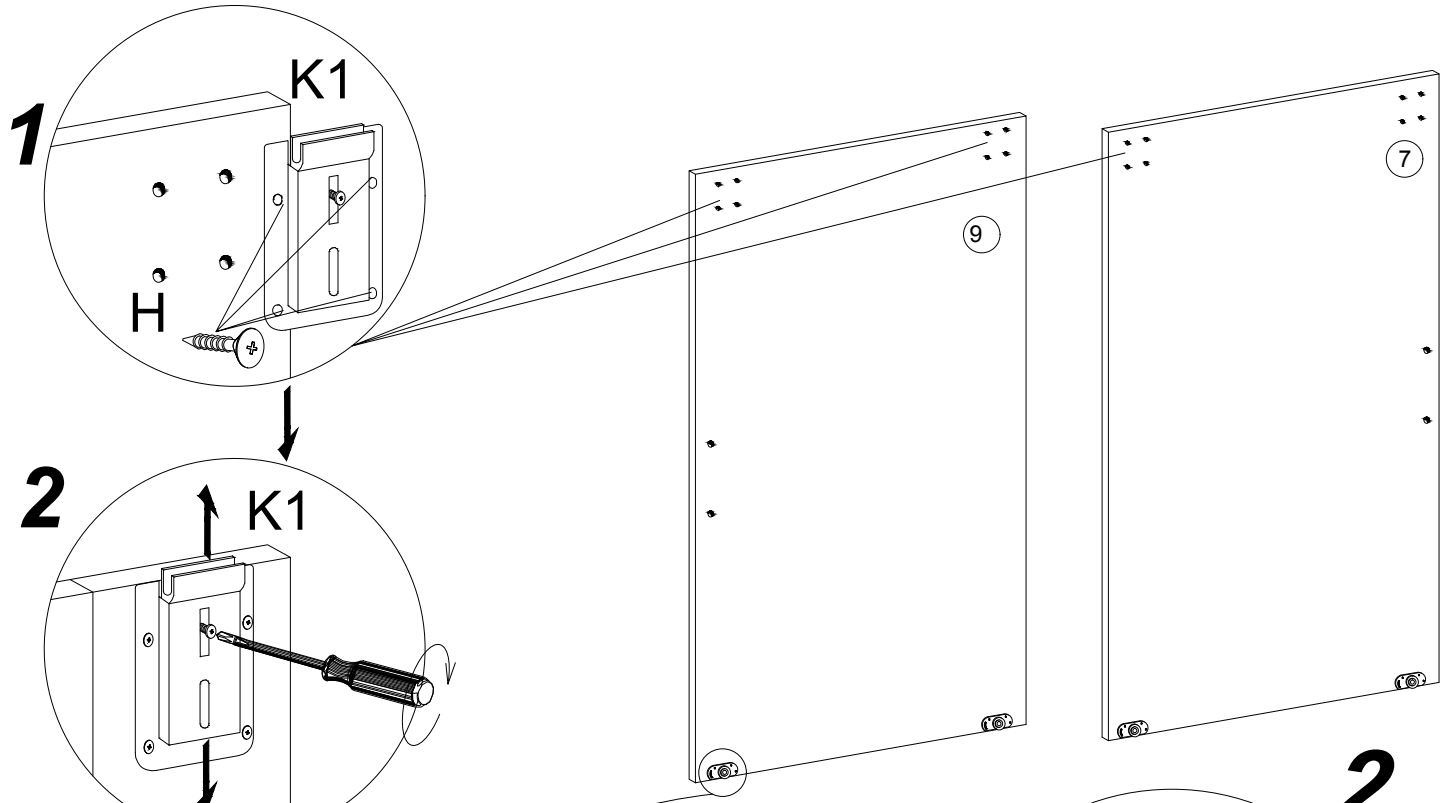


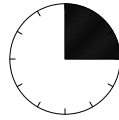
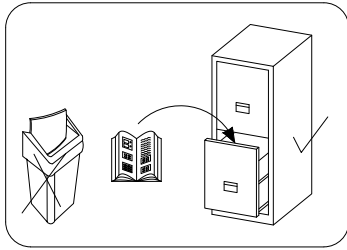
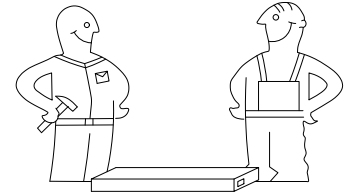
14



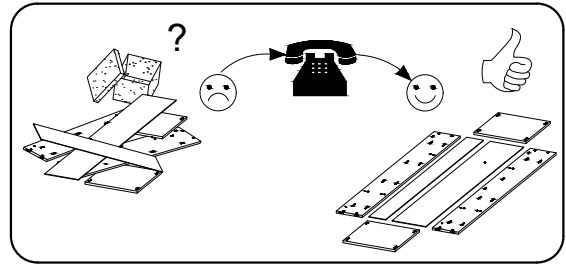
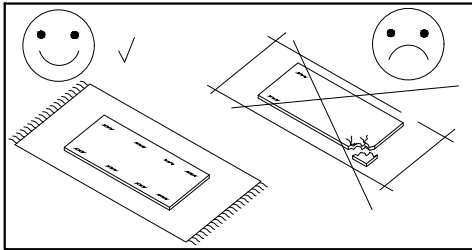
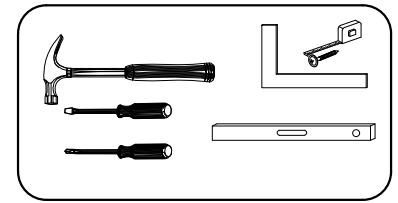
15



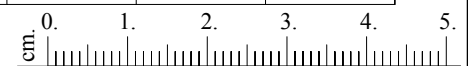




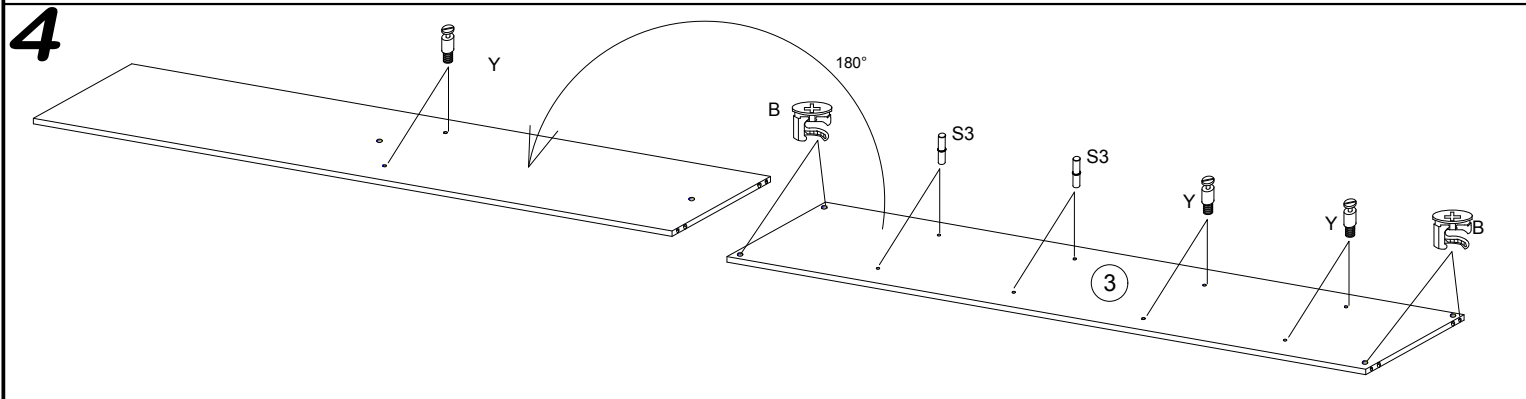
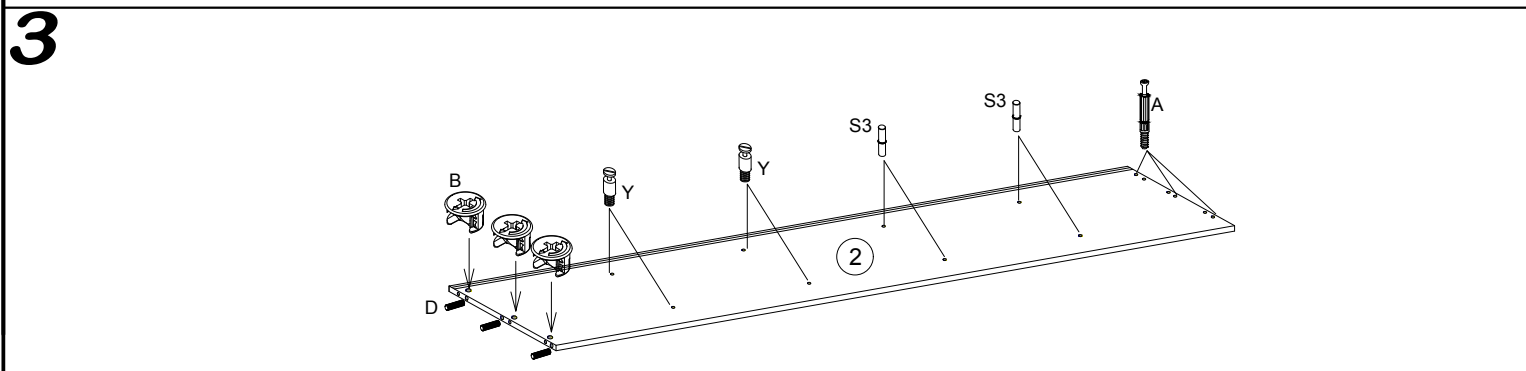
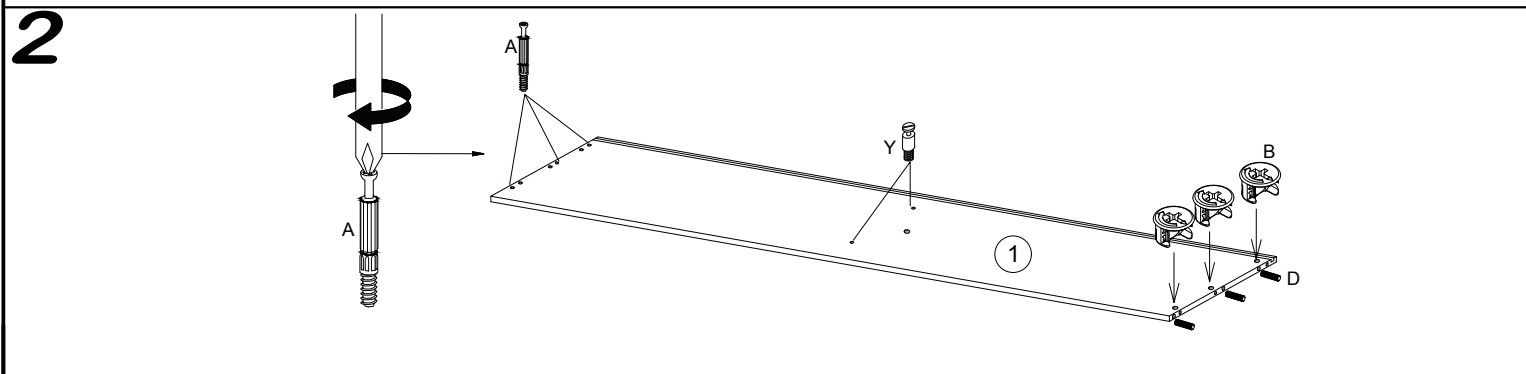
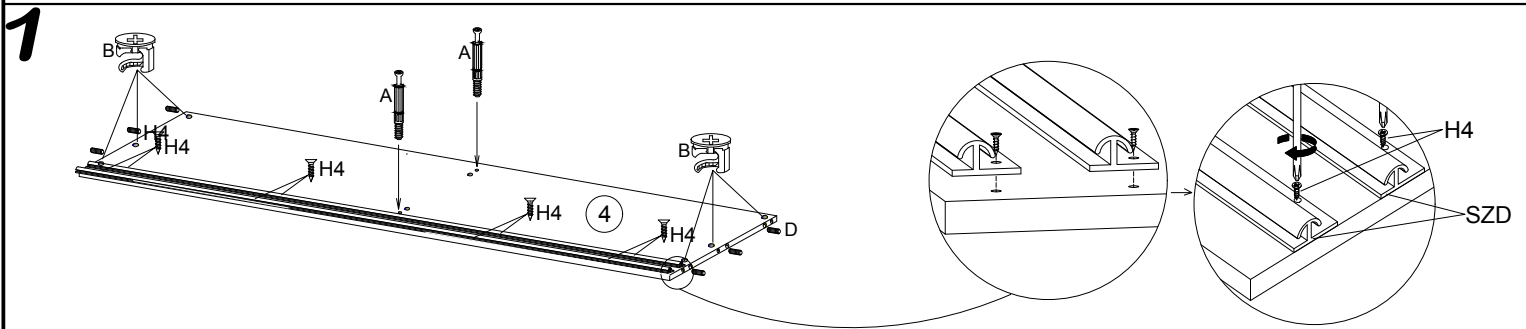
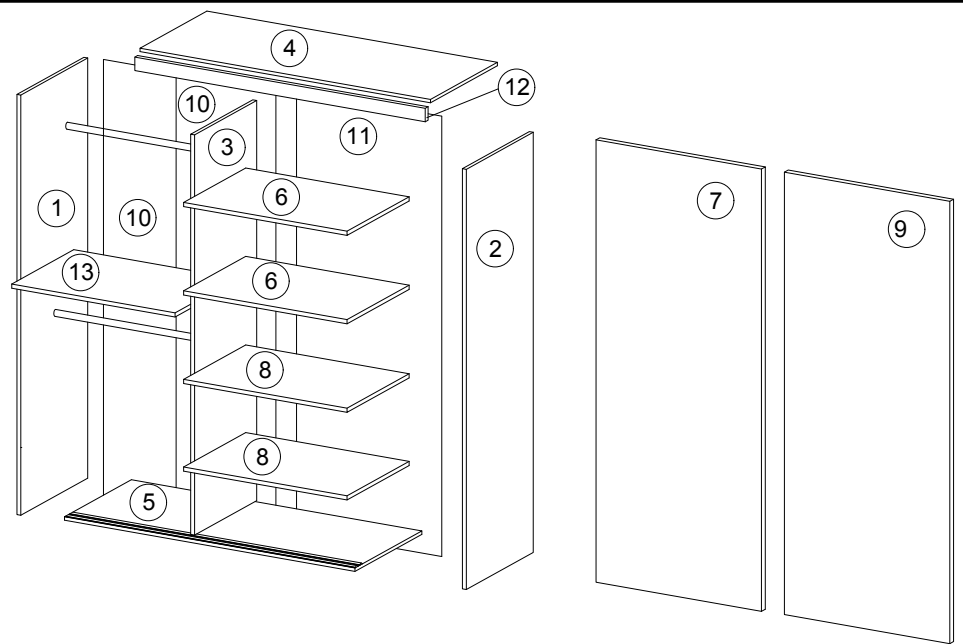
3 hours
3 zeit
3 godz.



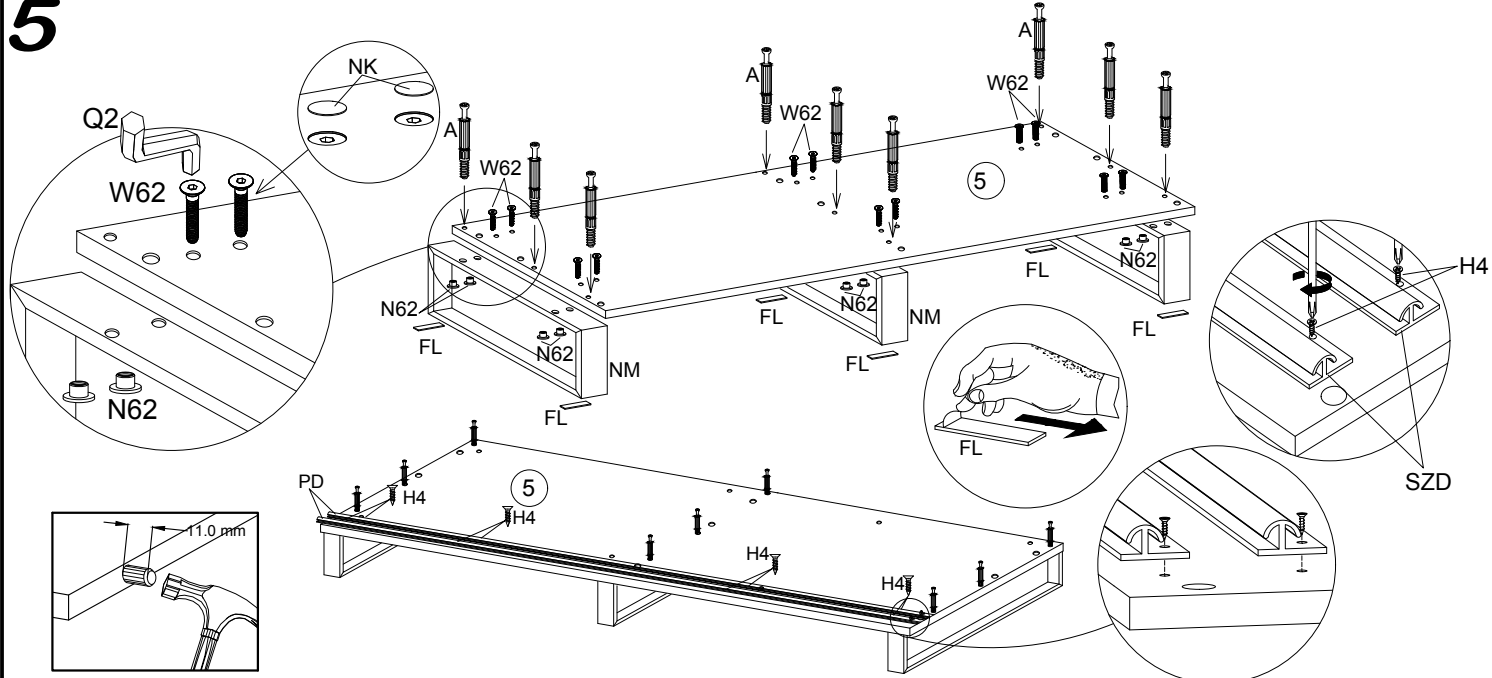
8.0x35 D 16	4.0x25 G 4	 Y 12	 A 20	 B 20	3.5x16 H 24	 V 12	 N 4	 K2 4	 K1 4	 S3 8
 X 20	 F 2	Ø-2.0 S 19	1.4x25 S1 30	 I 30	L-465 V1 2	L-1850 L 1	6.3x13 Q 8	M8.0x30 W62 12	5.0mm Q2 1	M-8.0 N62 12
						50x15x3 FL 12	Ø-20.0 NK 12	 NM 3	 PD 4	3.0x13 H4 28



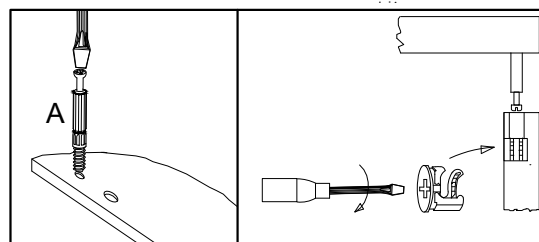
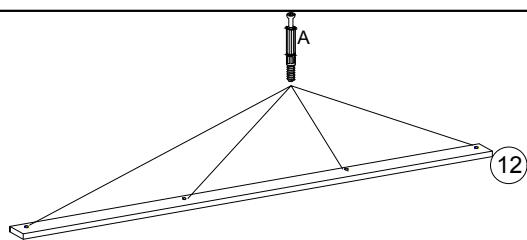
		L	W	D
1.	1	1905	620	16
2.	1	1905	620	16
3.	1	1888	480	16
4.	1	1468	580	16
5.	1	1504	625	18
6.	2	475	480	16
7.	1	1873	750	16
8.	2	475	480	16
9.	2	1873	750 <td 16	
10.	2	1912	496	3
11.	1	1912	492	3
12.	1	1468	70	18
13.	2	976	480	16



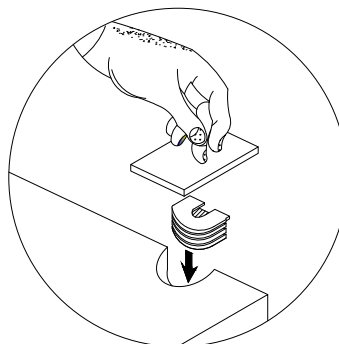
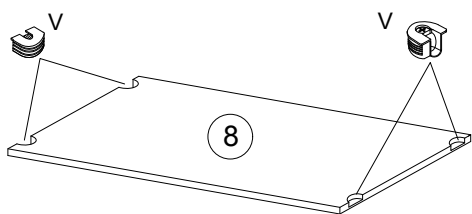
5



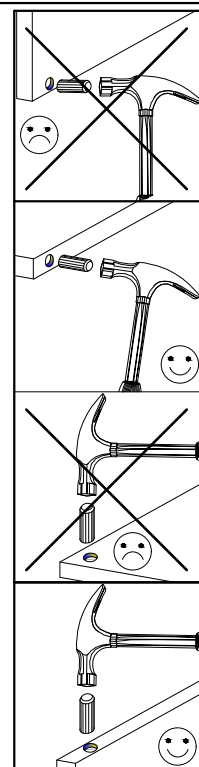
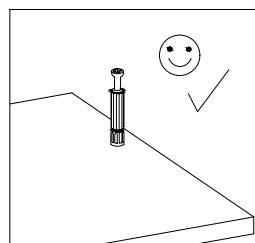
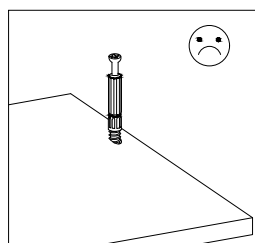
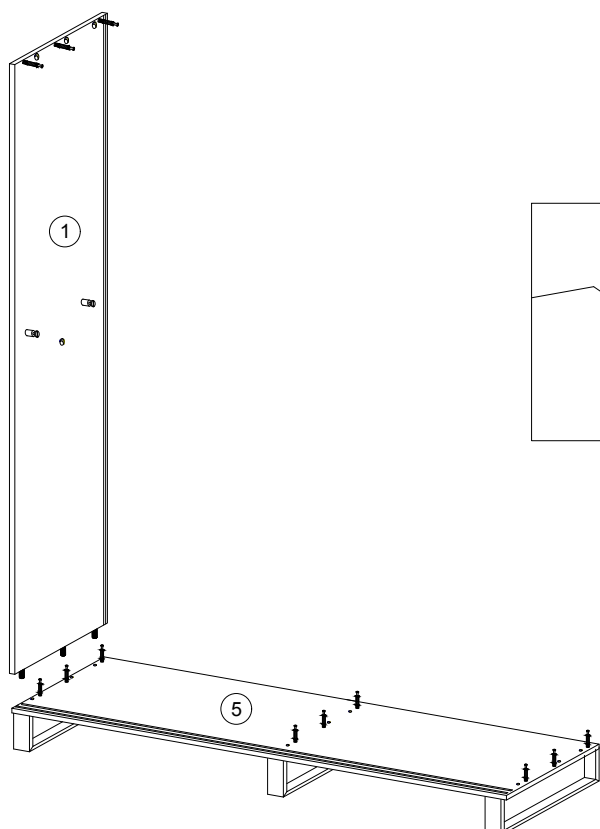
6



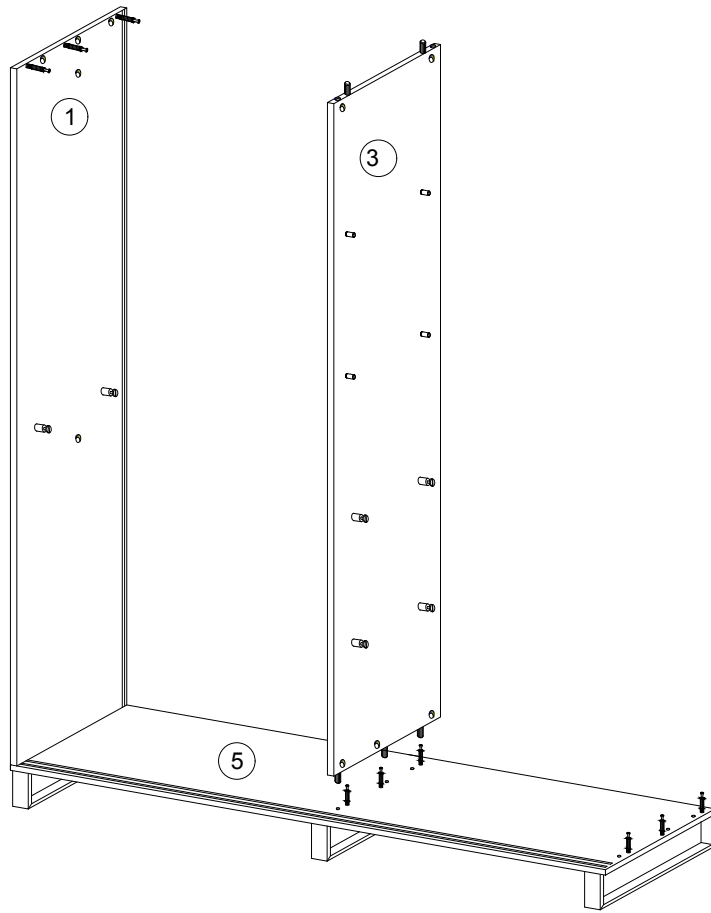
7



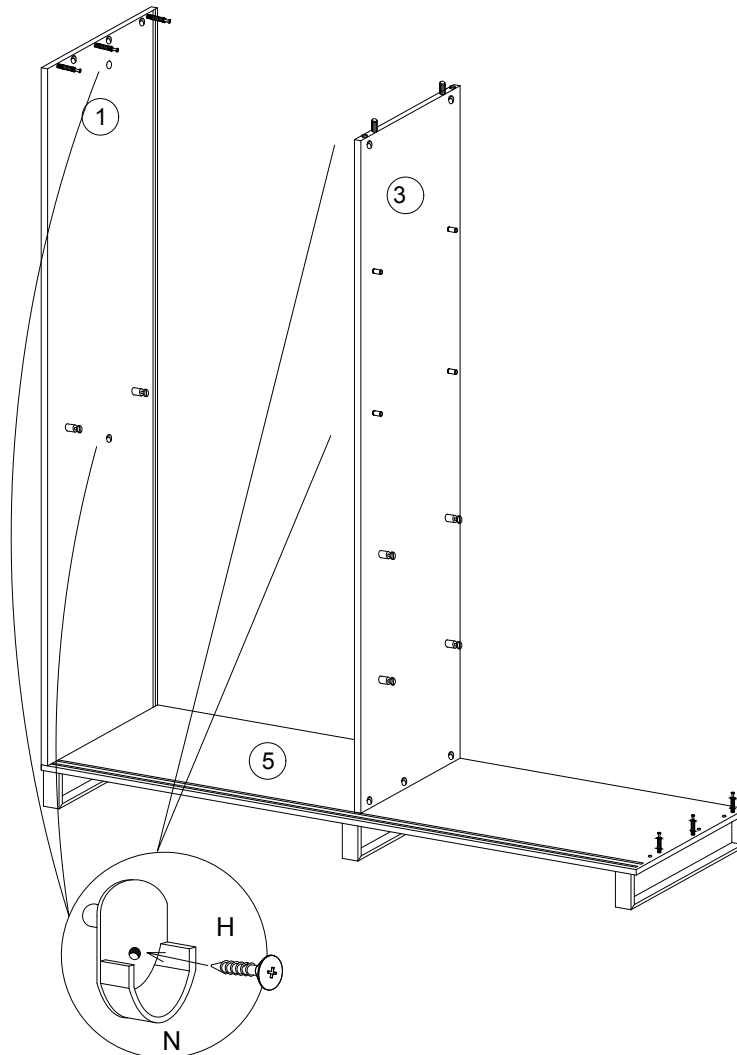
8



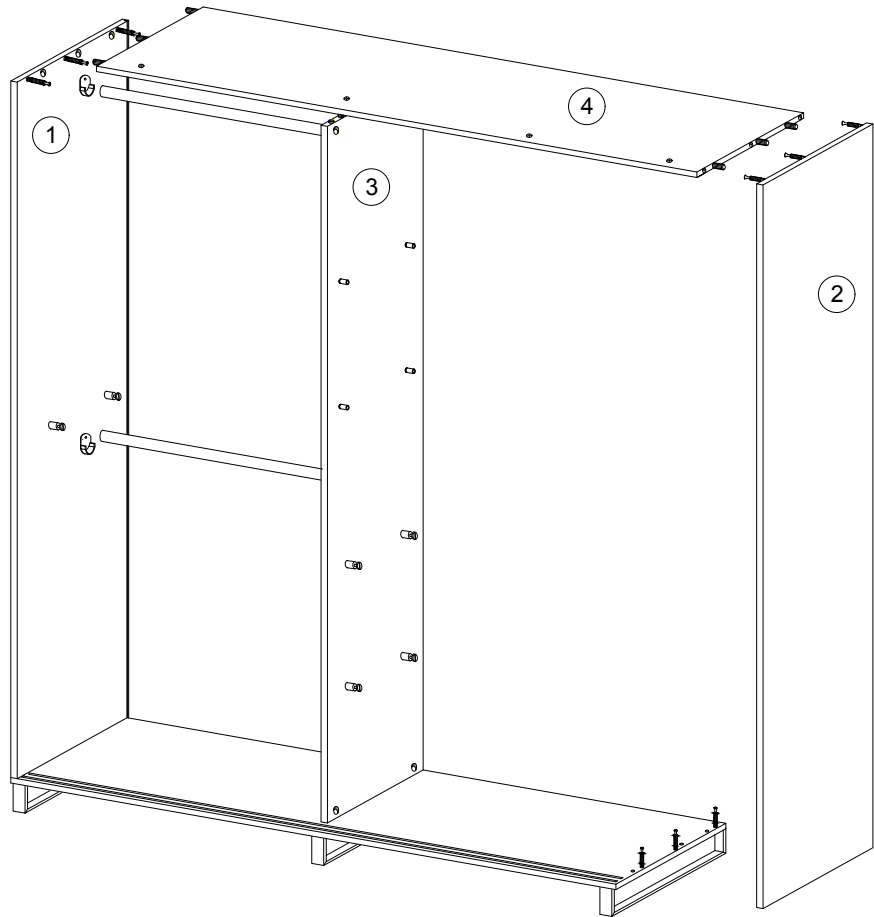
9



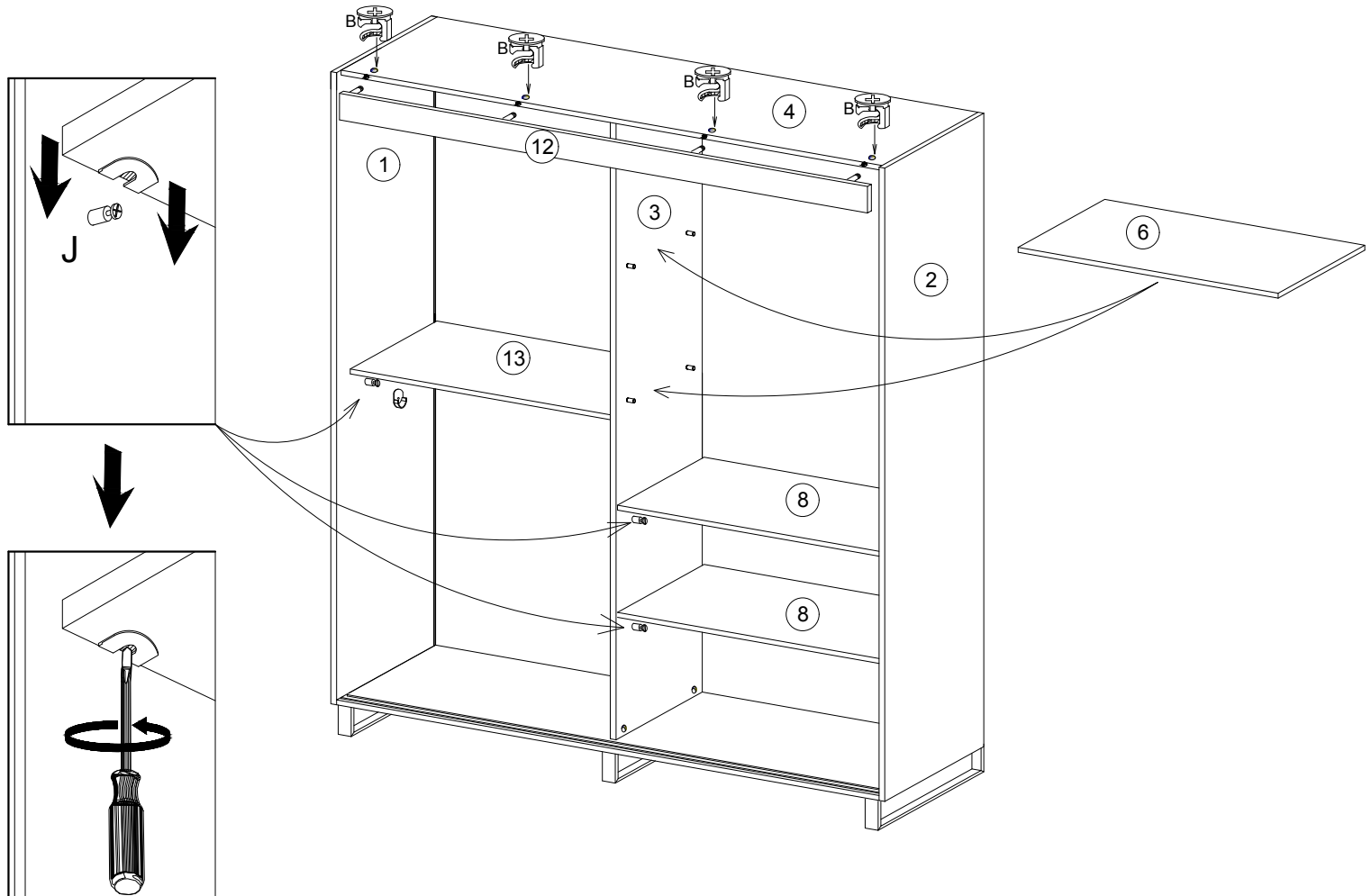
10



11

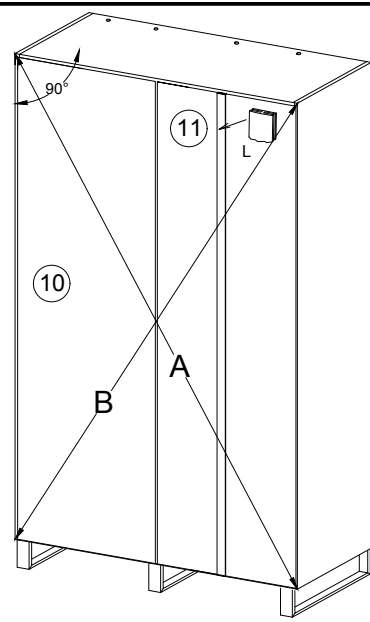


12

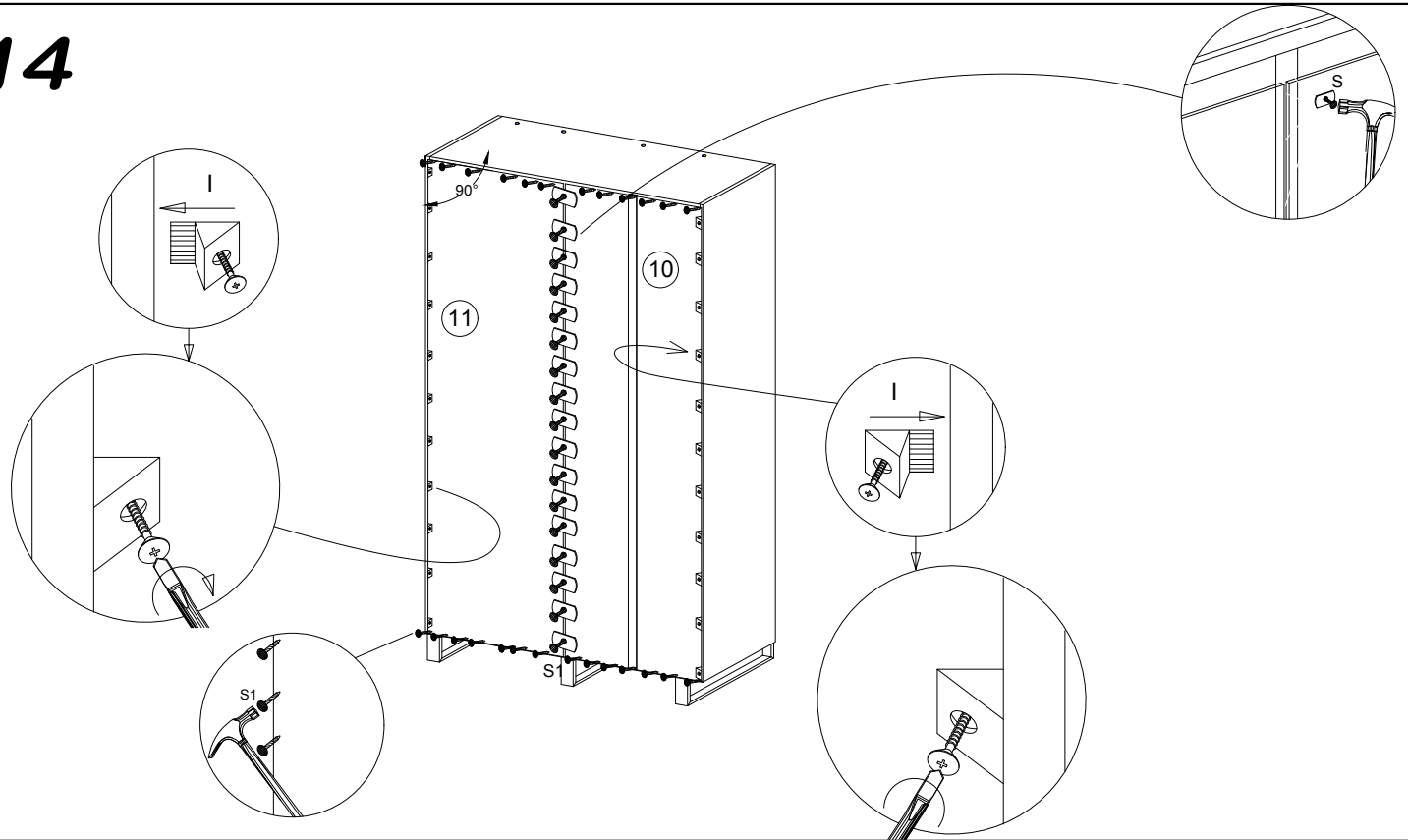


13

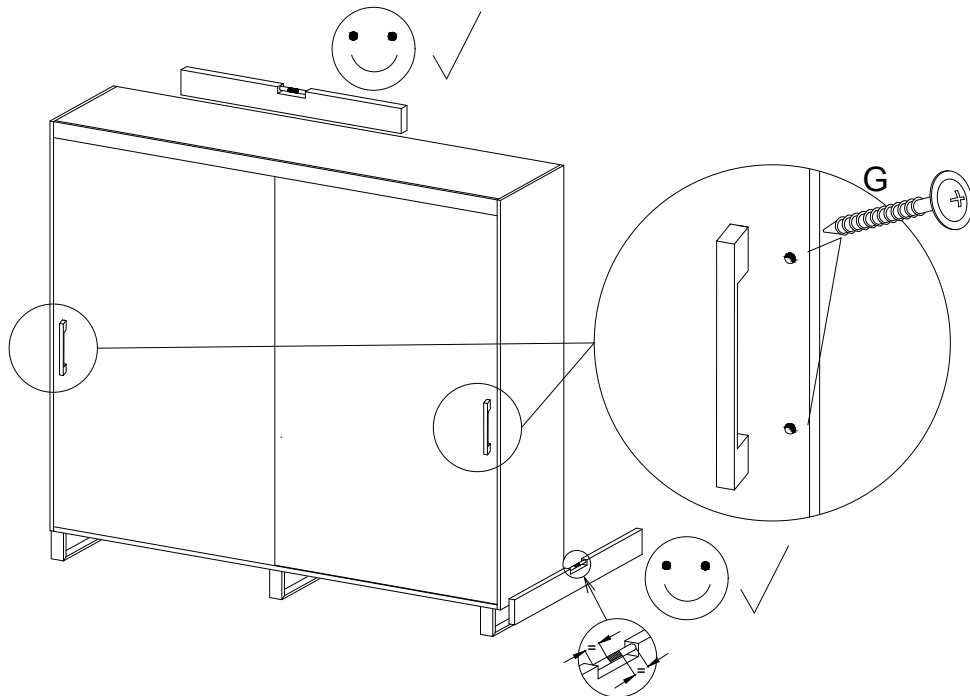
$A=B$

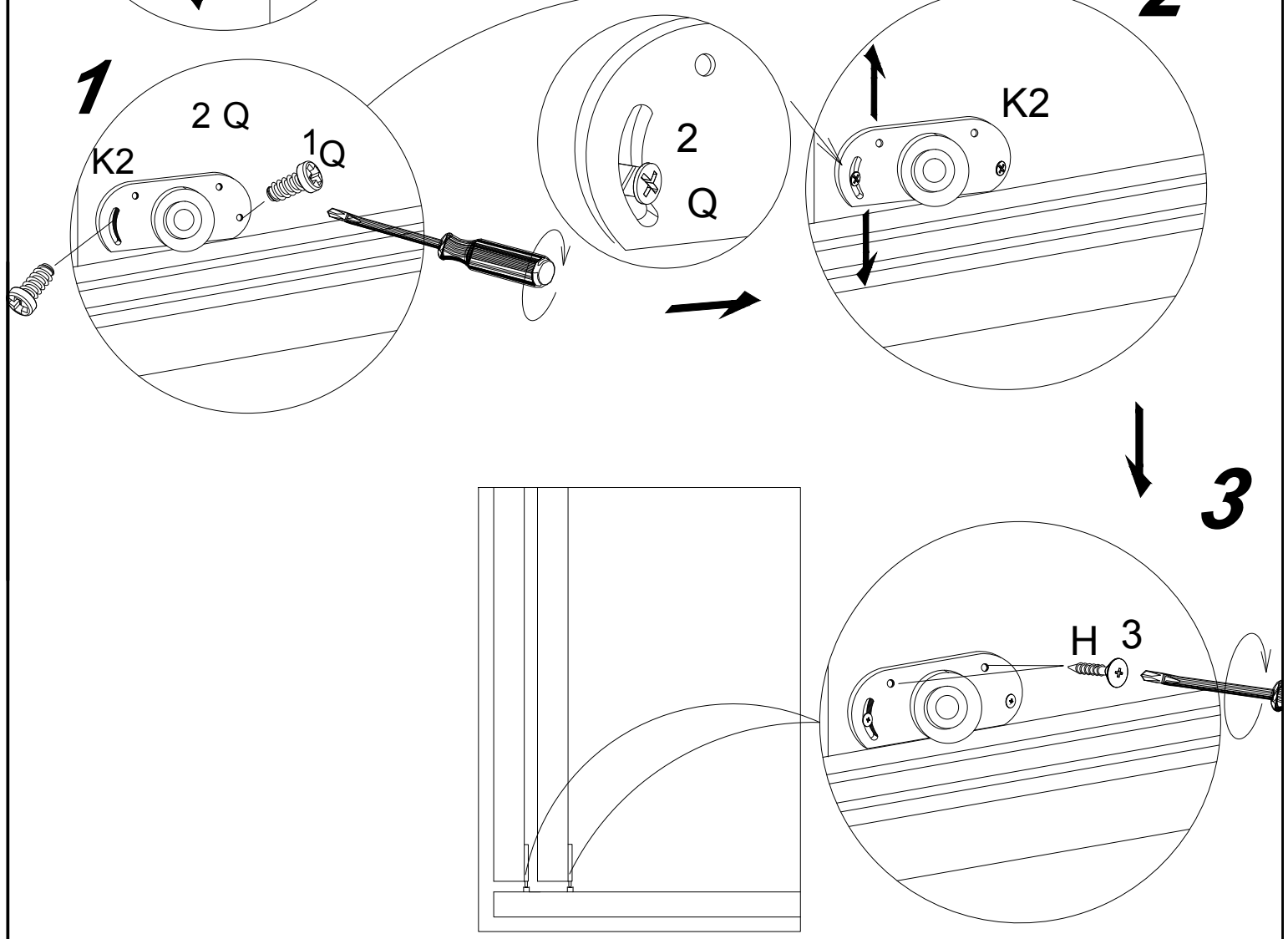
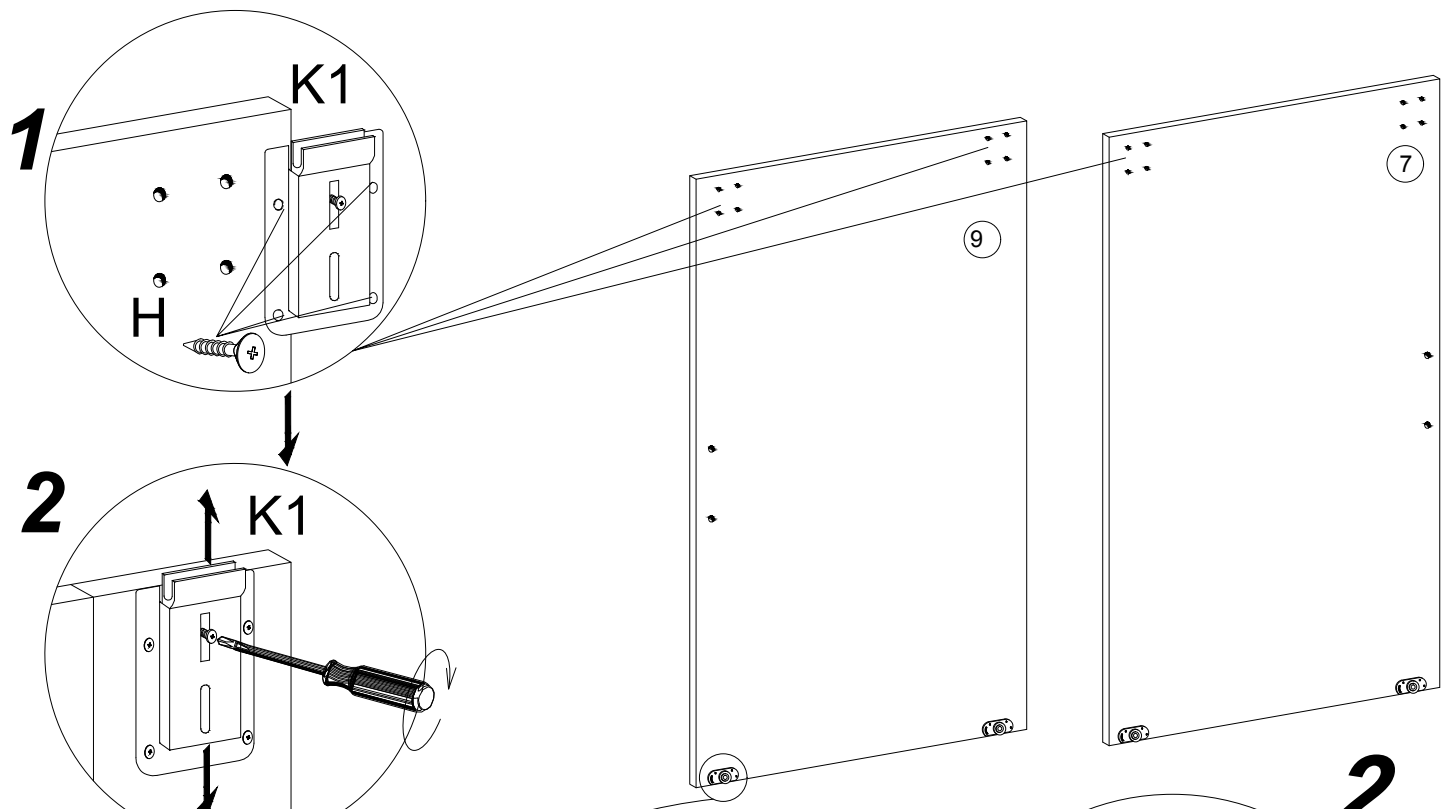


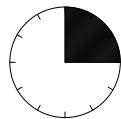
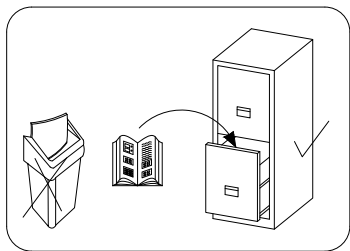
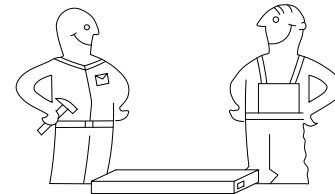
14



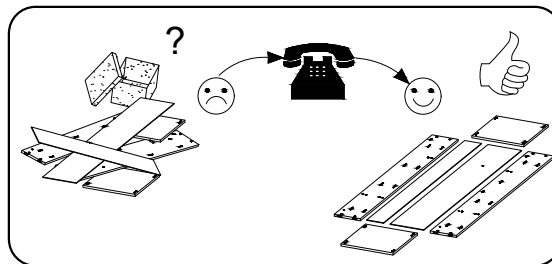
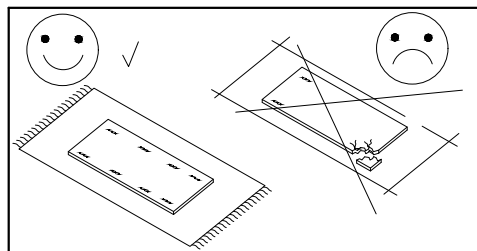
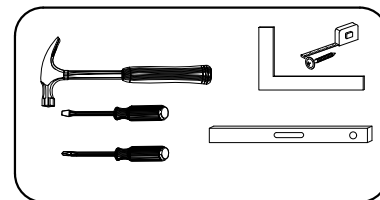
15



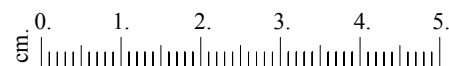




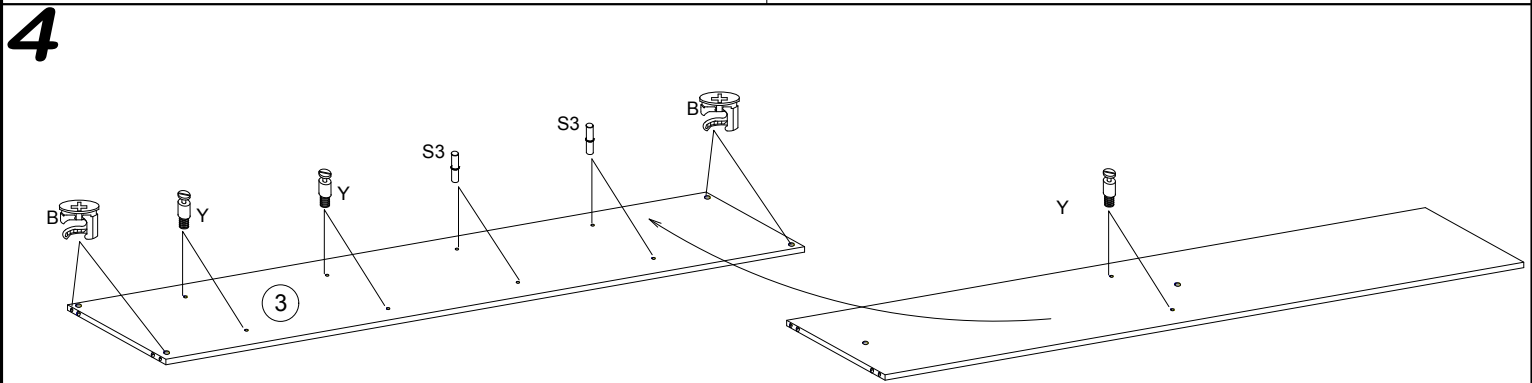
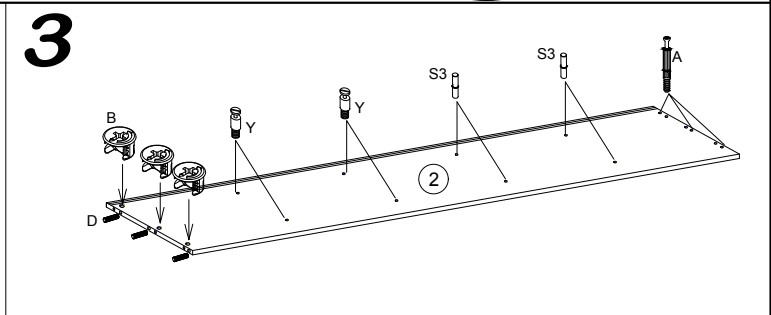
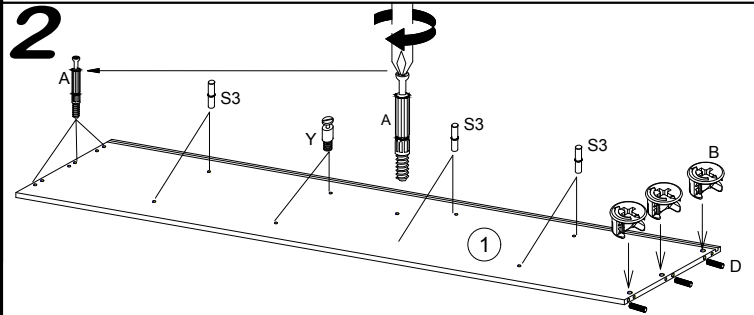
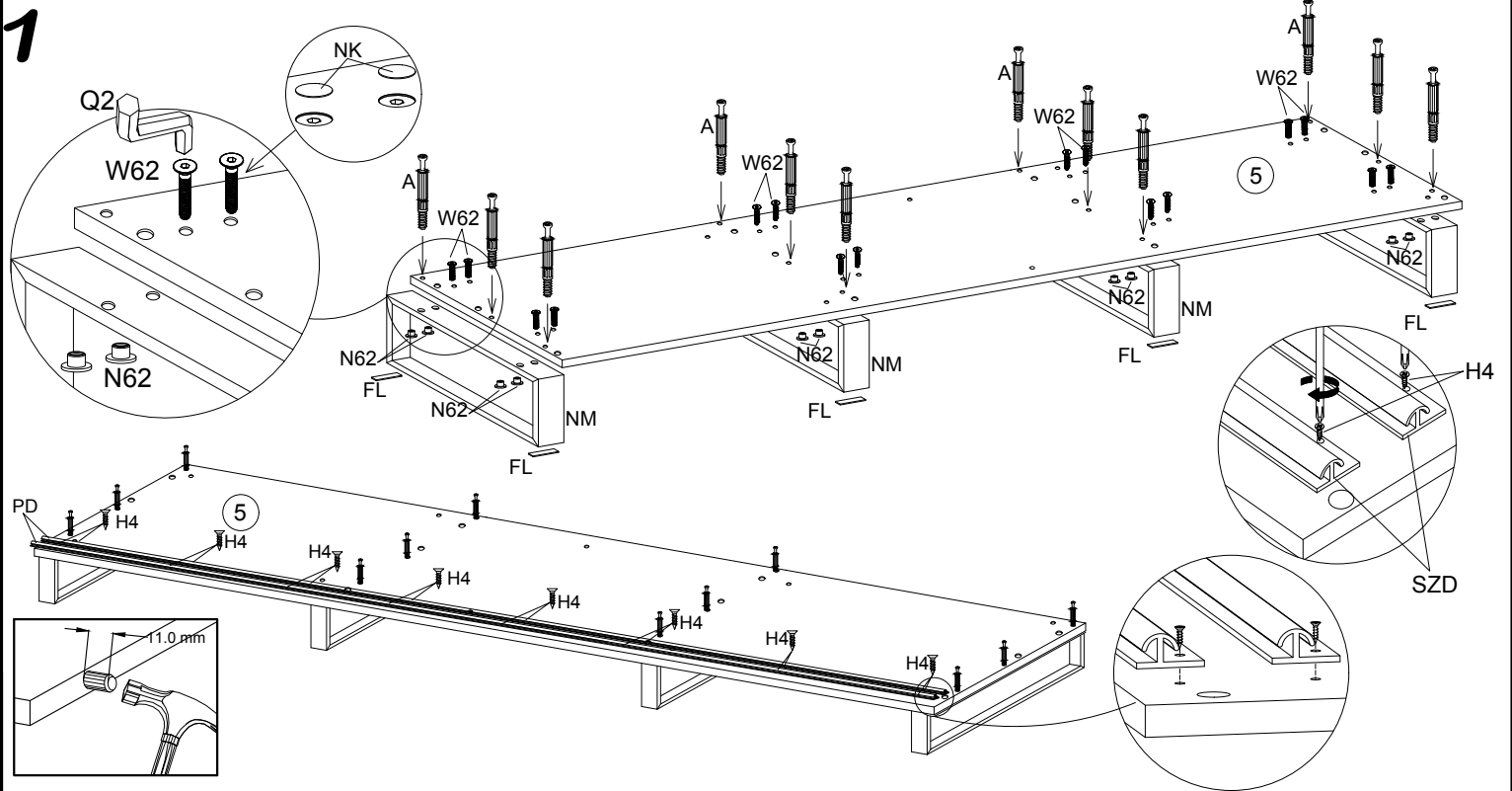
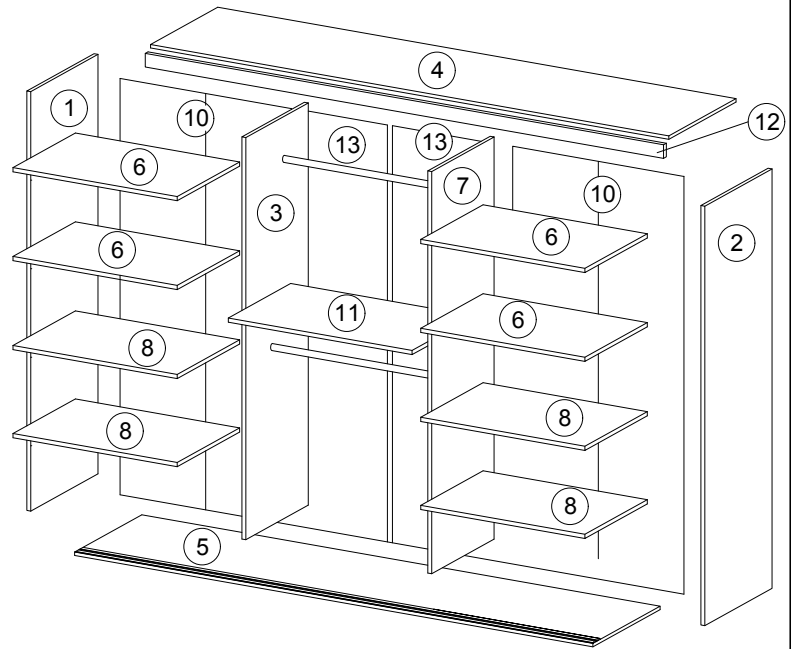
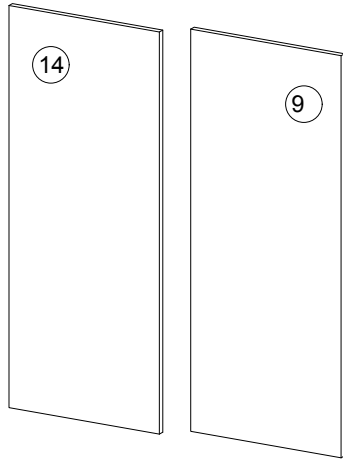
3 hours
3 zeit
3 godz.



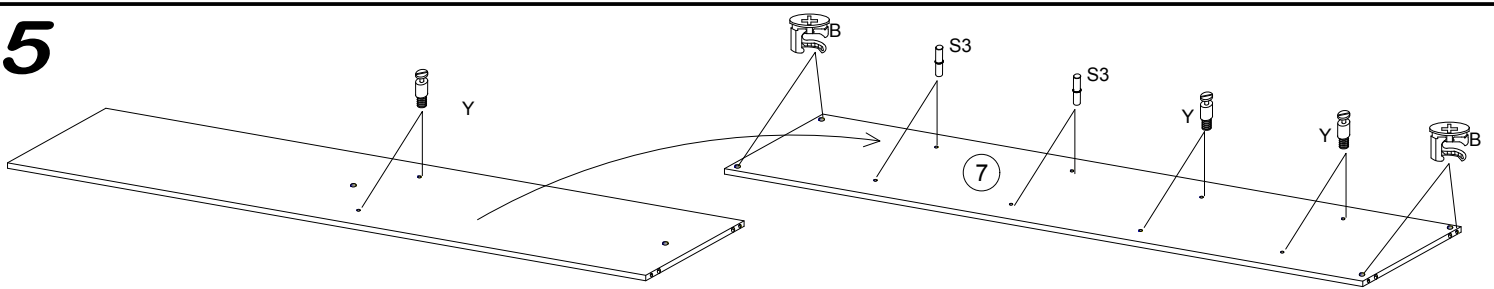
 8.0x35 D	 4.0x25 G	 Y	 A	 B	 3.5x16 H	 V	 N	 K2	 K1	 S3
20	4	20	26	26	24	20	4	4	4	16
 X	 F	 Ø-2.0 S	 1.4x25 S1	 I	 L-975 V1	 L-1850 L	 6.3x13 Q	 M8.0x30 W62	 Q2	 M-8.0 N62
26	2	38	50	30	2	1	8	16	1	16
					 50x15x3 FL	 Ø-20.0 NK	 NM	 PD	 3.0x13 H4	 X1
					16	16	4	4	20	8



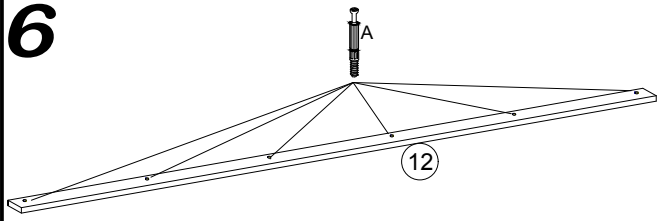
		L	W	D
1.	1	1905	620	16
2.	1	1905	620	16
3.	1	1888	480	16
4.	1	1768	580	16
5.	1	1804	600	18
6.	4	475	480	16
7.	1	1888	480	16
8.	4	475	480	16
9.	1	1873	900	16
10.	4	1912	492	3
11.	1	785	480	16
12.	1	1768	70	18
13.	2	1912	398	3
14.	1	1873	900	16



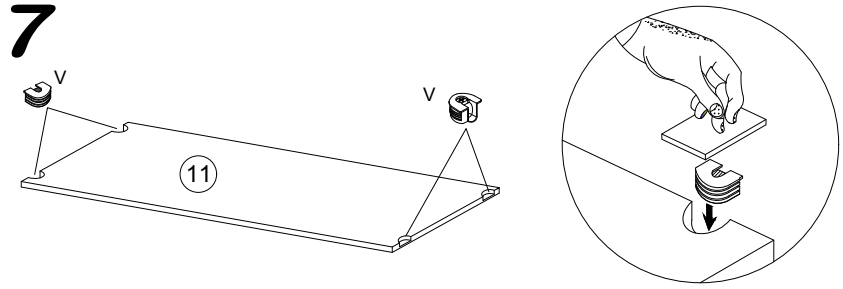
5



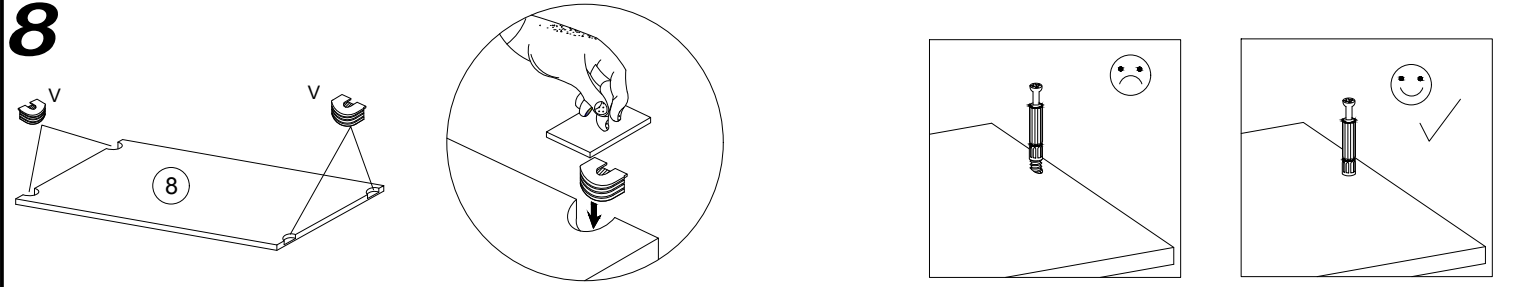
6



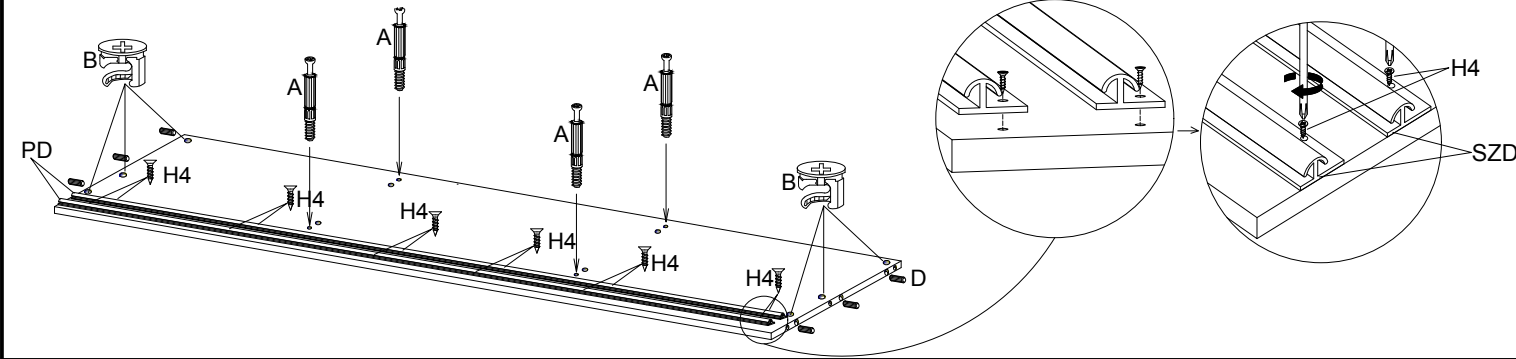
7



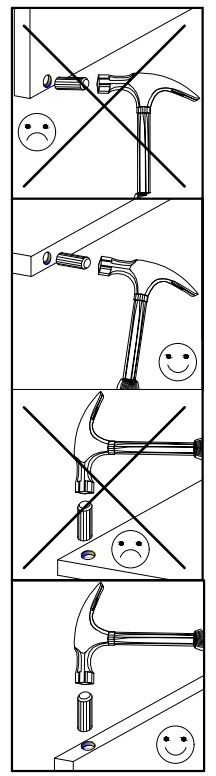
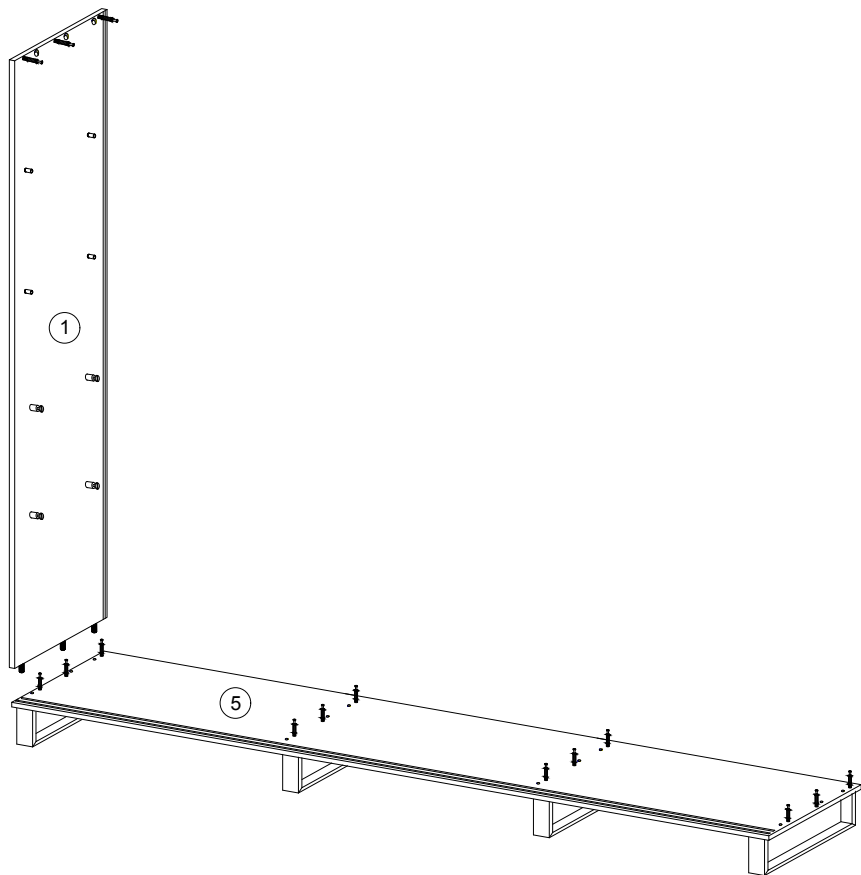
8



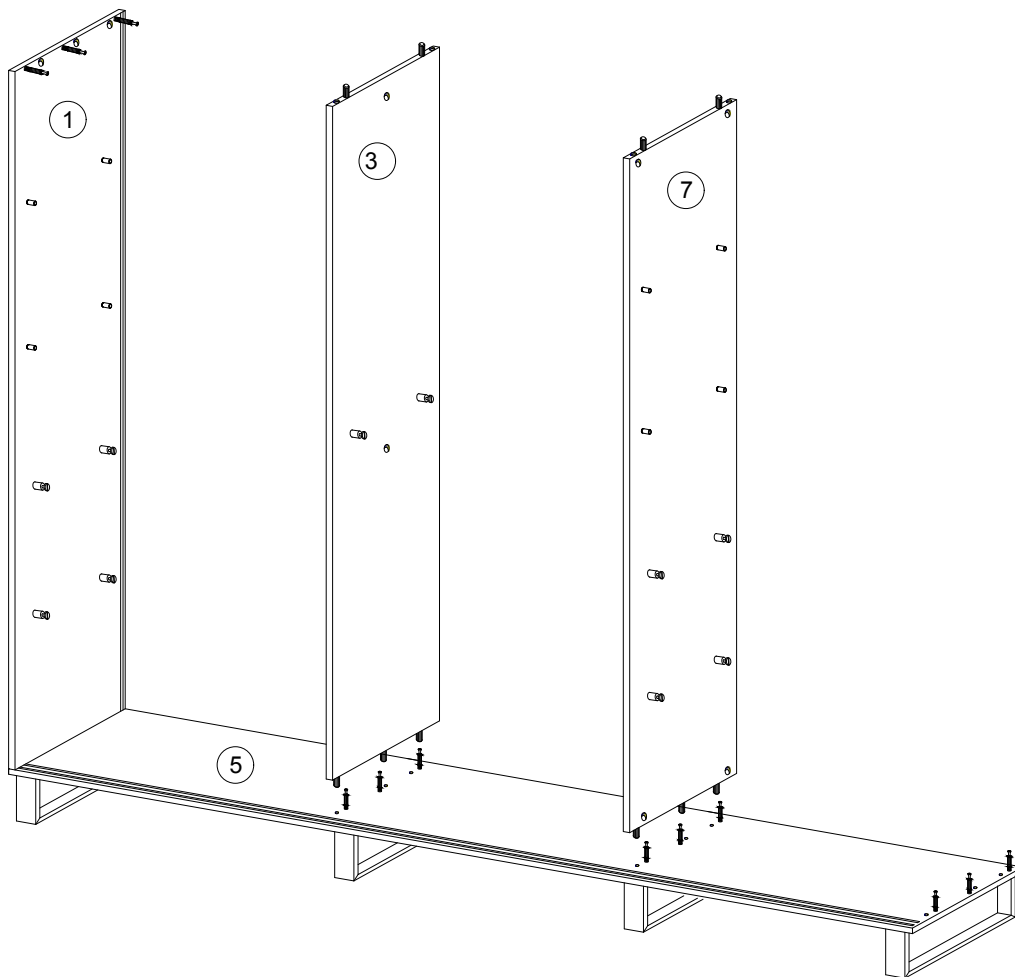
9



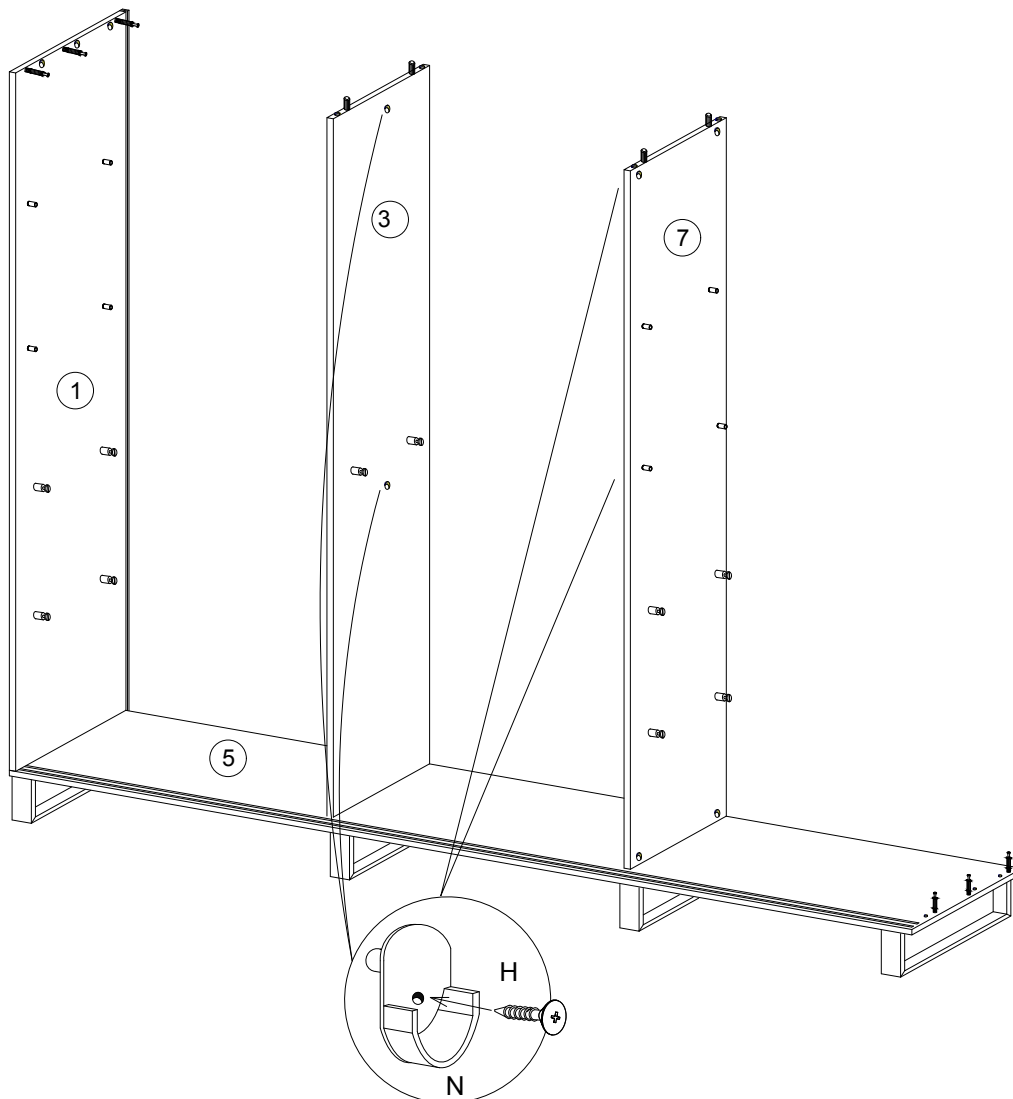
10



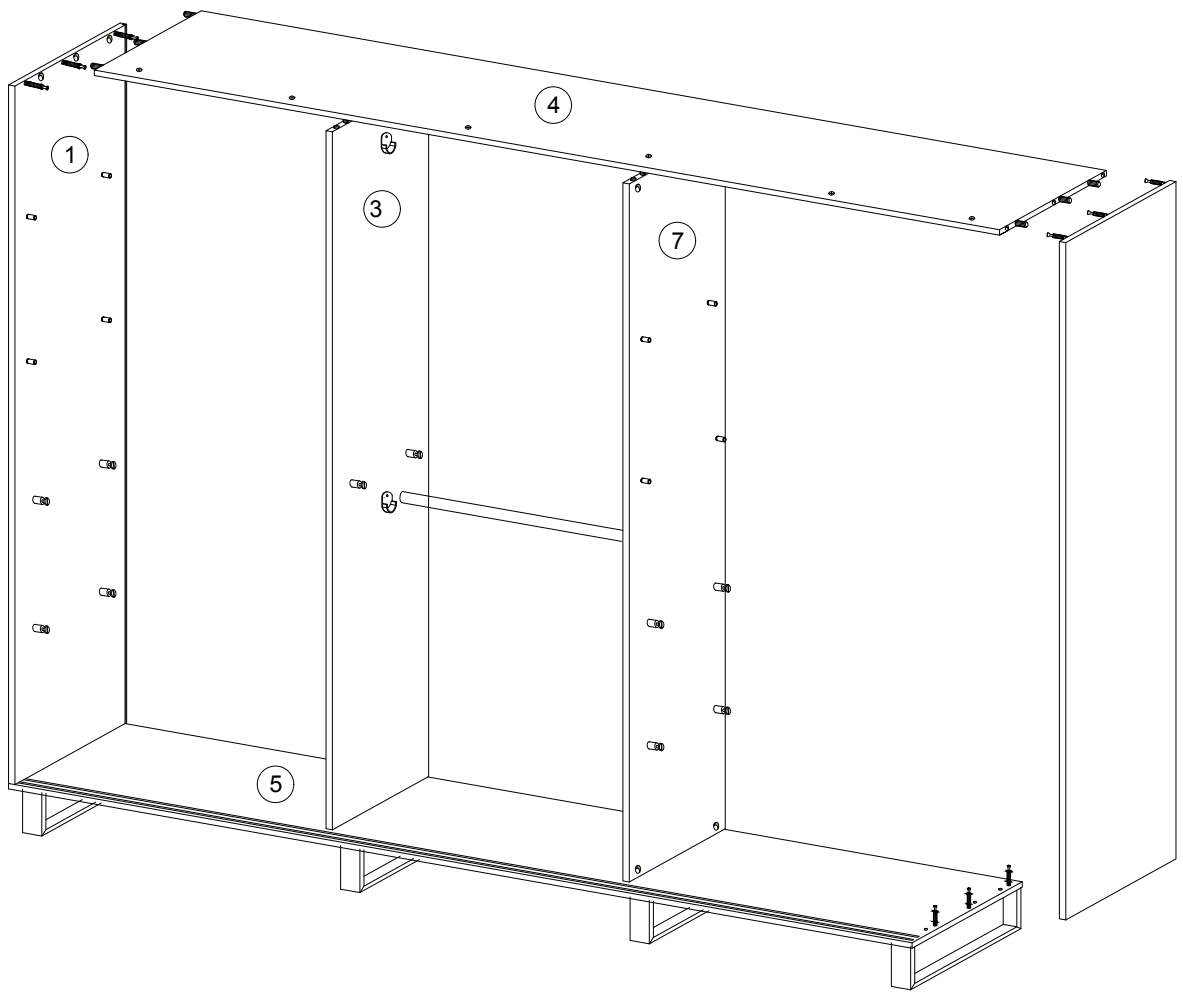
11



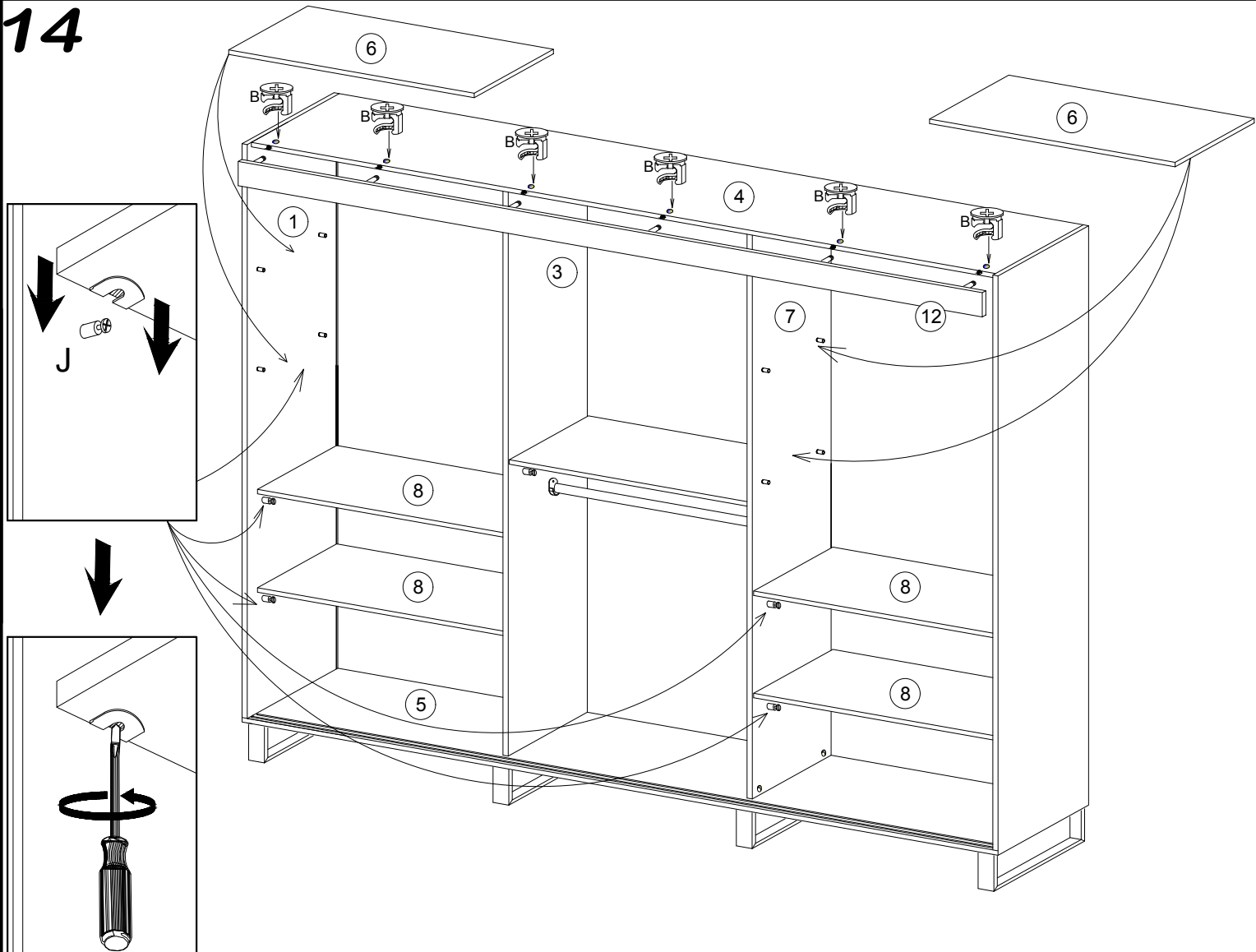
12



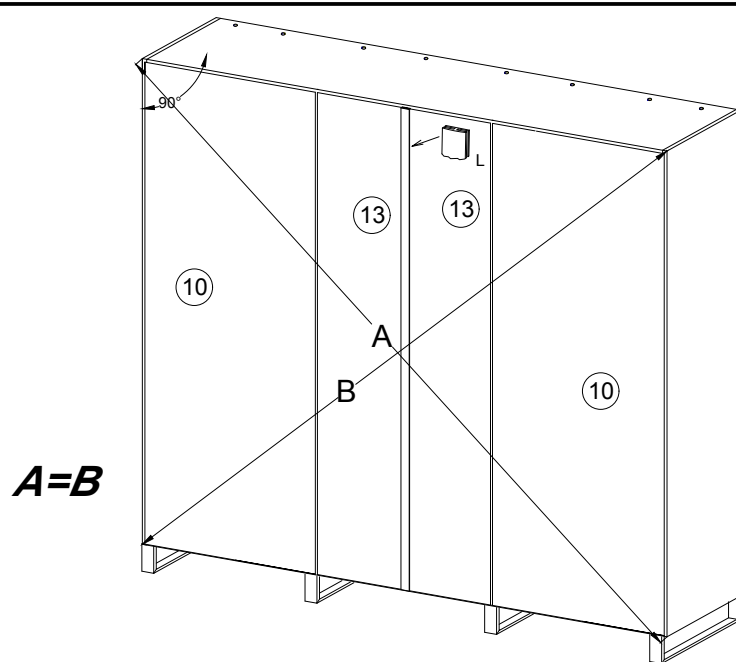
13



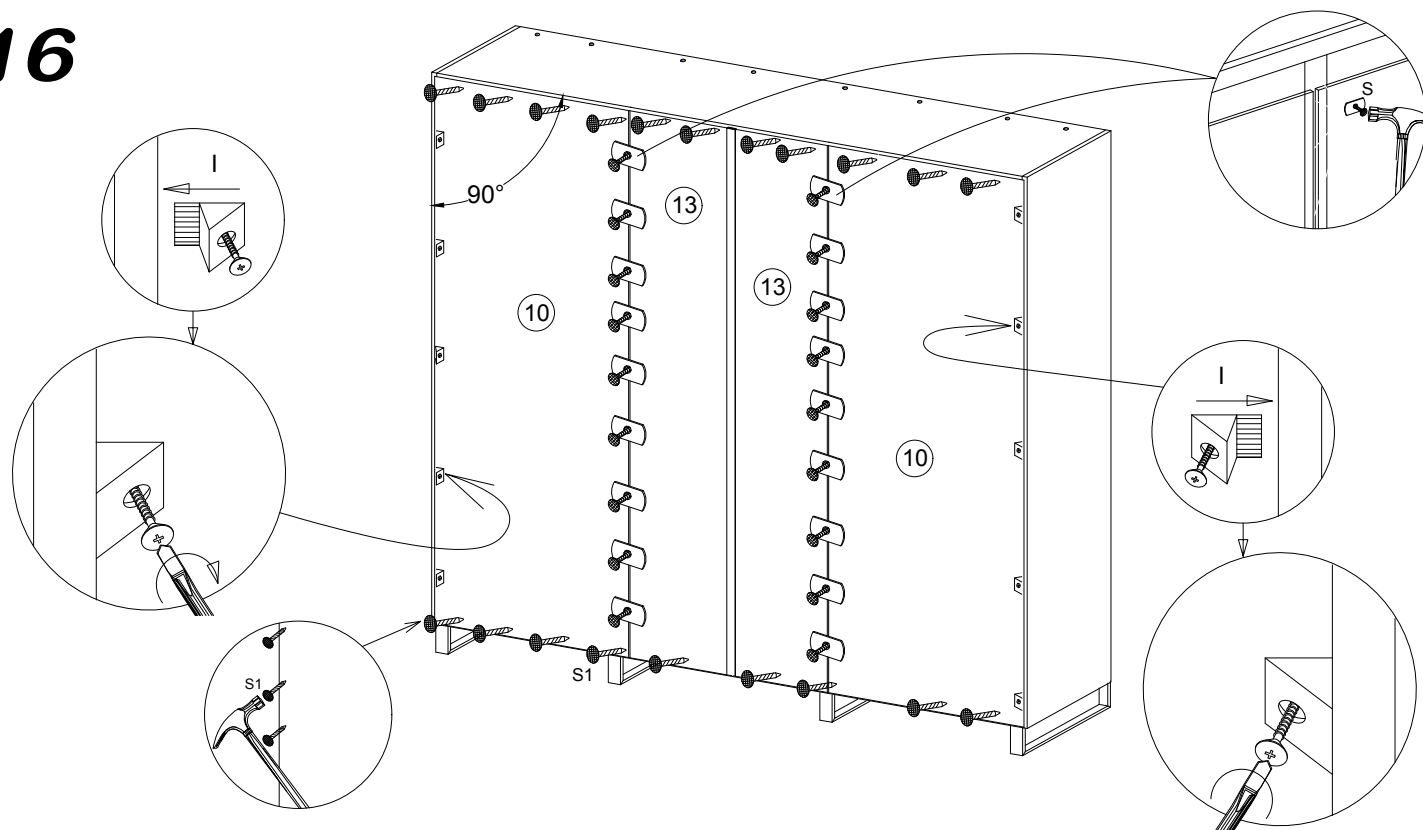
14



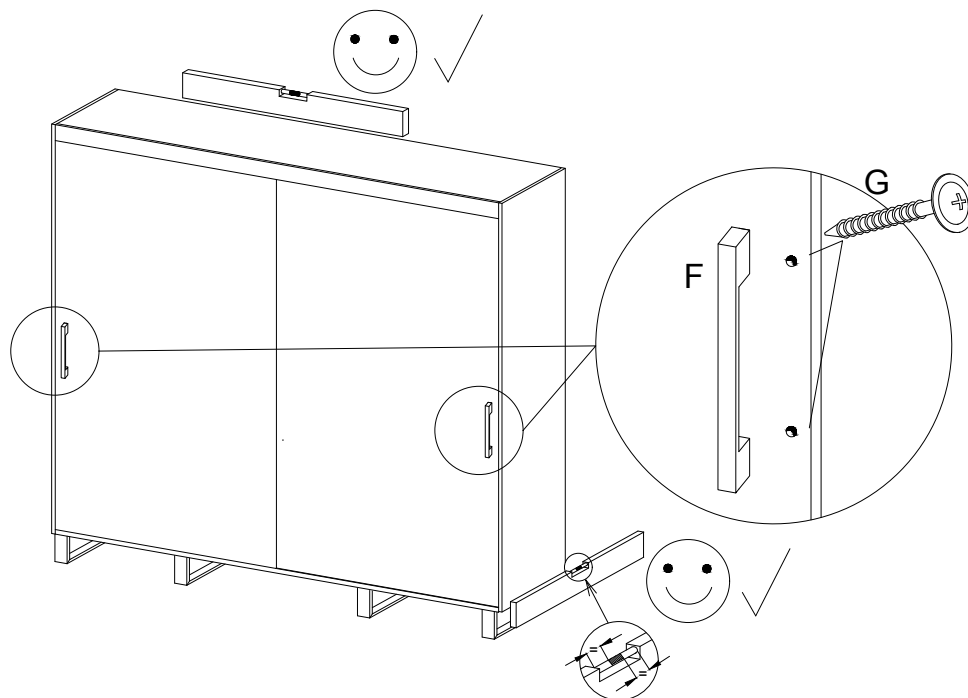
15



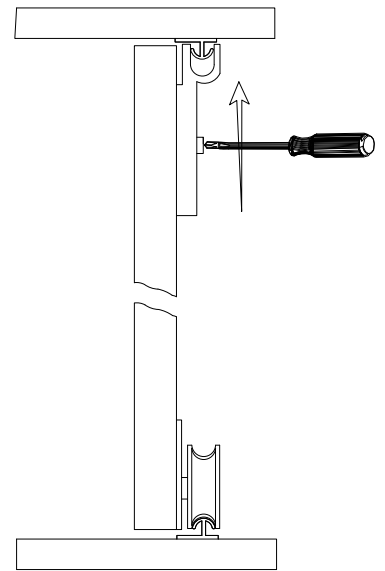
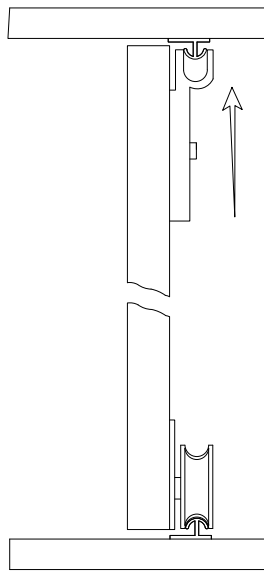
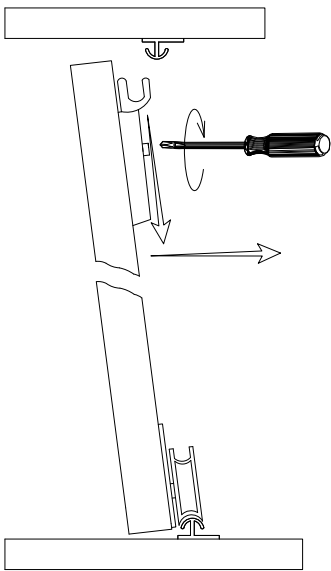
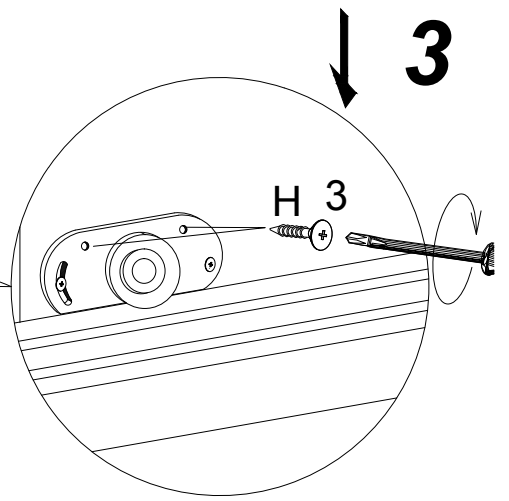
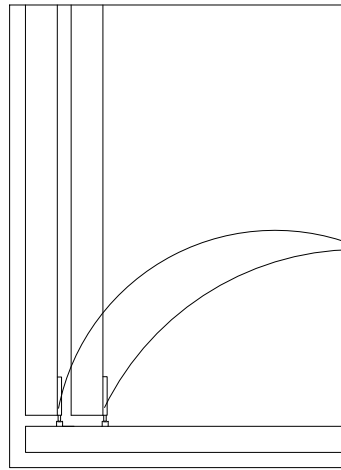
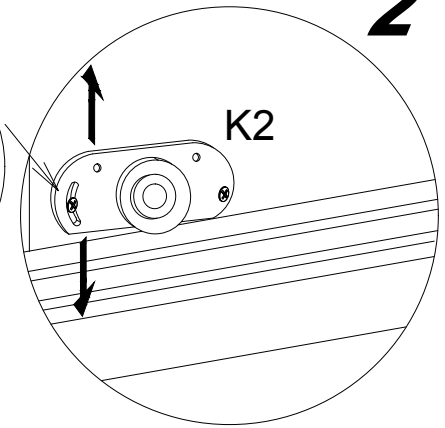
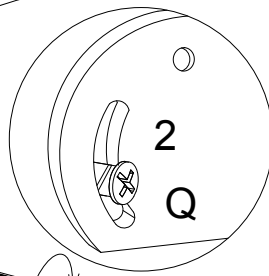
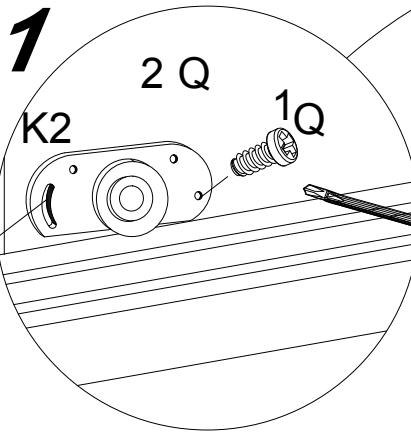
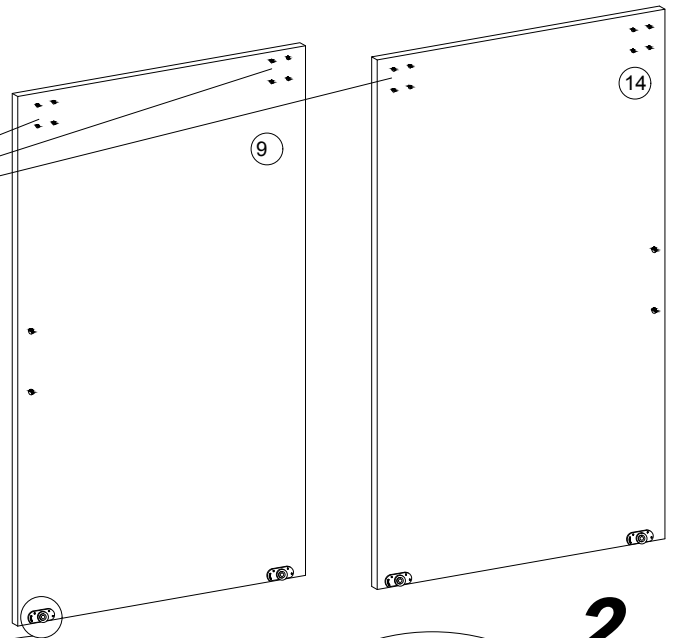
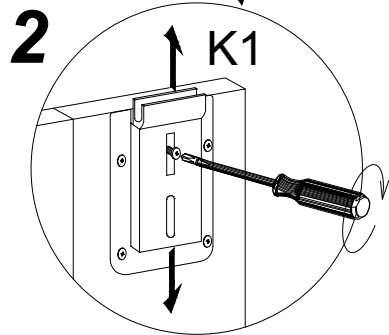
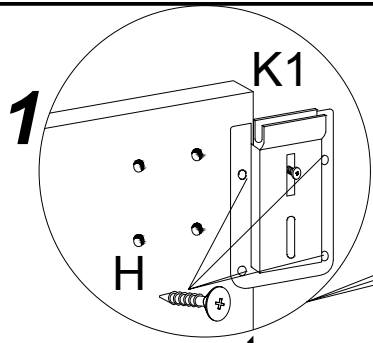
16

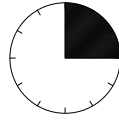
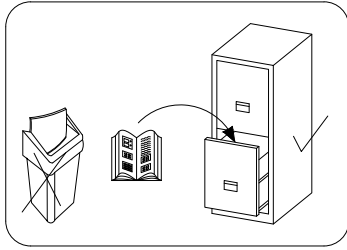
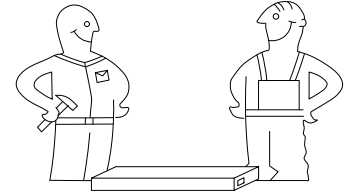


17

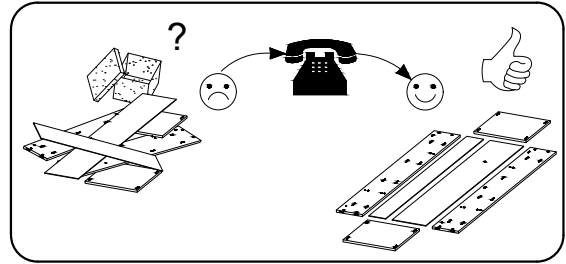
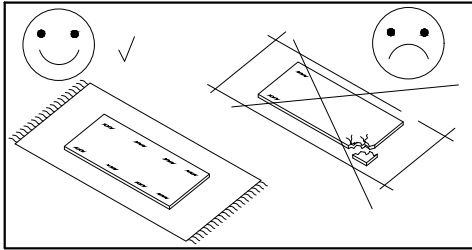
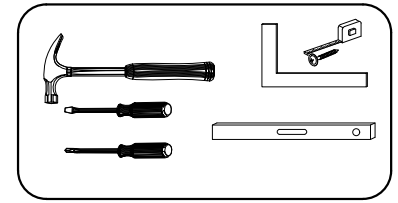










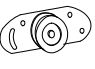

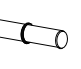
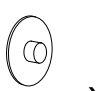



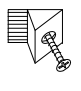








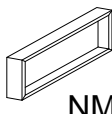



18

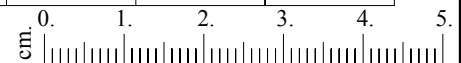




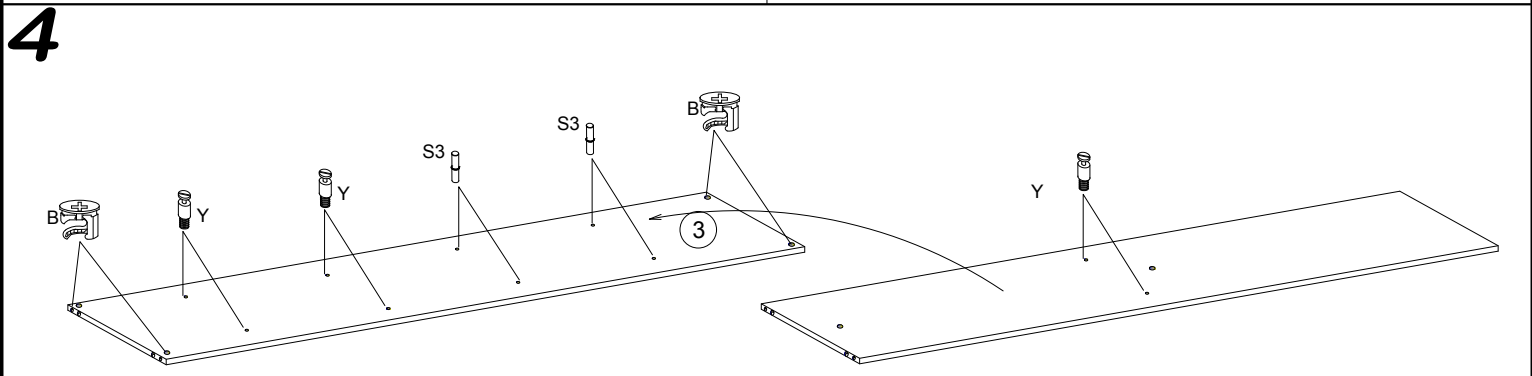
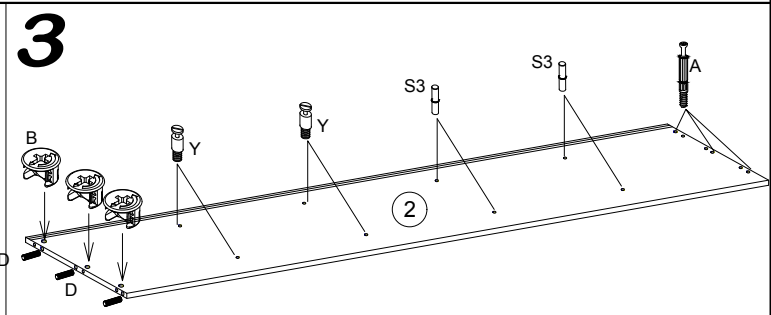
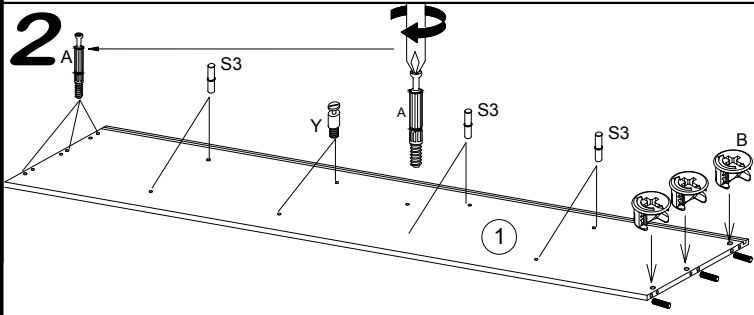
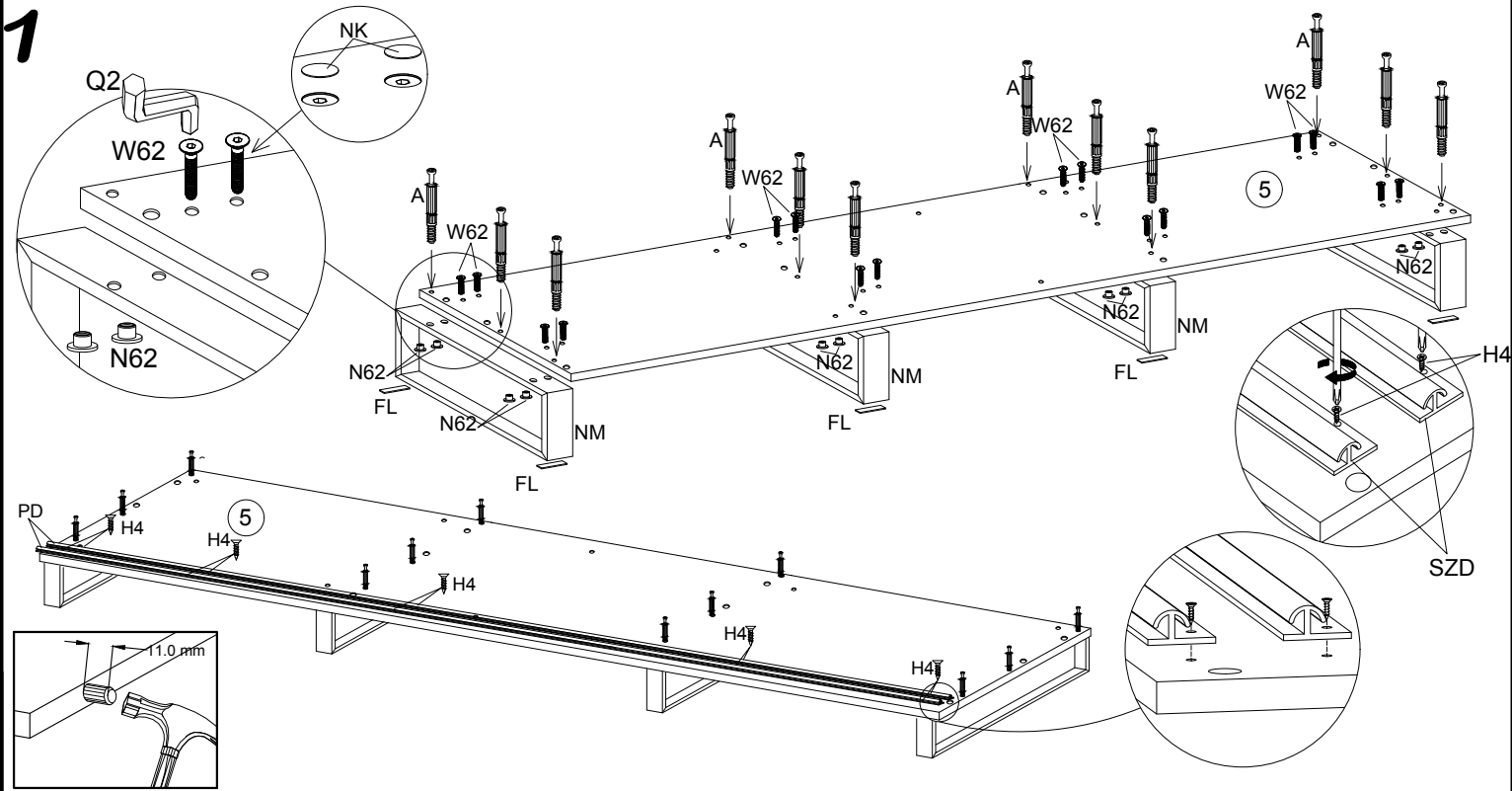
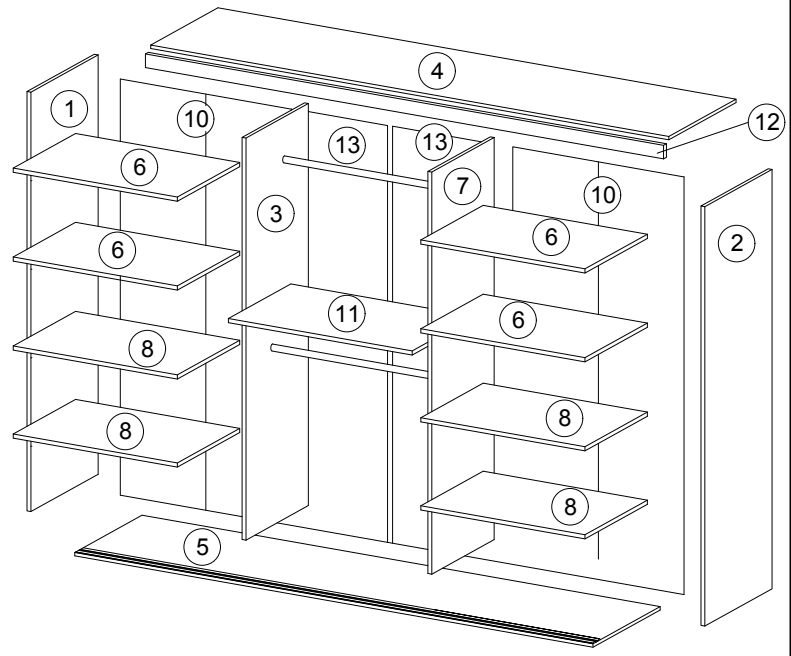
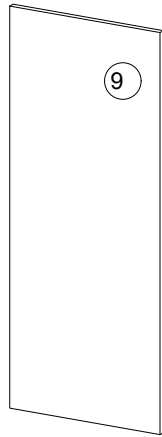
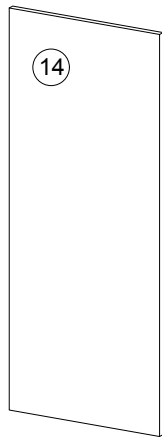
3 hours
3 zeit
3 godz.

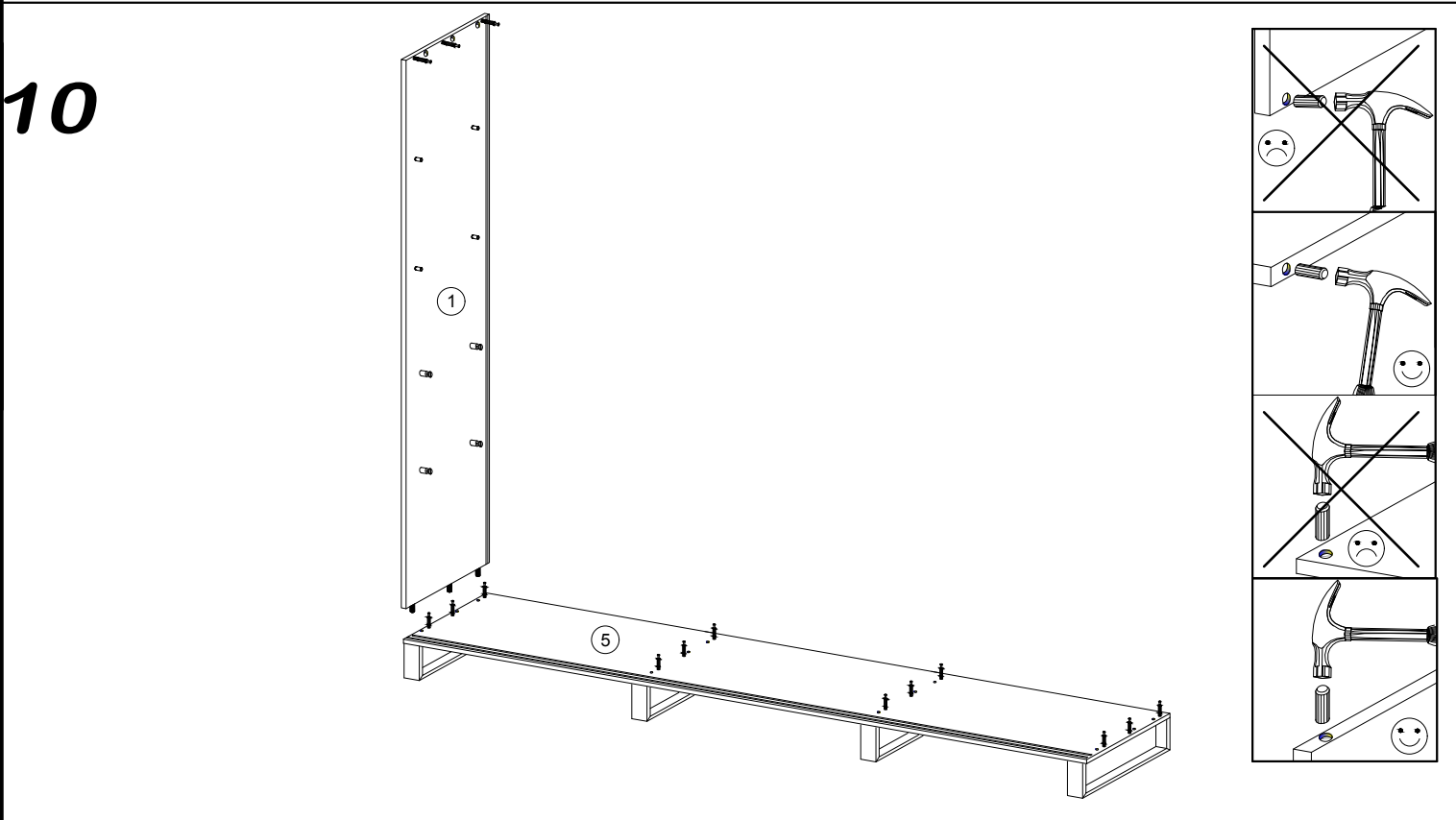
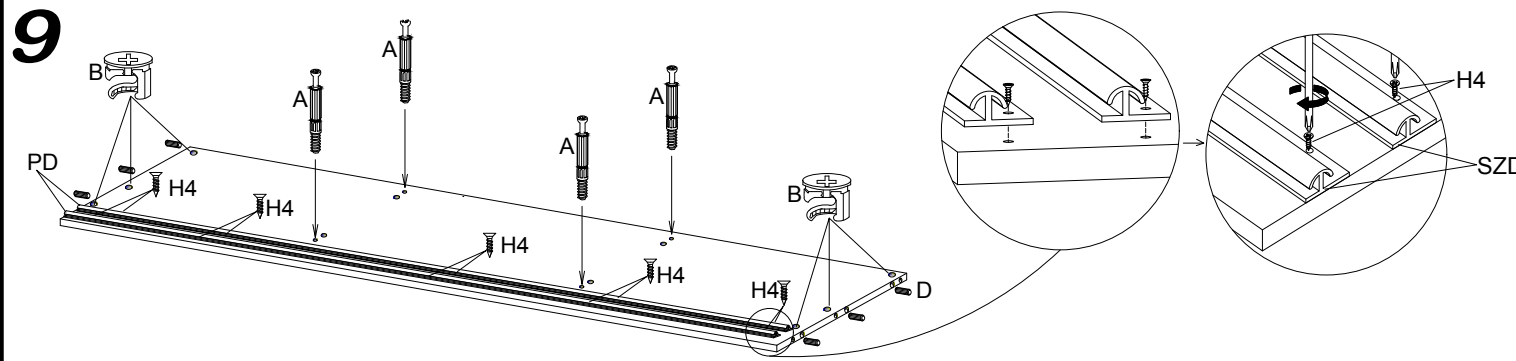
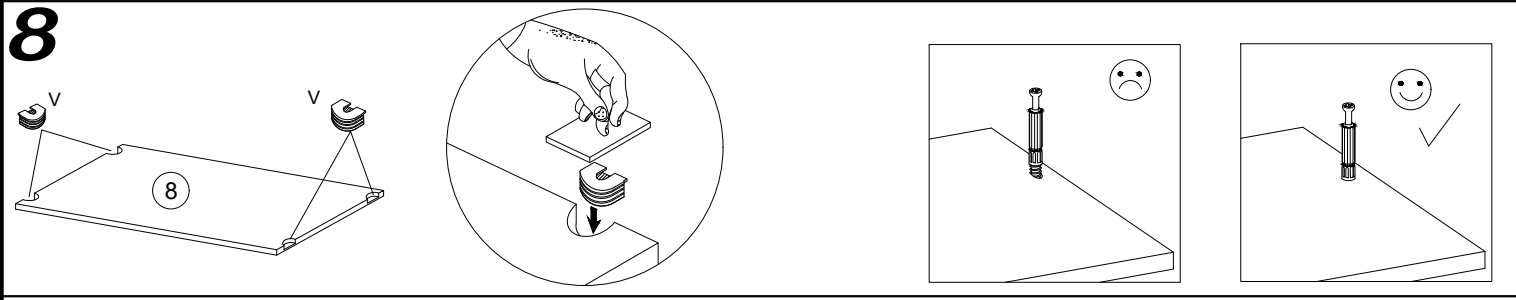
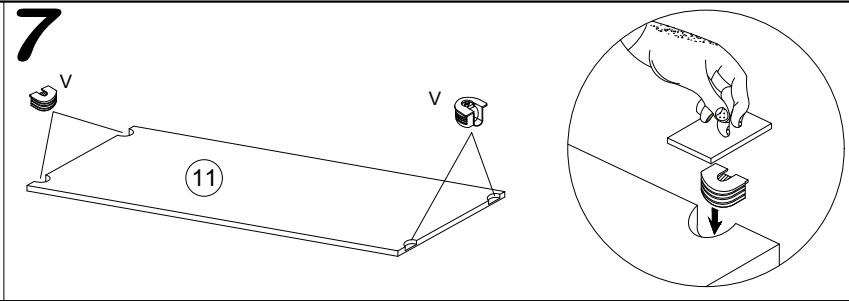
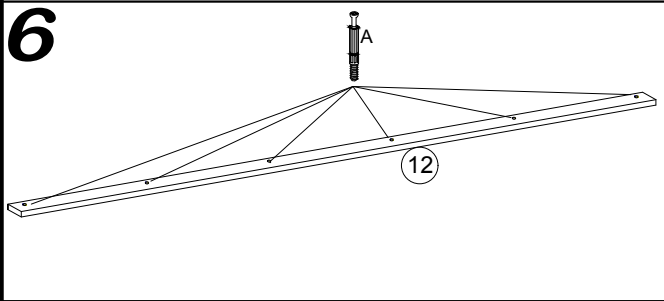
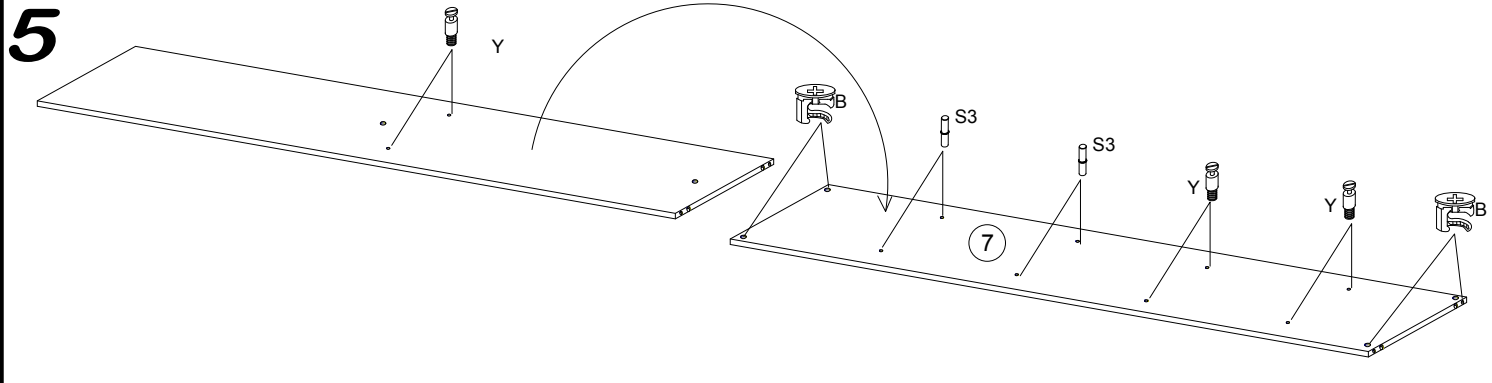


 D	 G	 Y	 A	 B	 H	 V	 N	 K2	 K1	 S3
20	4	20	26	26	24	20	4	4	4	16
 X	 F	 S	 S1	 I	 V1	 L	 Q	 W62	 Q2	 N62
26	2	38	50	30	2	1	8	16	1	16
 FL	 NK	 NM	 PD	 H4	 X1					
16	16	4	4	20	8					

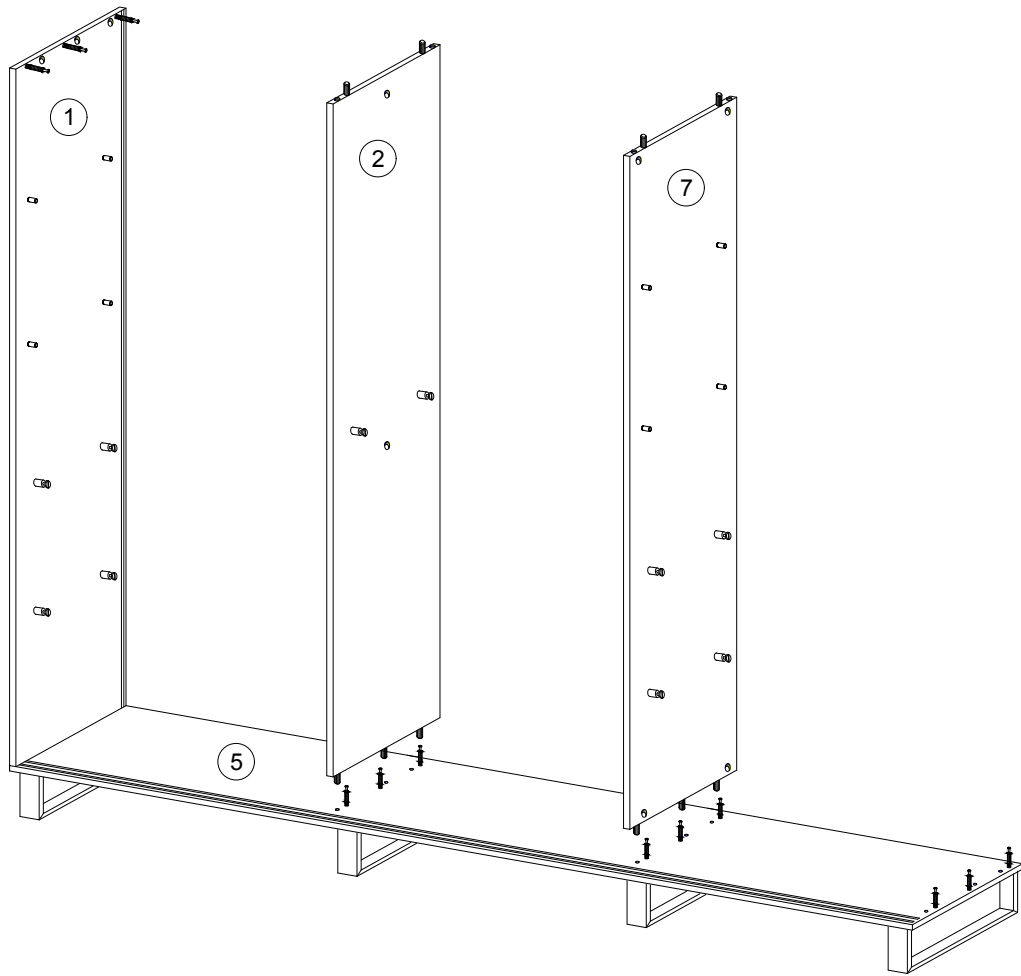


		L	W	D
1.	1	1905	620	16
2.	1	1905	620	16
3.	1	1888	480	16
4.	1	1968	580	16
5.	1	2004	625	18
6.	4	475	480	16
7.	1	1888	480	16
8.	4	475	480	16
9.	1	1873	1000	16
10.	4	1912	492	3
11.	1	985	480	16
12.	1	1968	70	18
13.	2	1912	498	3
14.	1	1873	1000	16

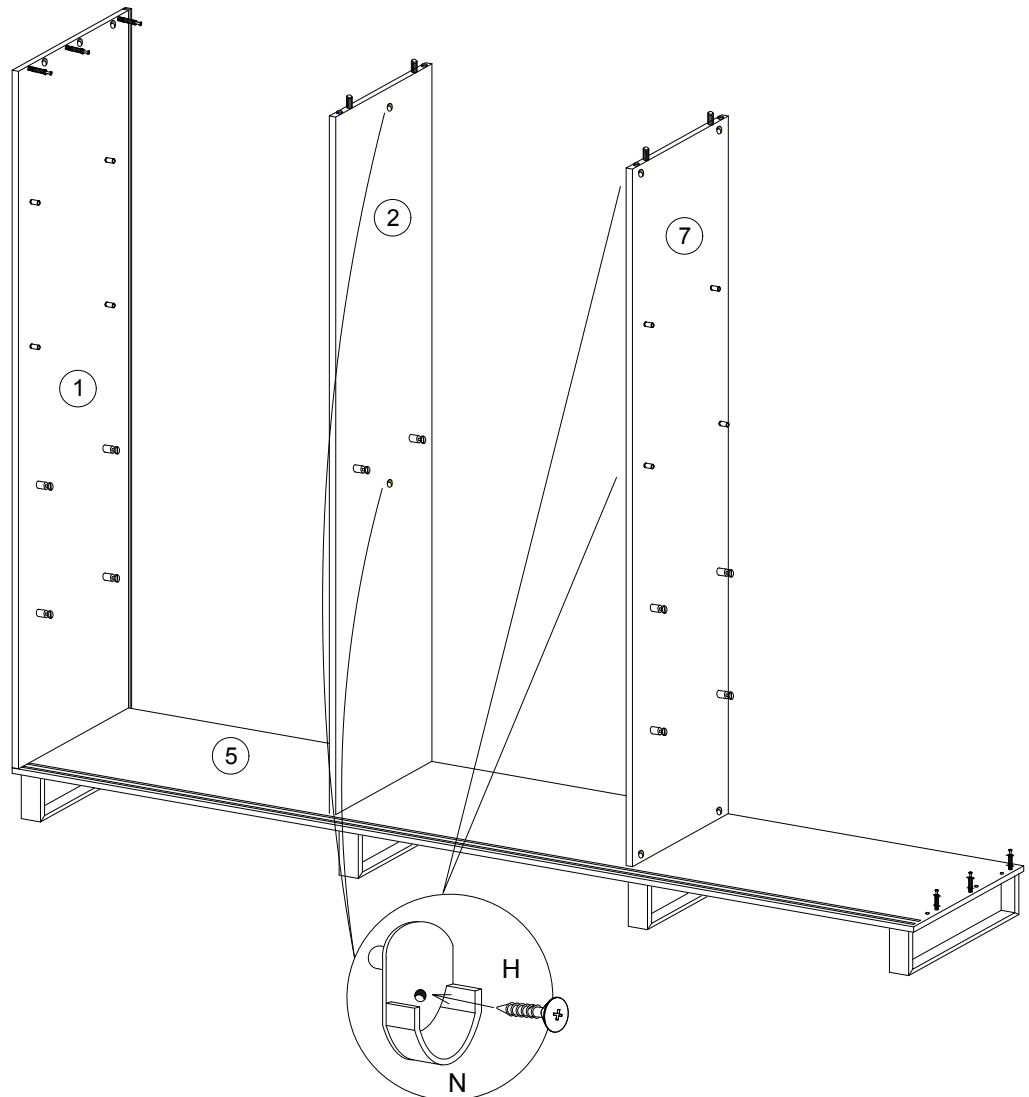




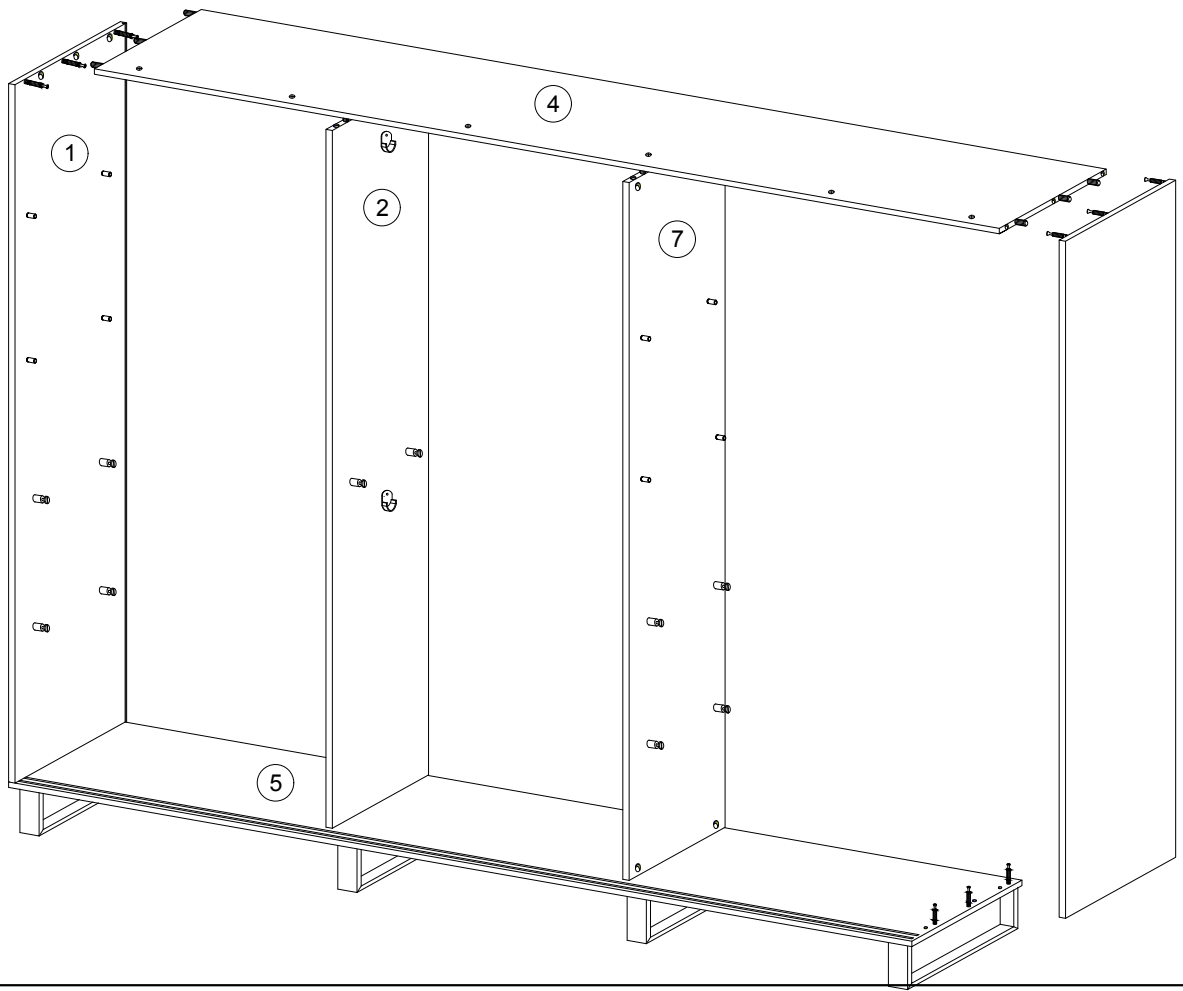
11



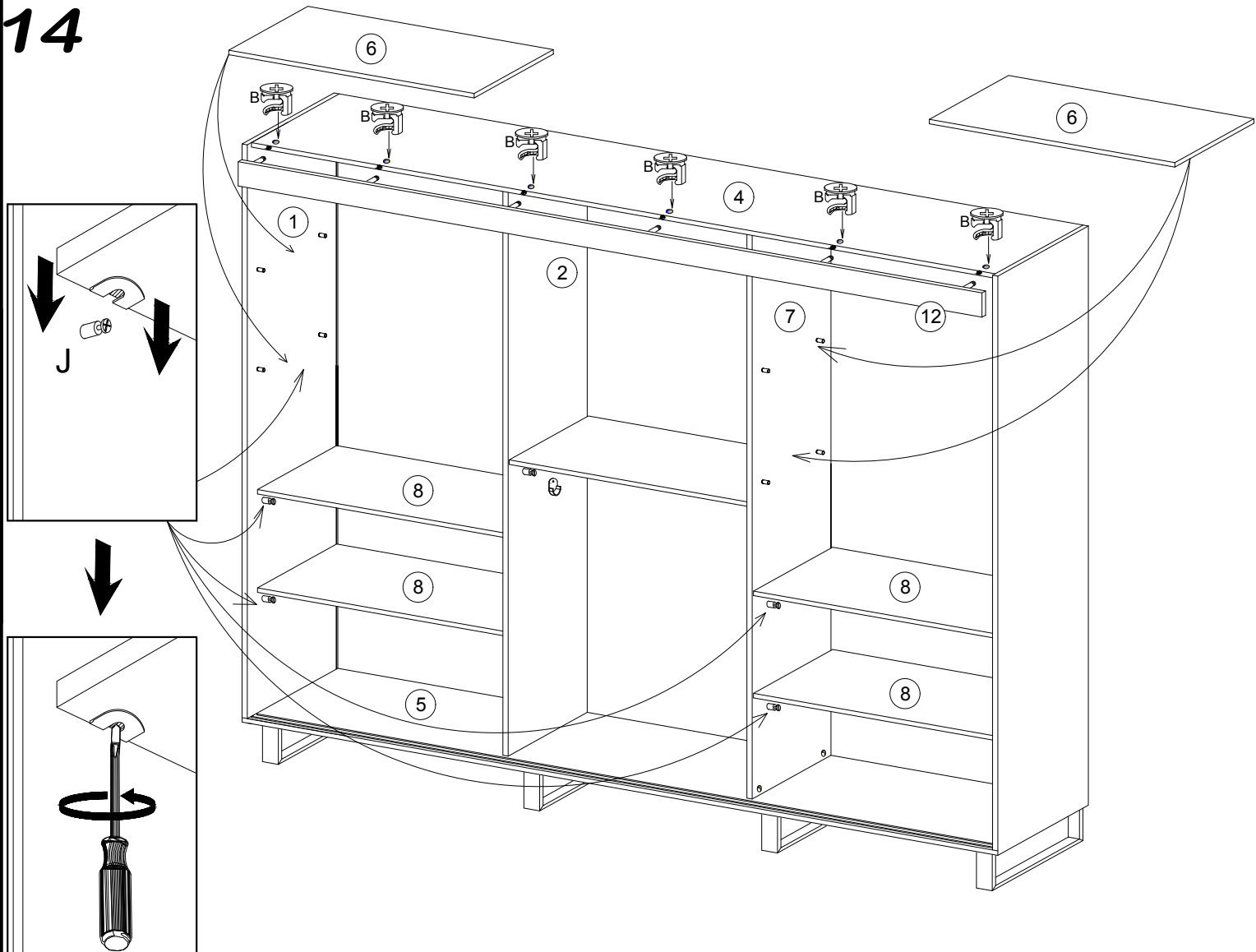
12



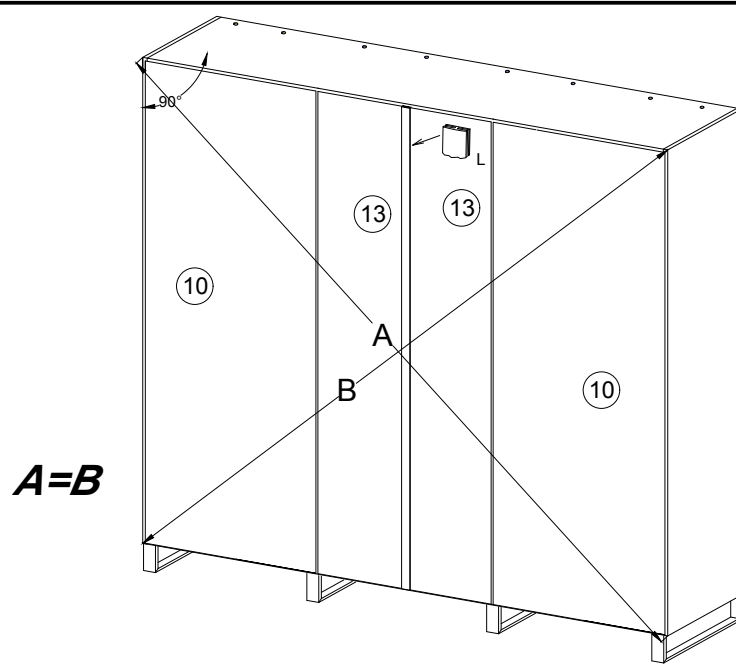
13



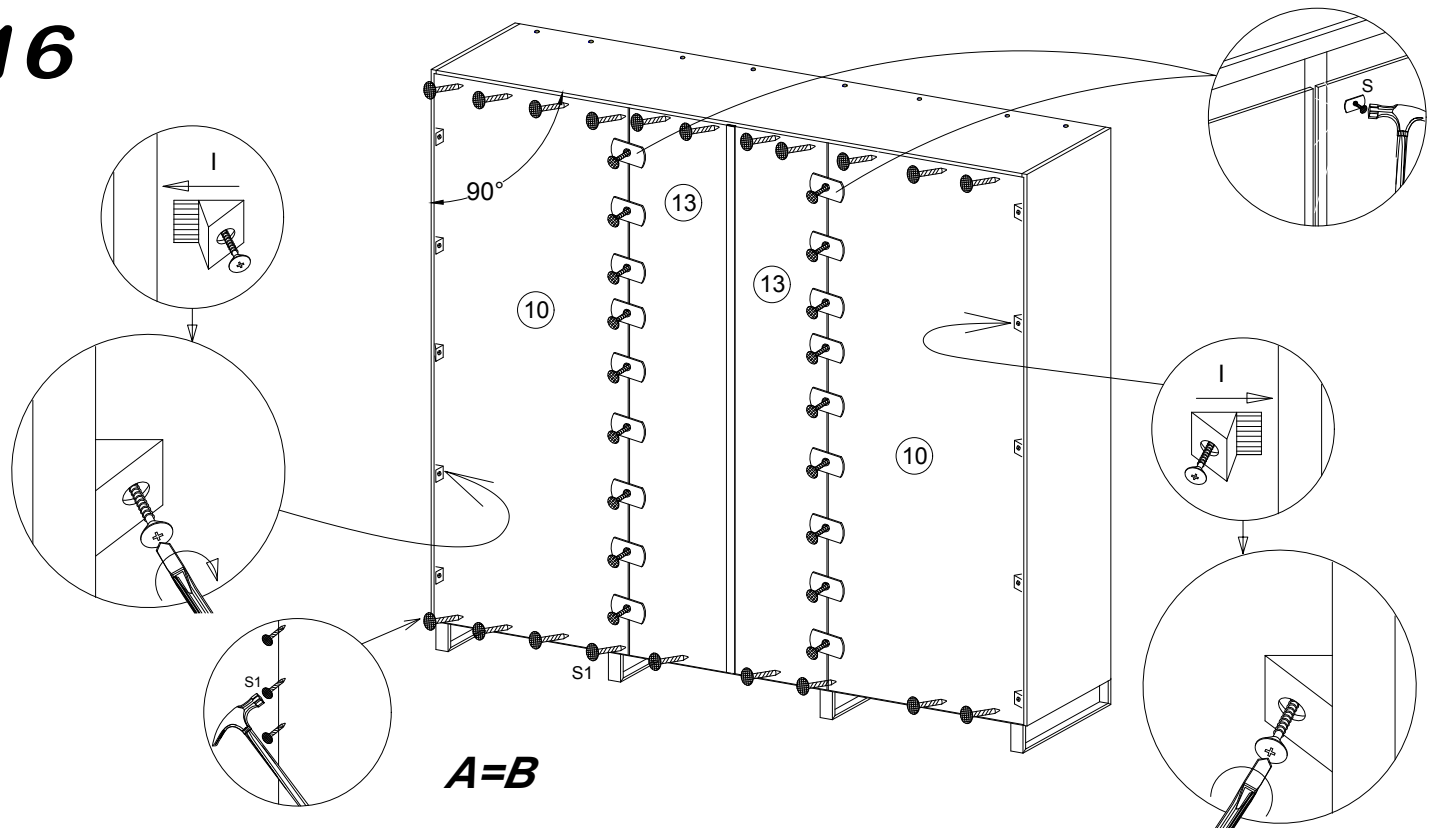
14



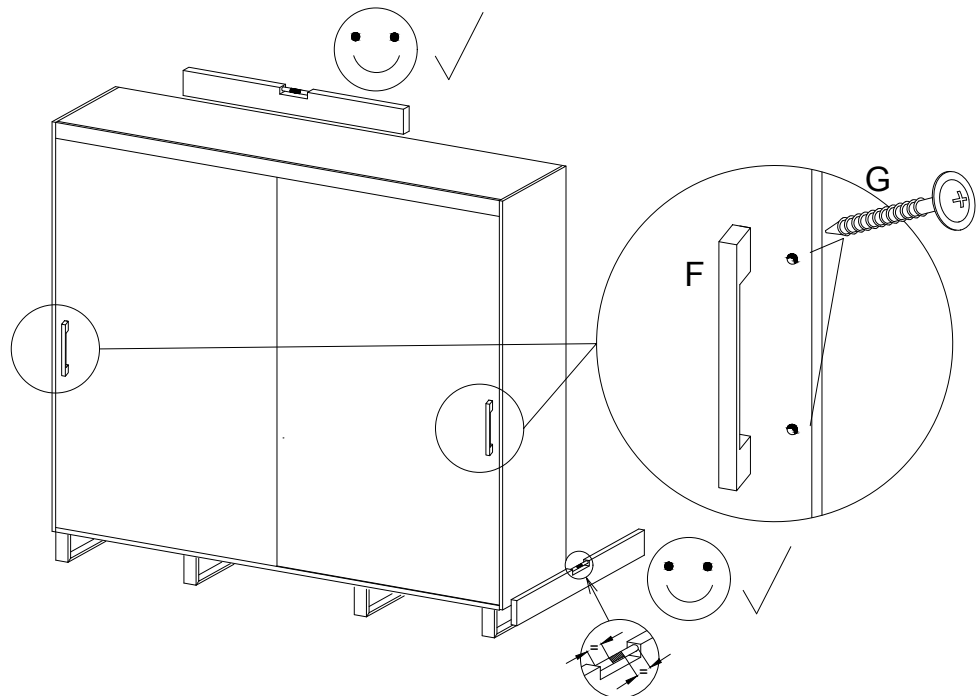
15

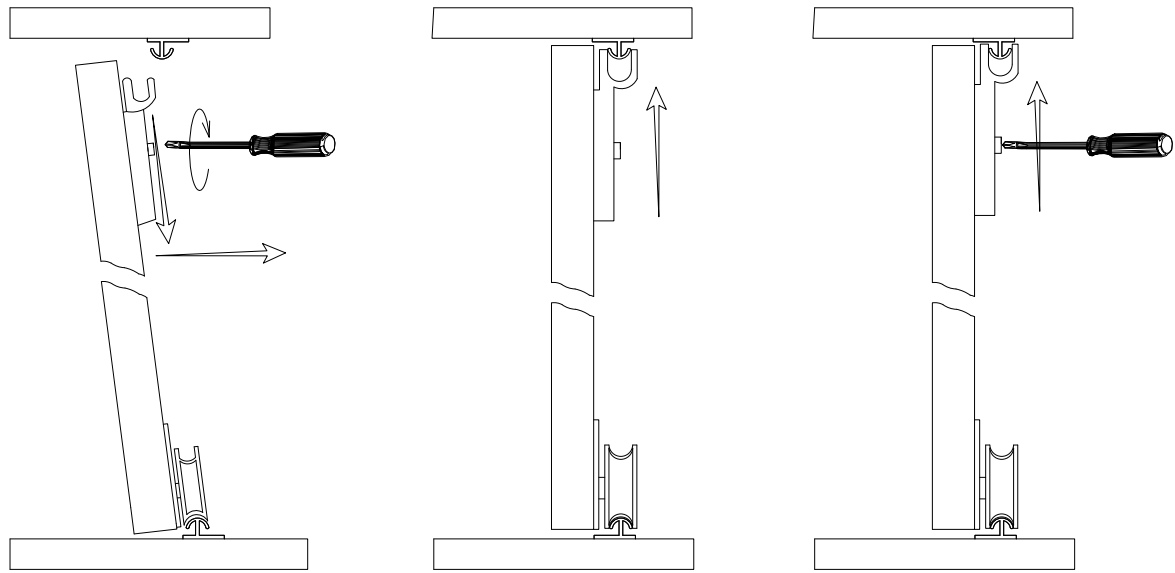
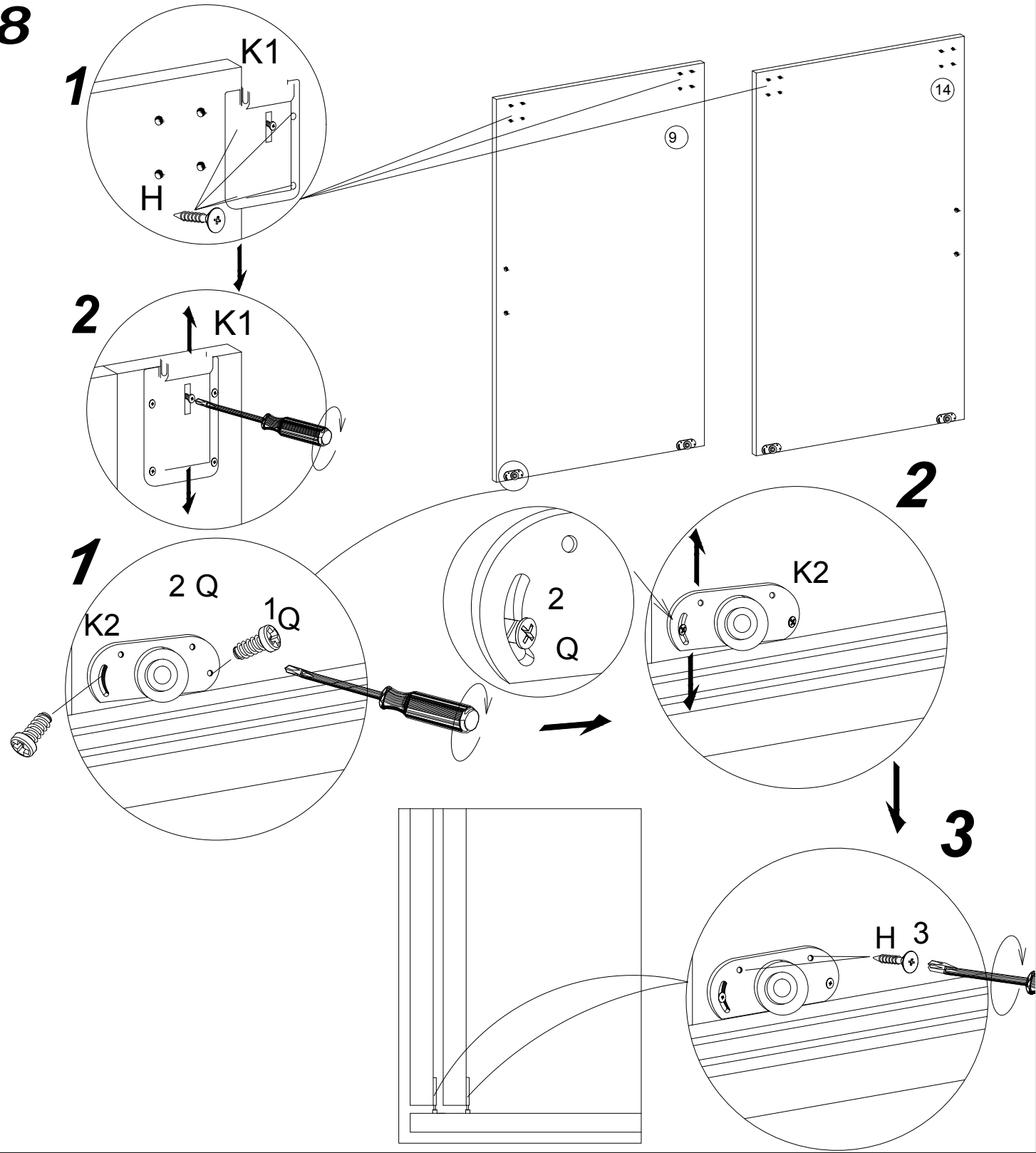


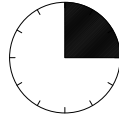
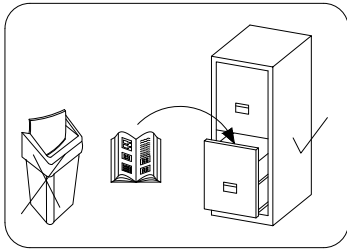
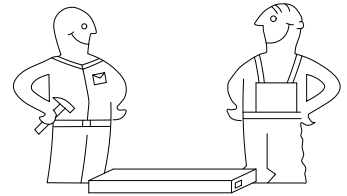
16



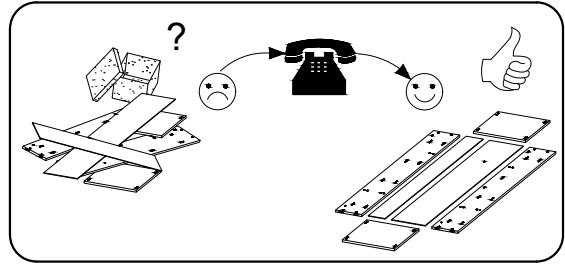
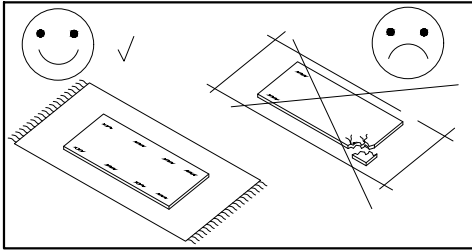
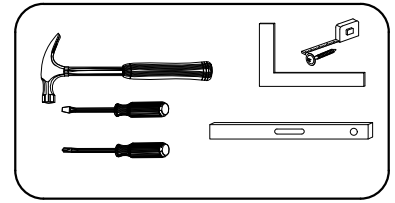
17

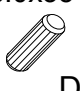


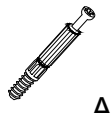




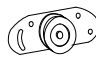
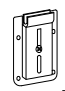
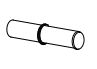
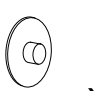





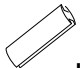






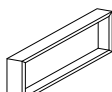









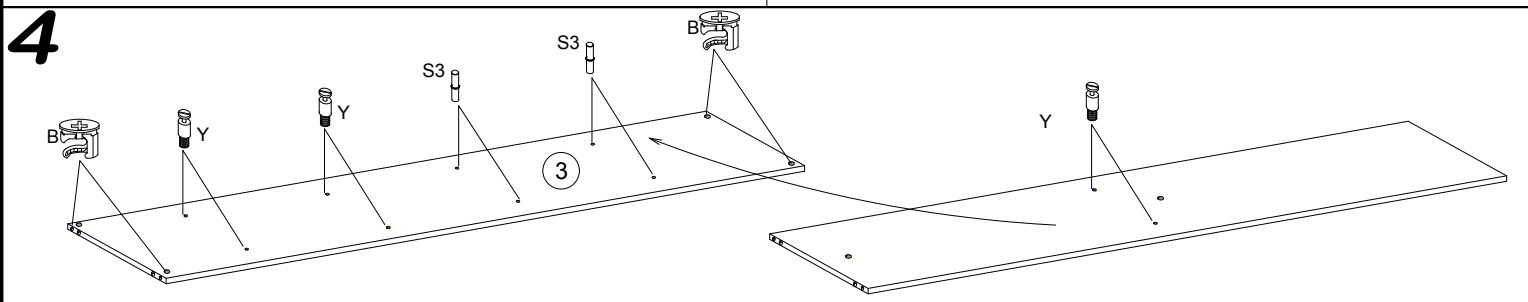
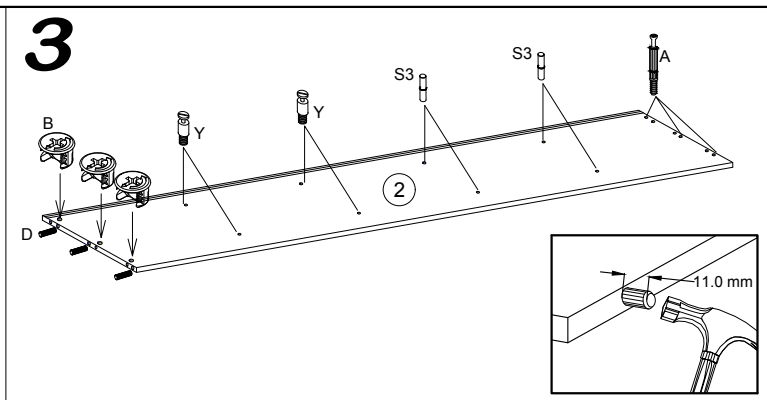
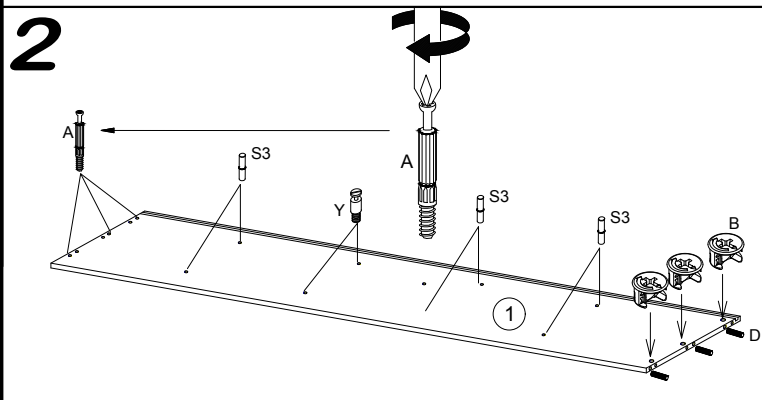
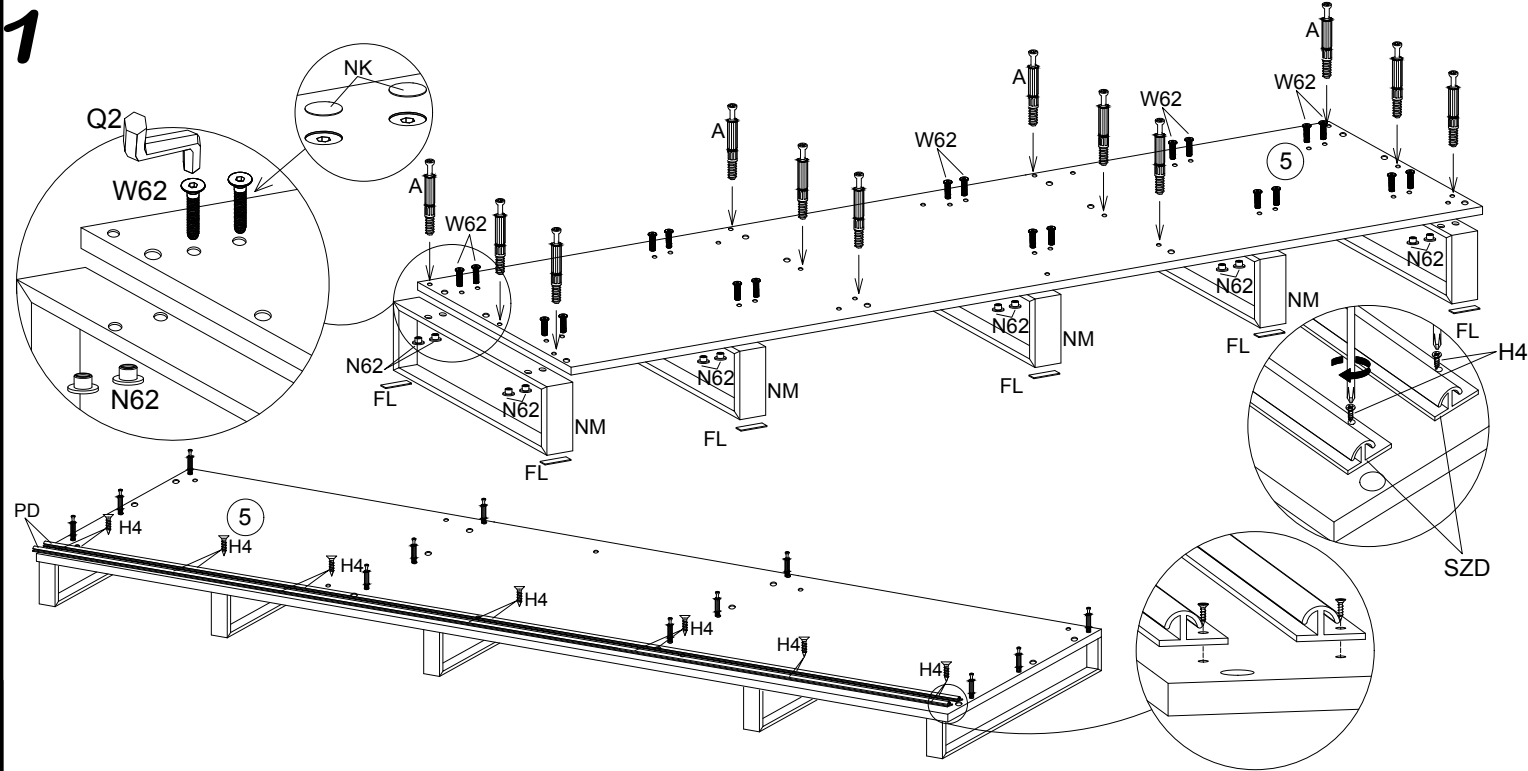
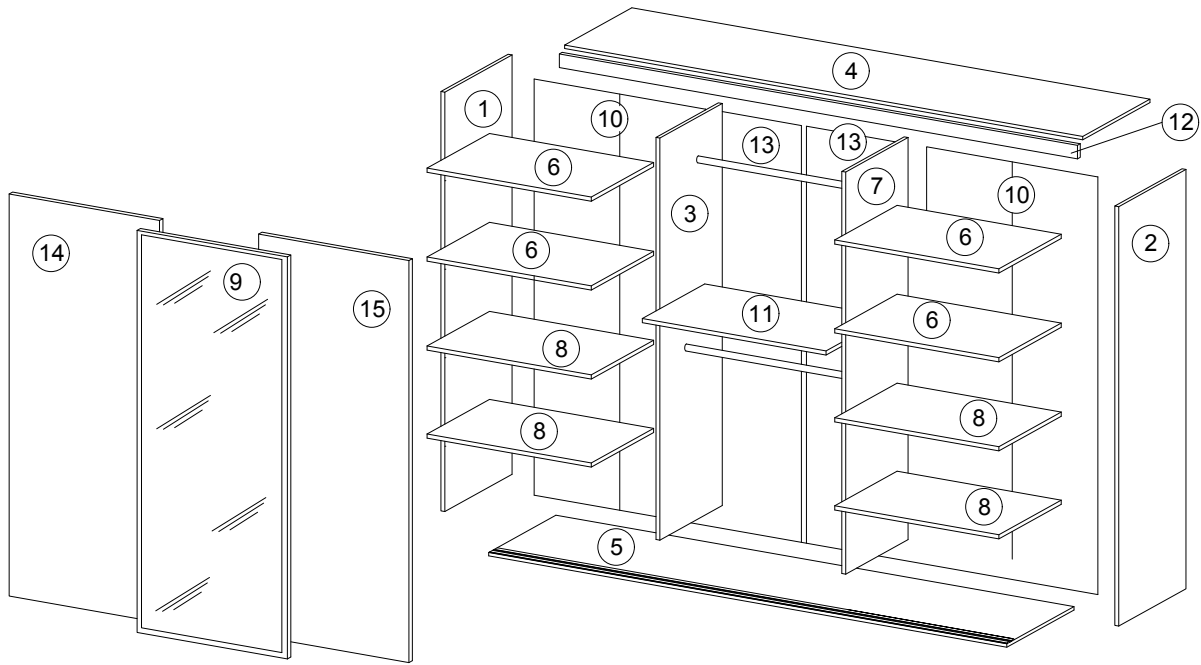
3 hours
3 zeit
3 godz.



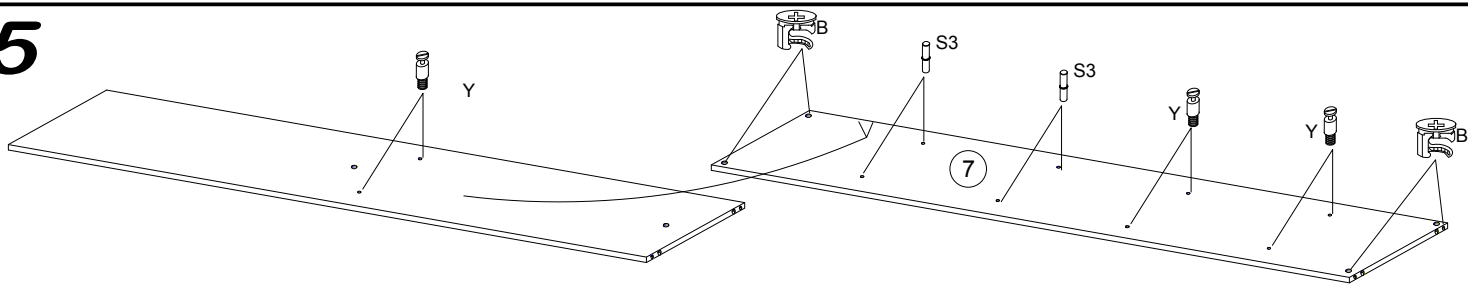
 D	 G	 Y	 A	 B	 H	 V	 N	 K2	 K1	 S3
20	4	20	26	26	34	20	4	6	6	16
 X	 F	 S	 S1	 I	 V1	 L	 Q	 W62	 Q2	 N62
26	2	38	95	35	2	3	12	20	1	20
 FL	 NK	 NM	 PD	 H4	 X1					
20	20	5	4	28	10					



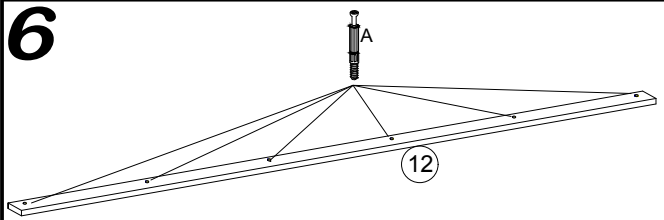
		L	W	D
1.	1	1905	620	16
2.	1	1905	620	16
3.	1	1888	480	16
4.	1	2468	580	16
5.	1	2504	625	18
6.	4	667	480	16
7.	1	1888	480	16
8.	4	667	480	16
9.	1	1873	850	16
10.	4	1912	341	3
11.	1	1102	480	16
12.	1	2468	70	18
13.	2	1912	557	3
14.	1	1873	850	16
15.	1	1873	850	16



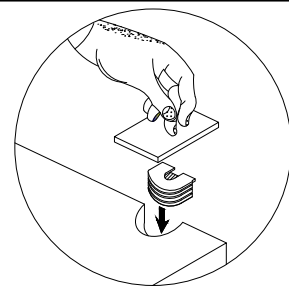
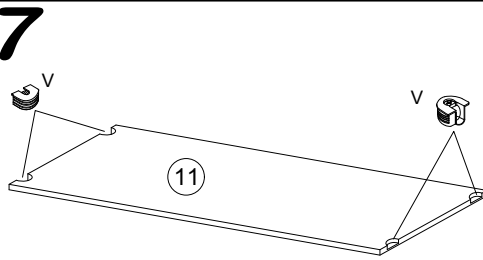
5



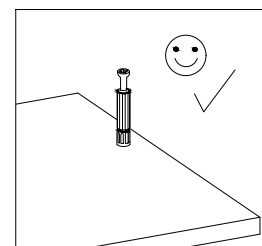
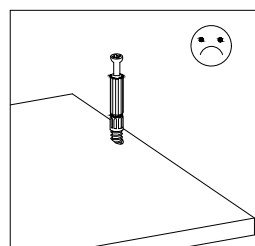
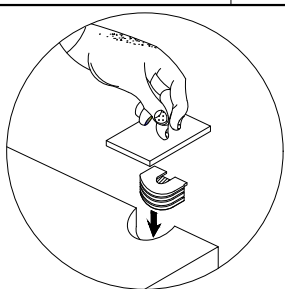
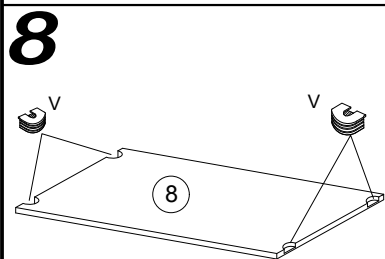
6



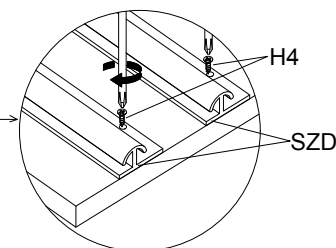
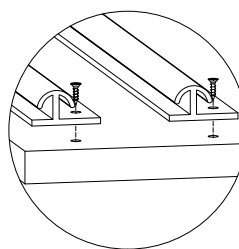
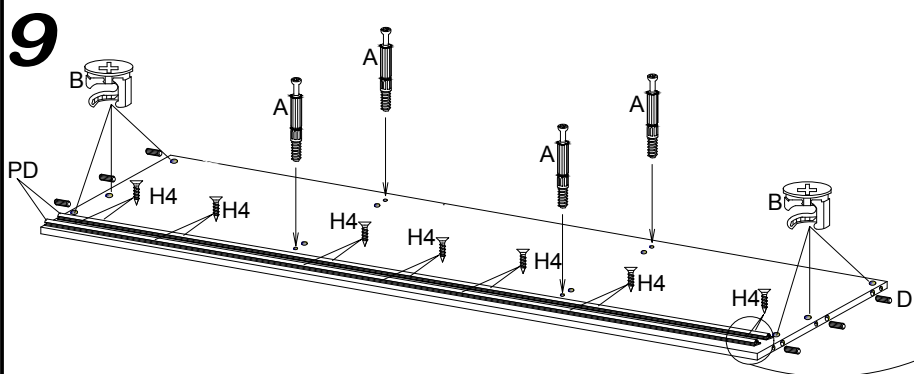
7



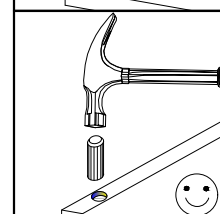
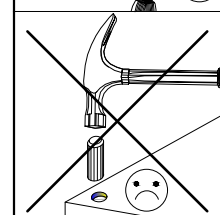
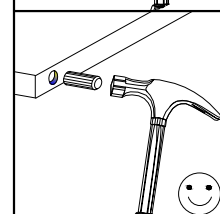
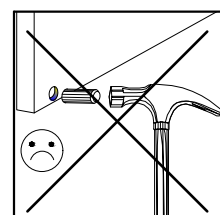
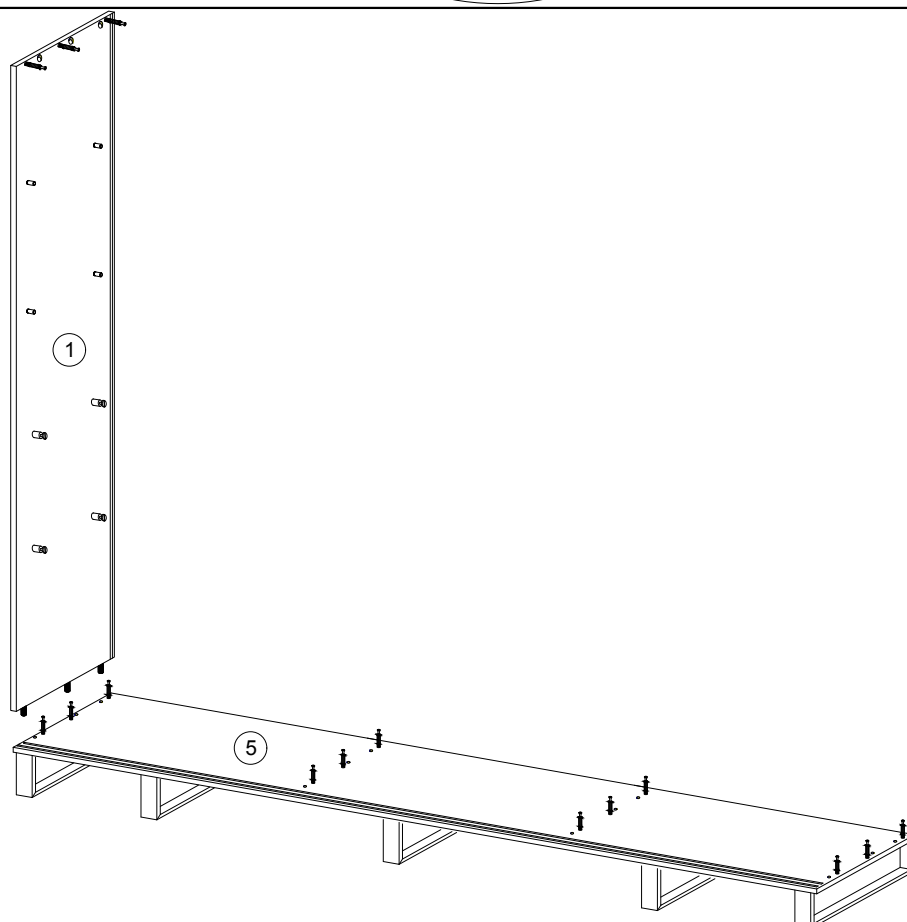
8



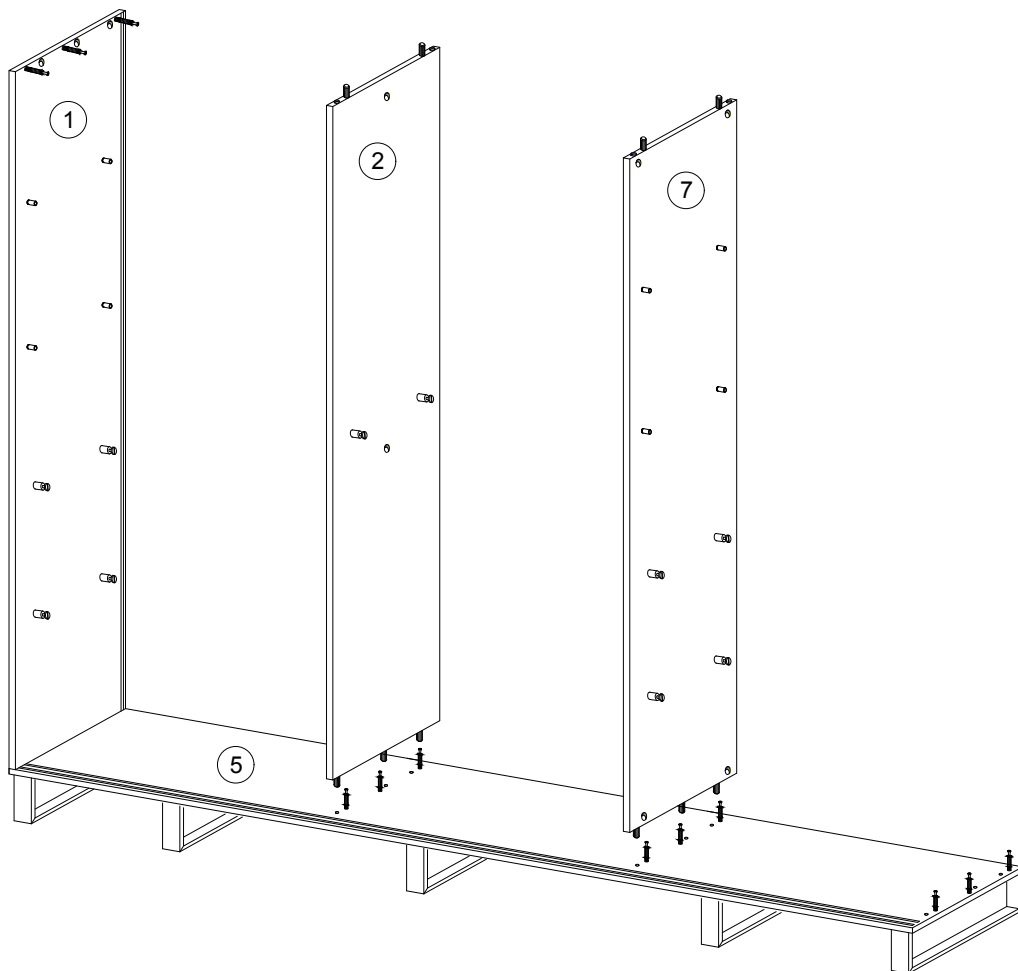
9



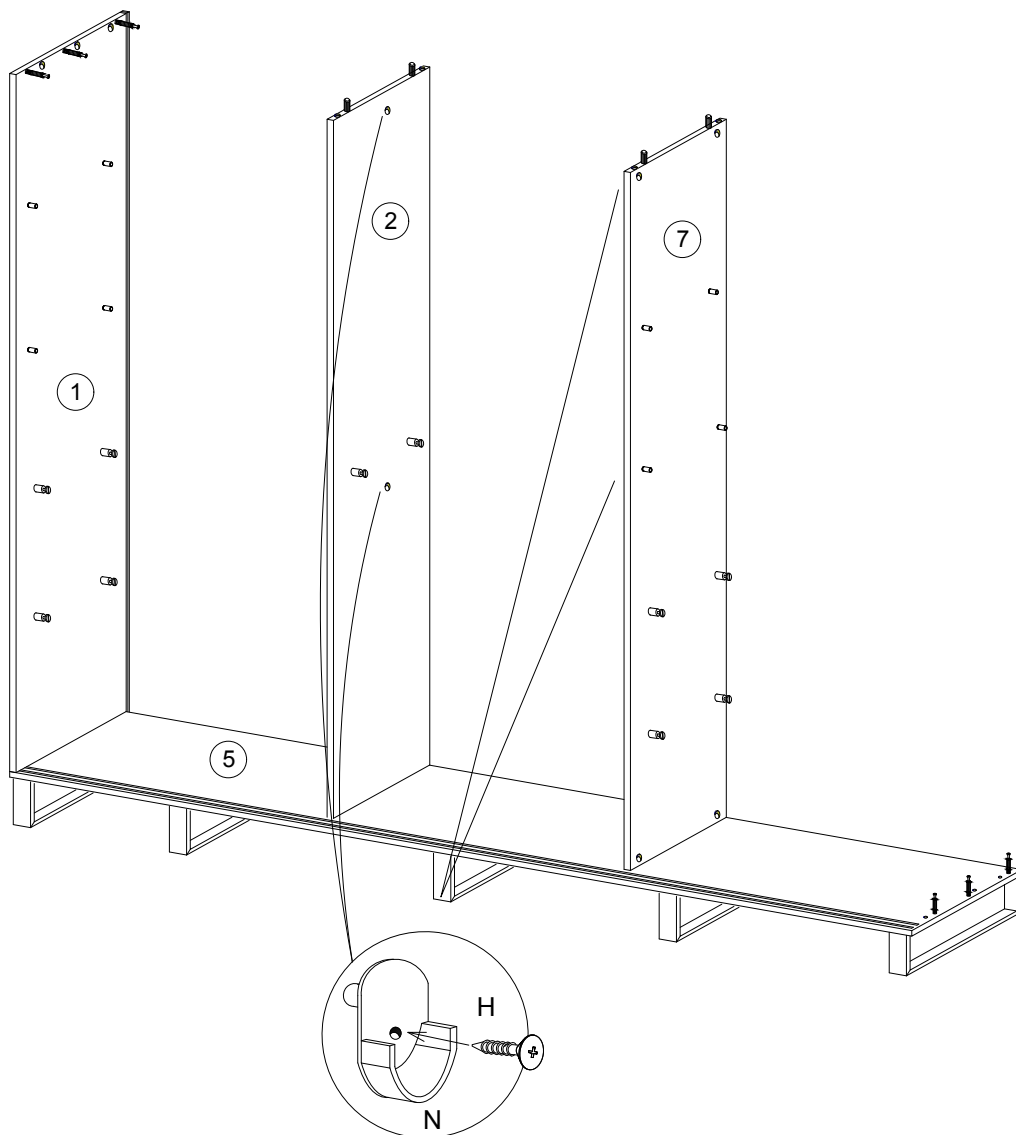
10



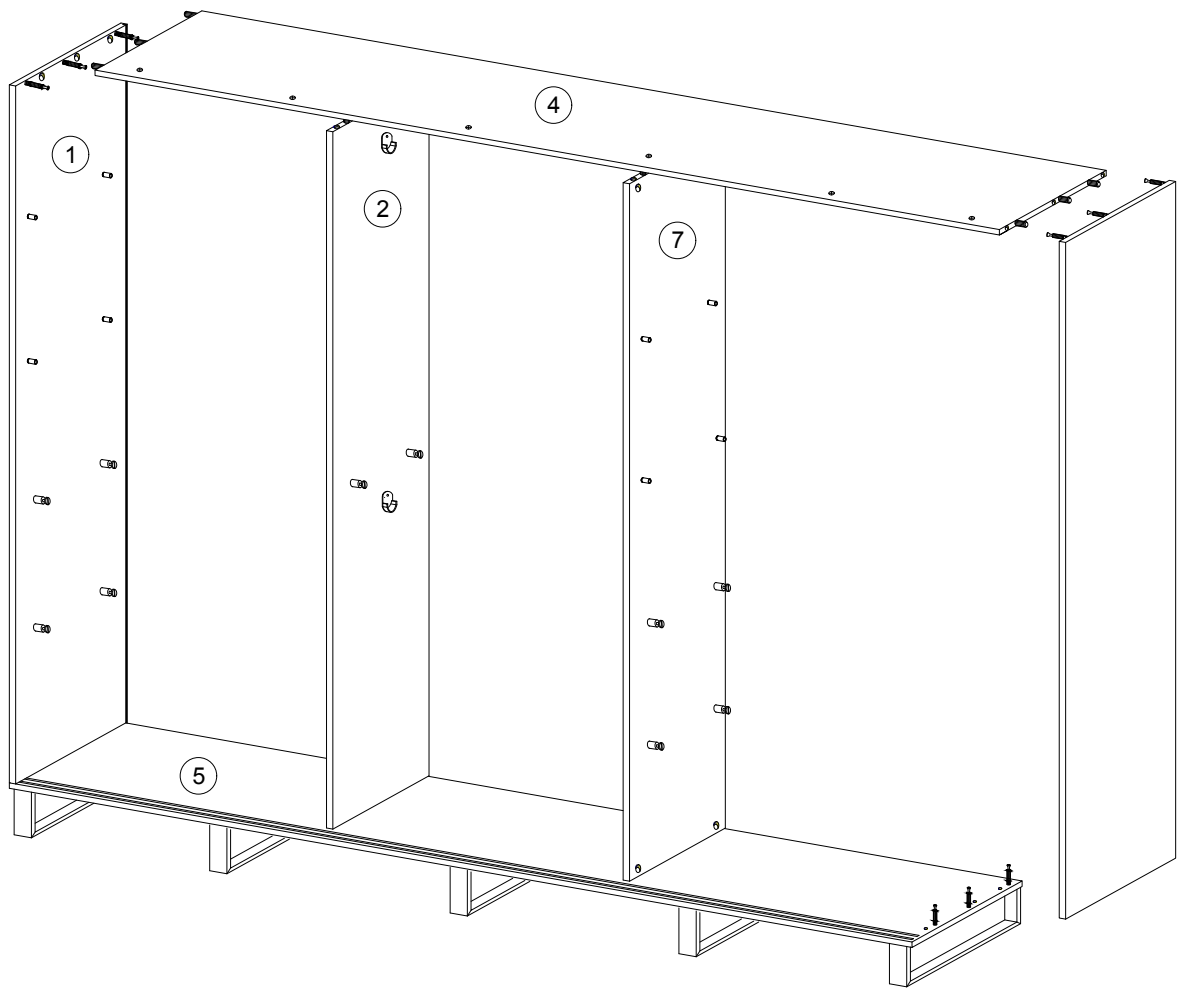
11



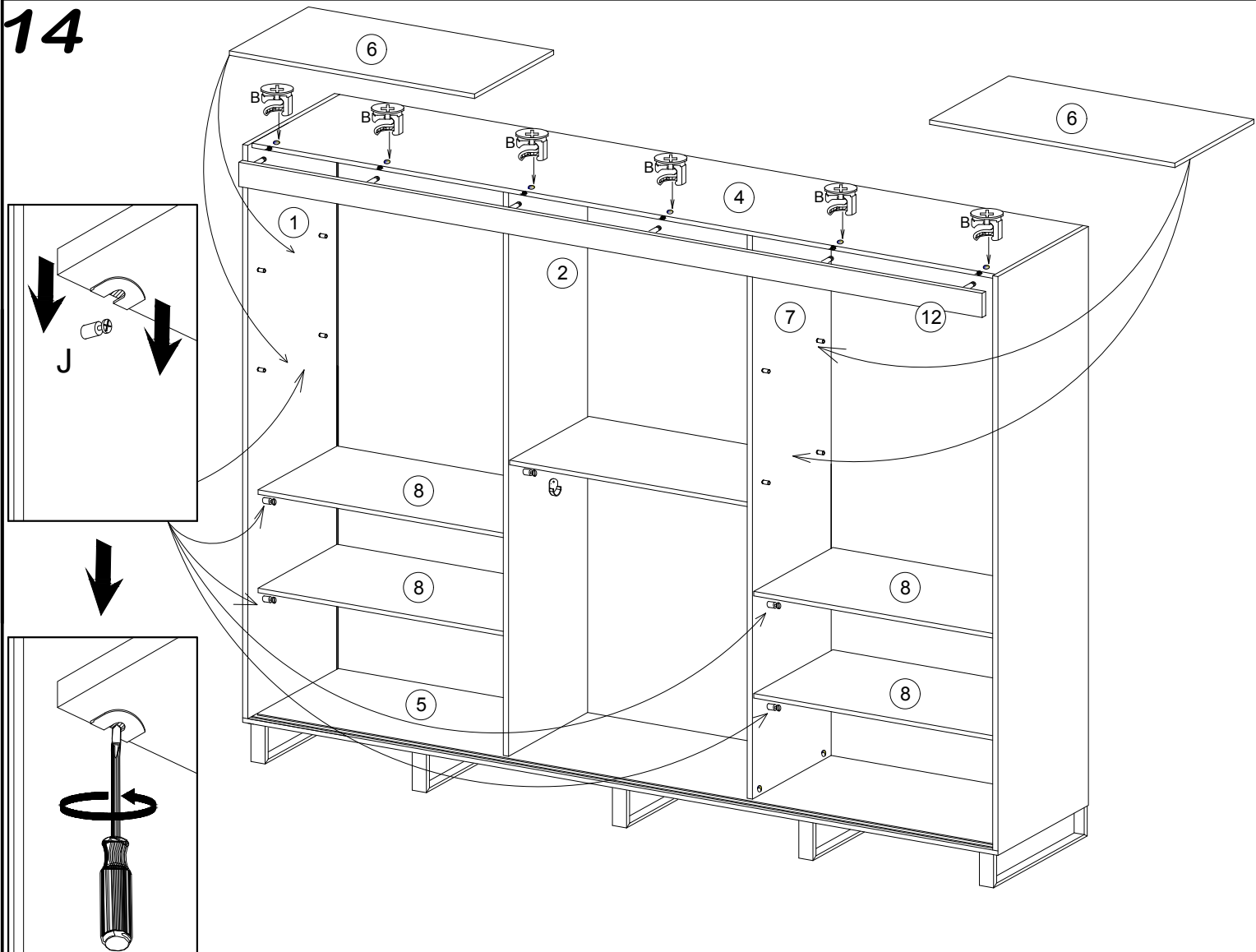
12



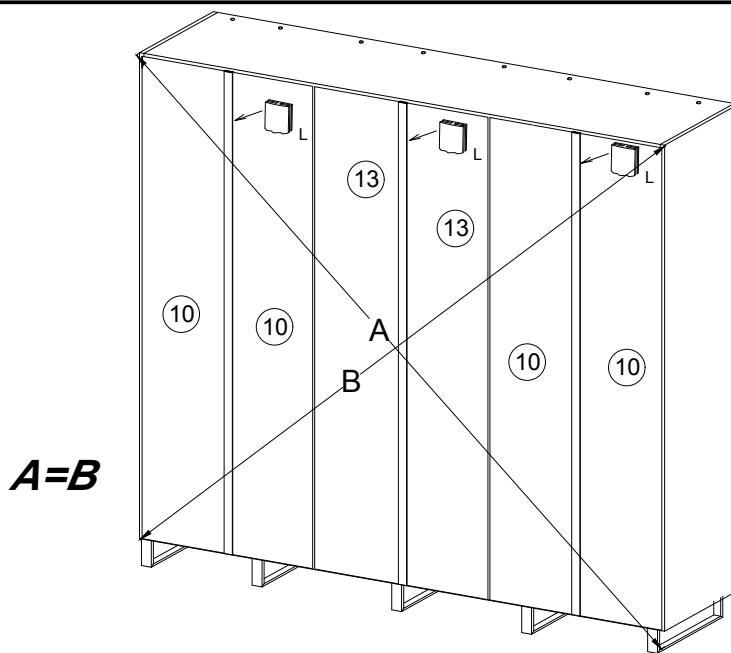
13



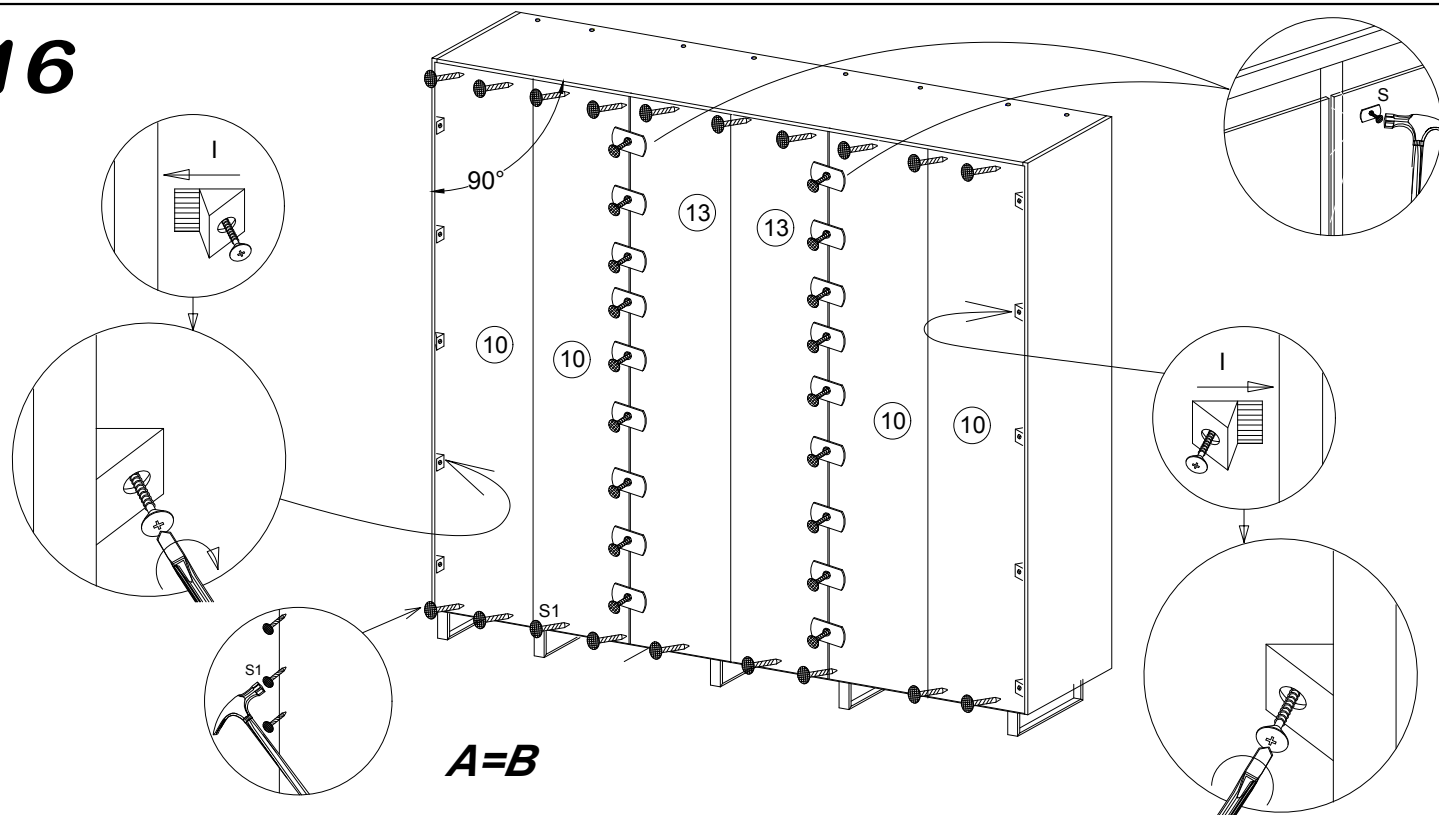
14



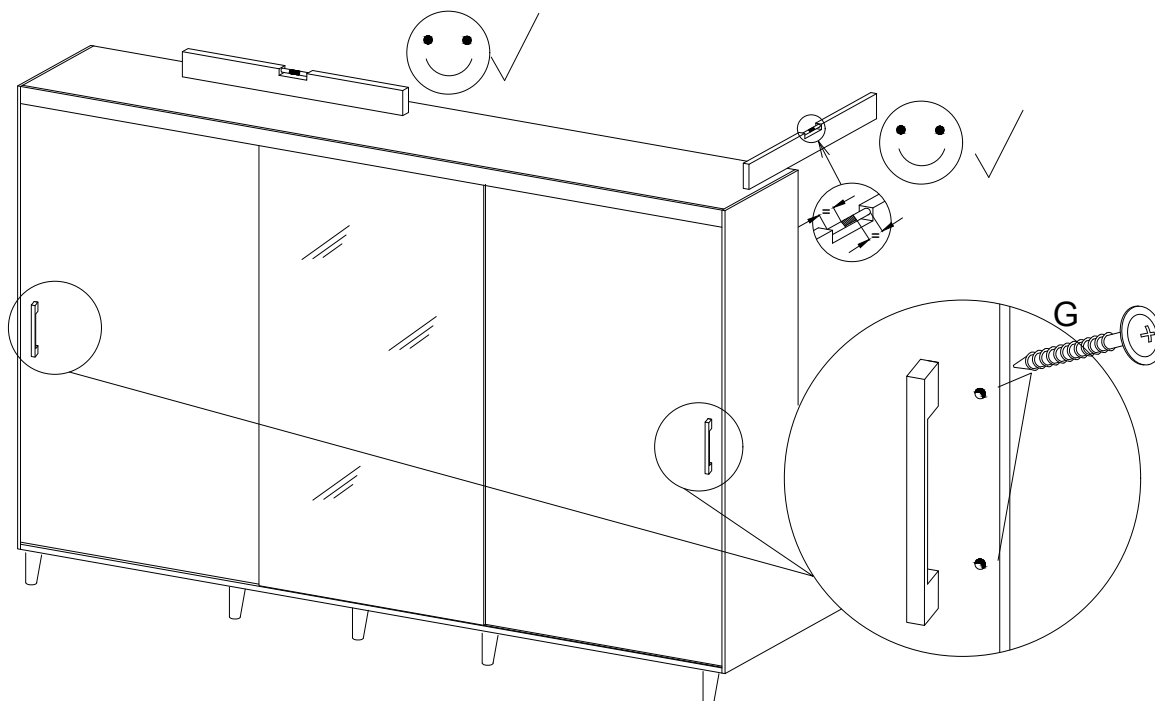
15



16



17



16

