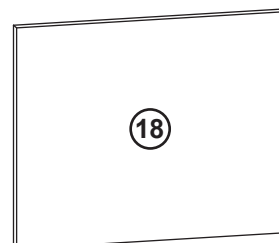
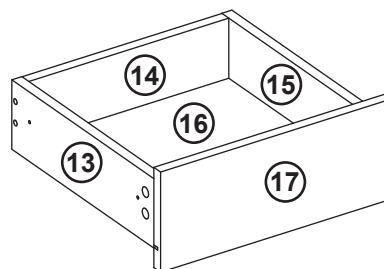
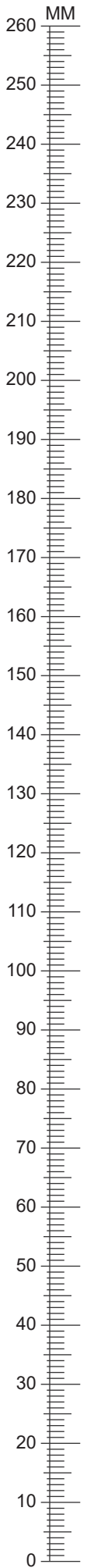
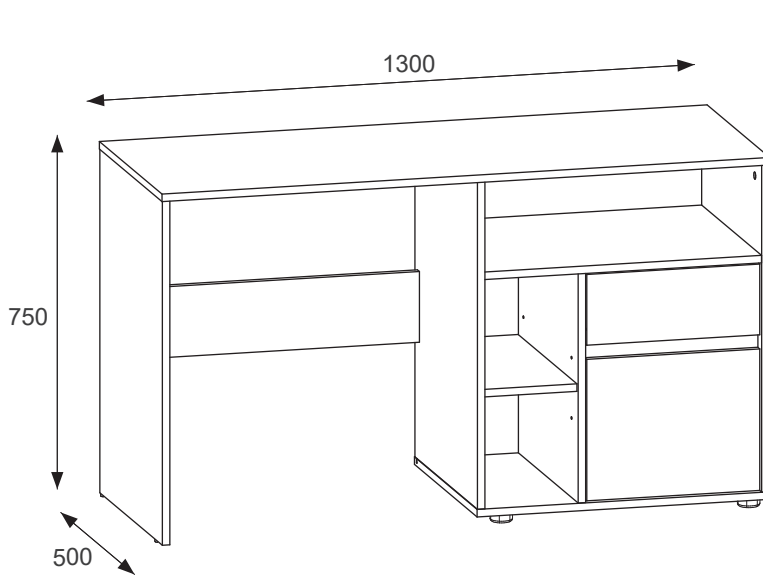
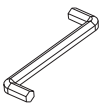

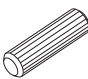

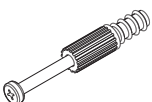

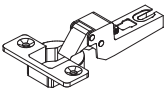
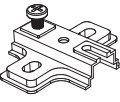



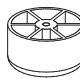
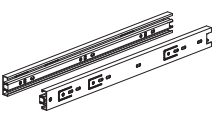

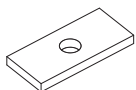

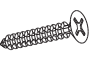







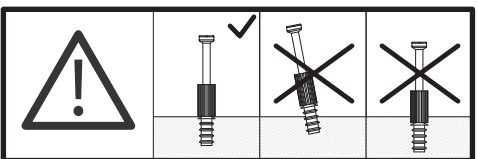
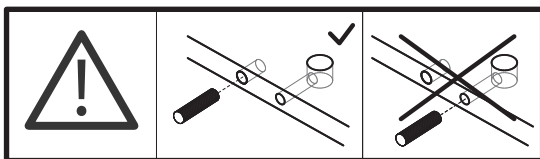
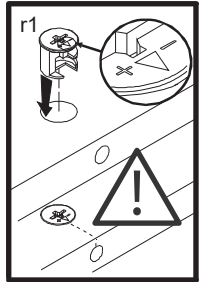
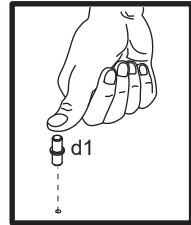
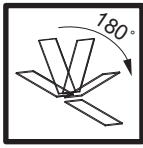
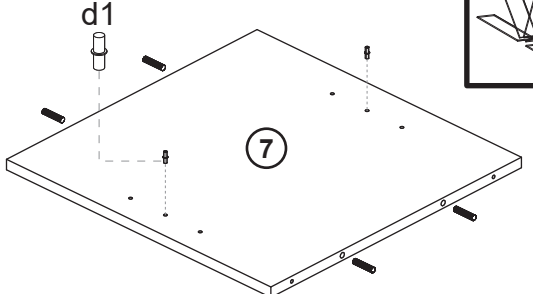
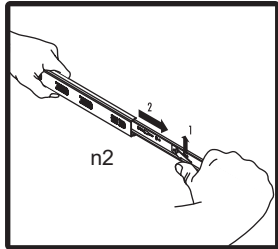
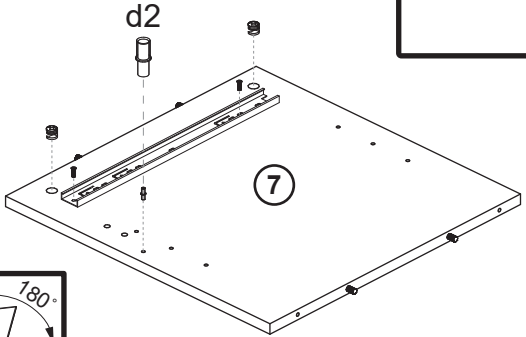
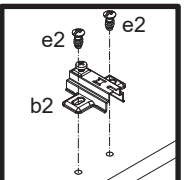
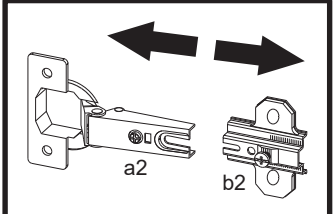
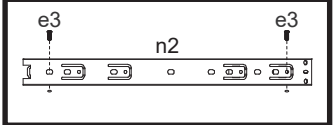
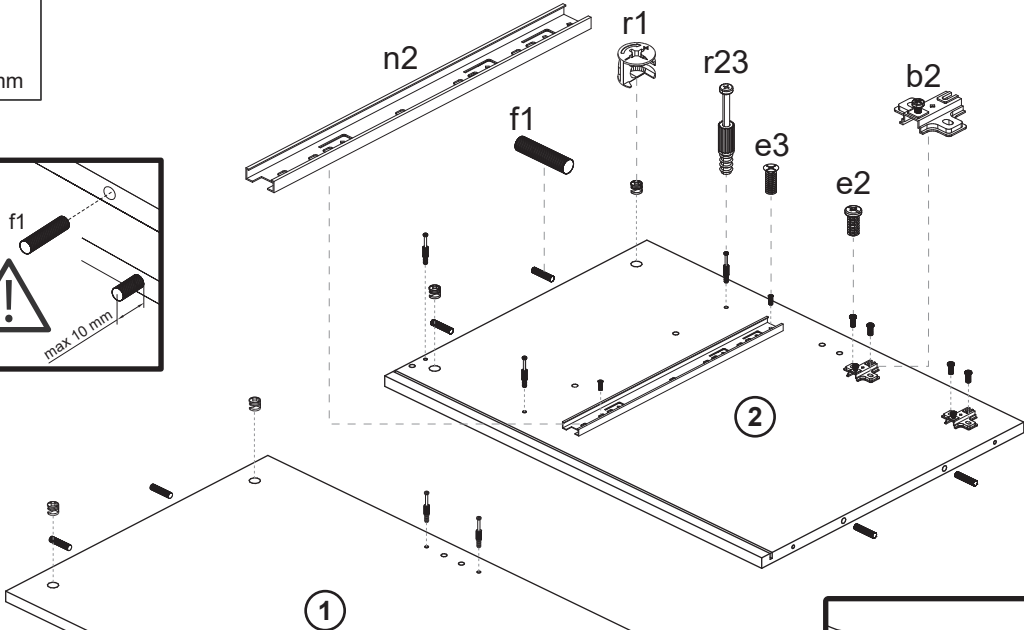
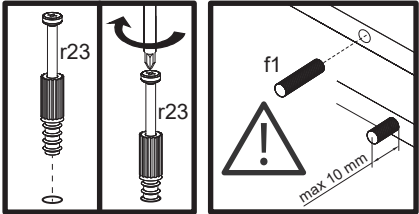
A	B (mm)		C
1	729	499	1/1
2	693	499	1/1
3	693	499	1/1
4	1300	500	1/1
5	626	500	1/1
6	592	478	1/1
7	486	477	1/1
8	376	60	1/1
9	198	606	1/1
10	500	606	1/1
11	199	469	1/1
12	658	150	1/1
13	350	104	1/1
14	350	90	1/1
15	350	104	1/1
16	357	335	1/1
17	370	150	1/1
18	370	300	1/1
19	592	80	1/1





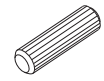
1x  4mm z1	12x  Ø 6,3x50mm e27	26x  Ø 8x30mm f1
20x  Ø 15x12mm r1	20x  45mm r23	4x  Ø 5mm d1
2x  Ø 35mm a2	2x  40x50x12mm b2	1x  Ø 5mm d2
12x  Ø 20mm s1	6x  Ø 12mm s3	4x  25x45x45mm k43
1x  L=350mm n2	8x  10x10x15mm l3	4x  L=20x10x2 mm n108
6x  Ø 4,2x16mm p21	4x  Ø 4x25mm p23	4x  Ø 6,3x13 mm e2
12x  Ø 3x16mm p50	4x  Ø 3,5x16mm p51	8x  Ø 5x13 mm e3
2x  Ø 15mm k40		

1	f1 x 10 Ø 8x30mm	r1 x 6 Ø 15x12mm	r23 x 5 45mm	d1 x 2 Ø 5mm	d2 x 1 Ø 5mm	n2 x 1 L=350mm	e3 x 4 Ø 5x13mm
	b2 x 2 40x50x12mm	e2 x 4 Ø 6,3x13mm					



2

f1 x 16



Ø 8x30mm

r1 x 10



Ø 15x12mm

r23 x 11

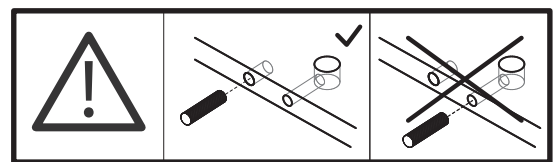
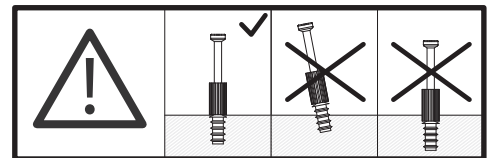
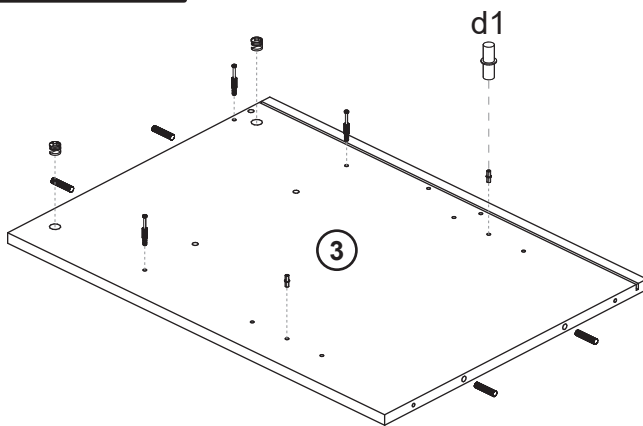
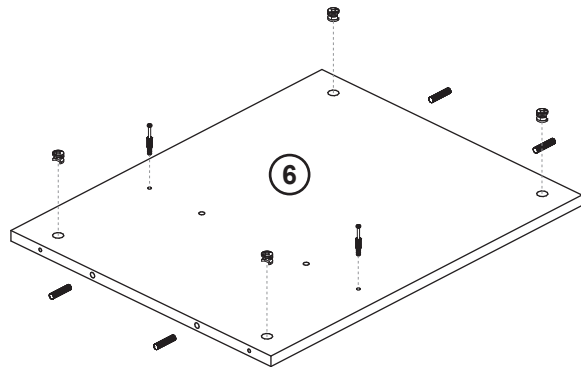
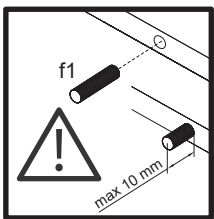
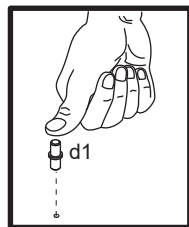
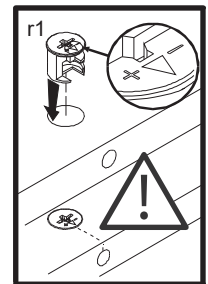
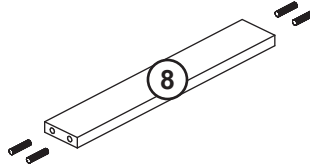
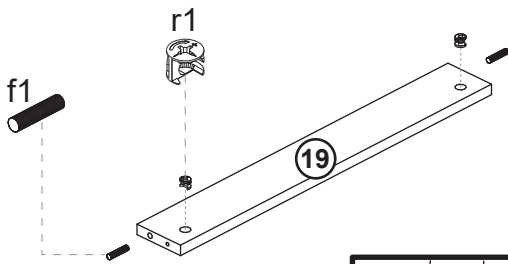
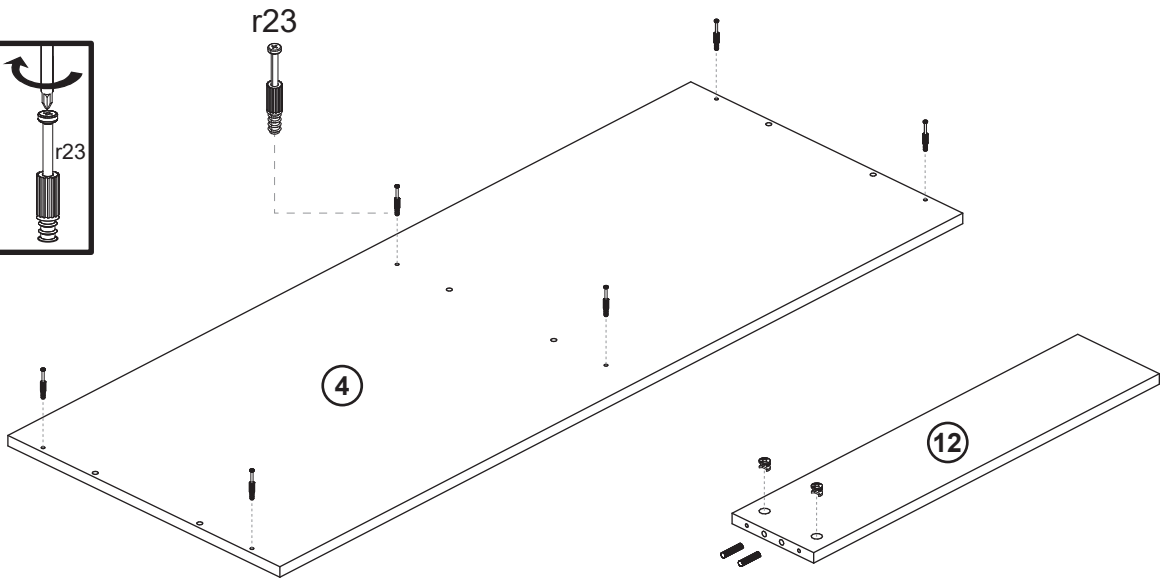
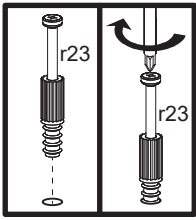


45mm

d1 x 2



Ø 5mm

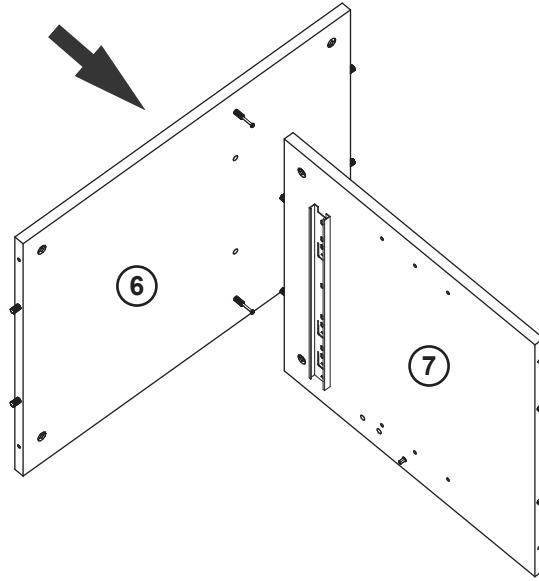
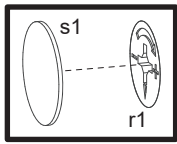
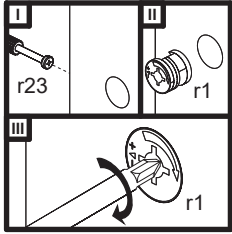


3

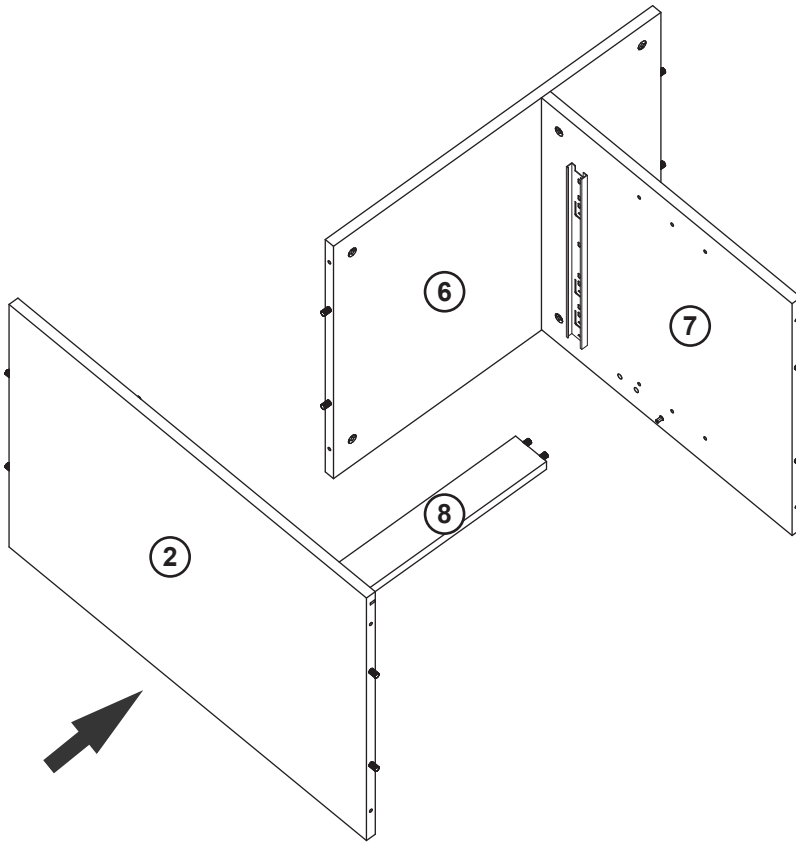
s1 x 2



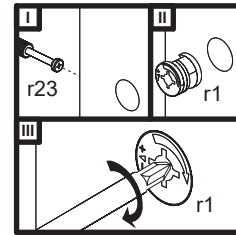
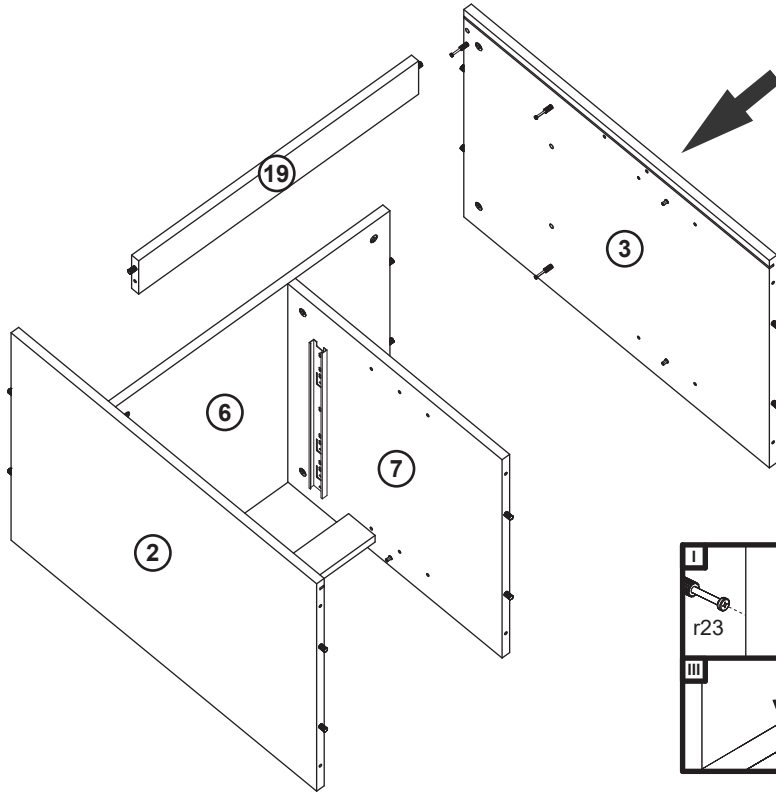
Ø 20mm



4



5



6

s3 x 6

Ø 12mm



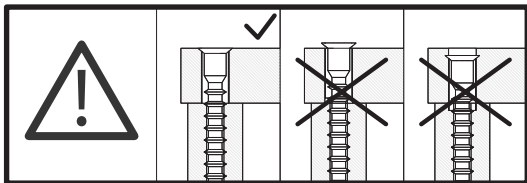
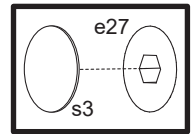
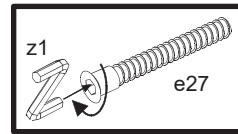
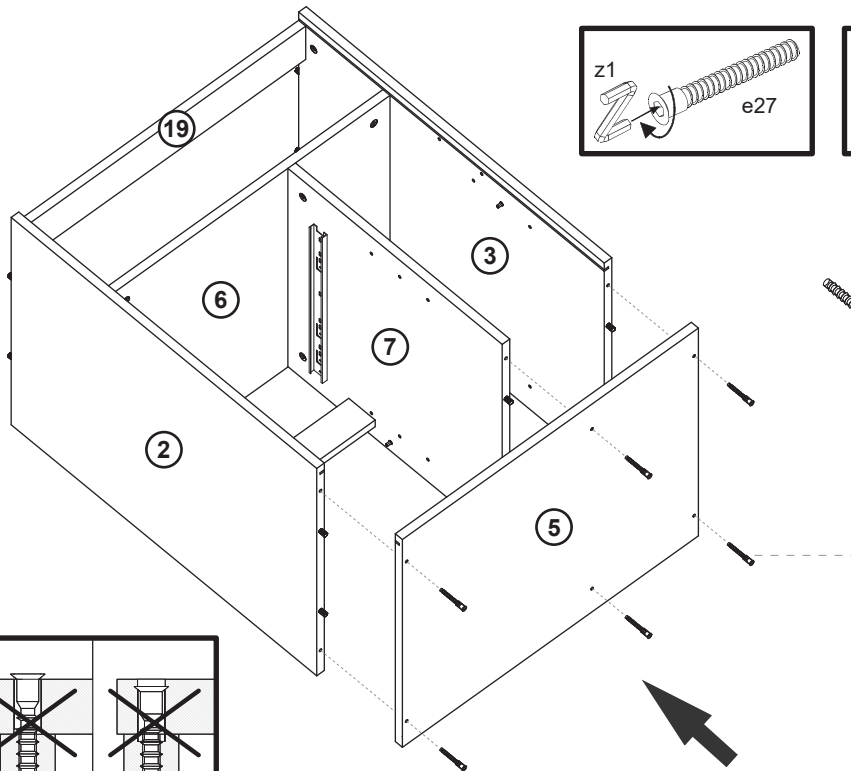
e27 x 6

Ø 6,3x50mm



z1 x 1

4mm



7

e27 x 2

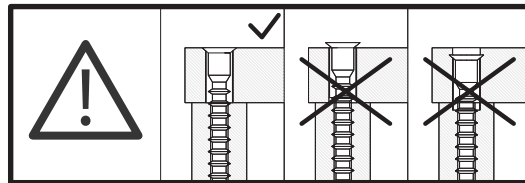
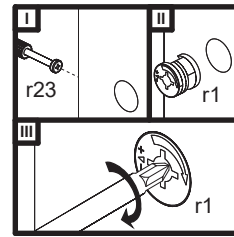
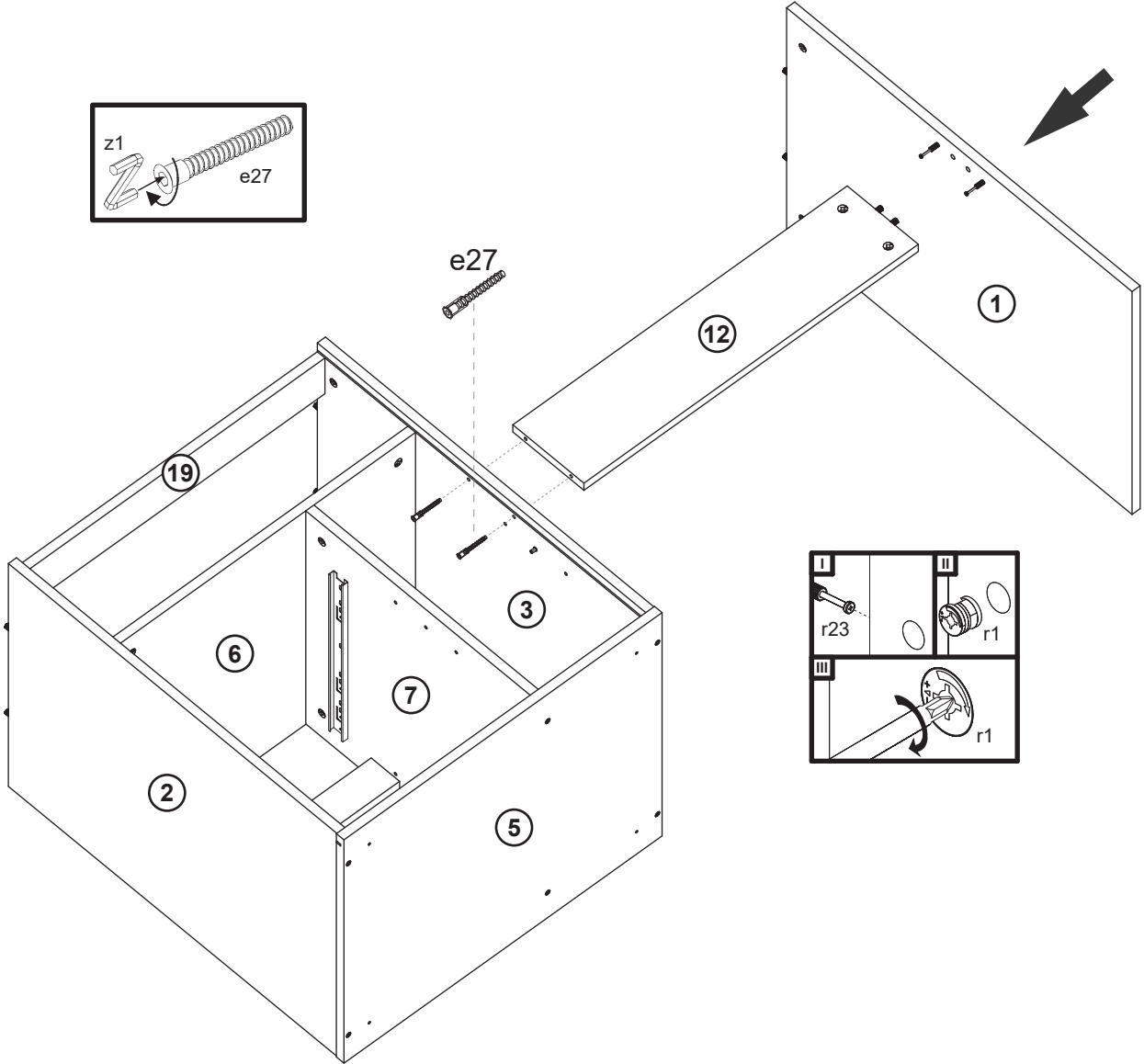
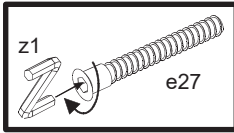


Ø 6,3x50mm

z1 x 1



4mm



8

p21 x 3



Ø 4,2x16mm

p23 x 4



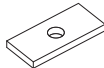
Ø 4x25mm

p50 x 12



Ø 3x16mm

n108 x 4



L=20x10x2mm

l3 x 8



10x10x15mm

k40 x 2

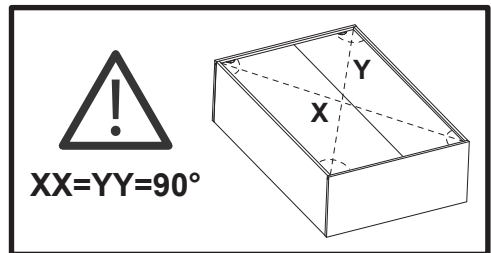
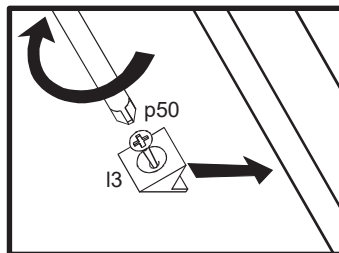
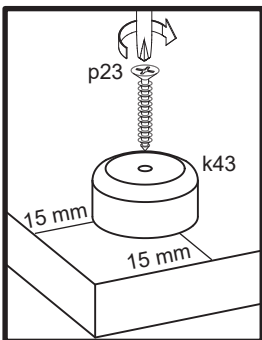
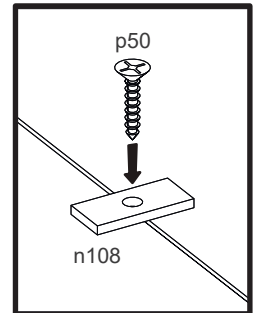
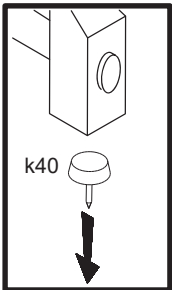
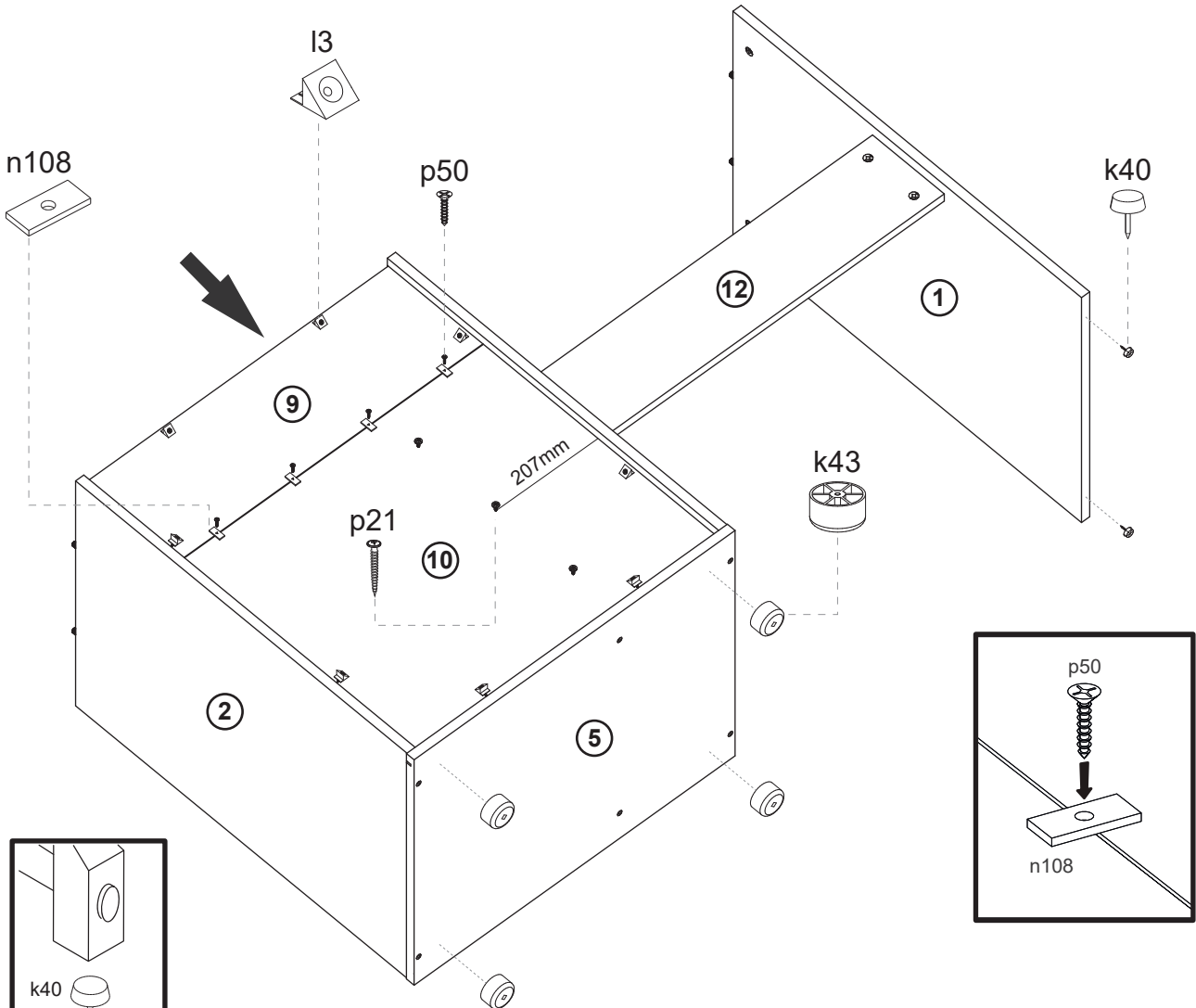


Ø 15mm

k43 x 4



25x45x45mm

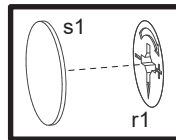
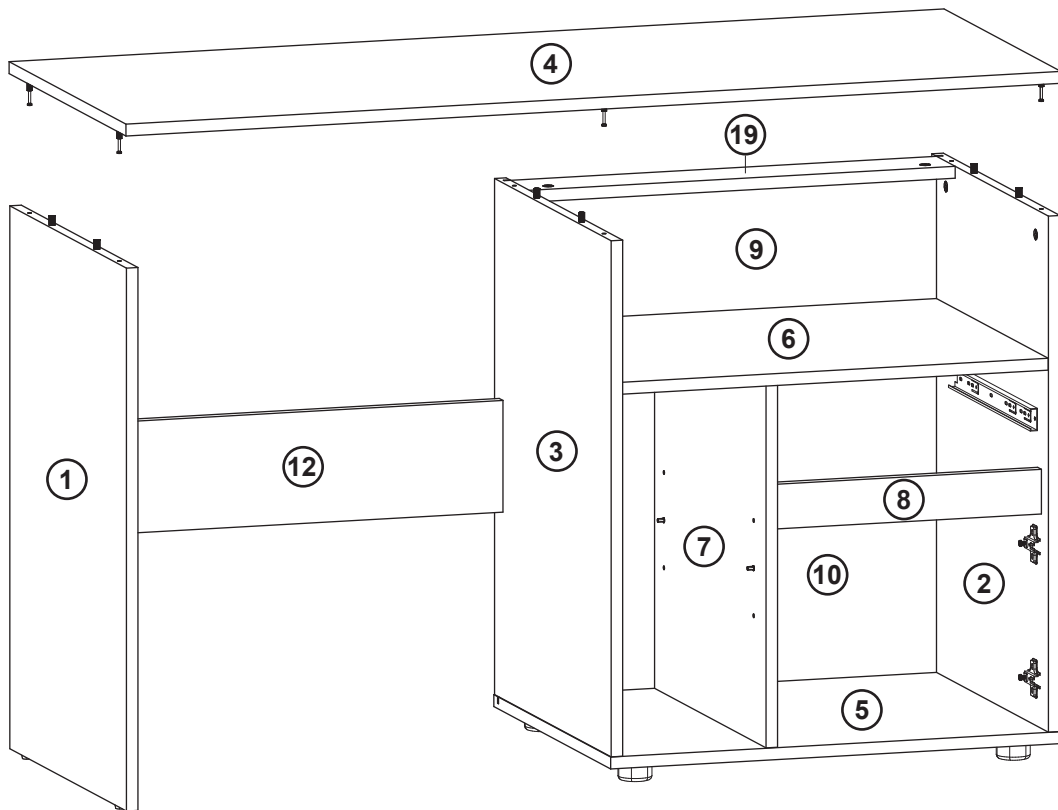
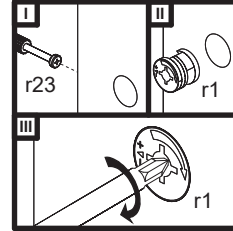


9

s1 x 6



Ø 20mm



10

p21 x 3



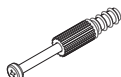
Ø 4,2x16mm

r1 x 4



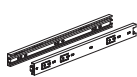
Ø 15x12mm

r23 x 4



45mm

n2 x 1



L=350mm

e3 x 4



Ø 5x13mm

e27 x 4



Ø 6,3x50mm

z1 x 1

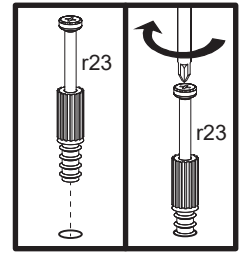
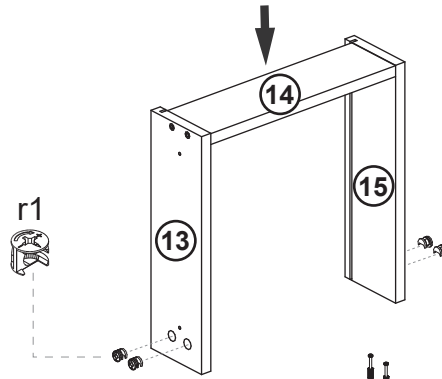
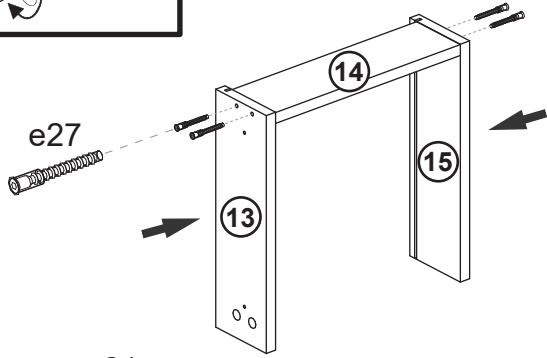
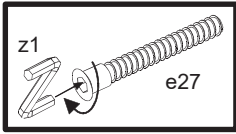


4mm

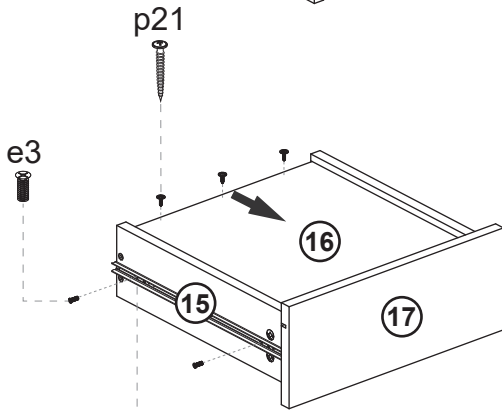
s1 x 4



Ø 20mm



r23



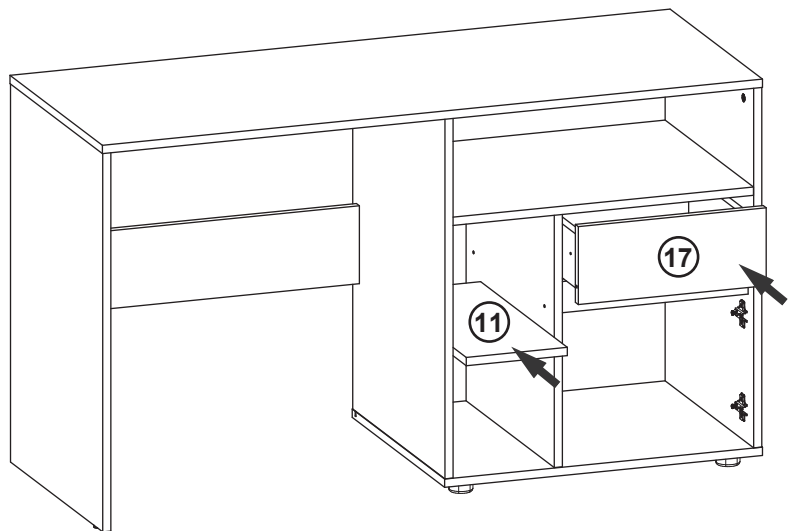
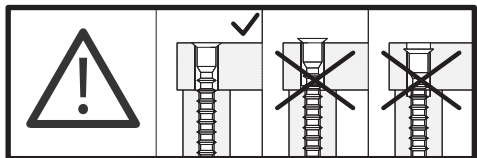
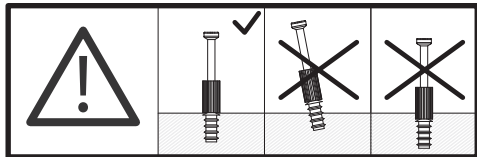
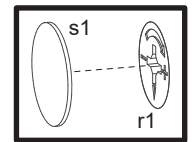
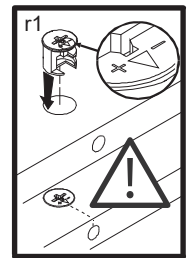
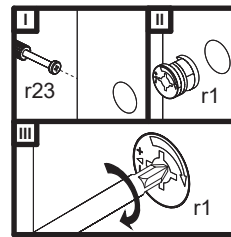
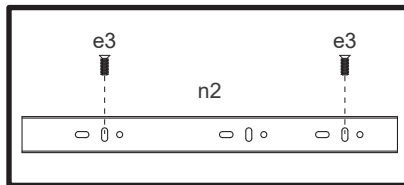
e3

p21

16

17

n2



11

p51 x 4



Ø 3,5x16mm

a2 x 2



Ø 35mm

