









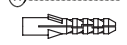





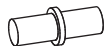


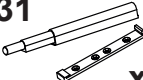




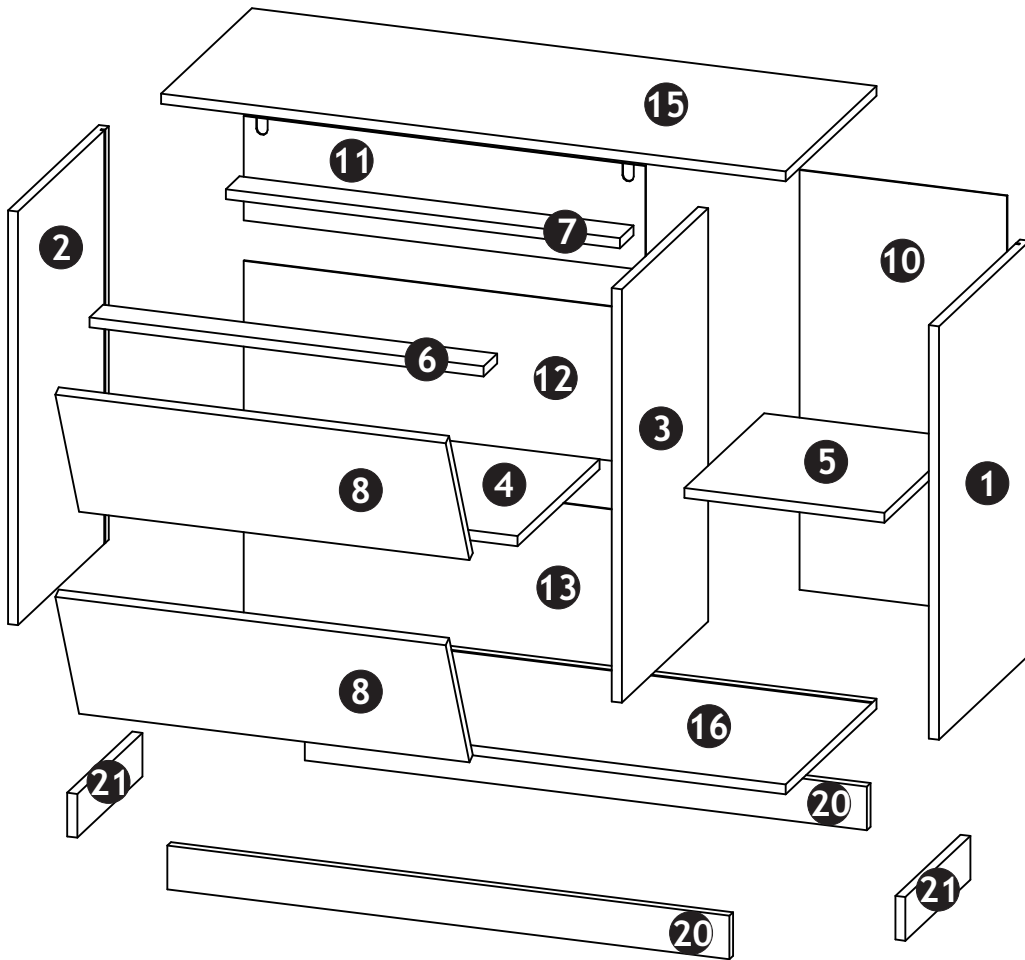
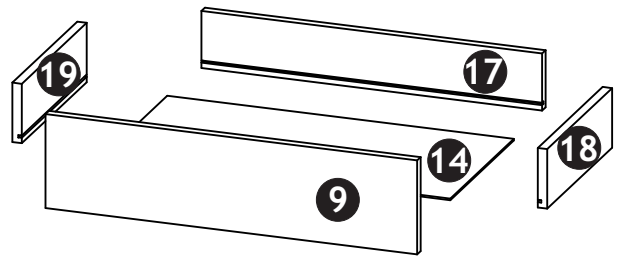


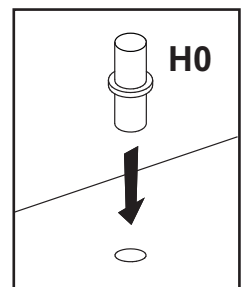
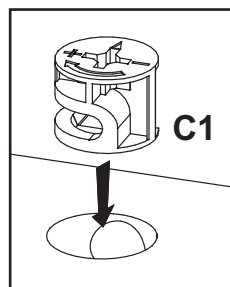
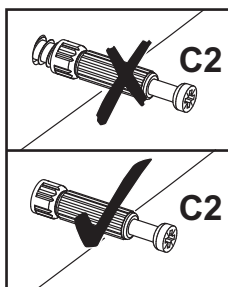
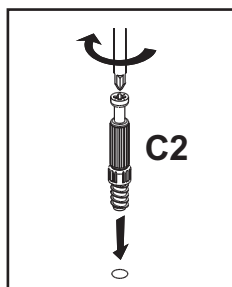
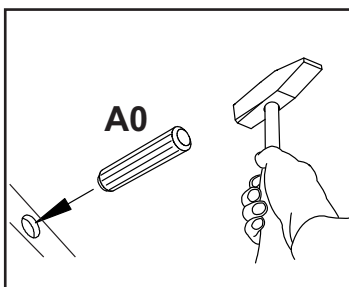
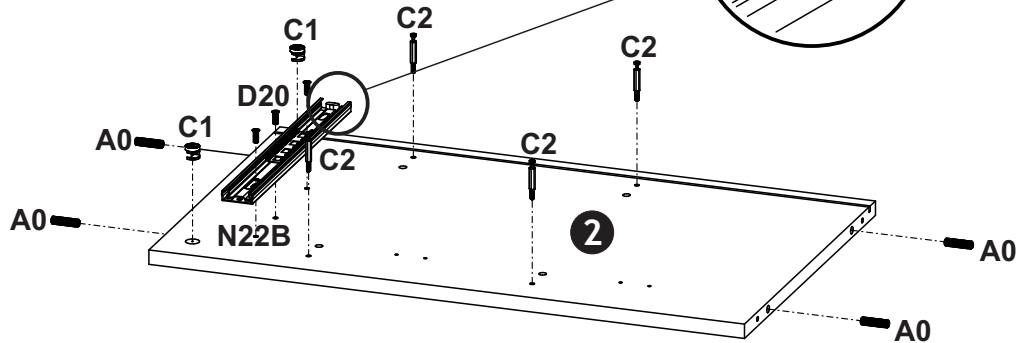
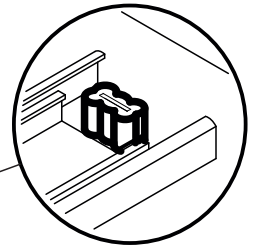
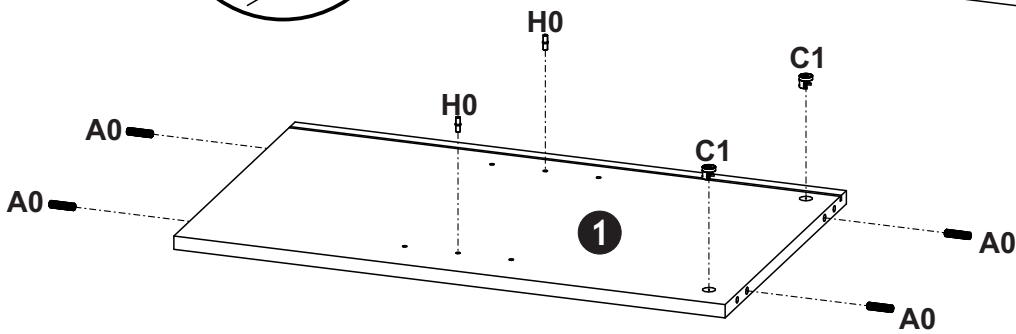
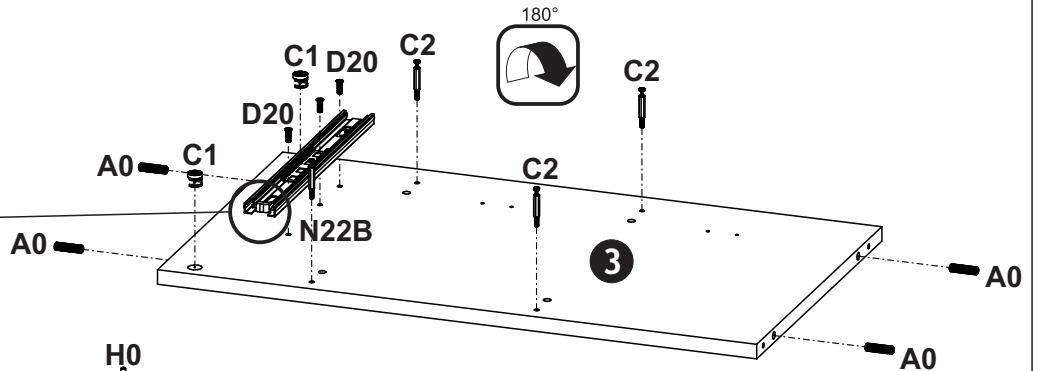
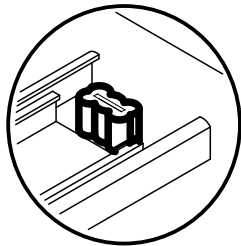
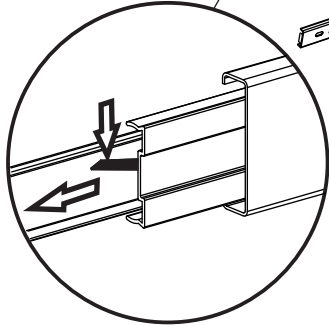
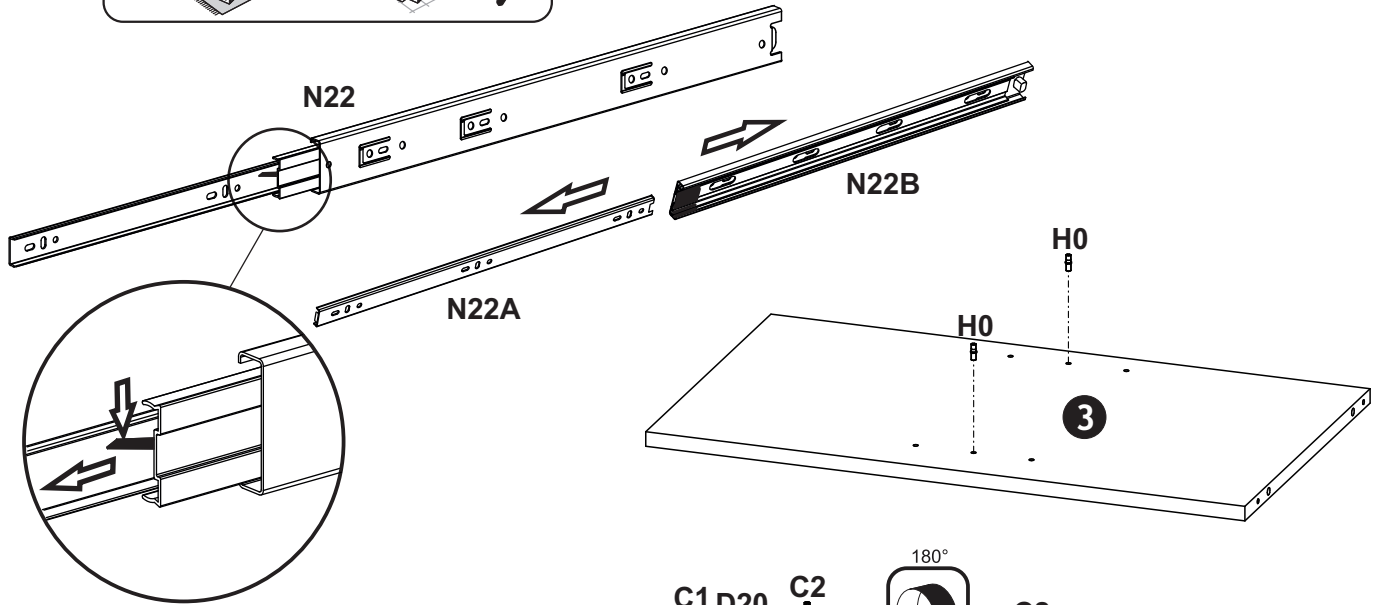
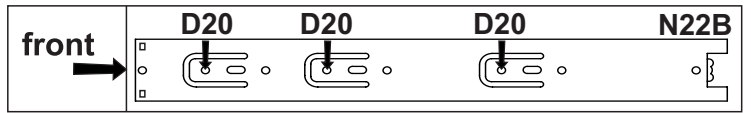
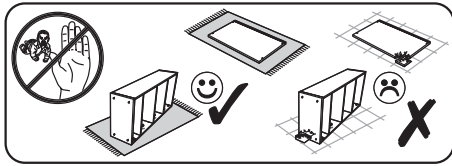
A0  8 x 30mm x34	B01  x8	B1  x8	C01  x24	C1  16mm x24	C2  x24
D0  3 x 15 mm x40	D10  4 x 16 mm x18	D17  3.5 x 16 mm x13	D20  5 x 13 mm x10	E4  5 x 50 mm 8 x 50 mm x2	F0  x20
F10  x9	G1B  x4	G2A  x2	G3A  x2	H0  x4	I1  x2
I4  L-283 x1	J31  x3	N22  L-300 x1	T7  x8	U16  x4	Z  4mm x1

1	662x400	1
2	662x400	1
3	662x380	1
4	631x360	1
5	320x350	1
6	631x60	1
7	631x60	1
8	246x625	2
9	158x625	1
10	332x672	1
11	167x643	1

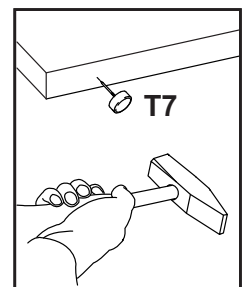
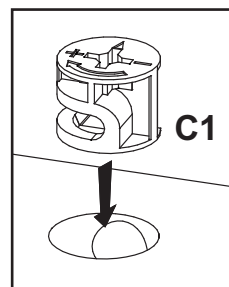
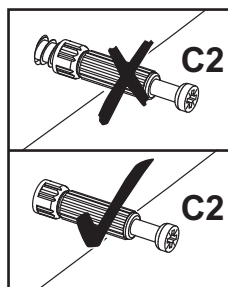
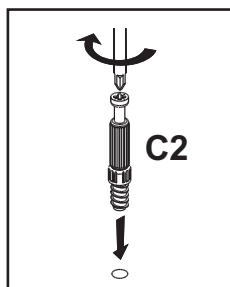
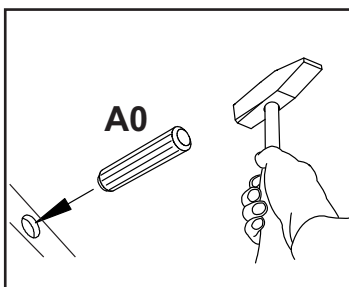
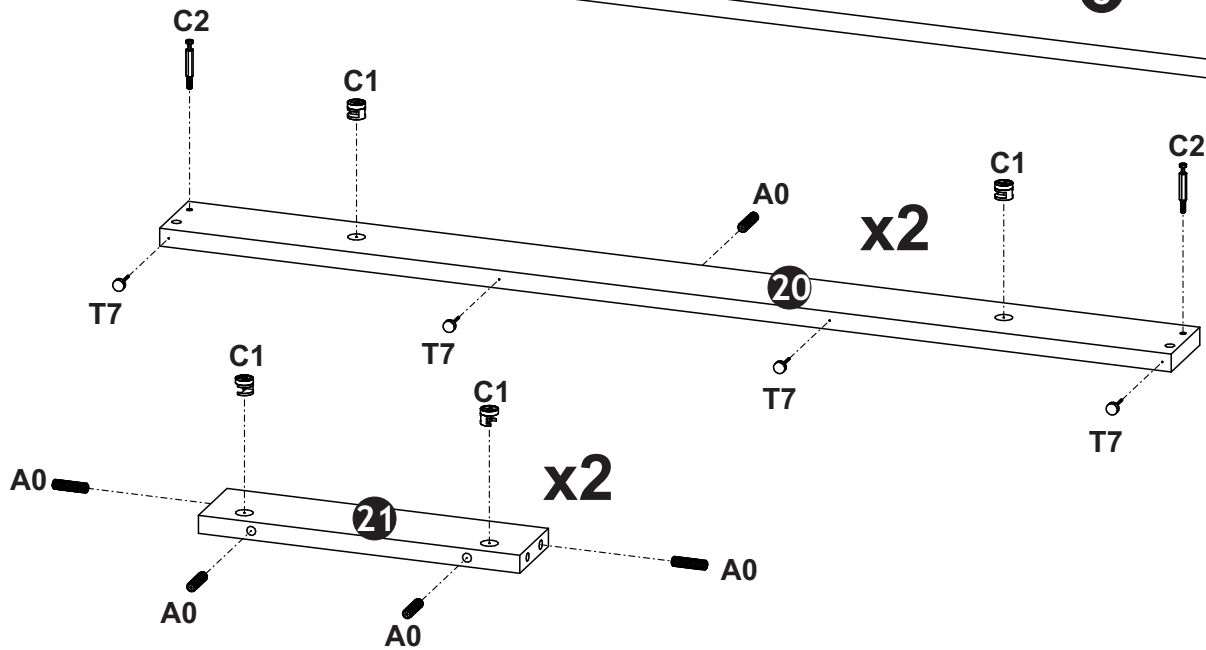
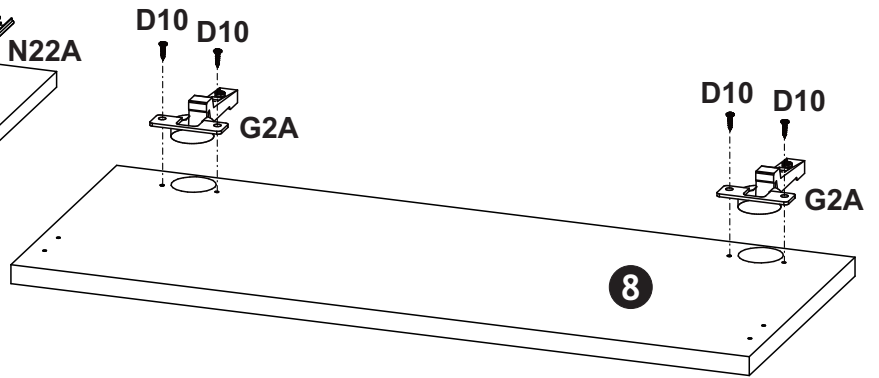
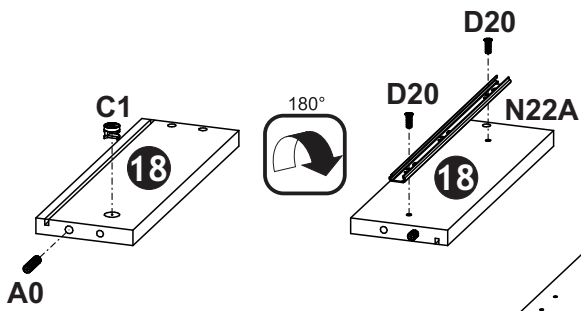
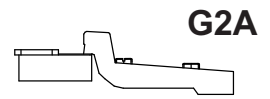
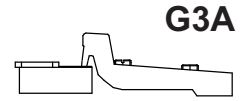
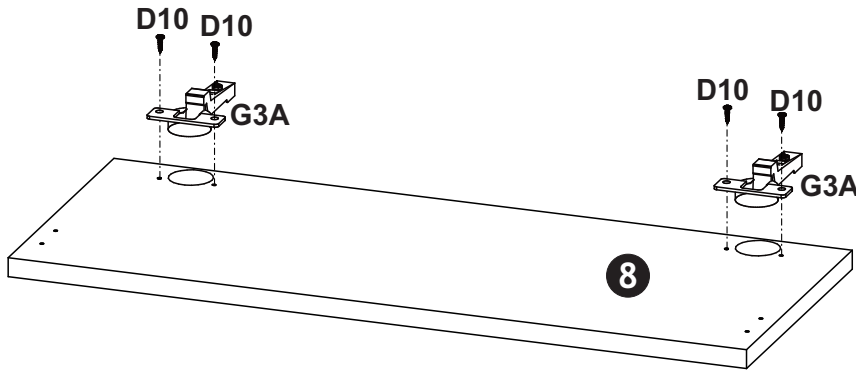
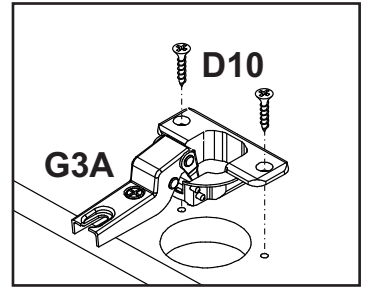
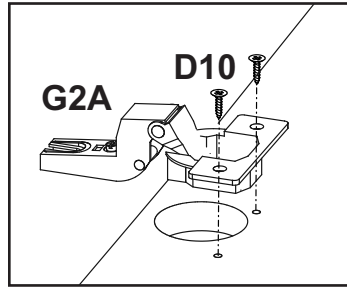
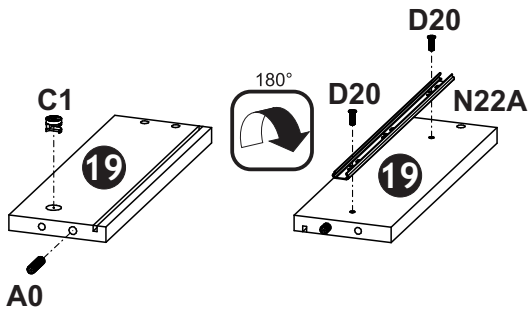
12	247x643	1
13	254x643	1
14	582x294	1
15	1000x400.5	1
16	1000x400.5	1
17	573x96	1
18	300x100	1
19	300x100	1
20	900x70	2
21	286x70	2



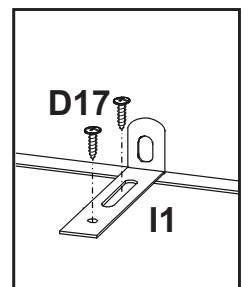
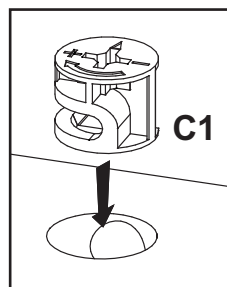
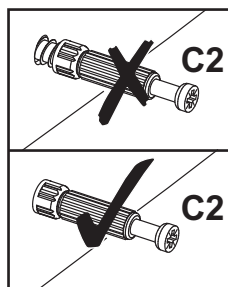
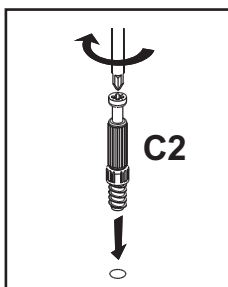
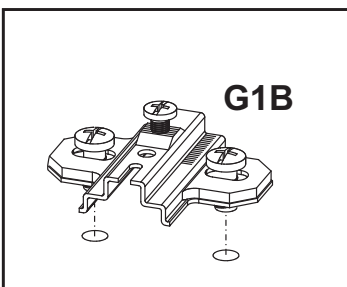
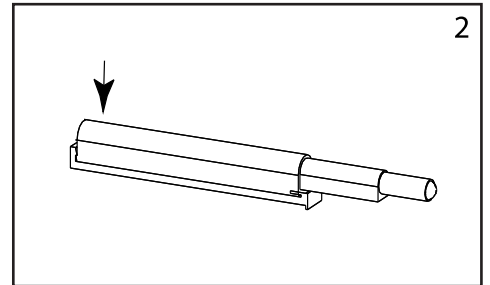
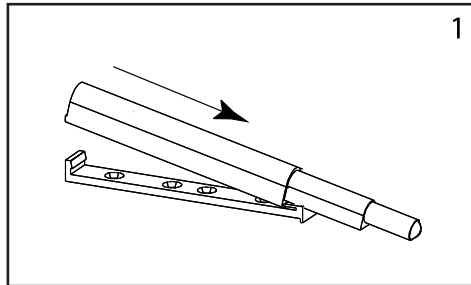
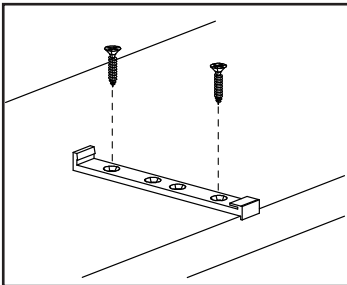
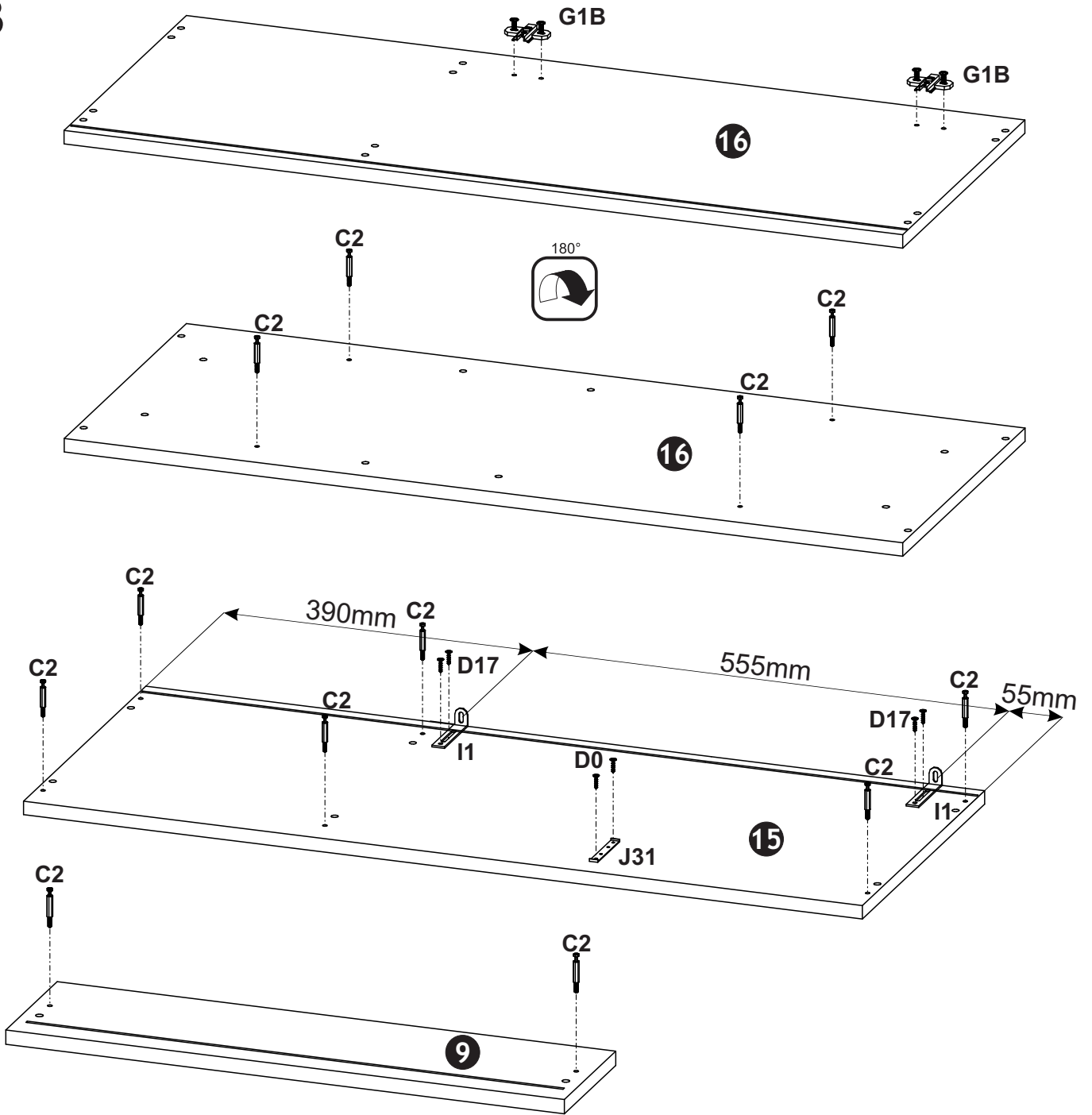
1



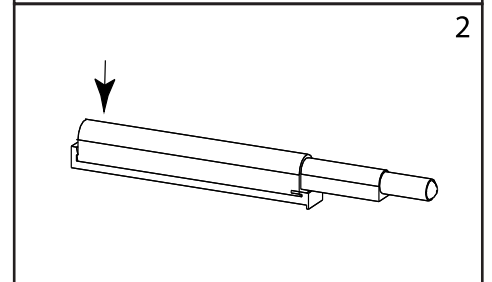
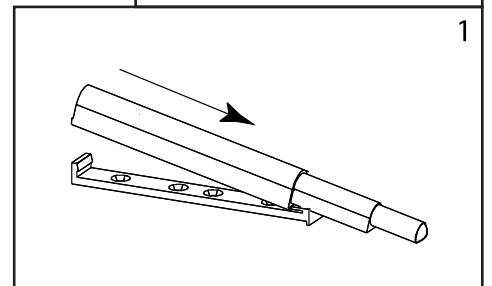
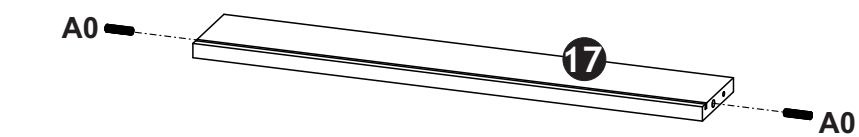
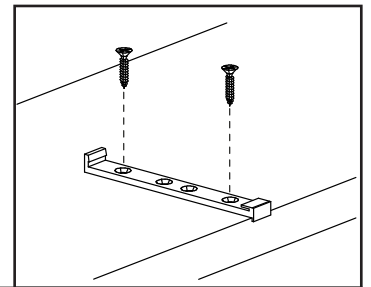
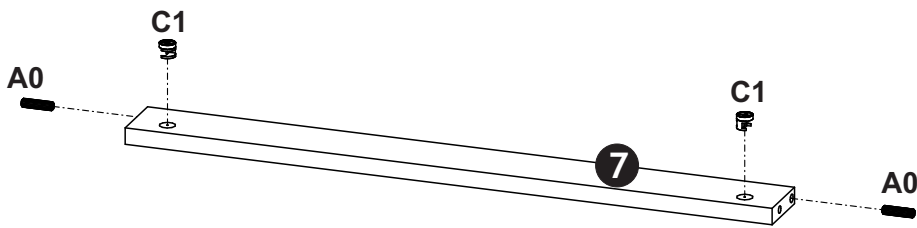
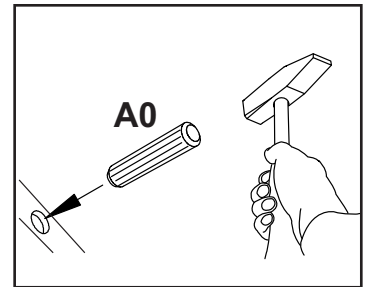
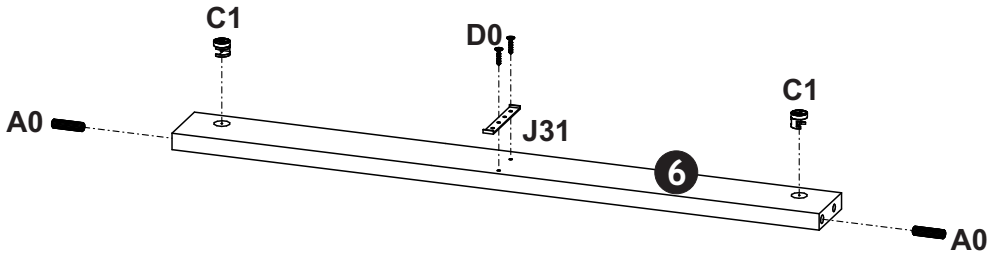
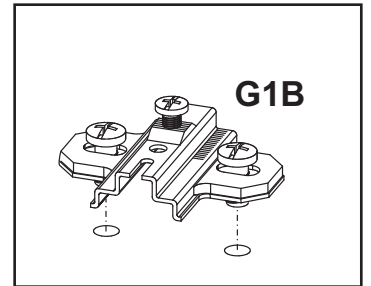
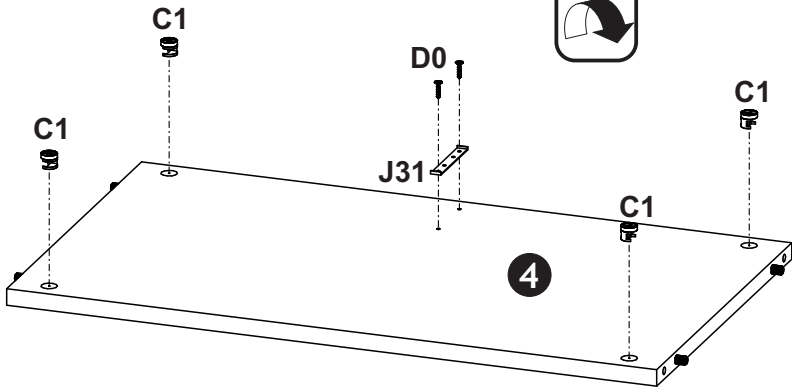
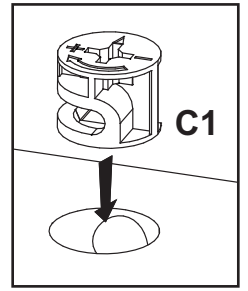
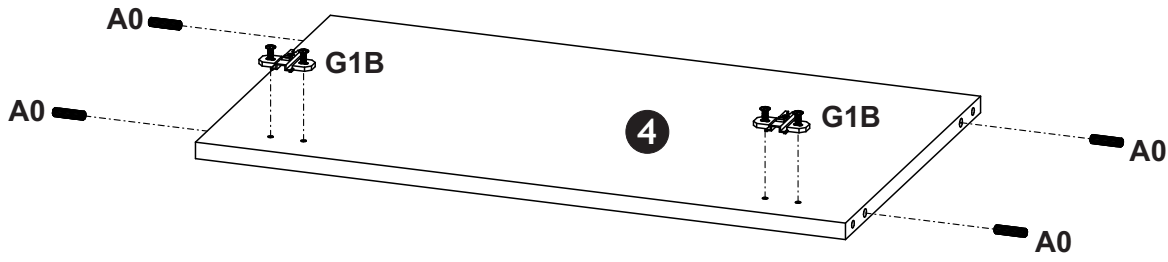
2



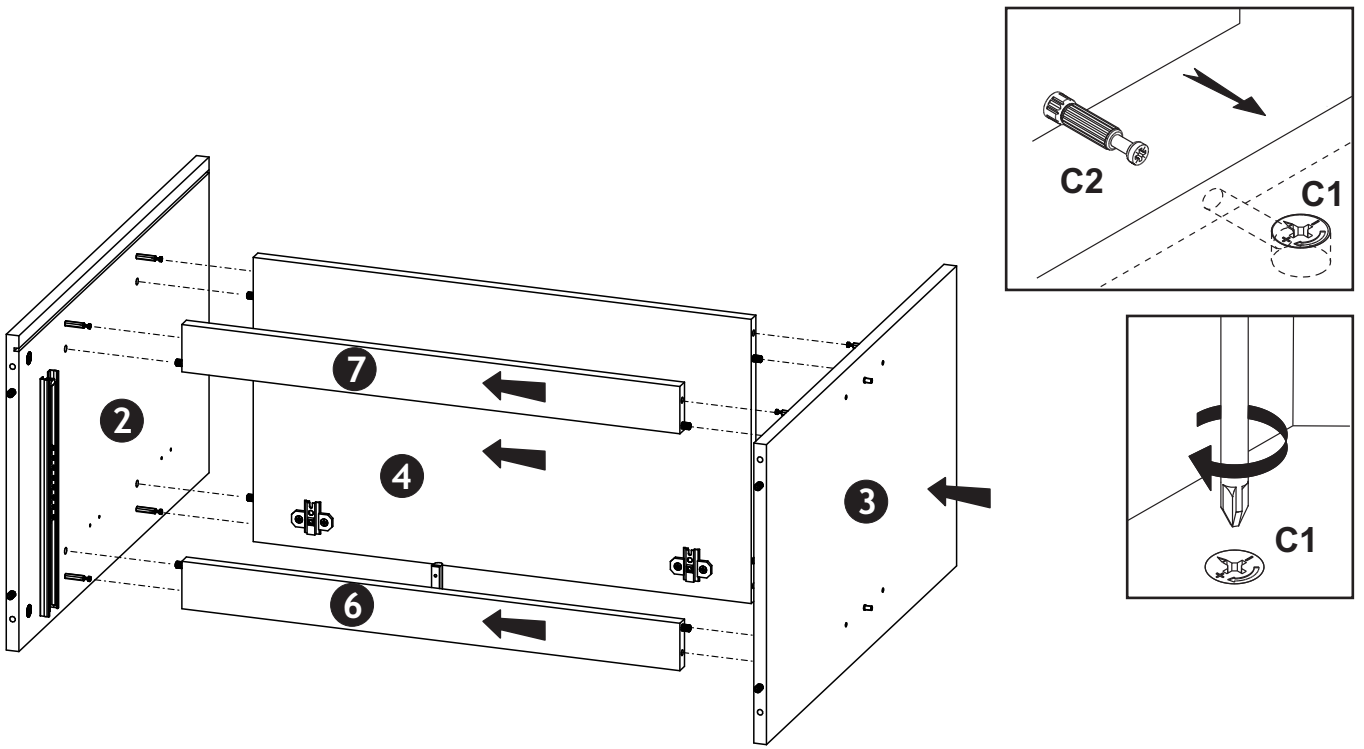
3



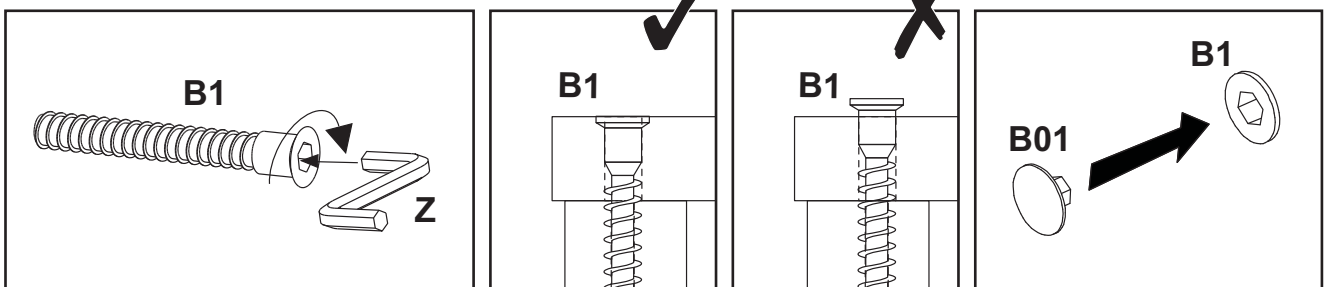
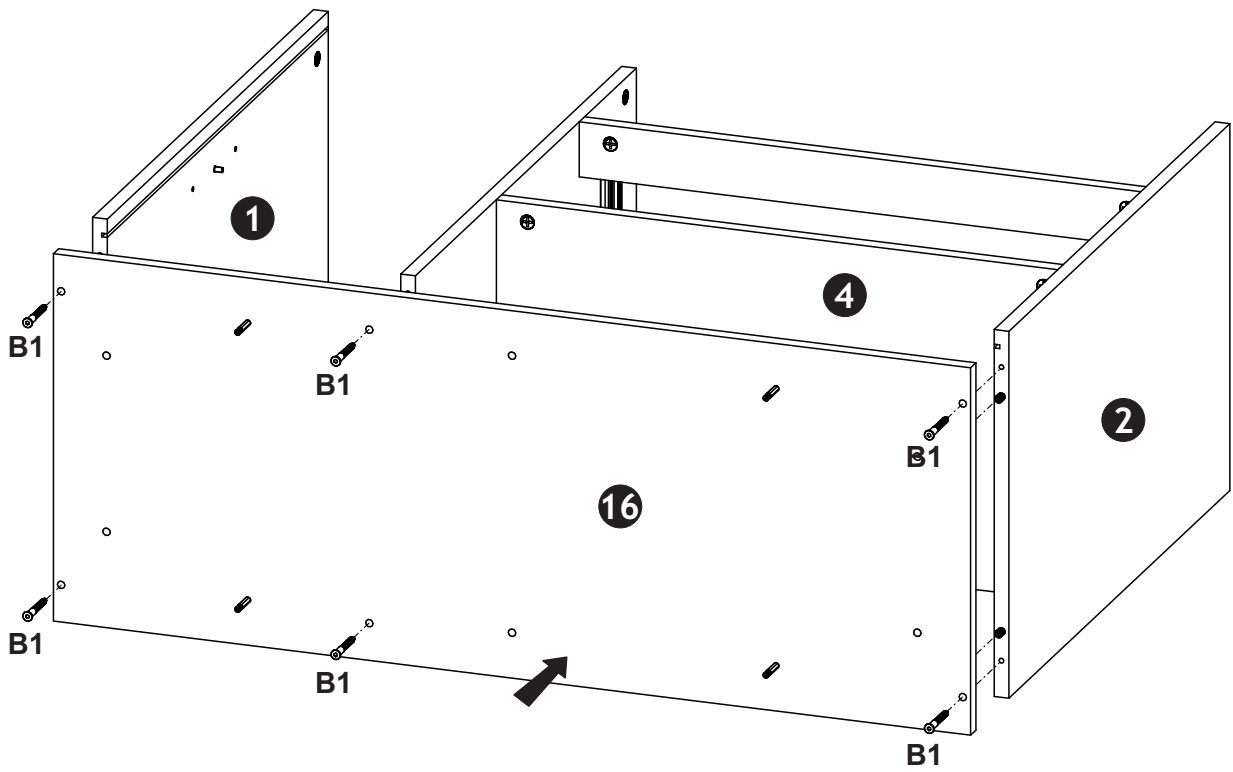
4



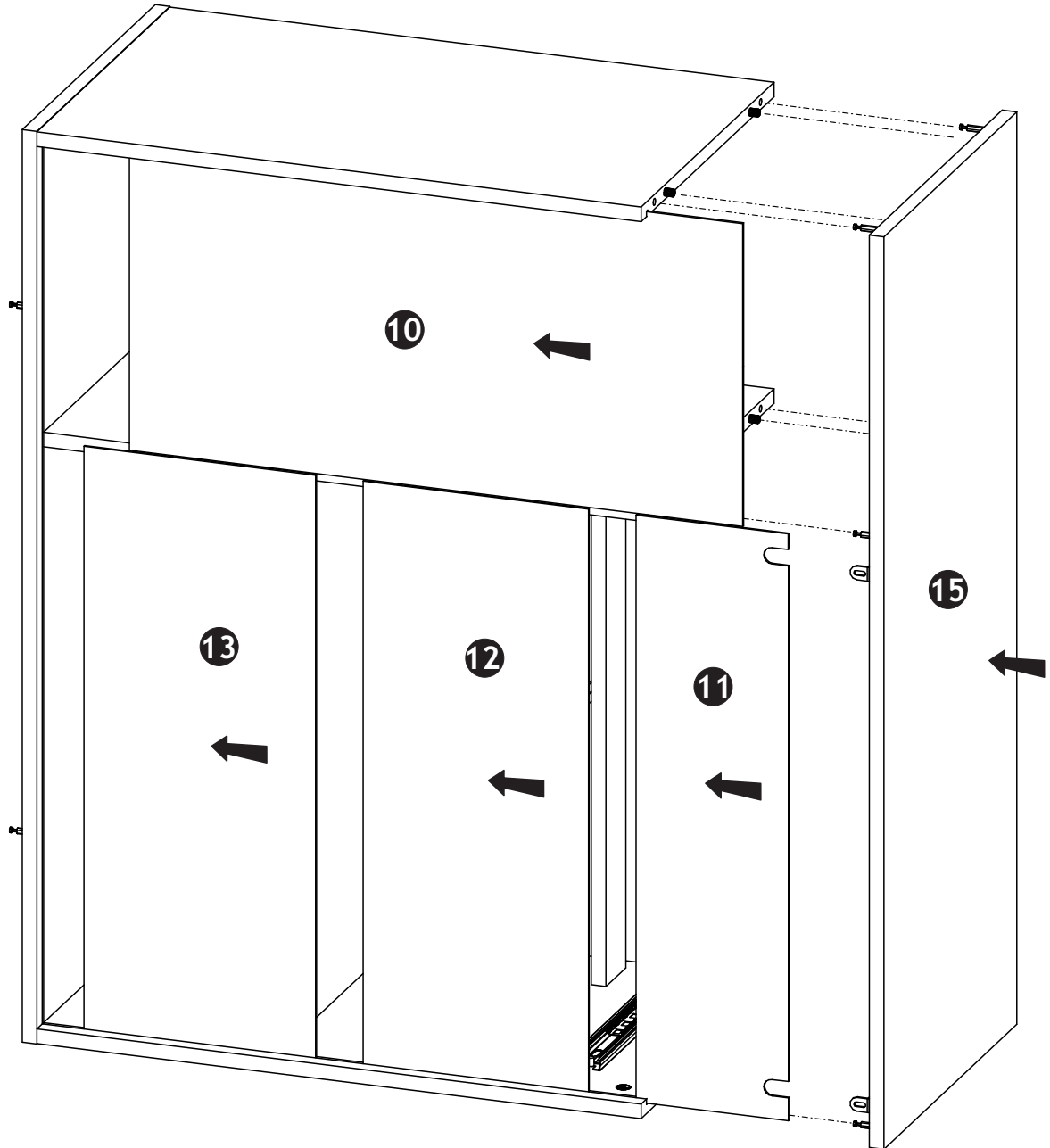
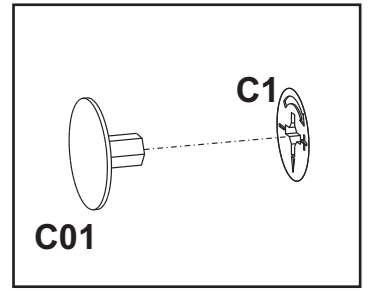
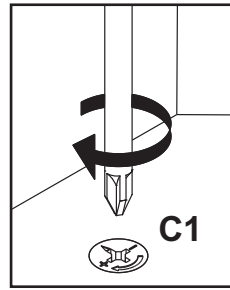
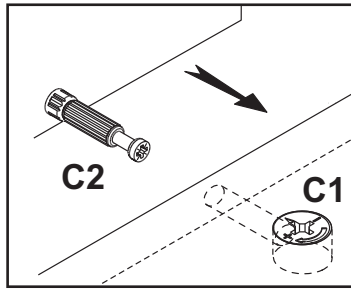
5



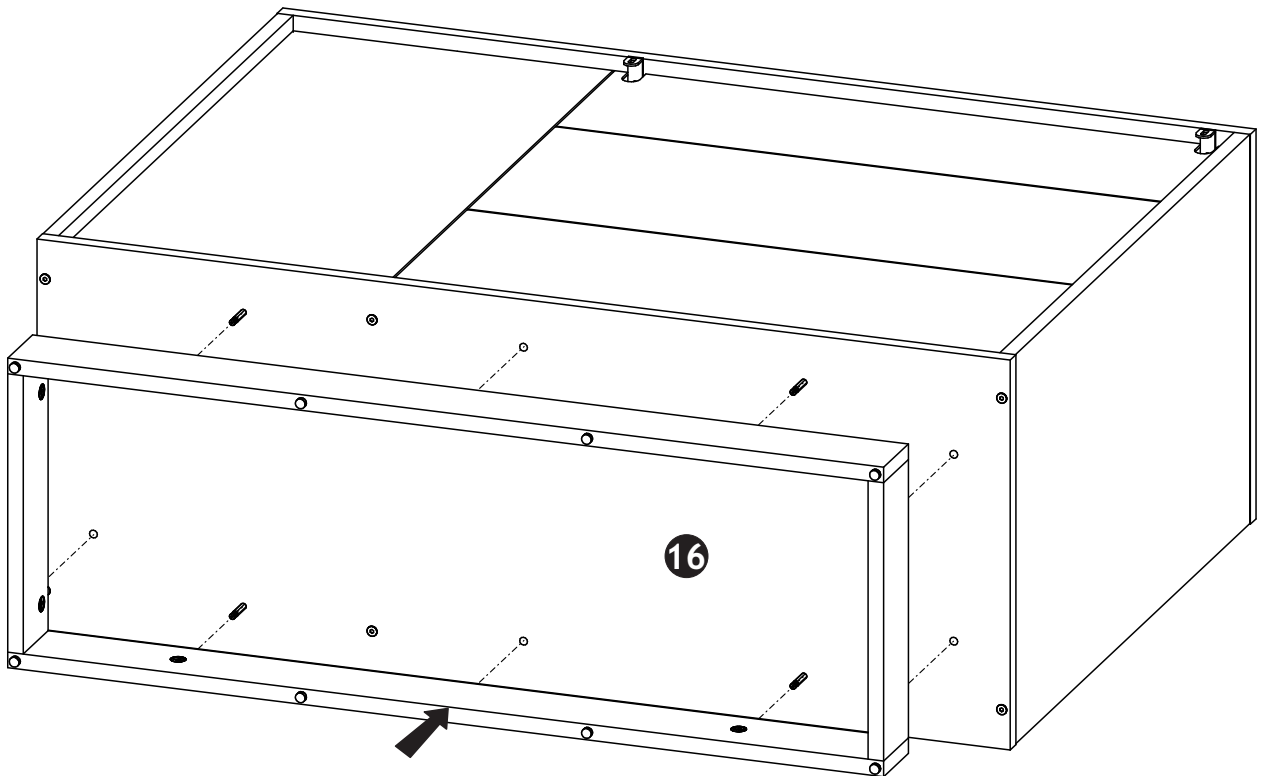
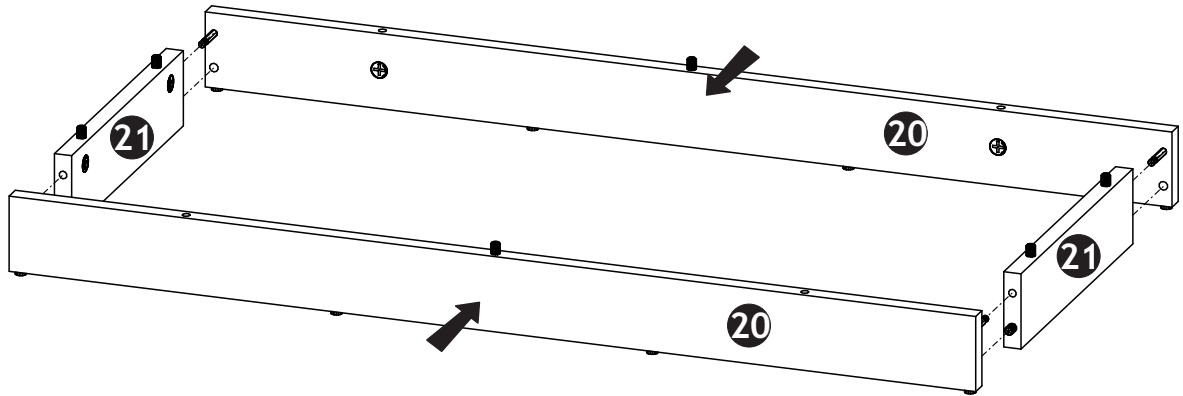
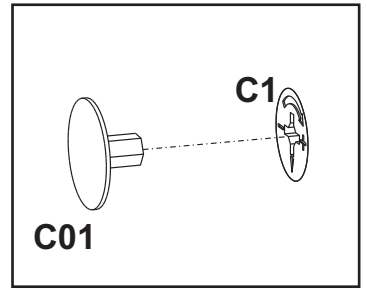
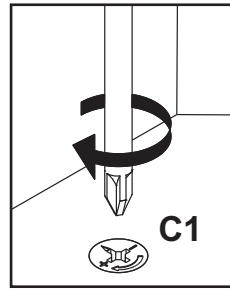
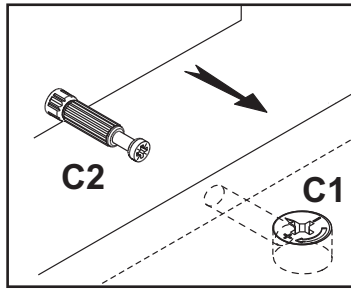
6



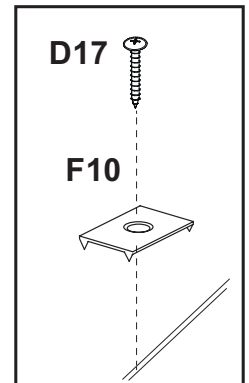
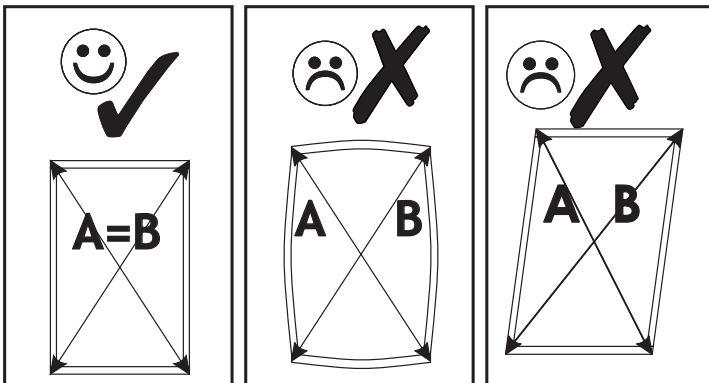
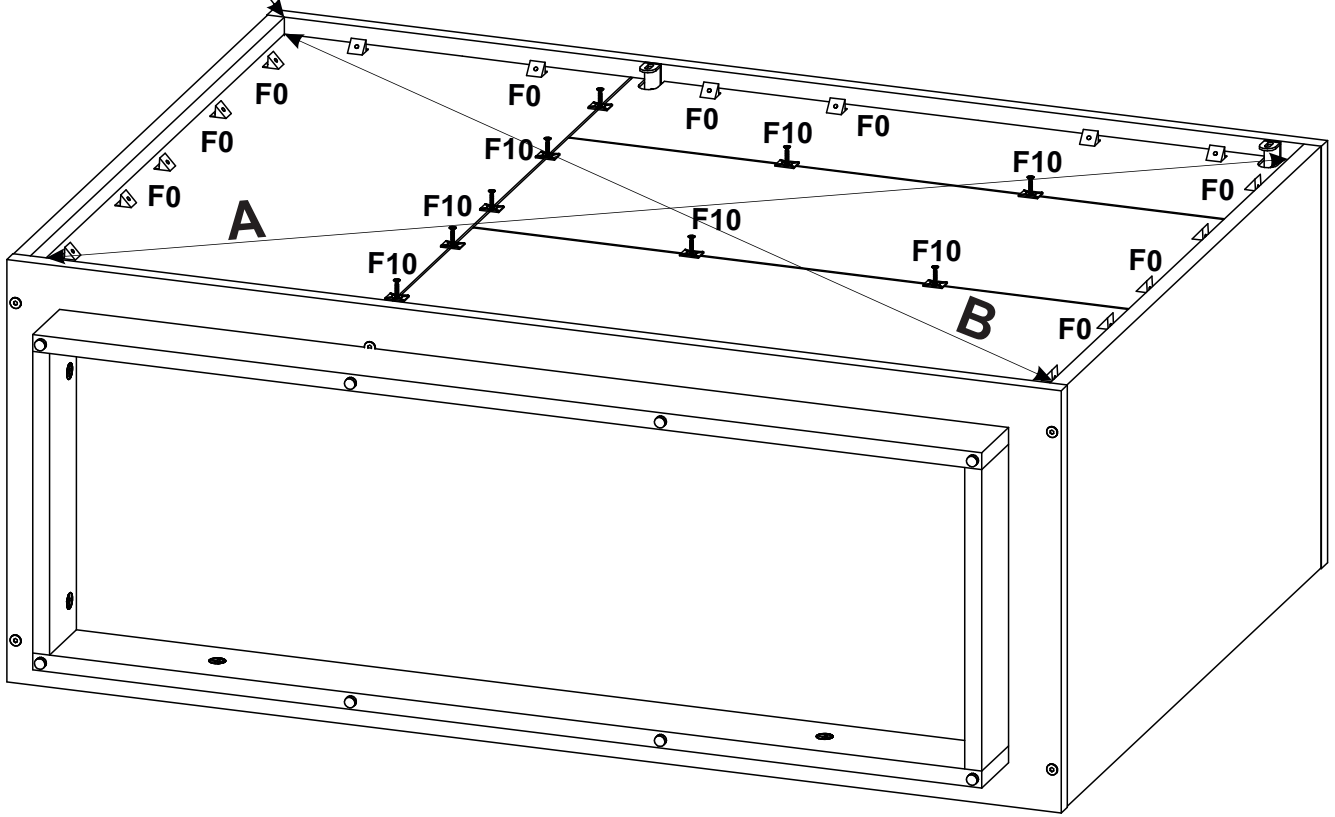
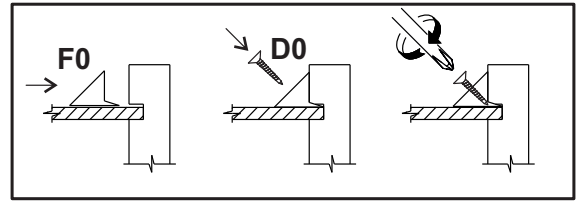
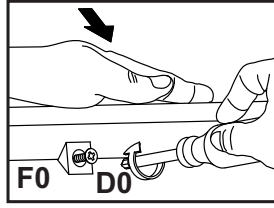
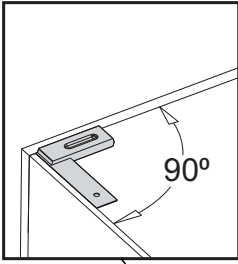
7

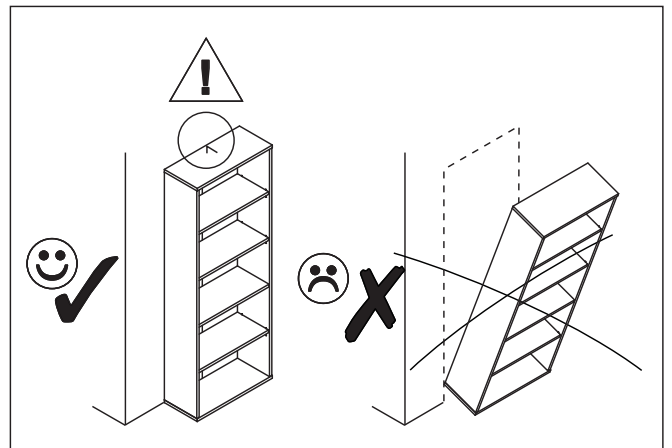
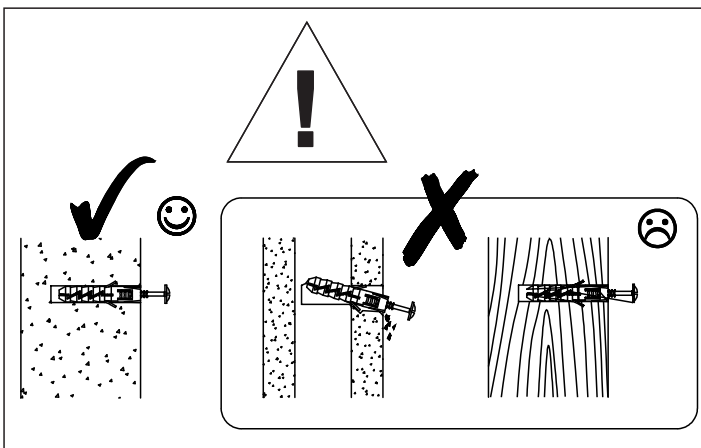
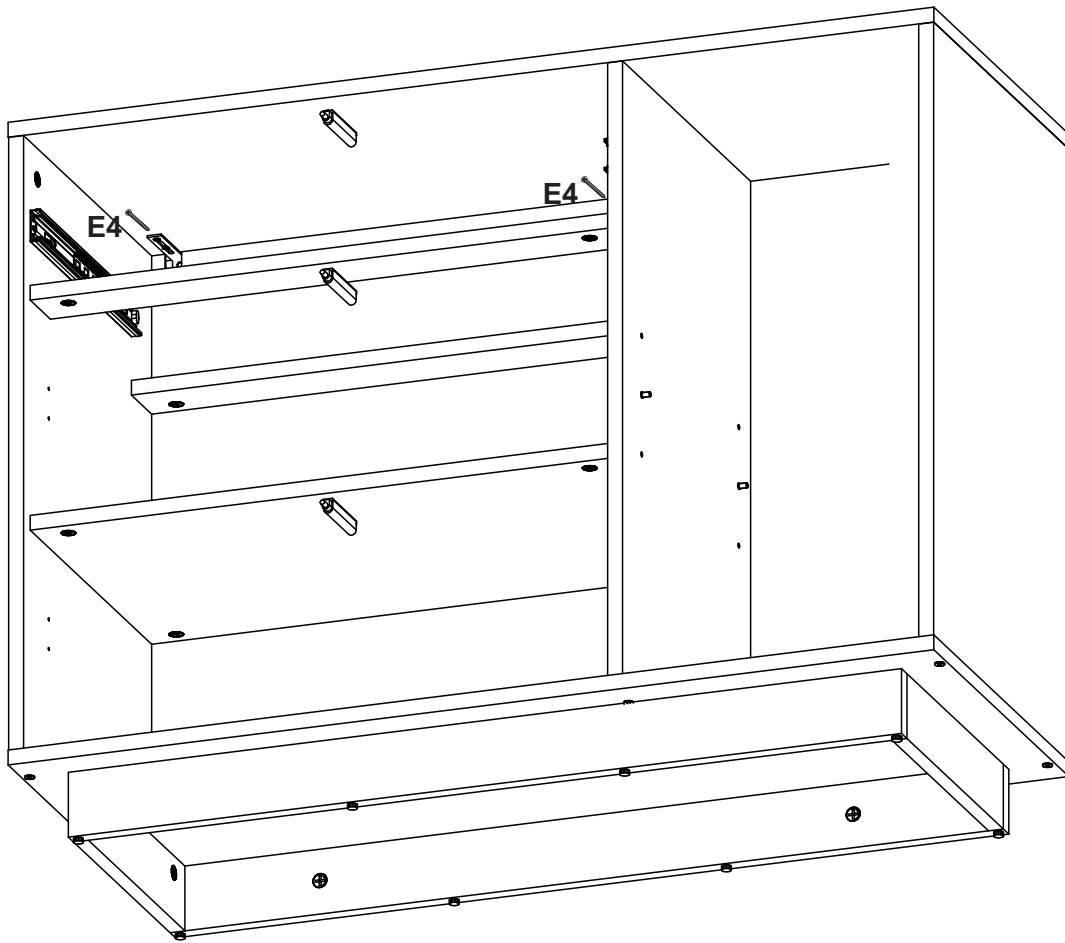
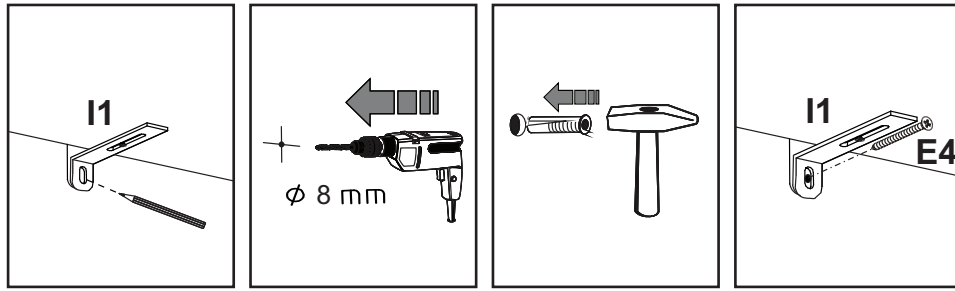


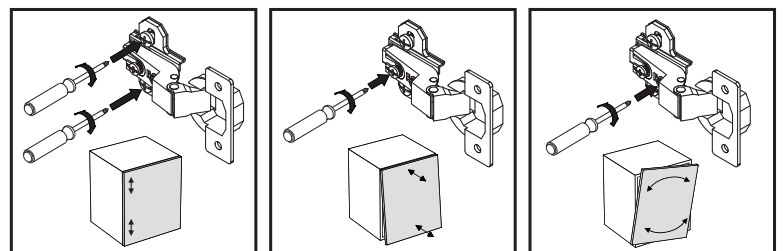
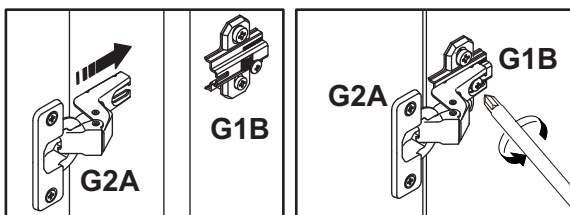
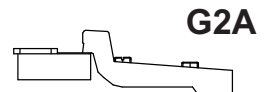
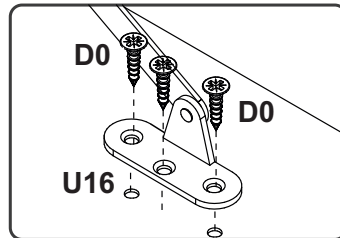
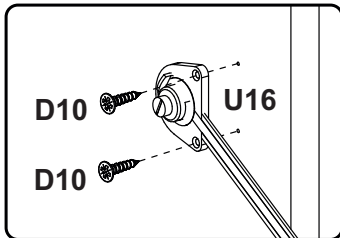
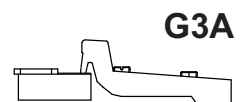
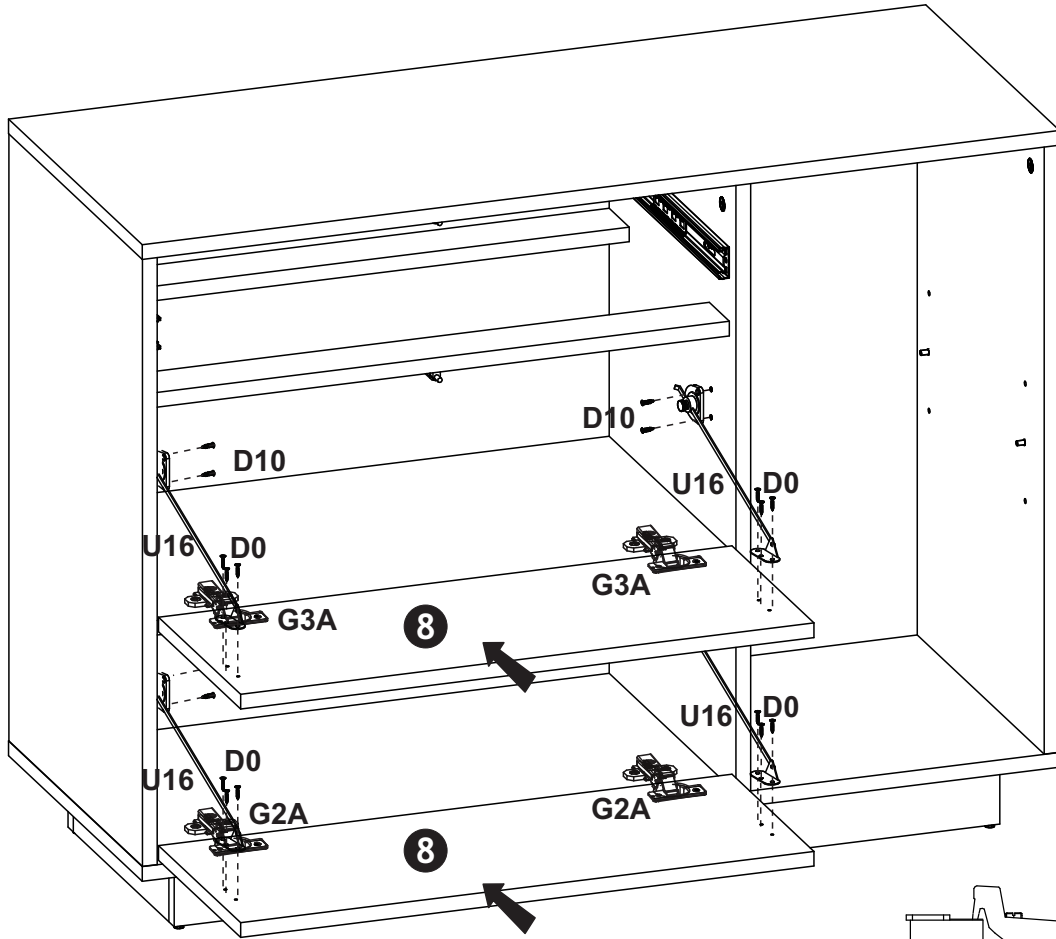
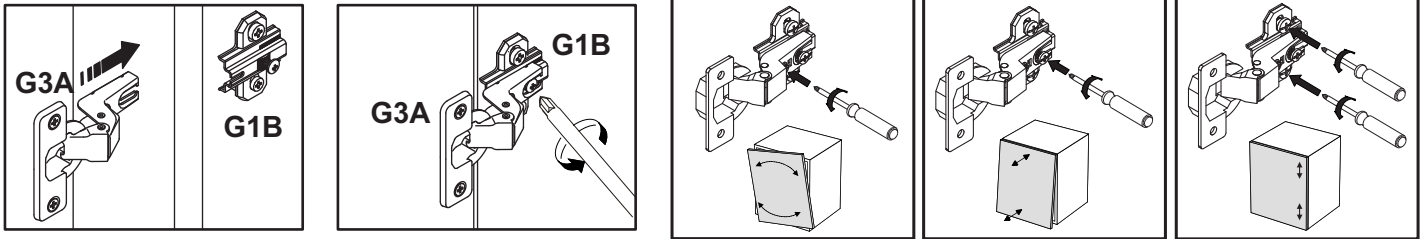
8



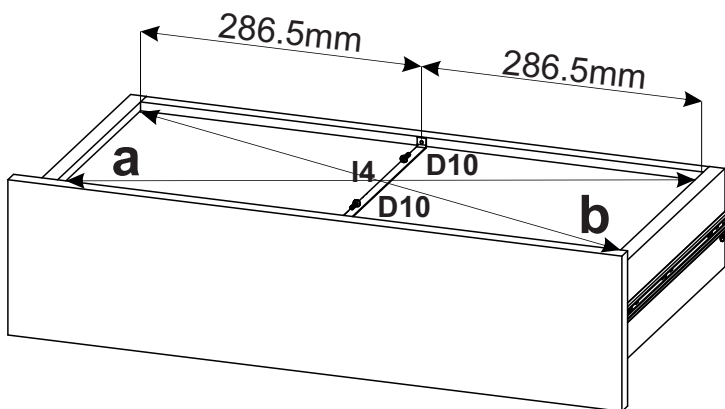
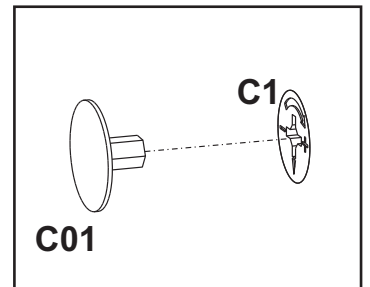
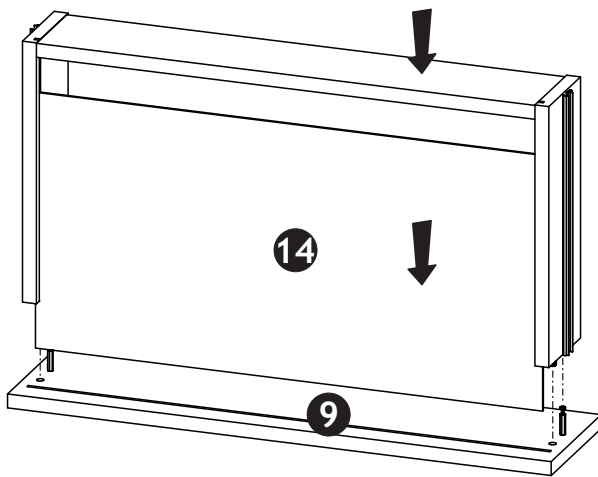
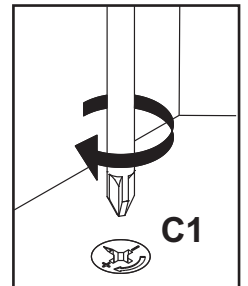
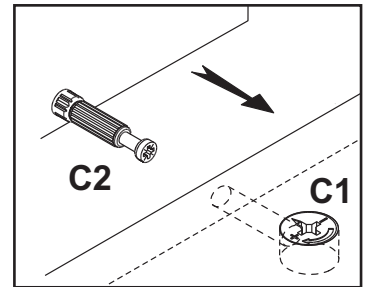
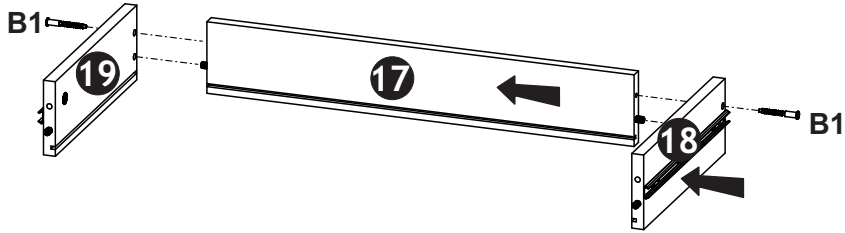
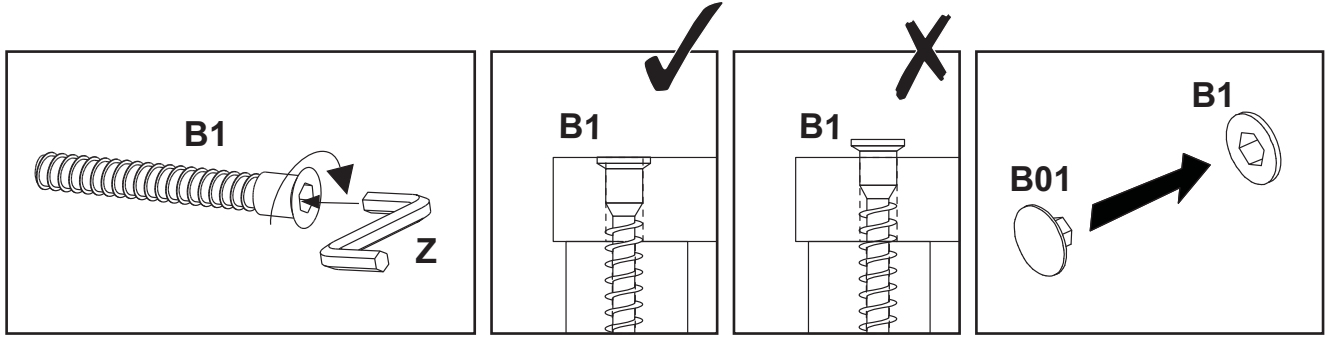
9



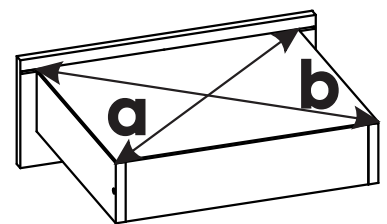




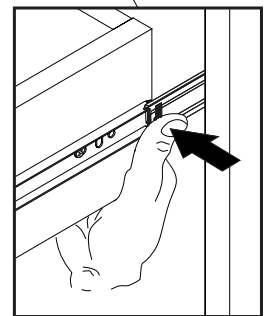
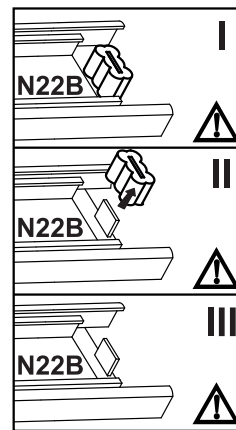
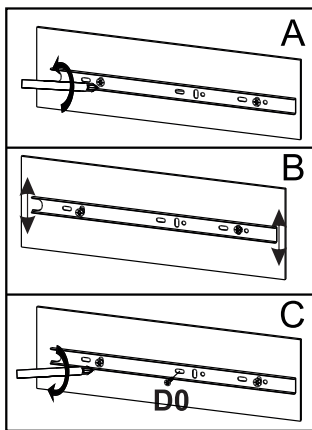
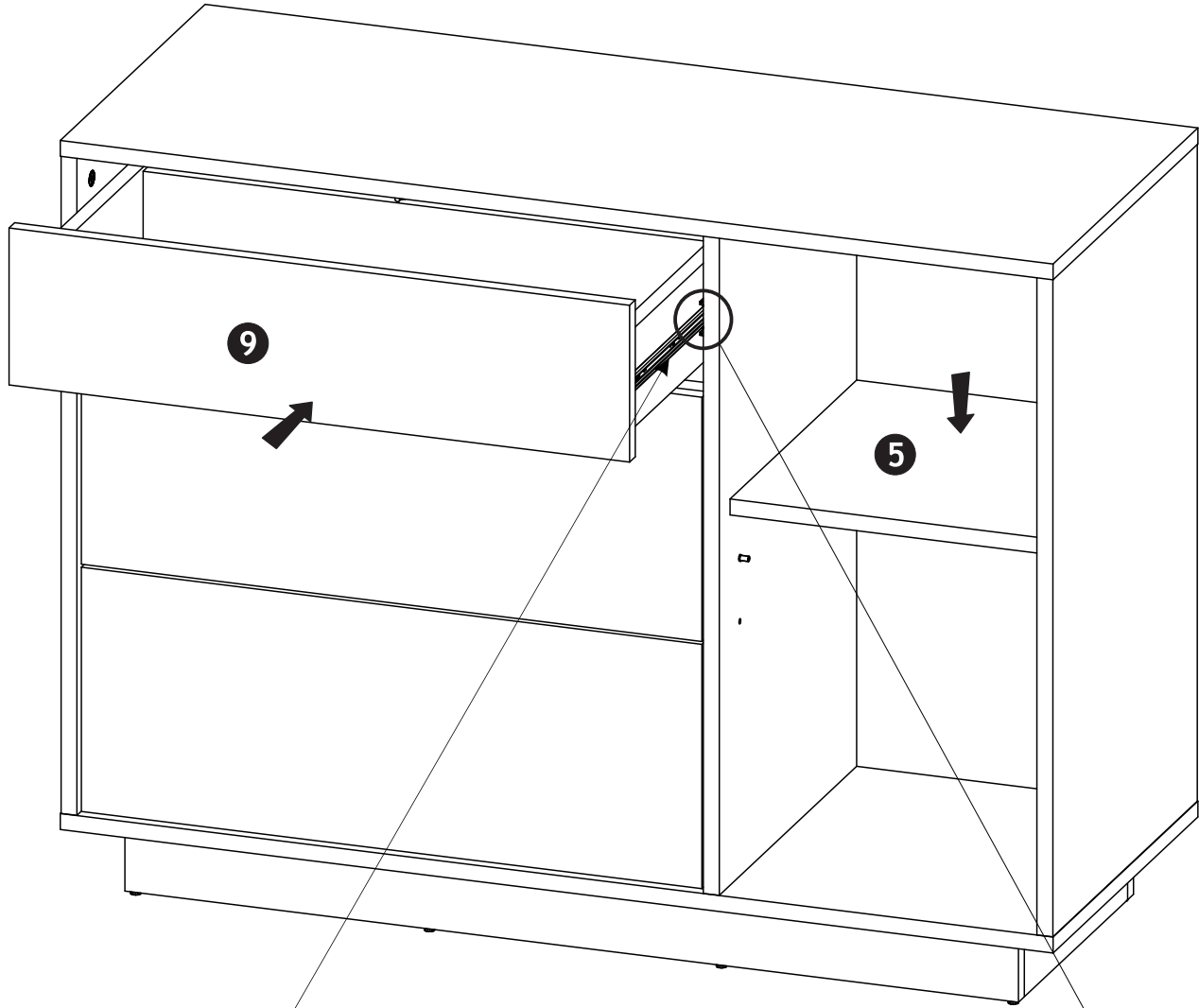
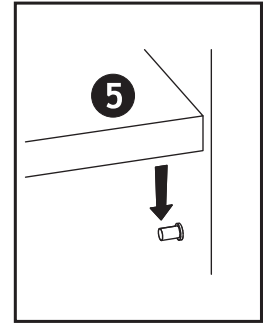
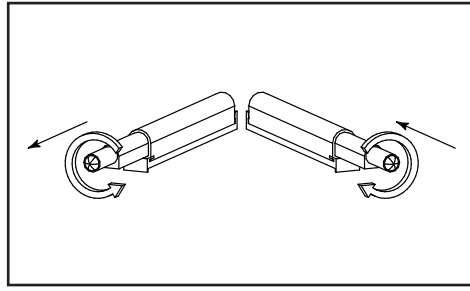
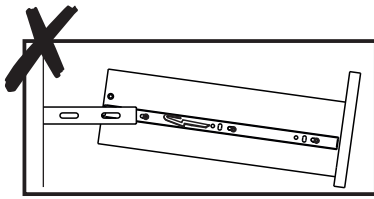
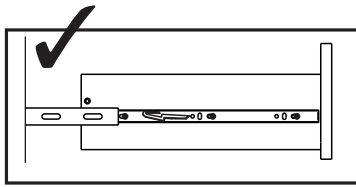
12



$a=b$



13





max.
5 kg

