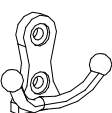
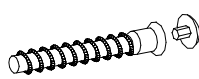

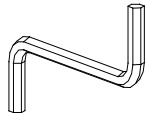
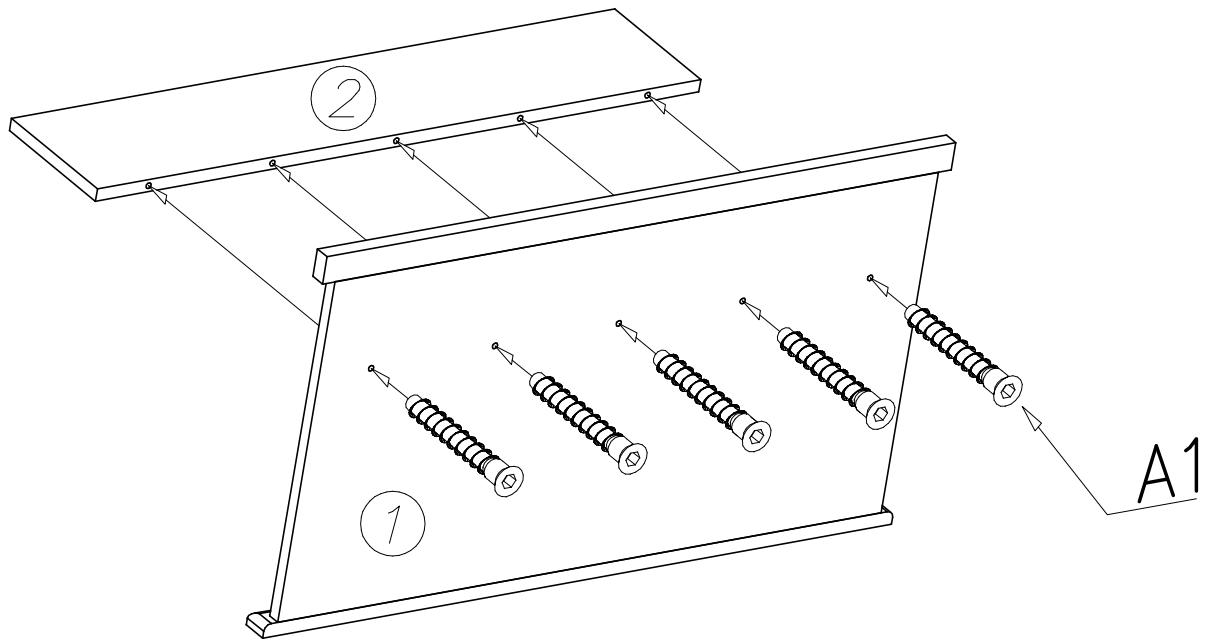


<p>Q3</p>  <p>x4</p>	<p>A1</p>  <p>ø7x50</p> <p>x5</p>	<p>G4</p>  <p>x8</p>	<p>W2</p>  <p>x1</p>
---	--	---	---

1.



2.

