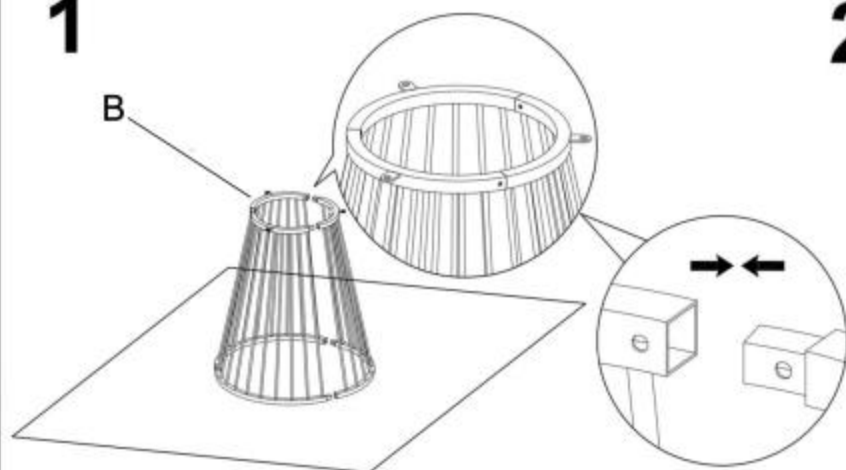
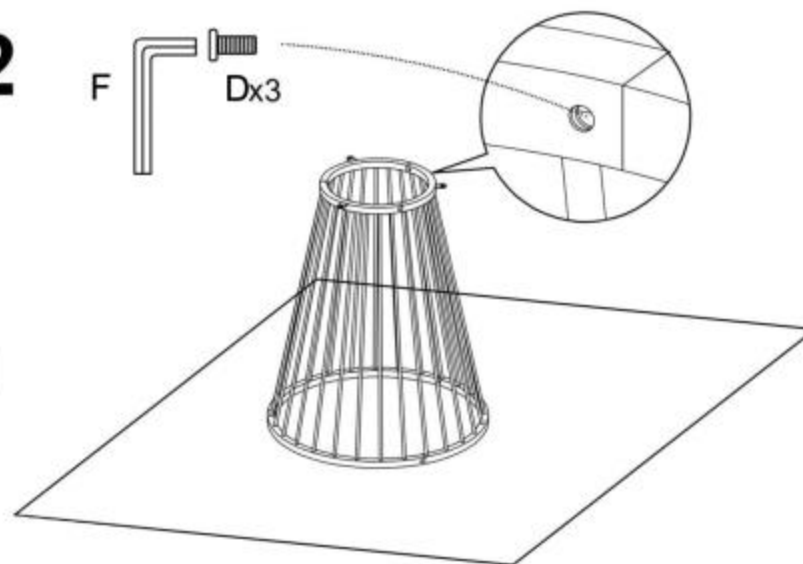
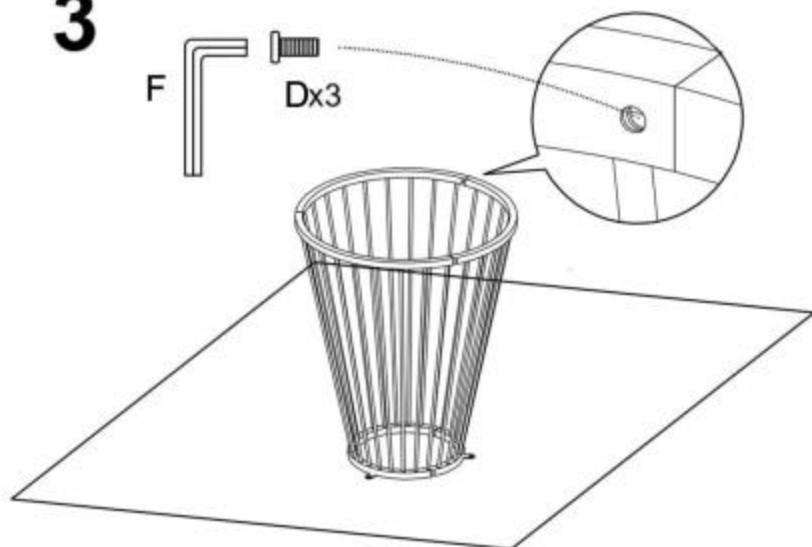
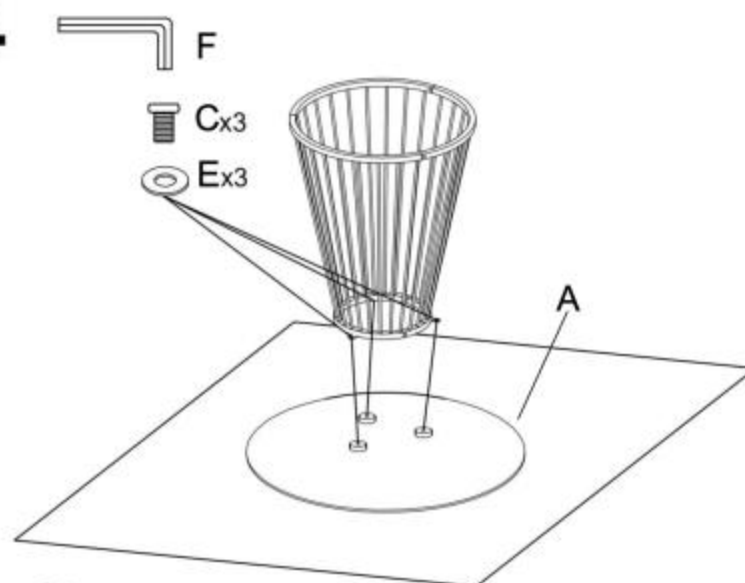


1**2****3****4**

A		x1
B		x3
C		x3
D		x6
E		x3
F		x1



max. 30 kg



v.2