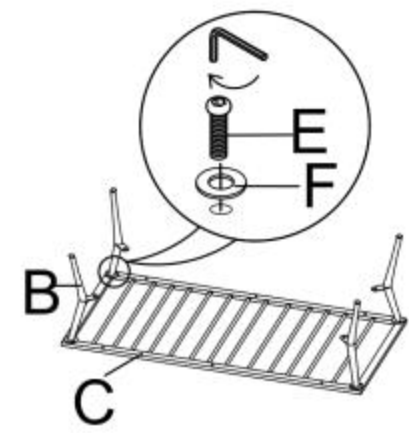
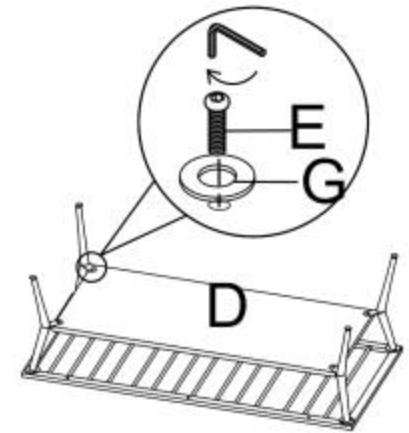


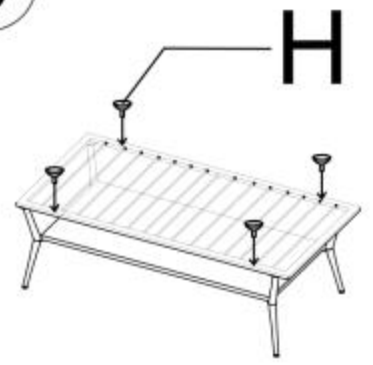
1



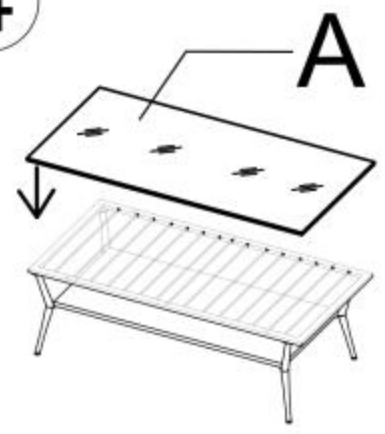
2



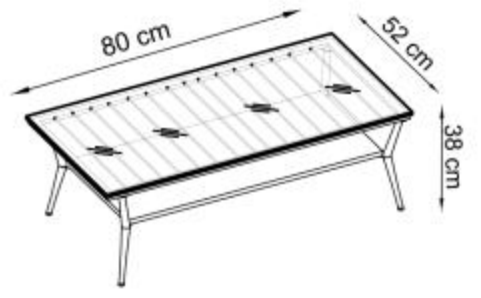
3



4



MAX.30kg



|   |            |    |
|---|------------|----|
| A |            | 1  |
| B |            | 4  |
| C |            | 1  |
| D |            | 1  |
| E | <br>M6x16  | 12 |
| F | <br>Ø6xØ12 | 8  |
| G | <br>Ø8xØ16 | 4  |
| H |            | 4  |