








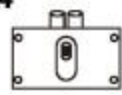



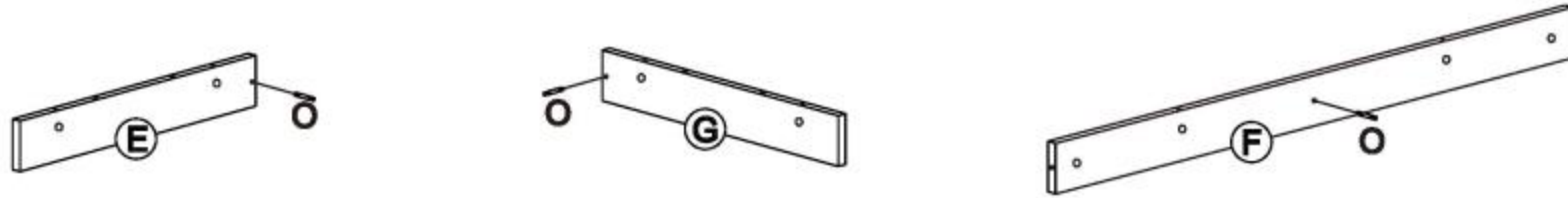
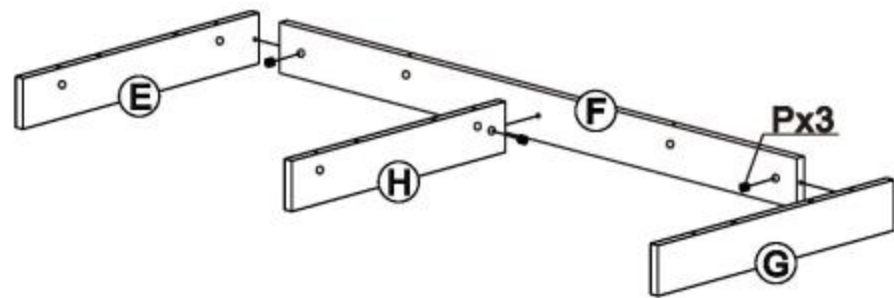


Ox11  Ox11	Px11  Px11	Qx12  Qx12	Rx8  Rx8	Sx6  6x55mm Sx6	Tx4  6x28mm Tx4	Ux4  Ux4
Vx6  4x30mm Vx6	Wx8  4x12mm Wx8	Xx4  Xx4	Yx4  Yx4	Zx24  4x14mm Zx24	x1  x1	

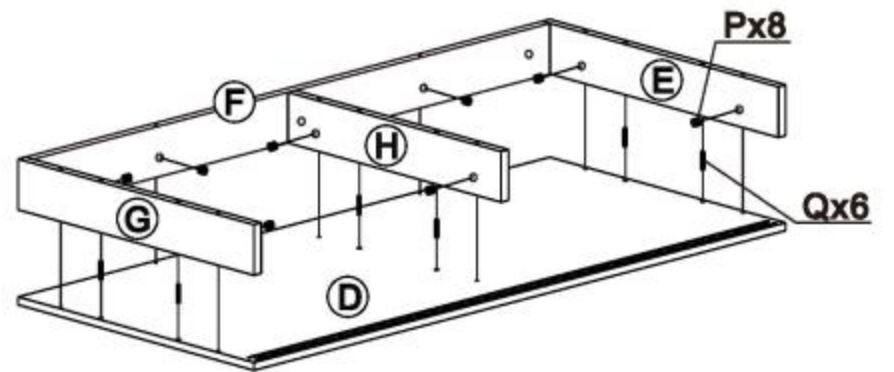
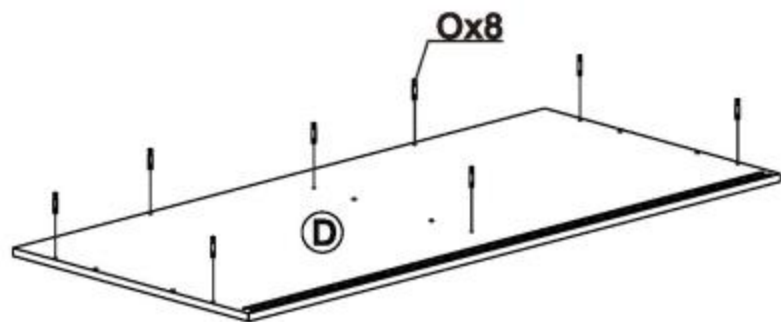
1



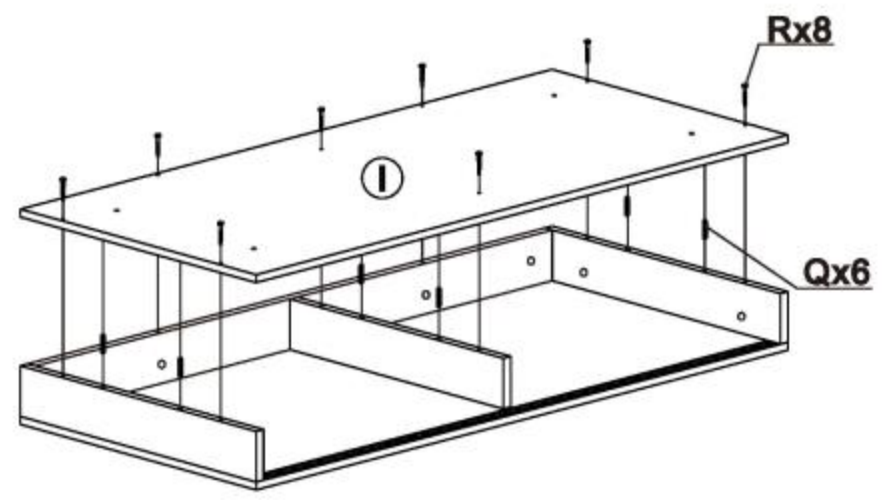
2



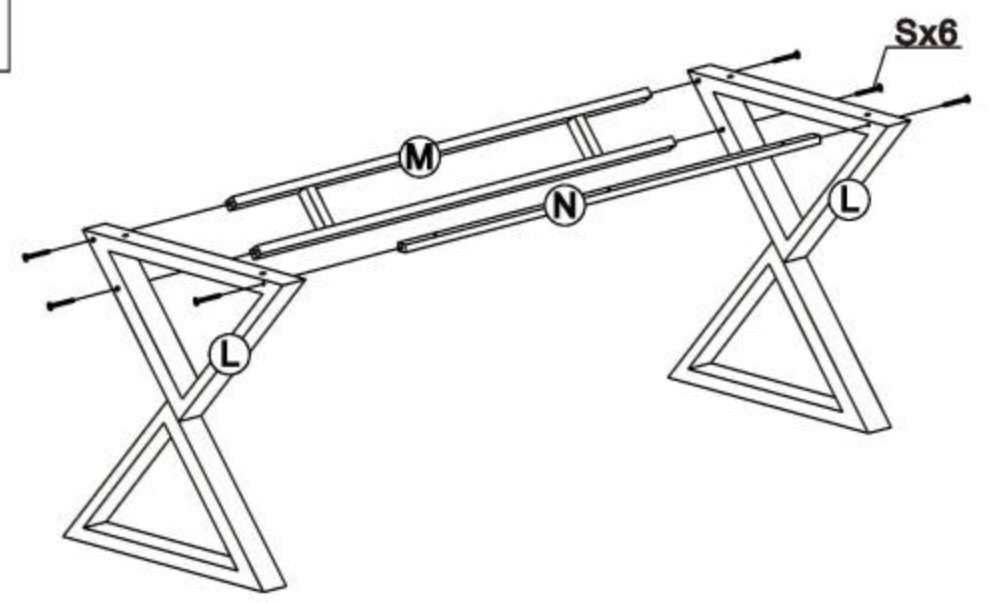
3



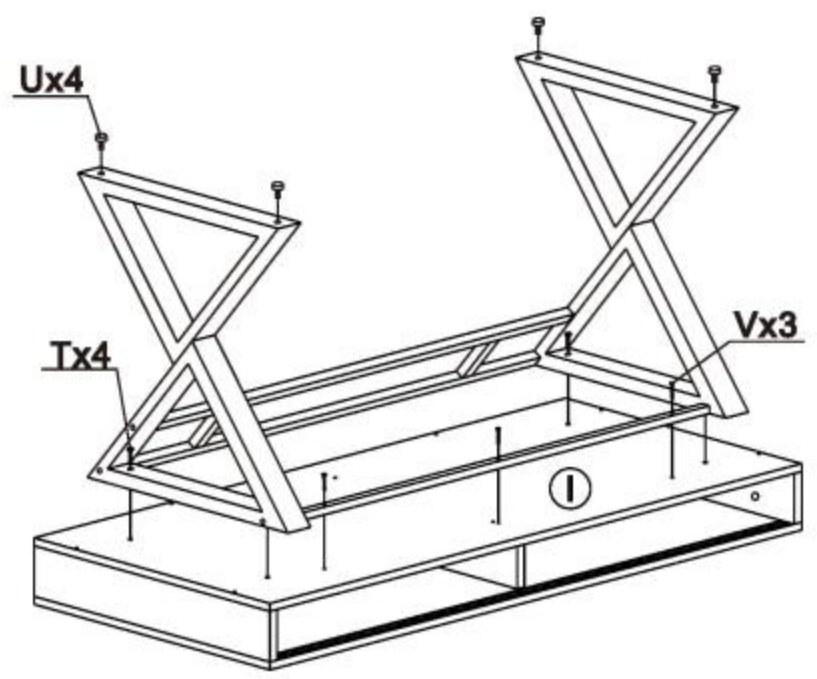
4



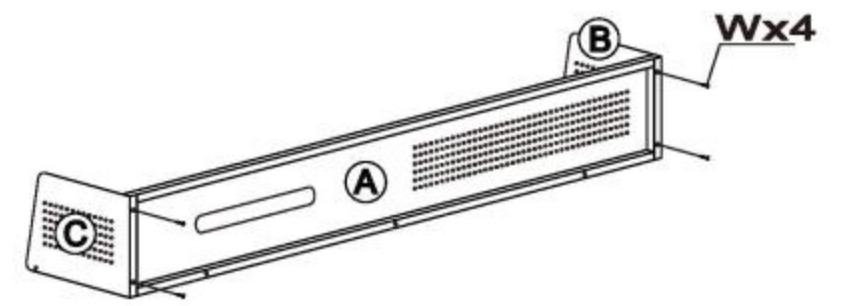
5



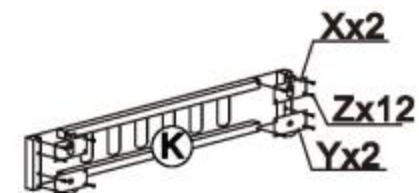
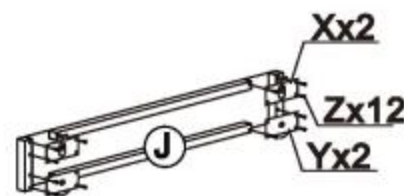
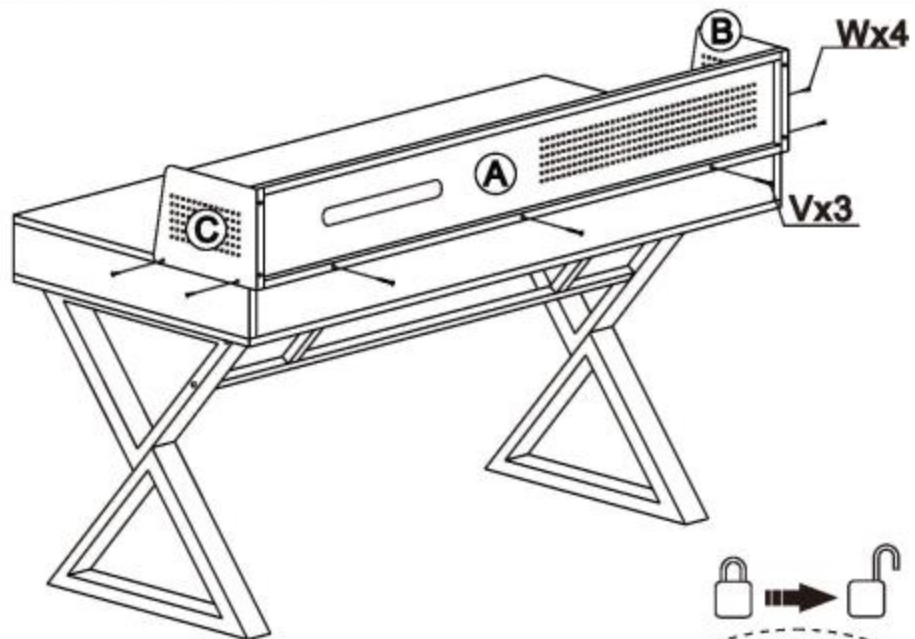
6



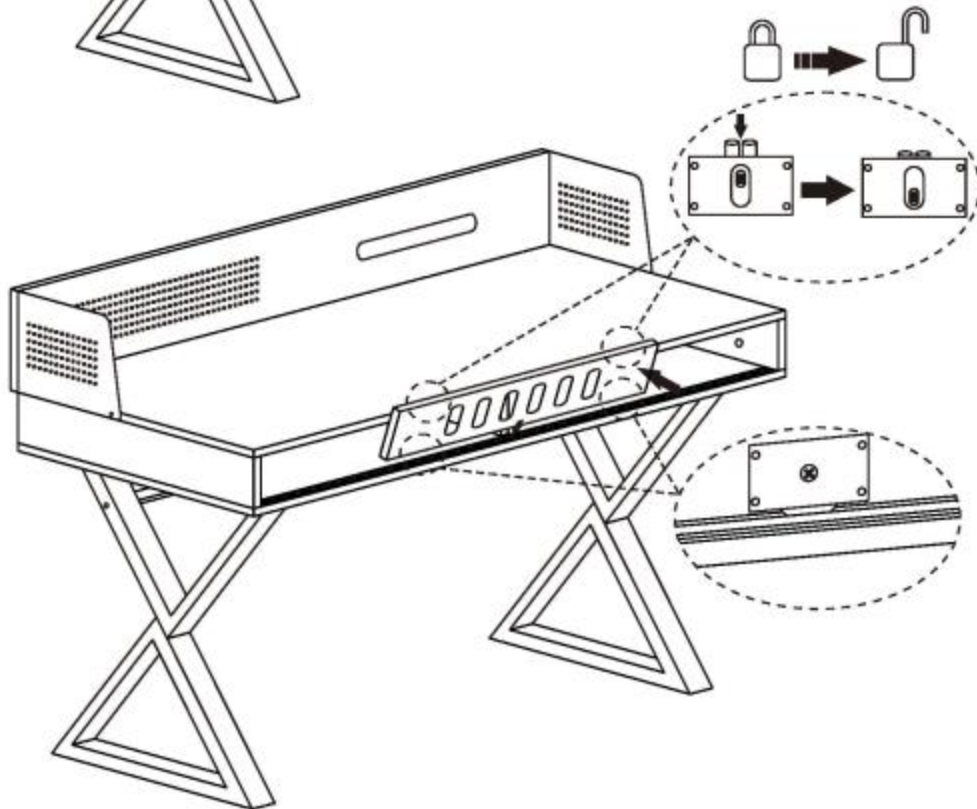
7



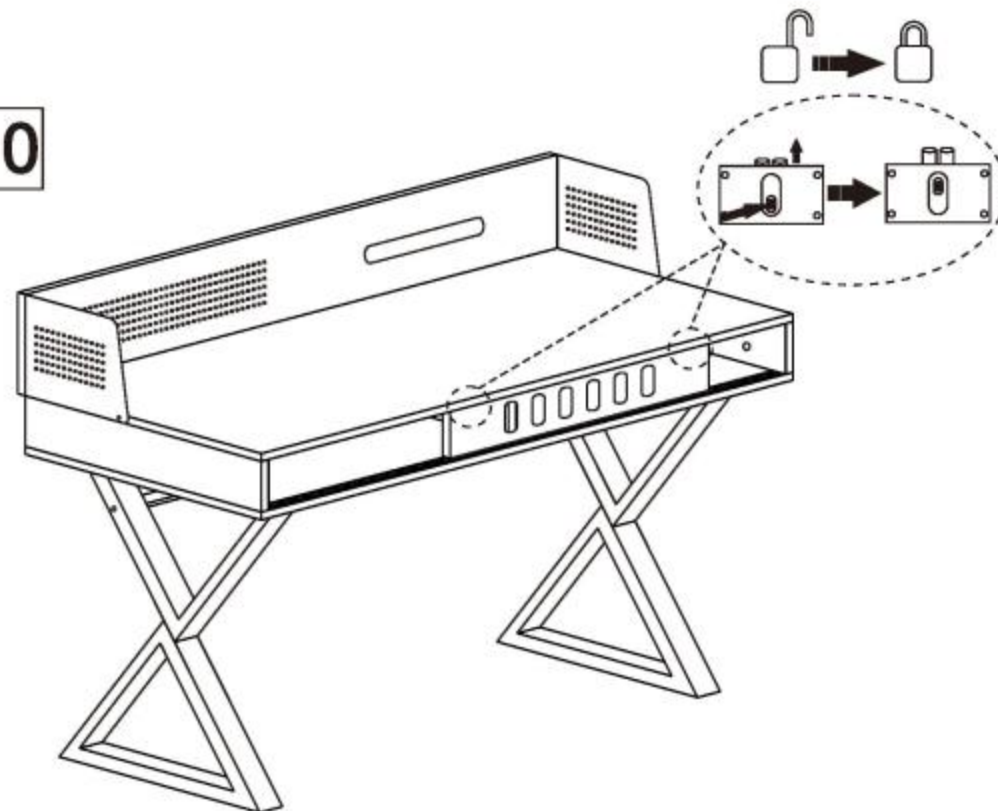
8



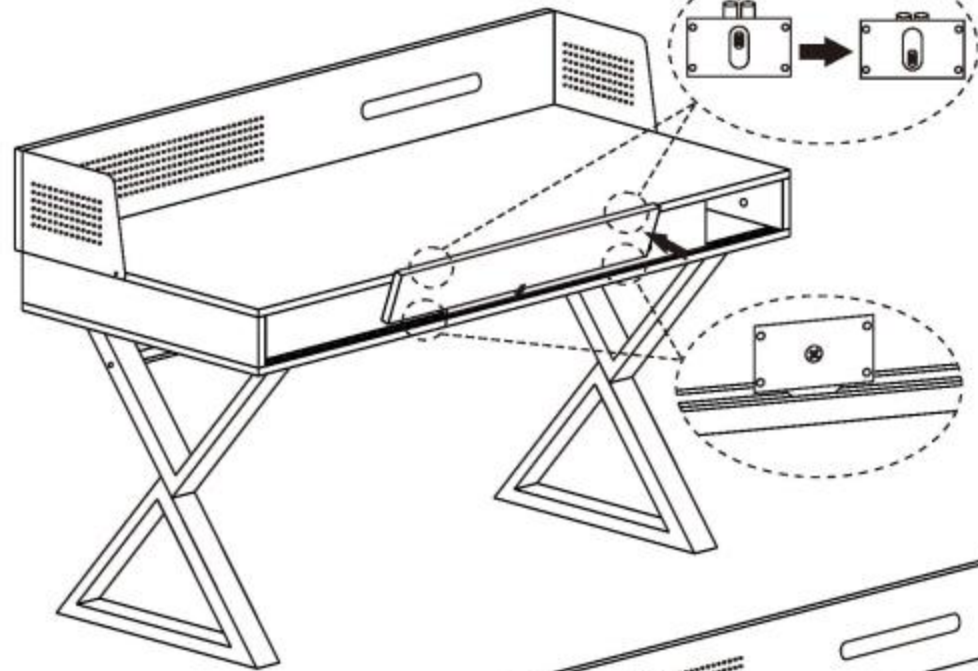
9



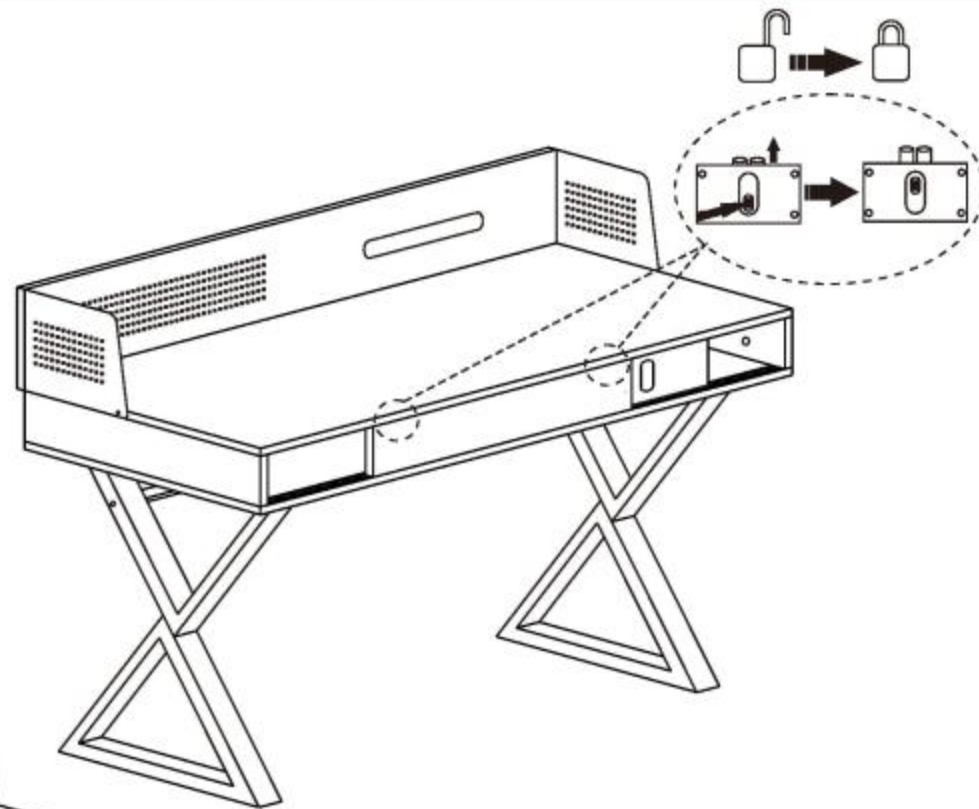
10



11



12



13

