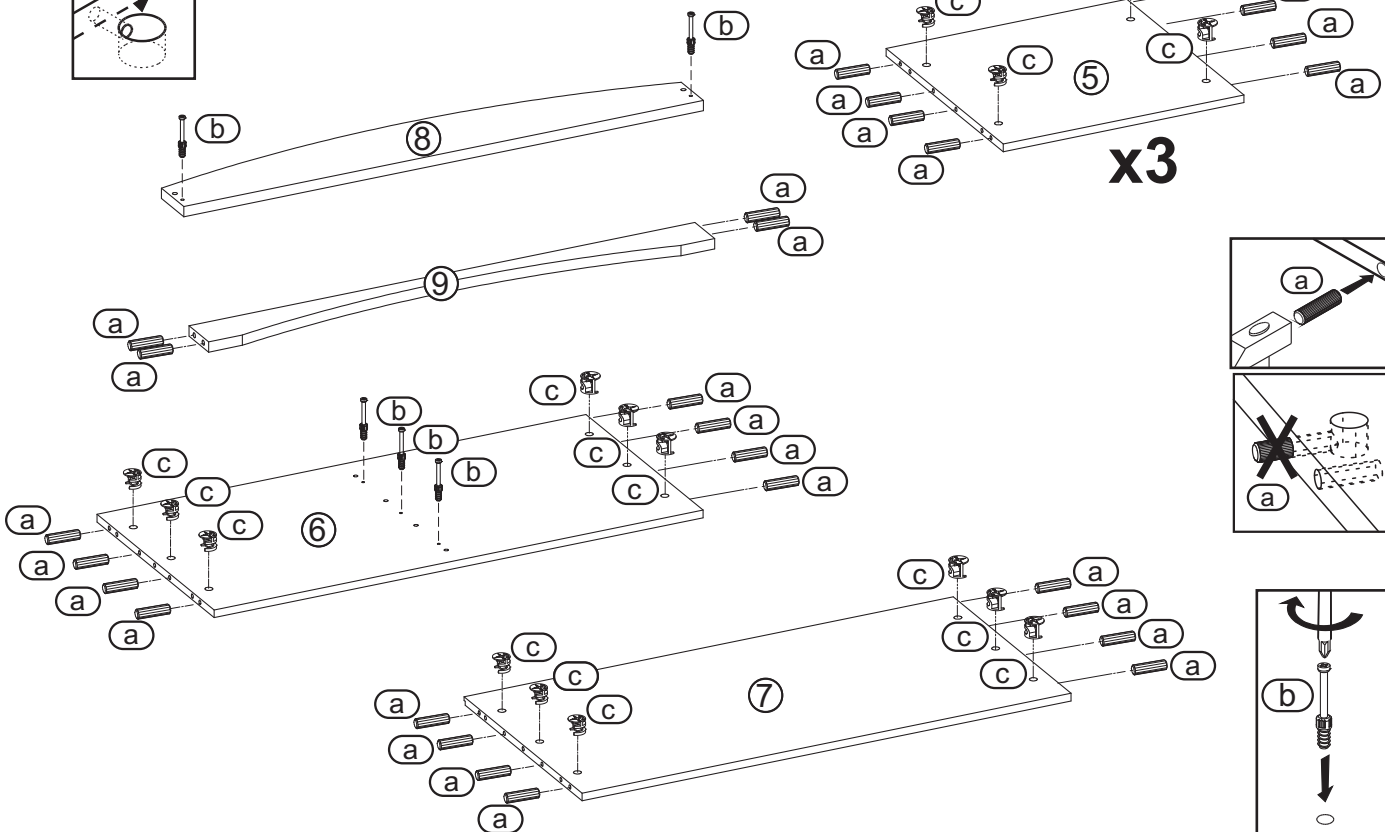
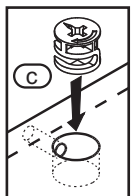
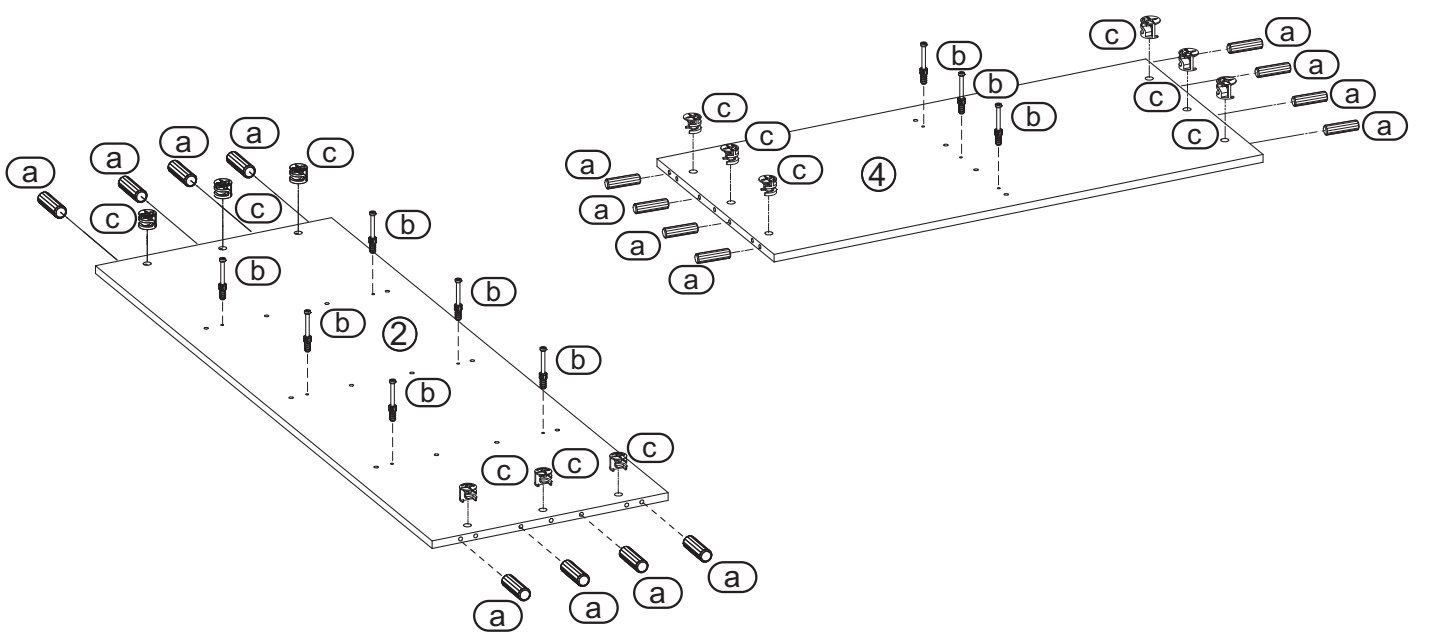
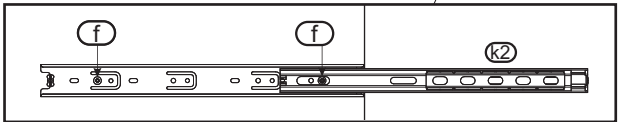
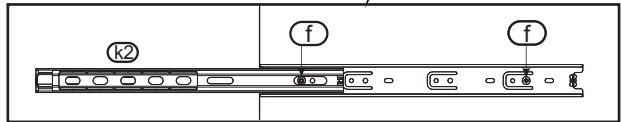
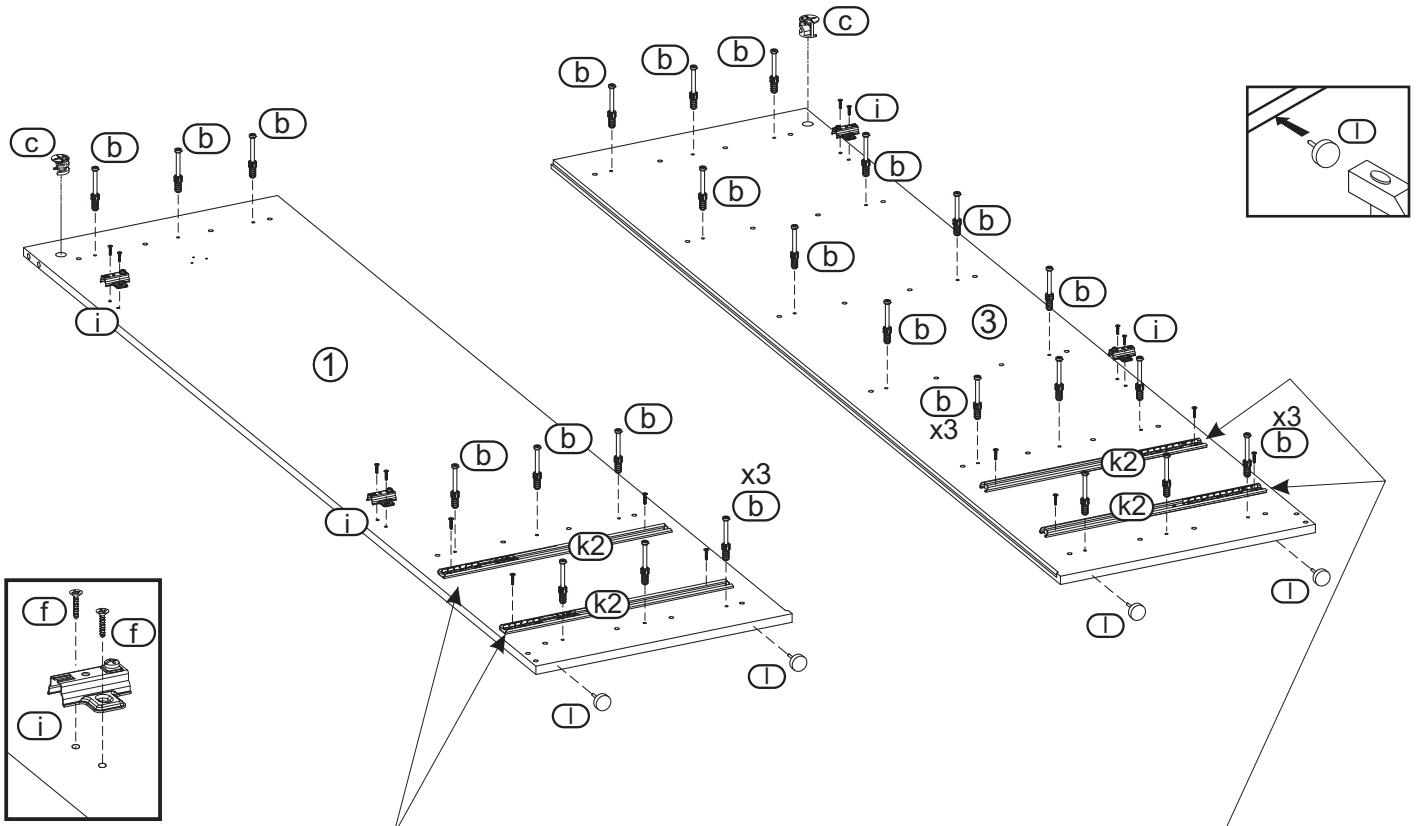
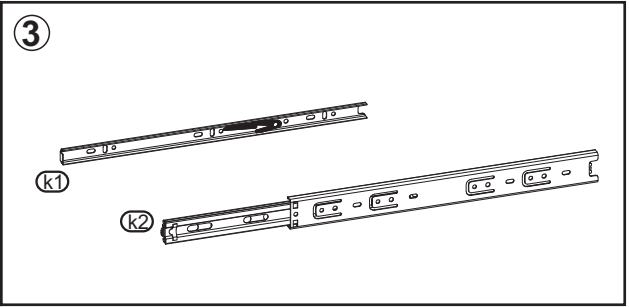
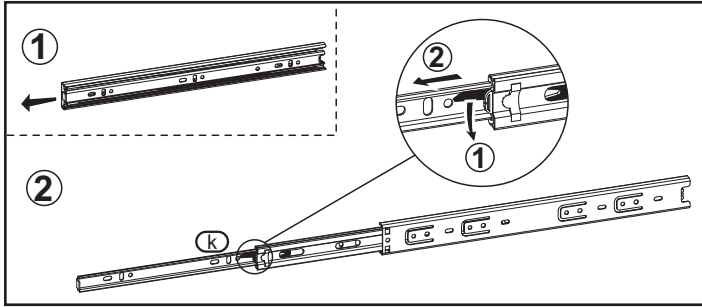


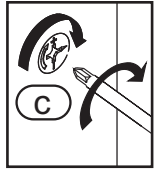
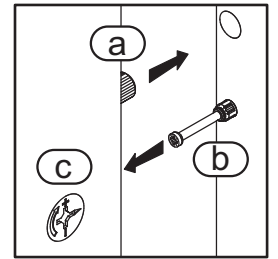
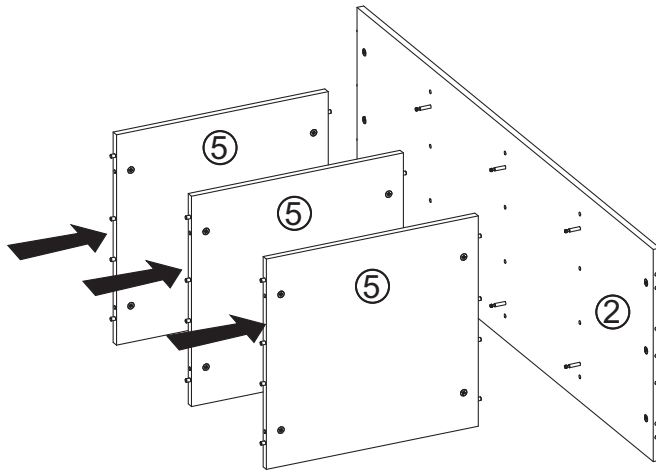
1



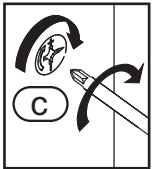
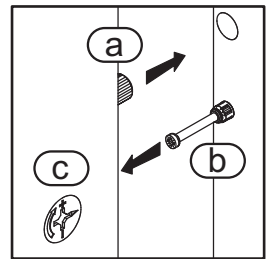
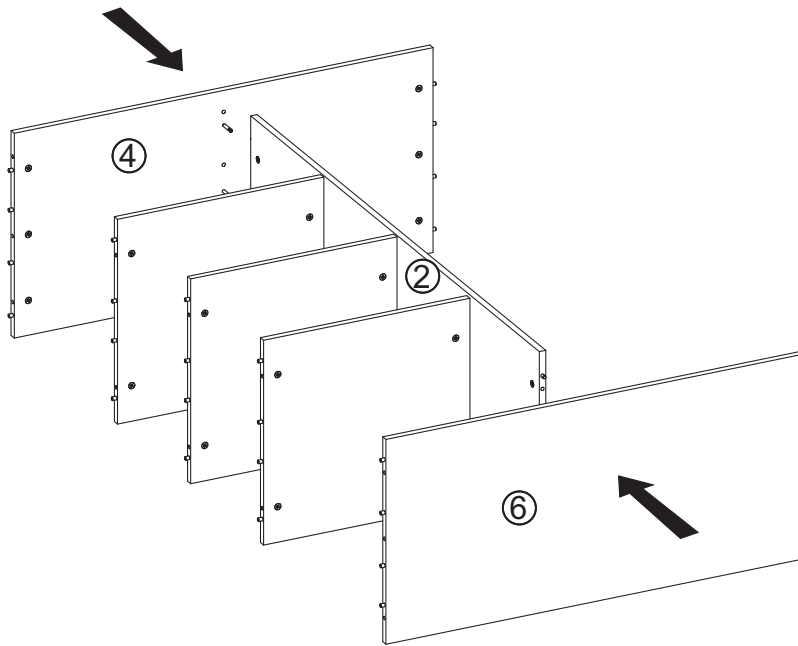
# 2



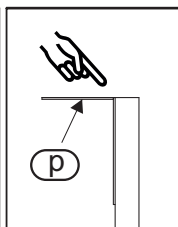
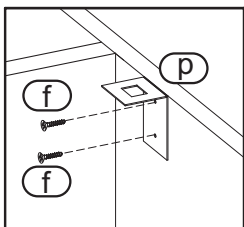
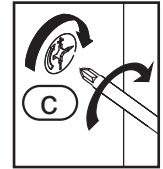
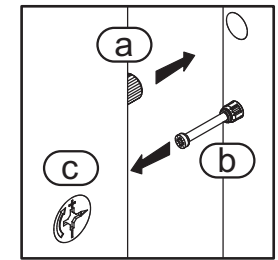
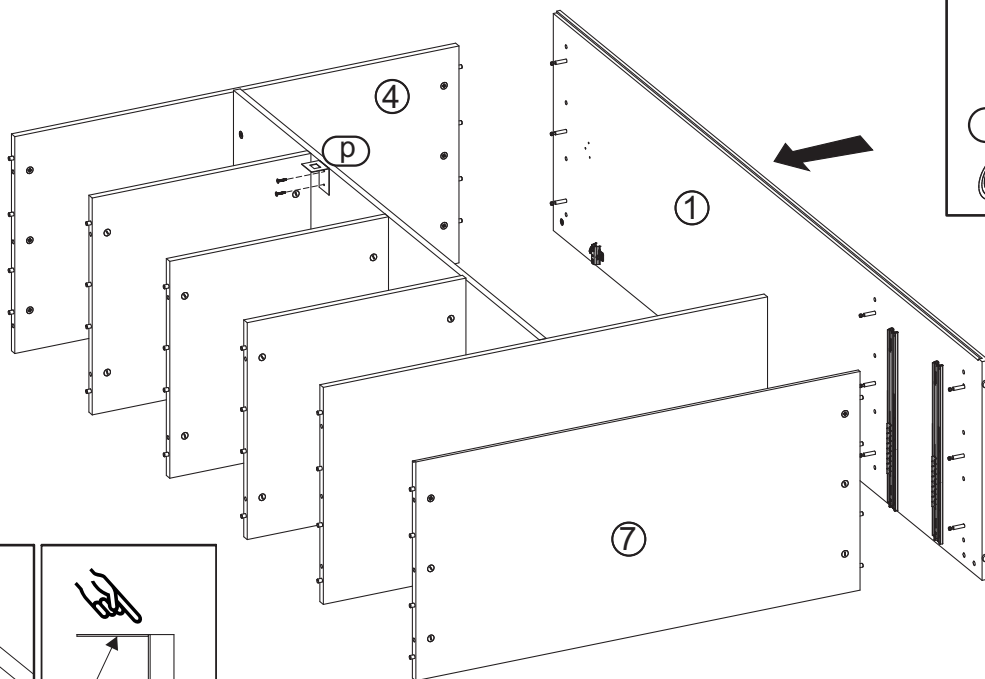
# 3



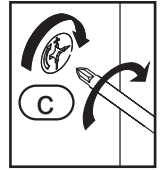
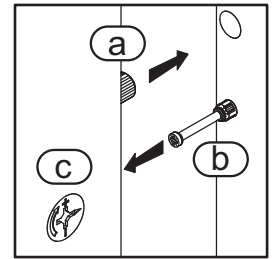
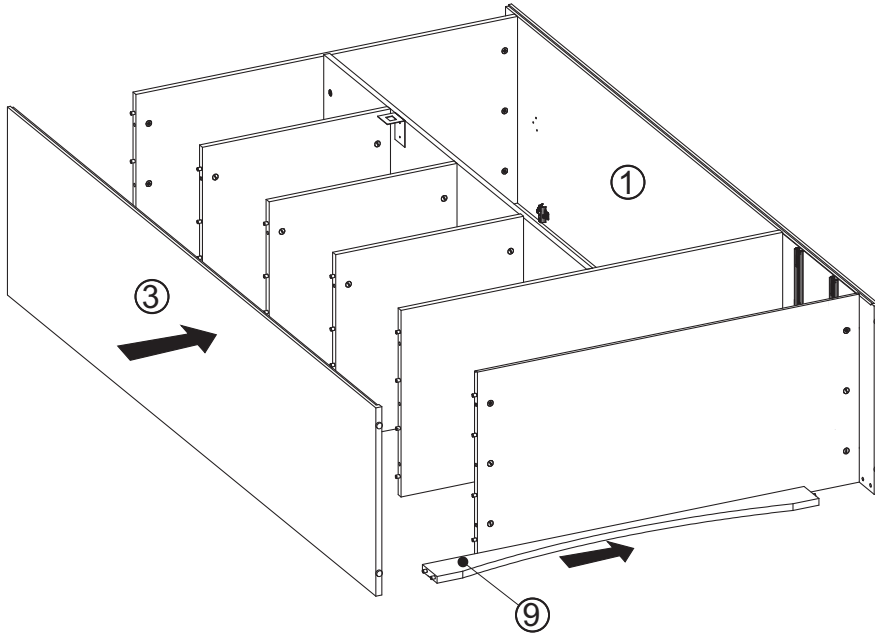
# 4



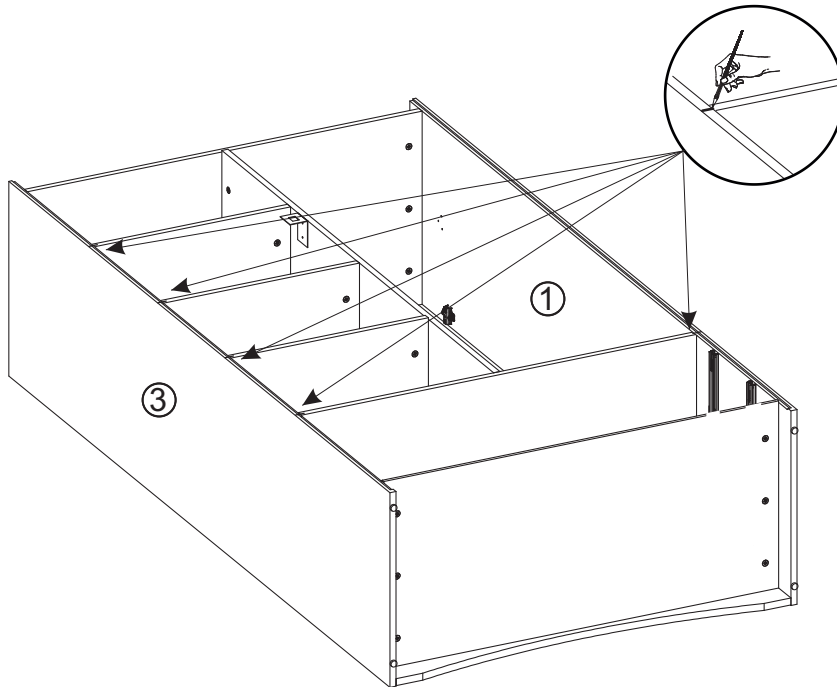
# 5



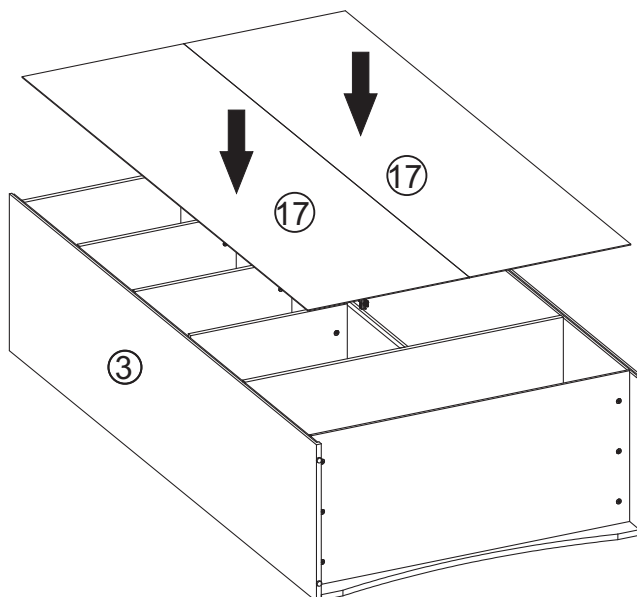
# 6



# 7

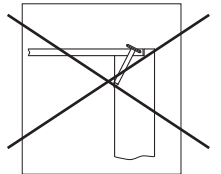
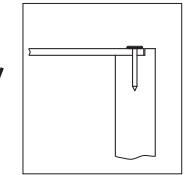
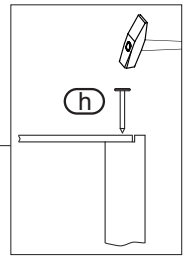
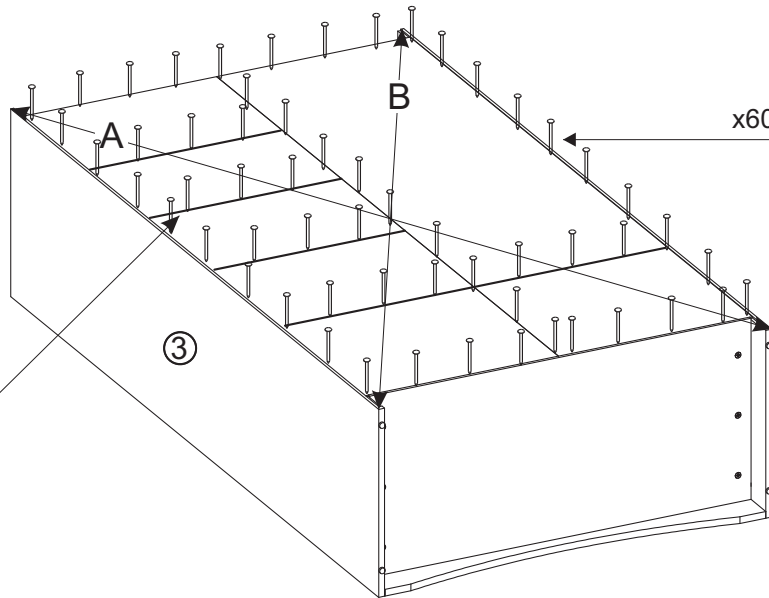
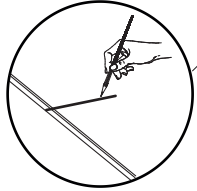


# 8

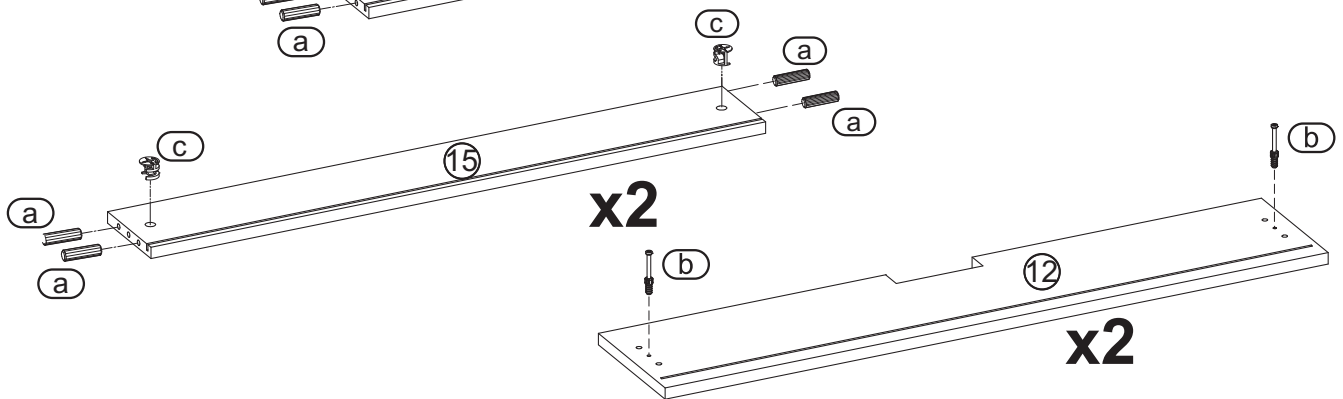
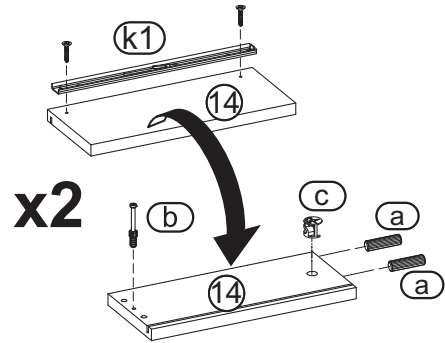
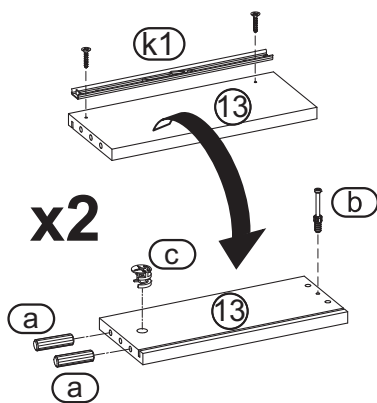
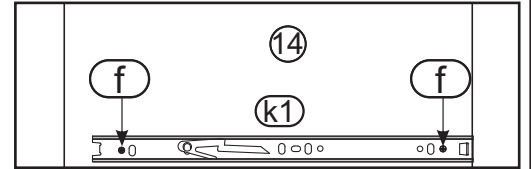
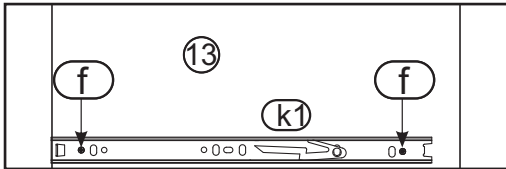


# 9

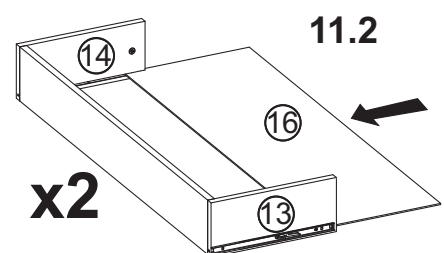
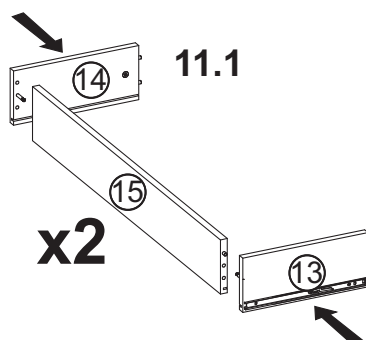
A=B



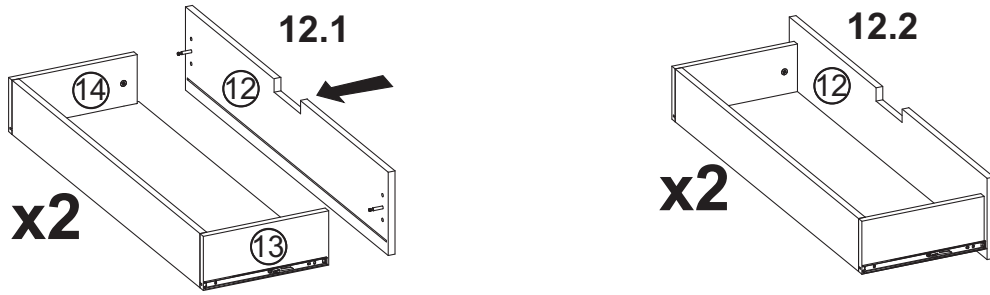
# 10



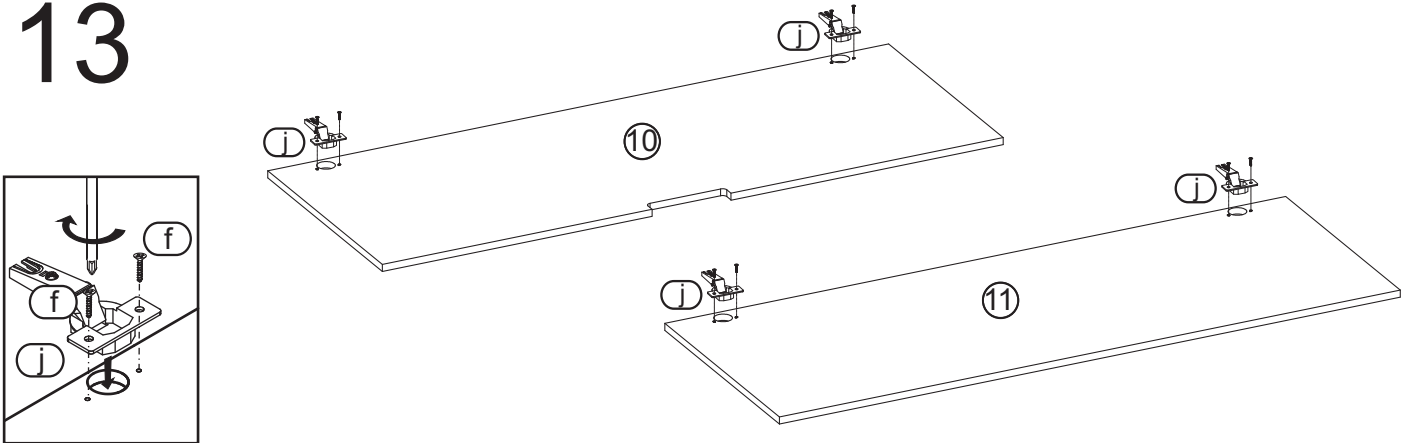
# 11



# 12



# 13



# 14

