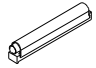

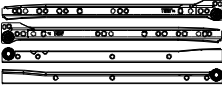

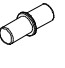
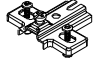




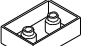















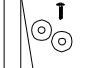




I-IV

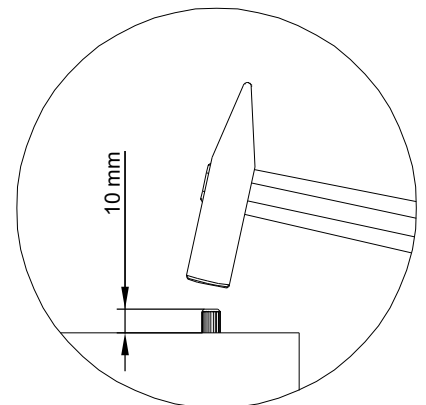
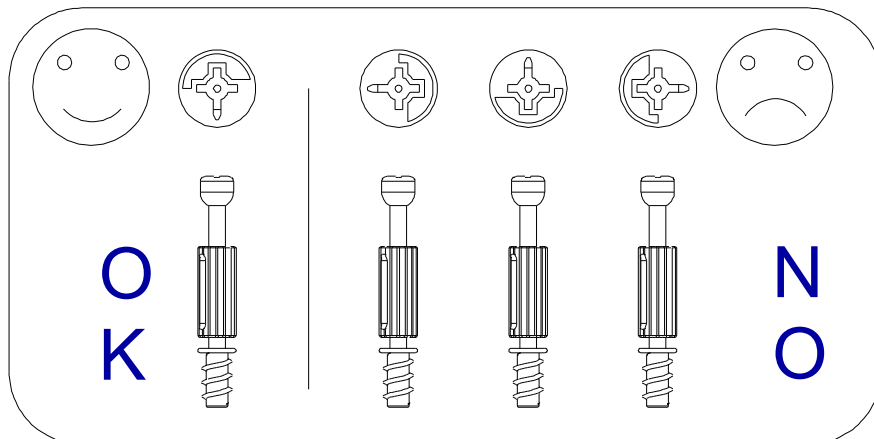
			6,3X13 				
PS x2	A x4	PR x3	F2 x12	S x8	L x4	D x16	B x16

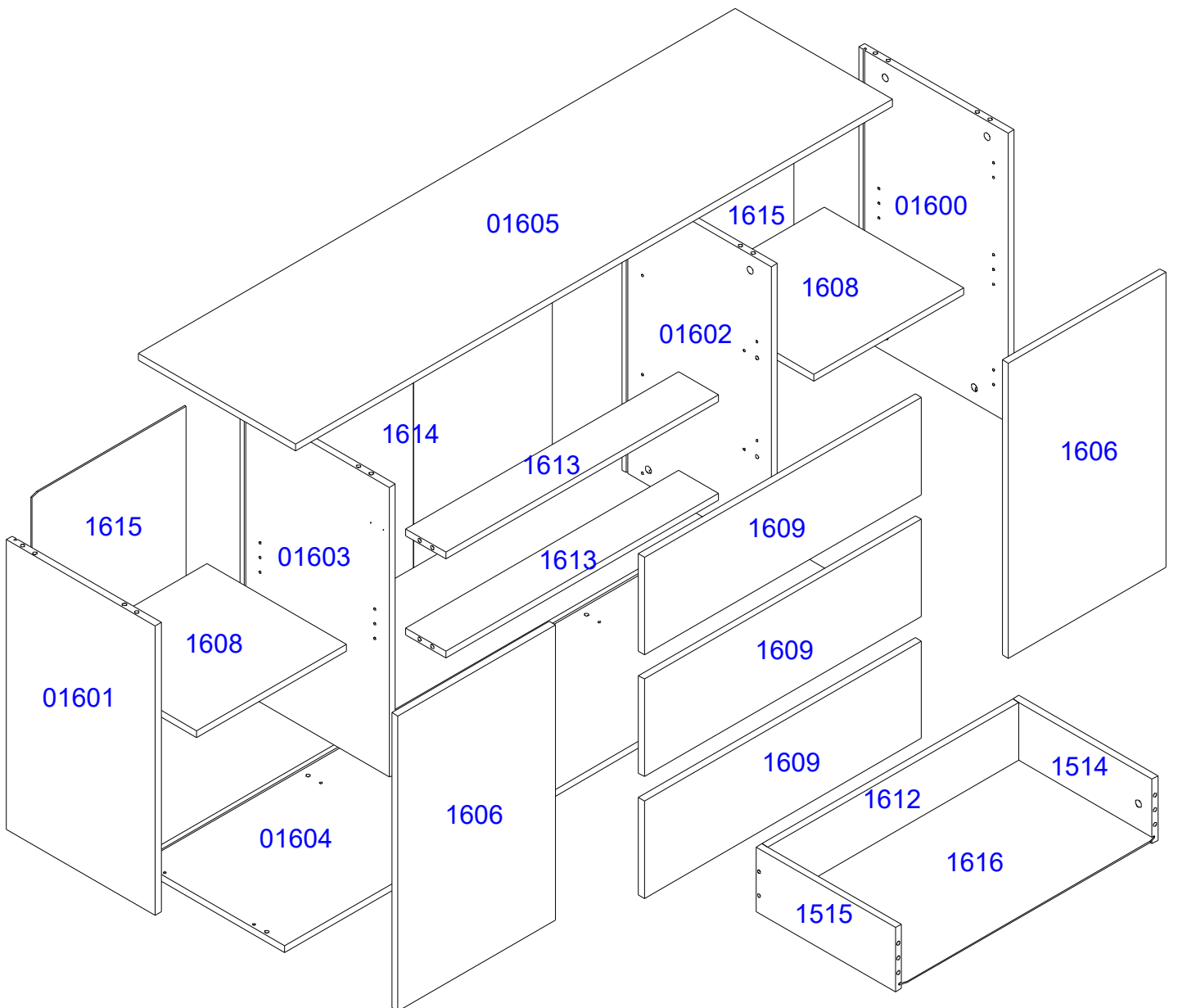
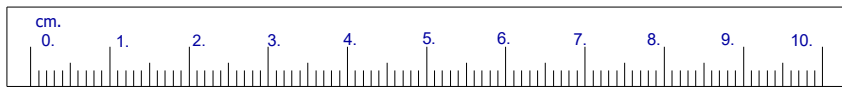
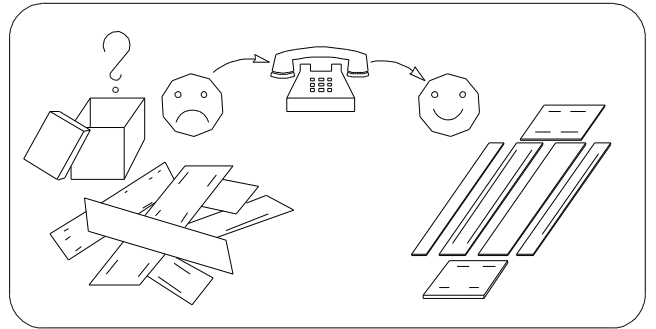
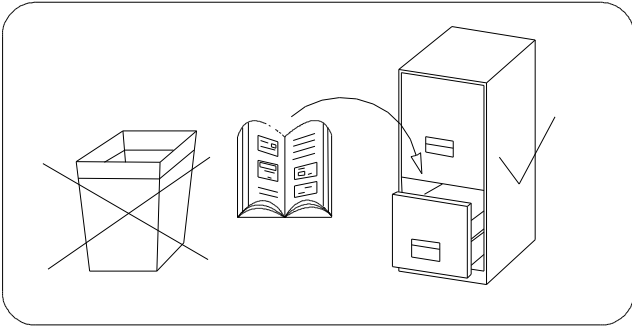
V-XI

	4x25 					
X3 x20	G1 x16	M x8	A x16	PS x3	B x4	D x4


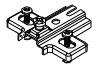

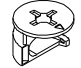
XII-XV

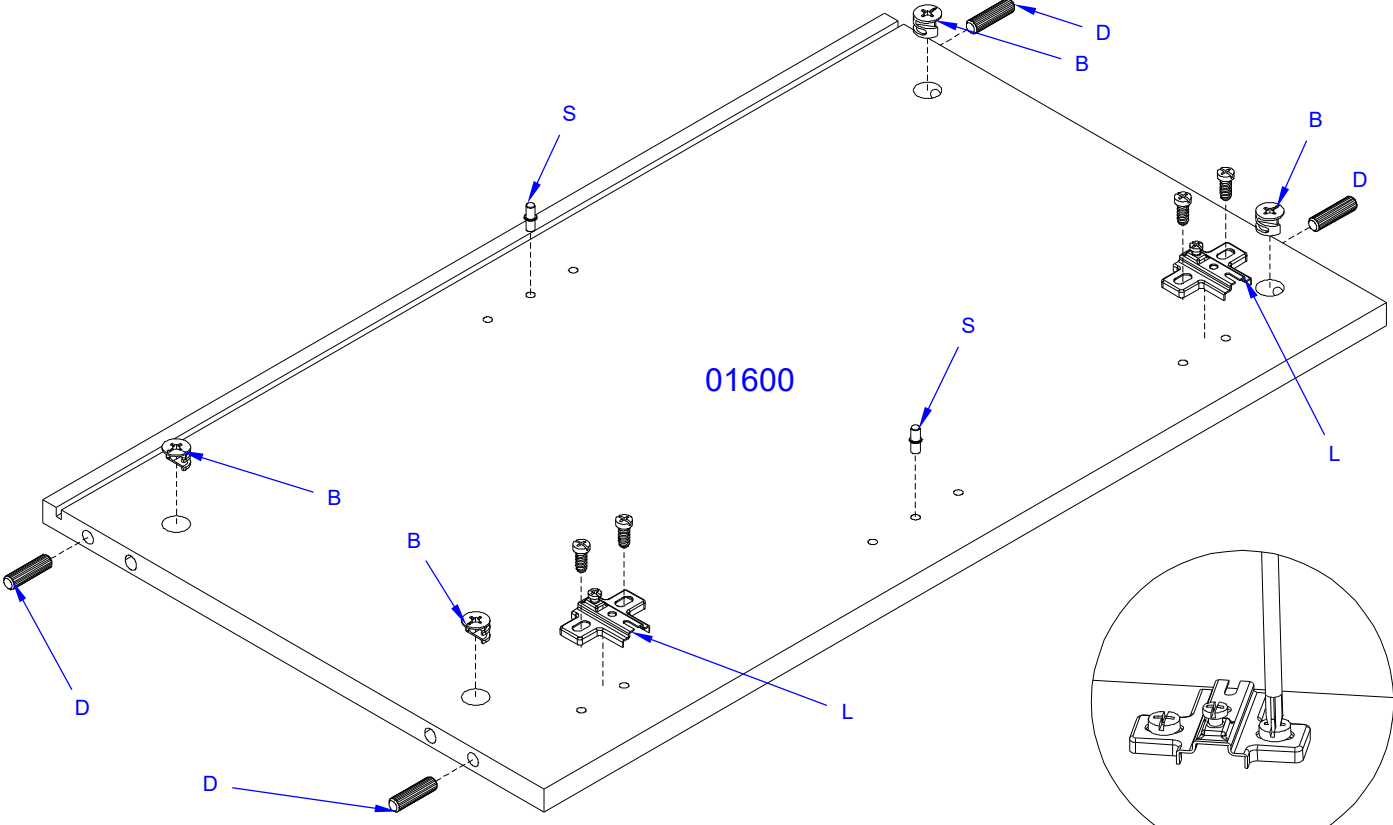
		7x50 					6,3x13 	
U x1	X3 x6	O x12	D x12	B x6	A x6	I x22	F2 x8	Z x4
								
MS x1	WS x3	H2 x12	H4 x6	PR x3				




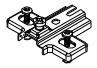

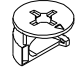


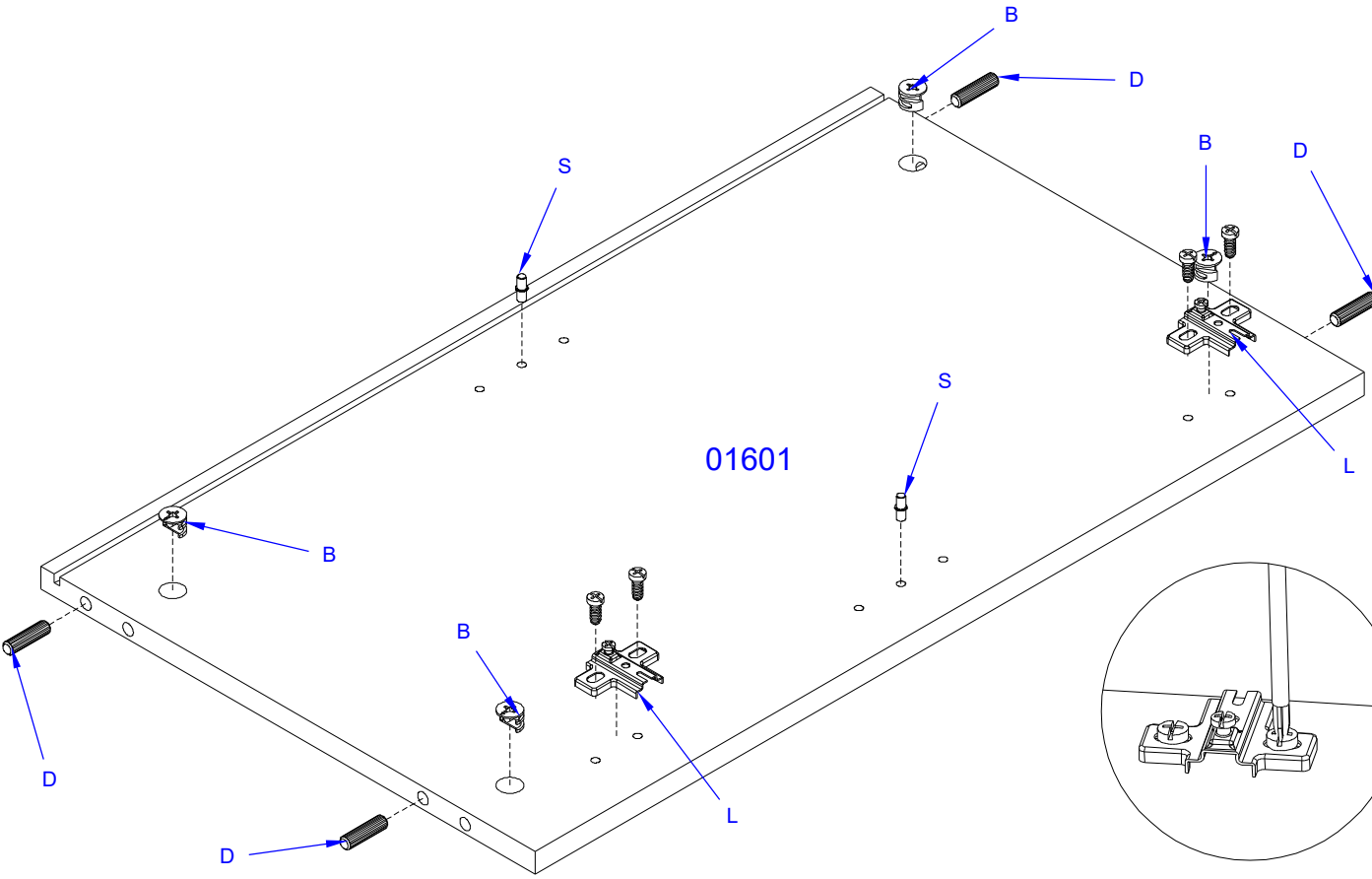
I

			
S	L	D	B
x2	x2	x4	x4

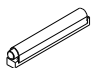

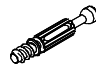
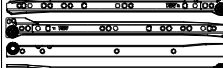

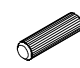
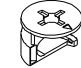
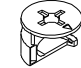


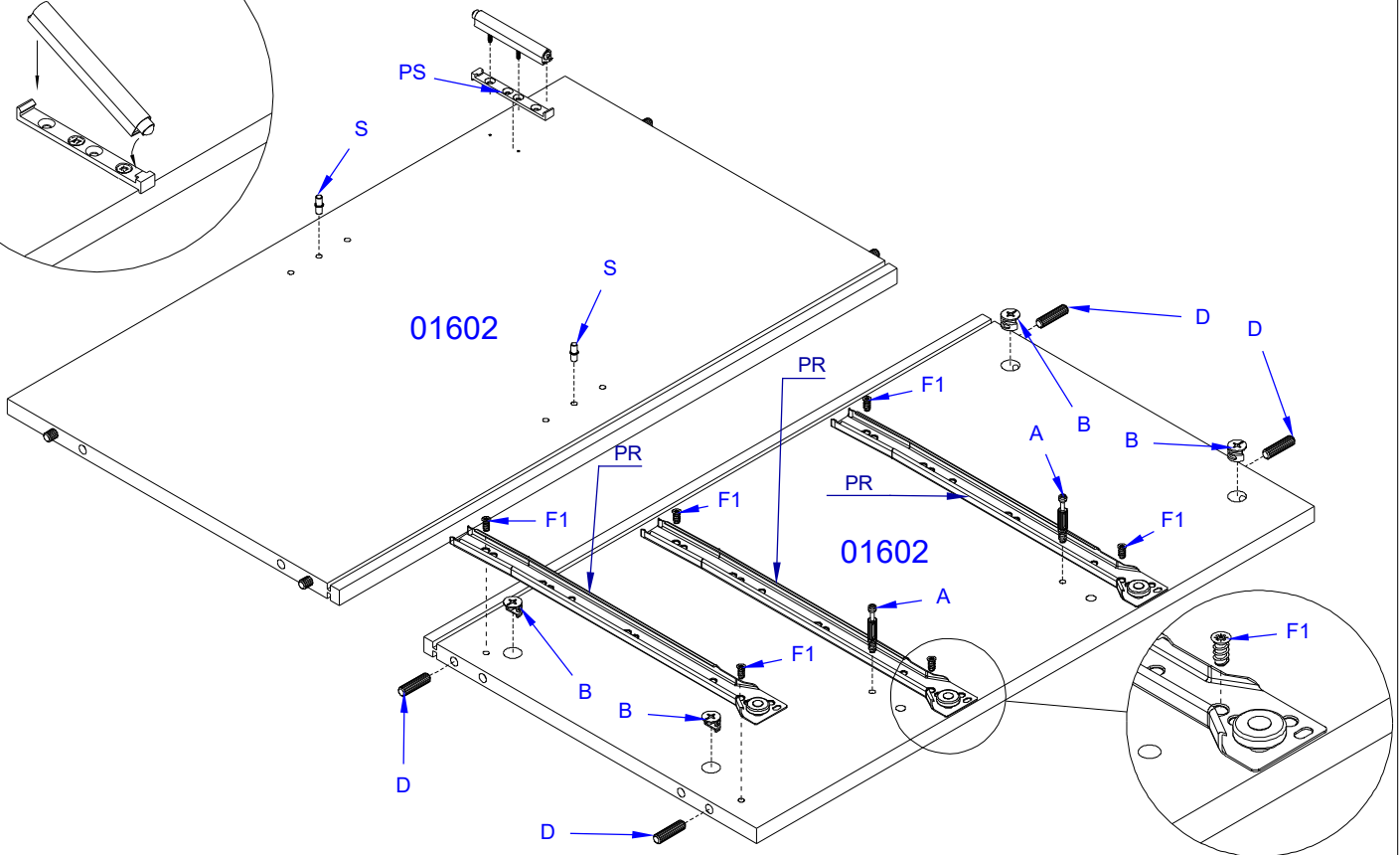
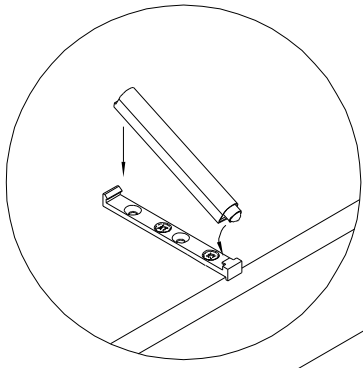
II

			
S	L	D	B
x2	x2	x4	x4

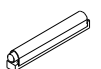




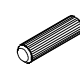
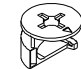
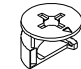


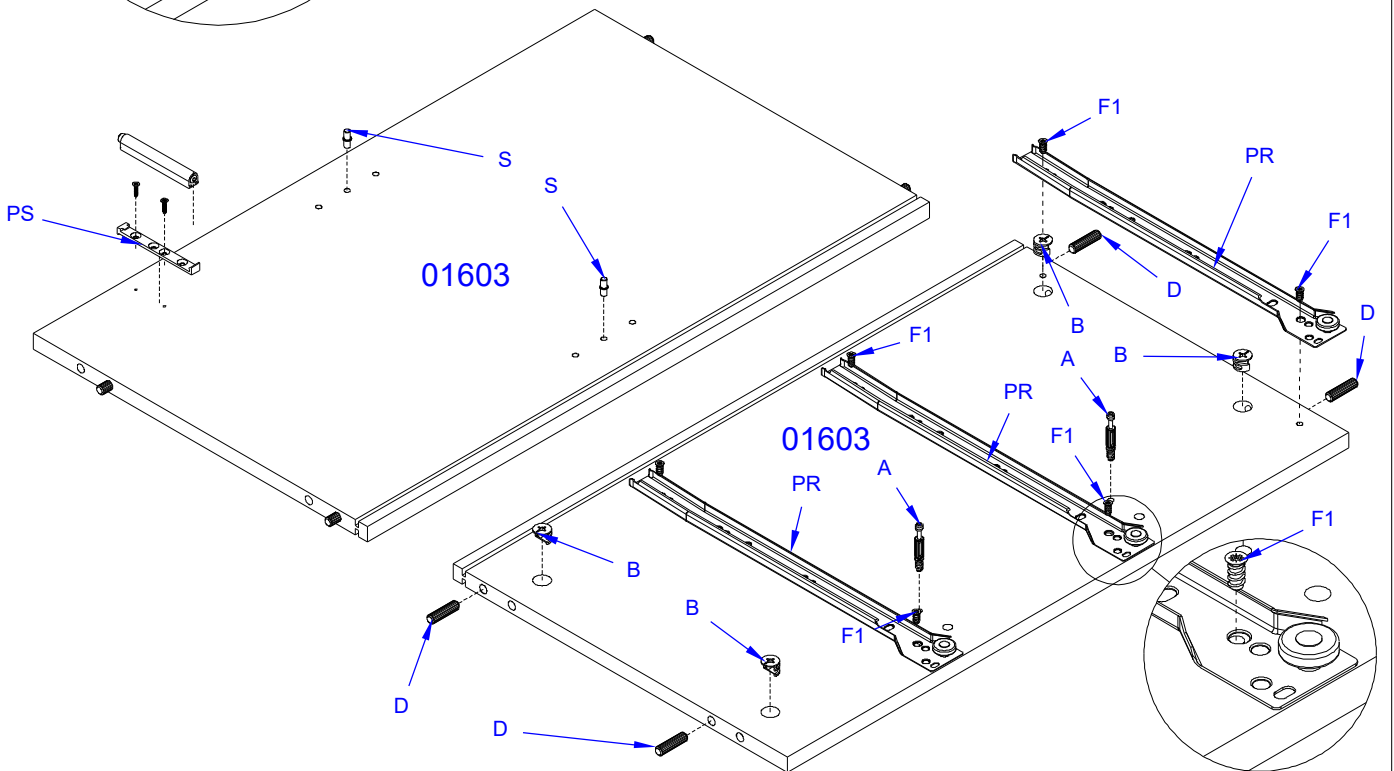
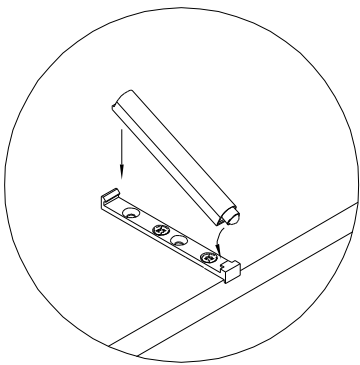
III

							
PS	S	A	PR	6x11	F1	D	B
x1	x2	x2	x3	x6	x4	x4	x4

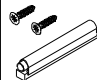



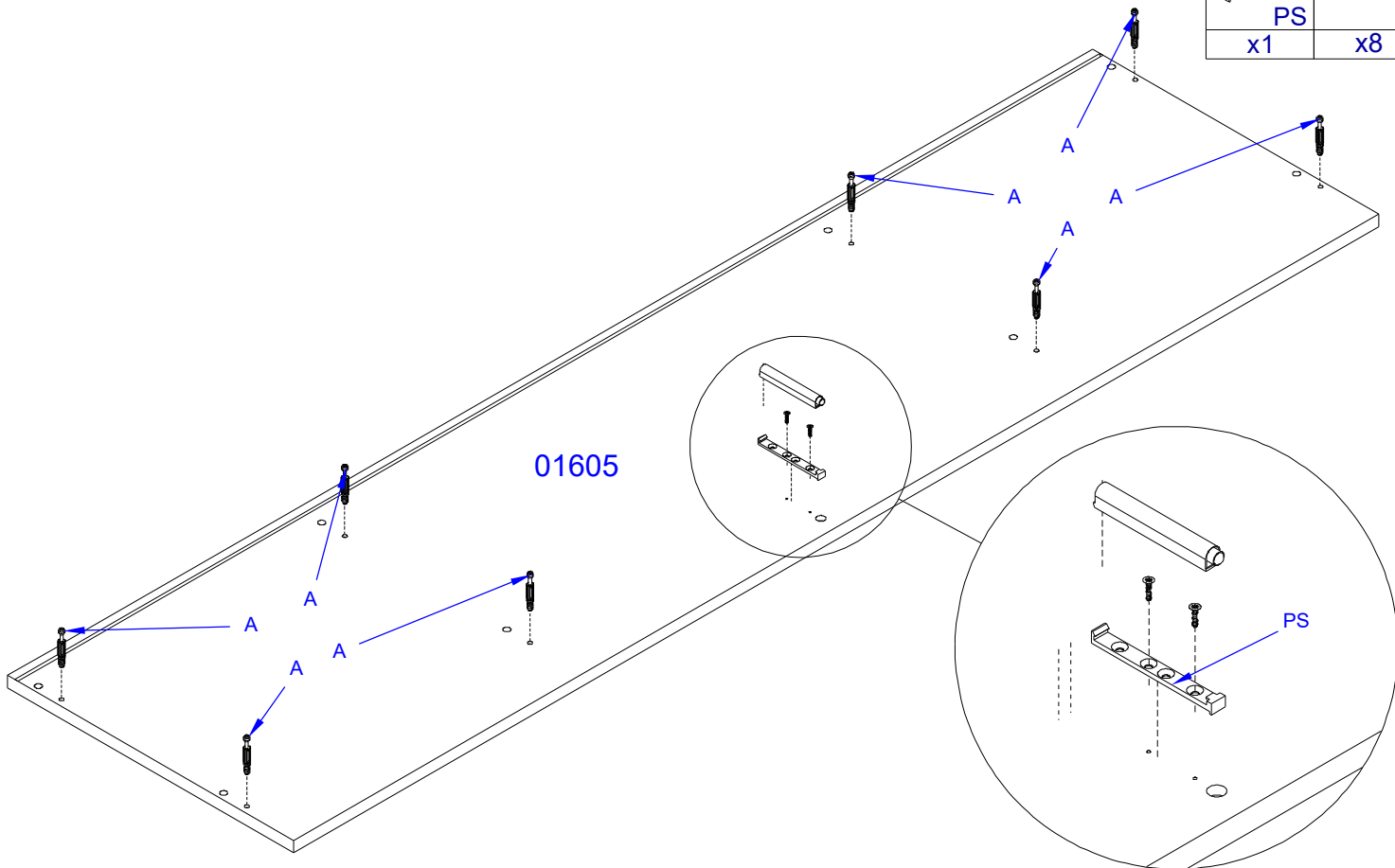
IV

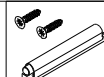
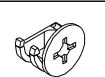
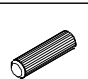
							
PS	S	A	PR	6x11	F1	D	B
x1	x2	x2	PR	x6	x4	x4	x4

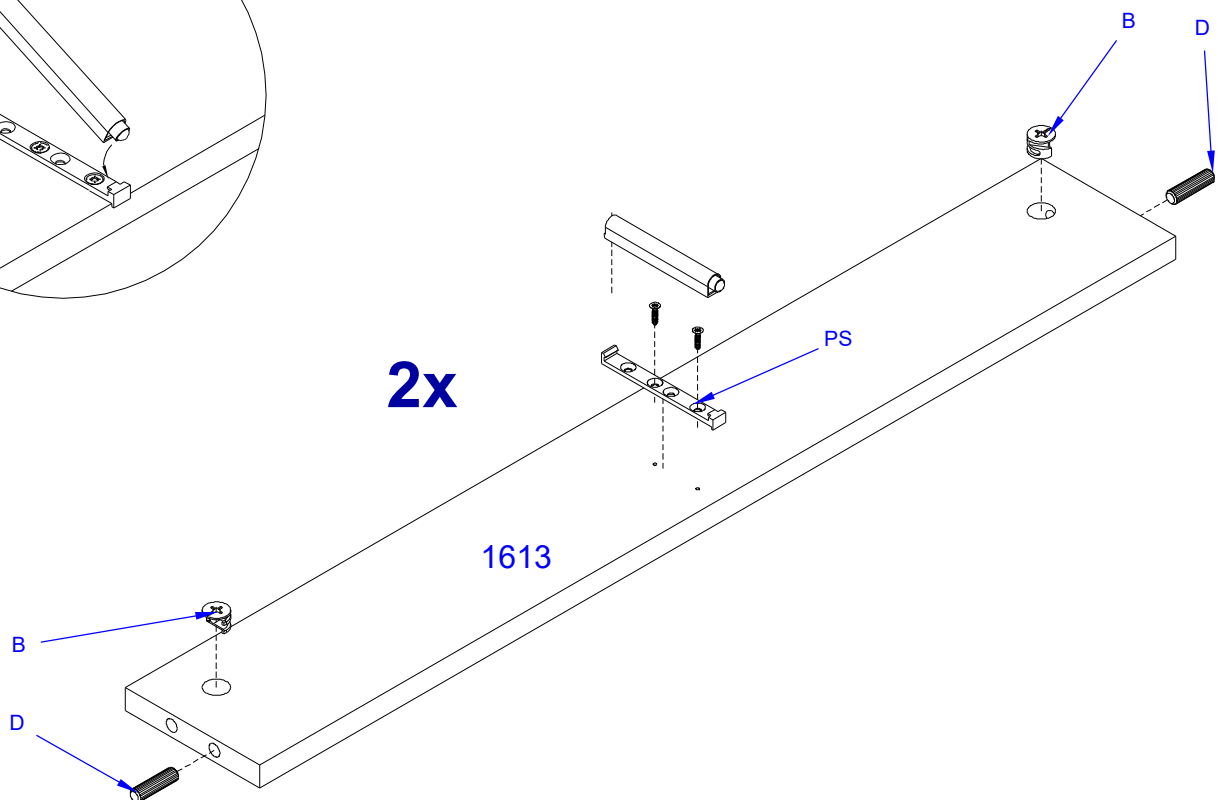
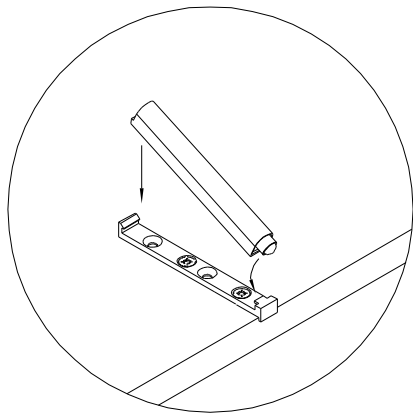


V

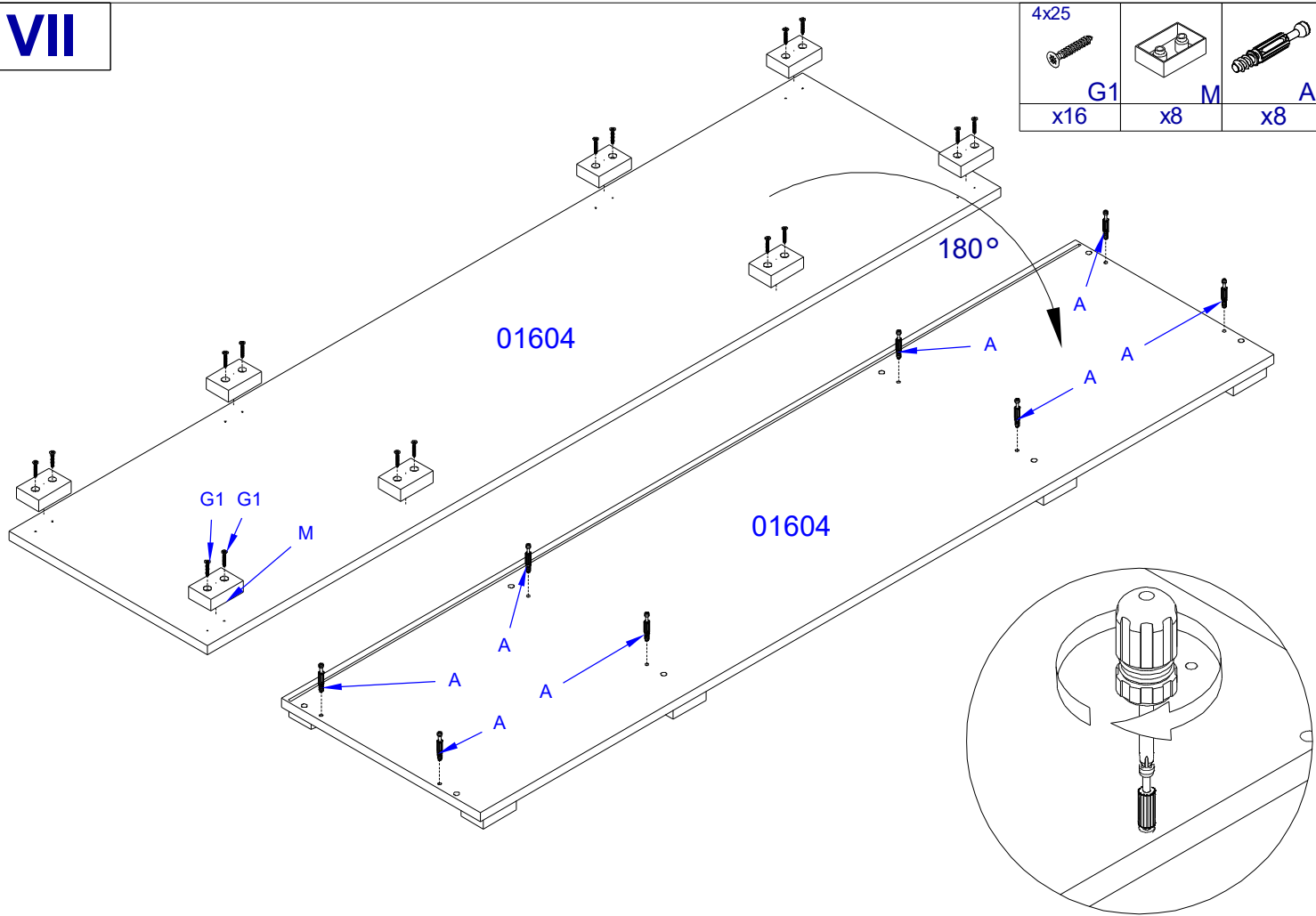
	
PS	A
x1	x8

**VI**

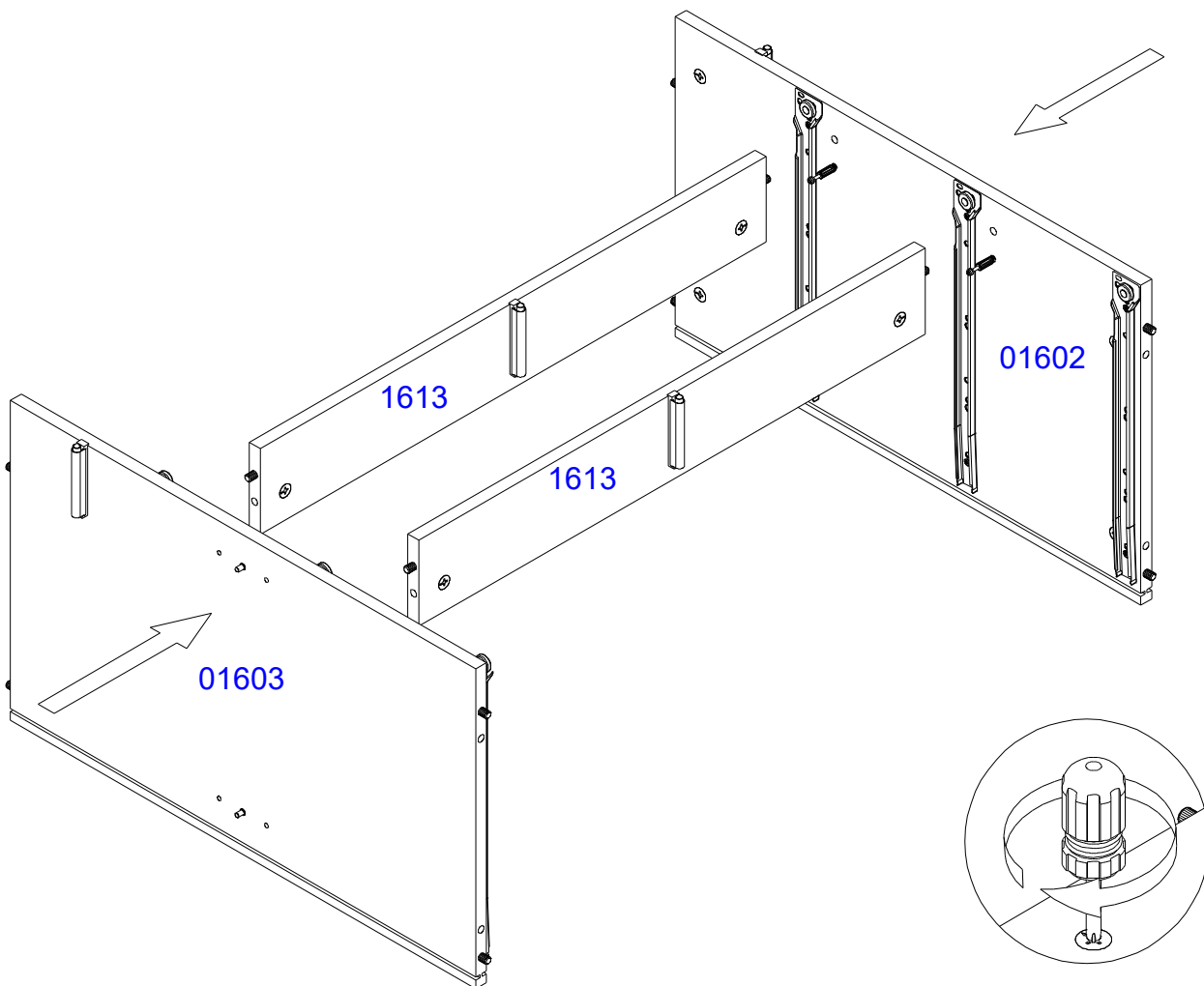
		
PS	B	D
x2	x4	x4



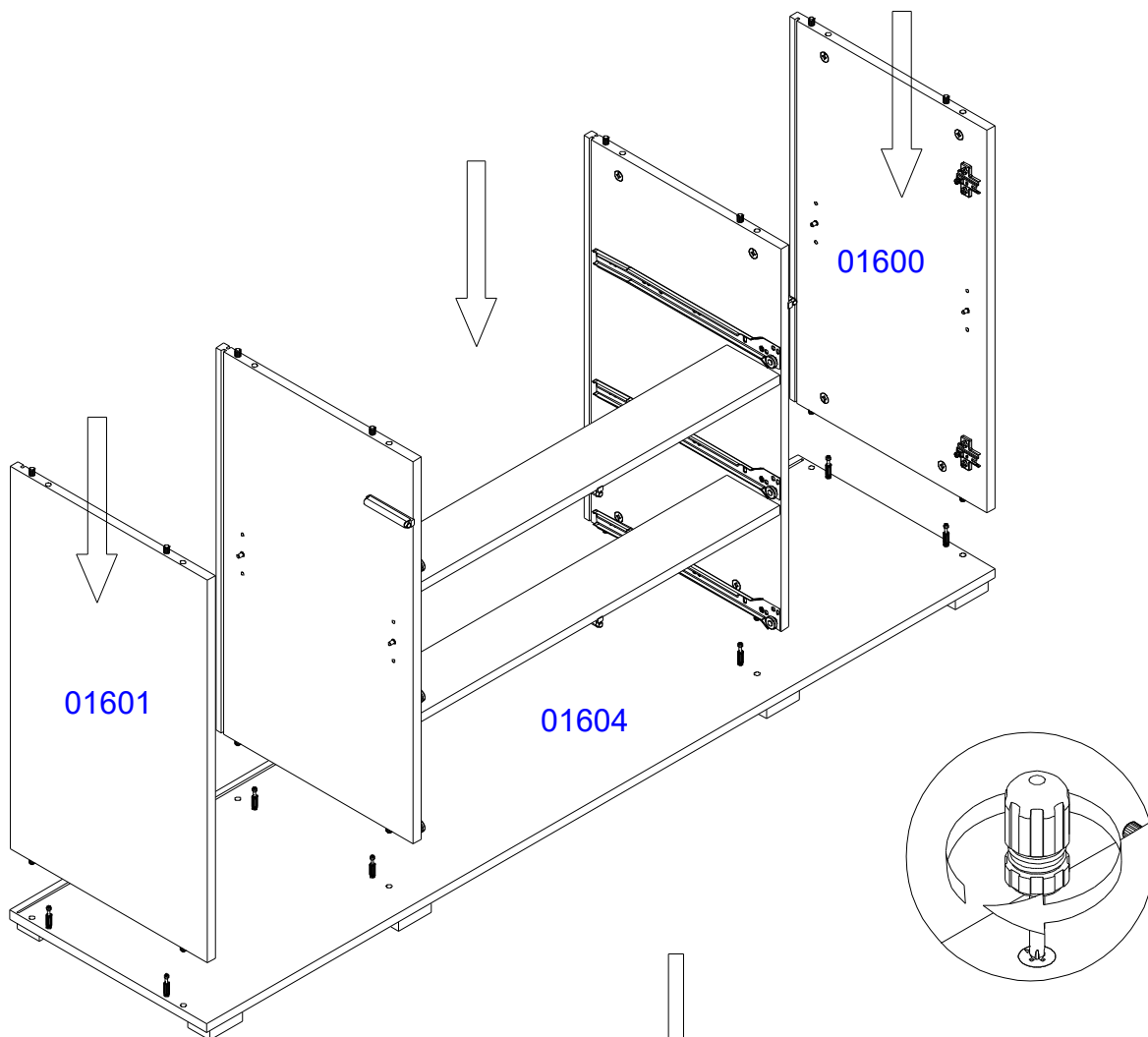
VII



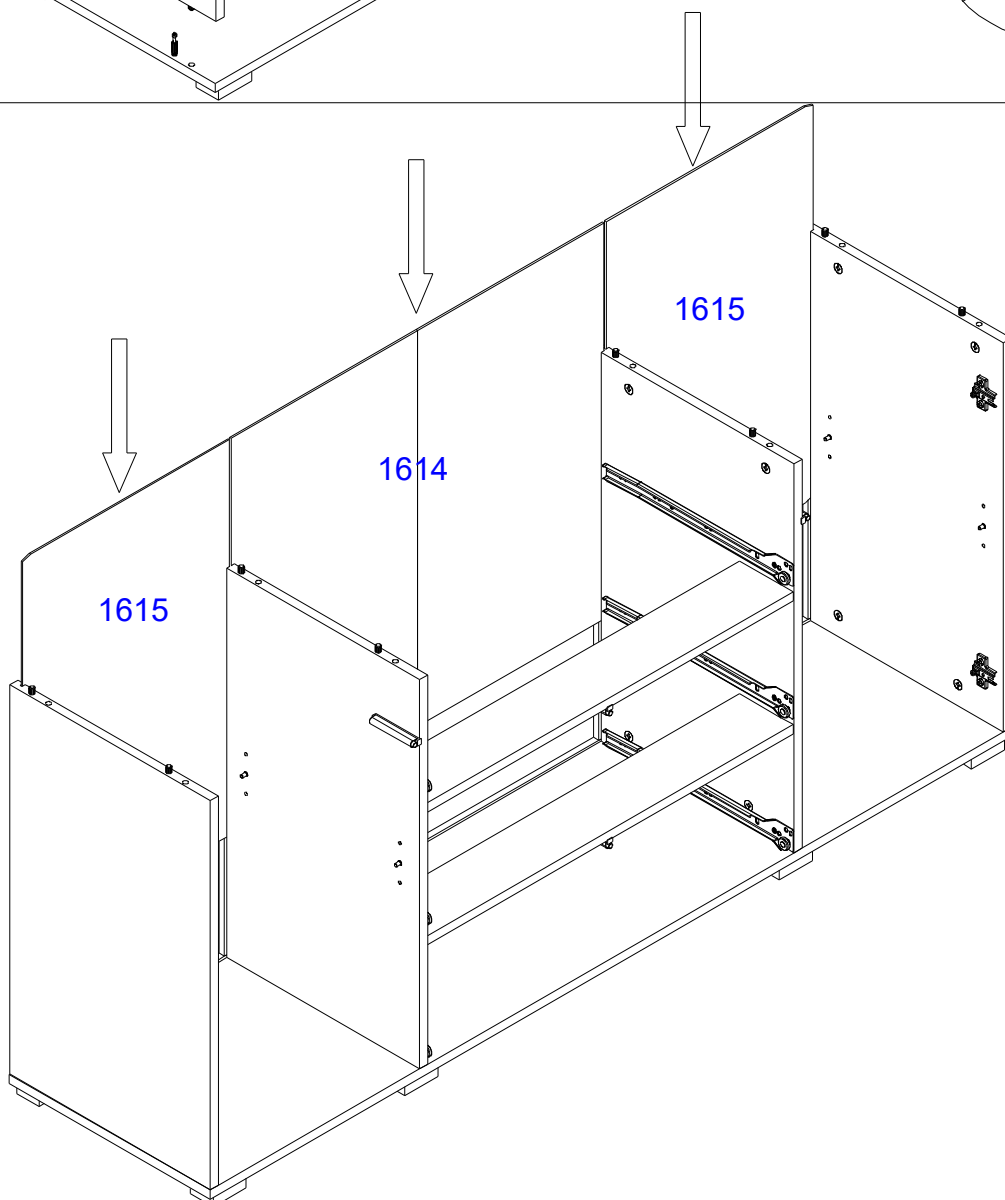
VIII



IX



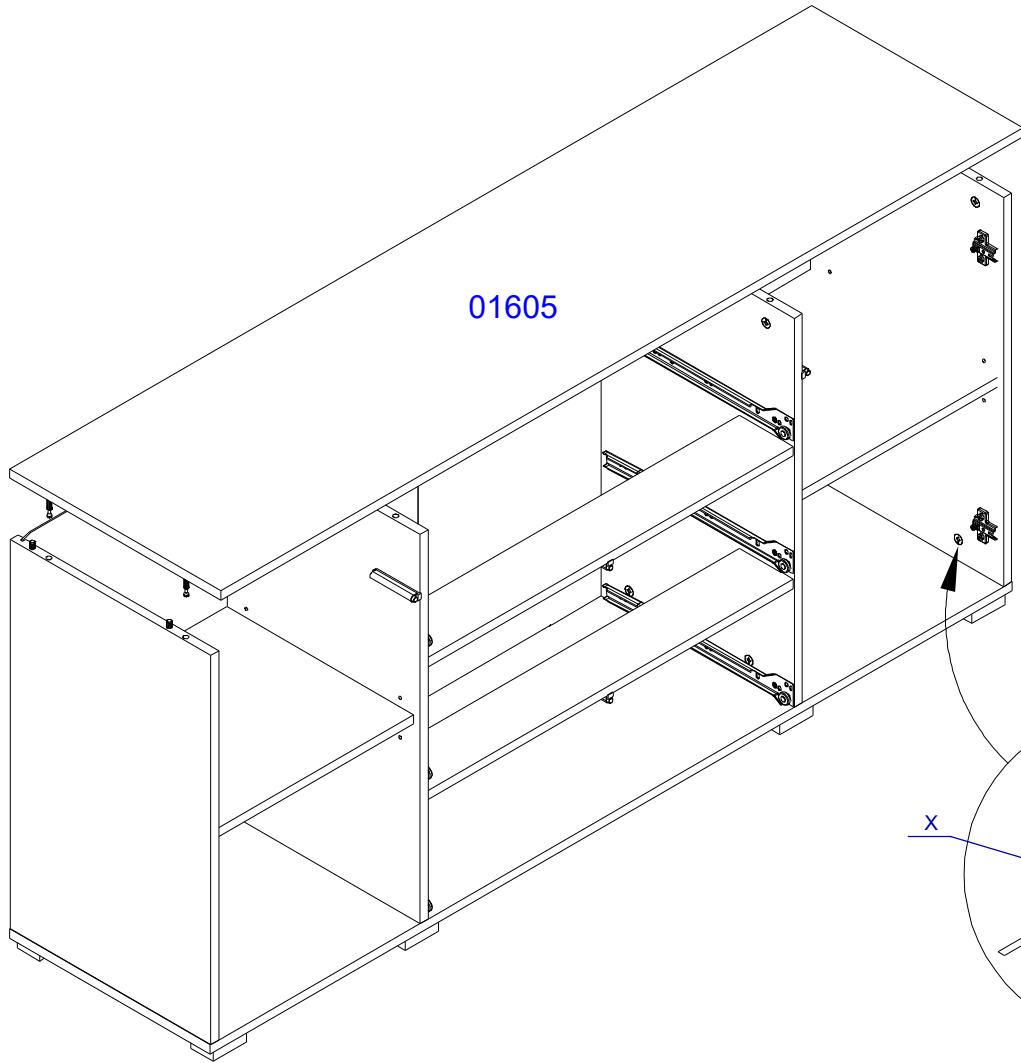
X



XI



X3
x20



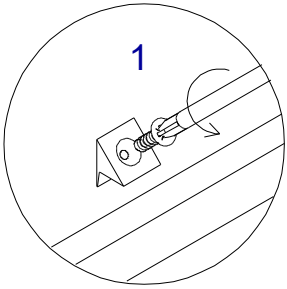
01605

X

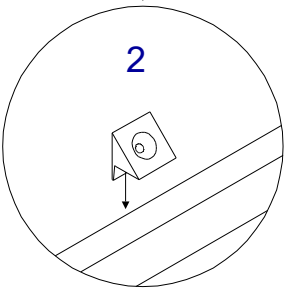
XII



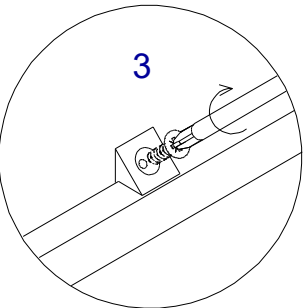
x22



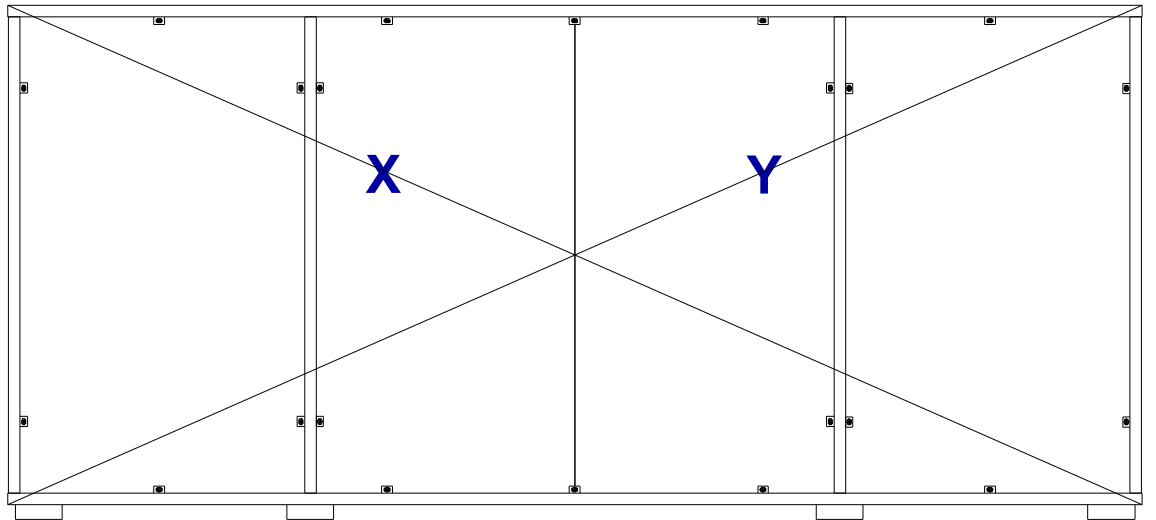
1



2



3


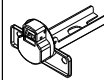


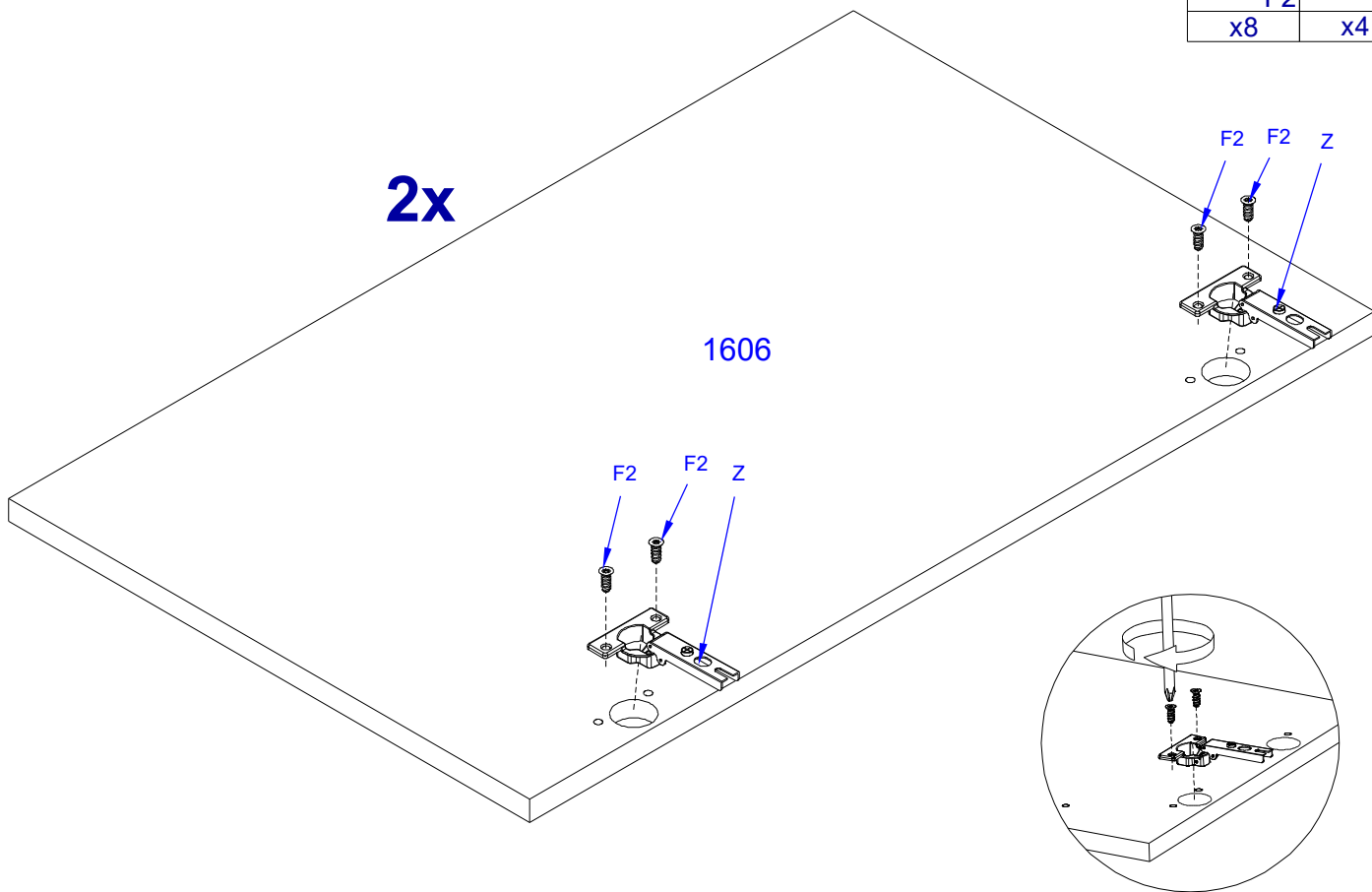
X

Y

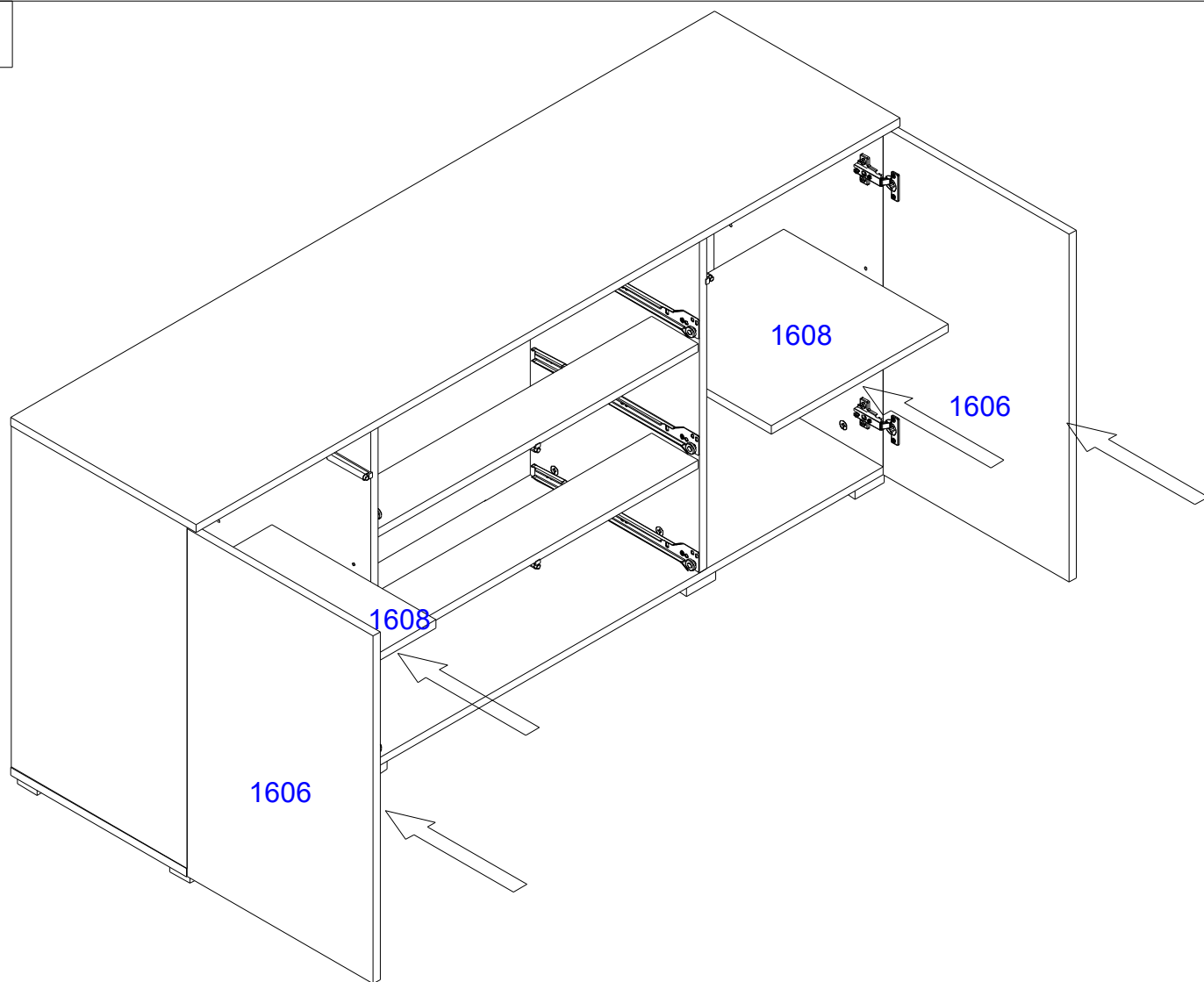
X=Y

XIII

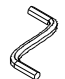



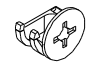
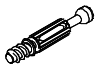



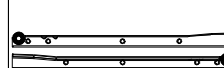
6,3x13 	
F2 x8	Z x4

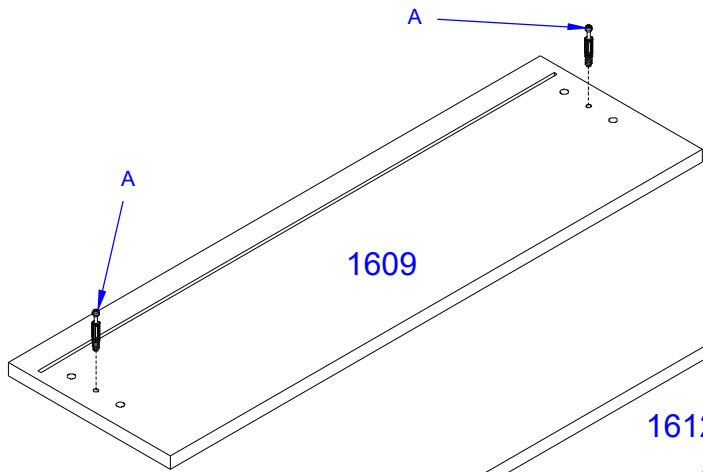


XIV

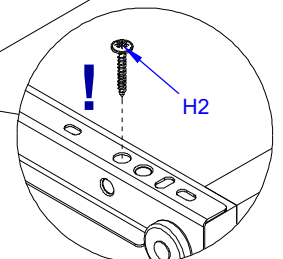
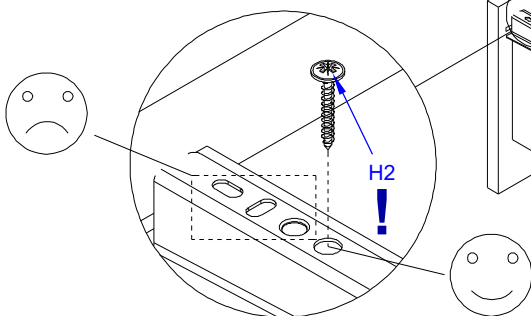
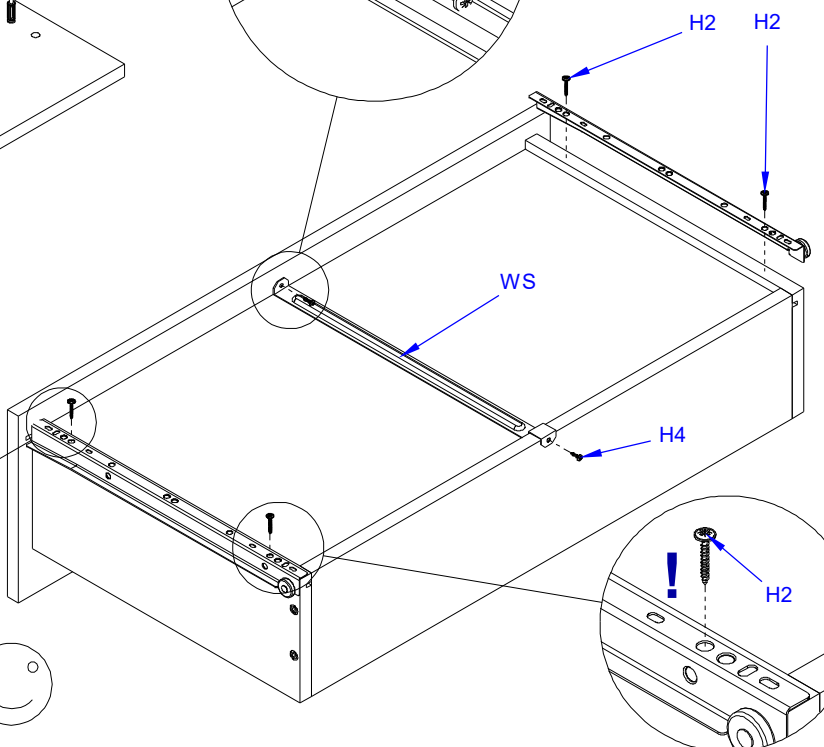
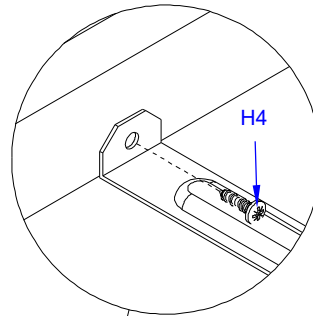
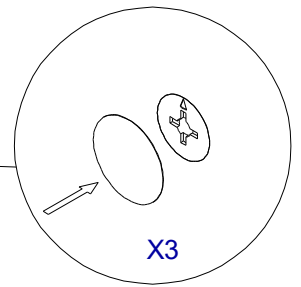
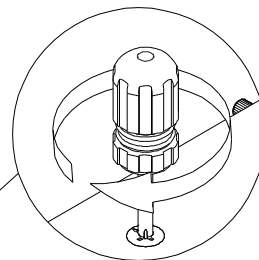
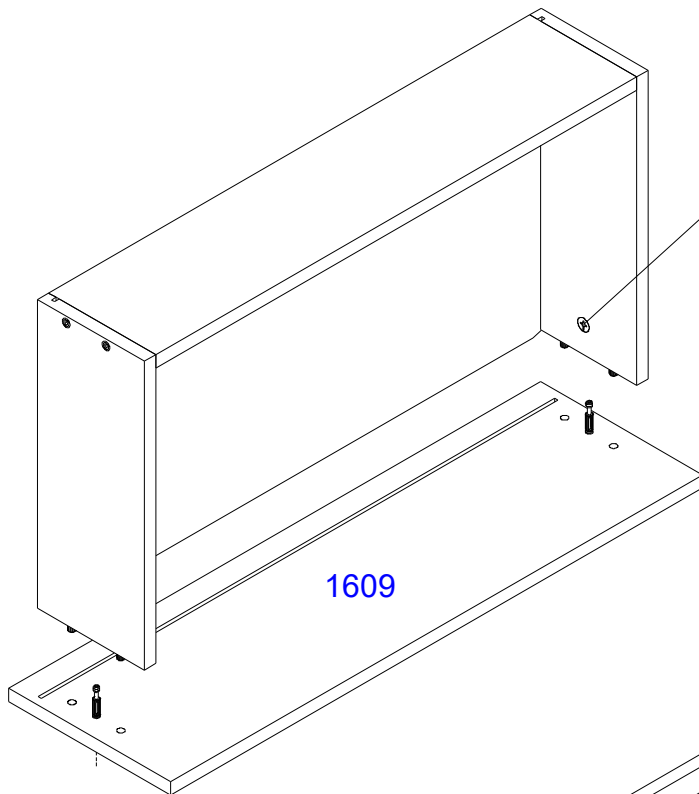
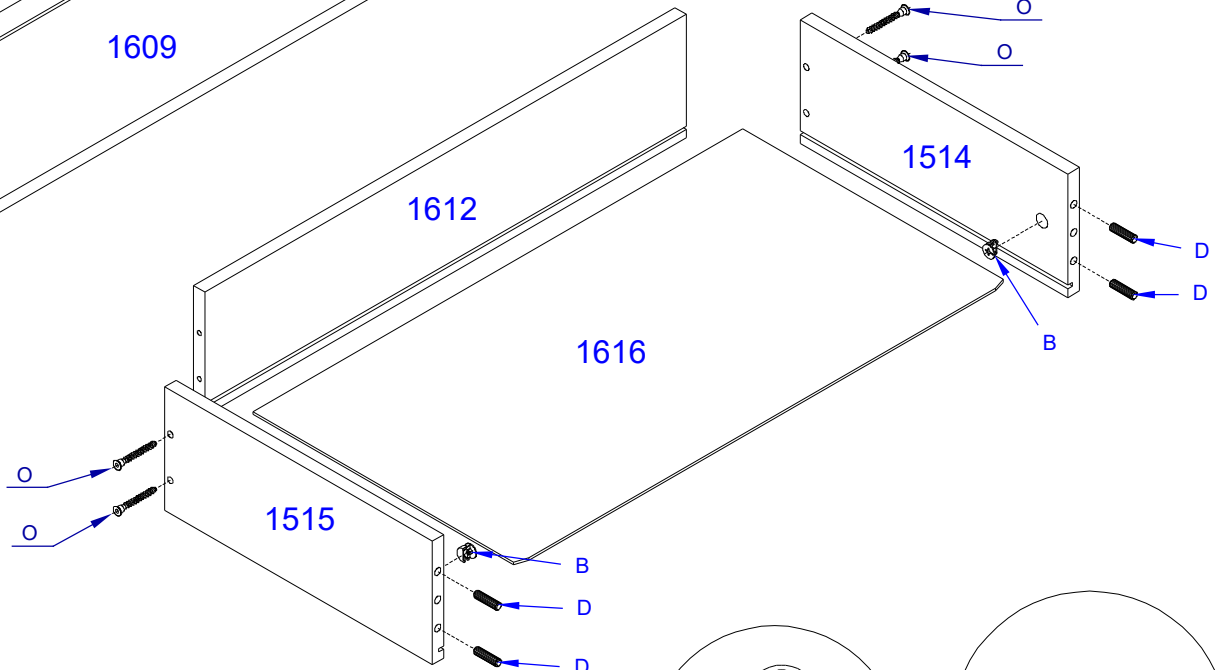


XV

 U x1	 X3 x6	 7x50 O x12	 D x12	 B x6	 A x6
 WS x3	 H2 3x20 x12	 H4 3x13 x6	 PR x3		



3x



XVI

MS
x1

