


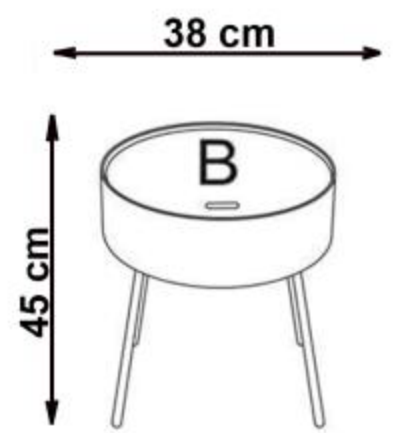


A		1
B		1
C		4



 max. 20 kg

