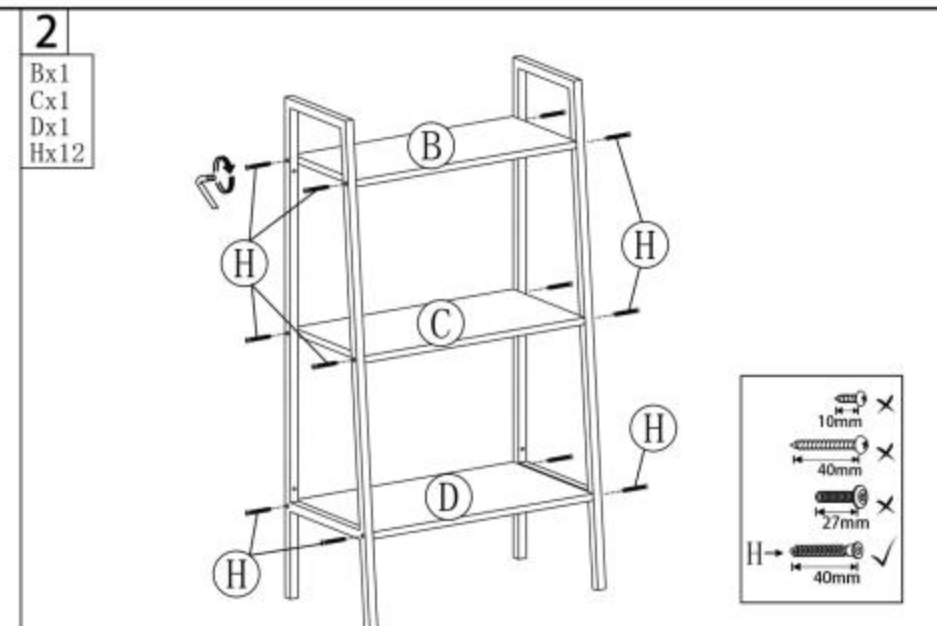
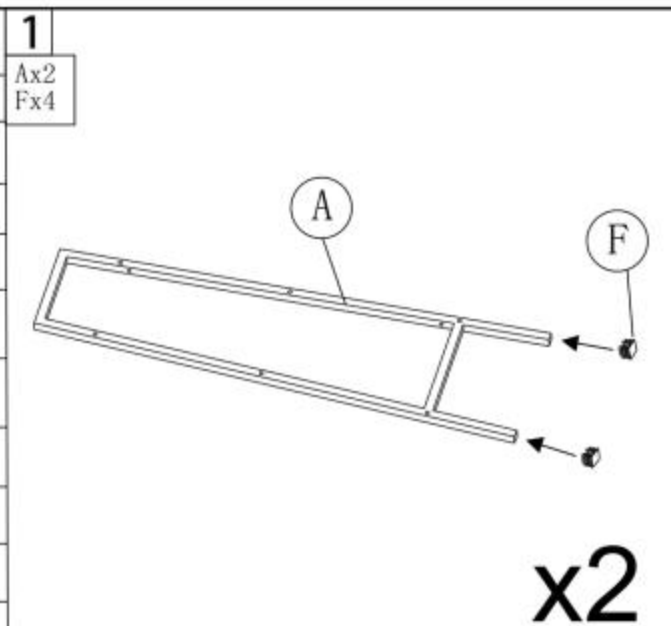


NO.	Qty	Sketch
A	2	
B	1	
C	1	
D	1	
E	1	
F	4	
G	4	
H	12	
I	4	
J	1	
K	1	
L	1	
M	1	
N	1	
O	1	



**3**  
Ex1  
Gx4  
Ix4

Legend:  
 10mm ✗  
 40mm ✗  
 27mm ✗  
 40mm ✓

