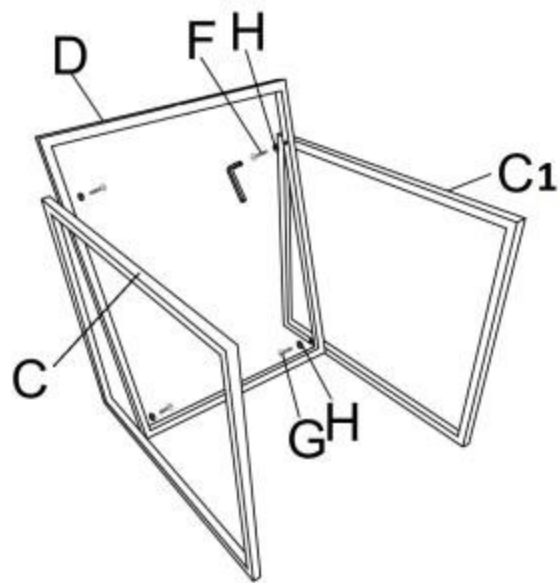
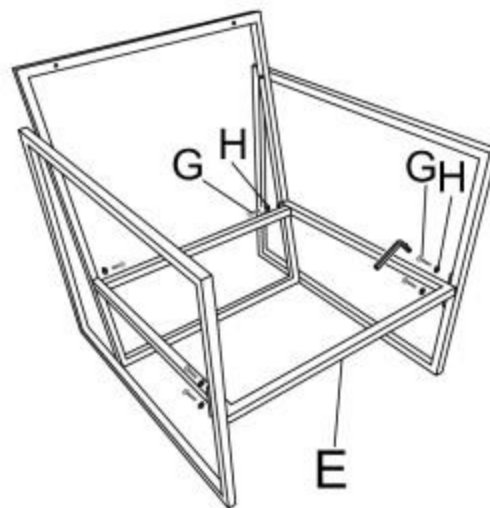
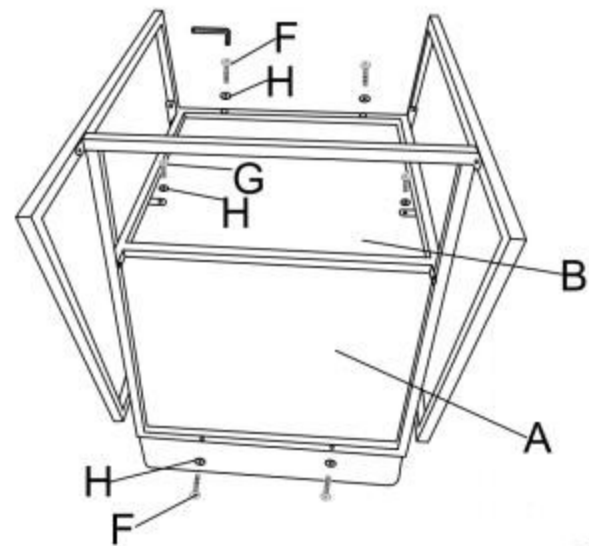


1**2****3**

Ax1	Bx1	Cx1	C1x1	Dx1	Ex1	Fx6	Gx10	Hx16

max. 120 kg