





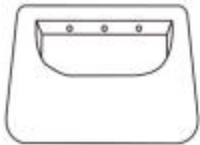

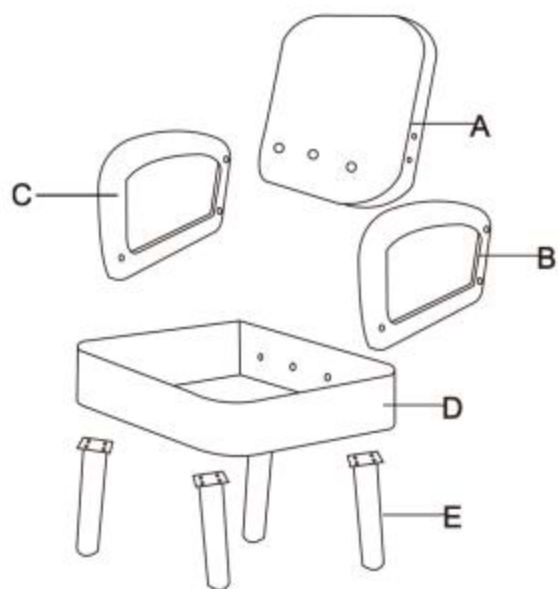
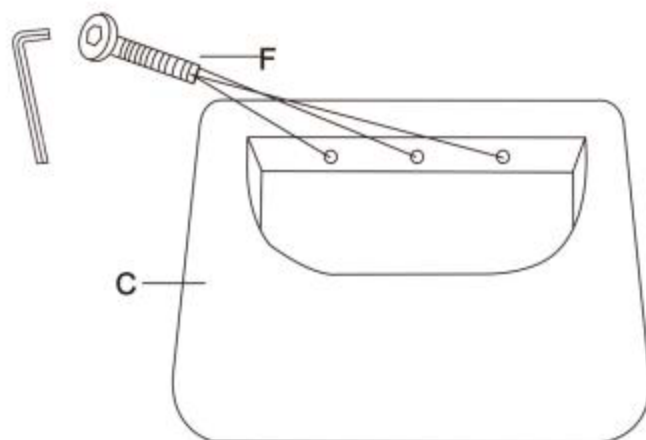




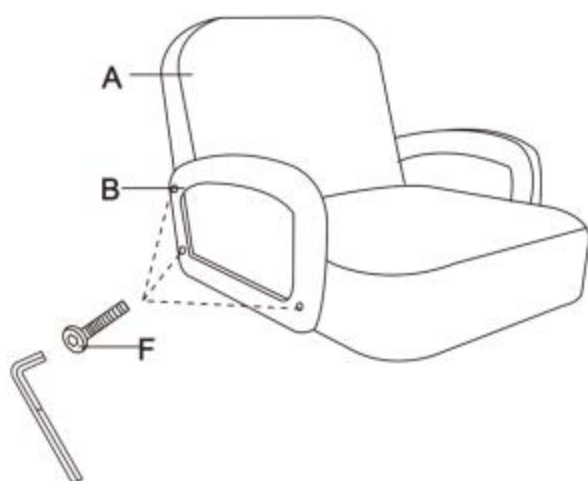
Ax1 	Ex4 
Bx1 	Fx9 
Cx1 	G X 16 
Dx 	



1:



2:



3:

