
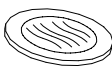


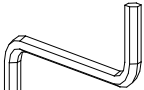
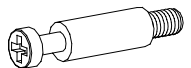


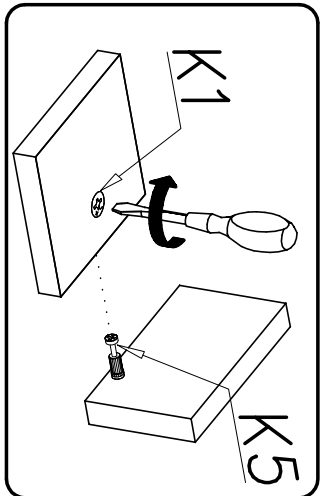
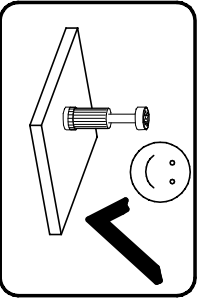
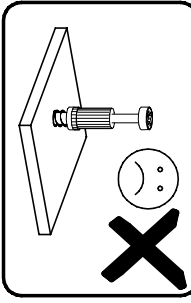
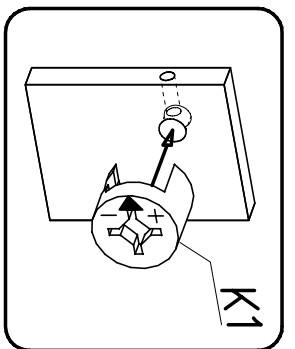
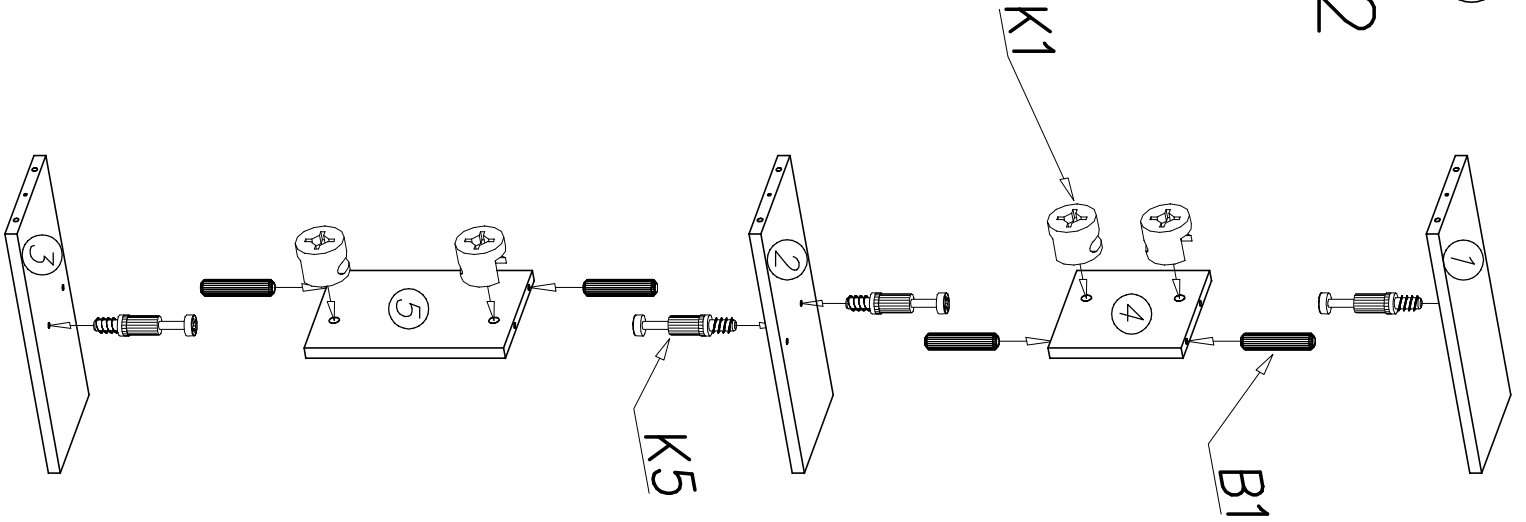


<b>B1</b>  ø8x35 x44	<b>I8</b>  ø20 x16	<b>I7</b>  ø18 x4		
<b>K1</b>  ø15x12 x28	<b>W2</b> 4mm  x1	<b>K5</b>  x28	<b>W4</b>  x16	<b>P7</b>  x8

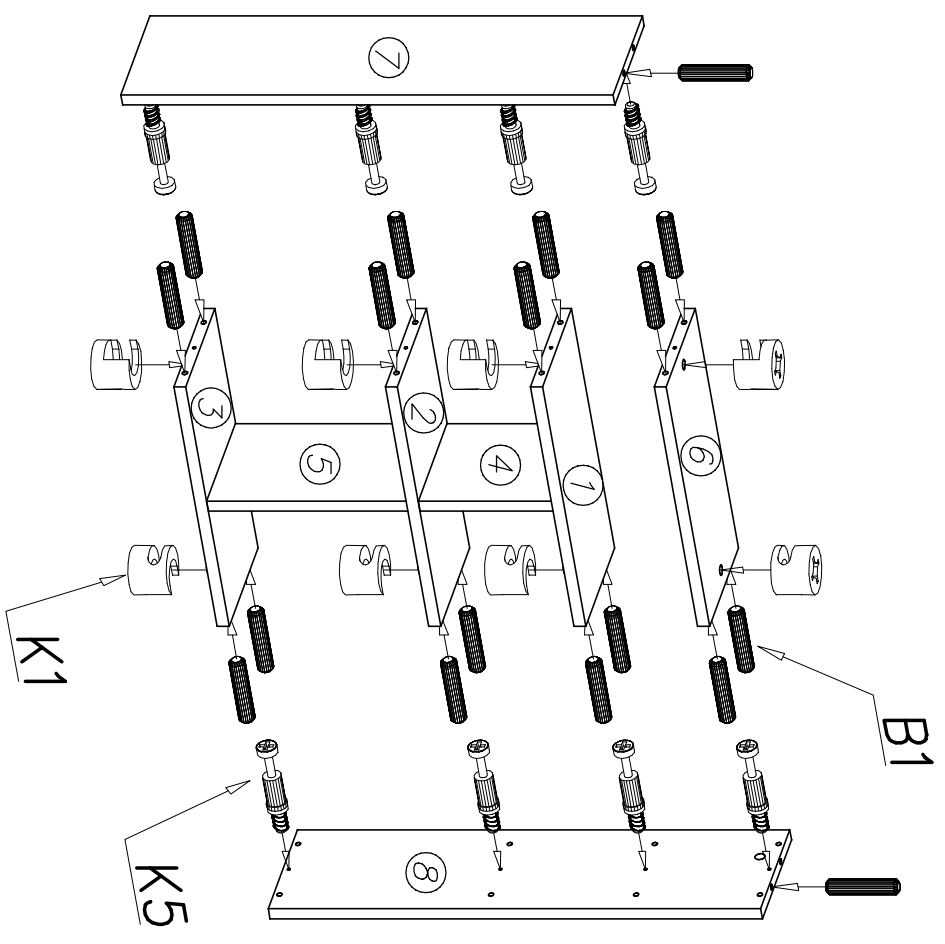
1

x2

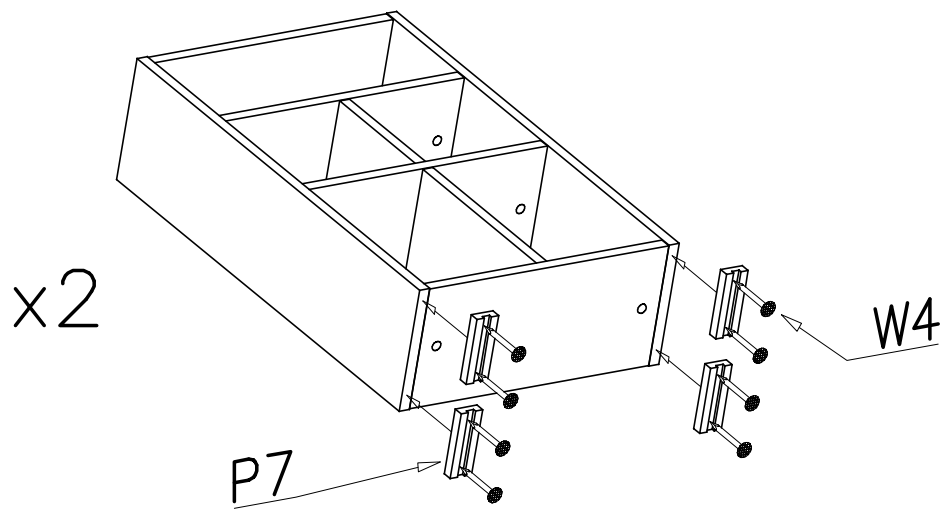


2

x2



3



4

