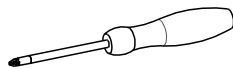
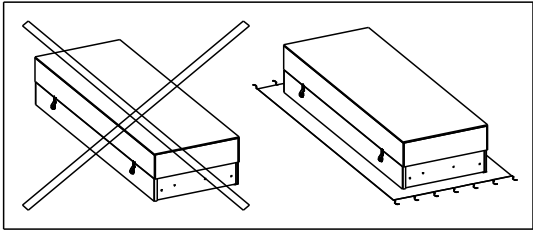


10" + 13"

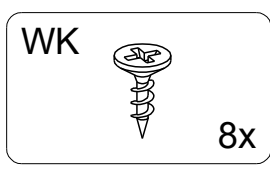
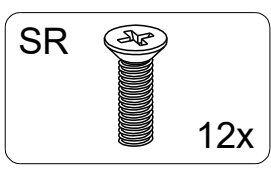
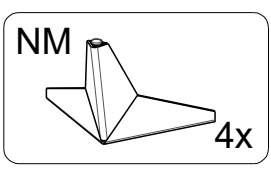
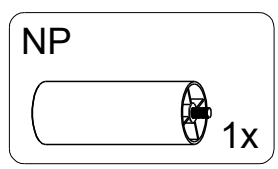
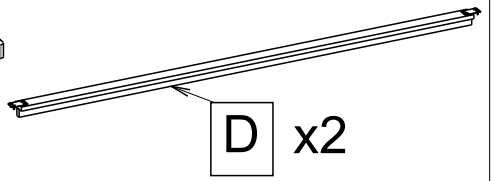
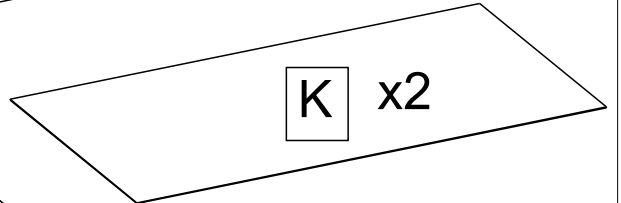
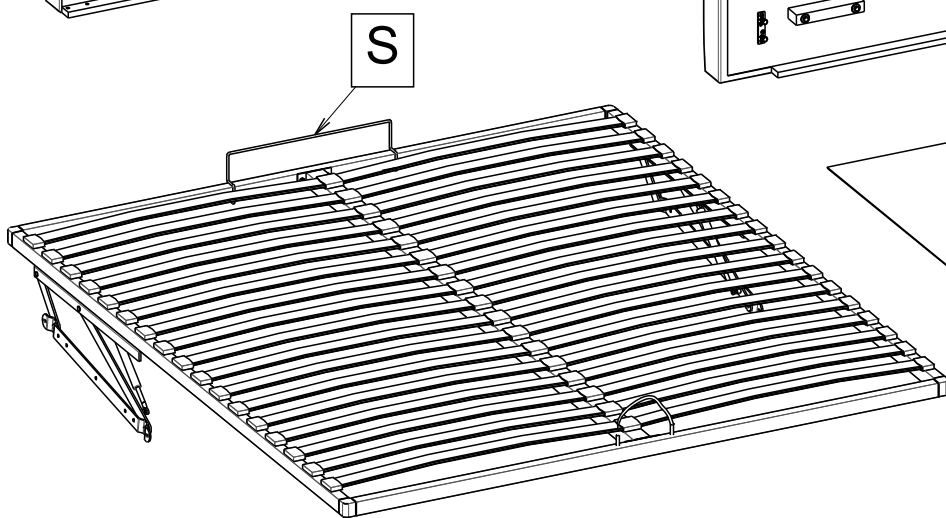
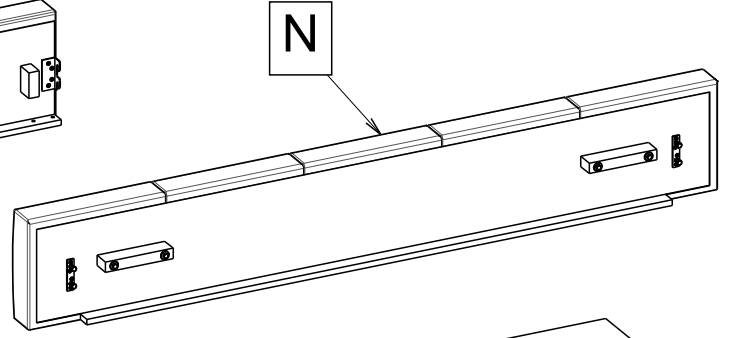
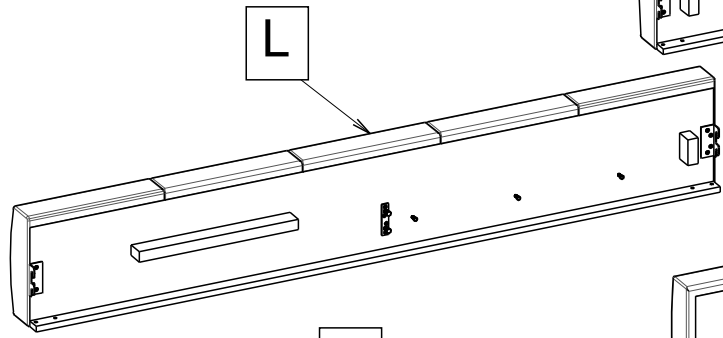
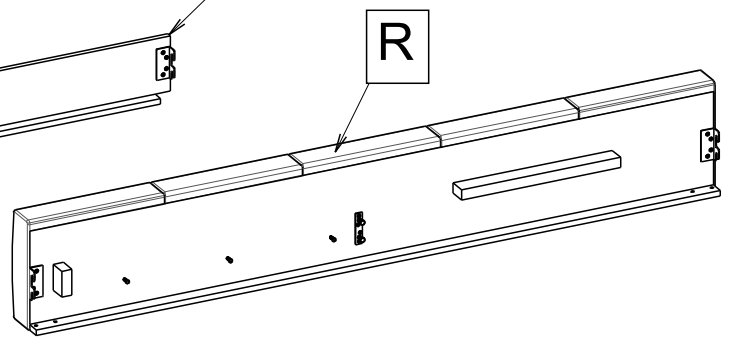
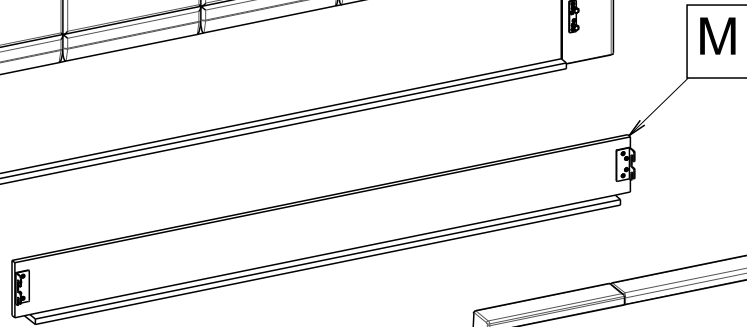
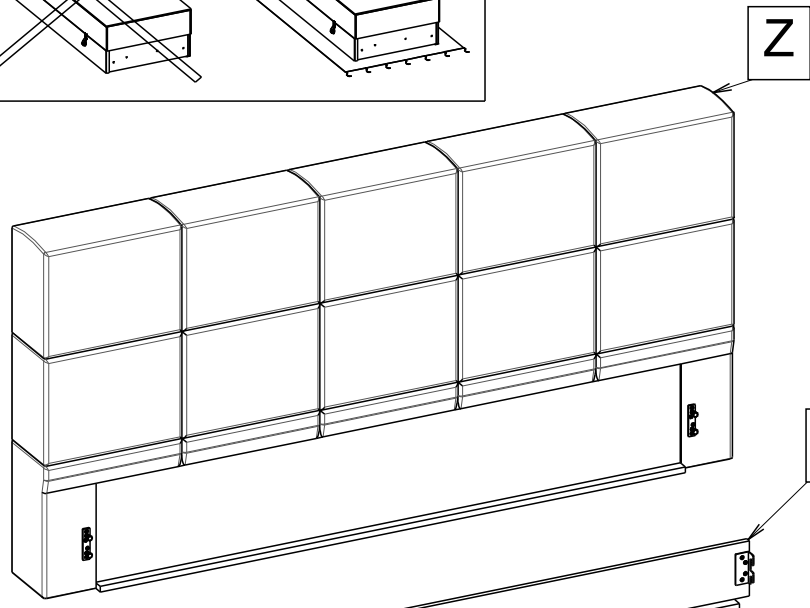


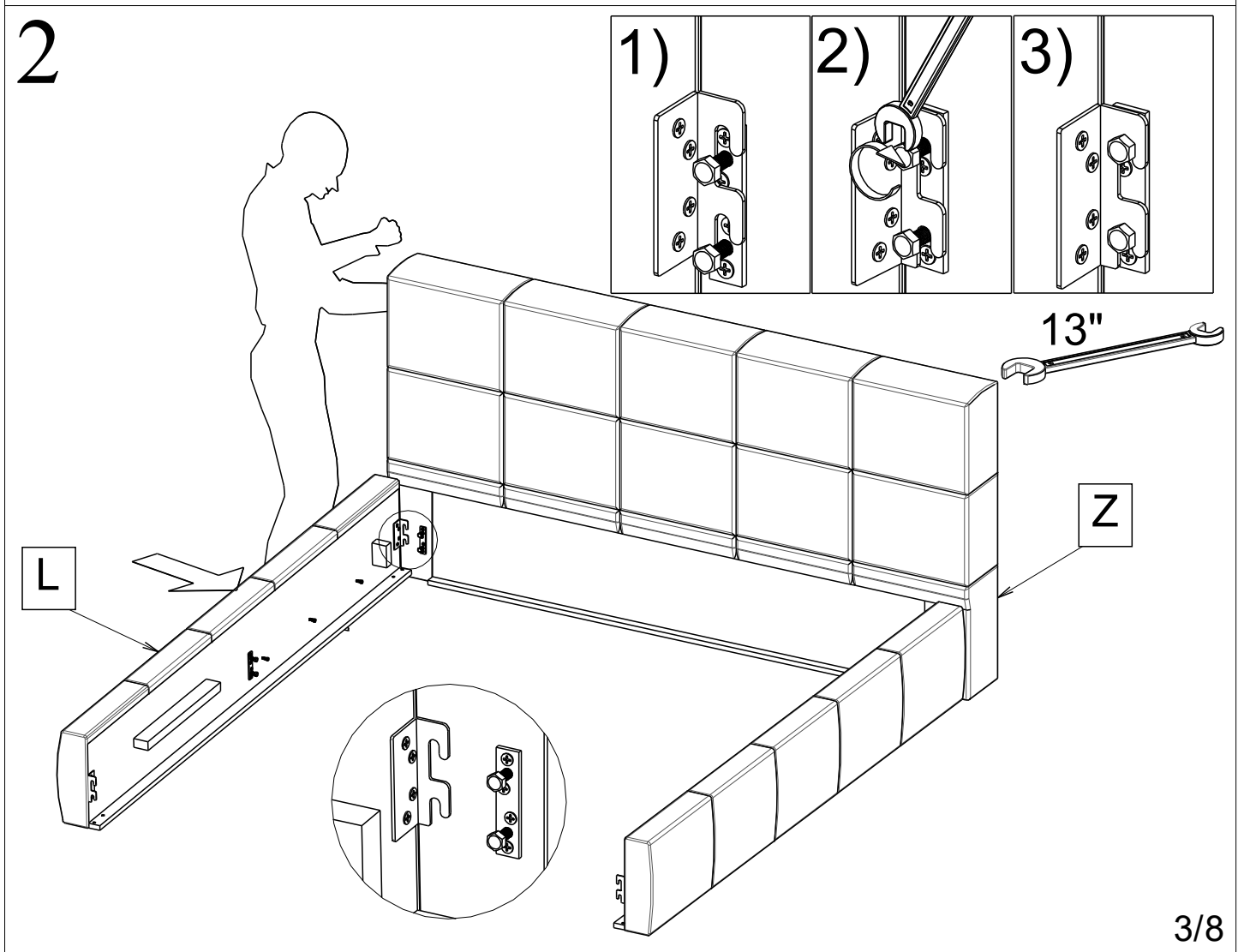
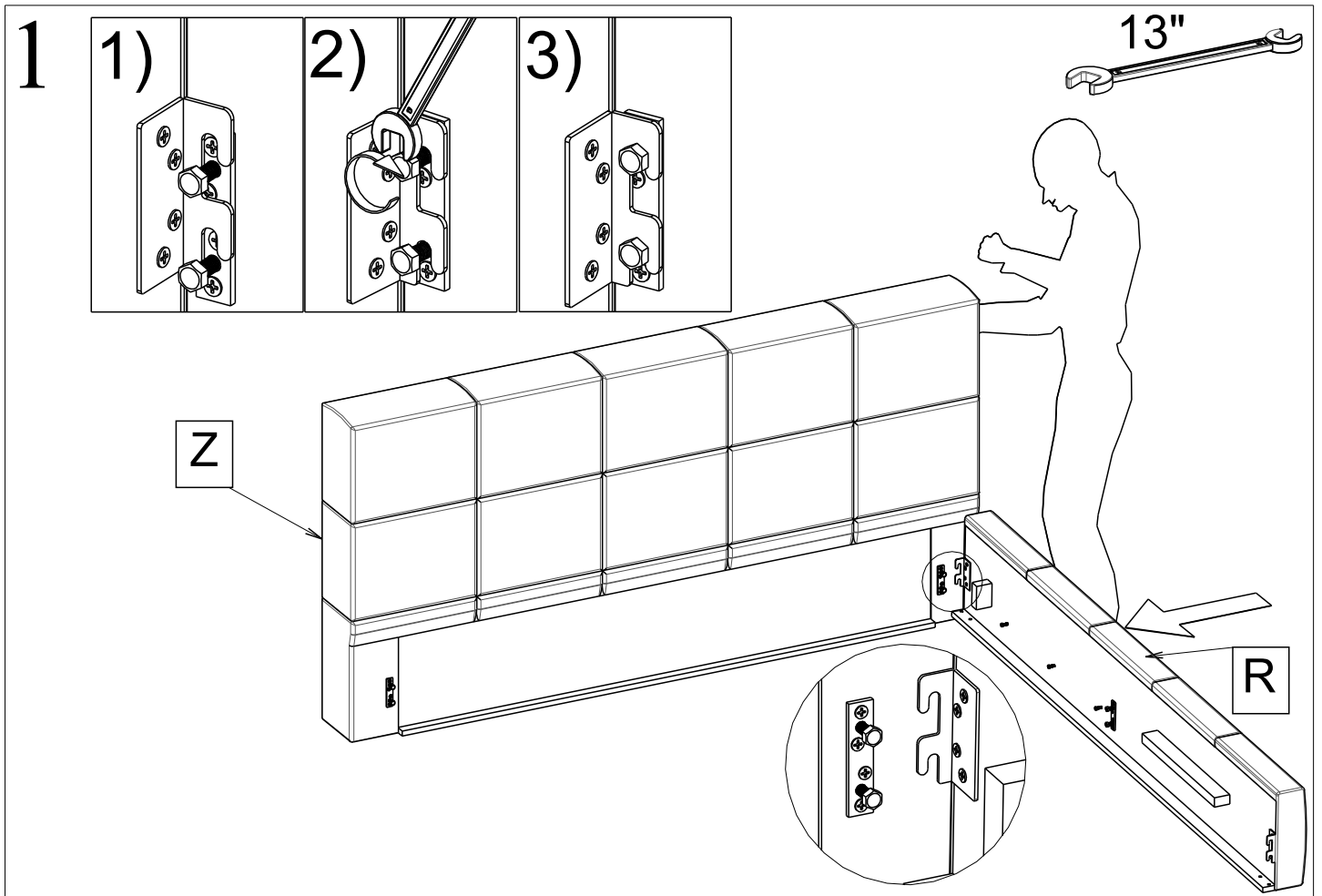
45min

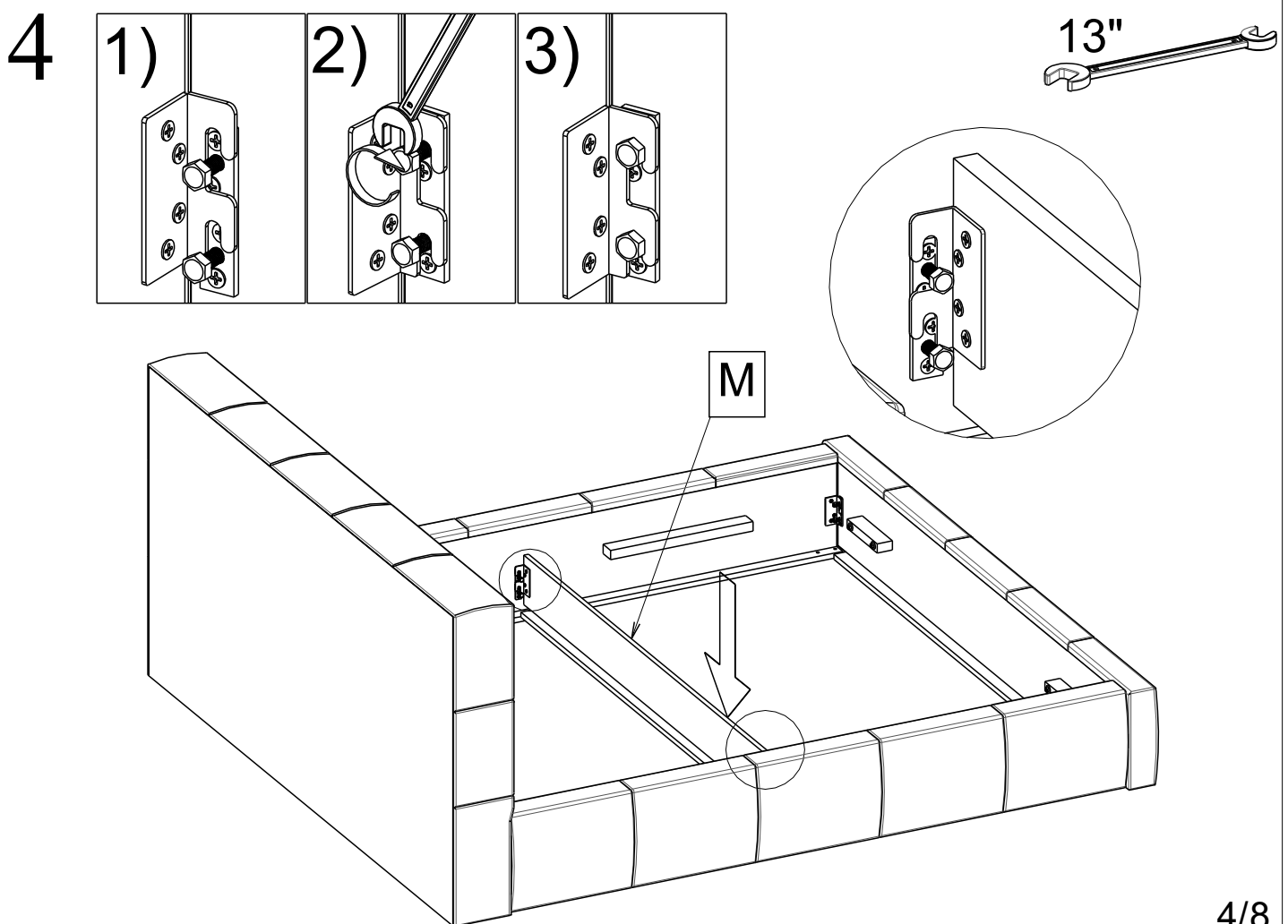
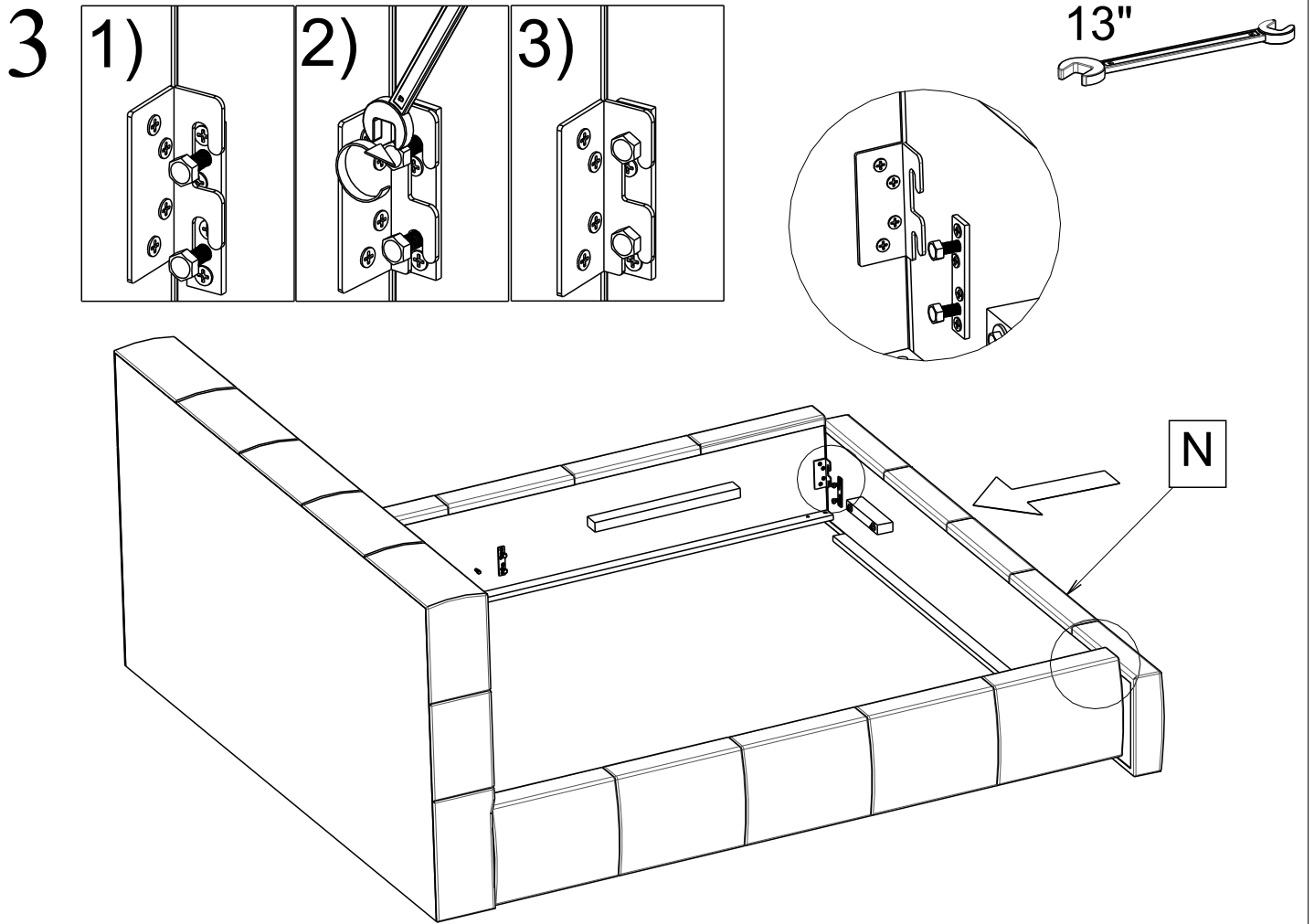
1/8



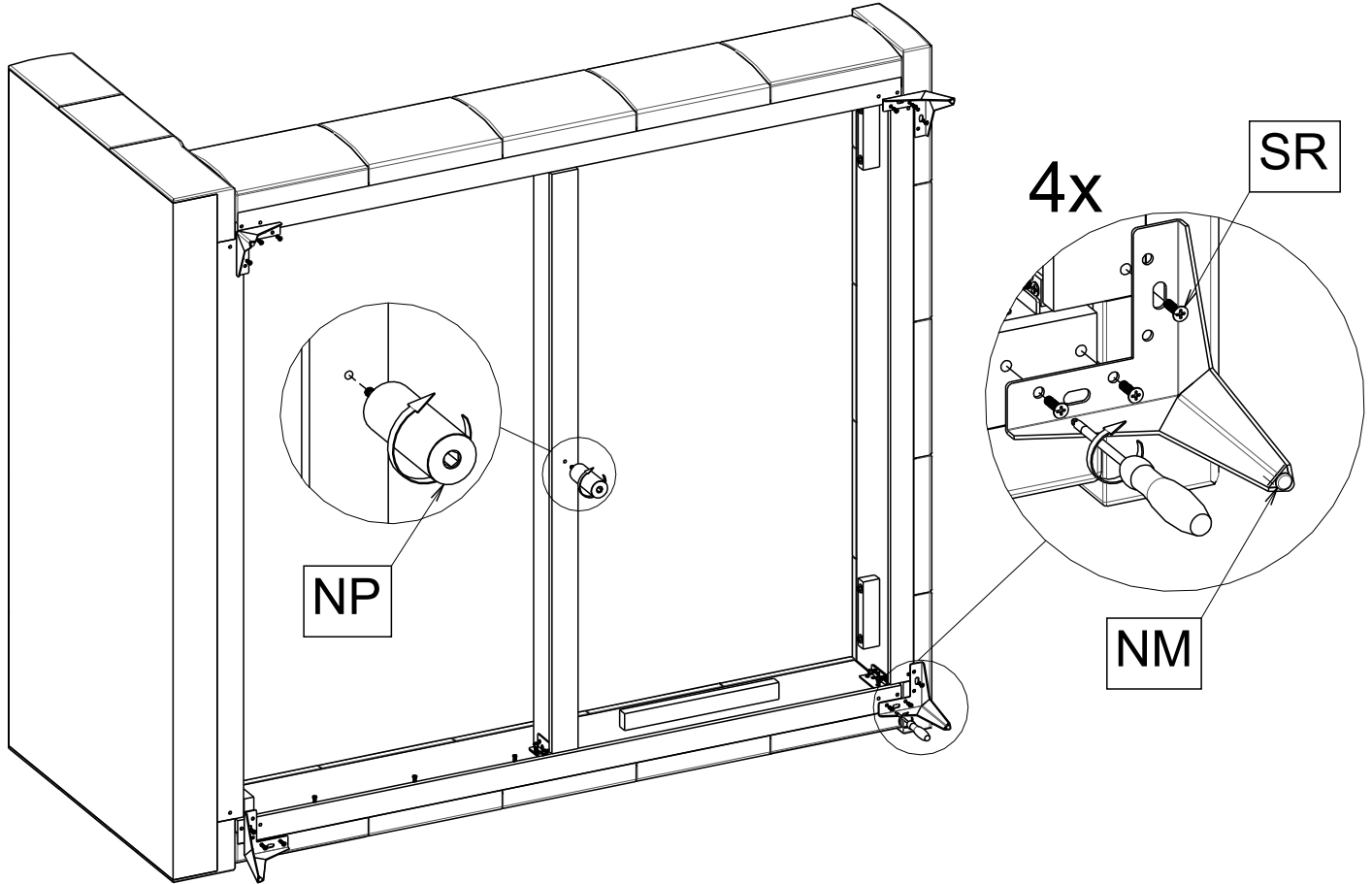
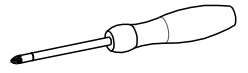
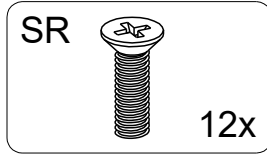
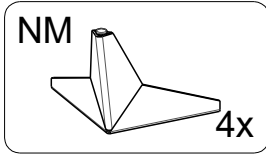
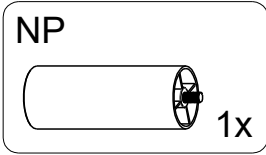
| | |
|---|----|
| Z | 1x |
| M | 1x |
| N | 1x |
| R | 1x |
| L | 1x |
| S | 1x |
| K | 2x |
| D | 2x |



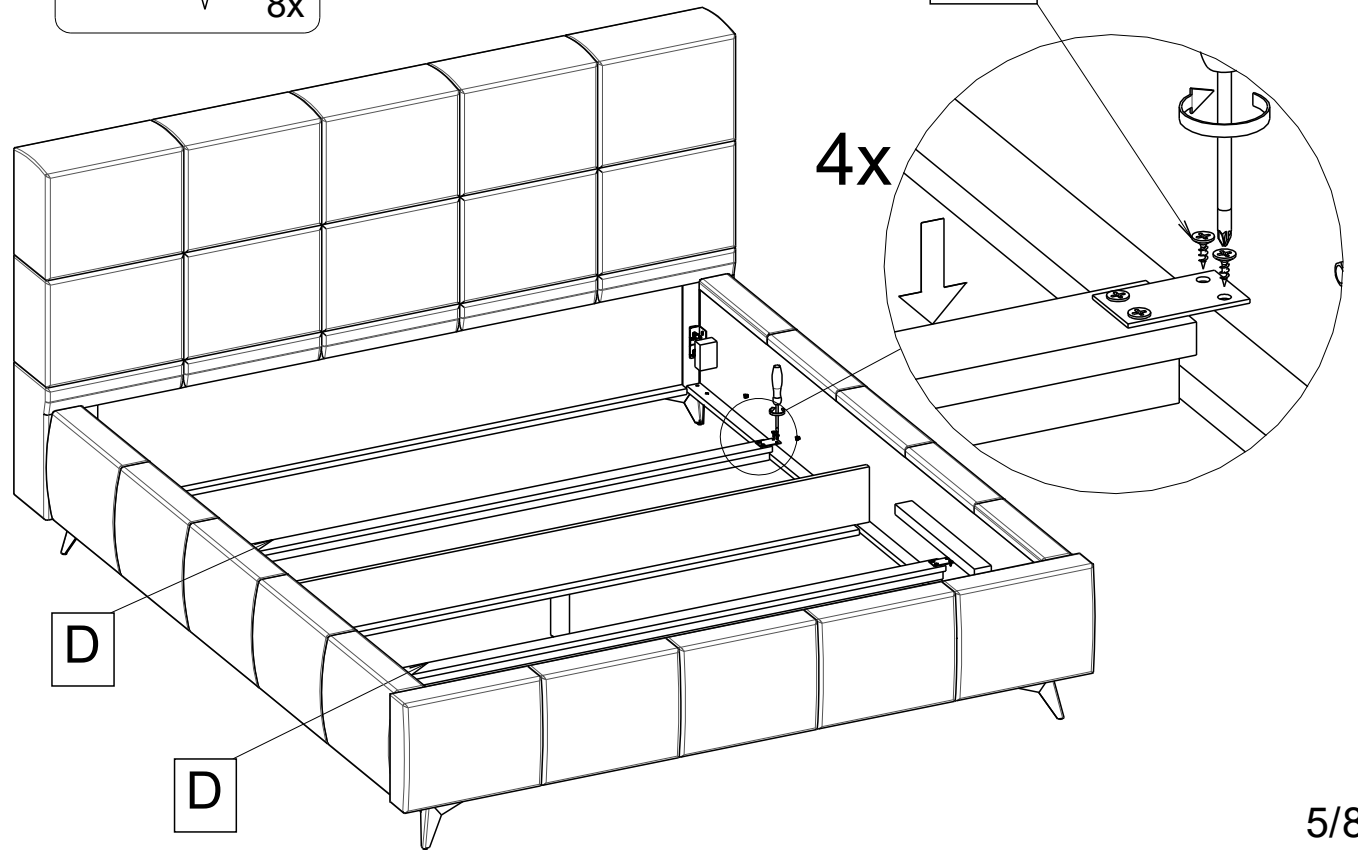
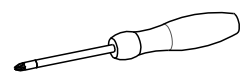
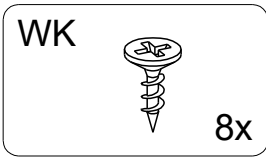




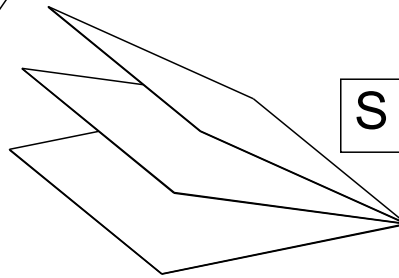
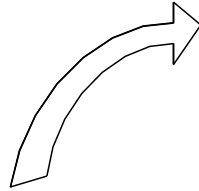
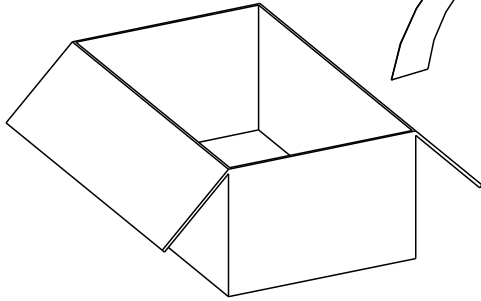
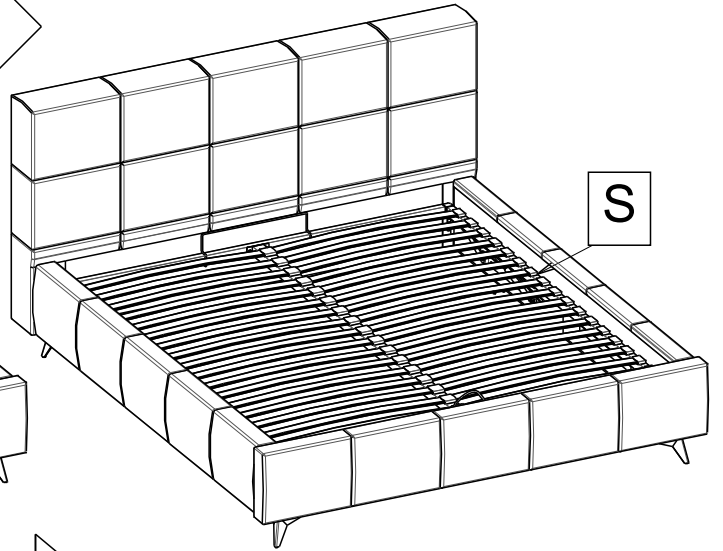
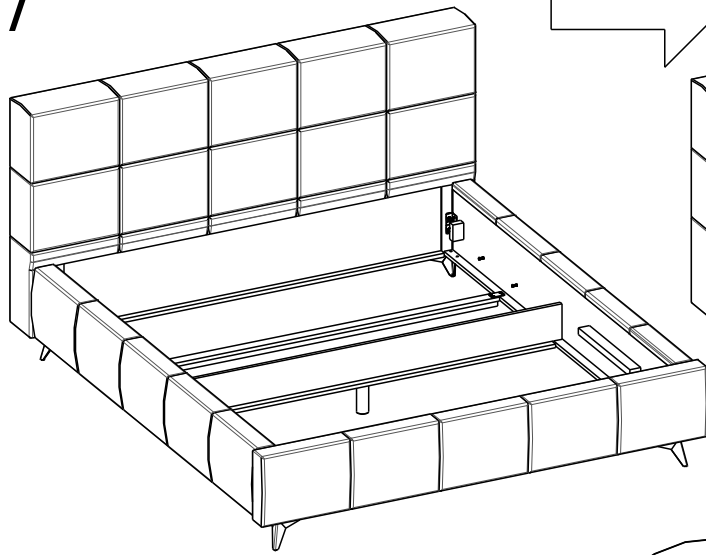
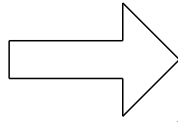
5



6

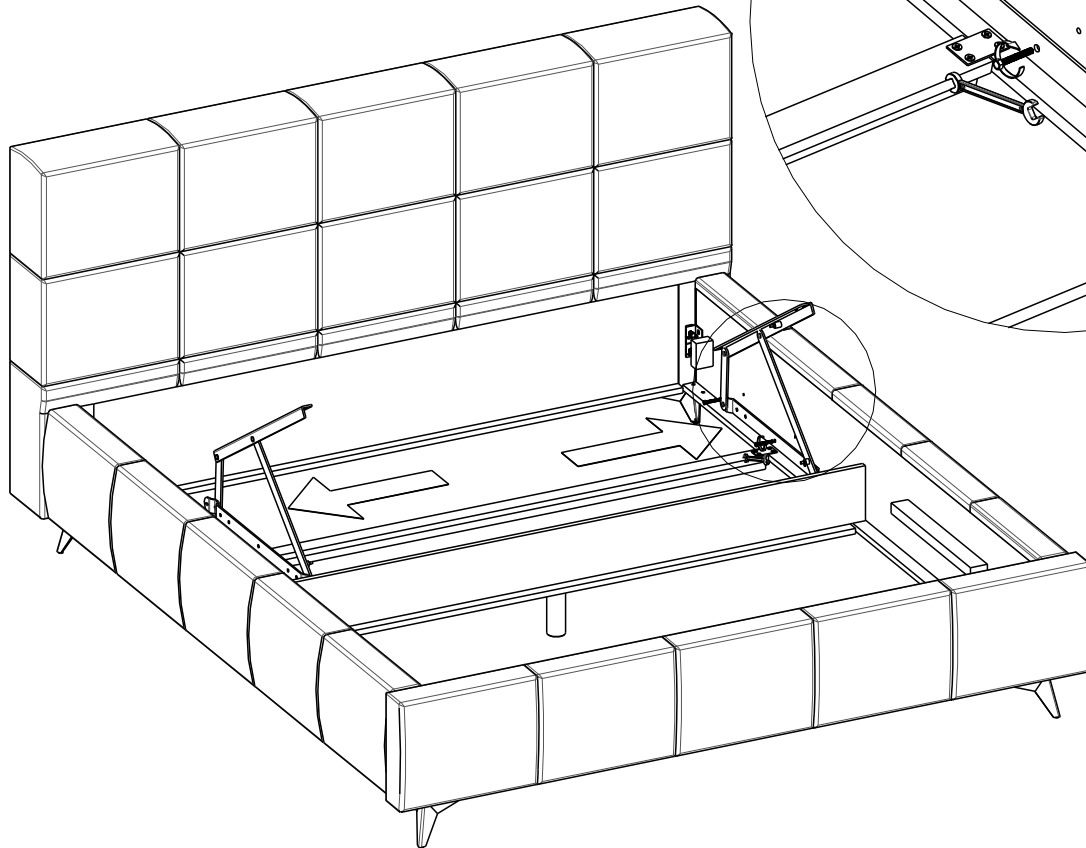
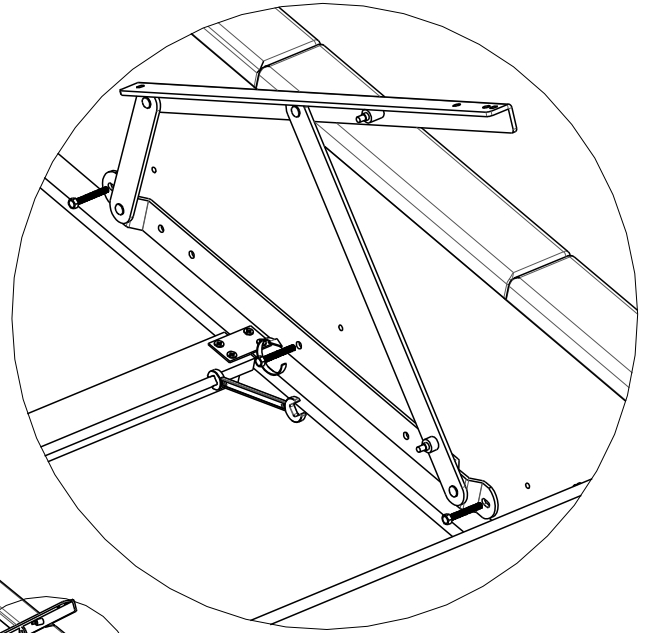


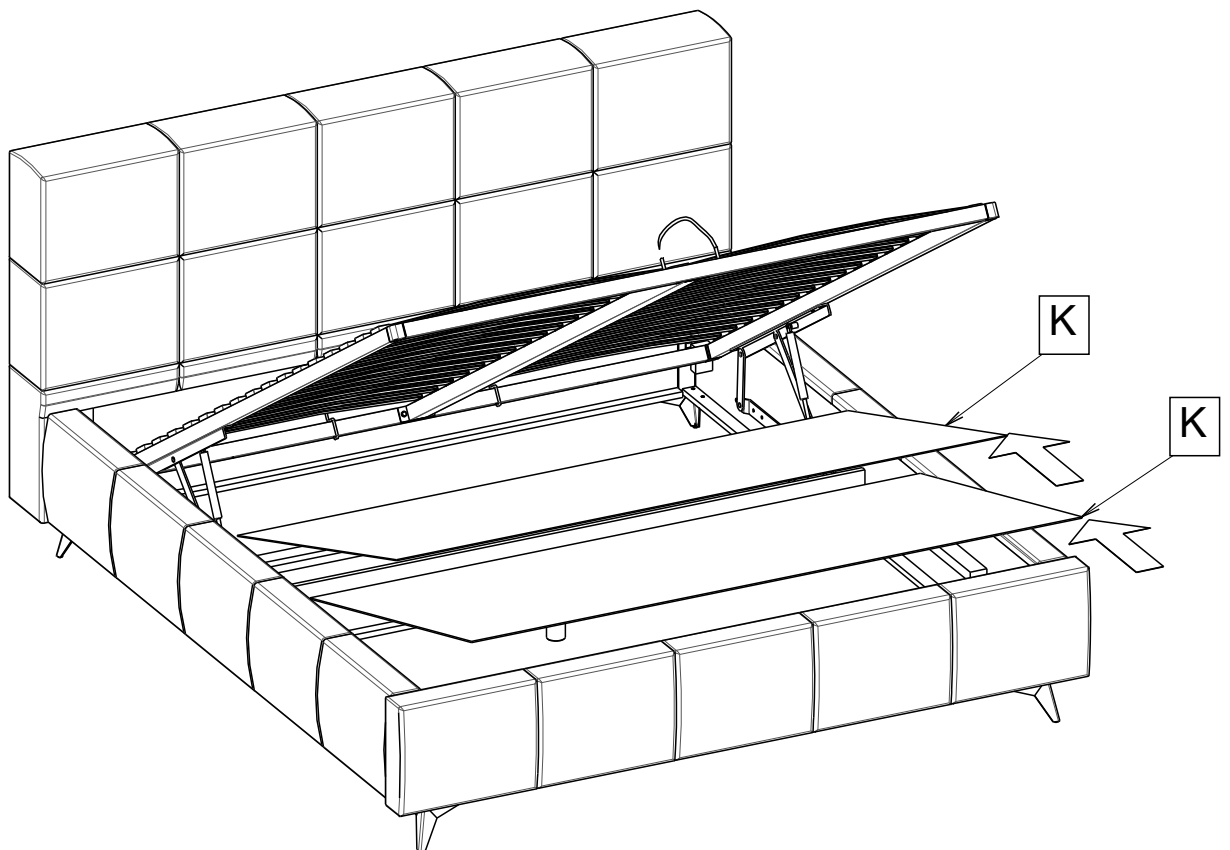
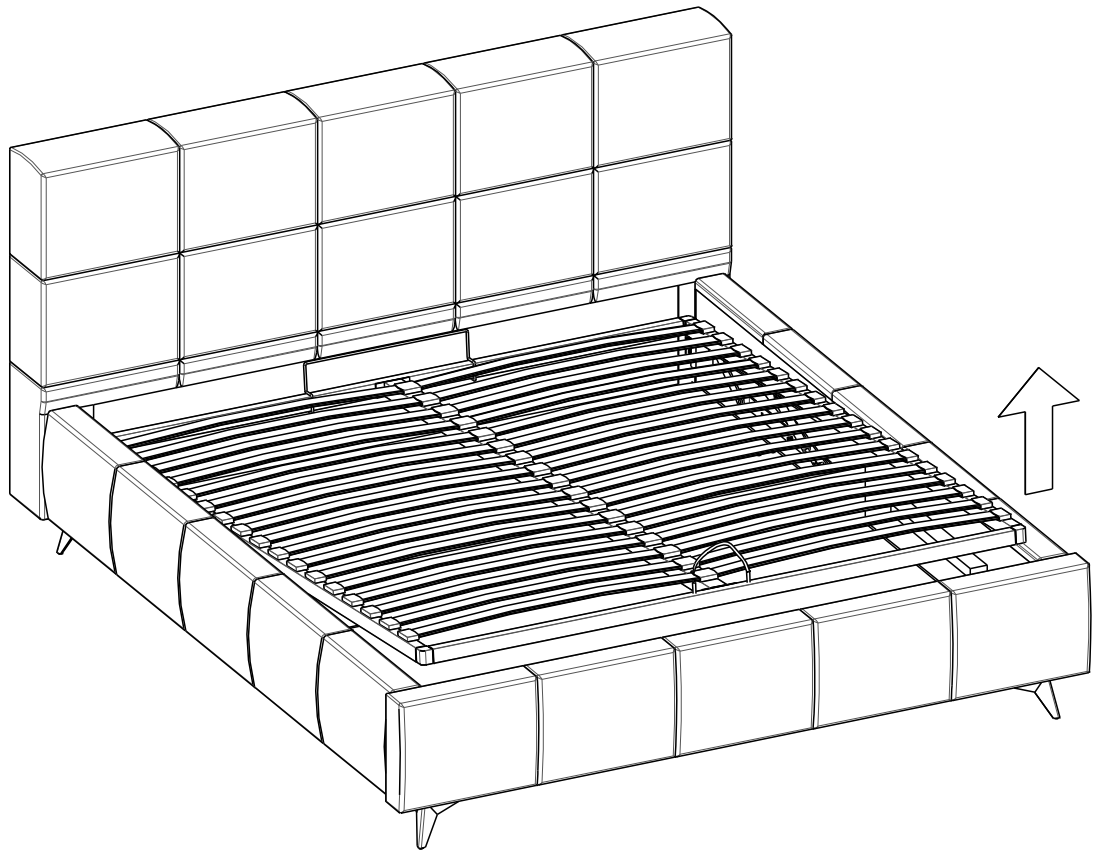
7



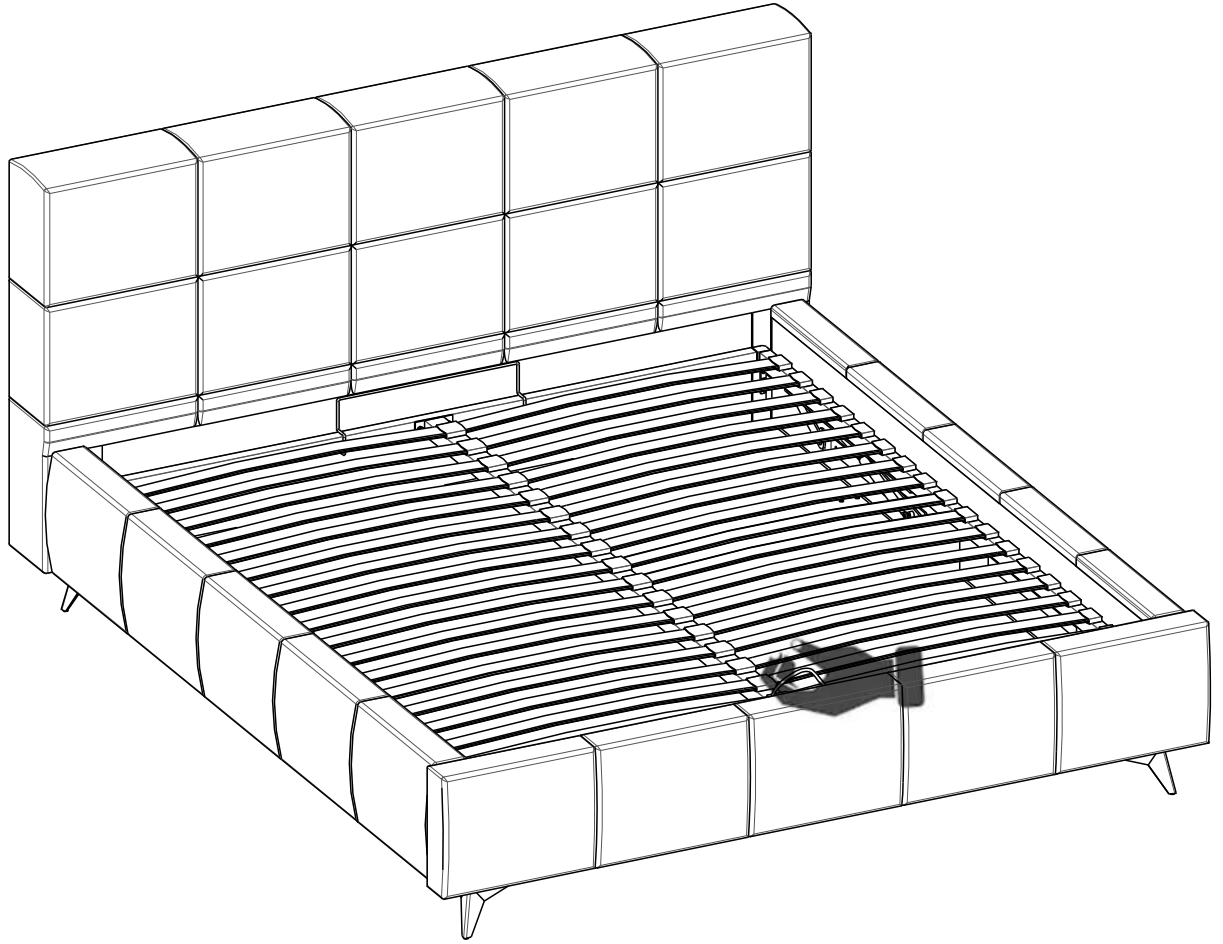
!

10"





A



B

