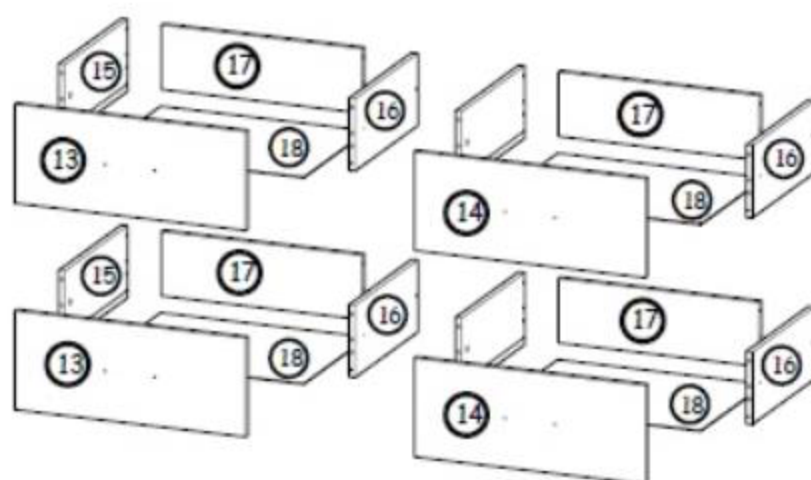
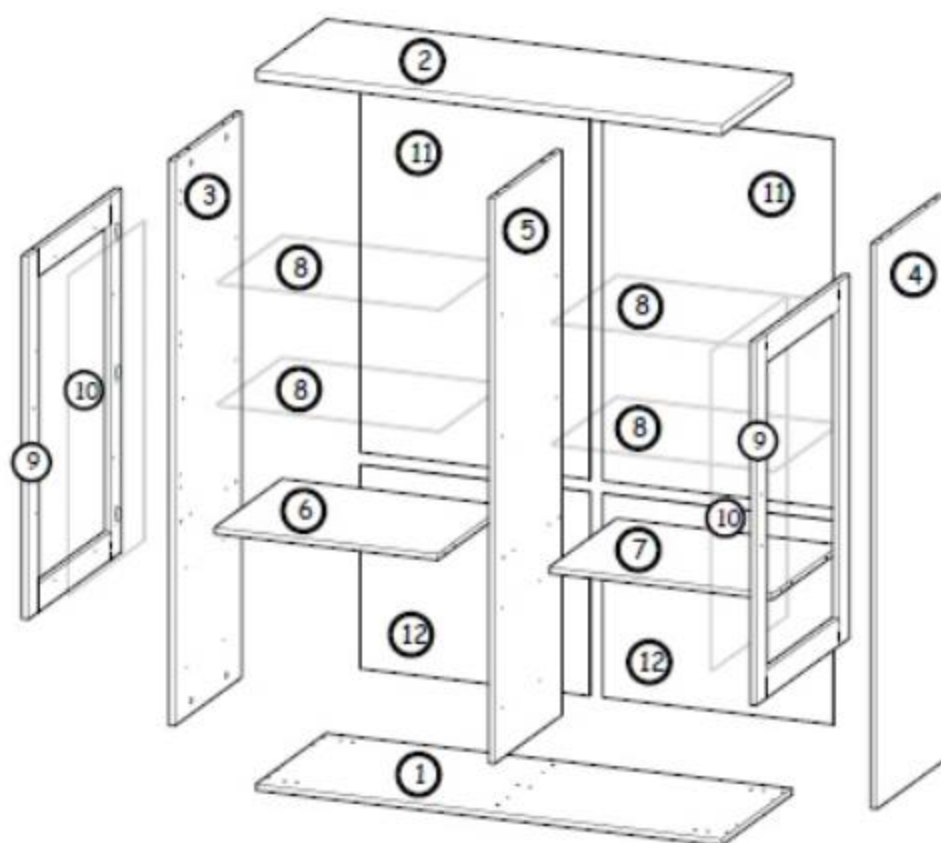
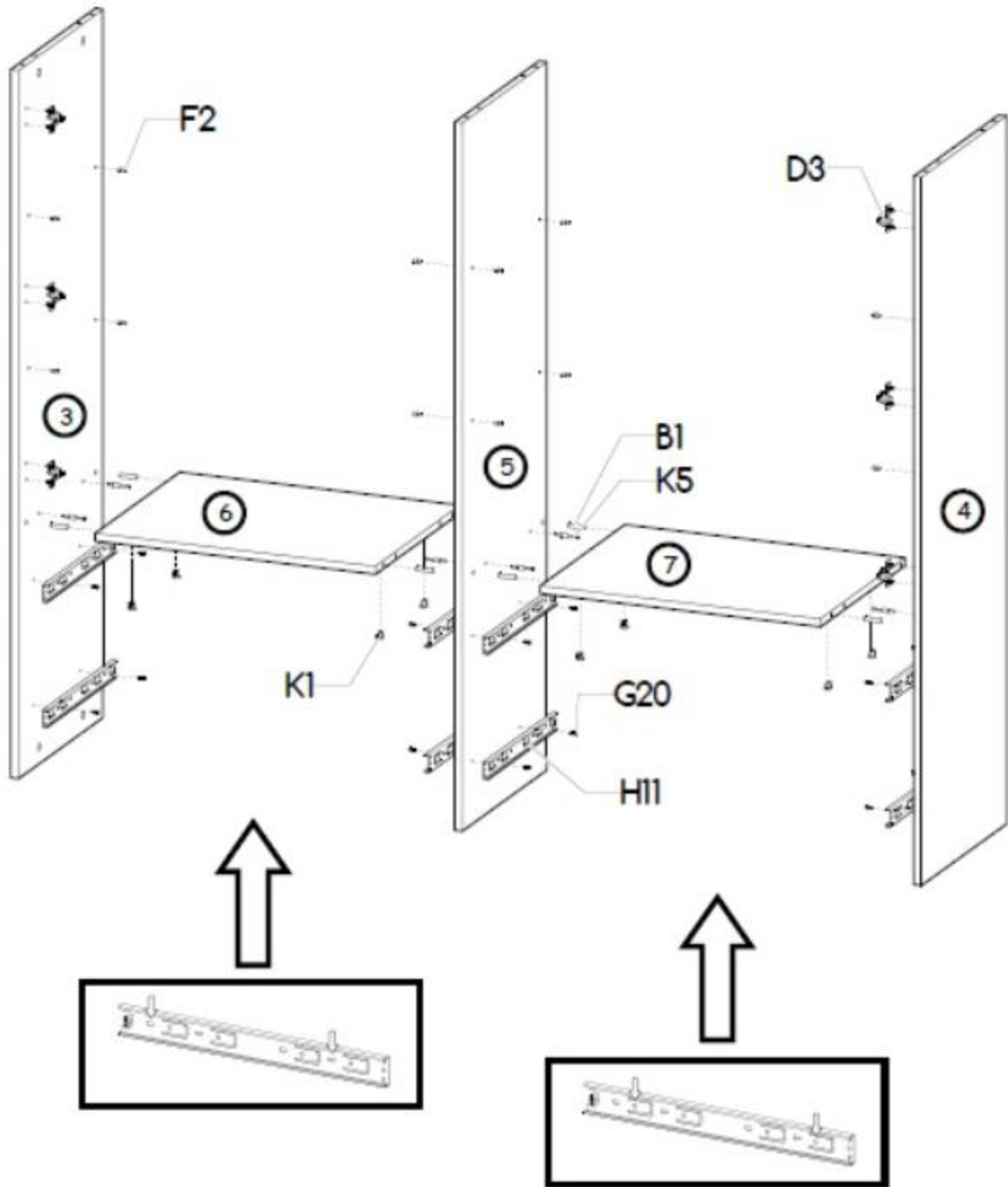


Nr	Xmm	Ymm	Zmm	x
1	1200	450	16	1
2	1200	450	25	1
3	1410	432	16	1
4	1410	432	16	1
5	1410	429	16	1
6	575	429	16	1
7	575	429	16	1
8	573	414	6	4
9	907	595	16	2
10	797	485	4	2
11	921	593	2,5	2
12	509	593	2,5	2
13	995	246	16	2
14	995	246	16	2
15	400	180	16	4
16	400	180	16	4
17	517	160	16	4
18	406	533	2,5	4

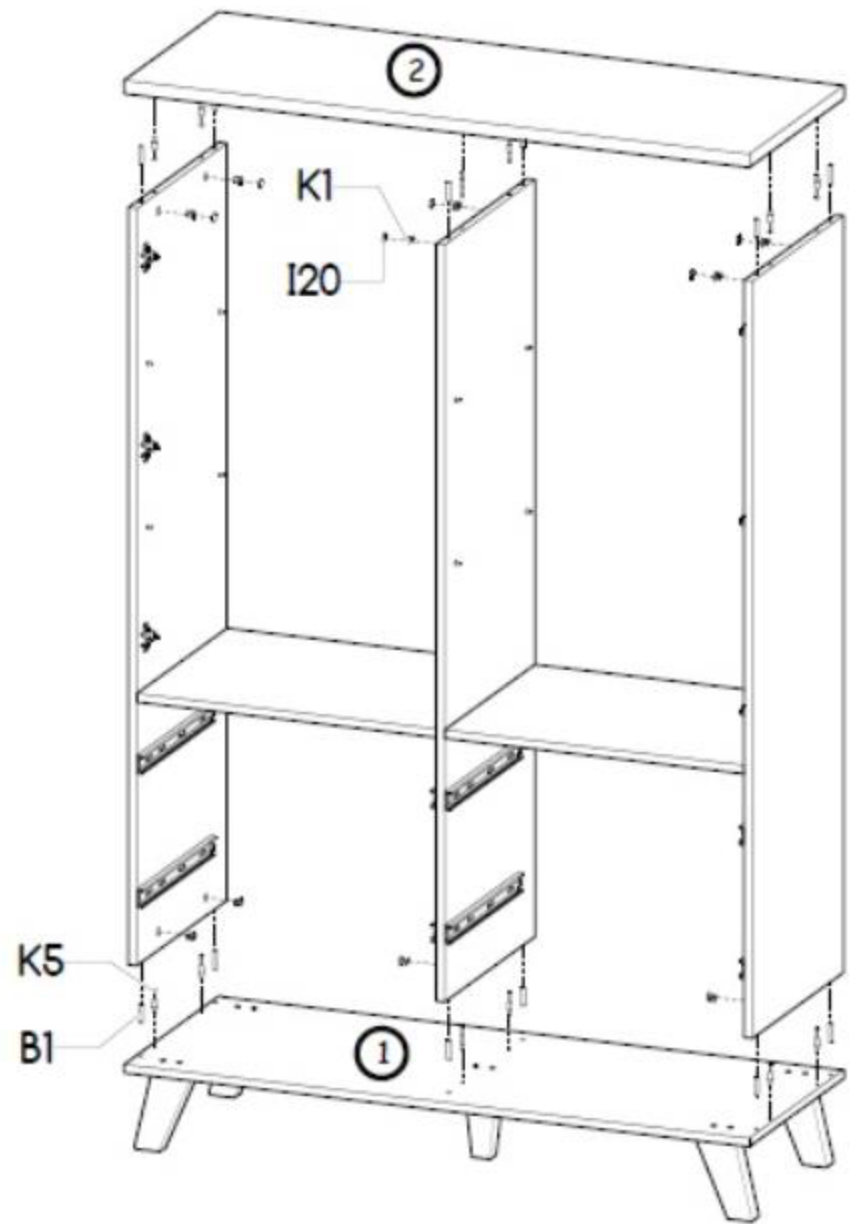


<b>E43</b> 6x 160mm 	<b>N15</b> 12x M4x25 	<b>W4</b> 112x 	<b>S2</b> 28x ø20x2 	<b>U10</b> 1x 	<b>H11</b> 8x 350mm 
<b>G20</b> 32x ø5x13 	<b>B1</b> 52x ø8x35 	<b>K5</b> 28x 34mm 	<b>K1</b> 28x ø15x12 	<b>I20</b> 14x ø4/ø17 	<b>A1</b> 18x ø7x50 
<b>P28</b> 1x H150m 	<b>F2</b> 16x ø5 	<b>P29</b> 4x H150m 	<b>W2</b> 1x 4mm 	<b>I2</b> 16x 	<b>G2</b> 16x 3x20 
<b>D3</b> 6x PZ35PR 	<b>C3</b> 6x Z35PR 	<b>G34</b> 12x 3,5x16 			

III



IV

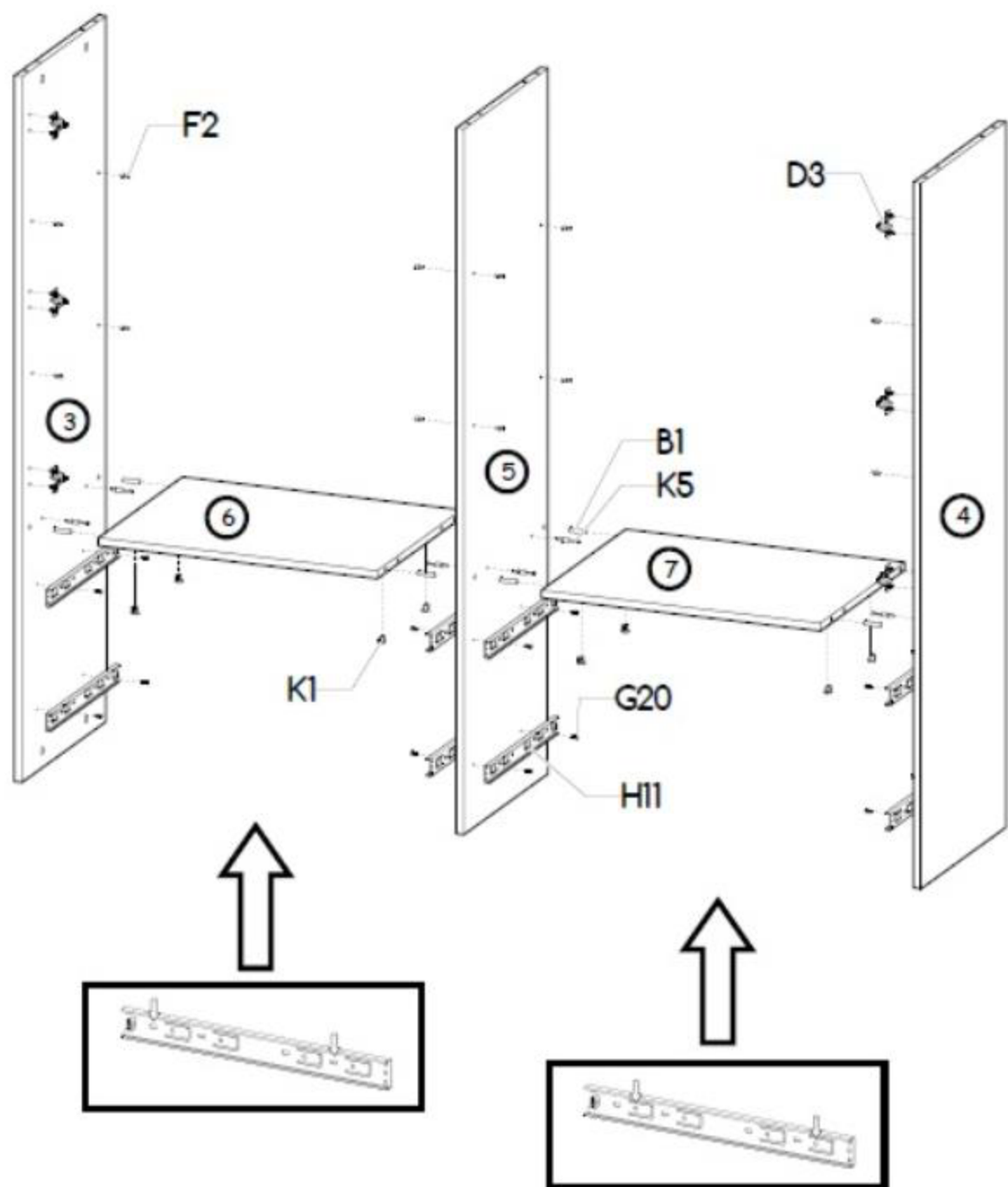


[ 6 ]

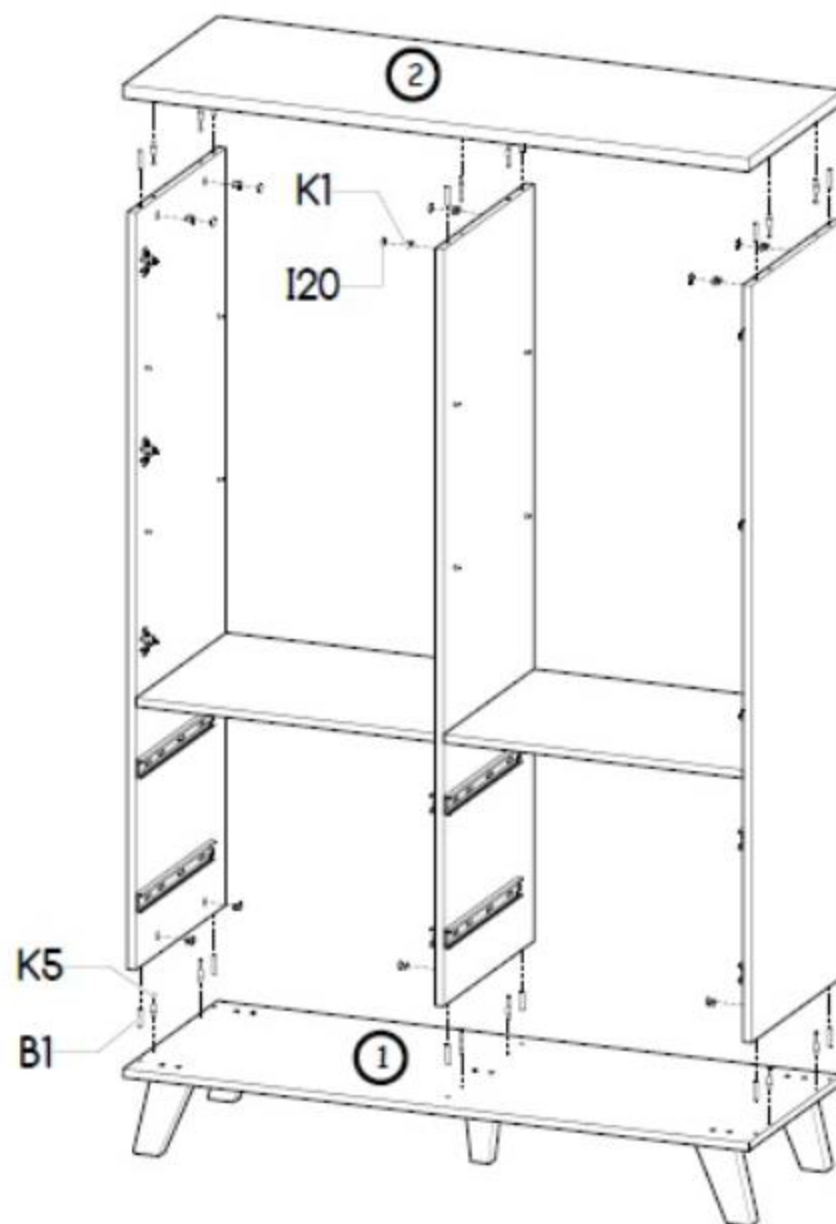
<b>E43</b> 6x 160mm 	<b>N15</b> 12x M4x25 	<b>W4</b> 112x 	<b>S2</b> 28x ø20x2 	<b>U10</b> 1x 	<b>H11</b> 8x 350mm 
<b>G20</b> 32x ø5x13 	<b>B1</b> 52x ø8x35 	<b>K5</b> 28x 34mm 	<b>K1</b> 28x ø15x12 	<b>I20</b> 14x ø4/ø17 	<b>A1</b> 18x ø7x50 
<b>P28</b> 1x H150m 	<b>F2</b> 16x ø5 	<b>P29</b> 4x H150m 	<b>W2</b> 1x 4mm 	<b>I2</b> 16x 	<b>G2</b> 16x 3x20 
<b>D3</b> 6x PZ35PR 	<b>C3</b> 6x Z35PR 	<b>G34</b> 12x 3,5x16 			

[ 4 ]

III



IV



[ 6 ]

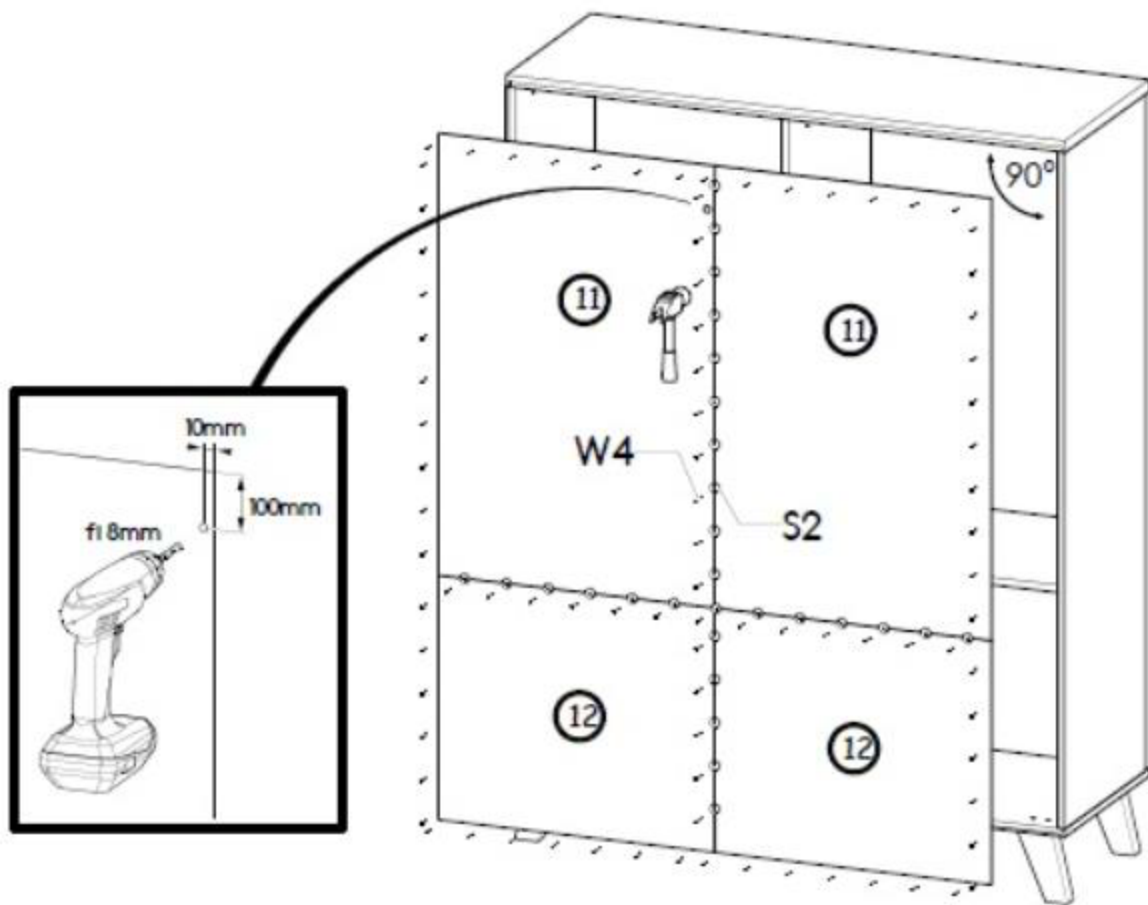
<b>E43</b> 6x 160mm 	<b>N15</b> 12x M4x25 	<b>W4</b> 112x 	<b>S2</b> 28x ø20x2 	<b>U10</b> 1x 	<b>H11</b> 8x 350mm 
<b>G20</b> 32x ø5x13 	<b>B1</b> 52x ø8x35 	<b>K5</b> 28x 34mm 	<b>K1</b> 28x ø15x12 	<b>I20</b> 14x ø4/ø17 	<b>A1</b> 18x ø7x50 
<b>P28</b> 1x H150m 	<b>F2</b> 16x ø5 	<b>P29</b> 4x H150m 	<b>W2</b> 1x 4mm 	<b>I2</b> 16x 	<b>G2</b> 16x 3x20 
<b>D3</b> 6x PZ35PR 	<b>C3</b> 6x Z35PR 	<b>G34</b> 12x 3,5x16 			

[ 4 ]

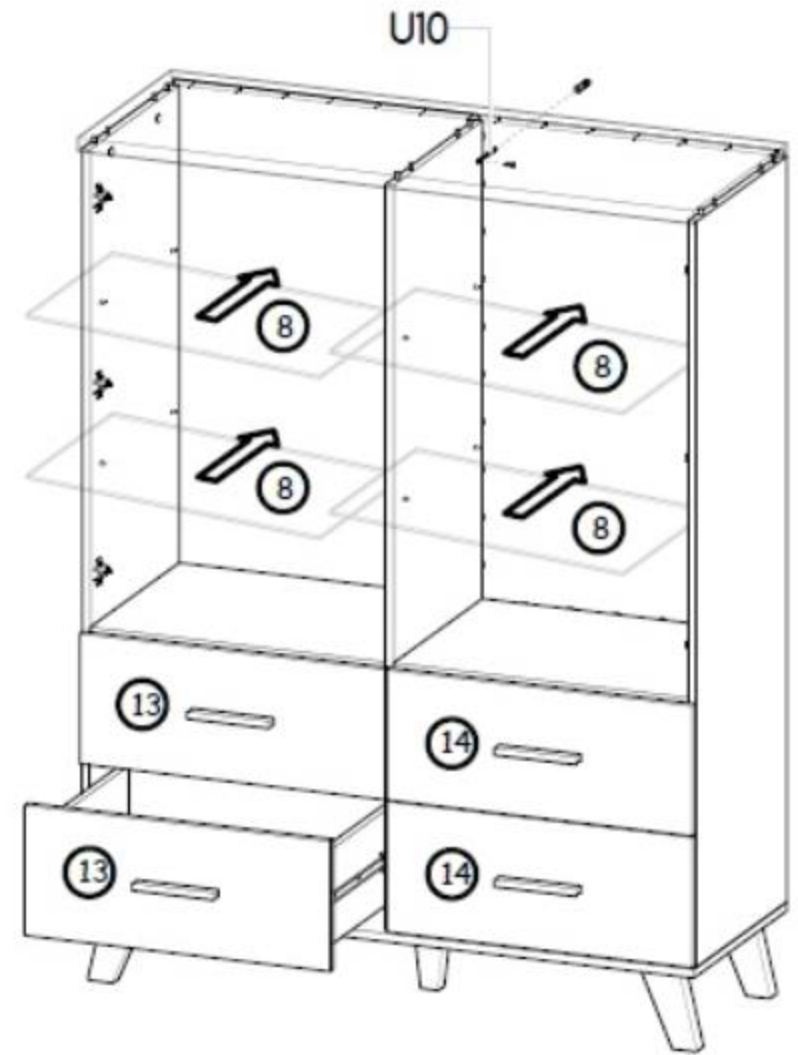
v 1.0



V



VI



[ 7 ]

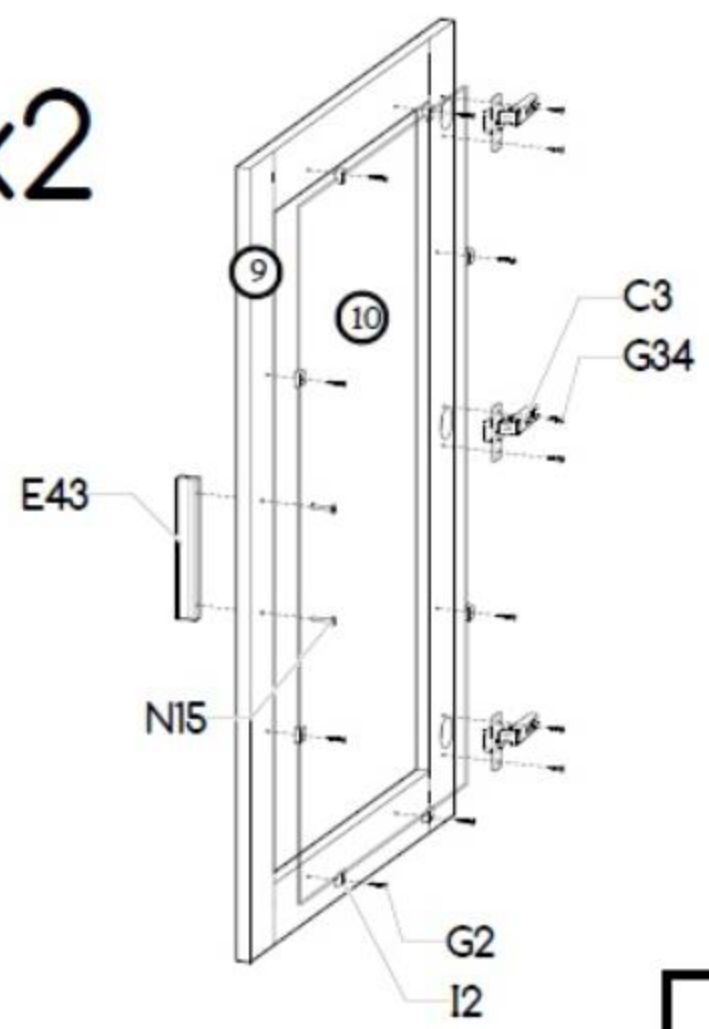
v 1.0

<b>E43</b> 6x 160mm 	<b>N15</b> 12x M4x25 	<b>W4</b> 112x 	<b>S2</b> 28x ø20x2 	<b>U10</b> 1x 	<b>H11</b> 8x 350mm 
<b>G20</b> 32x ø5x13 	<b>B1</b> 52x ø8x35 	<b>KG</b> 28x 34mm 	<b>k1</b> 28x ø15x12 	<b>I20</b> 14x ø4/ø17 	<b>A1</b> 18x ø7x50 
<b>P28</b> 1x H150m 	<b>F2</b> 16x ø5 	<b>P29</b> 4x H150m 	<b>W2</b> 1x 4mm 	<b>I2</b> 16x 	<b>G2</b> 16x 3x20 
<b>D3</b> 6x PZ35PR 	<b>G3</b> 6x Z35PR 	<b>G34</b> 12x 3,5x16 			

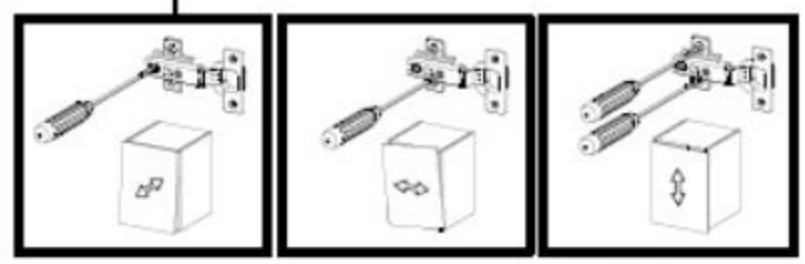
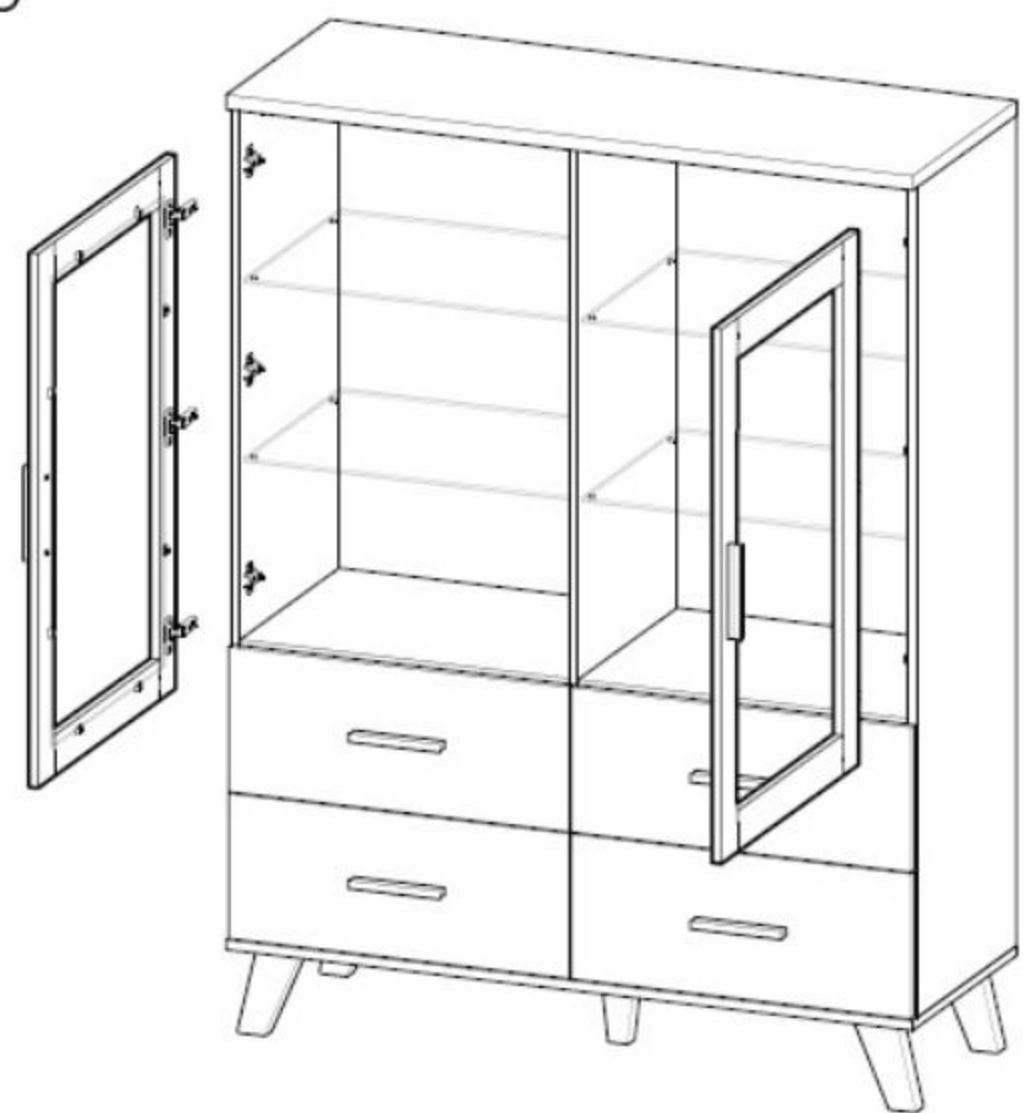
[ 4 ]

VII

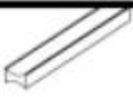




















x2



VIII



[ 8 ]

6x 160mm 	12x M4x25 	112x 	28x ø20x2 	1x 	8x 350mm 
<b>G20</b> 32x ø5x13 	<b>B1</b> 52x ø8x35 	<b>K5</b> 28x 34mm 	<b>K1</b> 28x ø15x12 	<b>I20</b> 14x ø4/ø17 	<b>A1</b> 18x ø7x50 
<b>P28</b> 1x H150m 	<b>F2</b> 16x ø5 	<b>P29</b> 4x H150m 	<b>W2</b> 1x 4mm 	<b>I2</b> 16x 	<b>G2</b> 16x 3x20 
<b>D3</b> 6x PZ35PR 	<b>C3</b> 6x Z35PR 	<b>G34</b> 12x 3,5x16 			

[ 4 ]