

<b>K2</b>  x20	<b>T1</b>  x10	<b>M1</b>  x10	<b>S10</b>  US 3x18 x14	<b>P2</b>  3,5x18 x20	<b>W8</b>  x6	<b>W2</b>  x4	<b>K7</b>  x1	<b>K11</b>  7x50 x8	<b>Z1</b>  x2	<b>J1</b>  x14
----------------------	----------------------	----------------------	----------------------------------	--------------------------------	---------------------	---------------------	---------------------	------------------------------	---------------------	----------------------

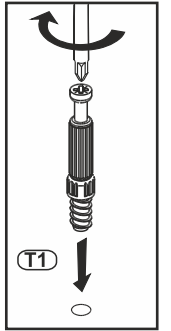
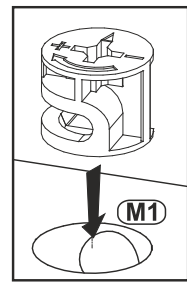
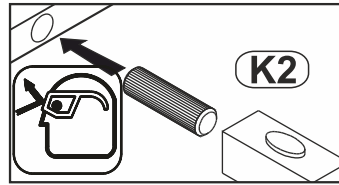
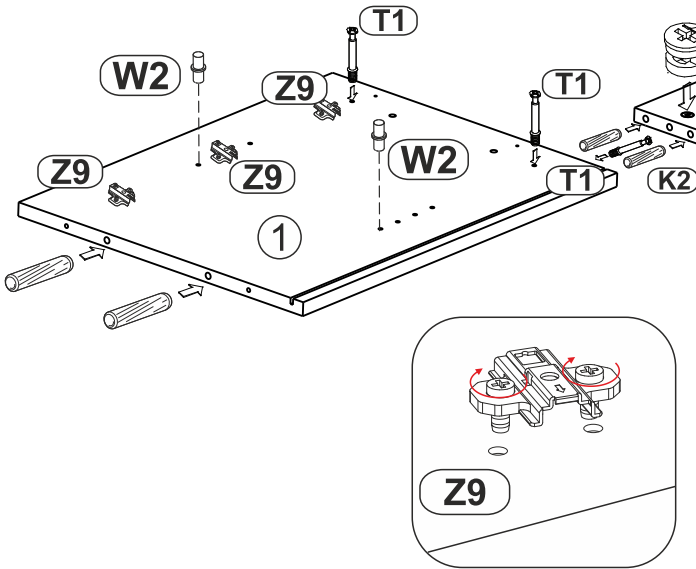
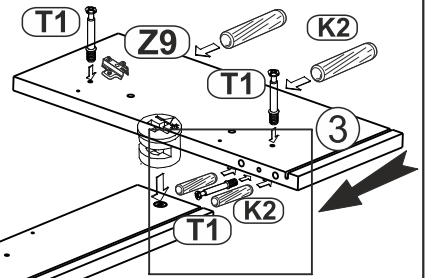
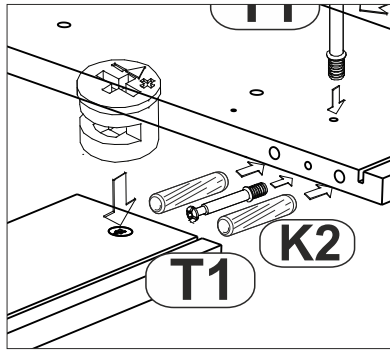
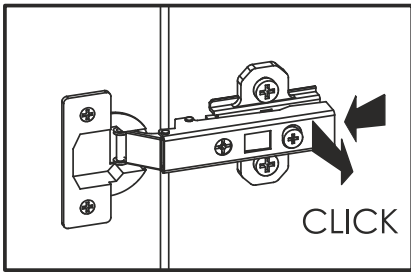
<b>U11</b>  x1	<b>P4</b>  x2
----------------------	---------------------

<b>Z9</b>  x4	<b>S3</b>  4x13 x8
---------------------	-----------------------------

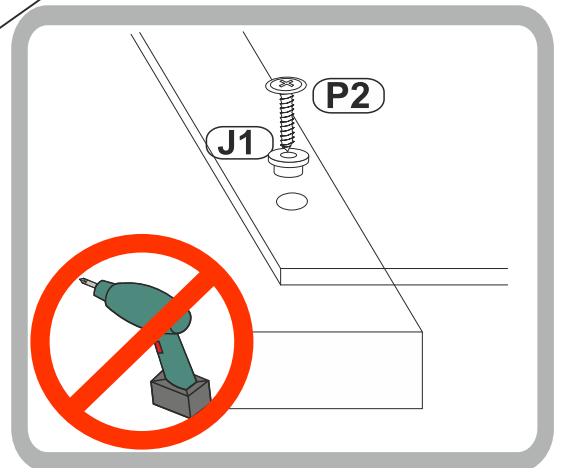
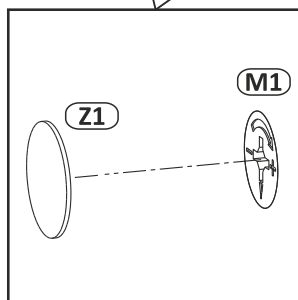
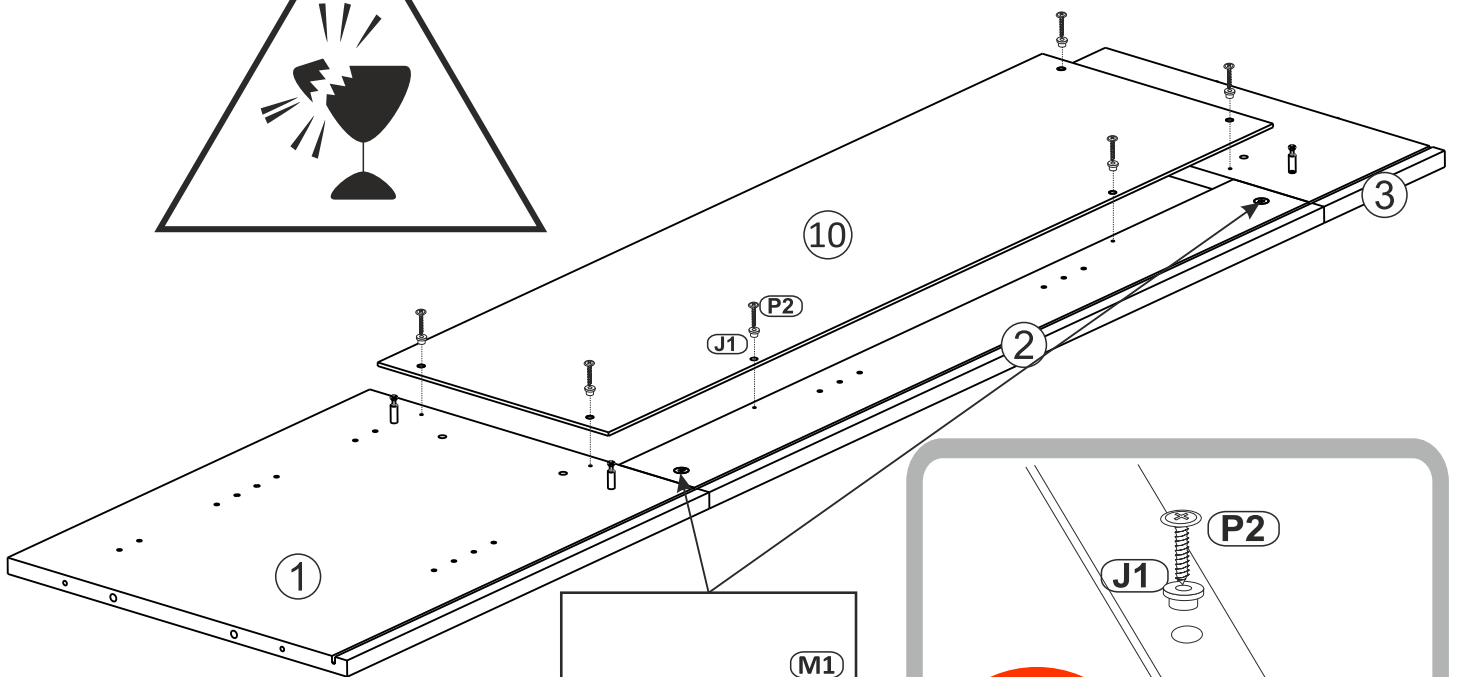
<b>ST1</b>  x4	<b>P2</b>  3,5x18 x16
----------------------	--------------------------------

<b>B5</b>  x1
---------------------

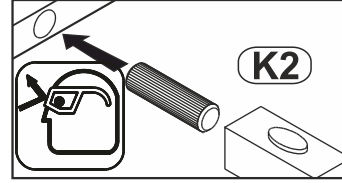
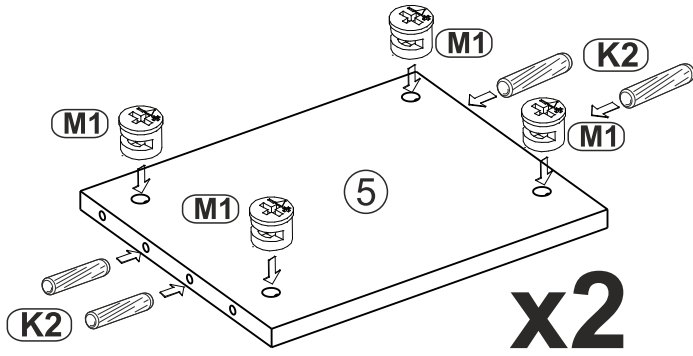
# 1



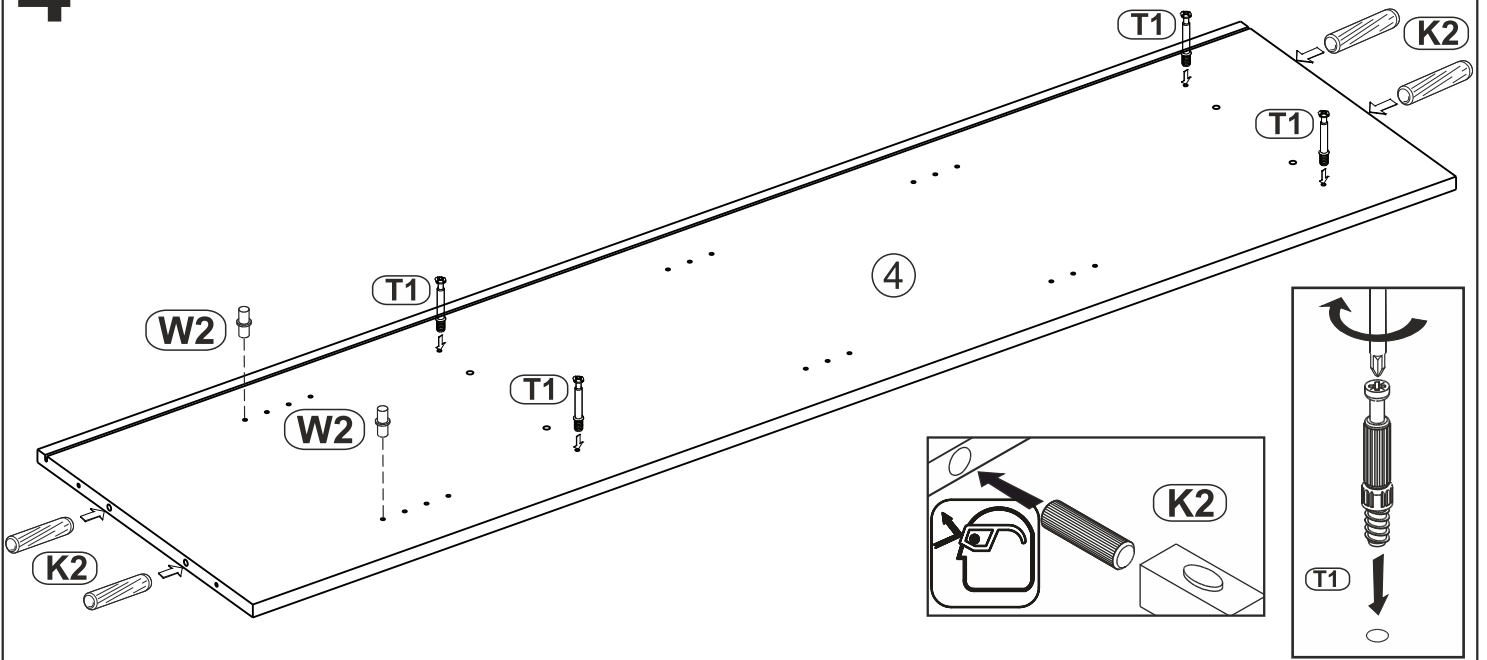
# 2



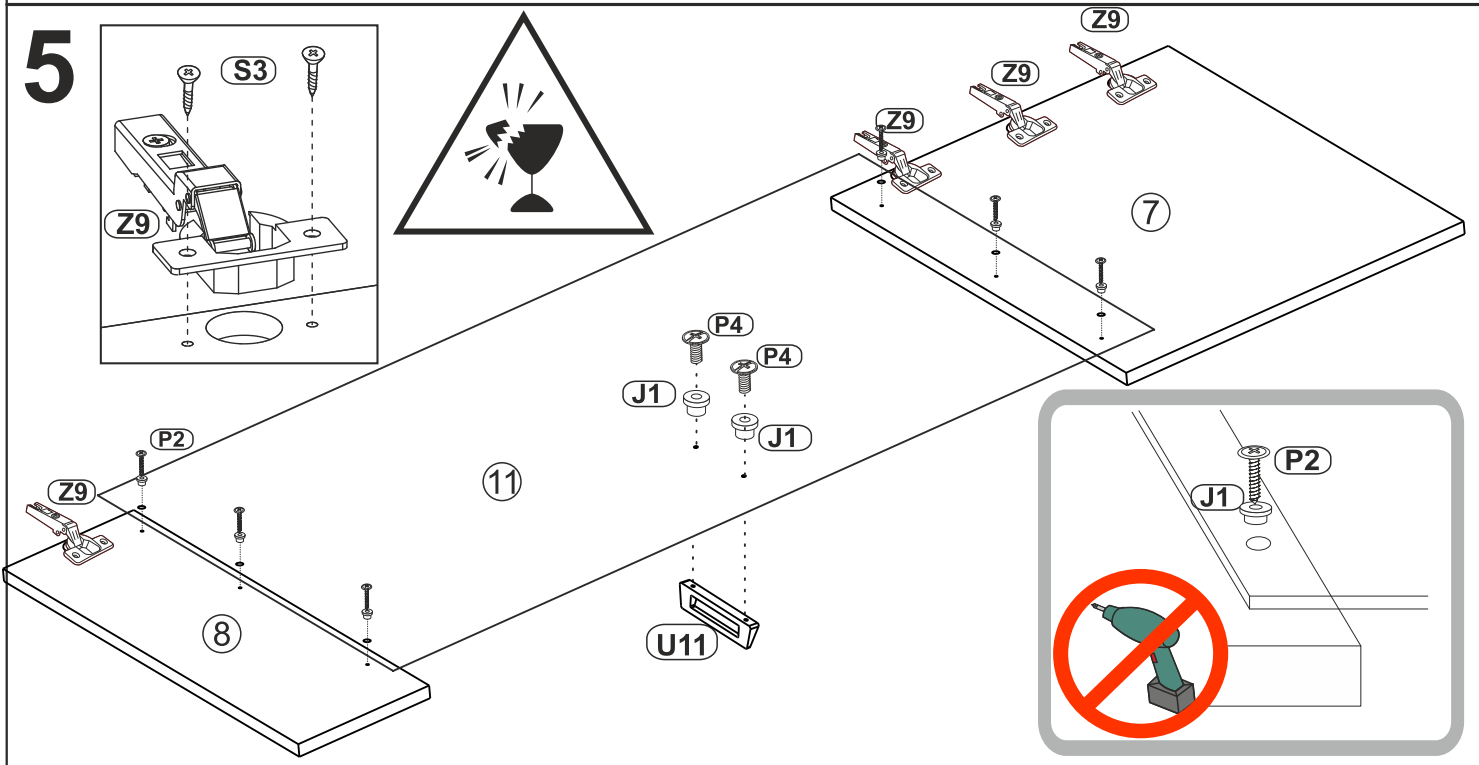
# 3

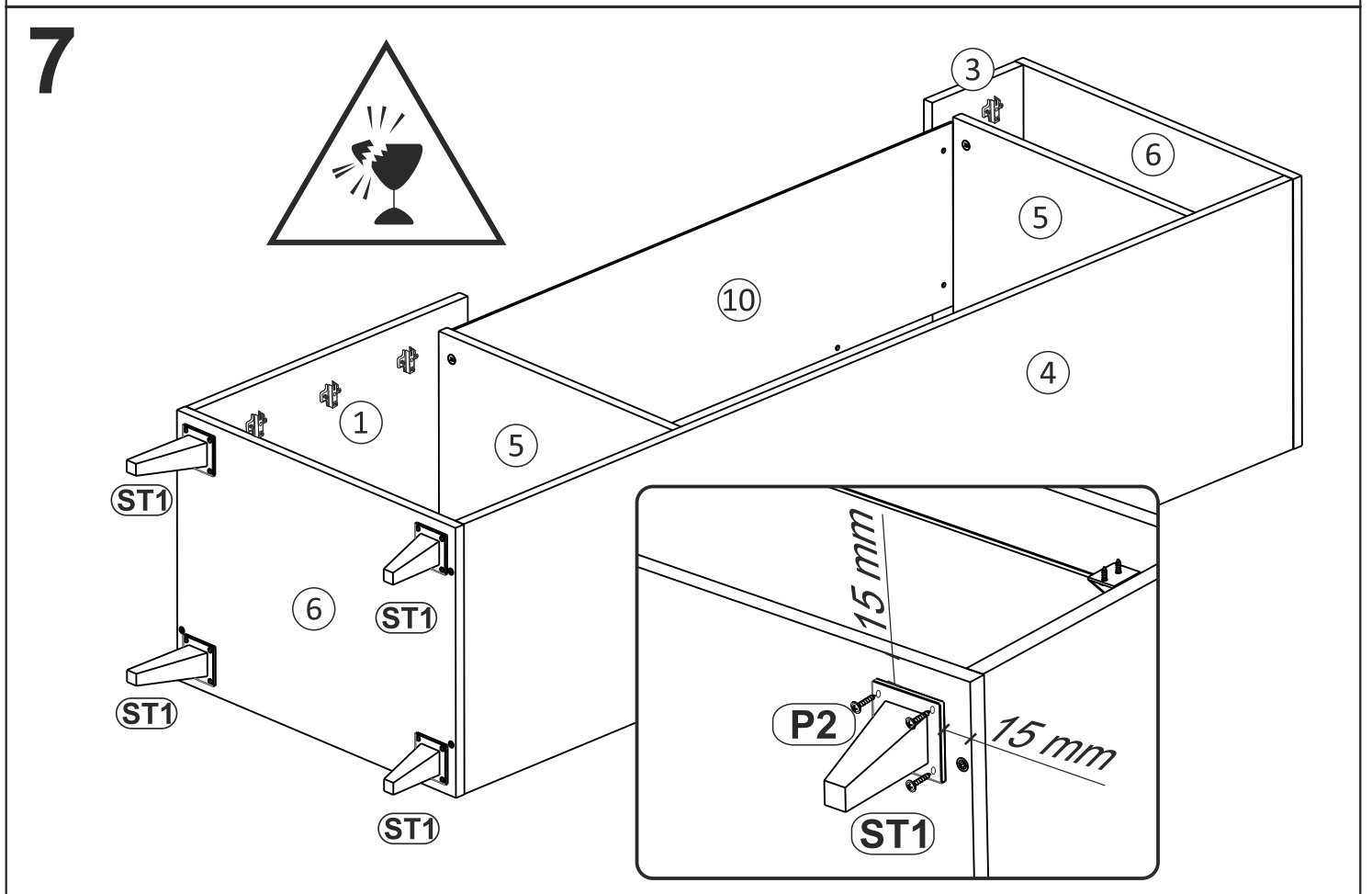
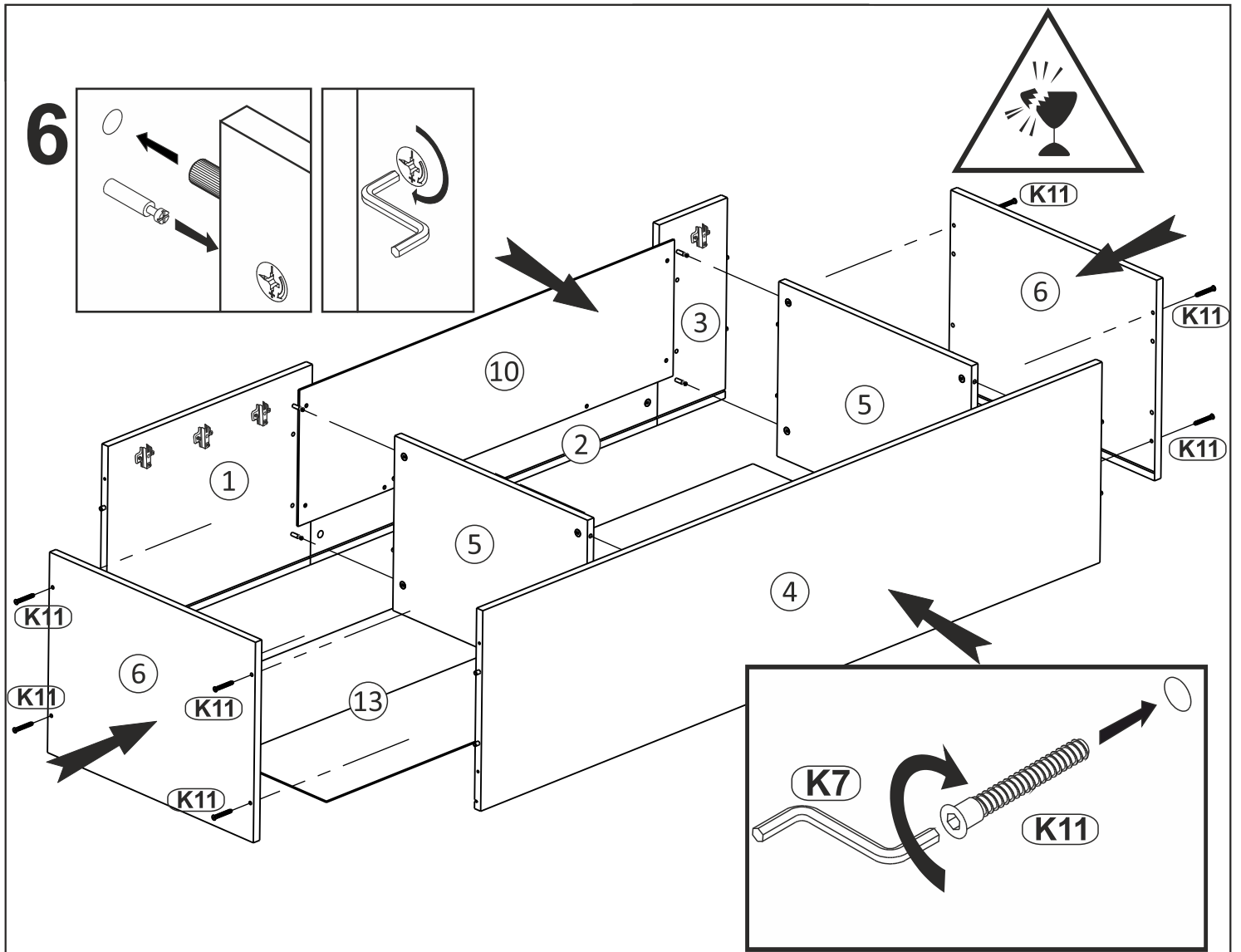


# 4

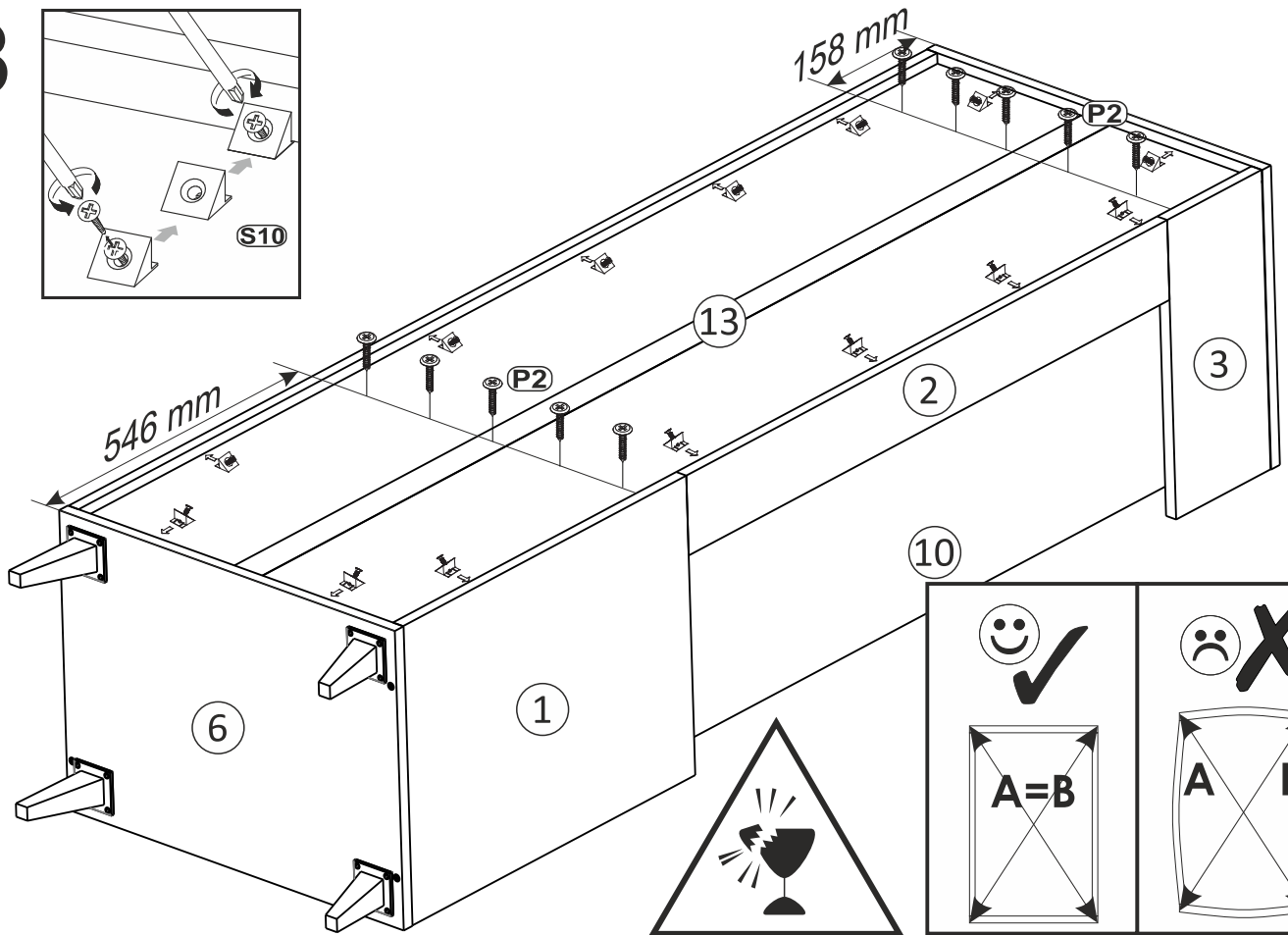
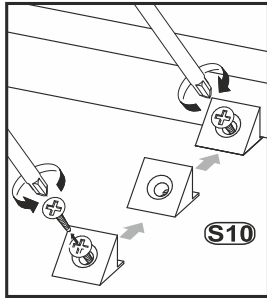


# 5



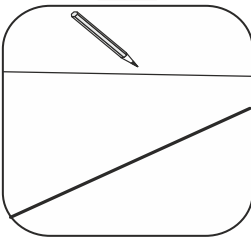


8

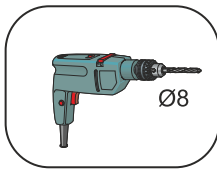


9

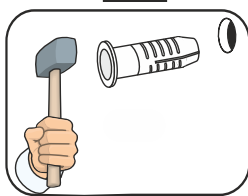
**A**



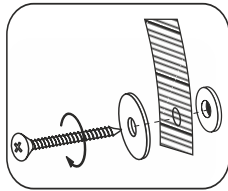
**B**



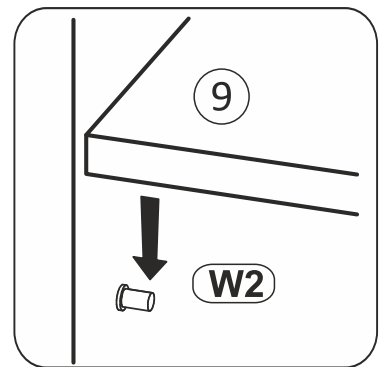
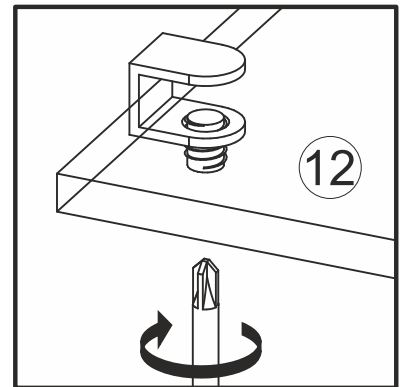
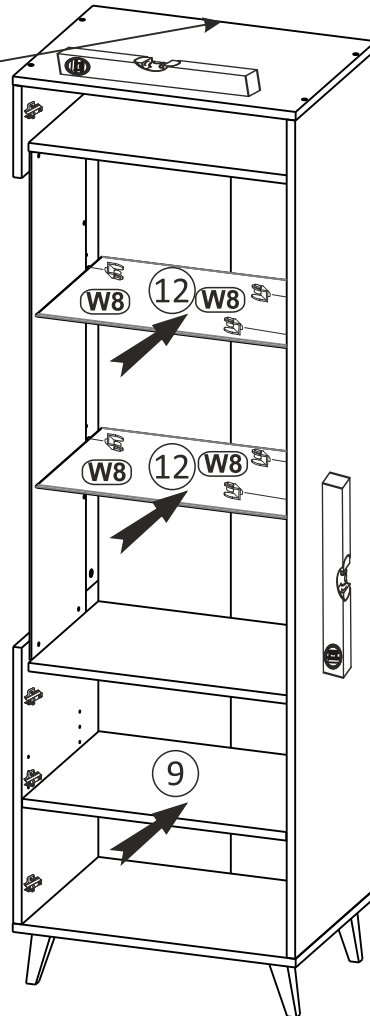
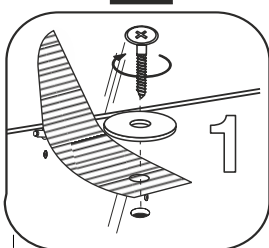
**C**



**D**



**E**



# 10

