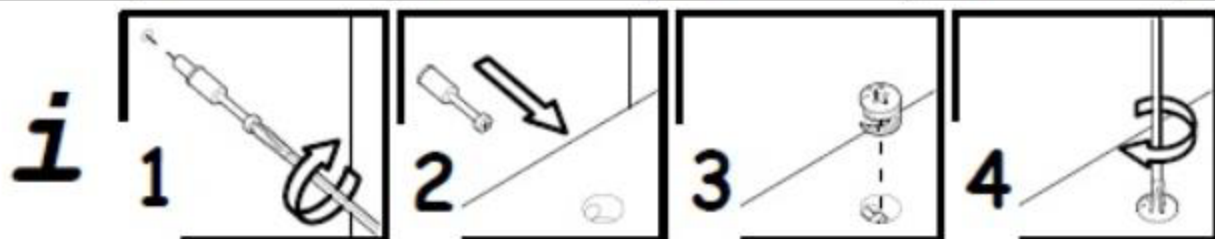
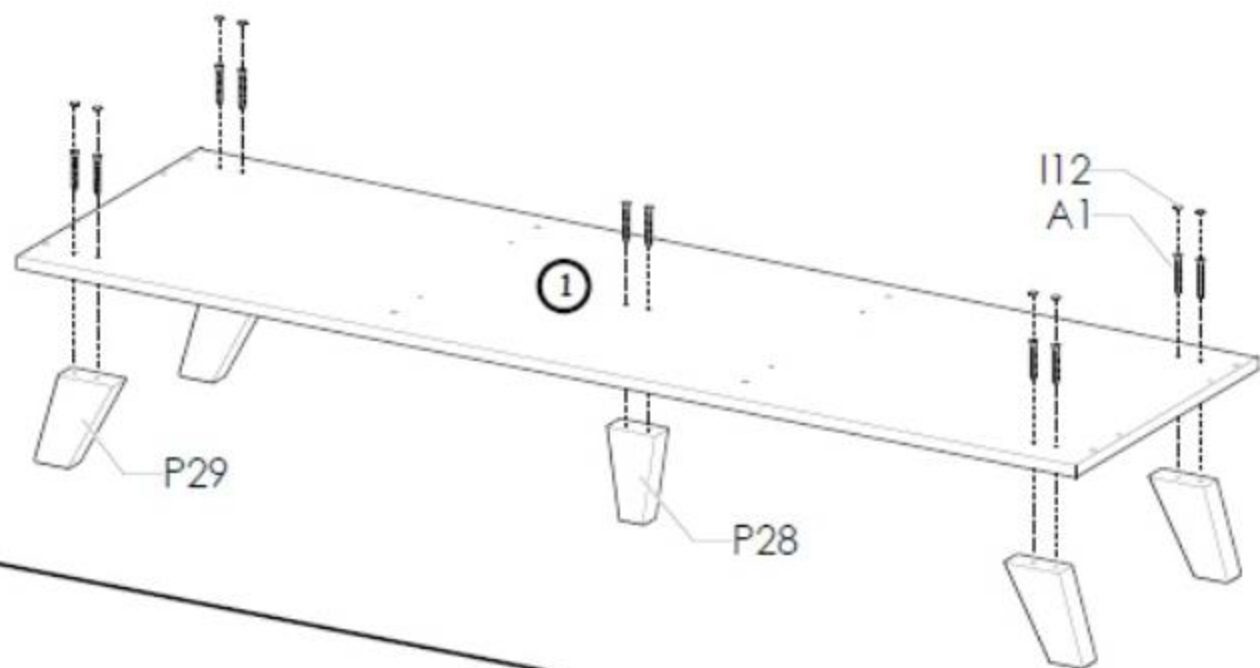


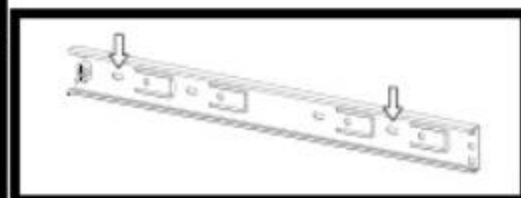
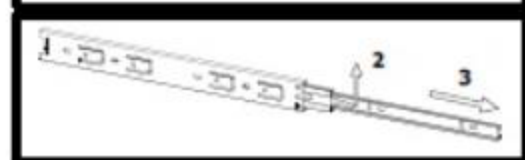
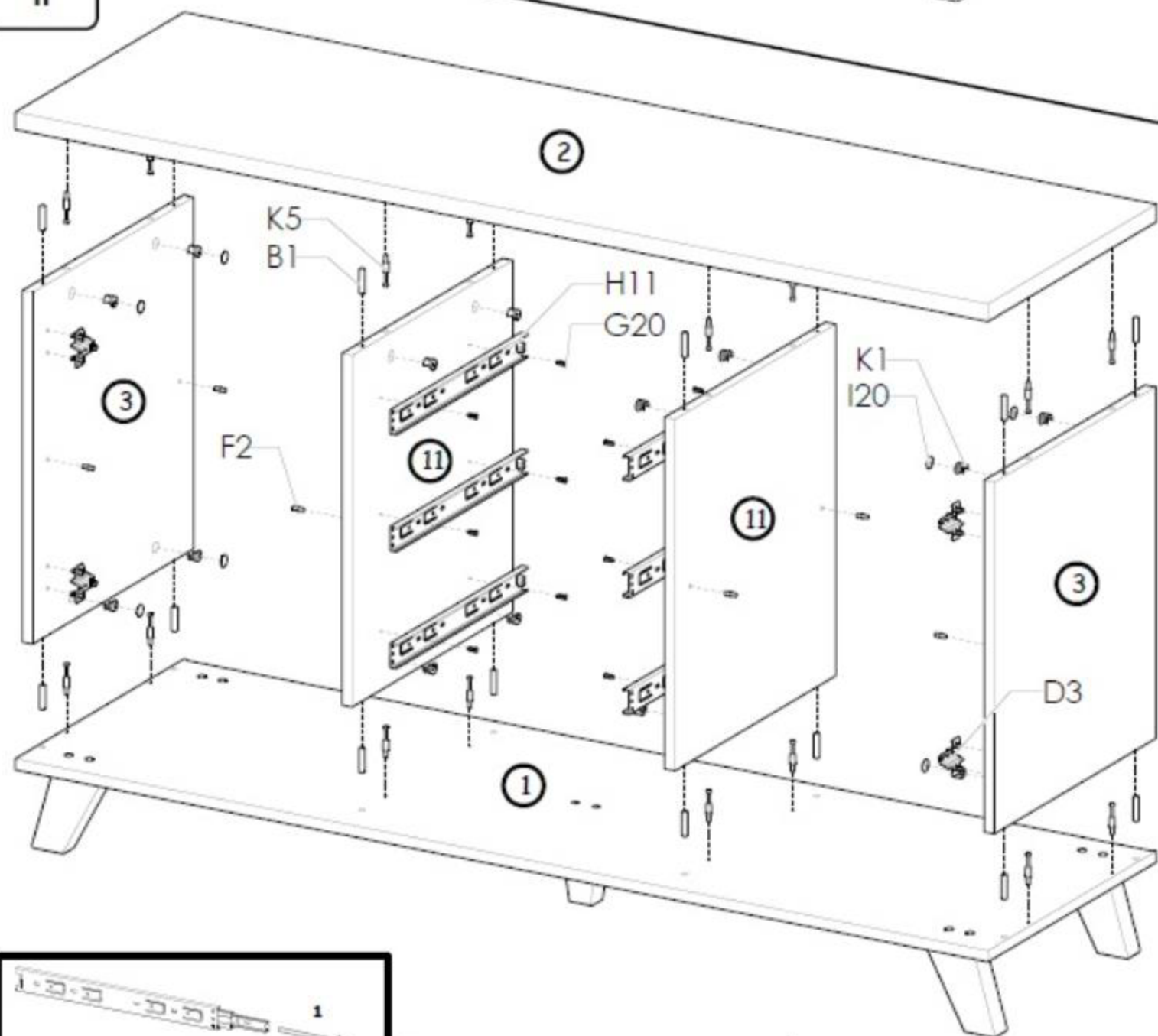
<b>I20</b> 14x ø4/ø17	<b>K1</b> 22x ø15x12	<b>K5</b> 22x 34mm	<b>G34</b> 8x 3,5x16	<b>C3</b> 4x Z35PR	<b>D3</b> 4x PZ35PR
<b>W4</b> 73x	<b>F2</b> 8x ø5	<b>E43</b> 5x 160mm	<b>N15</b> 10x M4x25	<b>B1</b> 40x ø8x35	<b>P29</b> 4x H150m
<b>I12</b> 8x ø4/ø10	<b>A1</b> 16x ø7x50	<b>W2</b> 1x 4mm	<b>G20</b> 24x ø5x13	<b>H11</b> 6x 350mm	<b>P28</b> 1x H150m



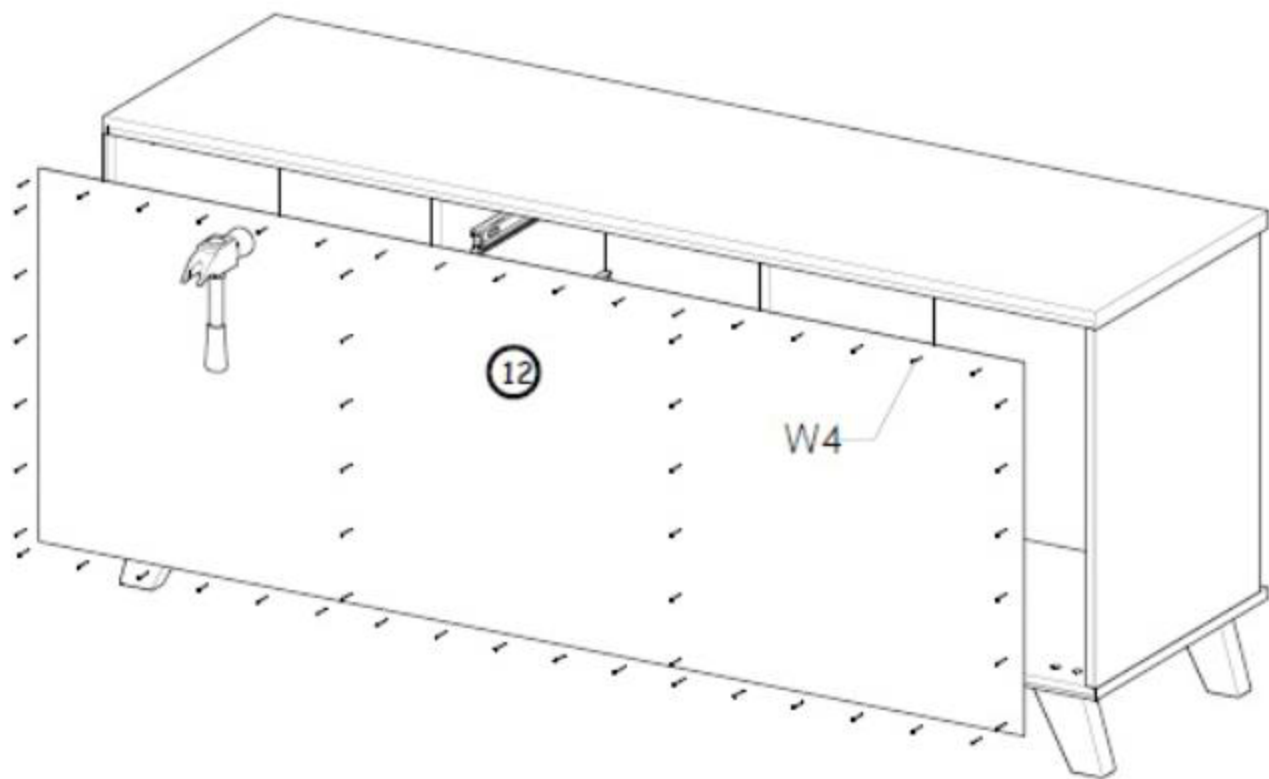
I



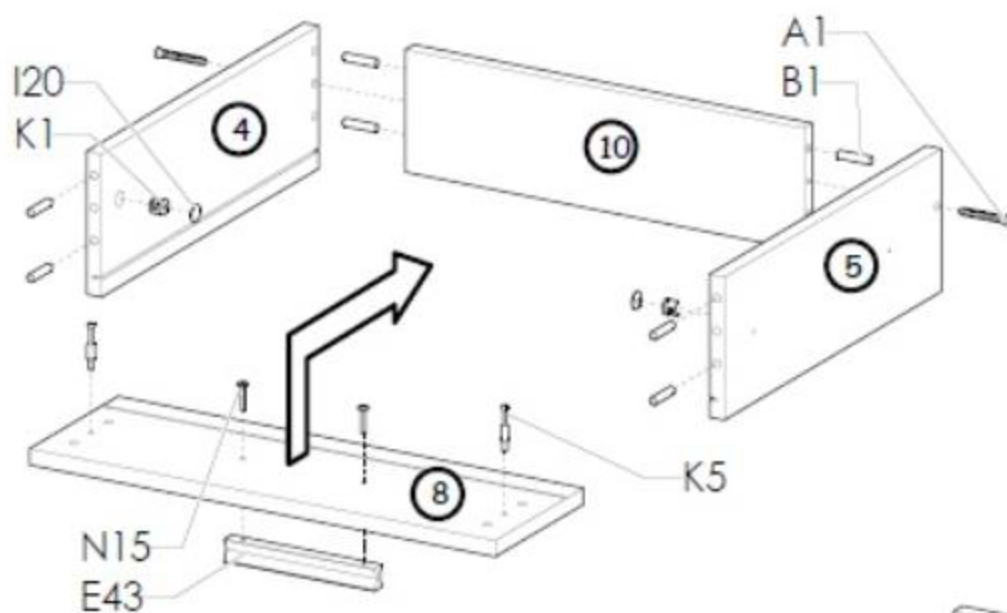
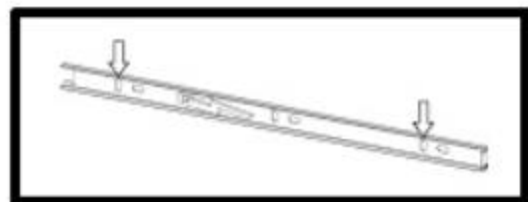
II



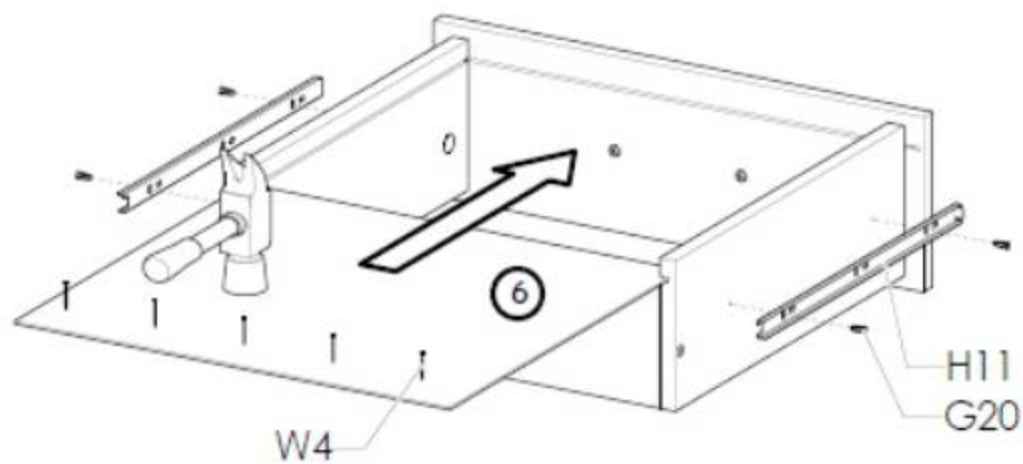
III



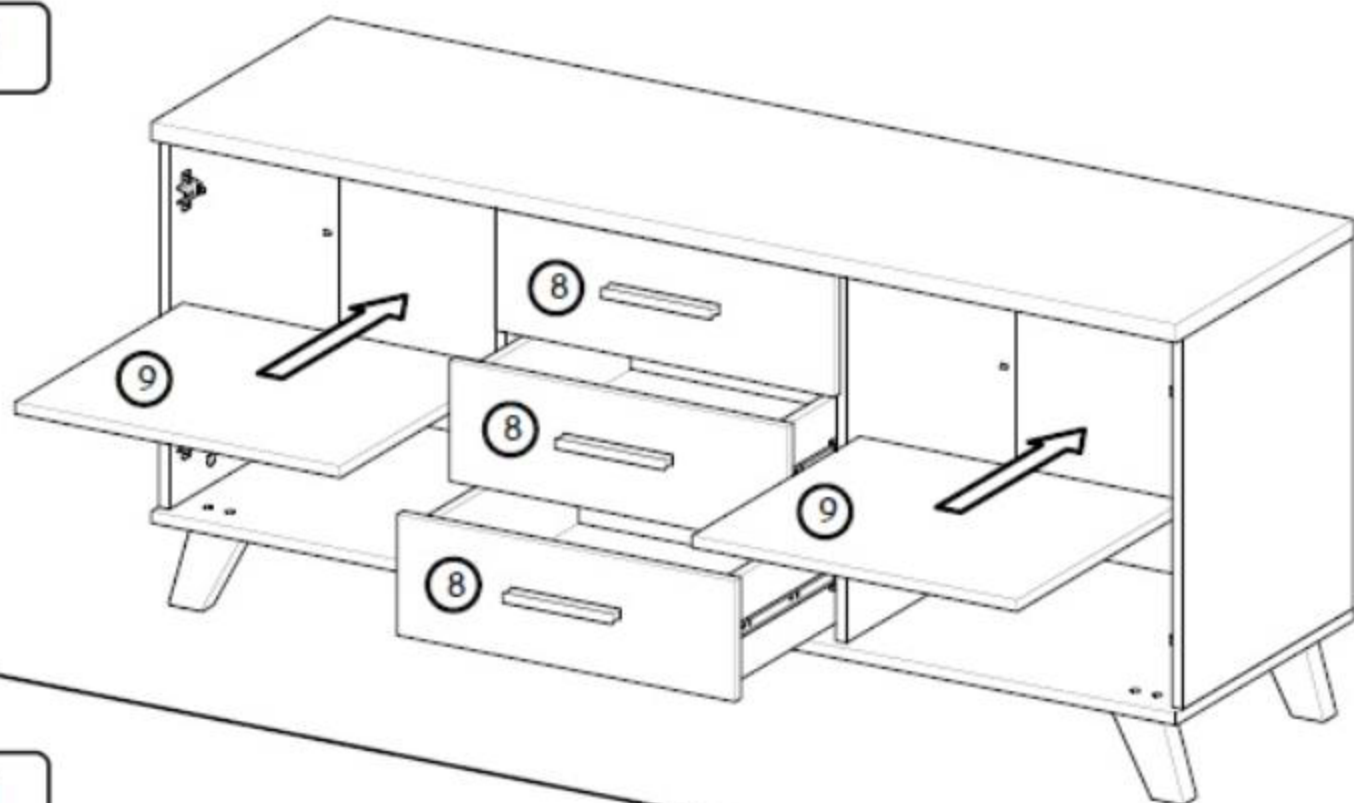
IV



x3



V



VI

