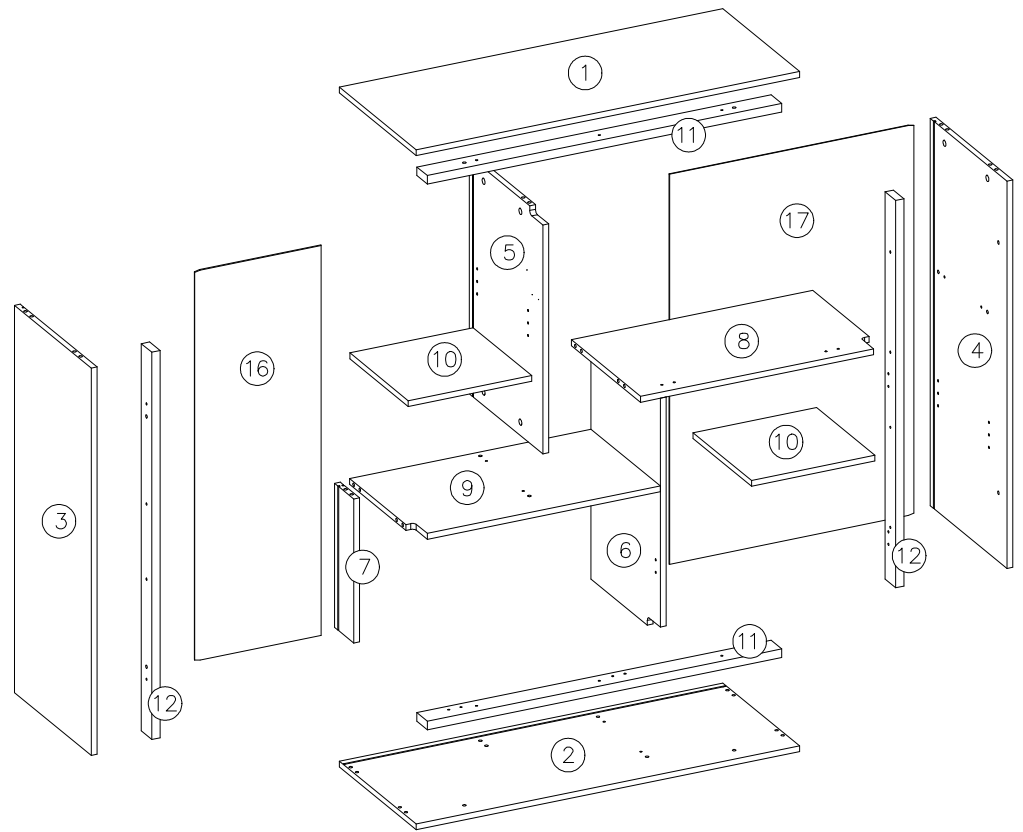
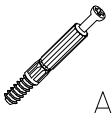
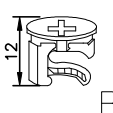
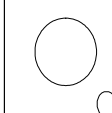
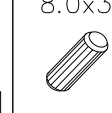
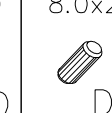
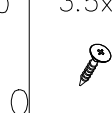
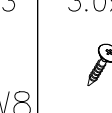
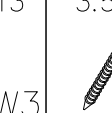
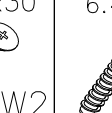

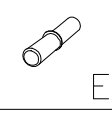
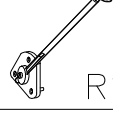
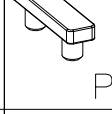
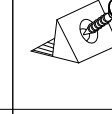
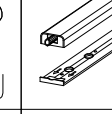
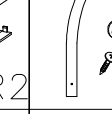
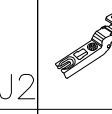
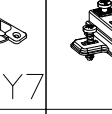
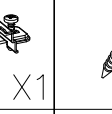
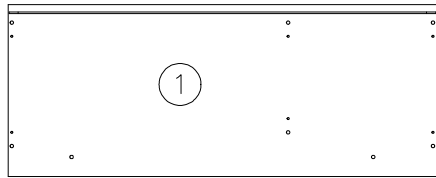
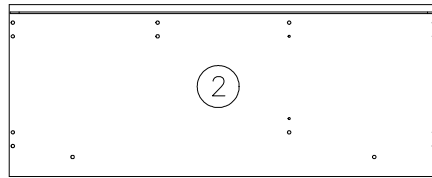

 (8) (9) (10)
 MAX
 5kg



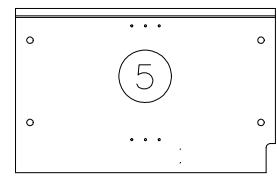
									
20	20	38	27	8	8	12	14	4	1
									
8	2	7	22	4	1	8	8	16	



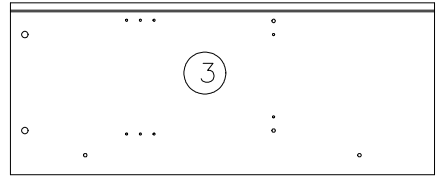
1000x401x15



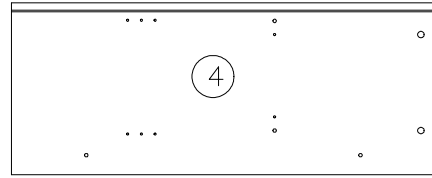
1000x401x15



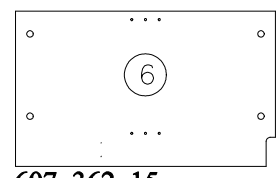
607x383x15



990x401x15



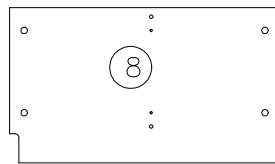
990x401x15



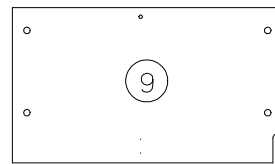
607x362x15



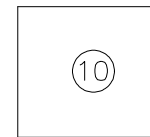
368x100x15



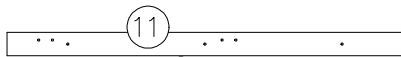
630x362x15



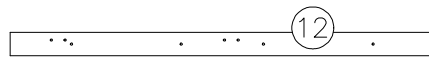
630x362x15



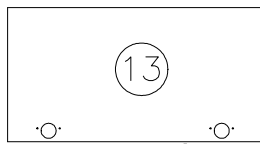
322x305x15 x2



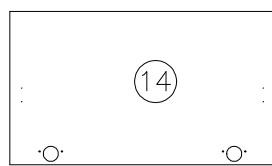
924x55x22 x2



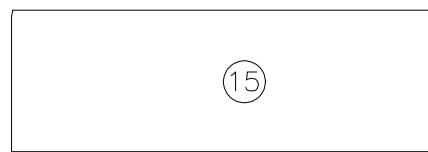
990x55x22 x2



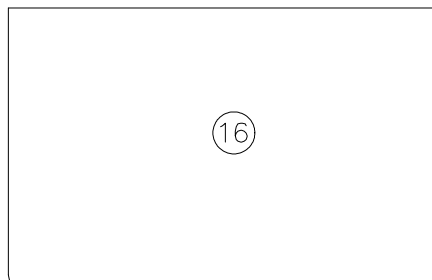
313x596x15 x2



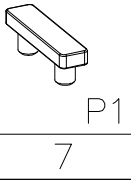
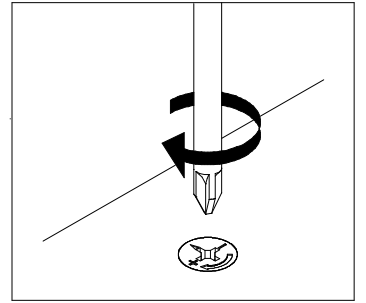
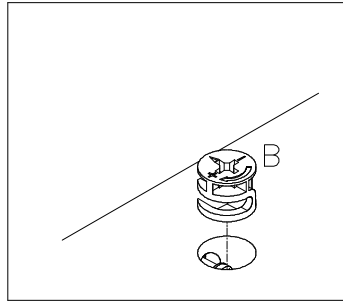
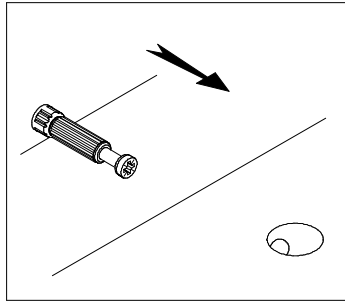
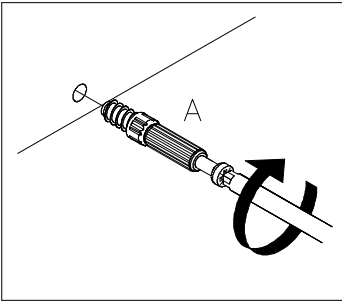
620x358x15 x2



330x997x3

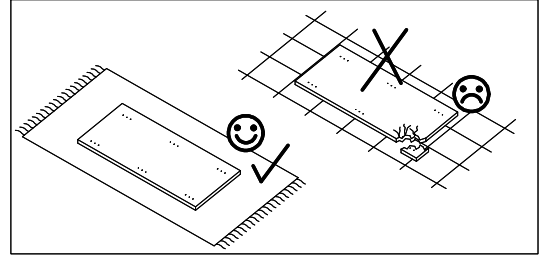


637x997x3

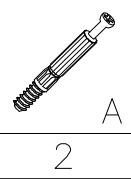
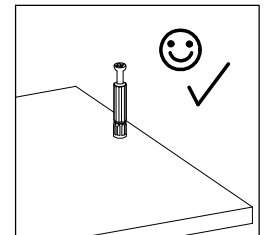
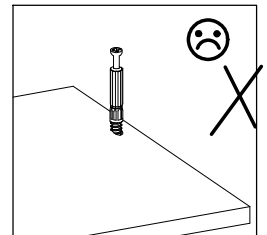
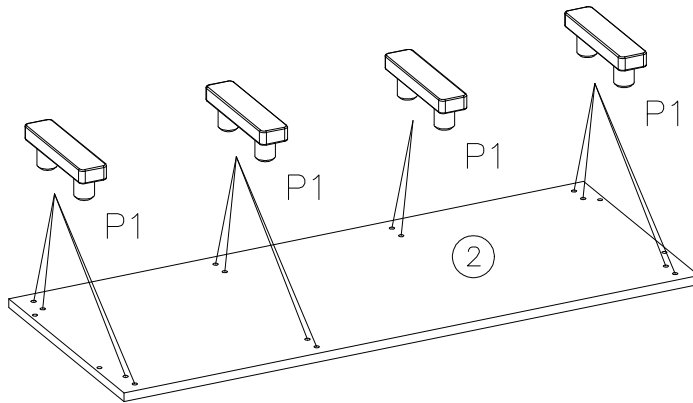


P1

7



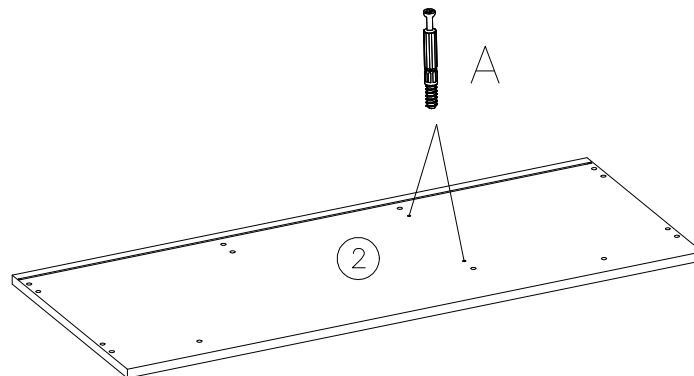
1



A

2

2



8.0x20

3.5x30



D10

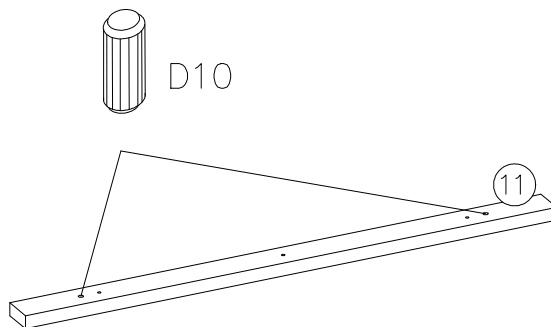


W2

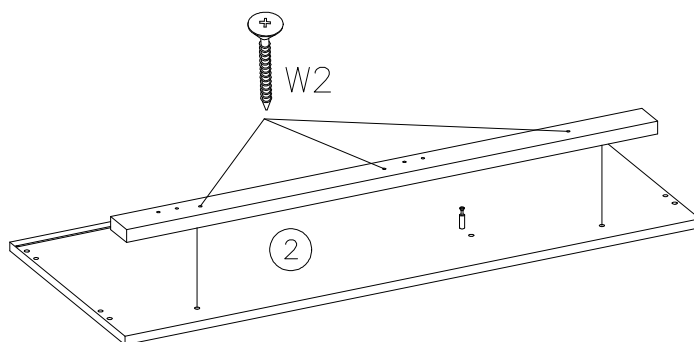
4

3

3



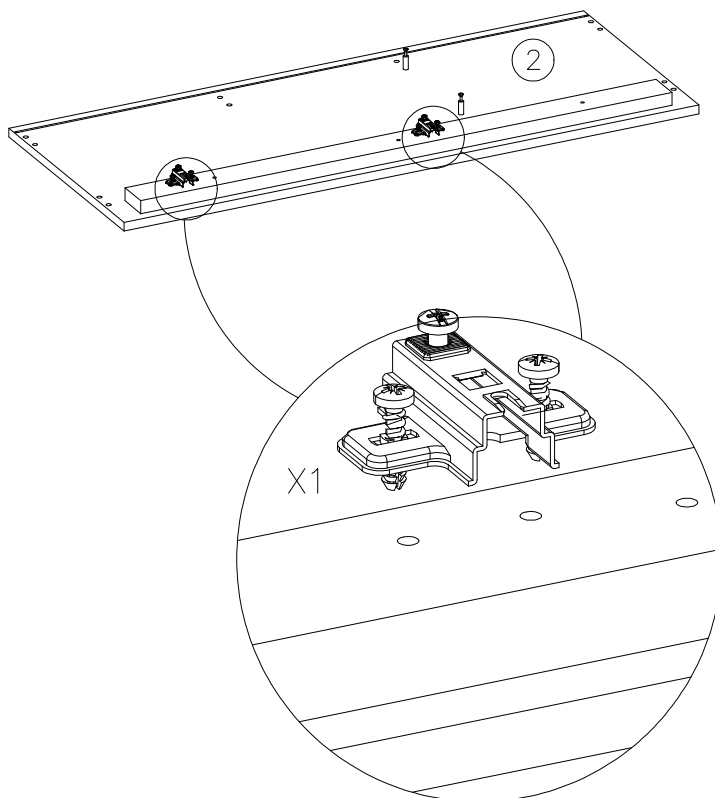
x2

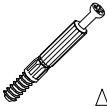
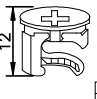



X1

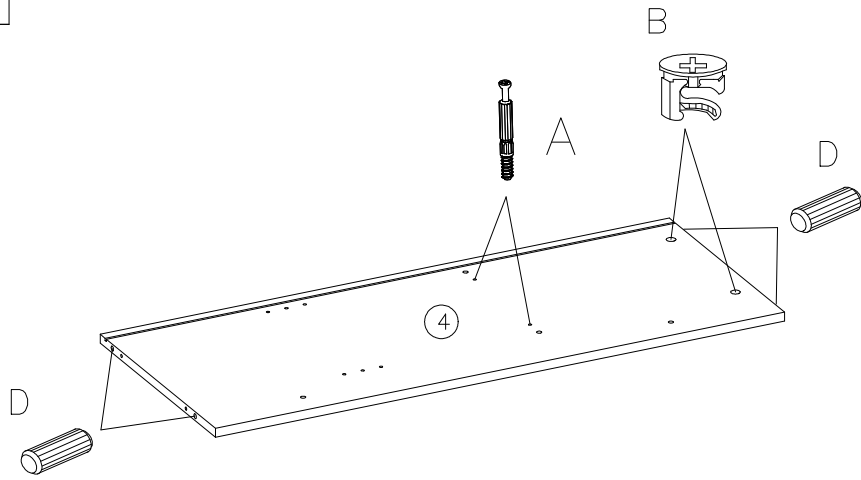
2



4



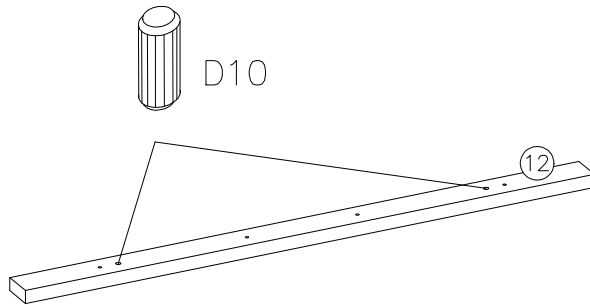
 A	 B	8.0x30  D
2	2	4

5

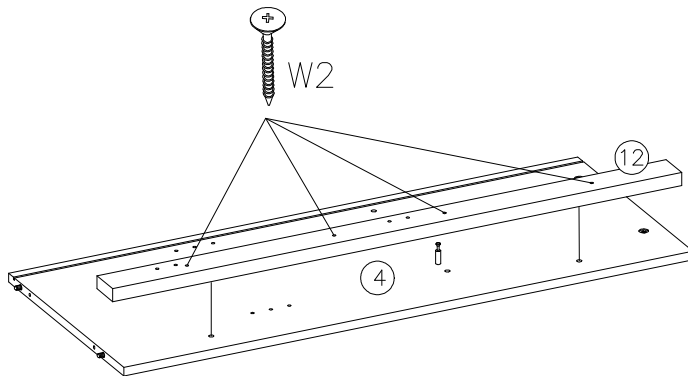


8.0x20  D10	3.5x30  W2
2	4

6



x2

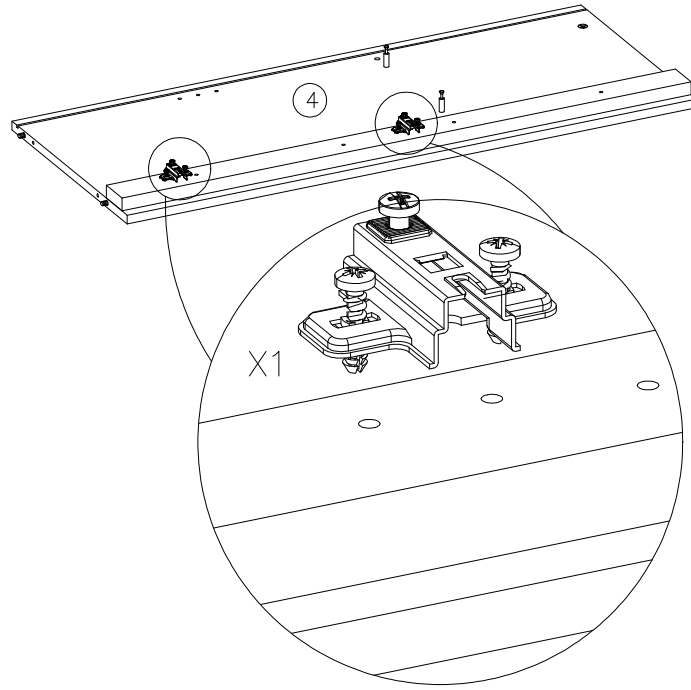




X1

2

7



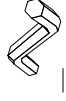
6.4X50



K1

2

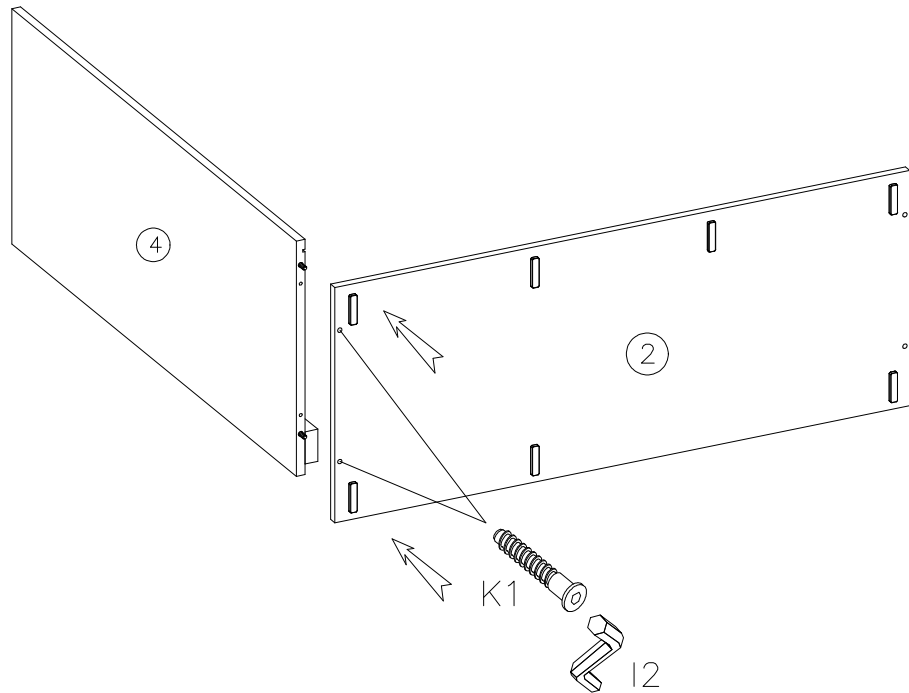
4mm

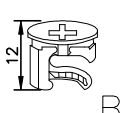
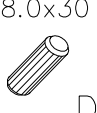

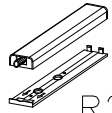



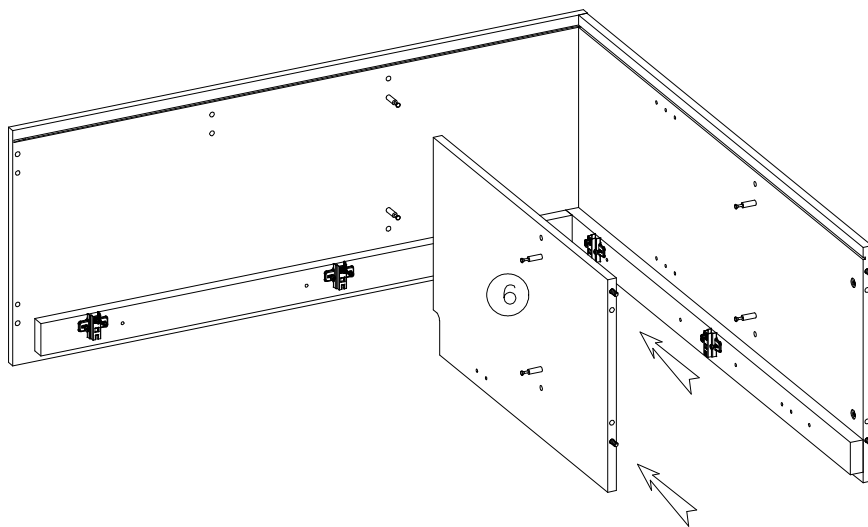
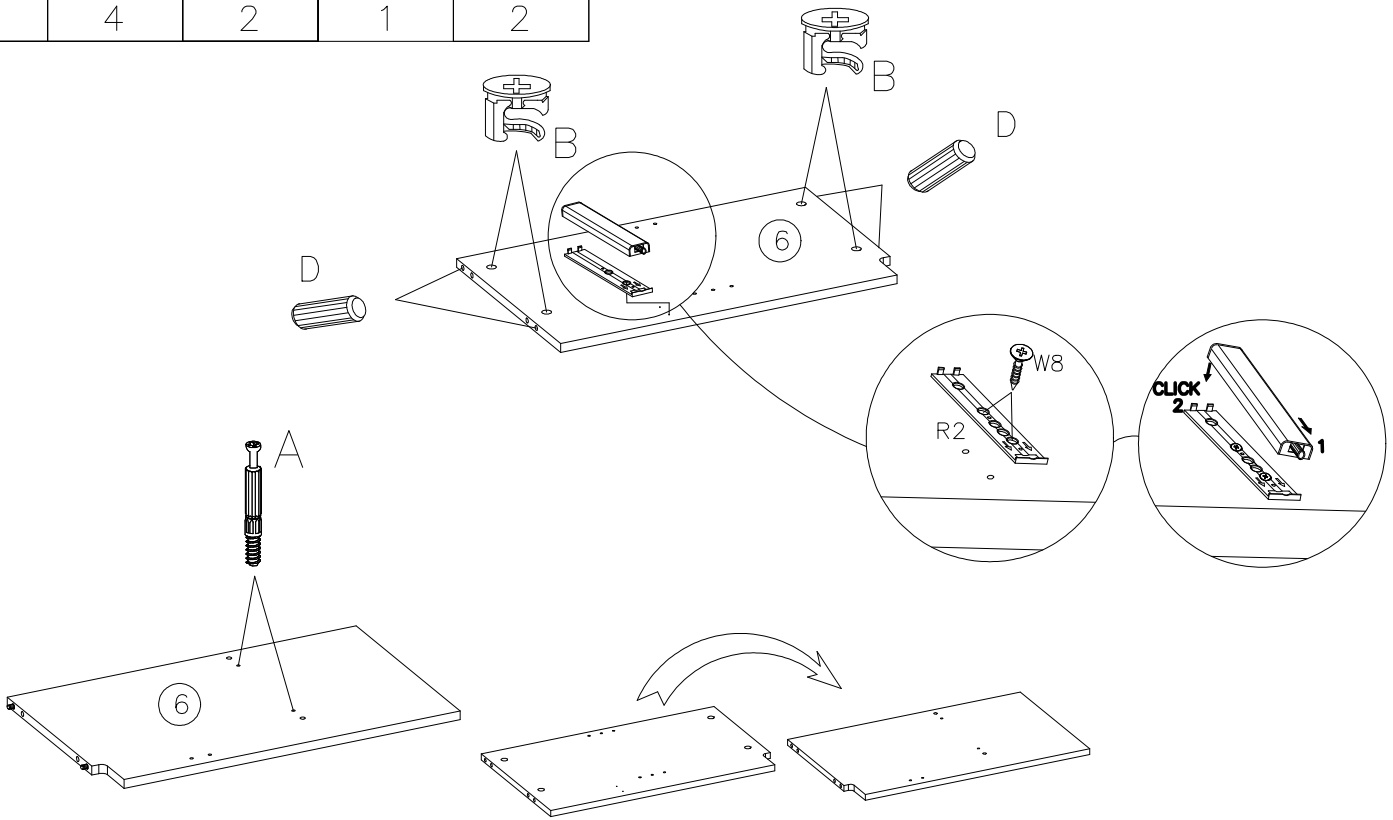
I2

1

8



 B 4	 D 4	 W8 2	 R2 1	 A 2
---	--	---	---	--



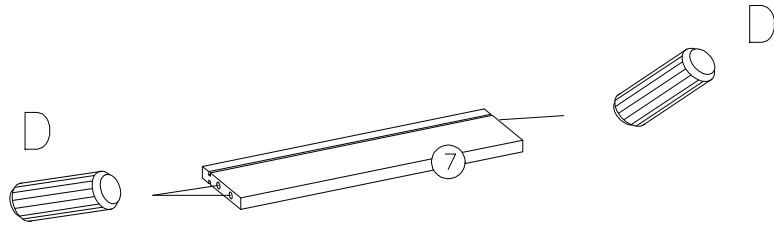
8.0x30



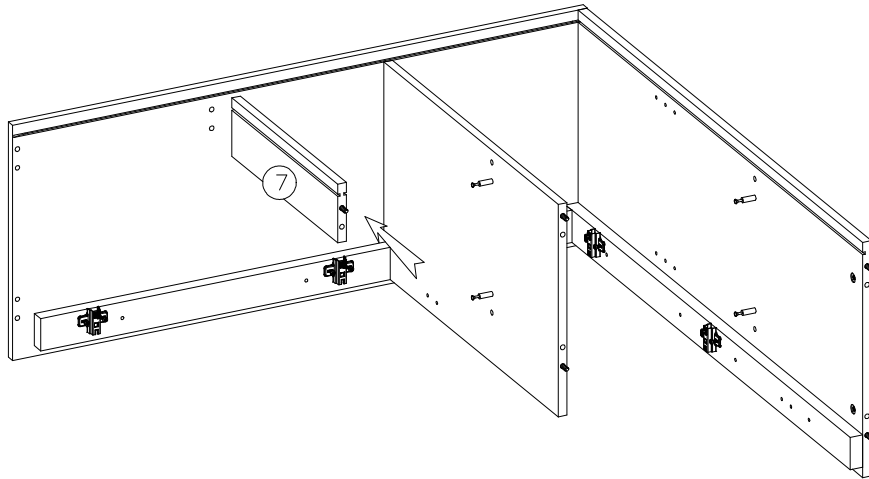
D

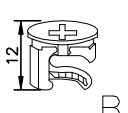
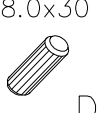

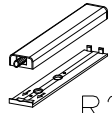

3

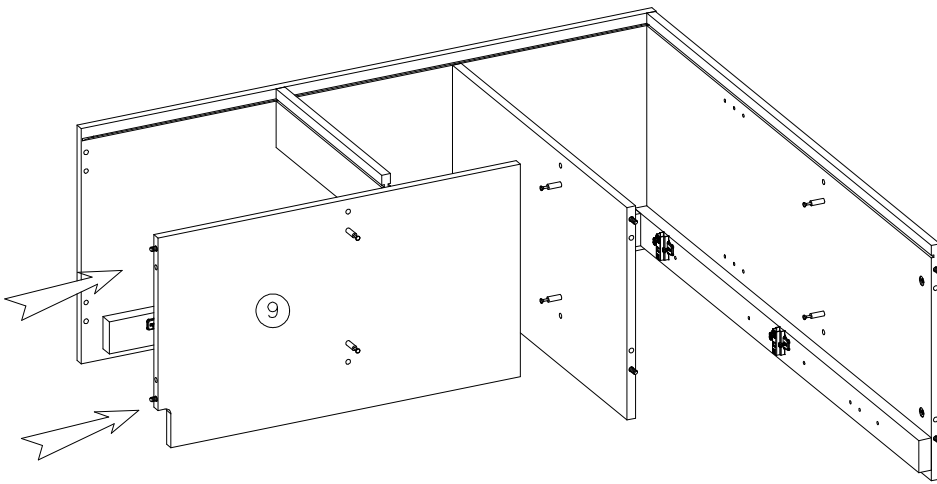
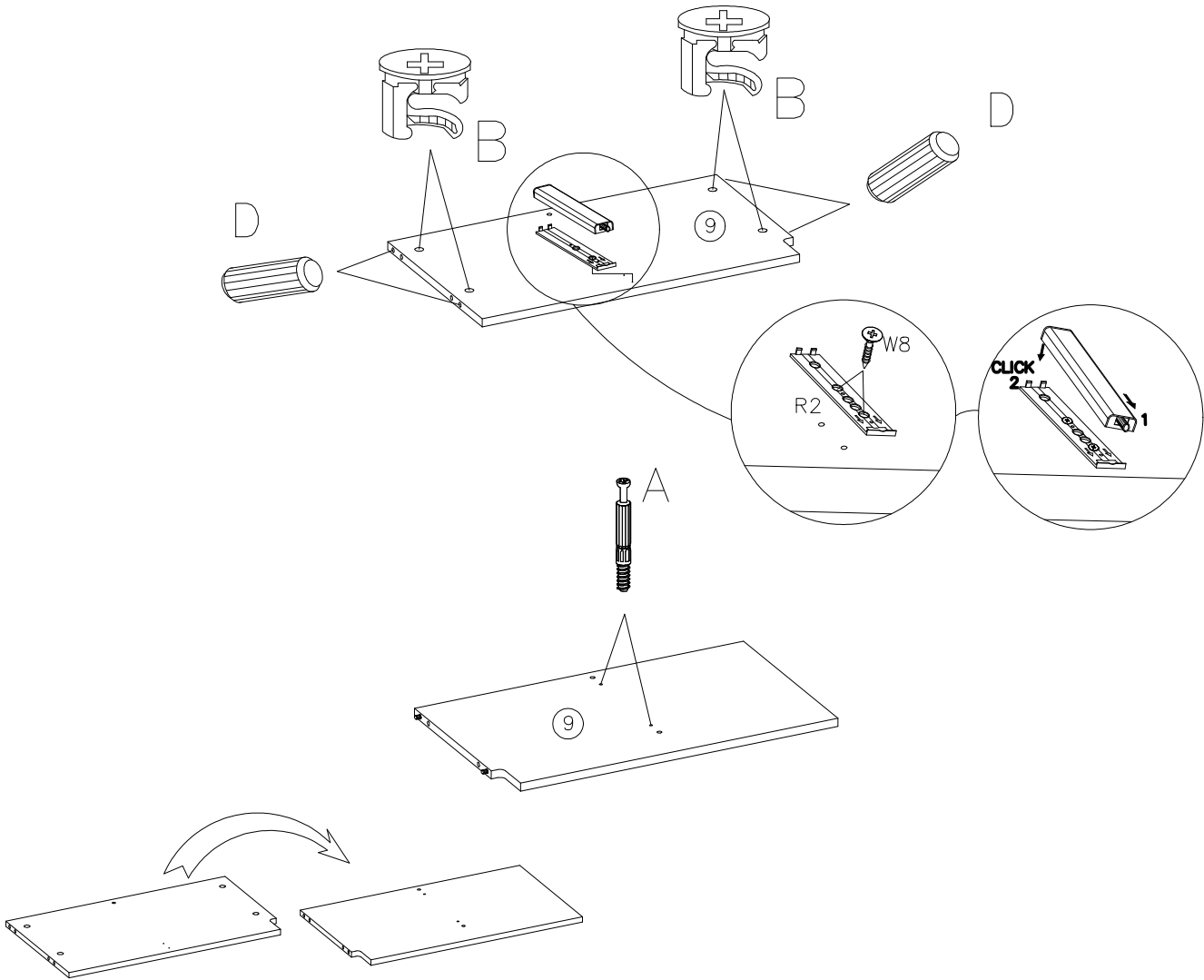
11

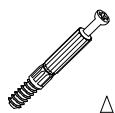
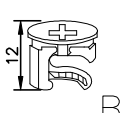
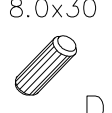
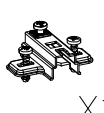


12

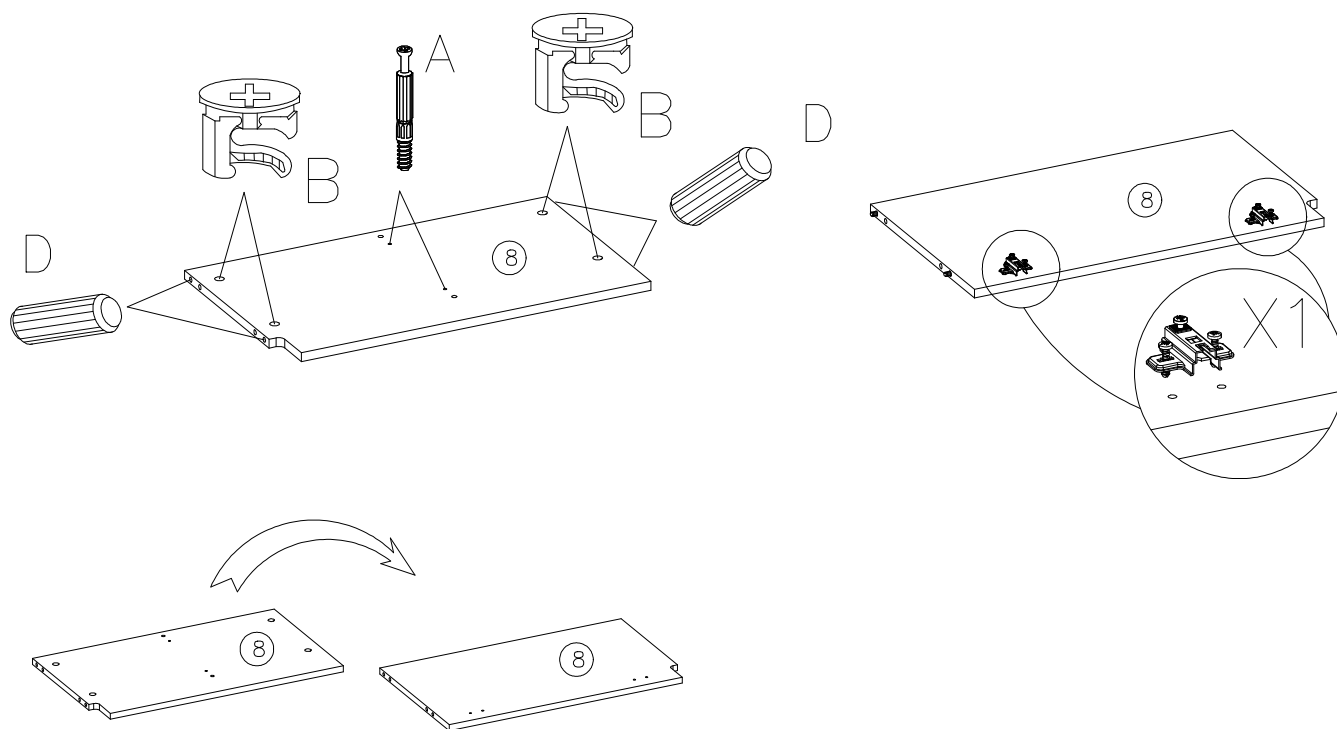


 B	 8.0x30 D	 3.5x13 W8	 R2	 A
4	4	2	1	2

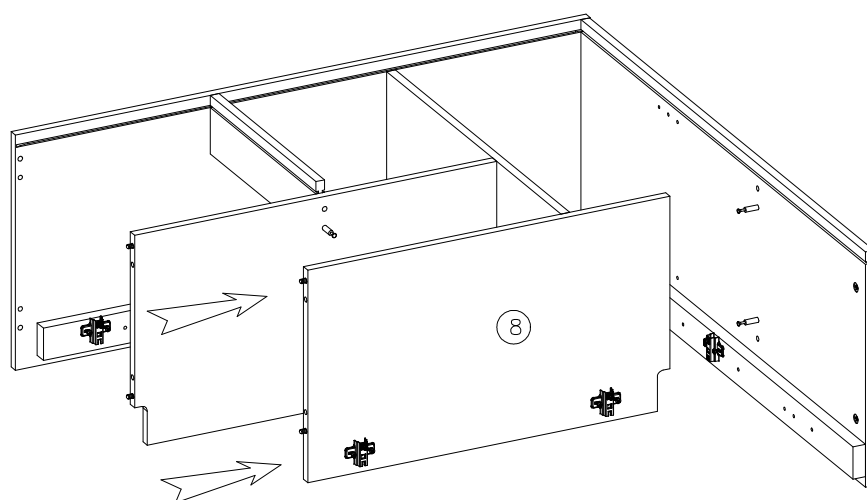


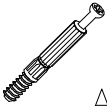

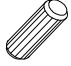

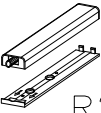
 A	 B	 8.0x30	 X1
2	4	4	2

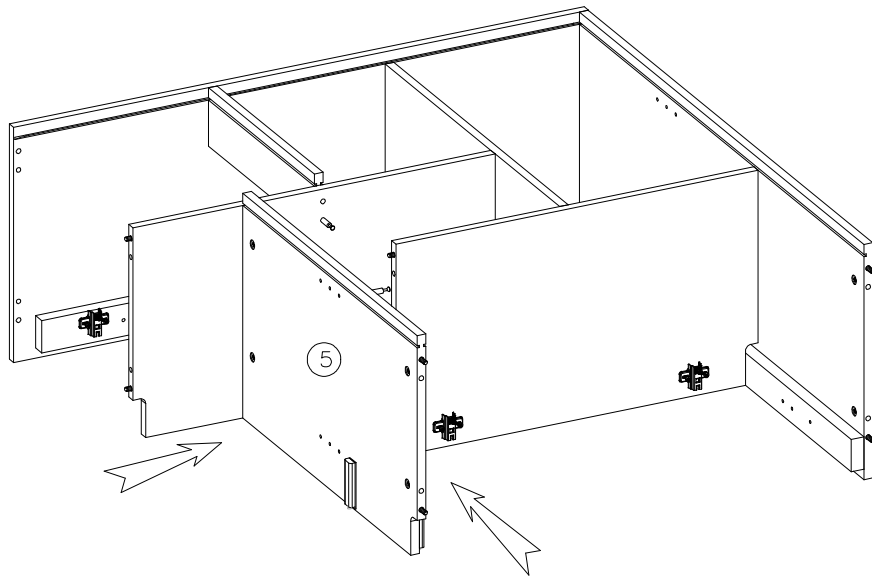
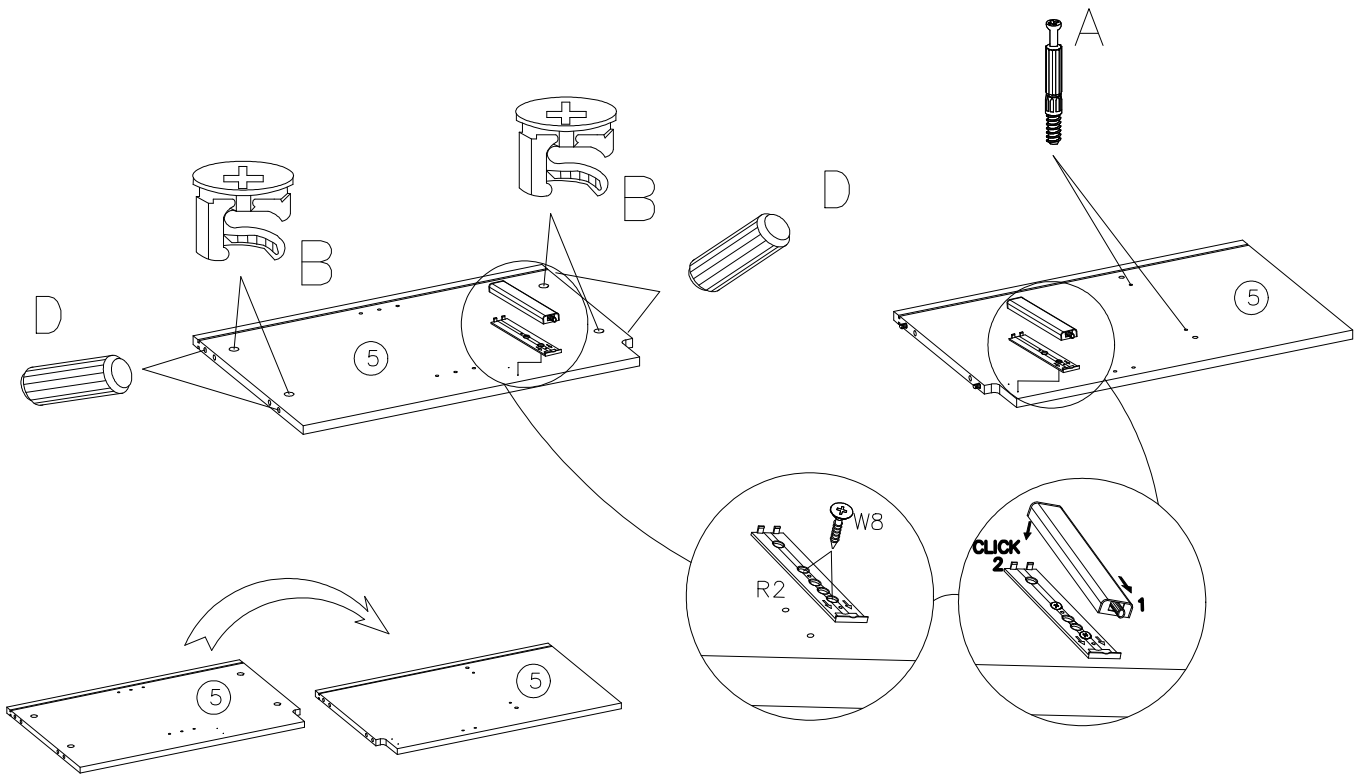
15

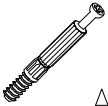
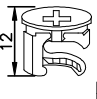
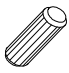


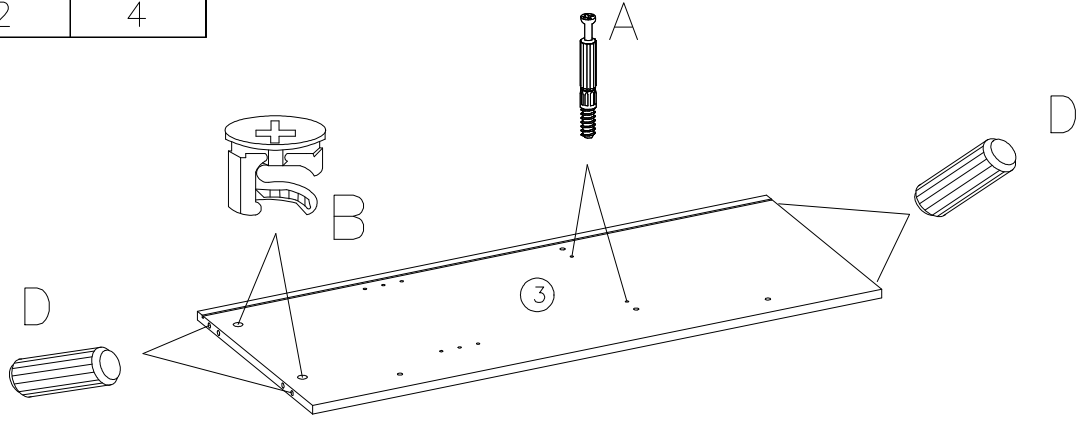
16




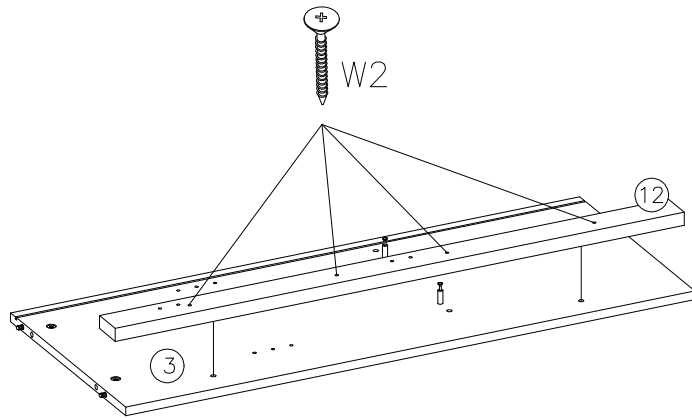
 A	 B	 8.0x30 D	 3.5x13 W8	 R2
2	4	4	4	2



 A	 B	 D
2	2	4



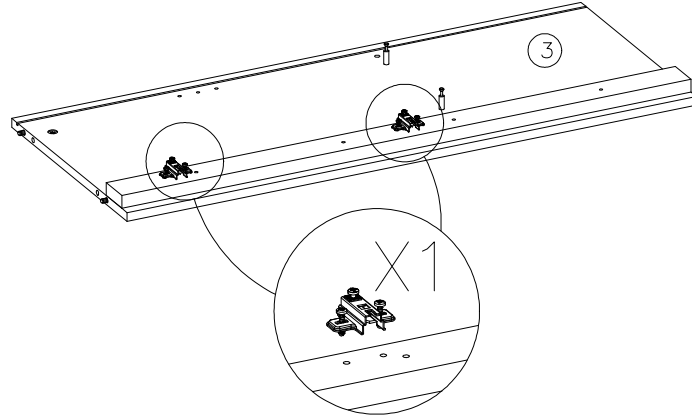
 3.5x30 W2
4





X1

2



6.4X50



K1

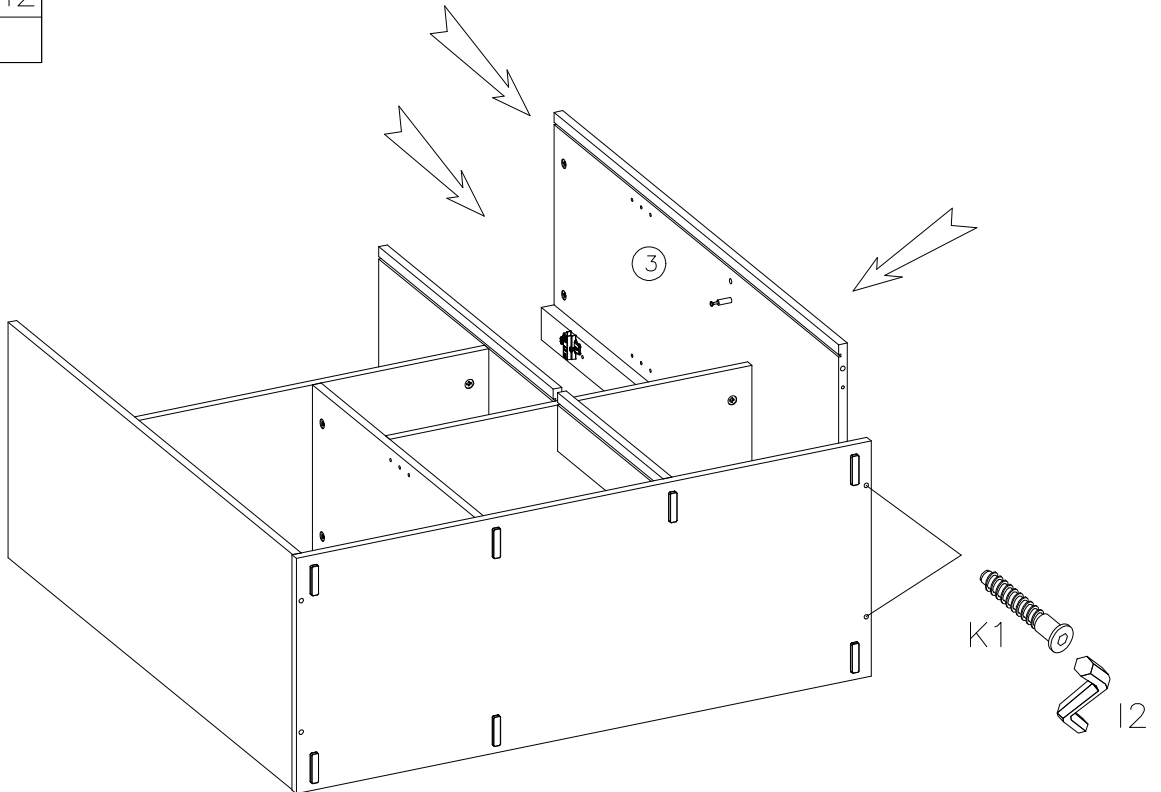
2

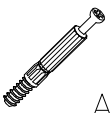

4mm

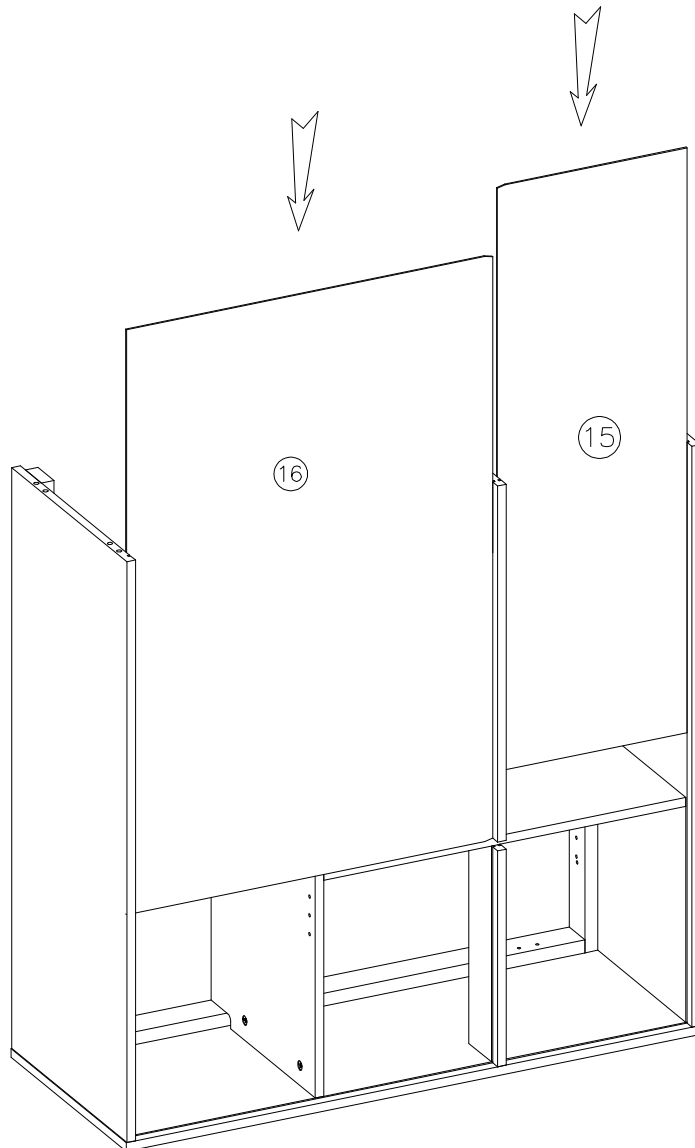
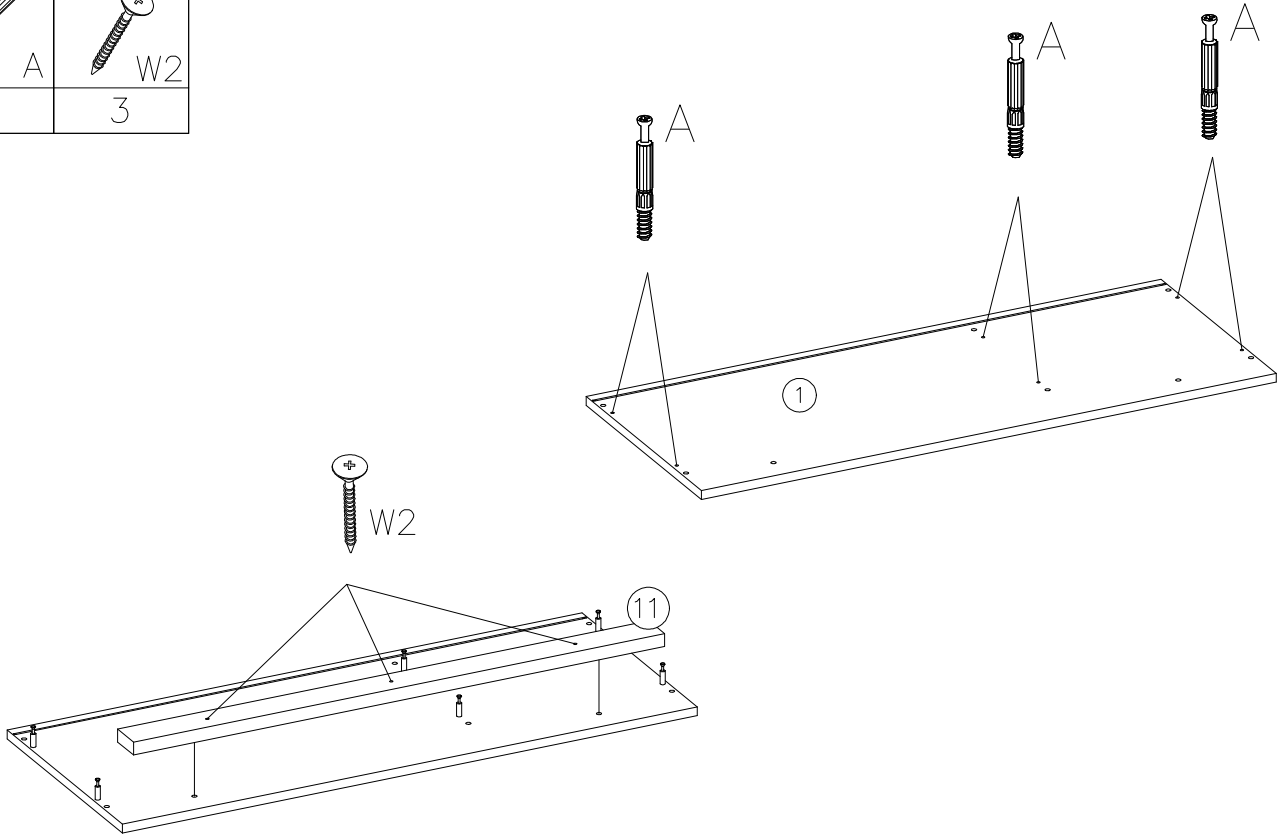


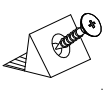
I2

1



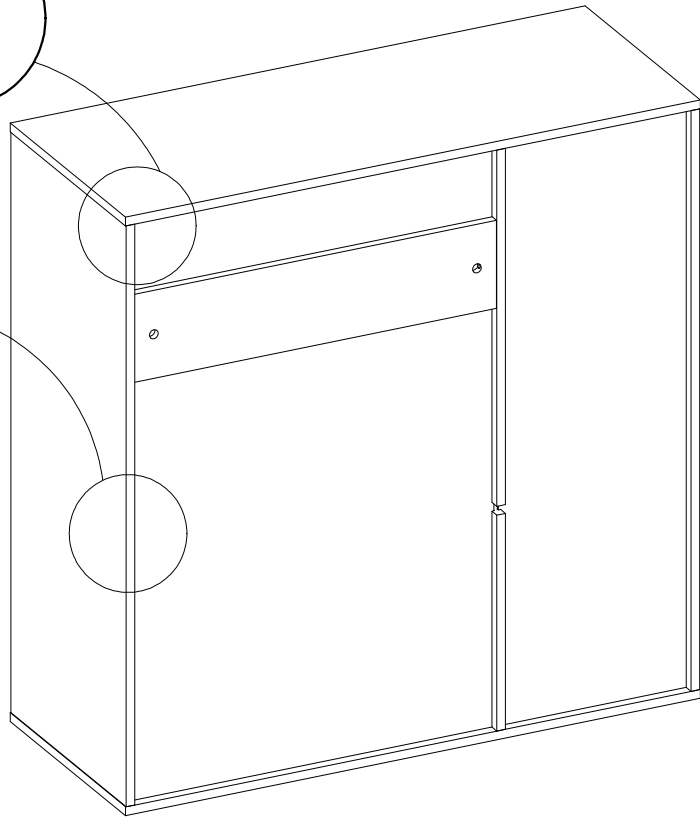
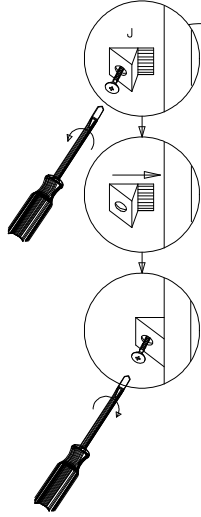
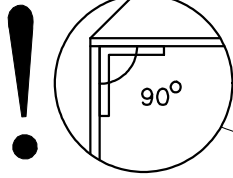
 A	3.5x30
6	 W2
3	





J

22



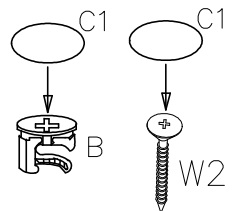
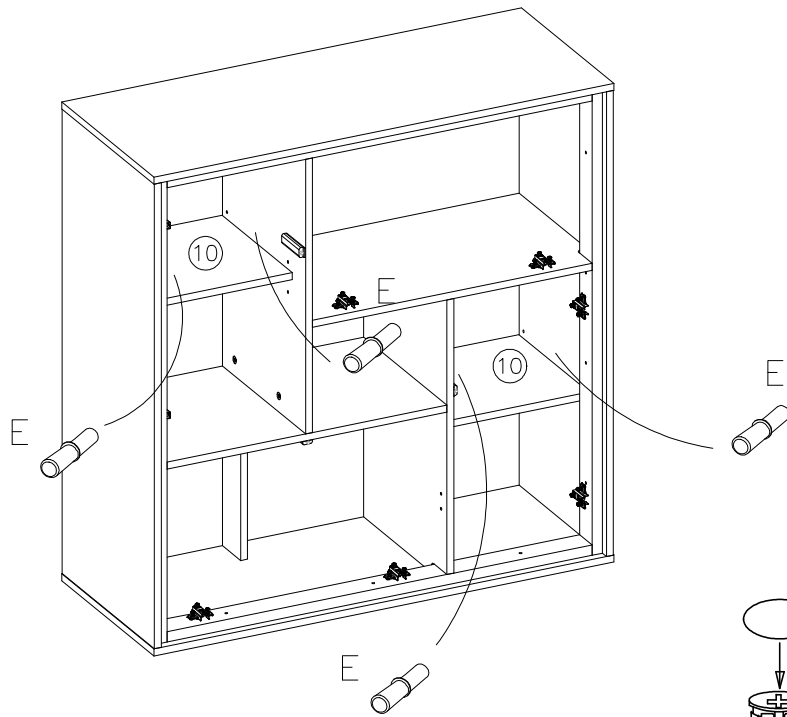
E

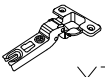

8



C1

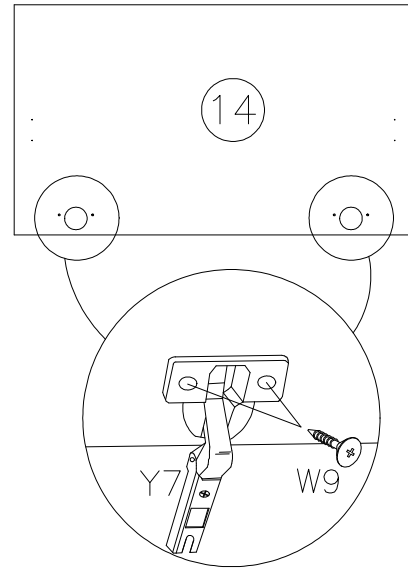
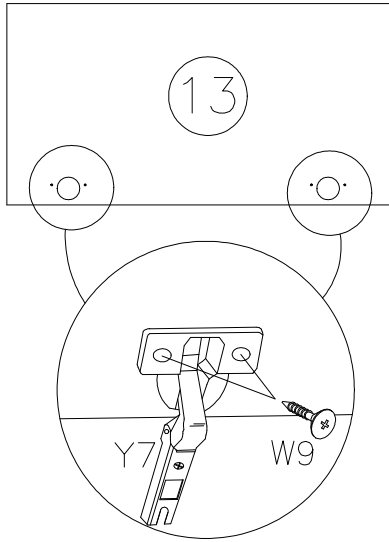
38


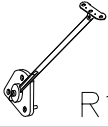


KR-8  Y7	4.0x13  W9
8	16

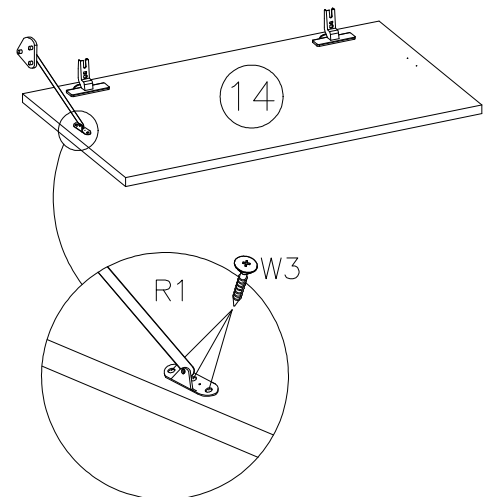
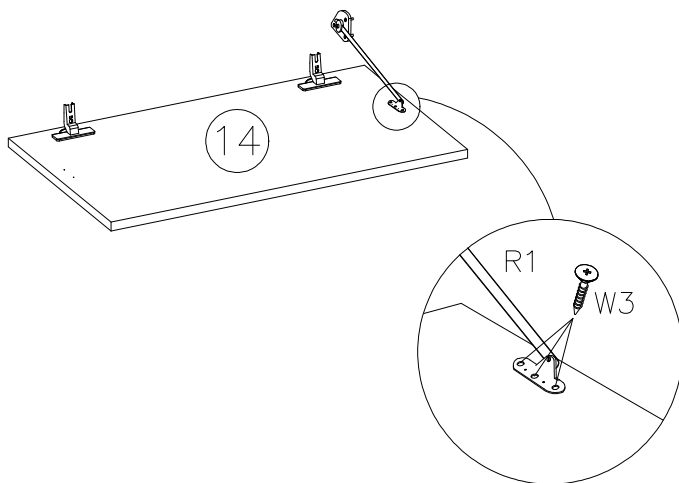
27

x2



3.0x13  W3	 R1
6	2

28



3.0x13



W3

6

