

O  ø15x12 56x	P  ø8x30 46x
---	--



Q  ø18 44x	R  4x40 2x
--	--



S  4x16 4x	T  3x16 66x
--	---

Y  6x	Z  8x
--	--

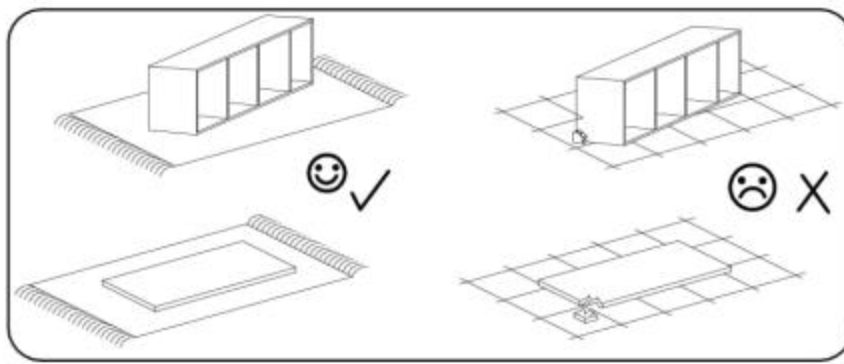





U  ø8x40 2x	W  48x
---	---

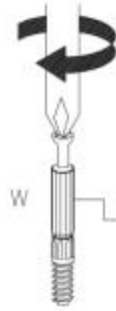
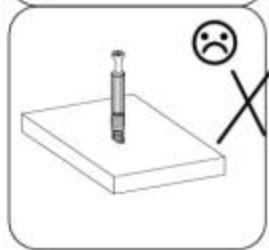
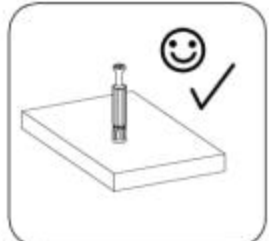
X  6x	Z3  2x
--	---

Z1  ø8x60 4x	Z2  4x
--	---

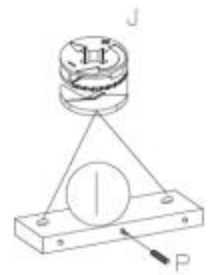
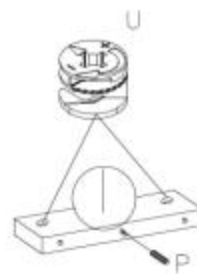
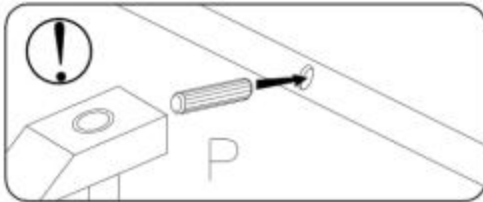
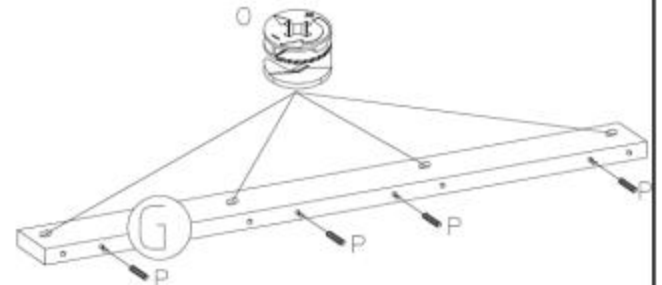
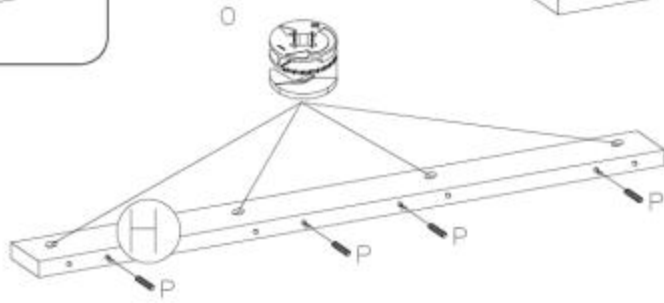
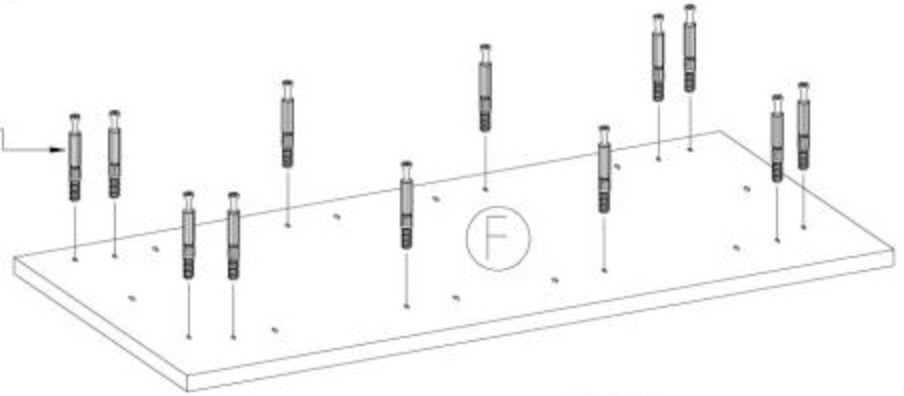
1



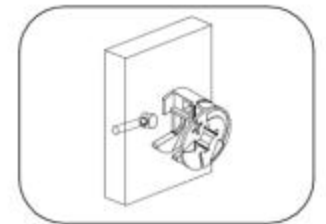
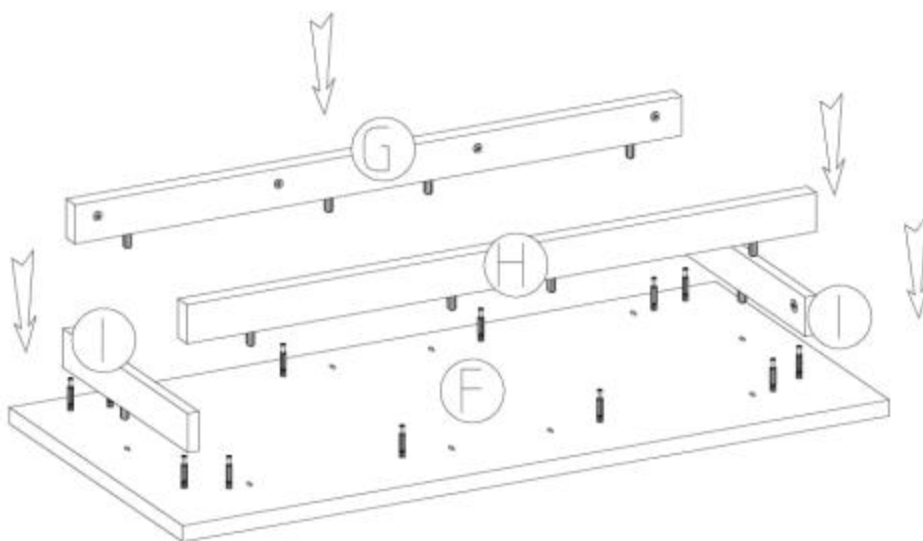
O		12x
P		10x
W		12x



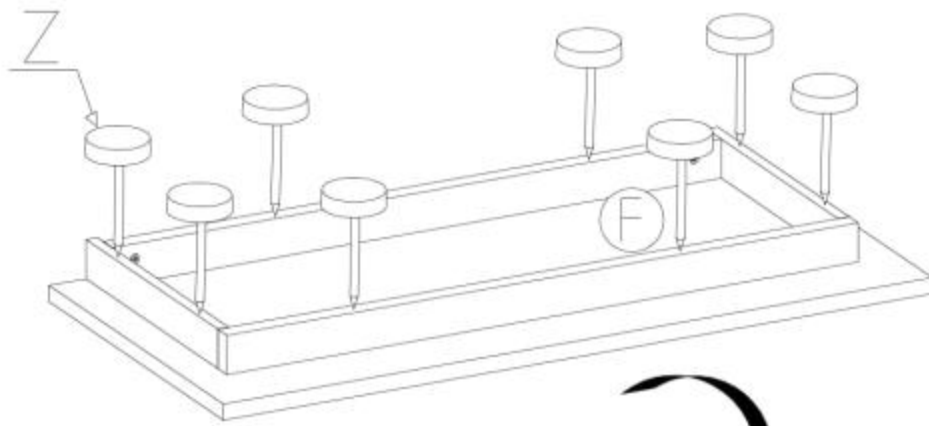
W



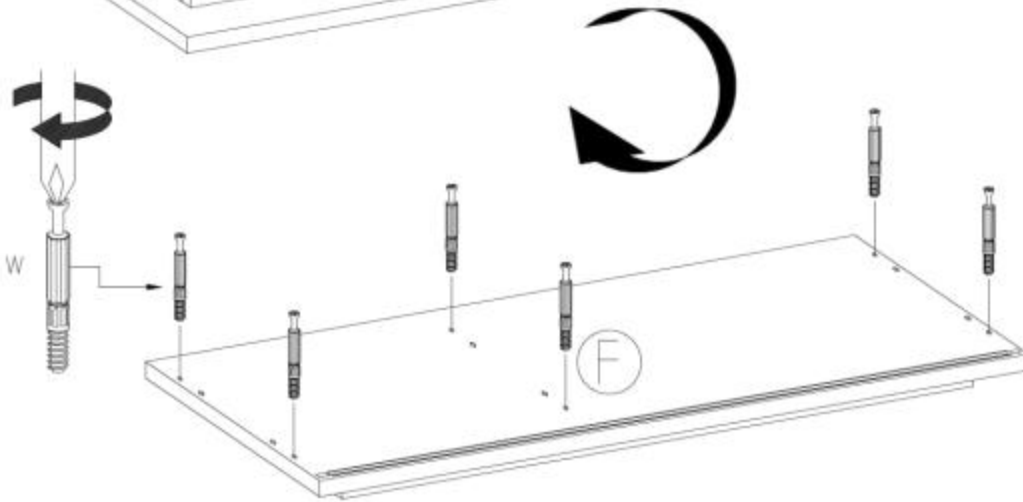
2



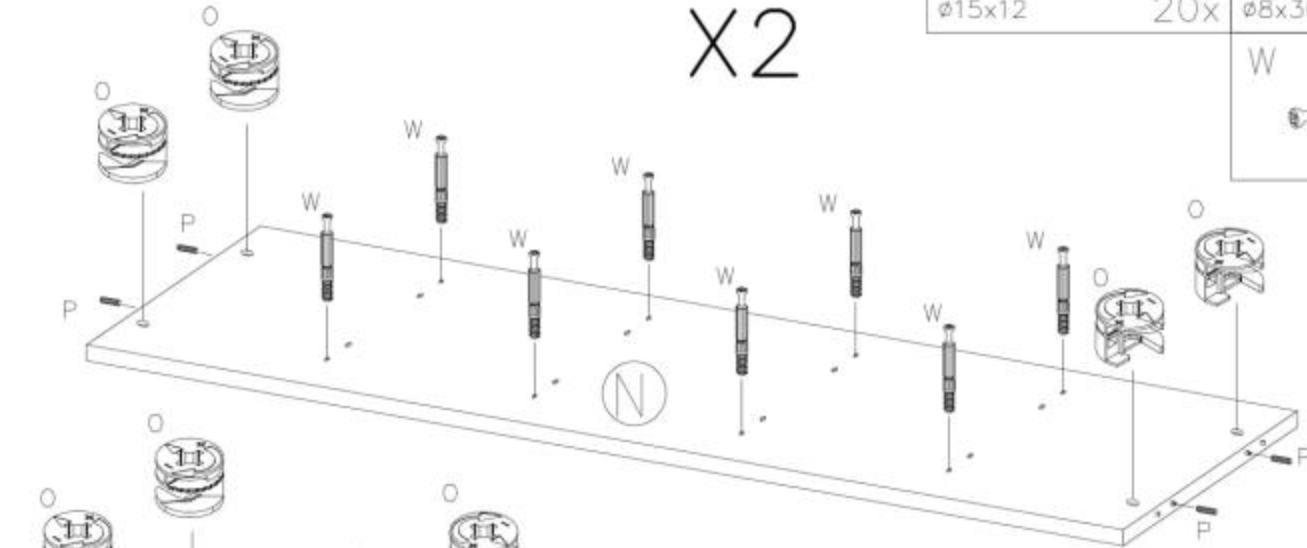
3



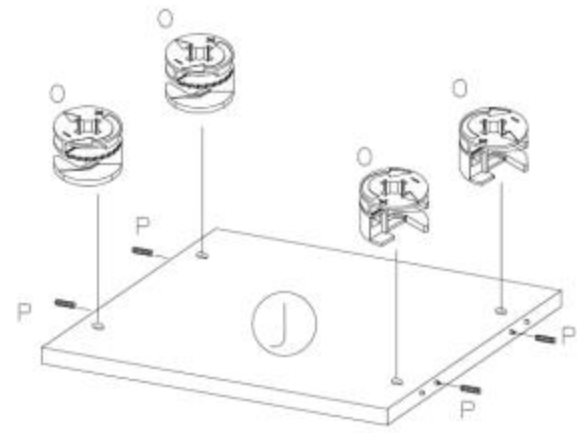
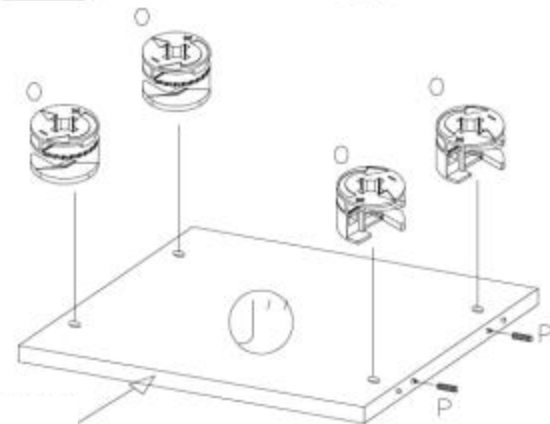
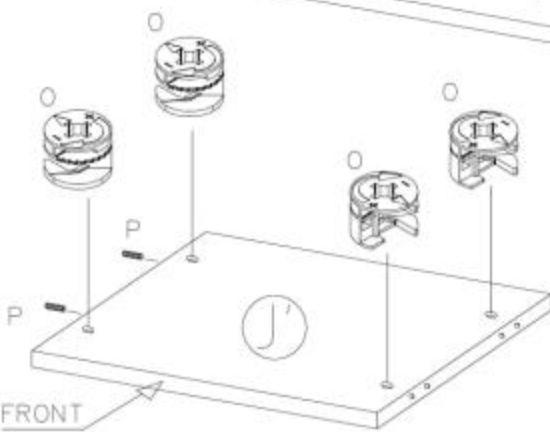
W		6x
Z		8x



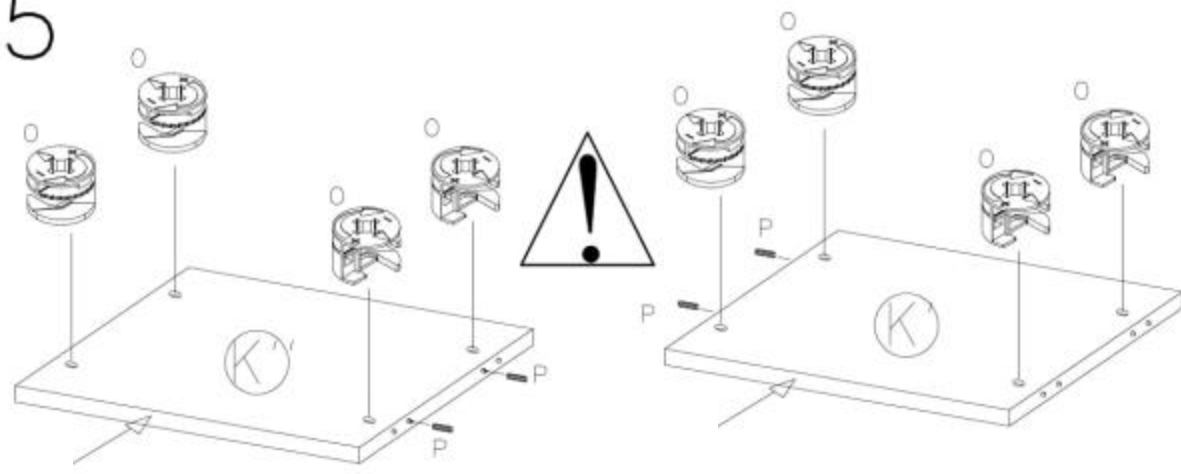
4



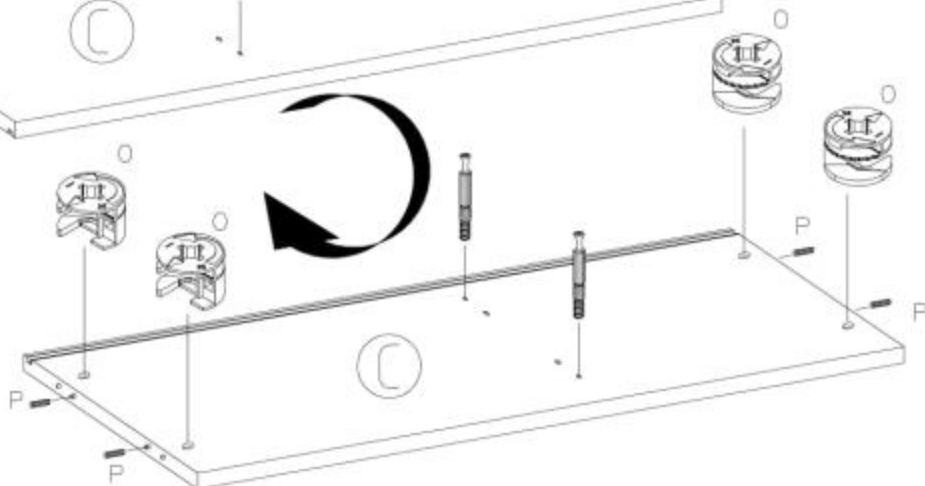
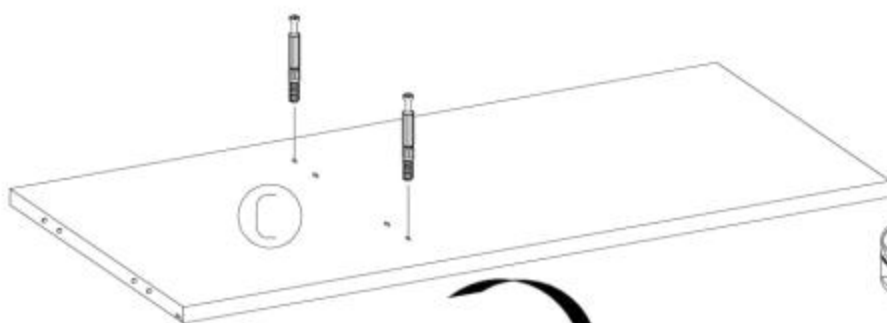
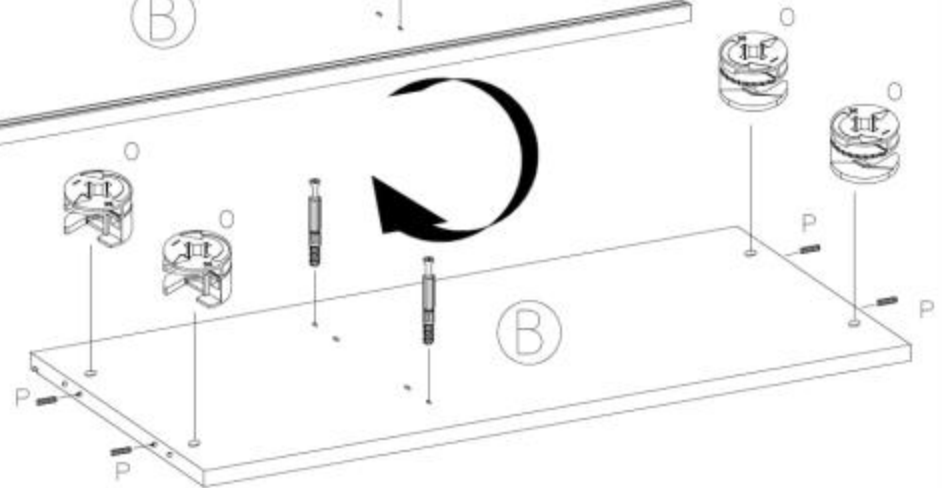
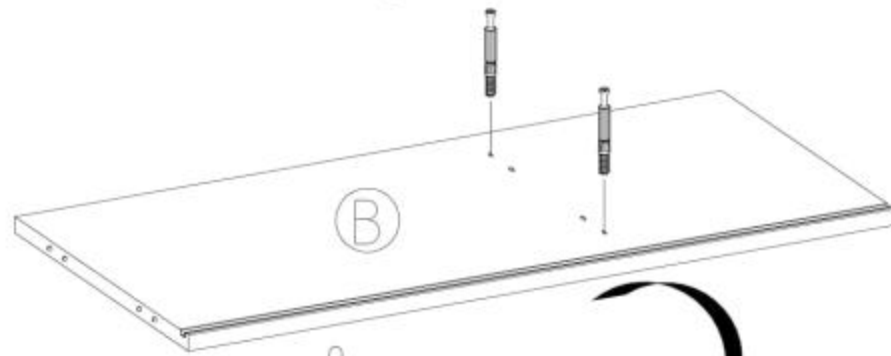
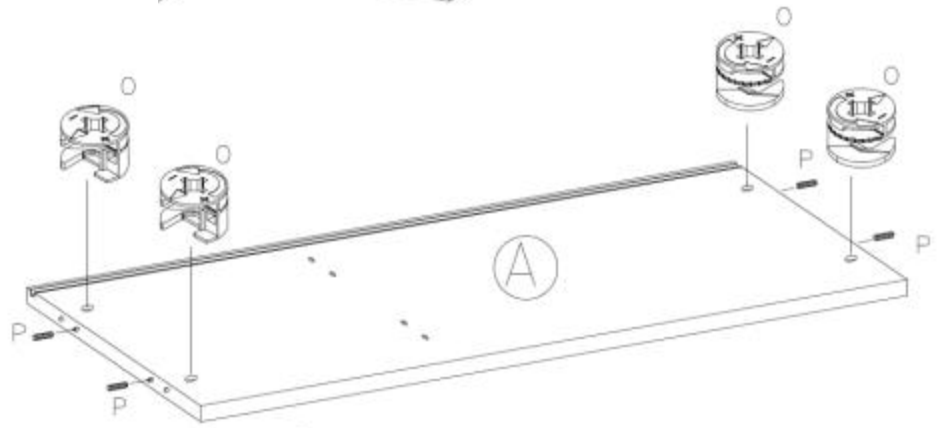
O		20x
P		16x
W		16x



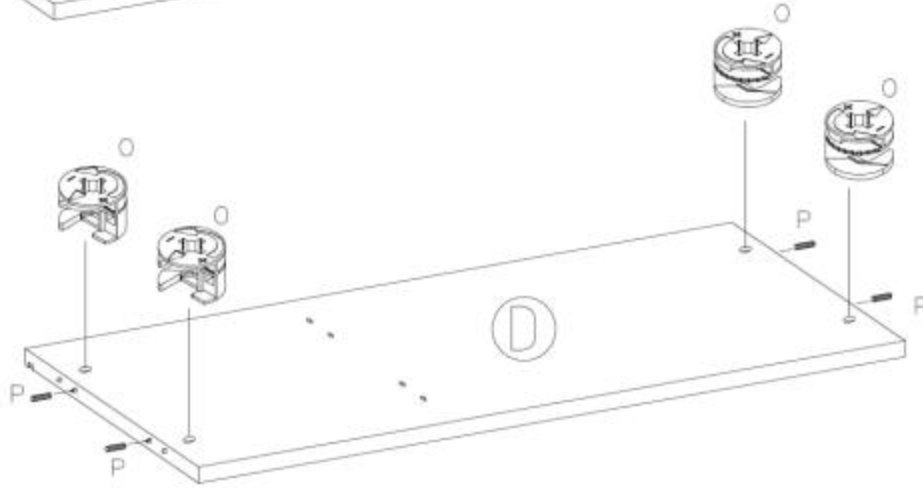
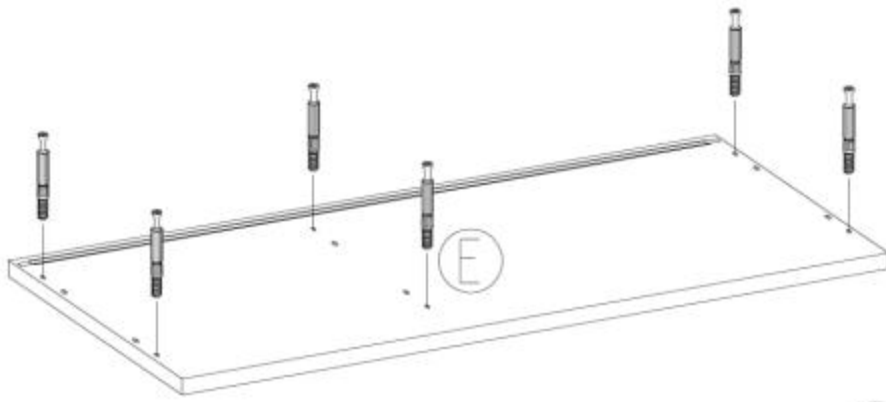
5



O		20x
P		16x
W		8x



6

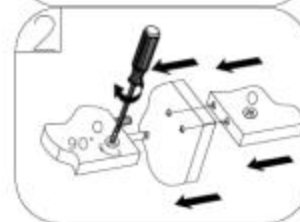
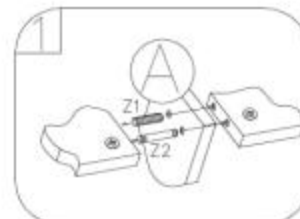
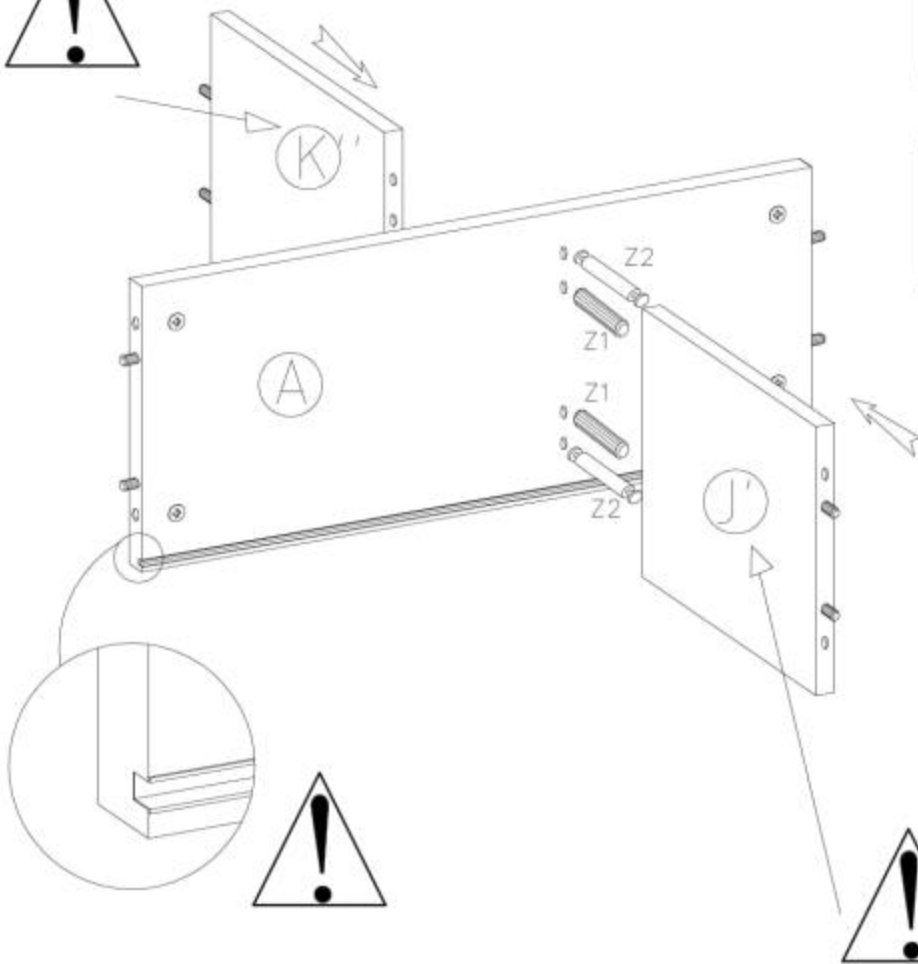


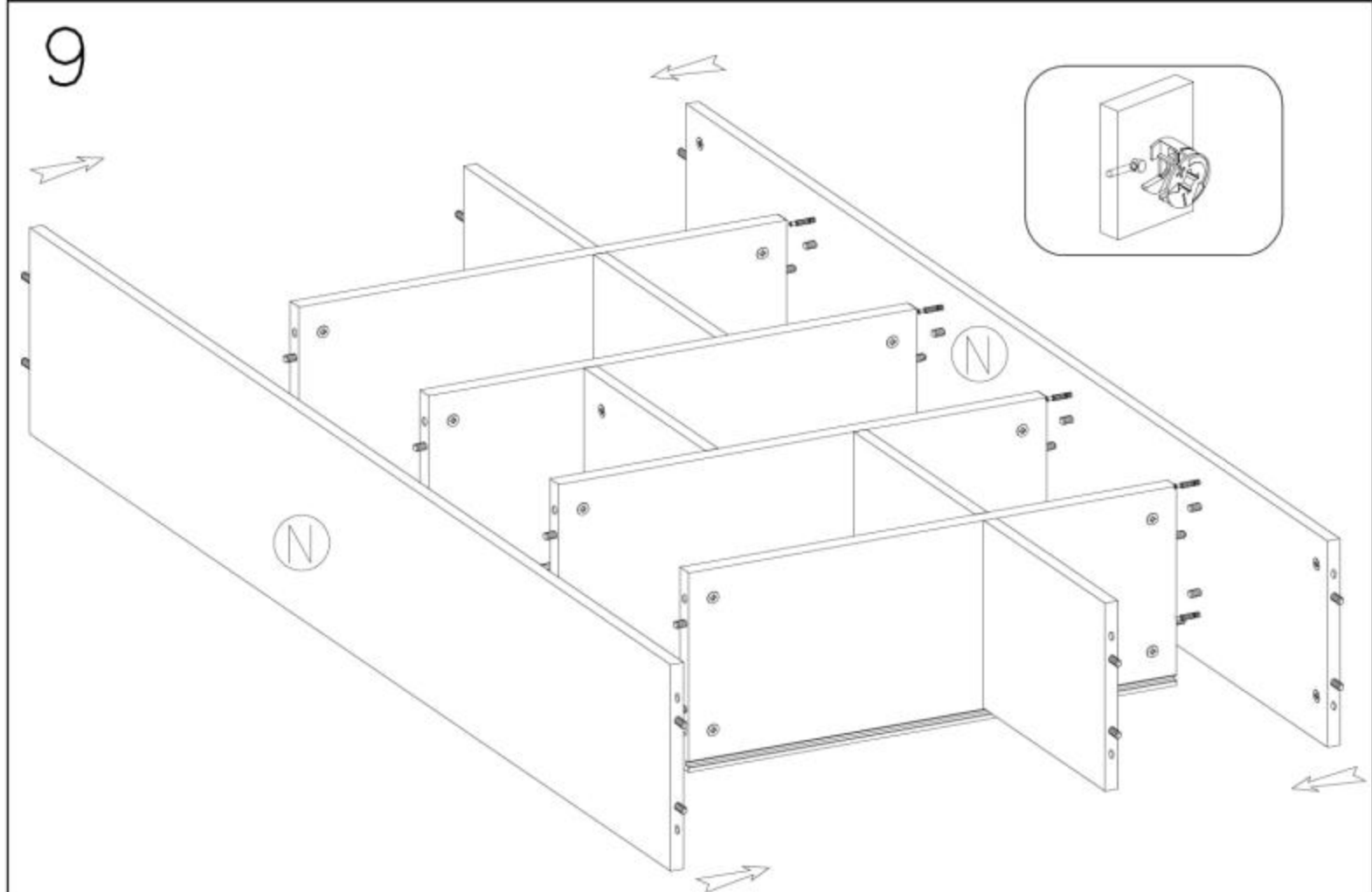
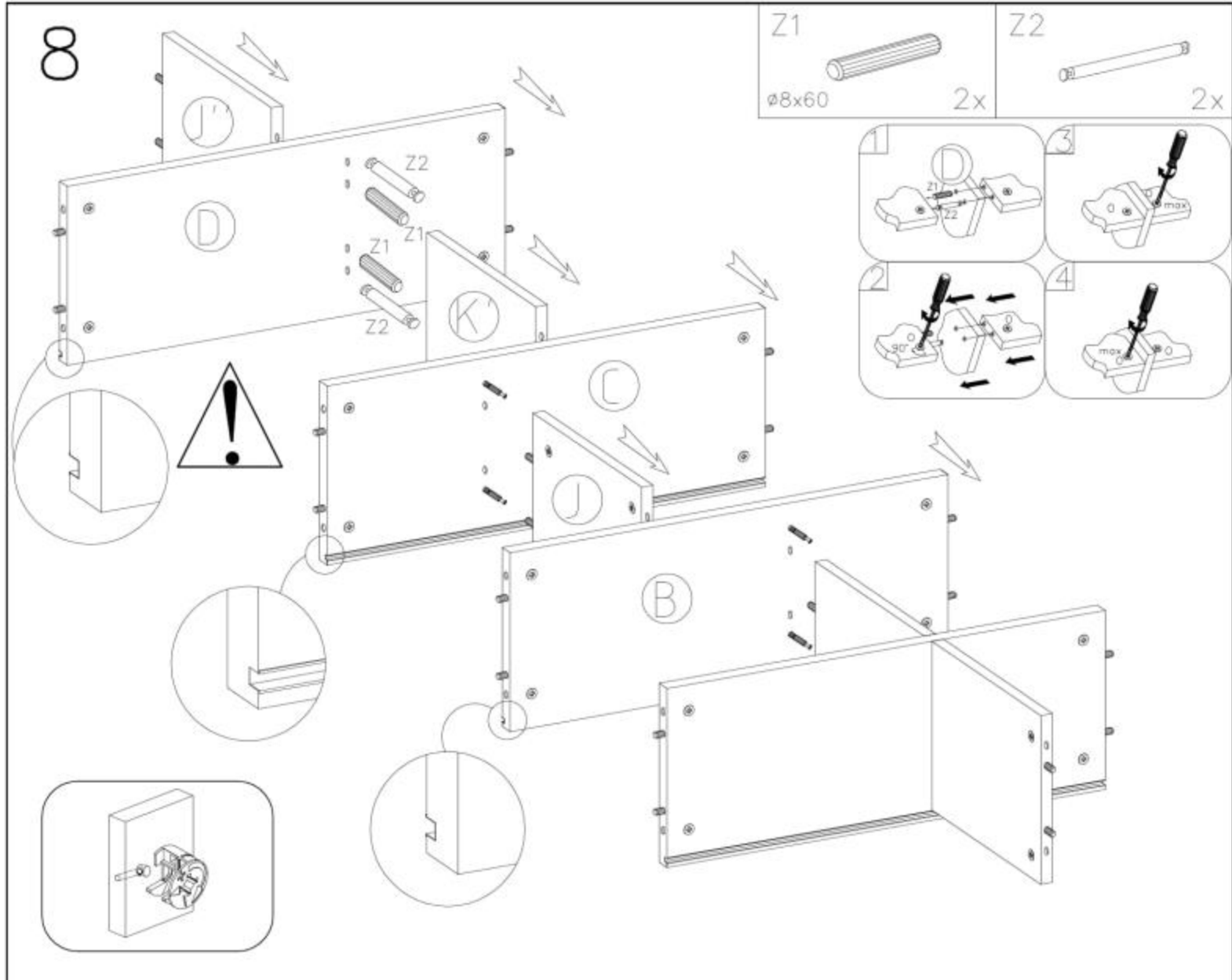
O		4x
	Ø15x12	
P		4x
	Ø8x30	
W		6x

7

Z1		2x
	Ø8x60	

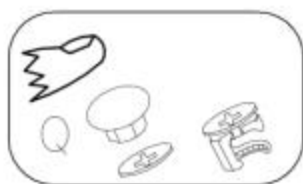
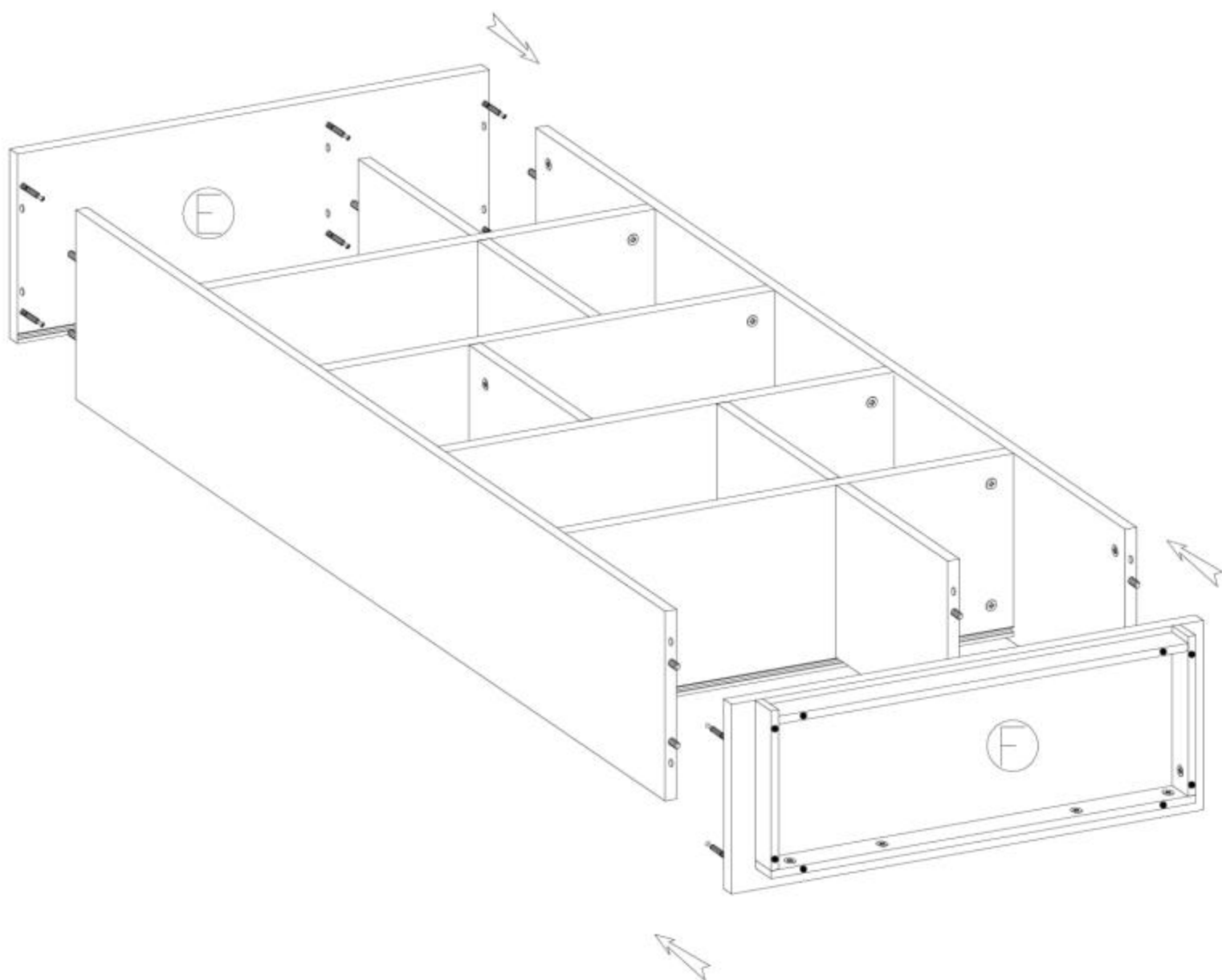
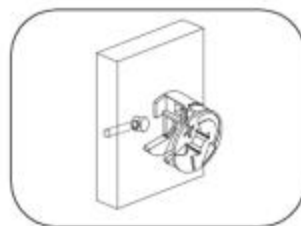
Z2		2x
----	--	----





10

Q
ø18
44x



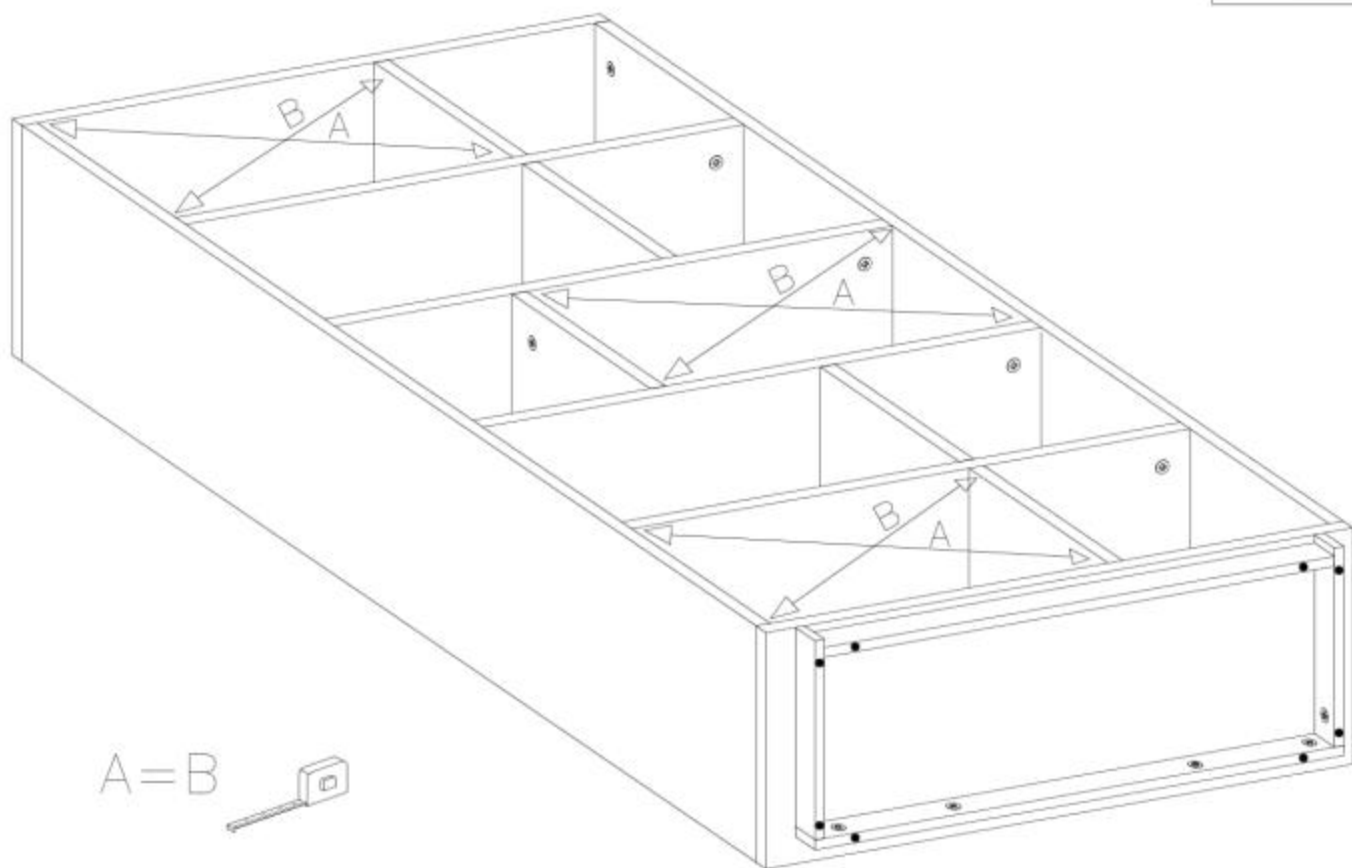
11

T

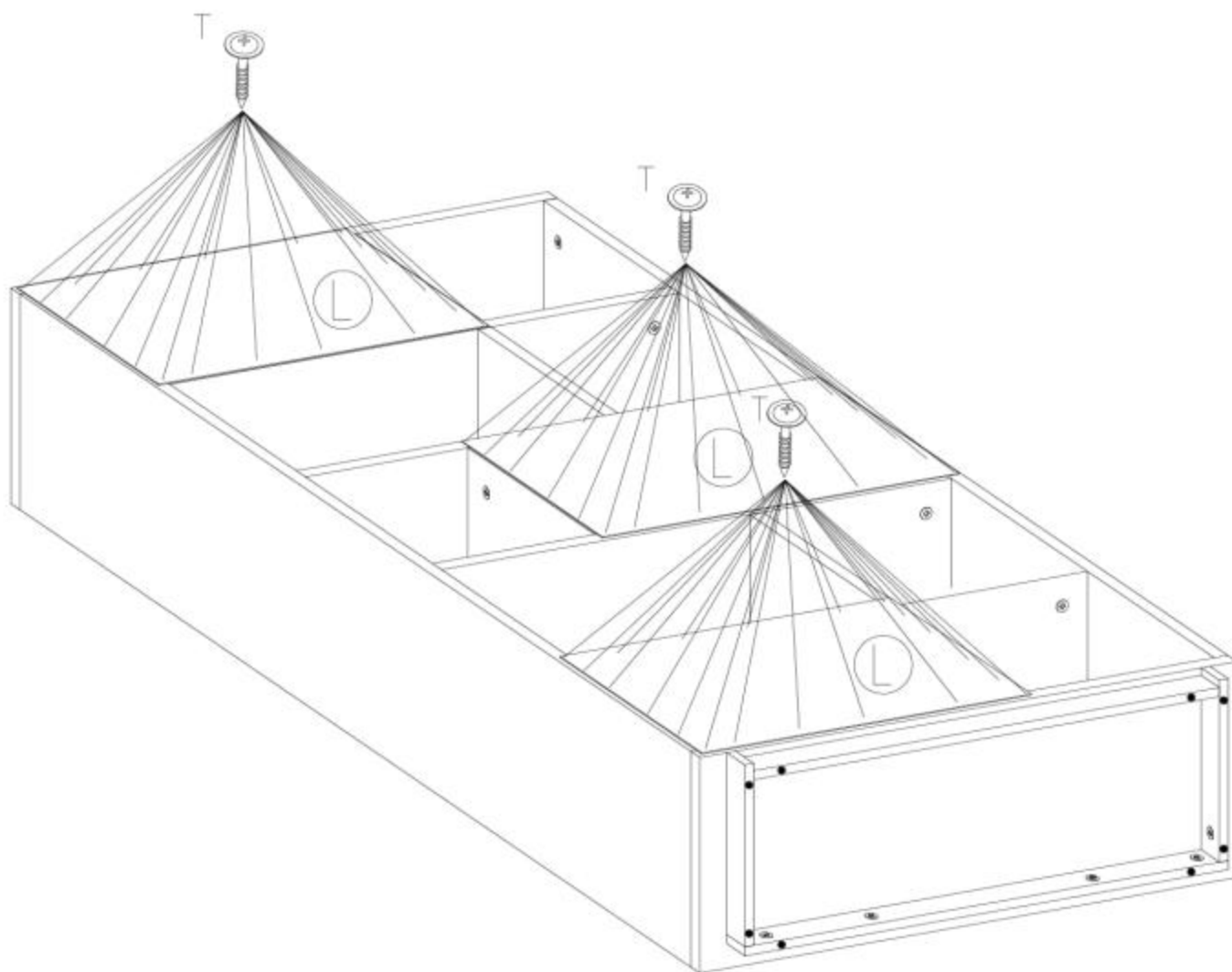


3x16

54x



A=B



12

T
3x16
12x



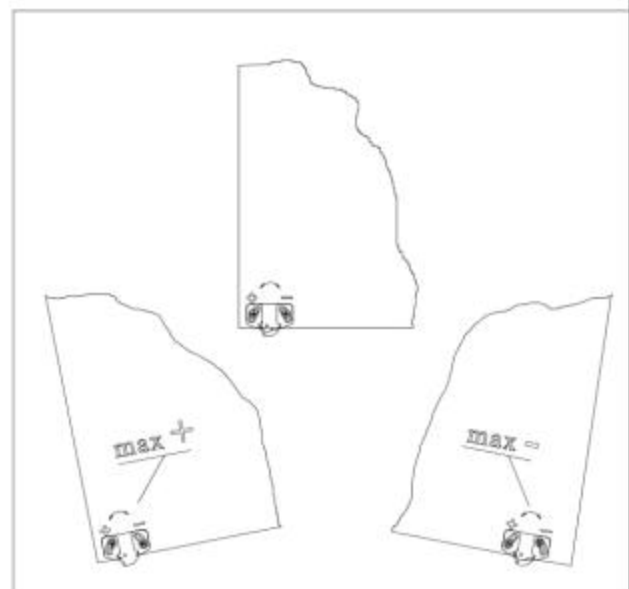
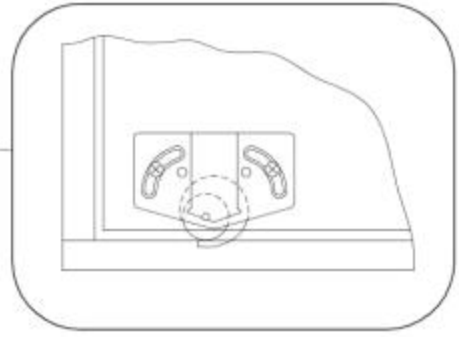
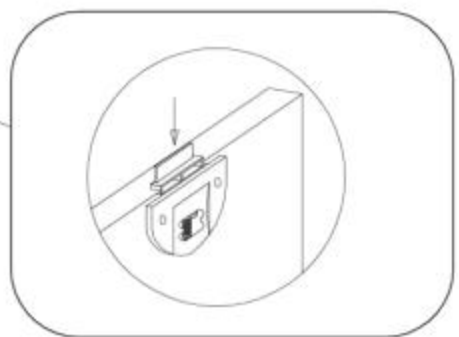
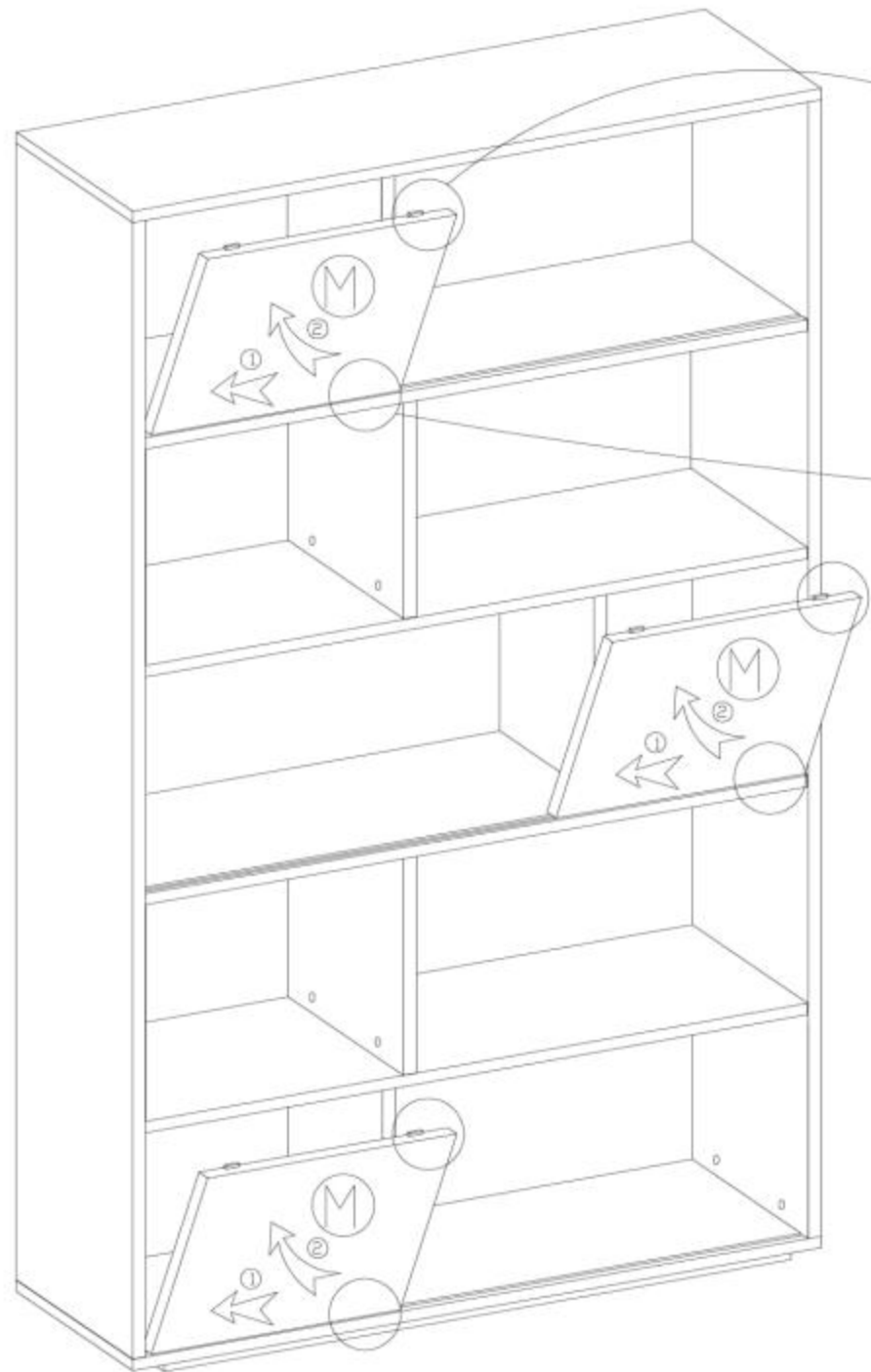
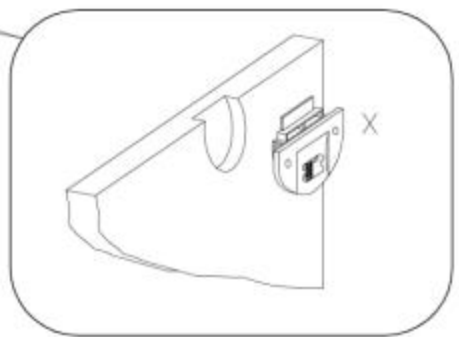
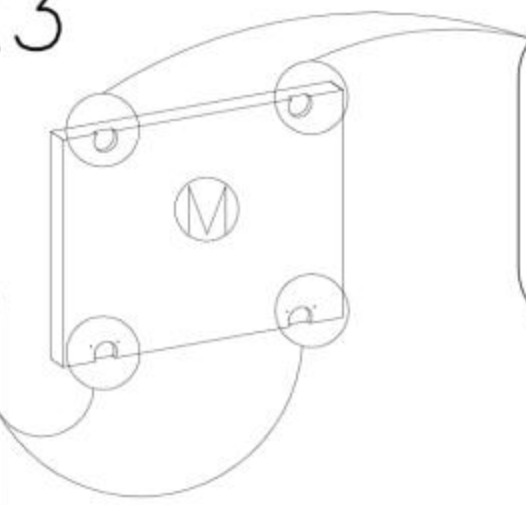
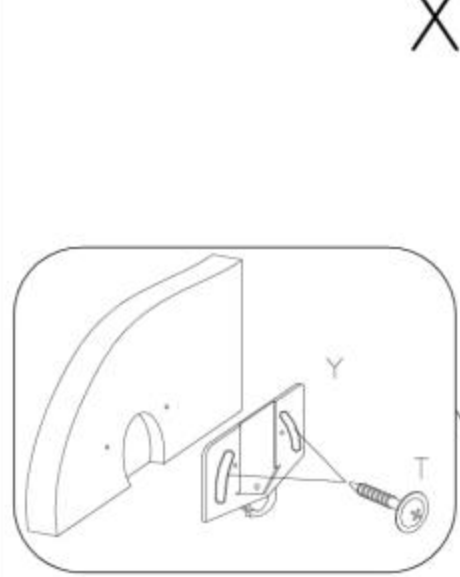
X
6x



Y
6x



X3



13

Z3  2x 4x40	R  2x 4x16	S  4x 4x16	U  4x ø8x40	2x
---	--	--	---	----

