

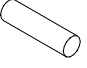





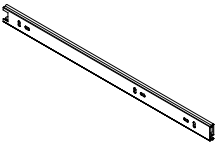
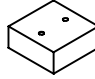
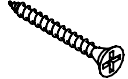
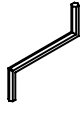
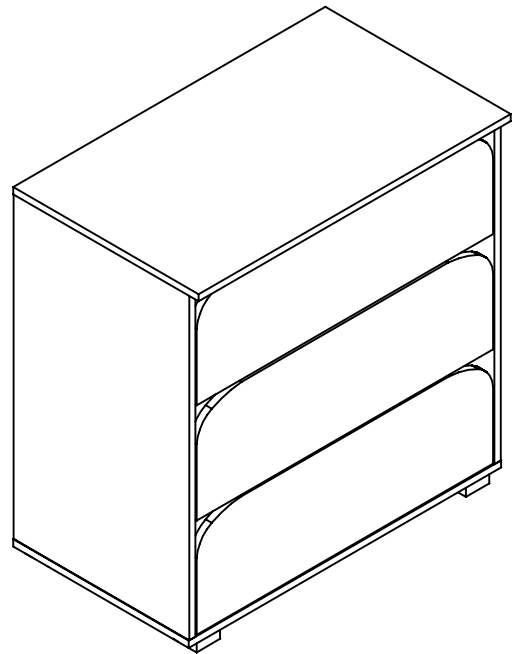
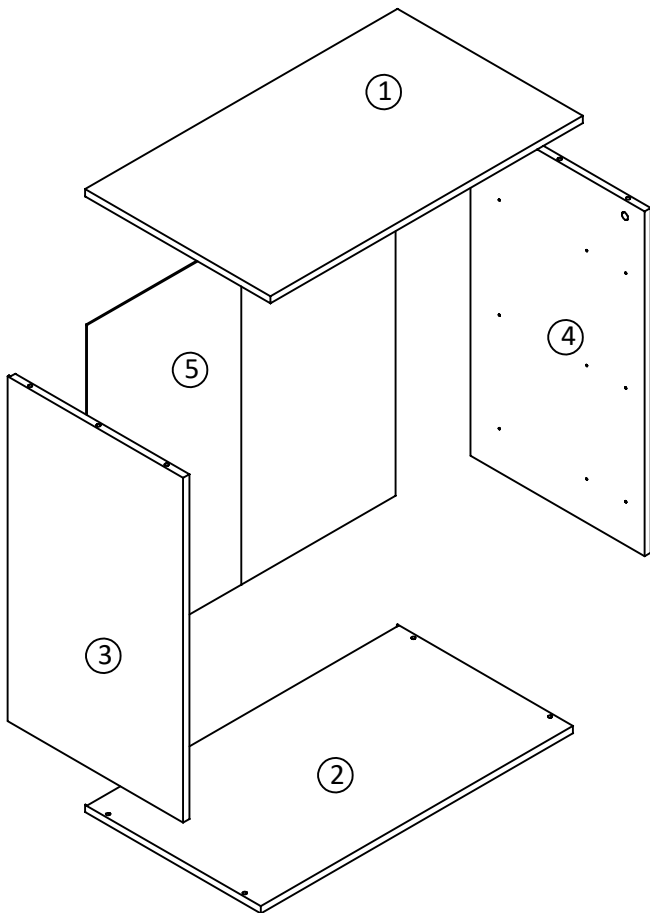
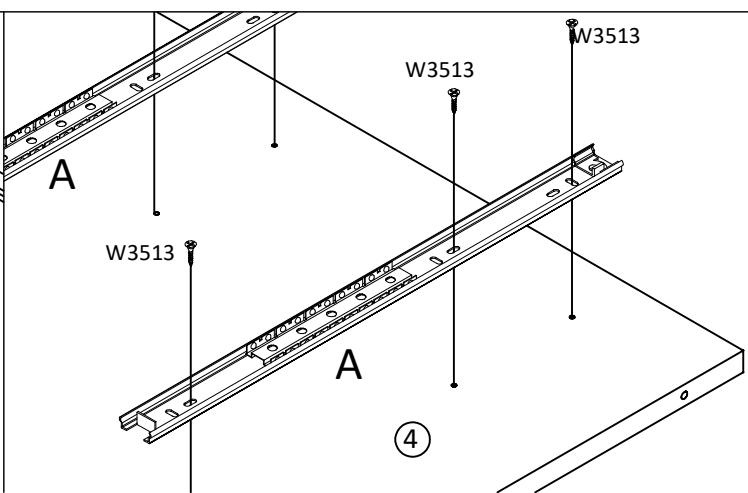
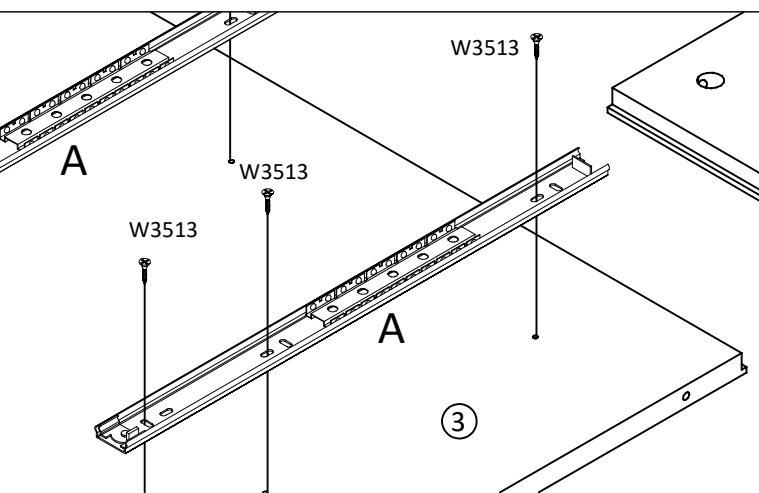
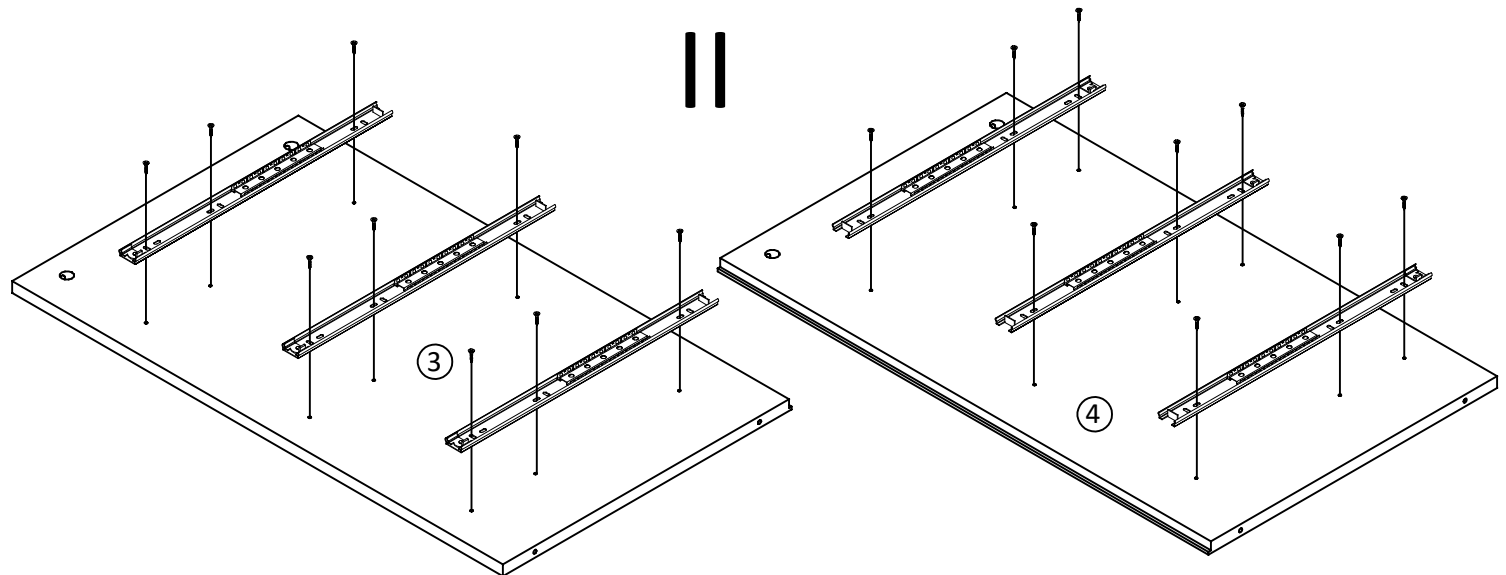
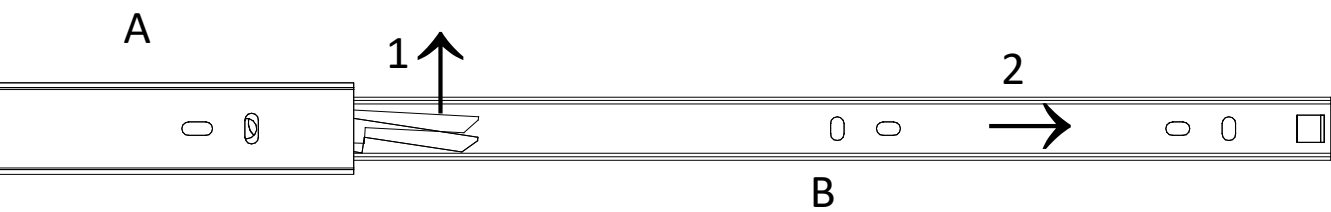
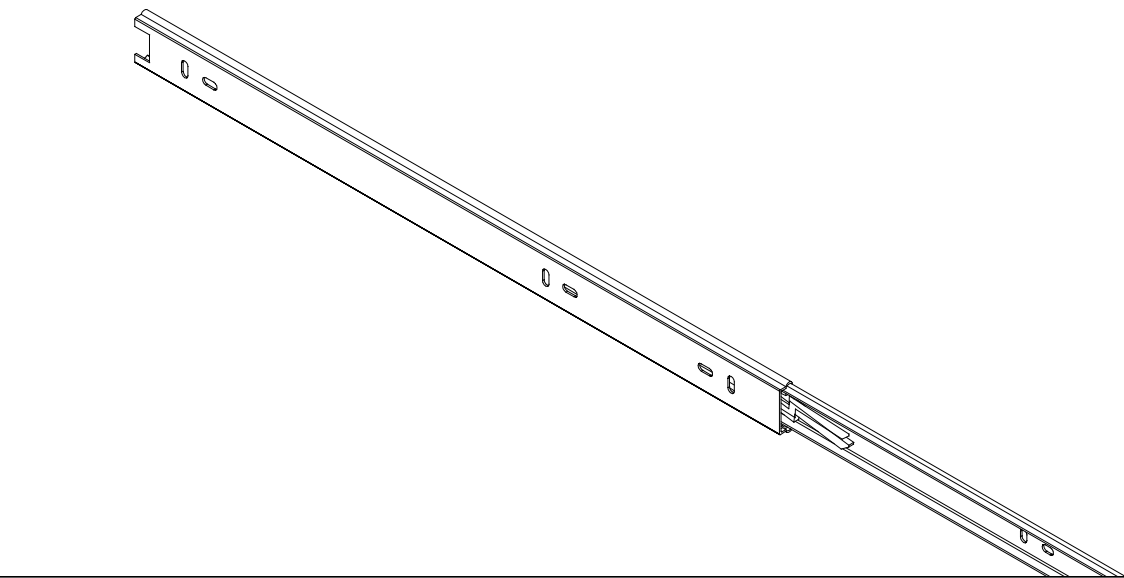
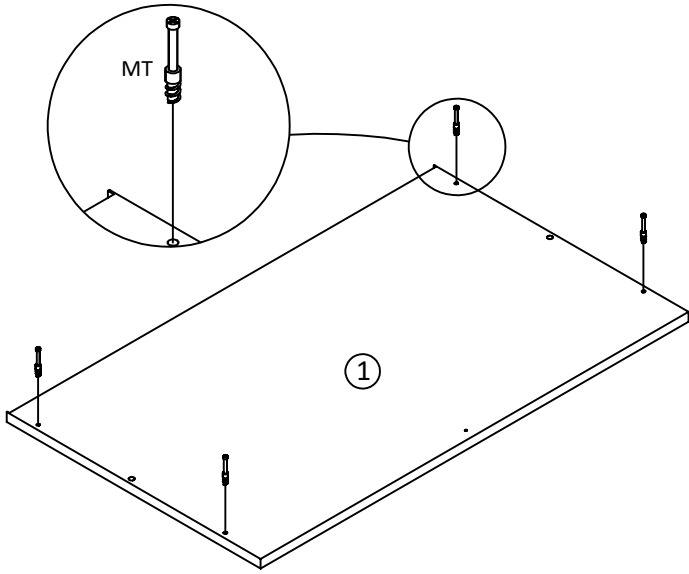
 MT	 M	 7x50 WK5	 8x30 D8	 3.5x13 W3513	 3.5x16 W3516	 A02
x16	x16	x16	x2	x36	x1	x30
 A06	 A05	 PK		 S2		 3.5x30 WS
x1	x1			x6	x4	x8
 A01						
x1						



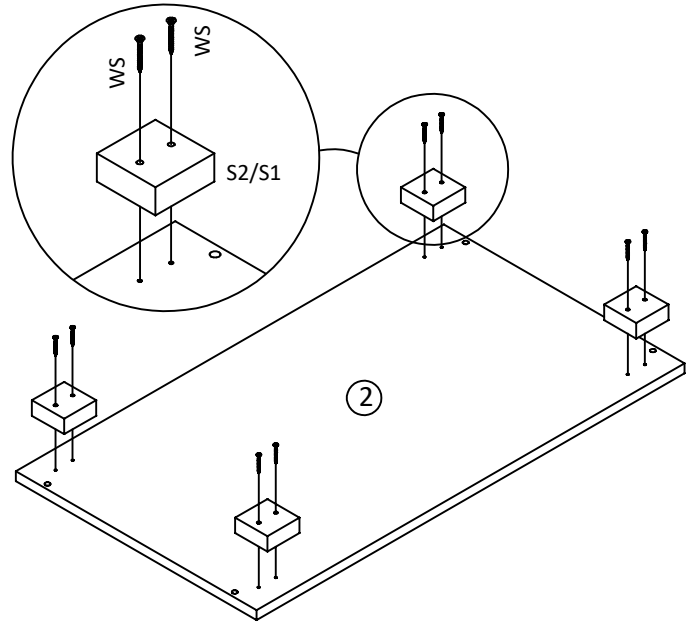
I



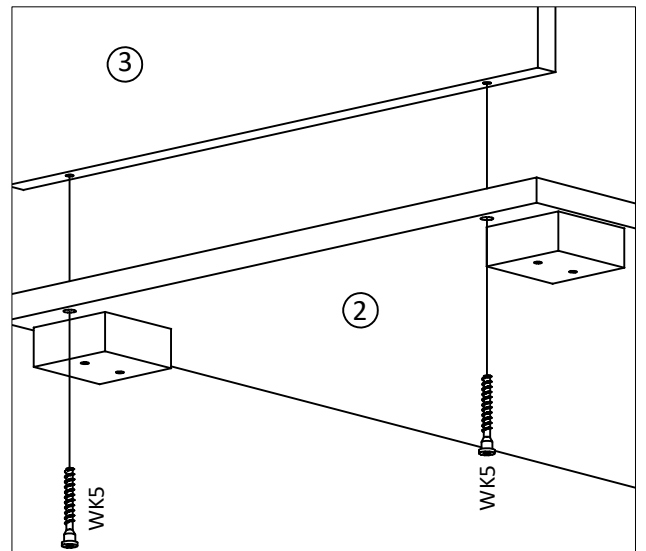
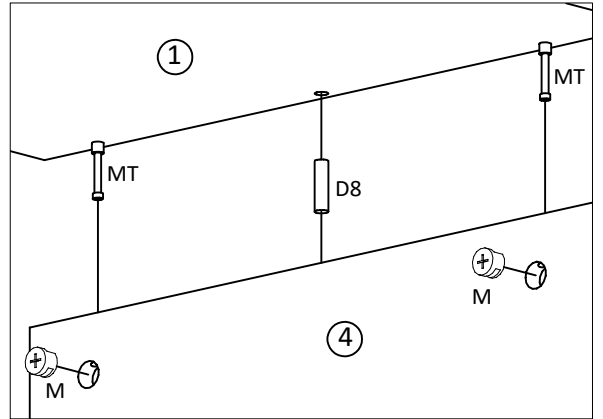
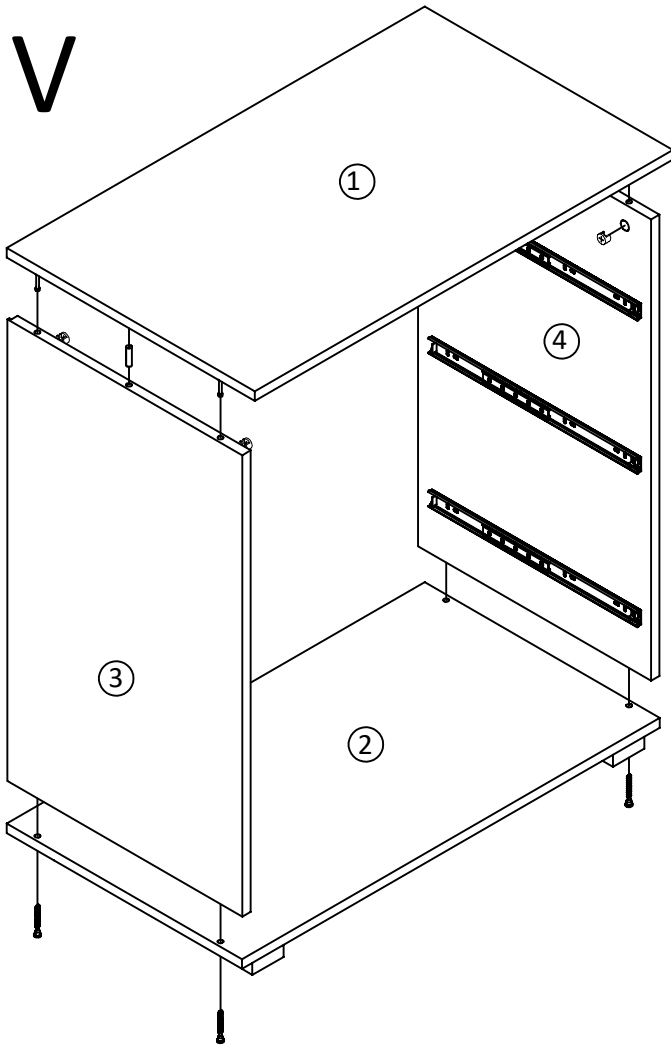
III



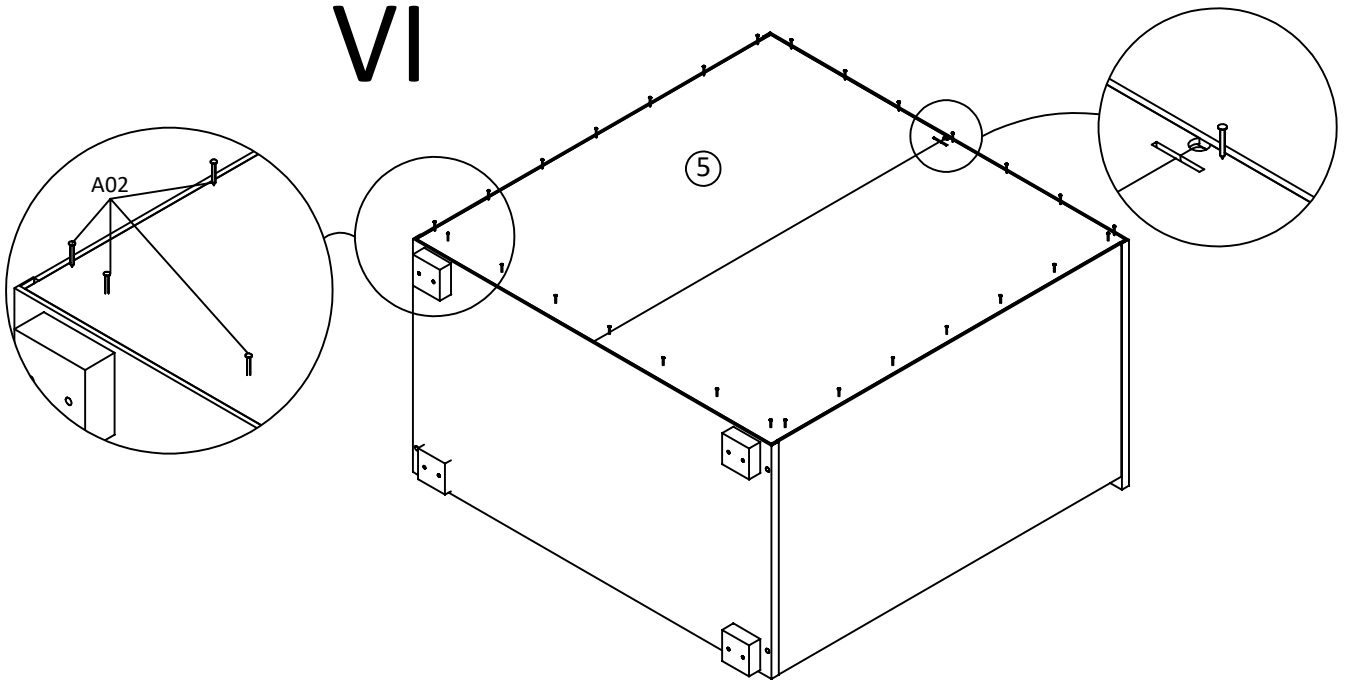
IV



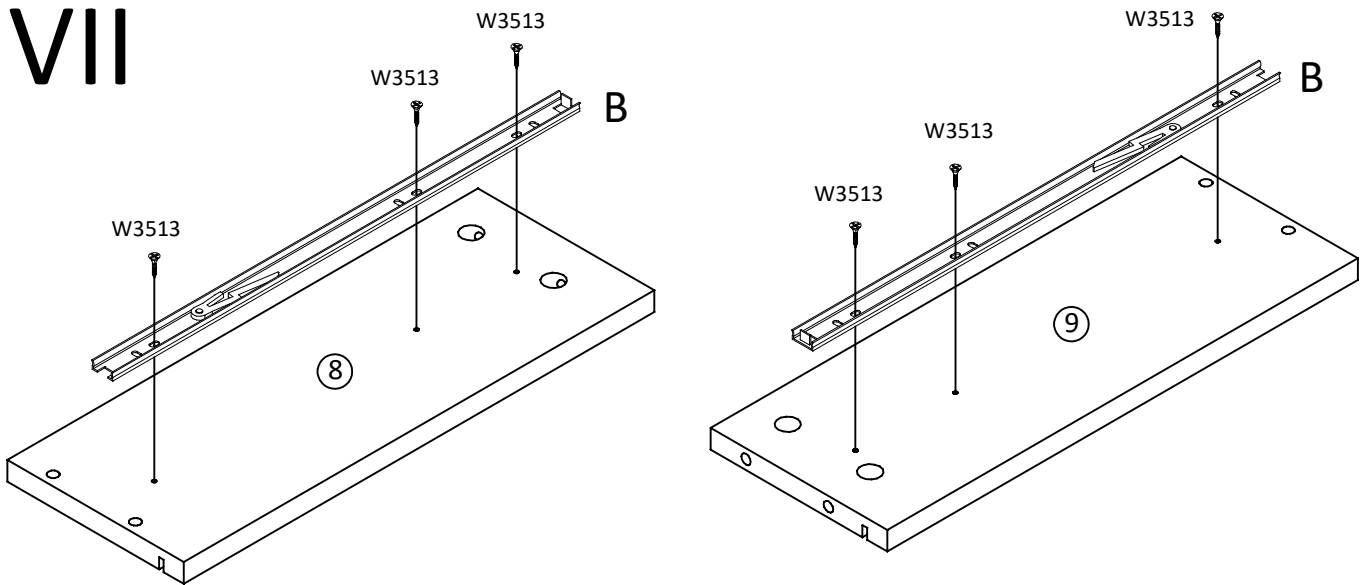
V



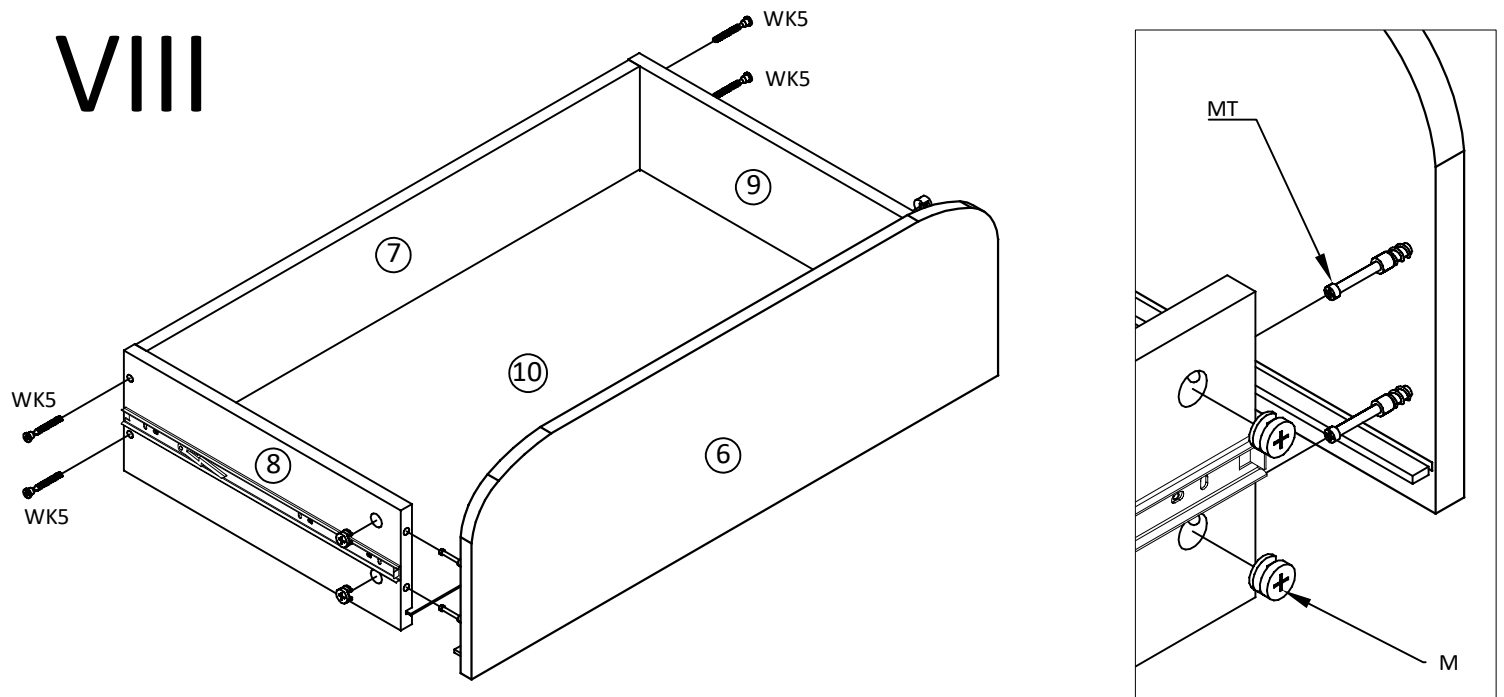
VI



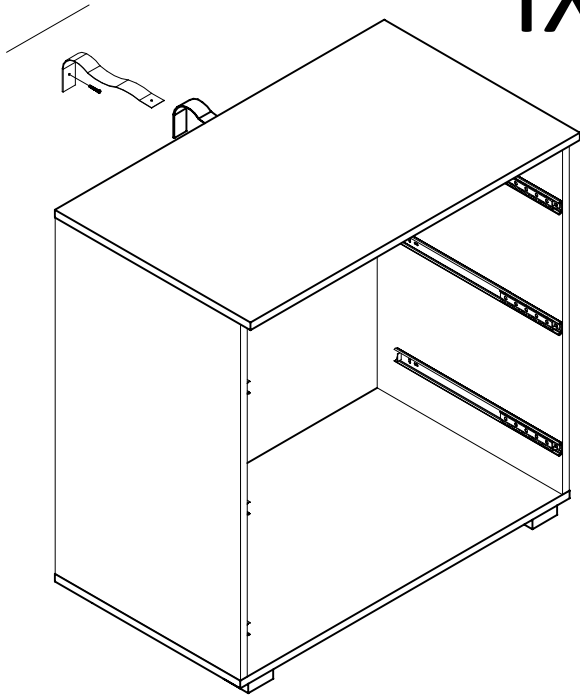
VII



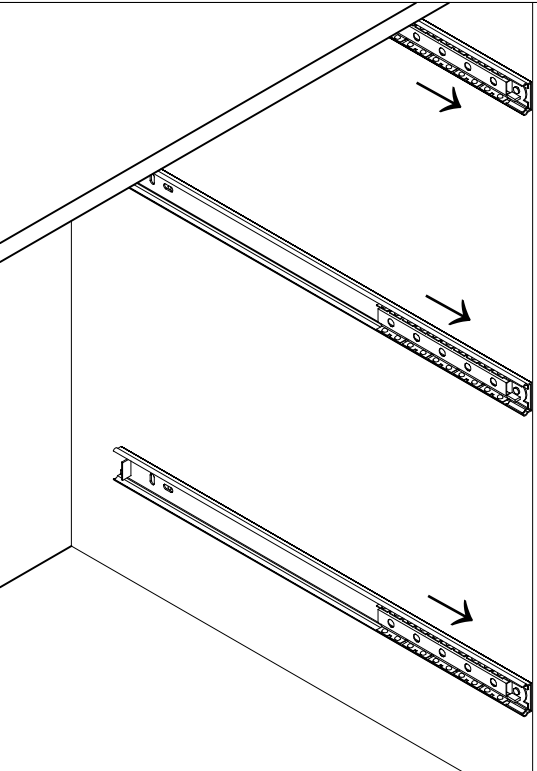
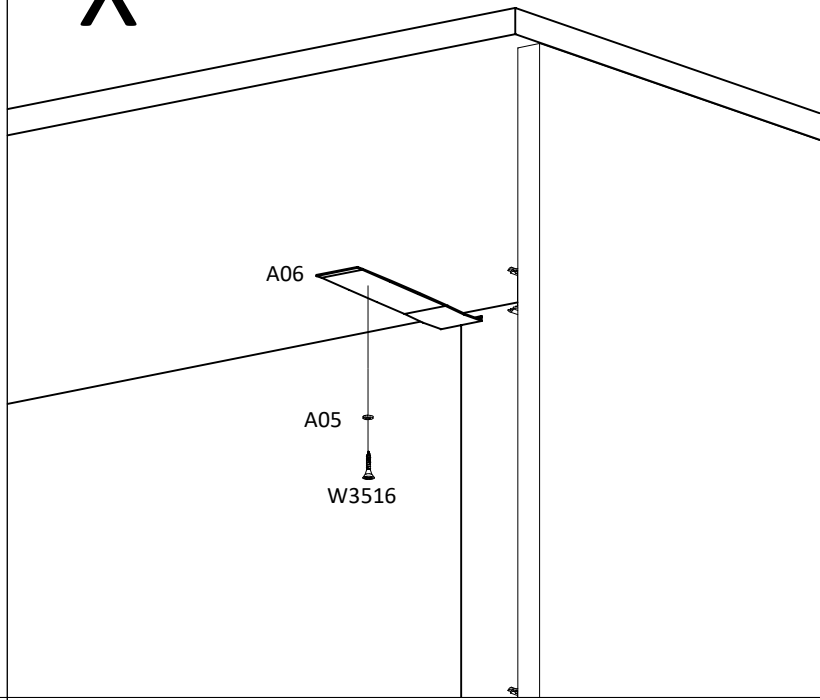
VIII



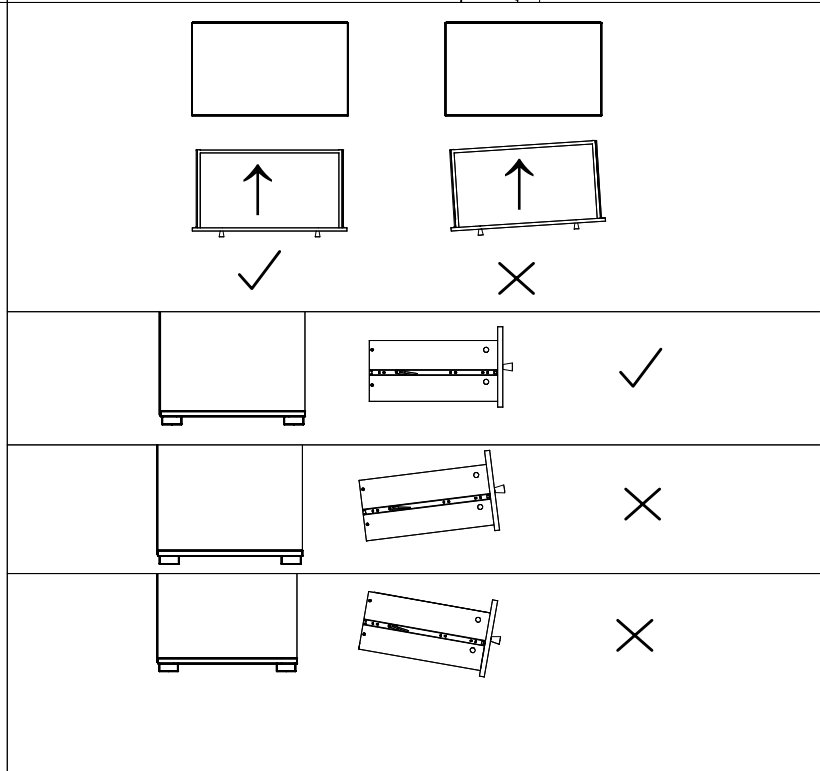
IX



X



XI



XII

