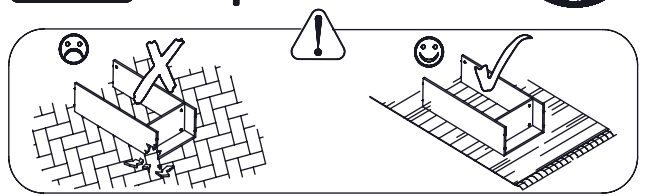
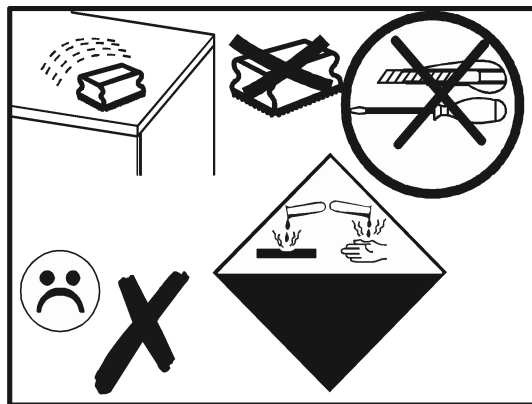
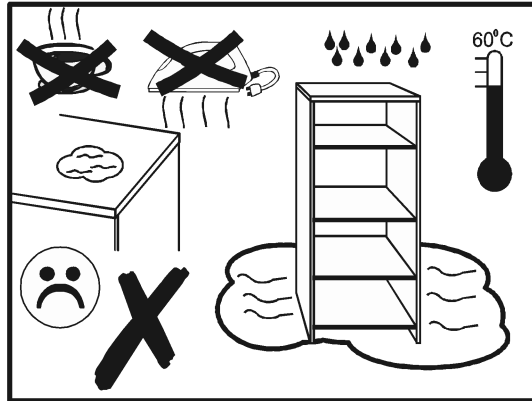
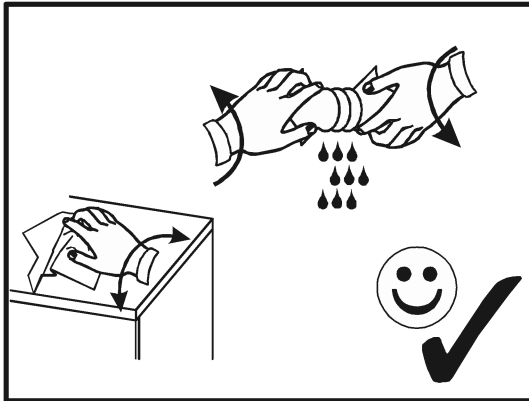
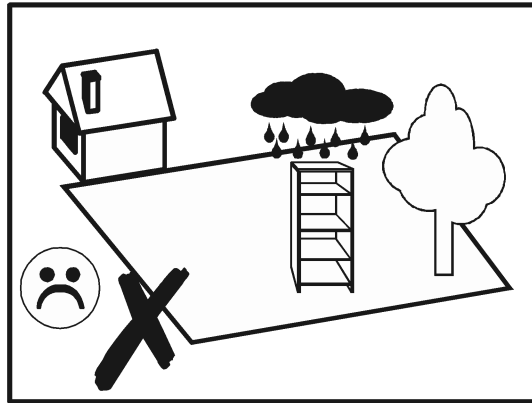
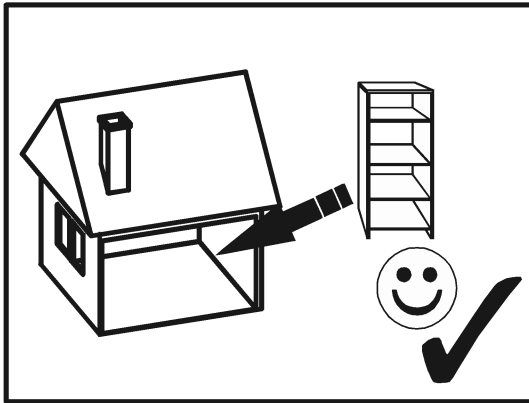


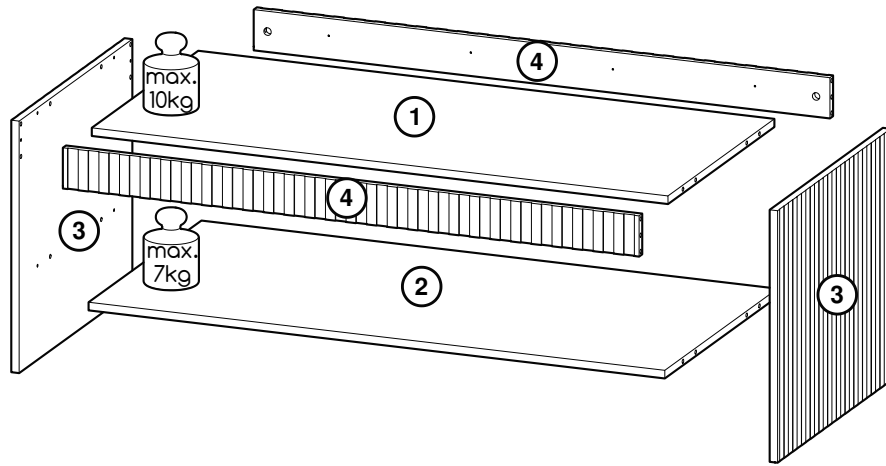
[ 1 ]



v 1.0

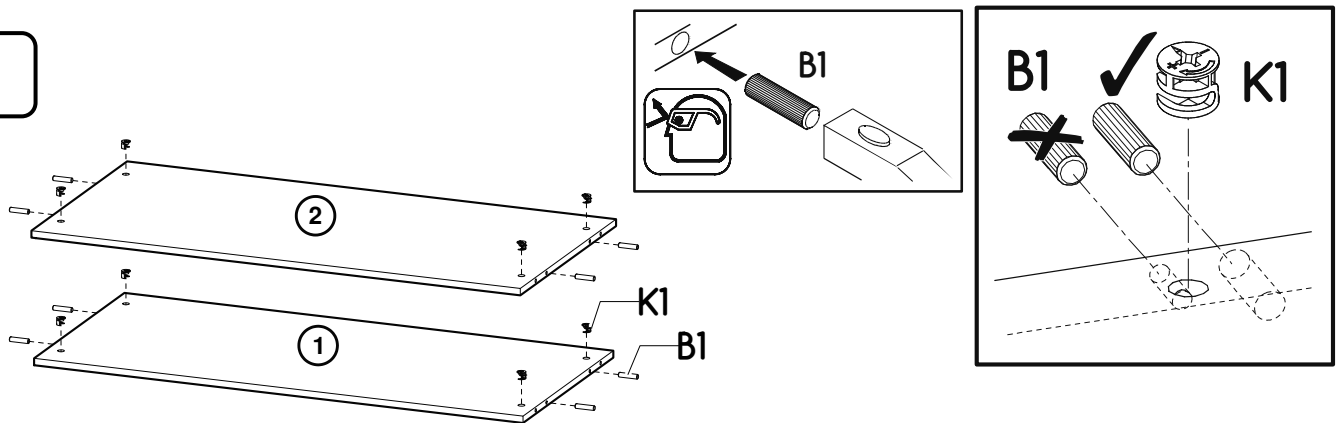


Nr	Xmm	Ymm	Zmm	x
1	1168	534	16	1
2	1168	566	16	1
3	495	568	16	2
4	1168	80	16	2



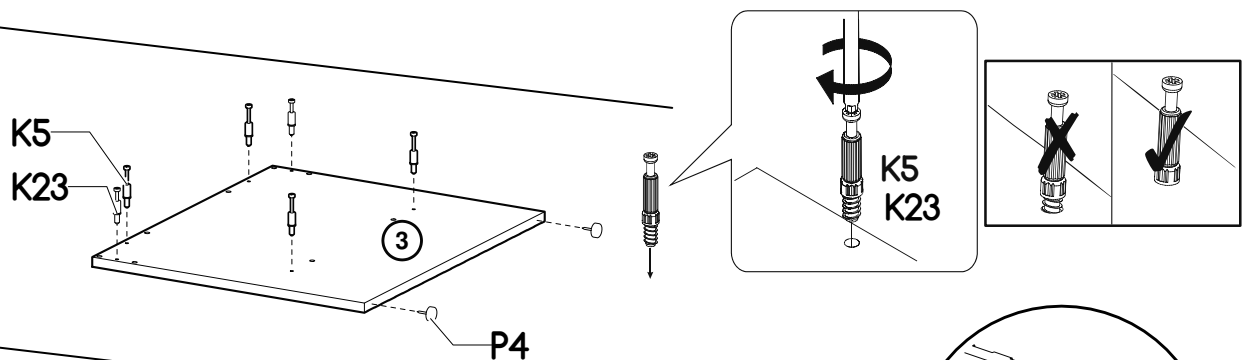
<b>F13</b> 8x 24x24x20 	<b>G36</b> 16x 3,5x13 	<b>K1</b> 12x Ø15x12 	<b>K23</b> 4x 28mm 	<b>I20</b> 12x Ø4/Ø17 	<b>B8</b> 8x Ø8x30 
<b>P4</b> 4x Ø15 	<b>B1</b> 8x Ø8x35 	<b>K5</b> 8x 34mm 			

I



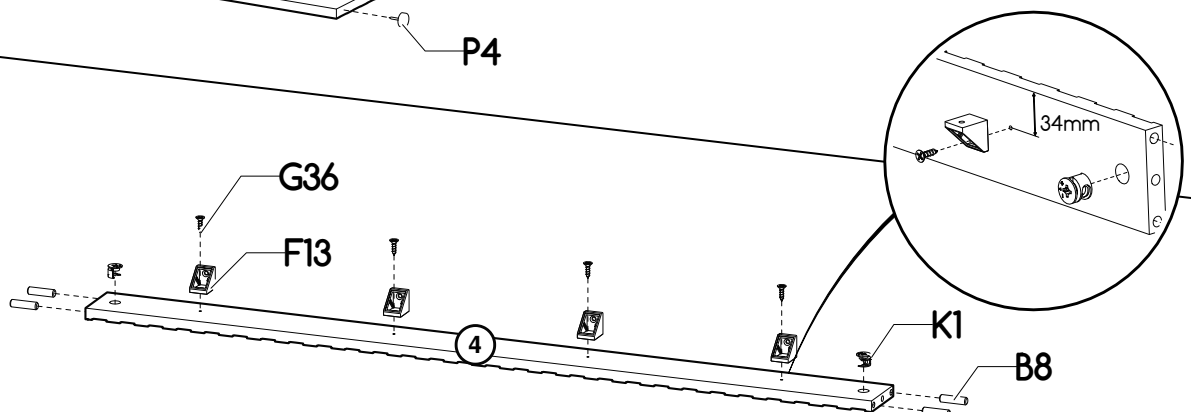
II

x2



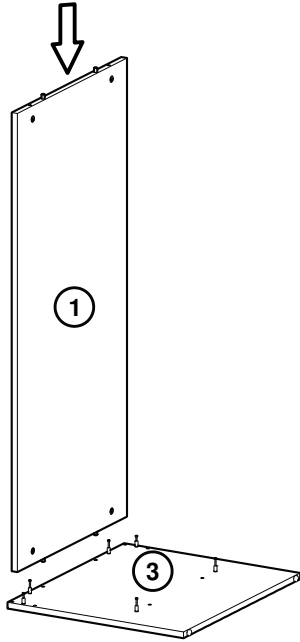
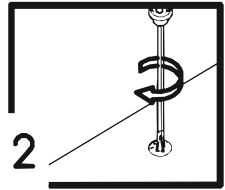
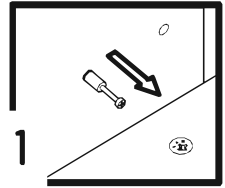
III

x2

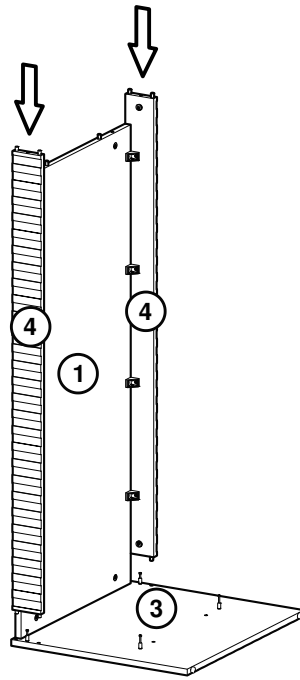


IV

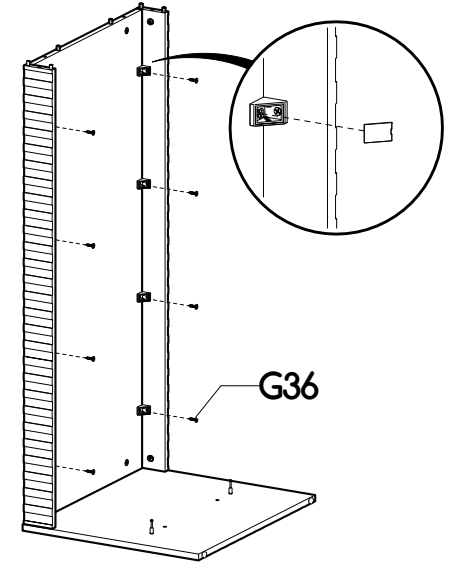
***i***



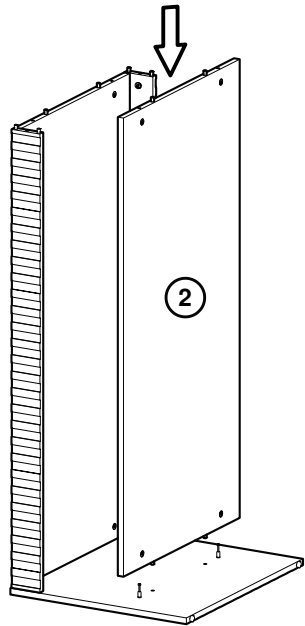
V



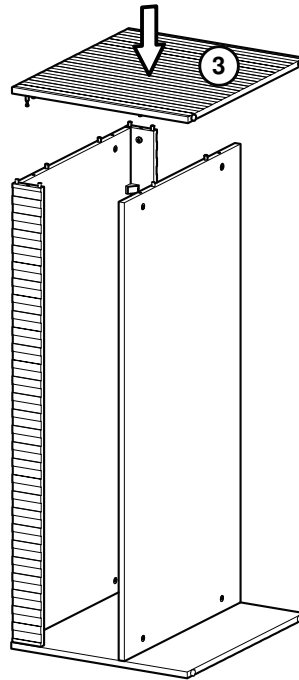
VI



VII



VIII



IX

