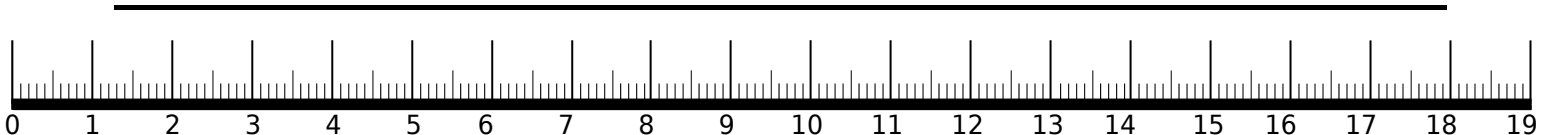
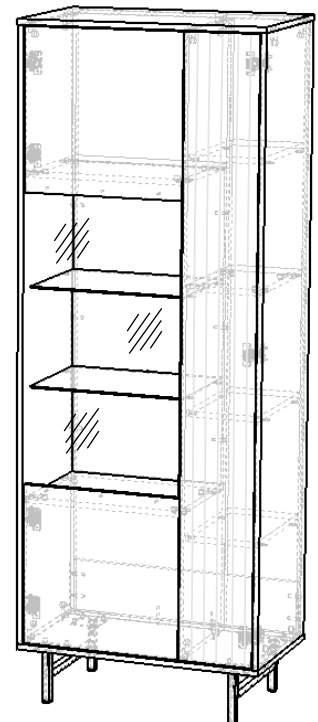
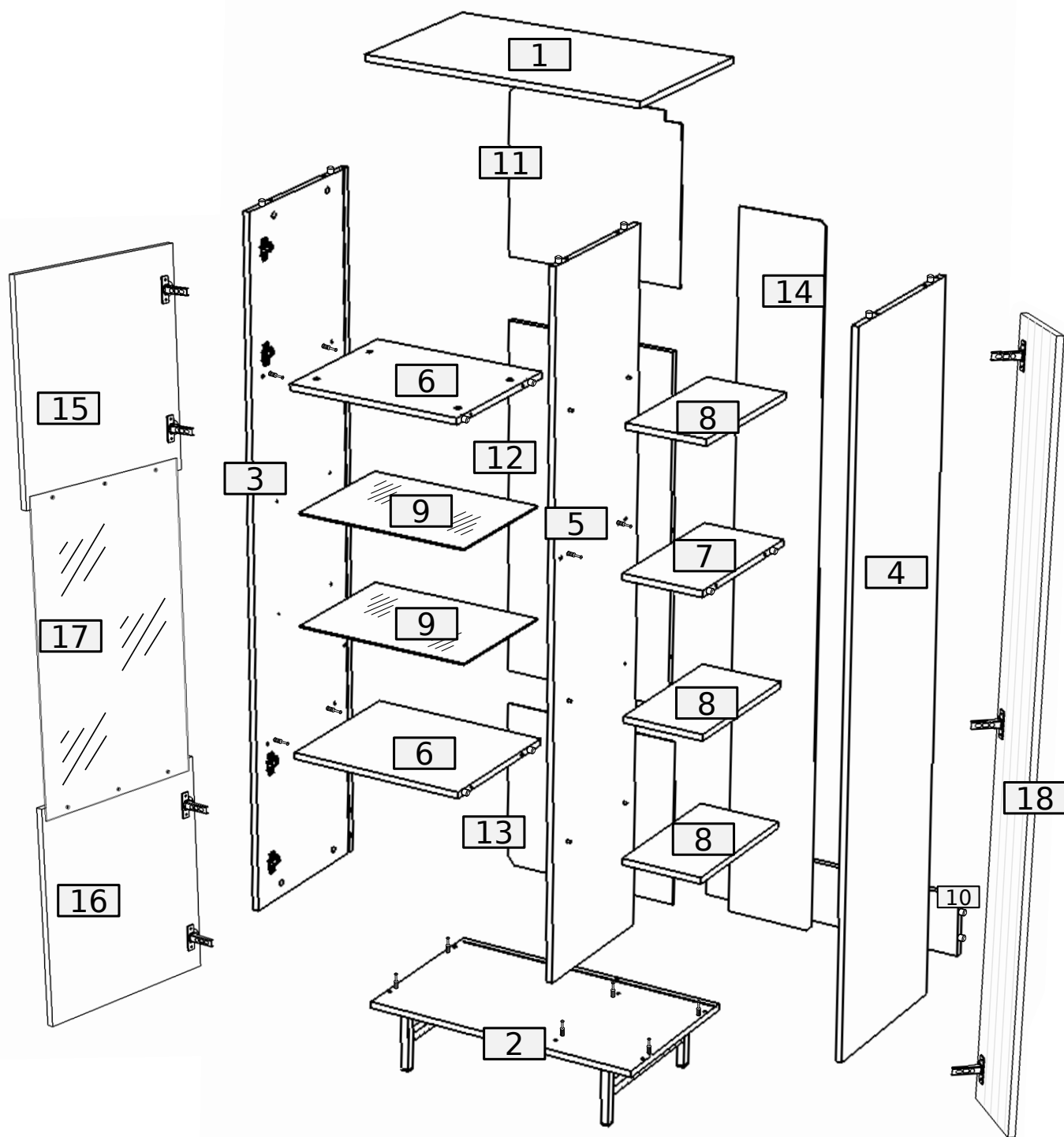


24	24	28	14	7	6	2
B	A	8.0x35	D 3.5x16 W2	PZ	T ø8	X2
X	S3	S4 3.5x16	3.5x16 W4	KS	Z	
20	12	8	7	1	7	

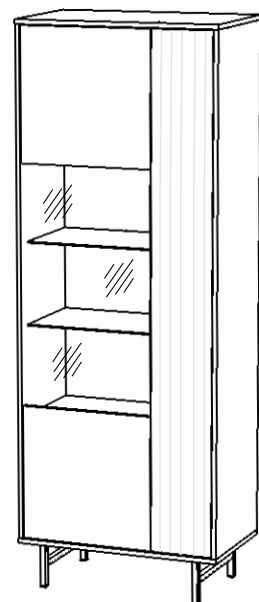
9	2	2	4	2
I	PTS	O	NP2	NP1
6.3x13 F	G4	G3	G2	WS
16	6	16	4	8



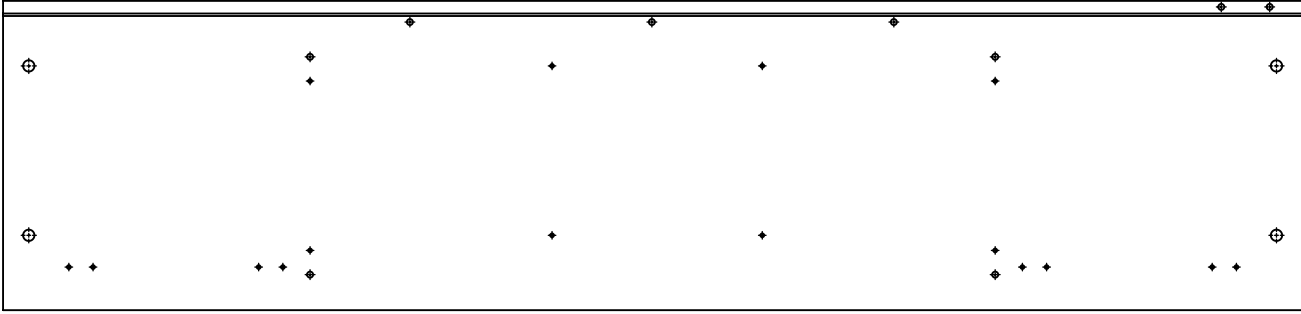


No.	Pcs.	L	W	D	Pac
1	1	700	410	16	2/2
2	1	700	410	16	2/2
3	1	1718	409	16	1/2
4	1	1718	409	16	1/2
5	1	1718	370	16	1/2
6	2	446	370	16	2/2
7	1	370	204	16	2/2
8	3	360	204	16	2/2
9	2	445	334	4	2/2
10	1	666	150	16	2/2
11	1	461	422	3	1/2

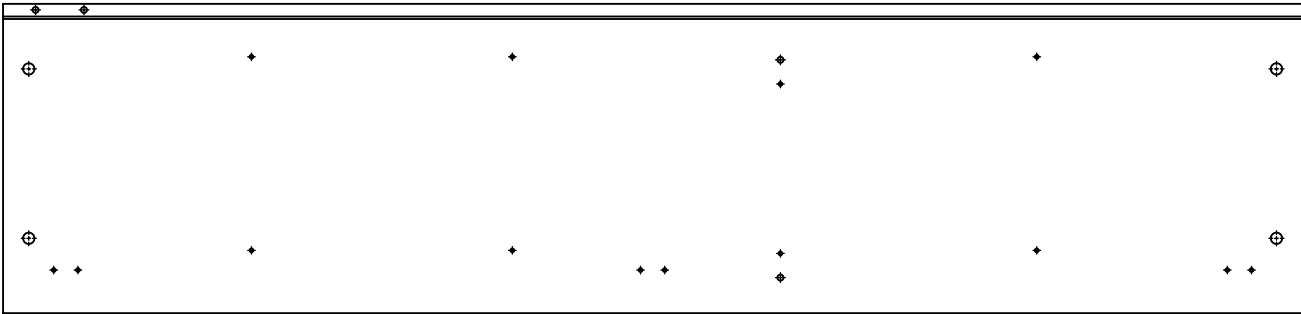
No.	Pcs.	L	W	D	Pac
12	1	890	446	16	2/2
13	1	461	422	3	1/2
14	1	1732	219	3	1/2
15	1	451	451	16	2/2
16	1	451	451	16	2/2
17	1	870	440	4	2/2
18	1	1712	209	16	1/2



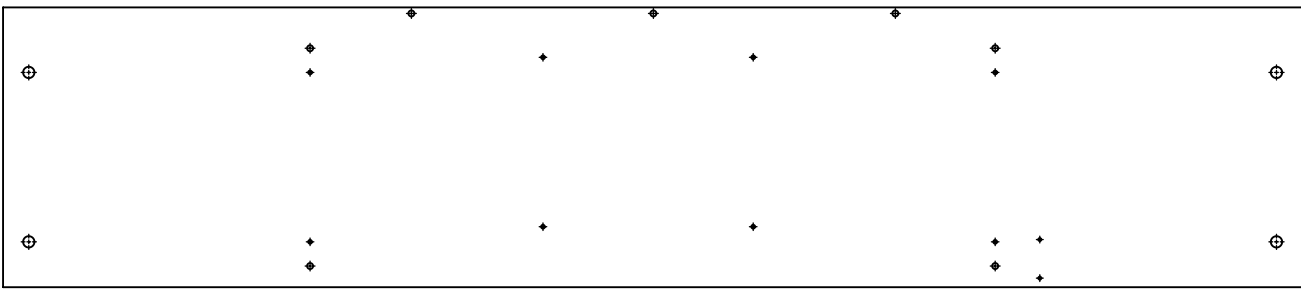
BOX 1/2



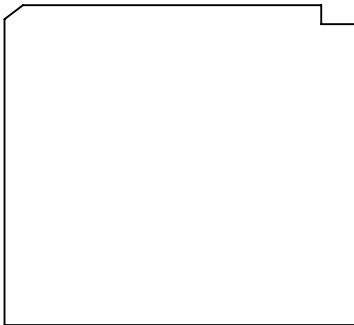
3. 1718x409x16 mm



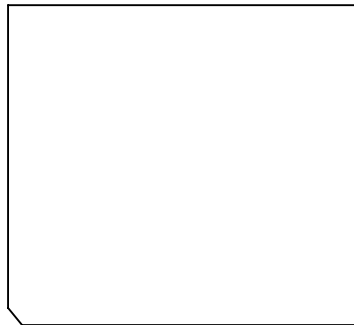
4. 1718x409x16 mm



5. 1718x370x16 mm



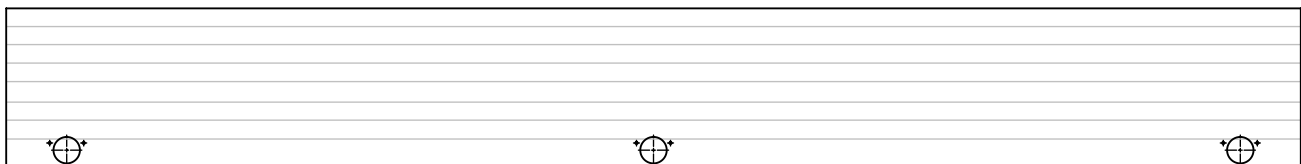
11. 461x422x3 mm



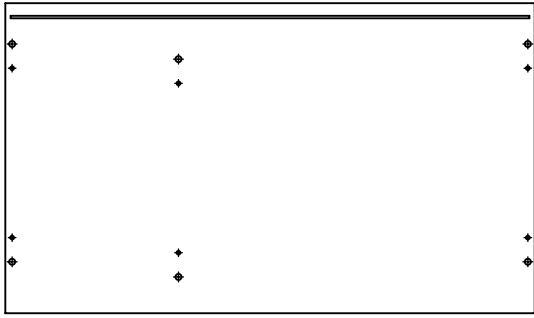
13. 461x422x3 mm



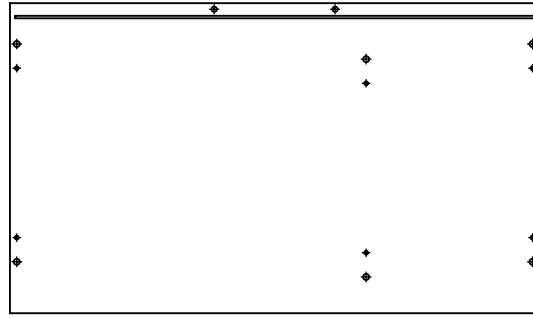
14. 1732x219x3 mm



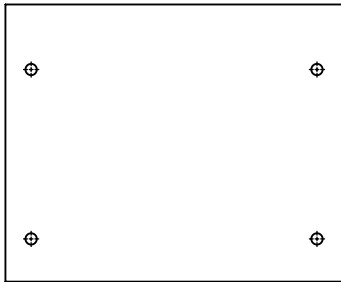
18. 1712x209x16 mm



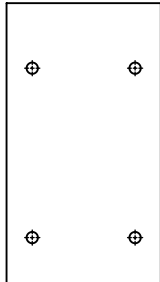
1. 700x410x16 mm



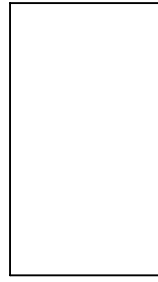
2. 700x410x16 mm



6. 446x370x16 mm x2



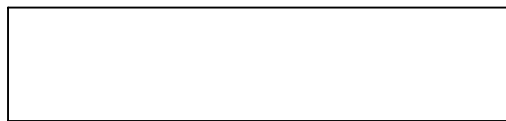
7. 370x204x16 mm



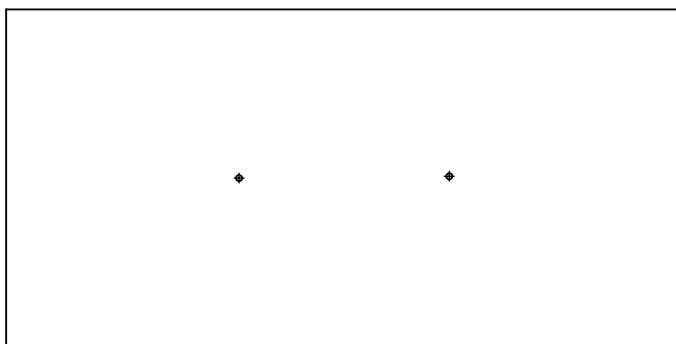
8. 360x204x16 mm x3



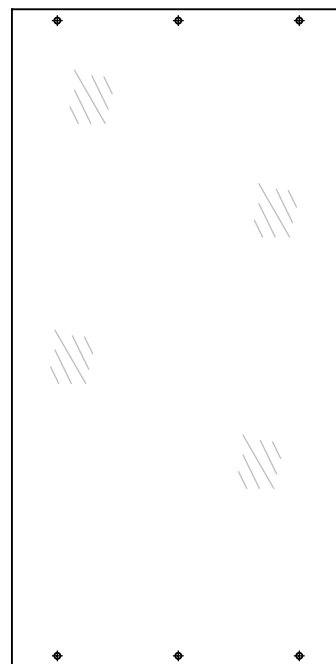
9. 445x324x4 mm x2



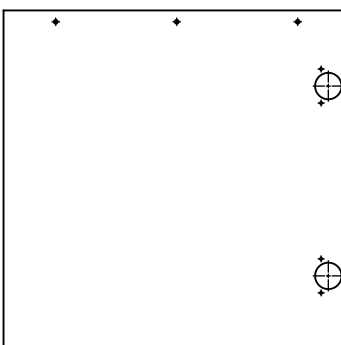
10. 666x150x16 mm



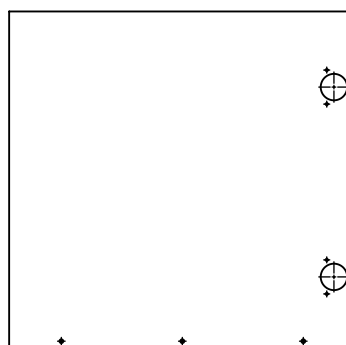
12. 890x446x16 mm



17. 870x440x4 mm



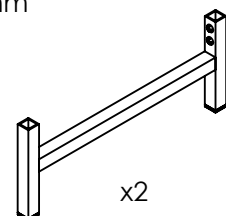
15. 451x451x16 mm



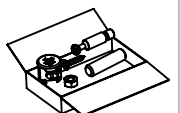
16. 451x451x16 mm



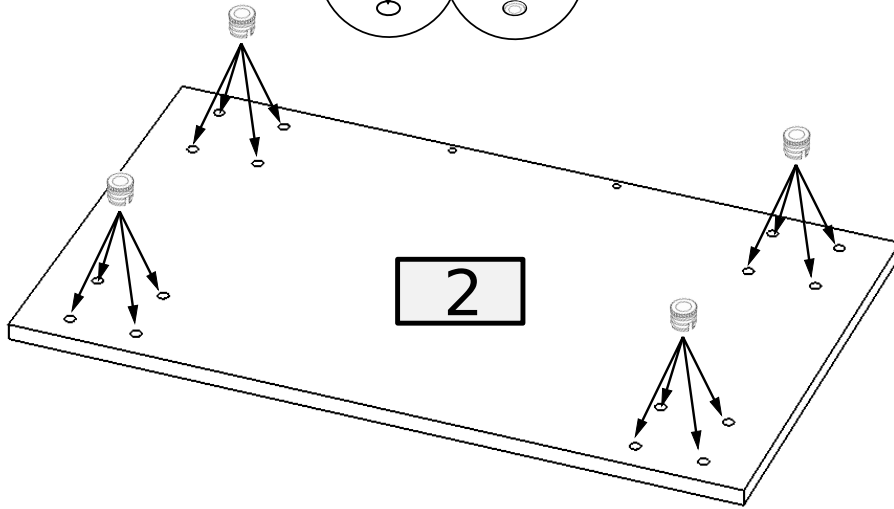
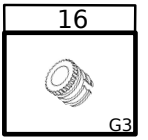
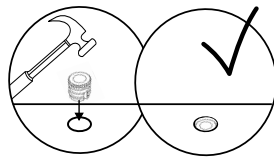
x4



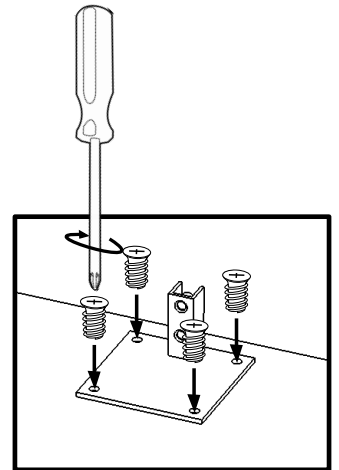
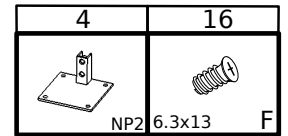
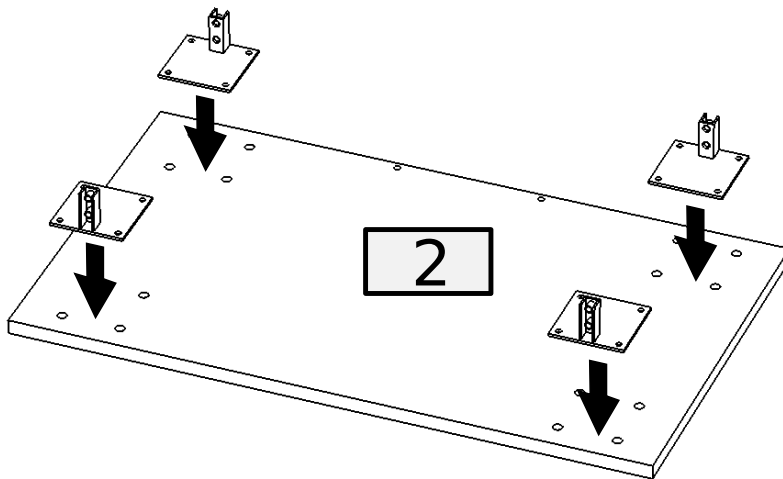
x2



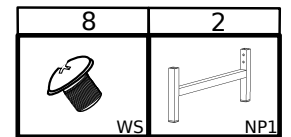
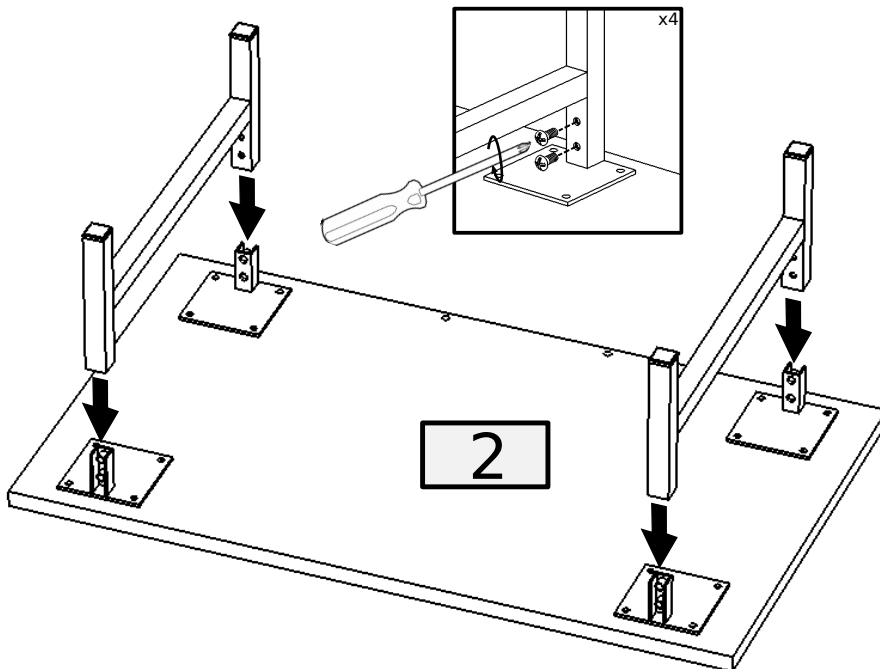
①



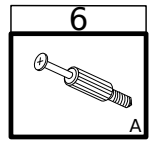
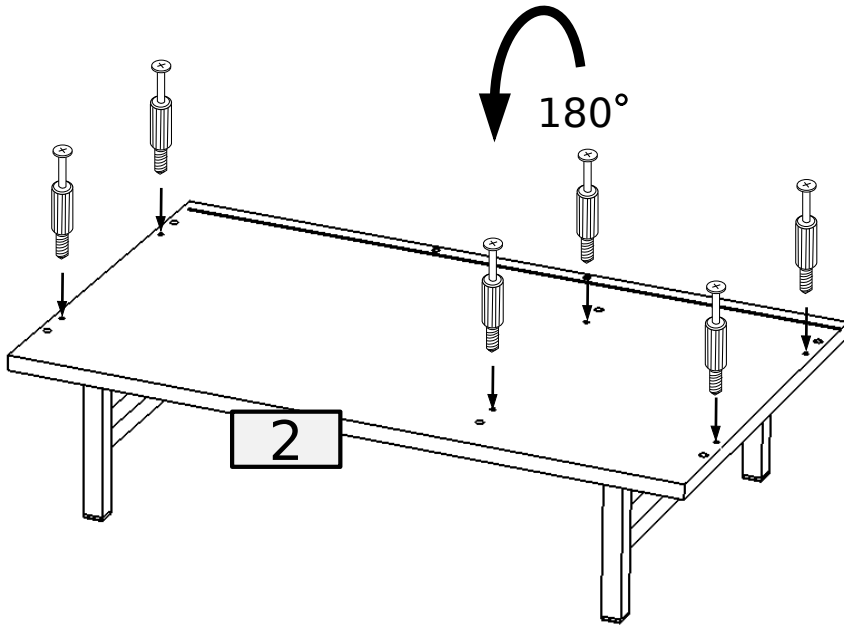
②



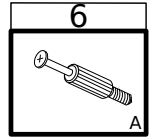
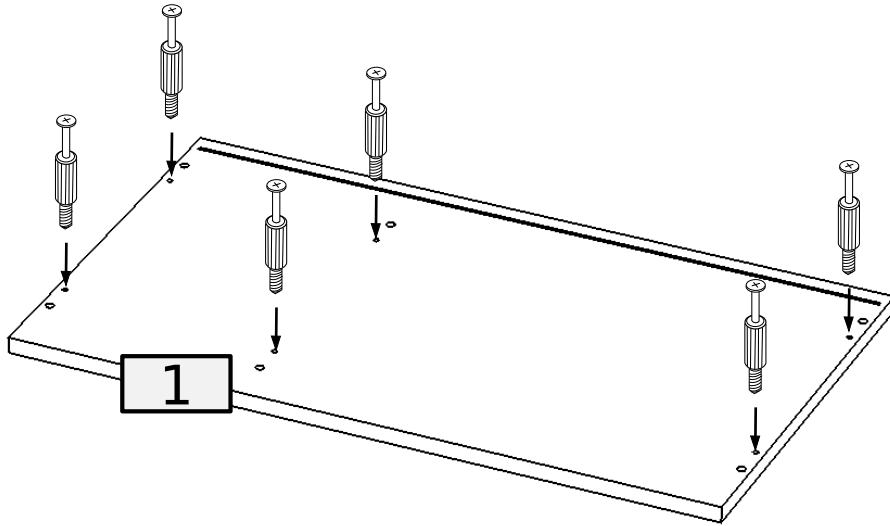
③



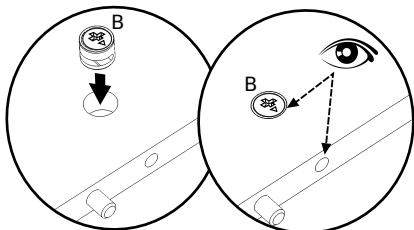
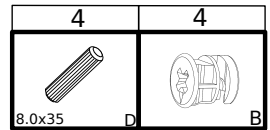
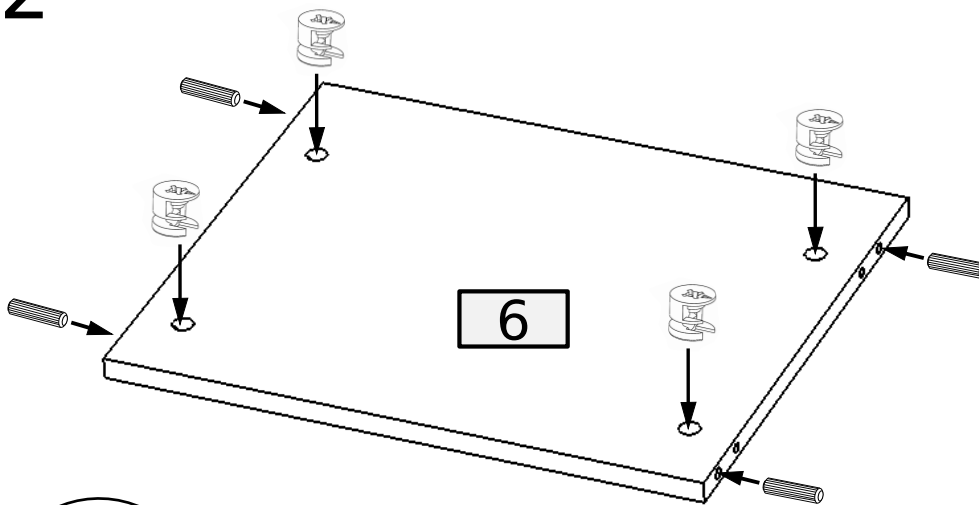
④



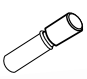
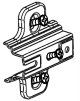
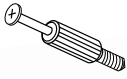

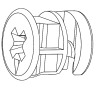
⑤

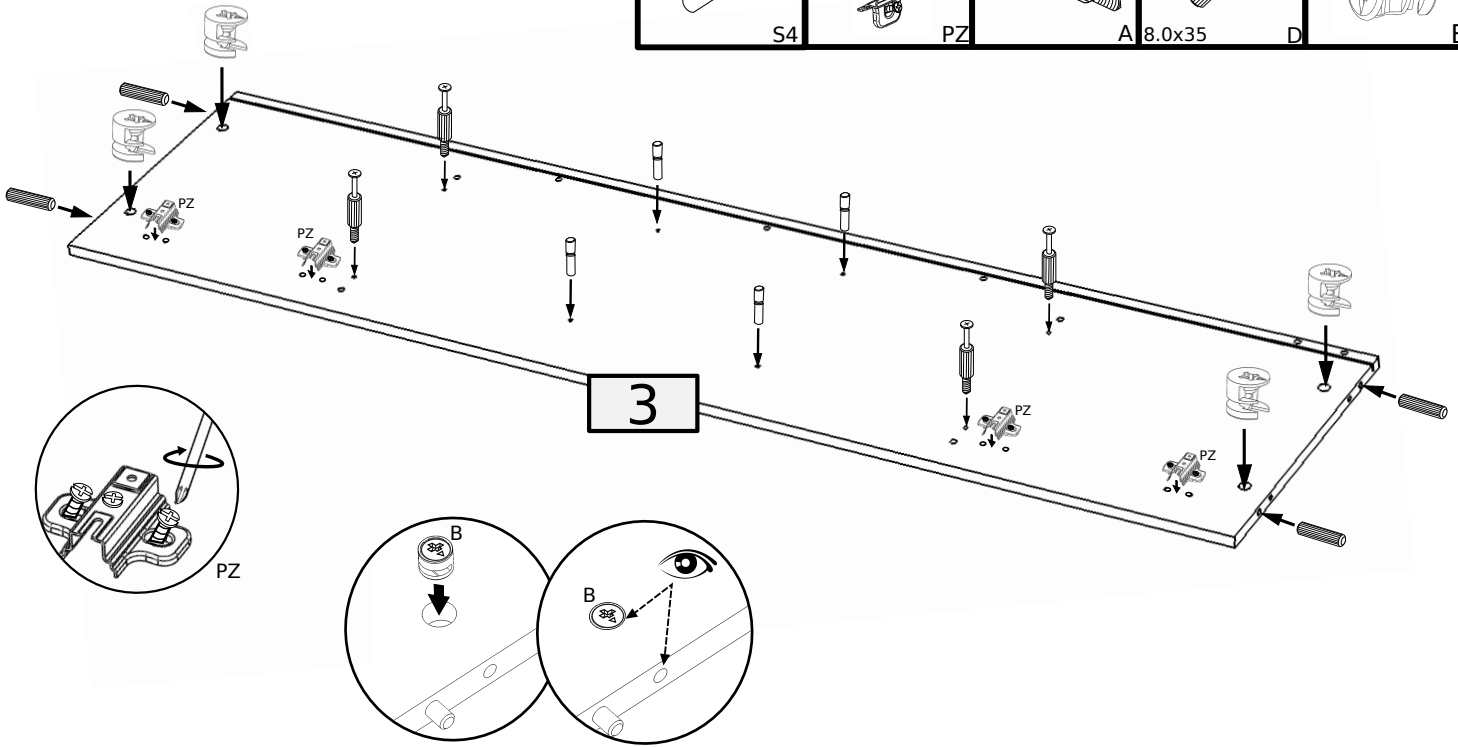


⑥x2


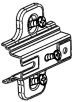
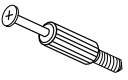
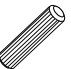
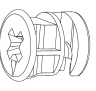


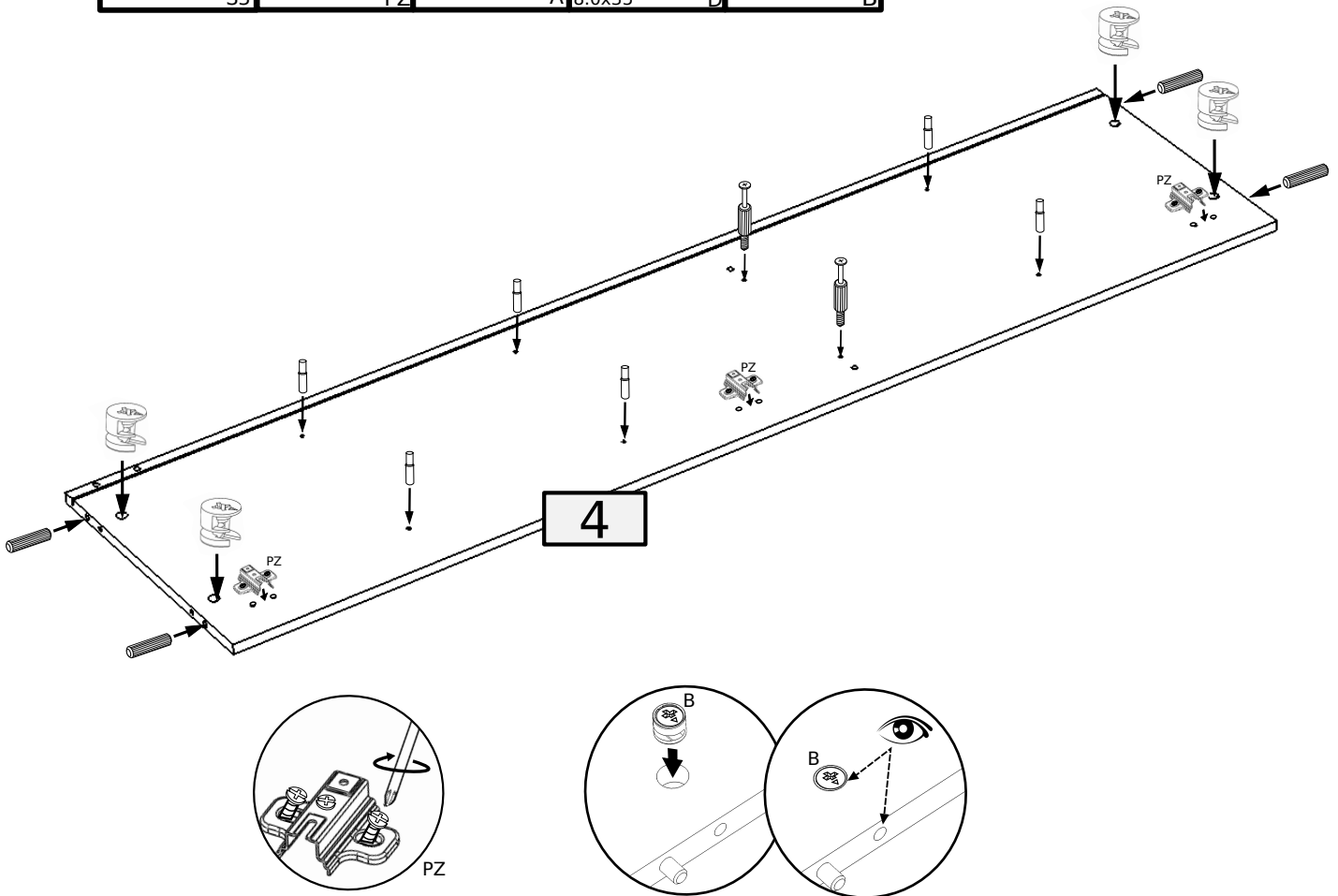
7

4	4	4	4	4
				
S4	PZ	A	8.0x35	D
				B



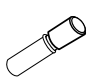
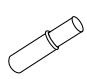
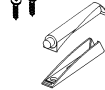
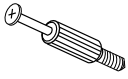
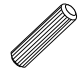
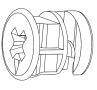
8

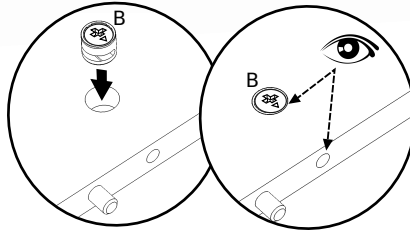
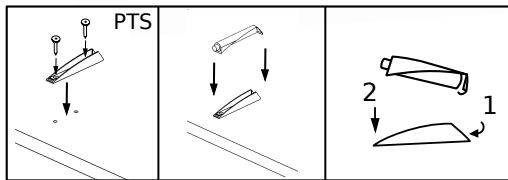
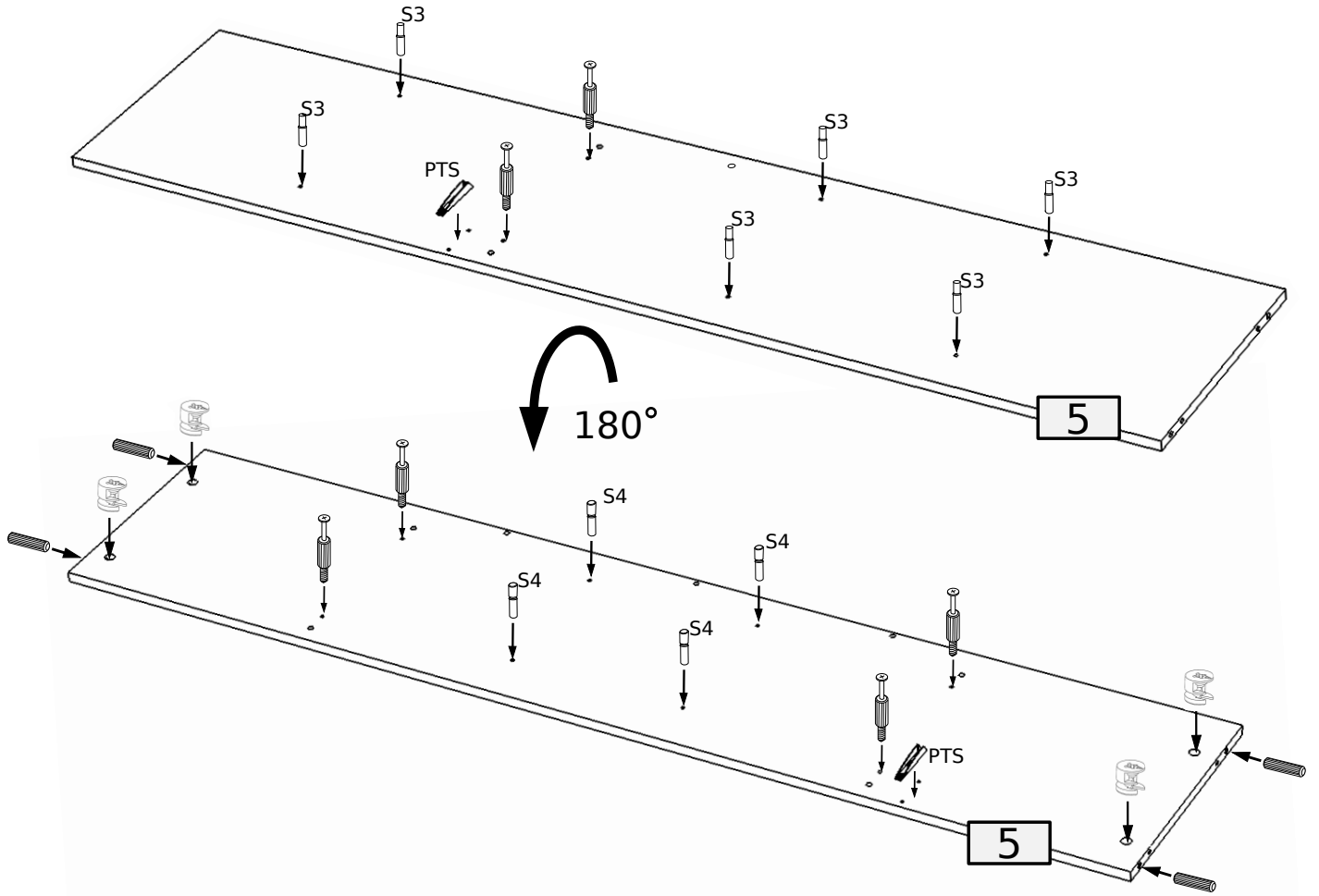
6	3	2	4	4
				
S3	PZ	A	8.0x35	D
				B







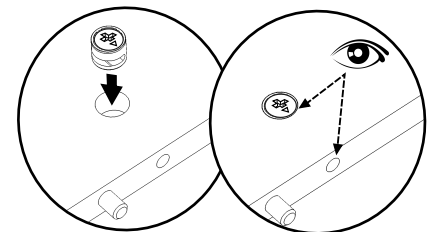
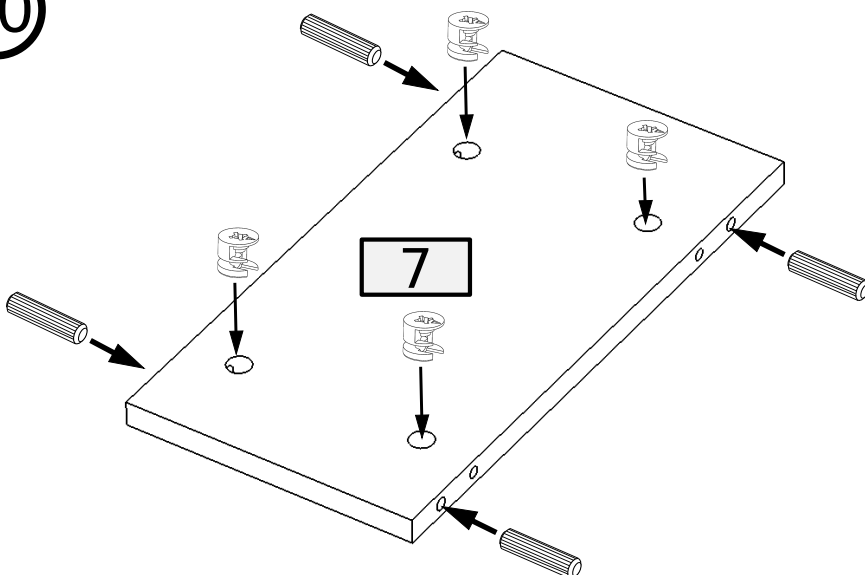
9

4	6	2	6	4	4
					
S4	S3	PTS	A	D	B

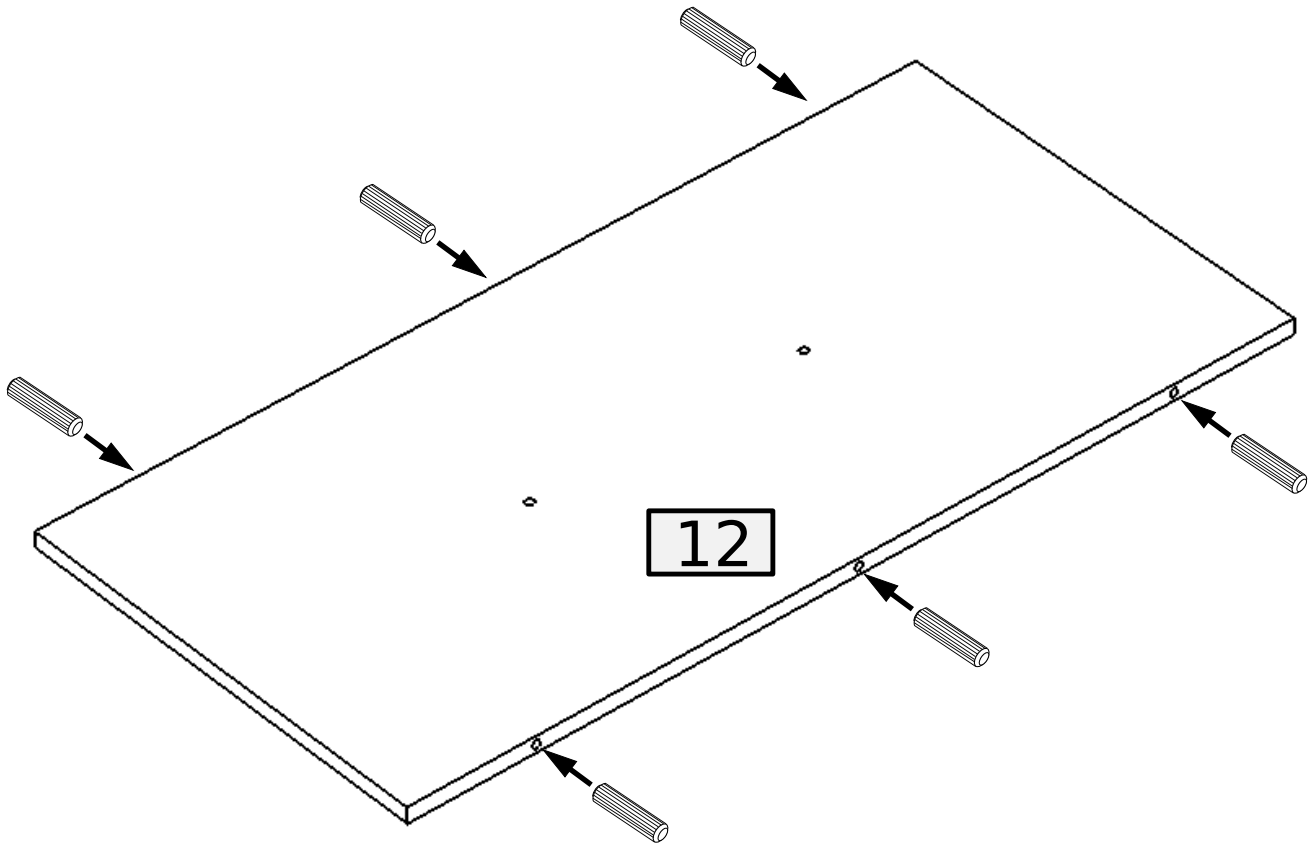
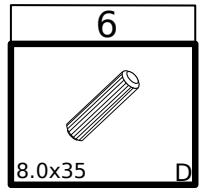


10

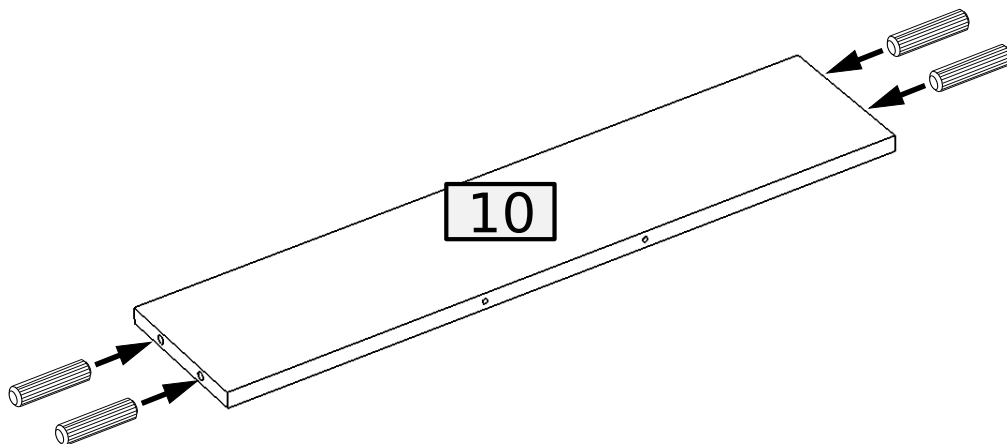
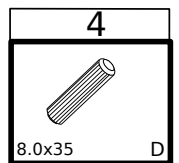
4	4
	
D	B



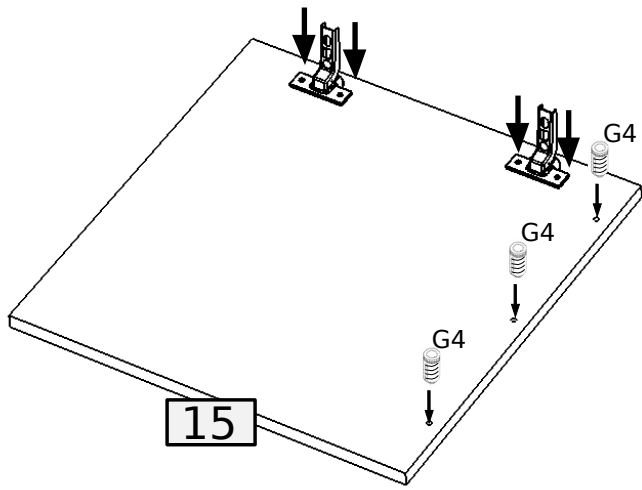
11



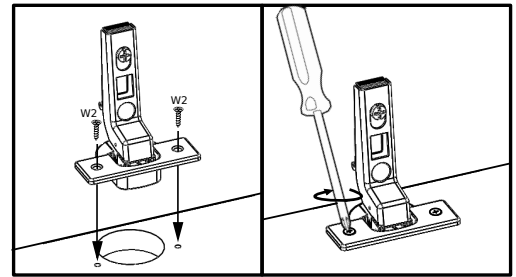
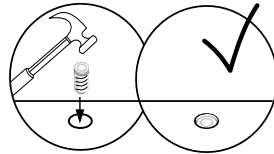
12



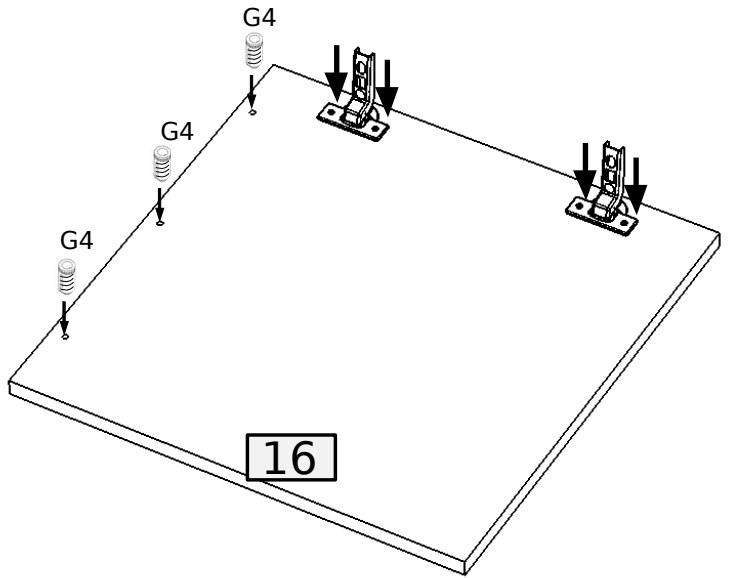
13



15



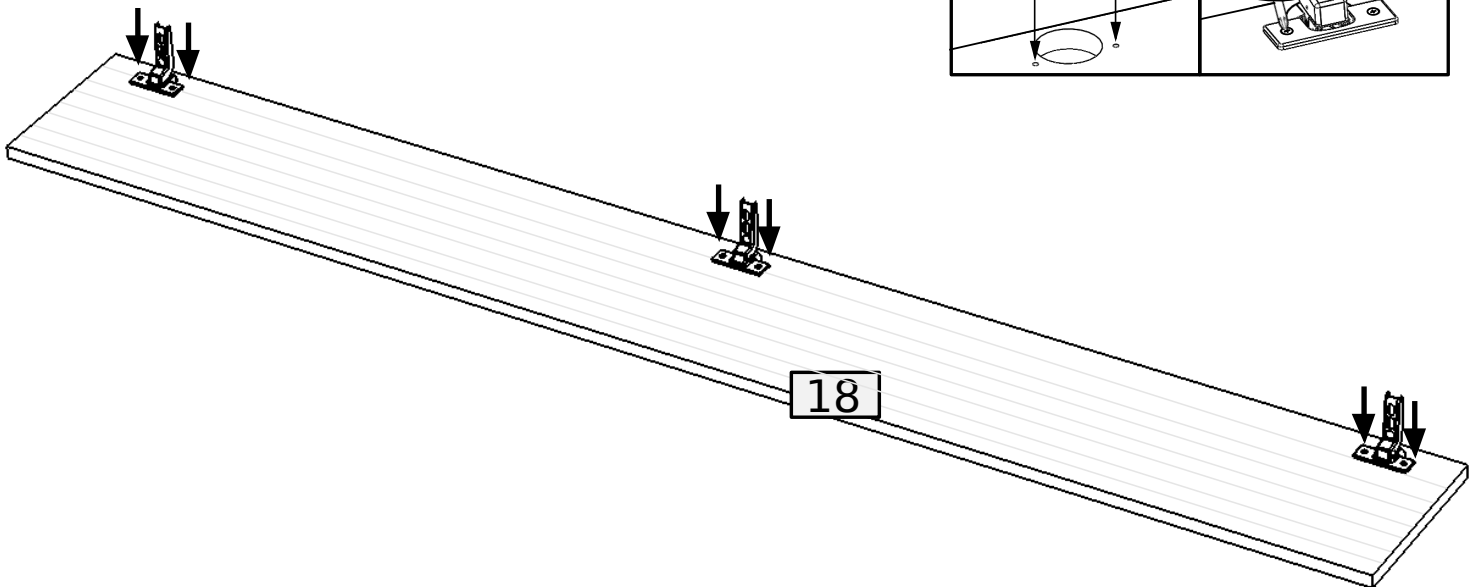
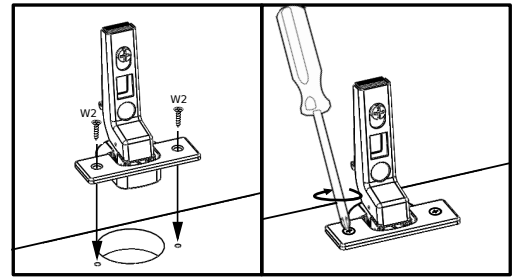
G4	3.5x16 W2	Z
6	8	4



16



14

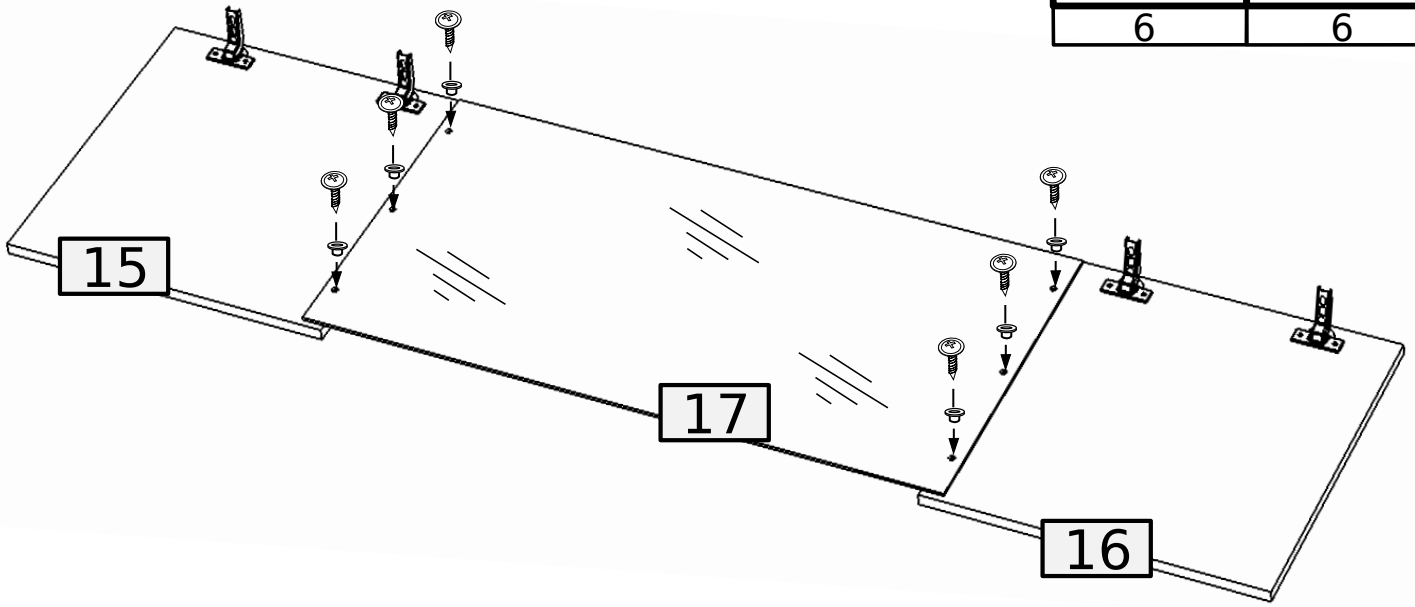
3.5x16 W2	Z
6	3



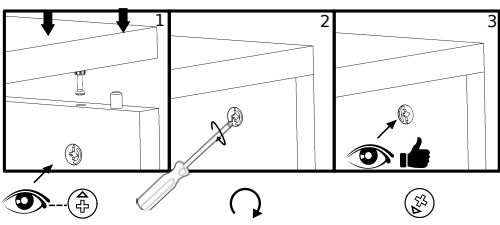
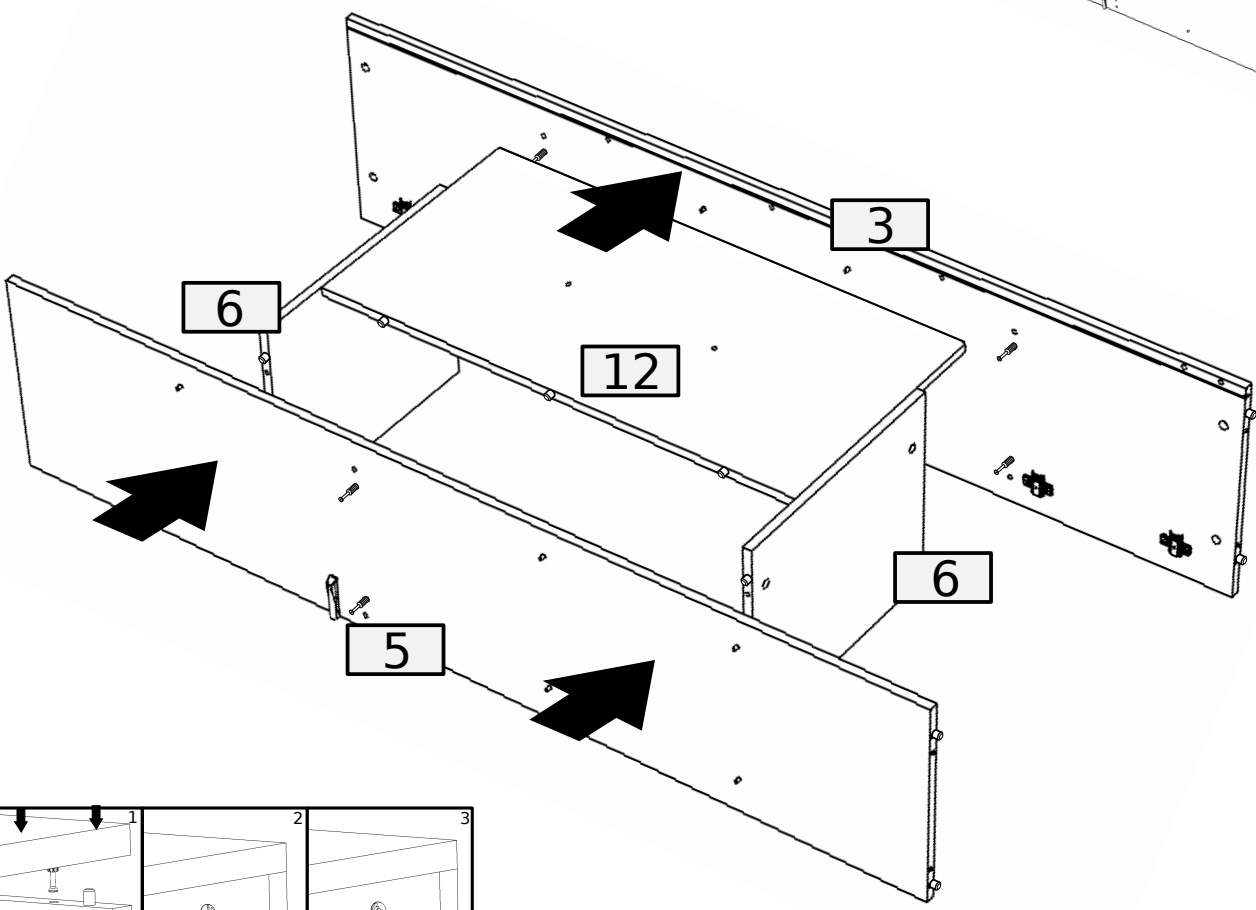
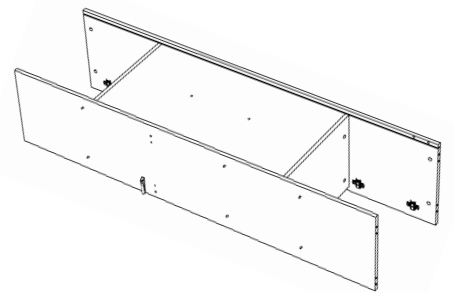
18

15

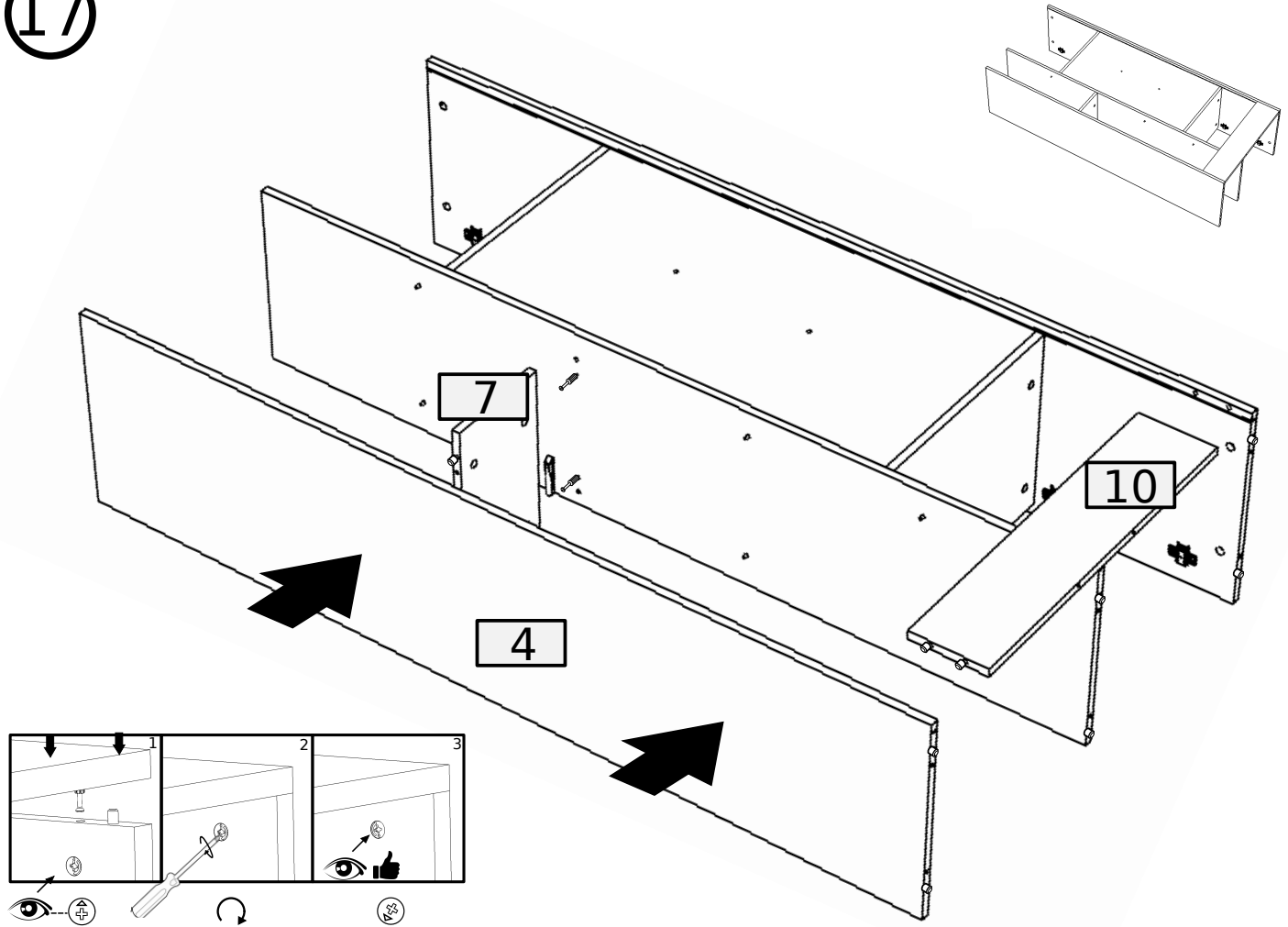
	
3.5x16	W4T
6	6



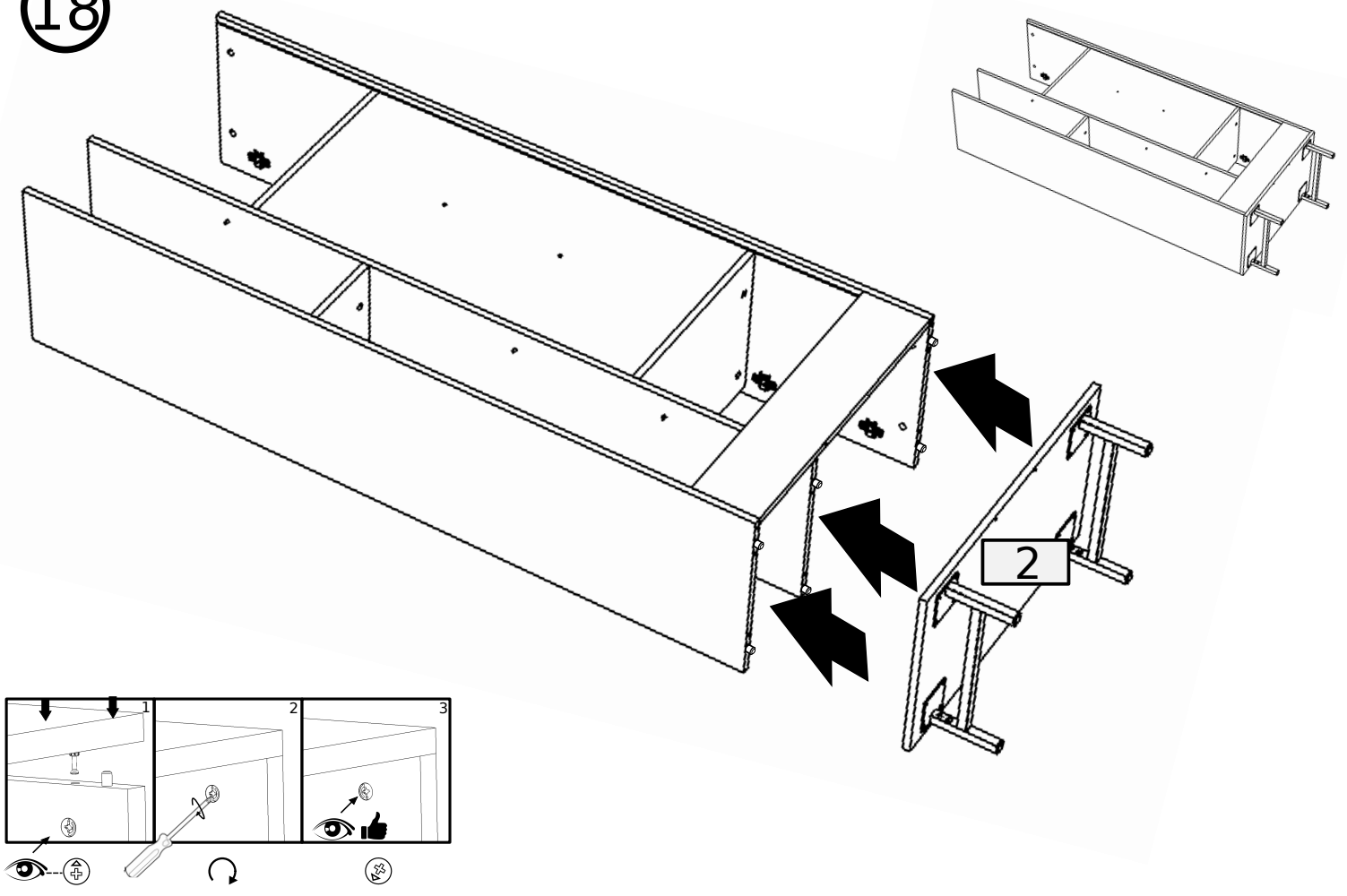
16



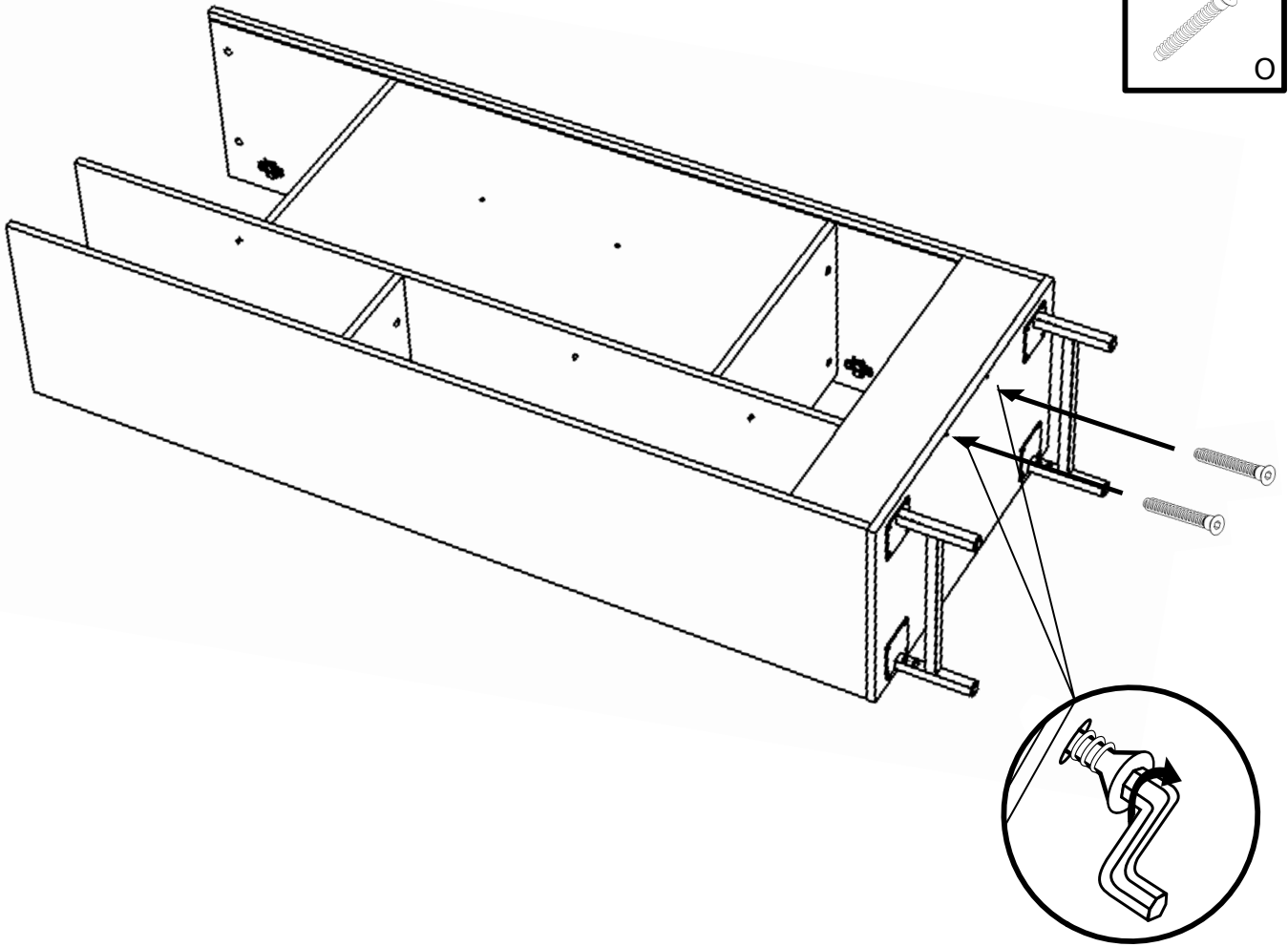
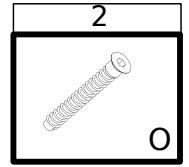
17



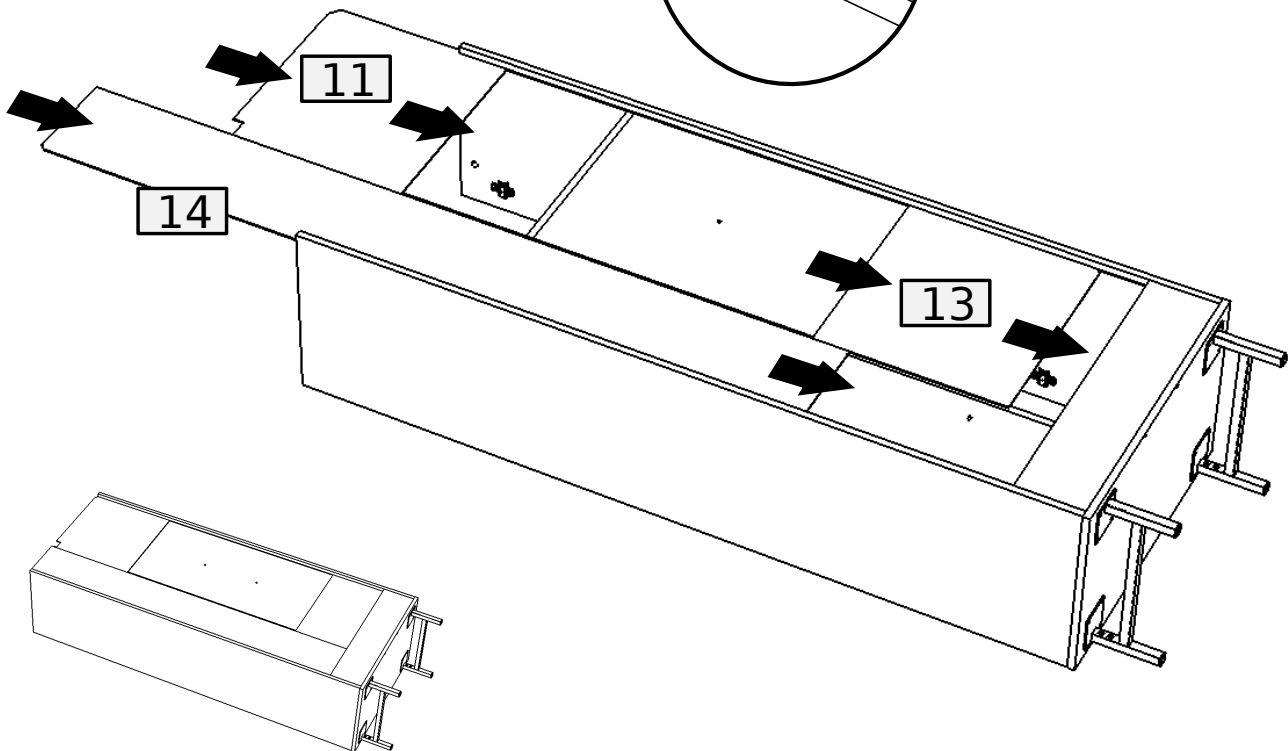
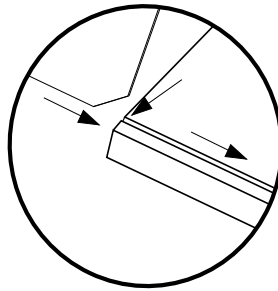
18



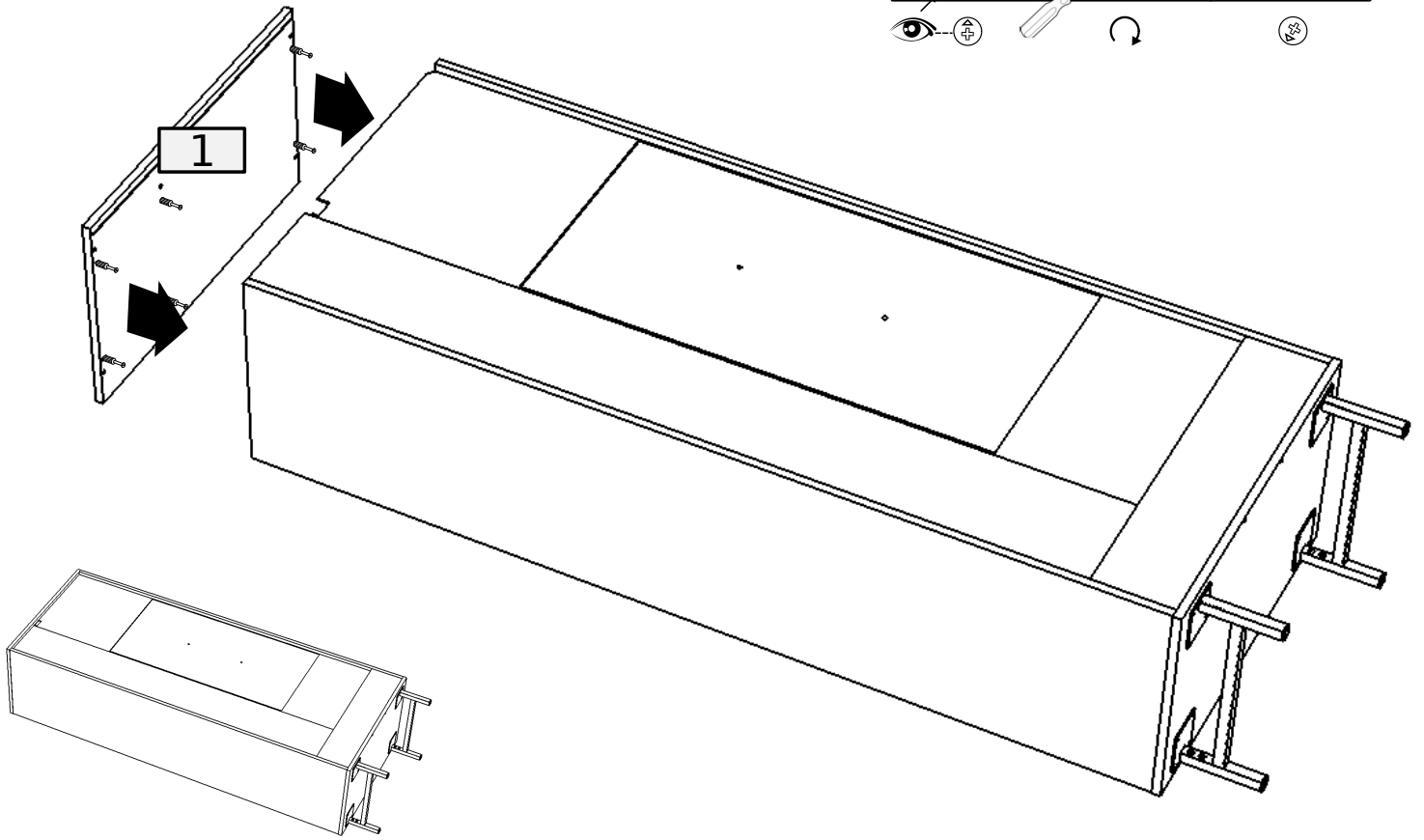
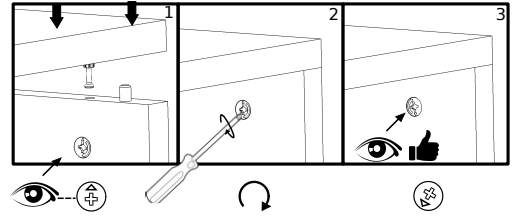
19



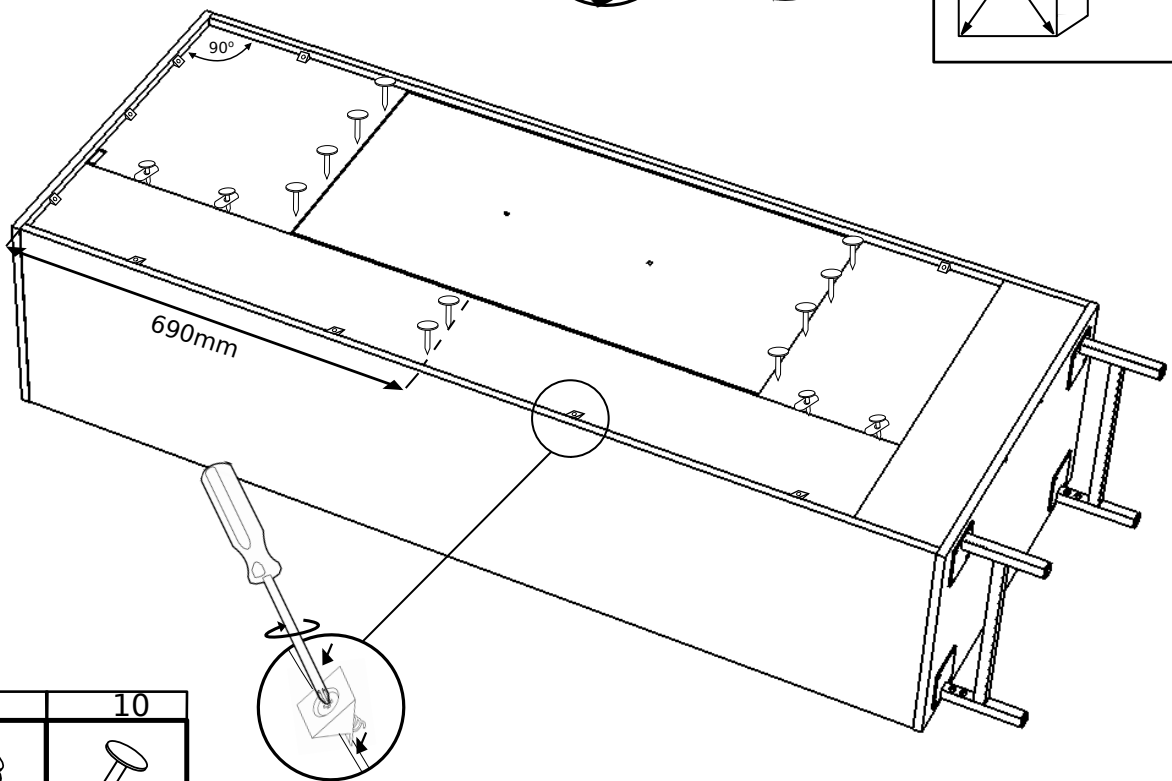
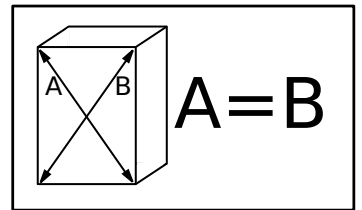
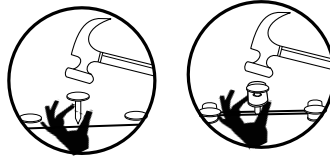
20



23

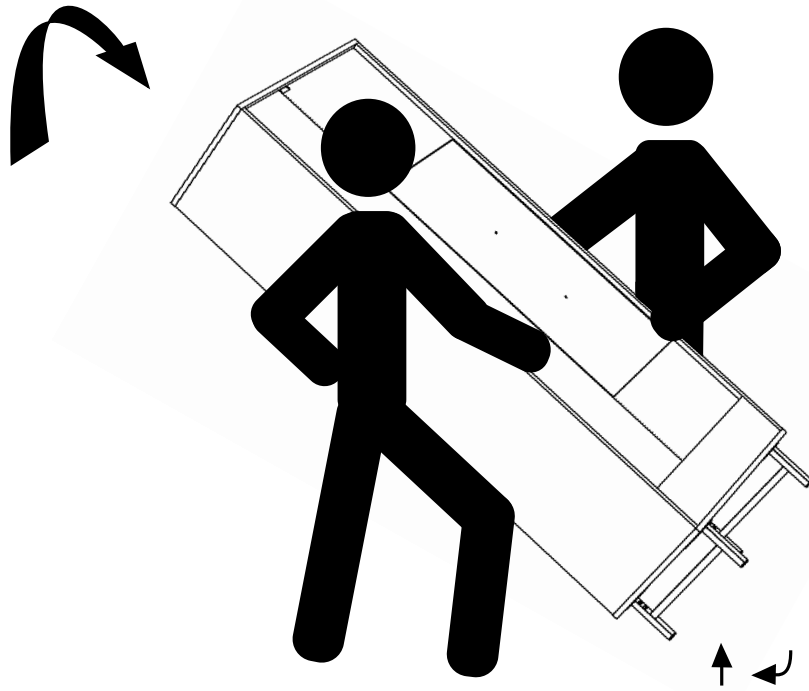


24

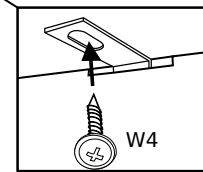
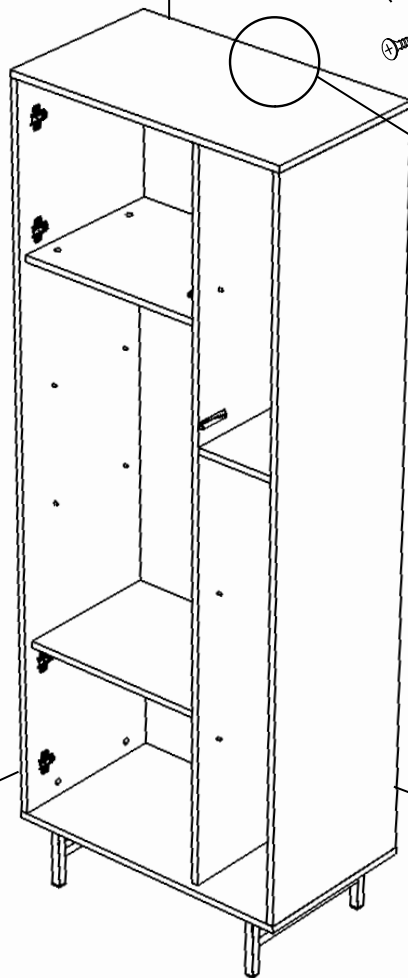
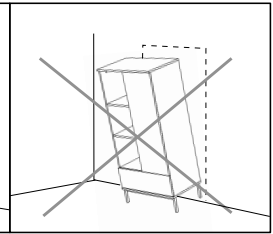
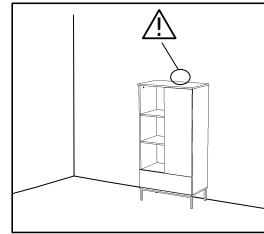
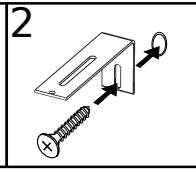
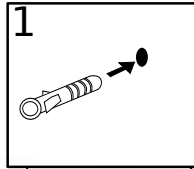



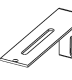
9	4	10
I	G2	G

23



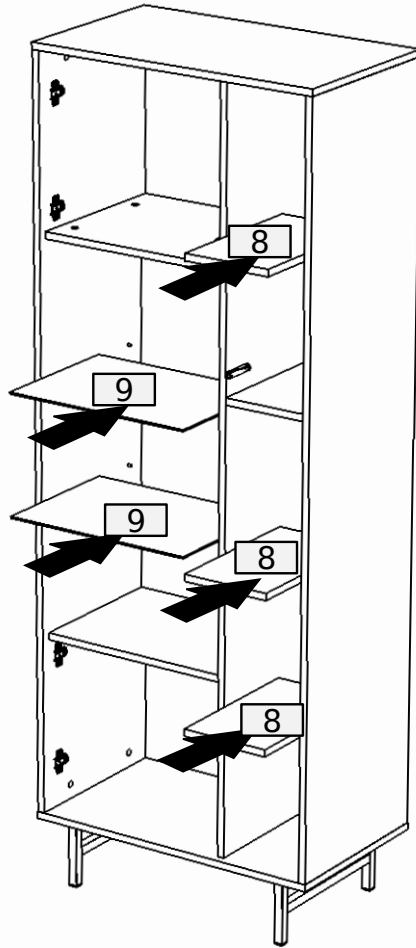
24



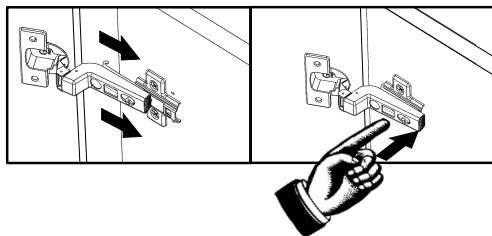
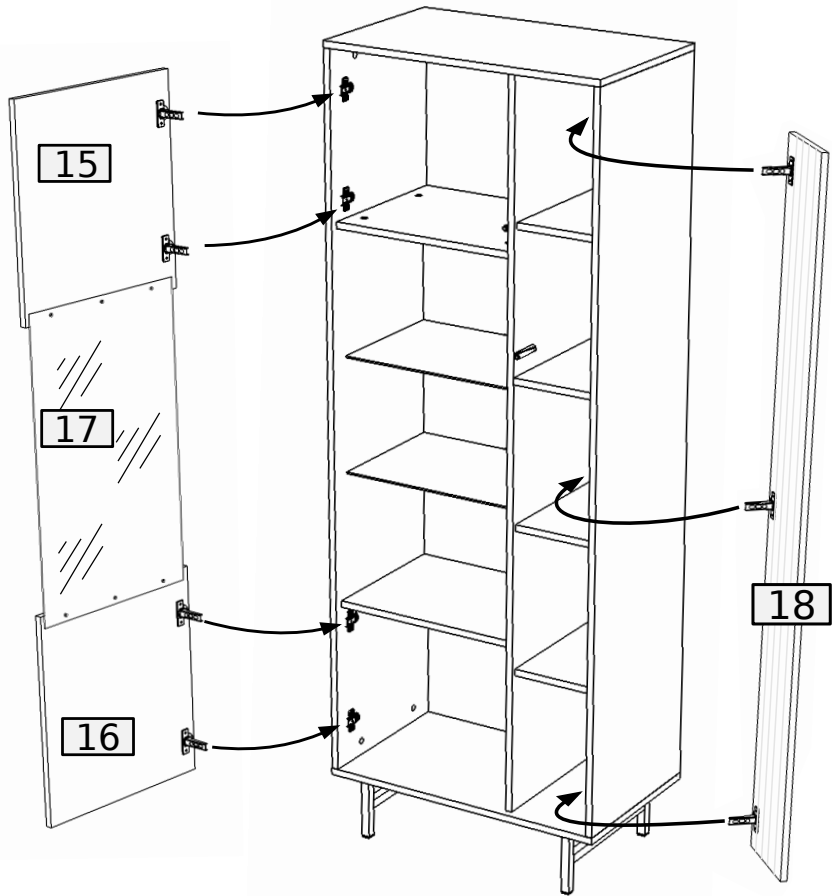
1	1
 W4	 KS
3.5x16	



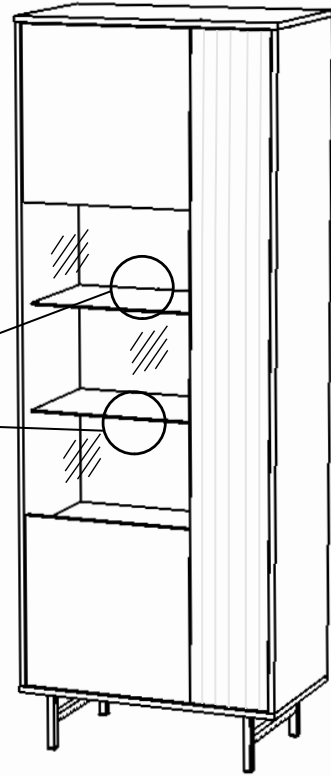
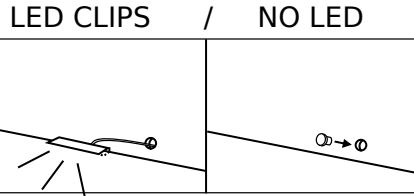
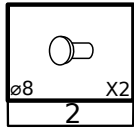
25



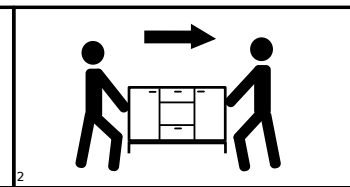
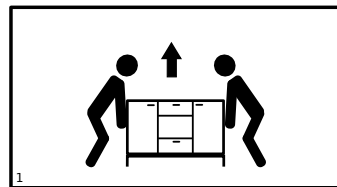
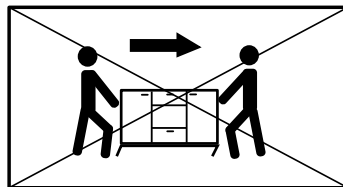
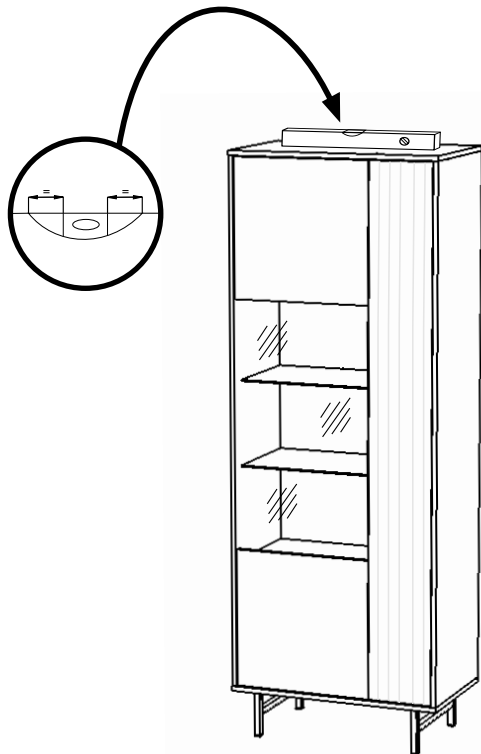
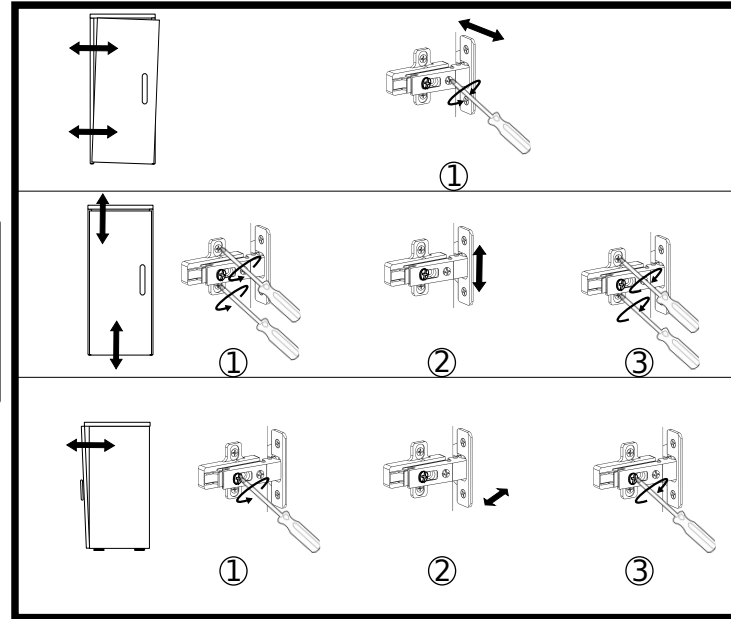
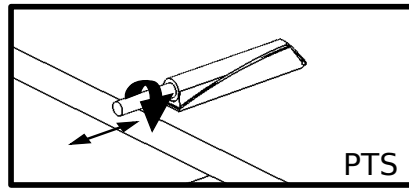
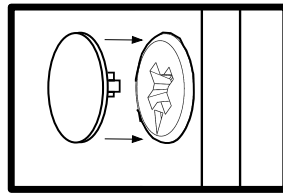
26



27



28



X

✓

