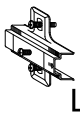


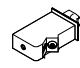



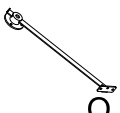


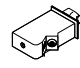

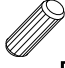
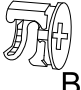



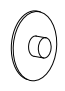

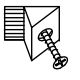



A
12


	8.0x30 	
L	D	B
2	8	8

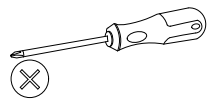
	4.0x30 	8.0x30 			3.0x13 	
G	H1	D	B	Q	H	A
2	4	8	8	2	6	4

	4.0x30 	8.0x30 	
G	H1	D	B
1	2	4	4

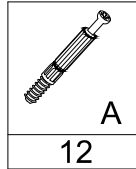
V-VIII-IX-X-XIII

	6.3X13 			3.0x13 			4.0x25 
A1	F	Z	X	H	I	M	G
2	4	2	20	6	8	6	12

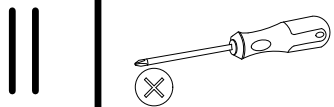
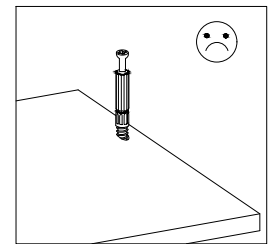
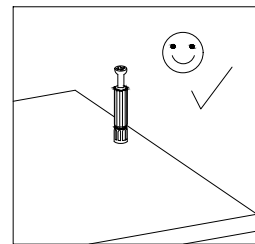
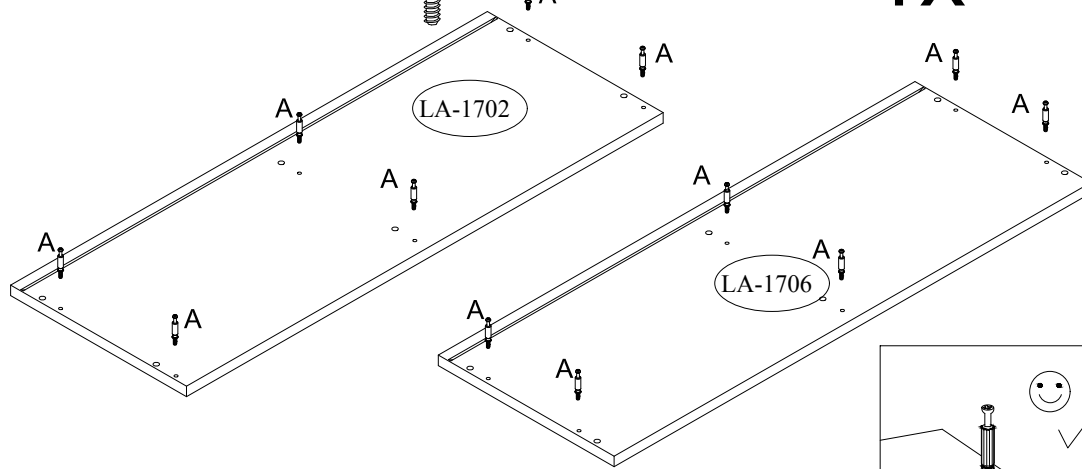
Ø-10.0 
KR
1



1x

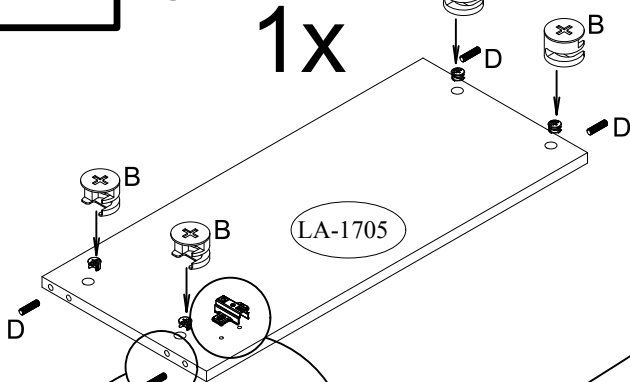


1x

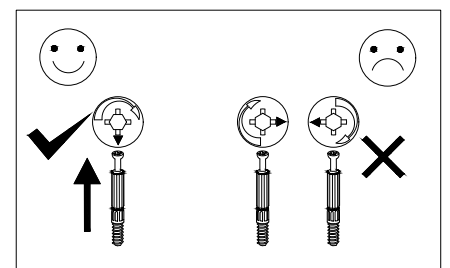
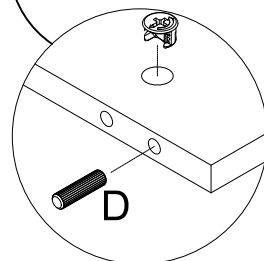
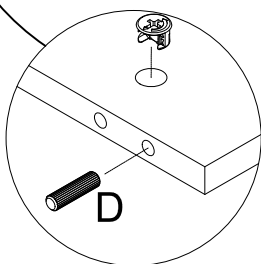
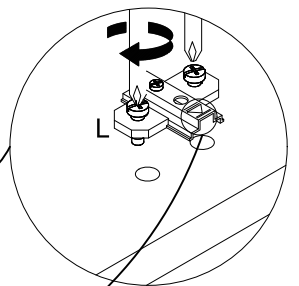
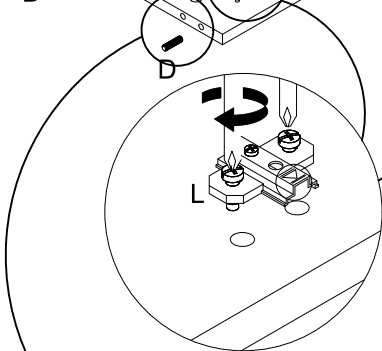
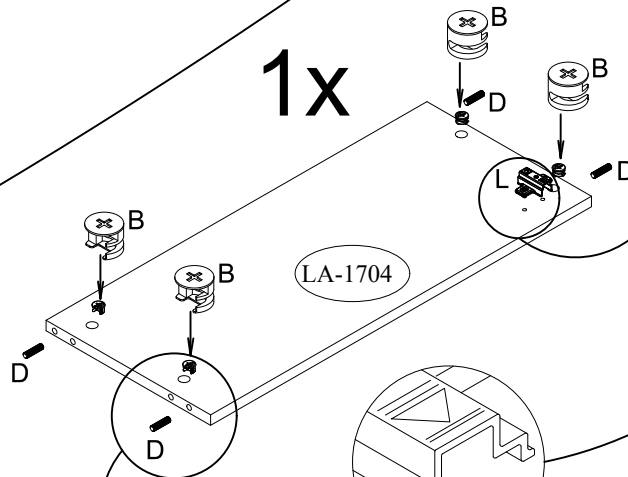


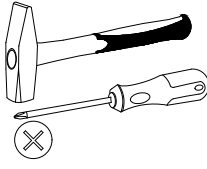
1x

	8.0x30 	
2	8	8



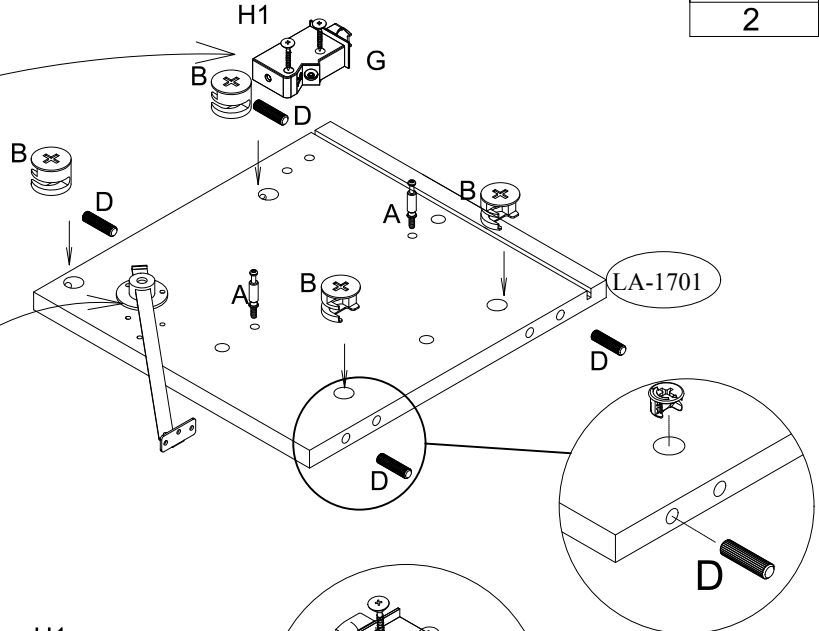
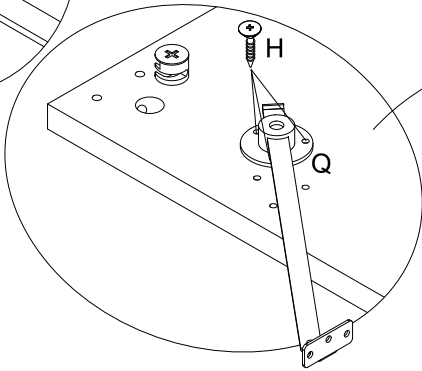
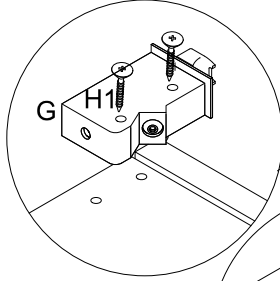
1x



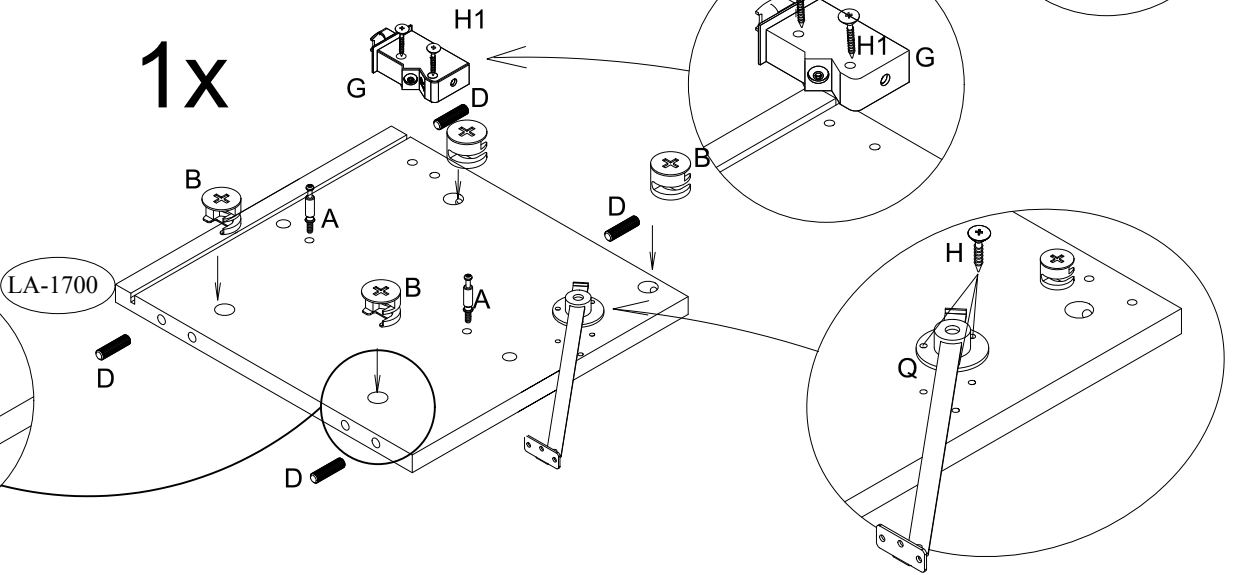
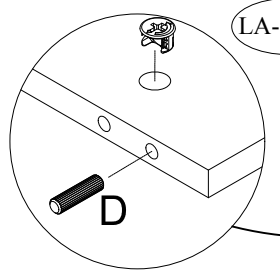


	3.0x13 A		4.0x30 H1	8.0x30 D		B	
4	6	2	4	8	8		
							Q
						2	

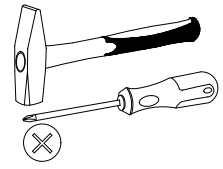
1x



1x

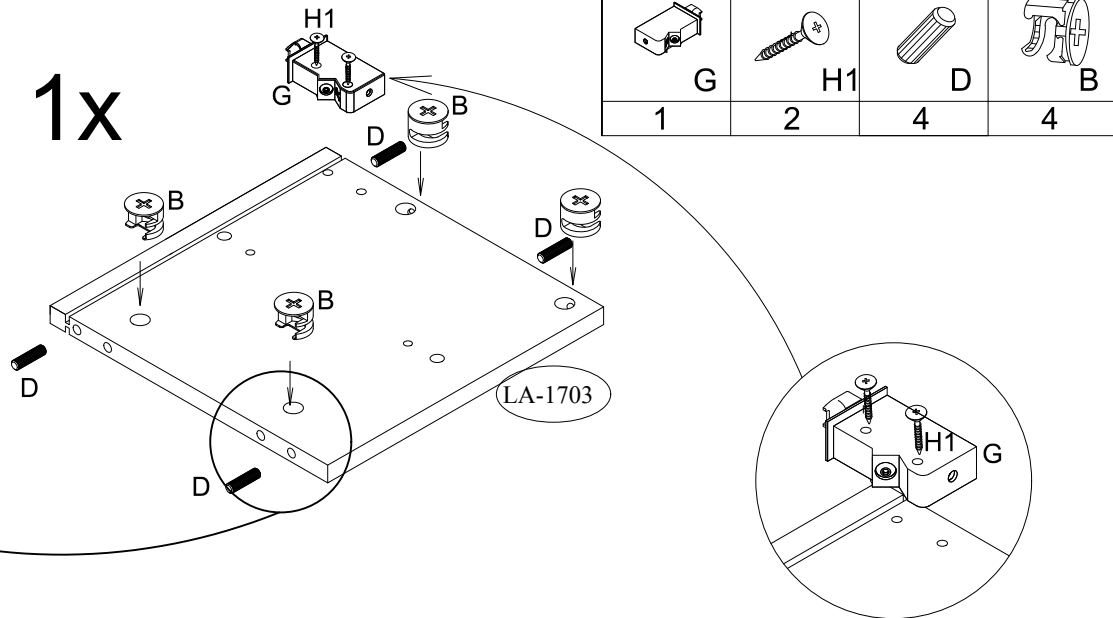
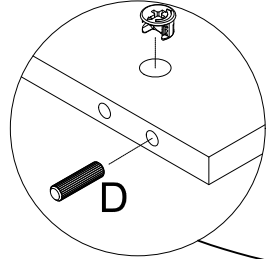


IV

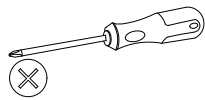


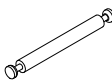


1x

	4.0x30 H1	8.0x30 D		B
1	2	4	4	

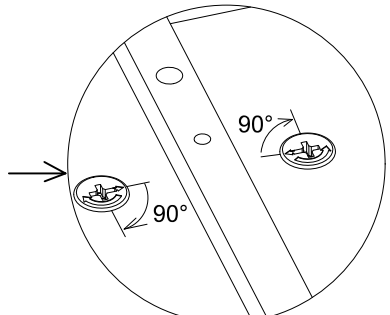
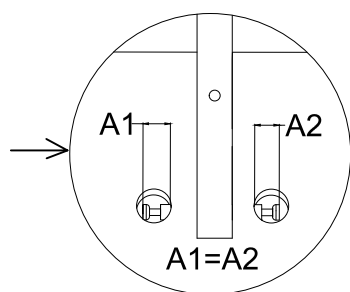
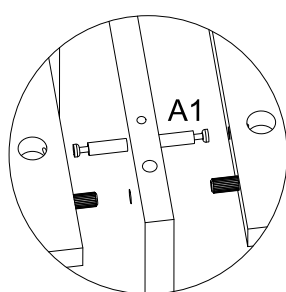
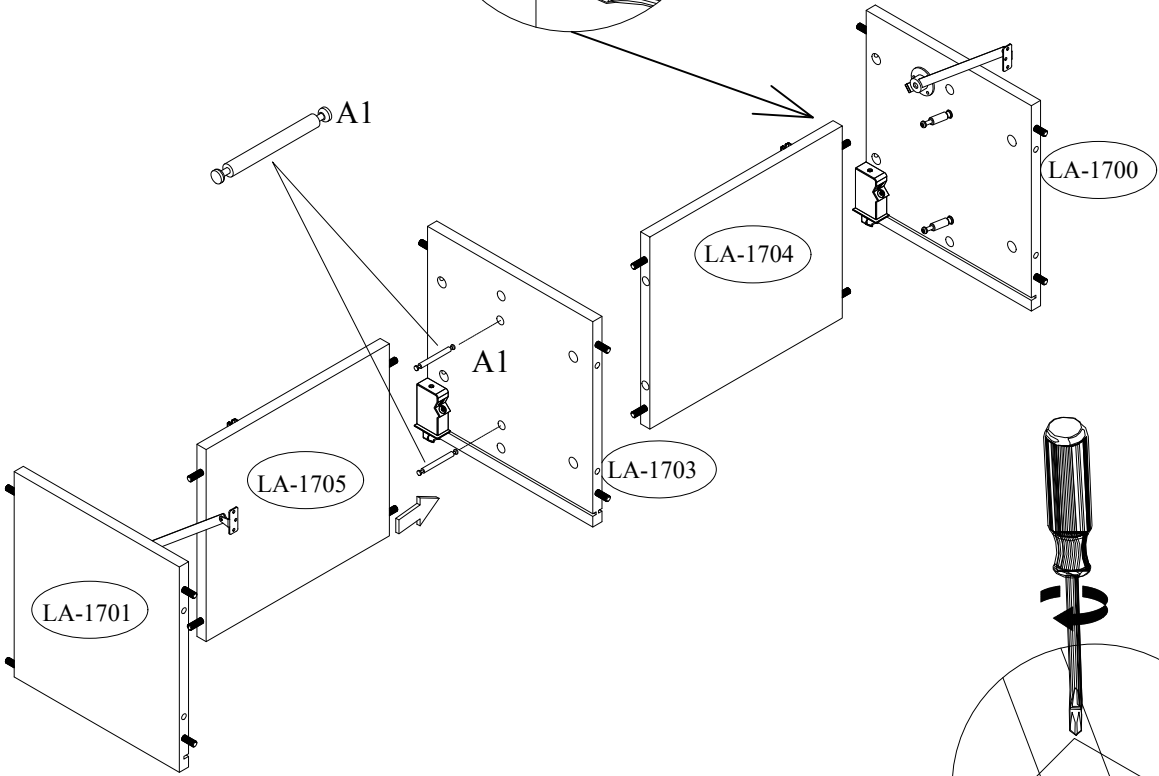
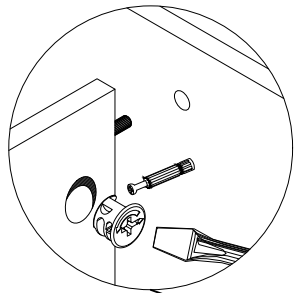
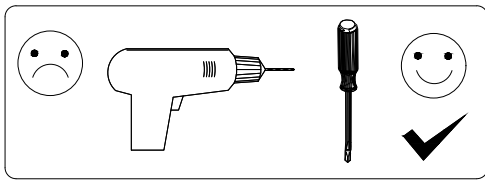
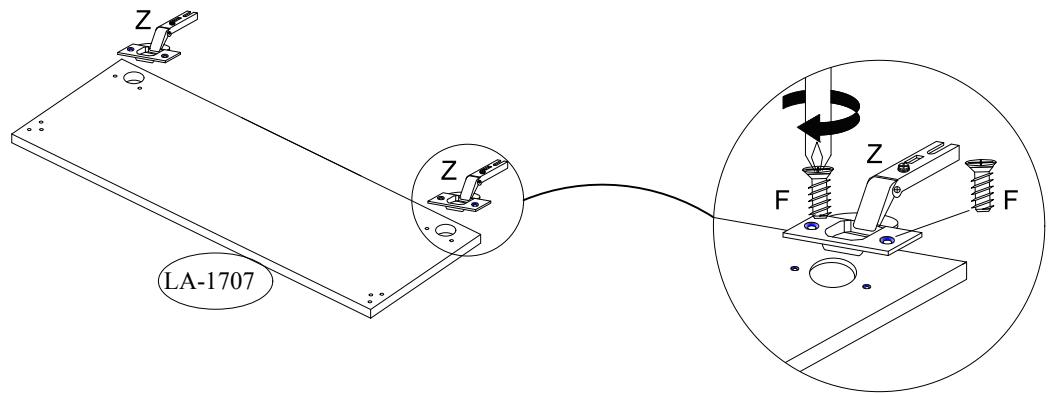


V



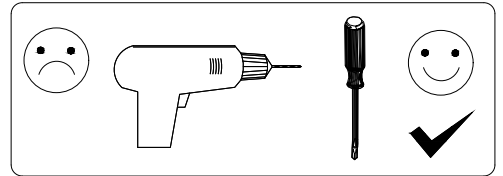
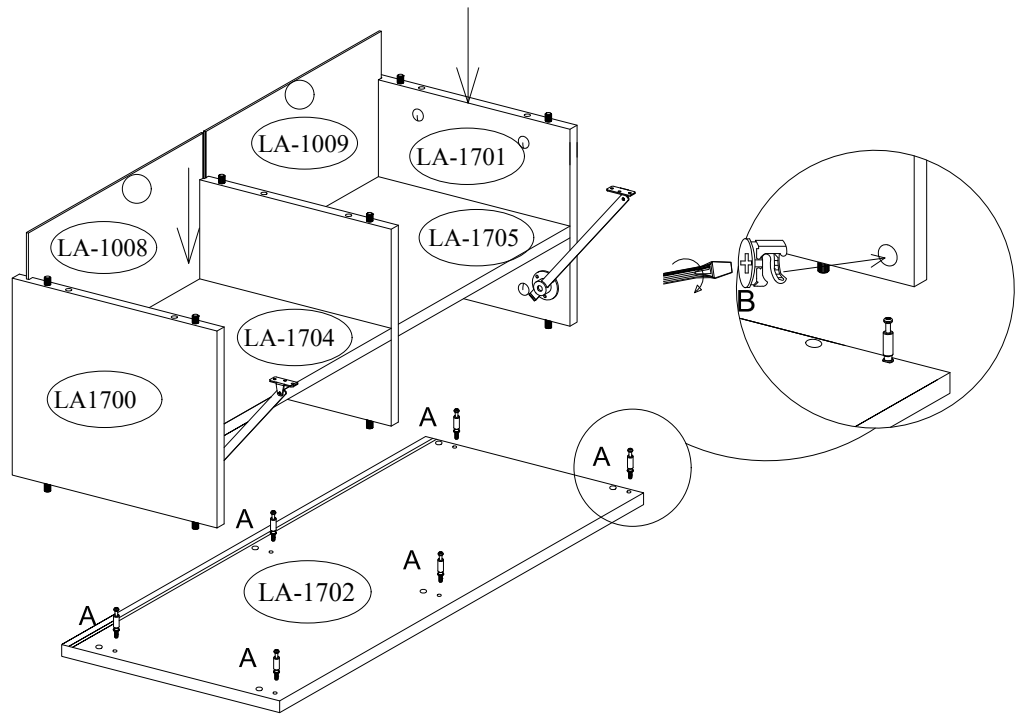
	6.3X13 	
A1	F	Z
2	4	2

1x



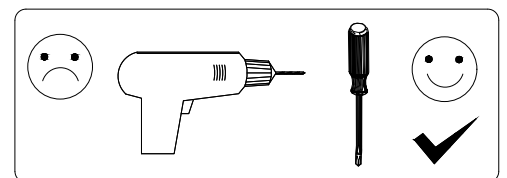
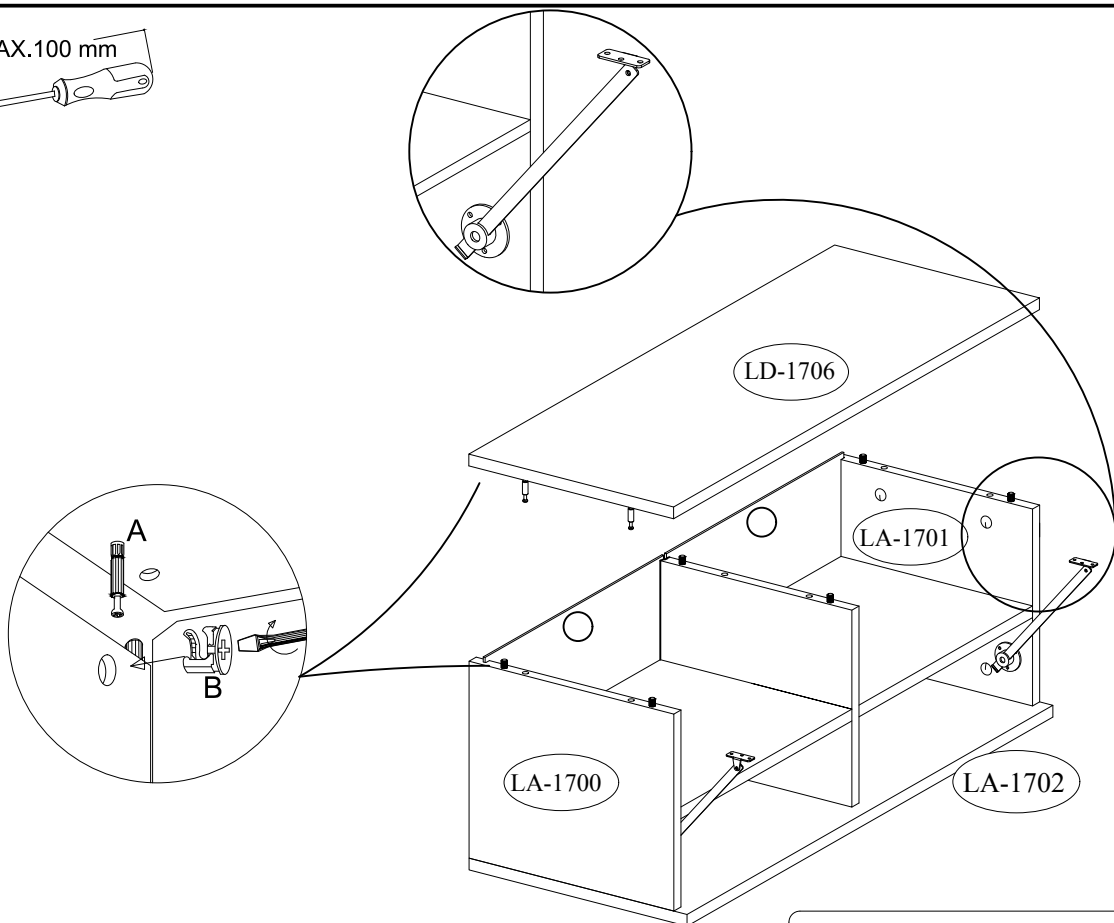
VI

MAX.100 mm

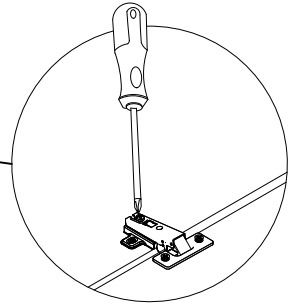
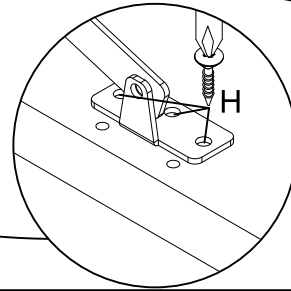
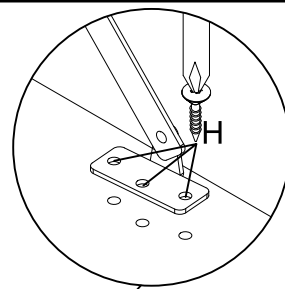
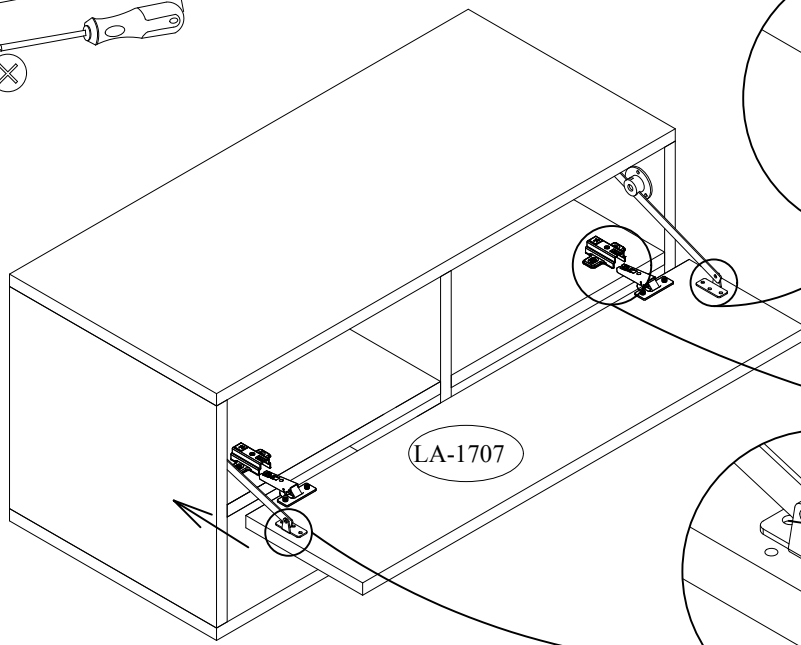
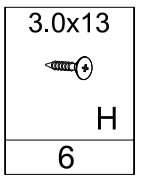
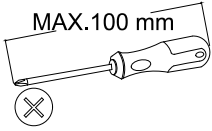


VII

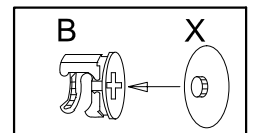
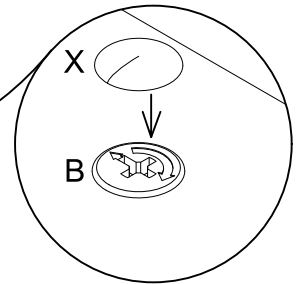
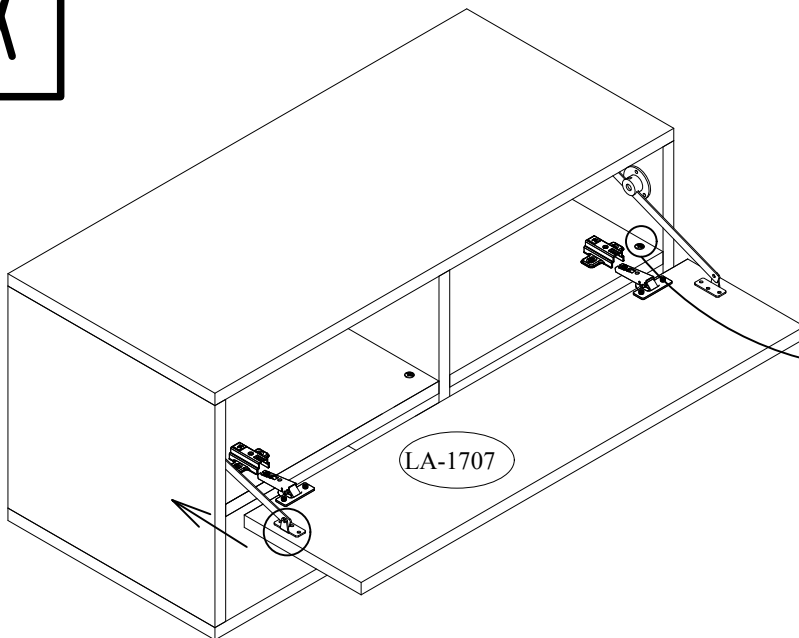
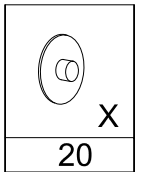
MAX.100 mm



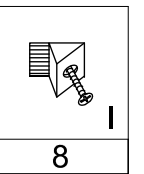
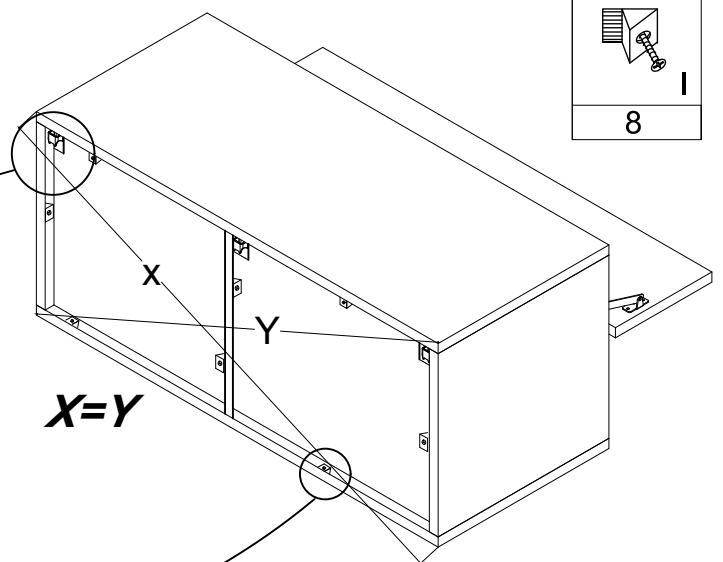
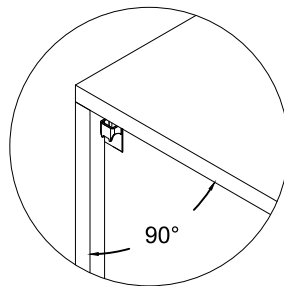
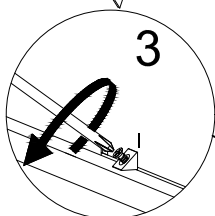
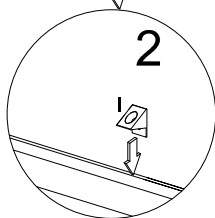
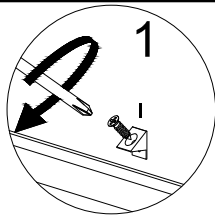
VIII



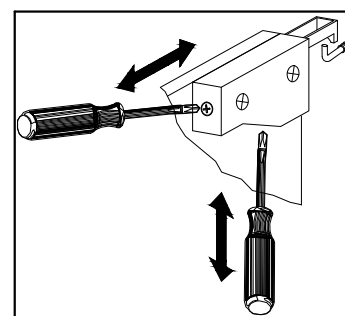
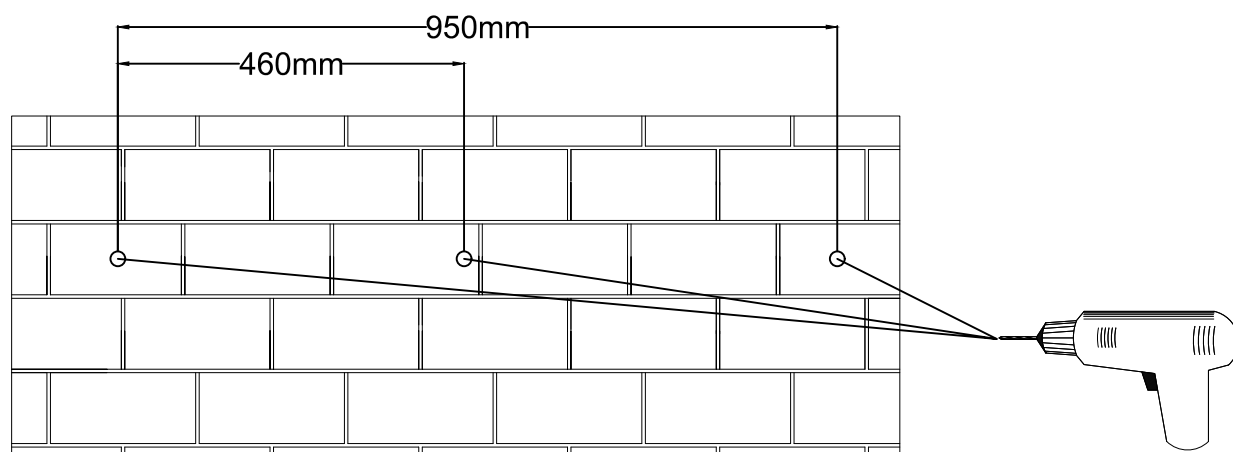
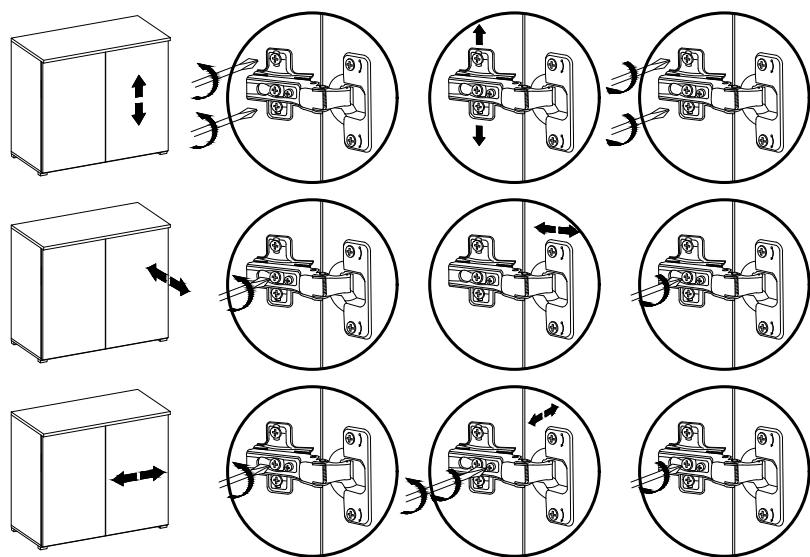
IX

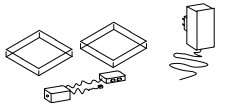


X

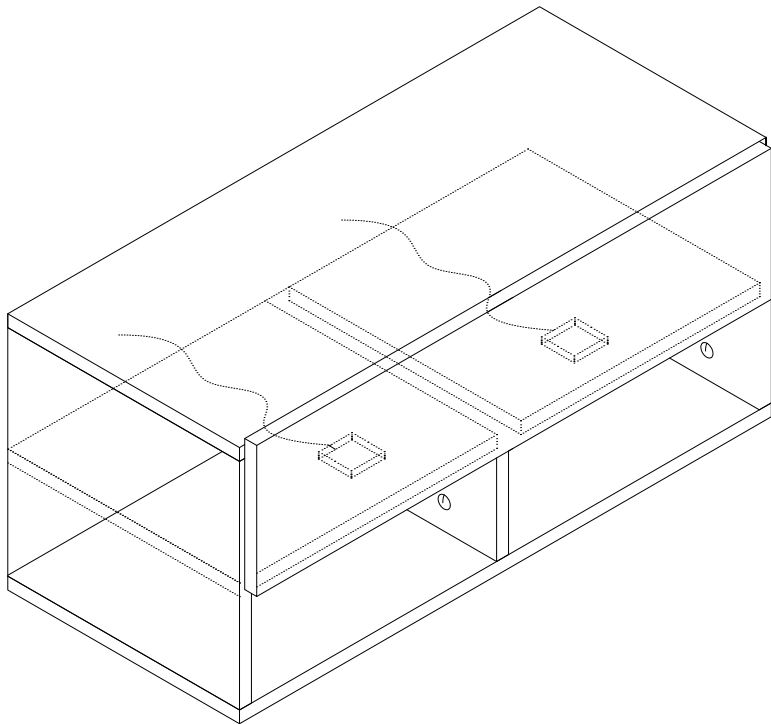


XI



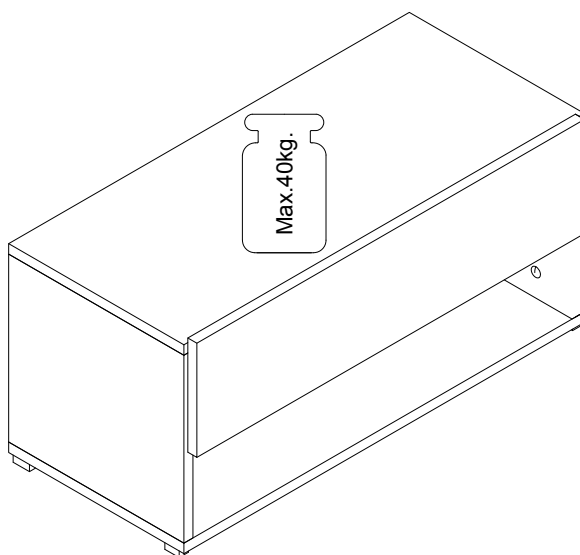


1 kpl.

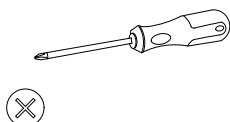




XII

B



XIII



	4.0x25
M	
4	8

