
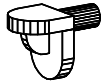


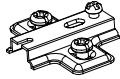
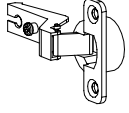
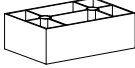
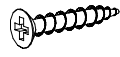


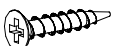

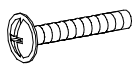

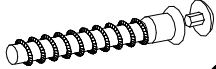

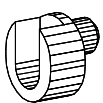


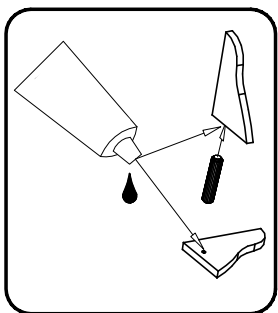
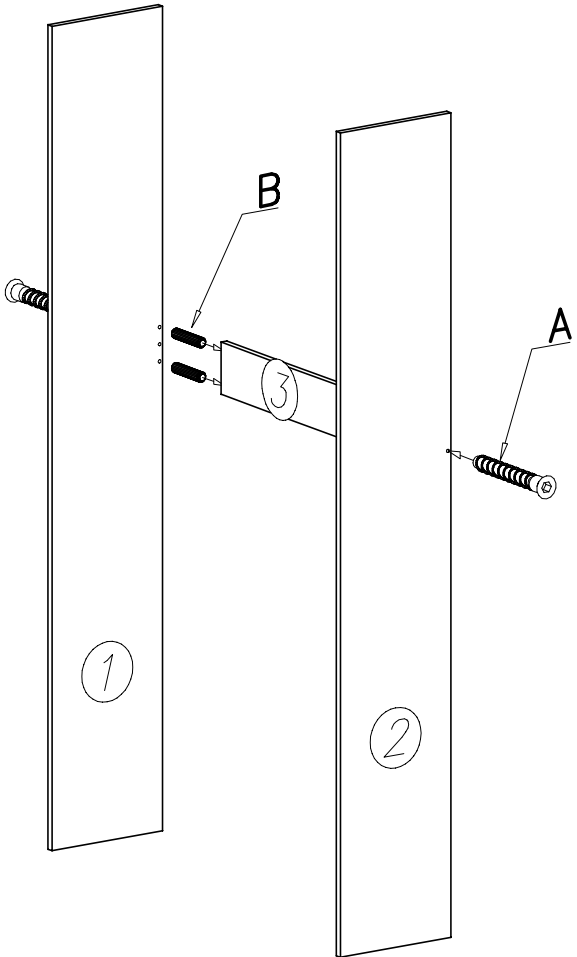
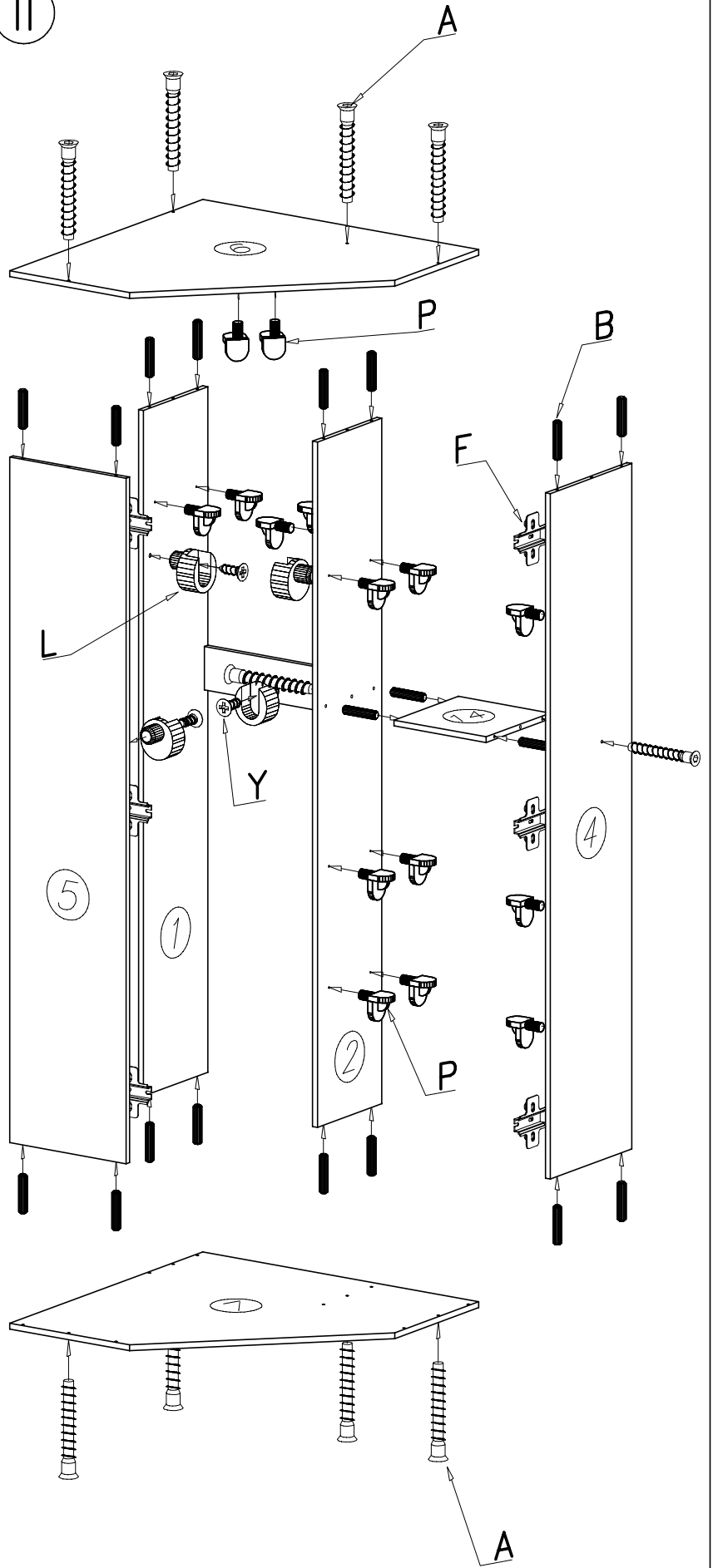


| | | | | |
|--|---|---|---|---|
| Y  3 x 13 x4 | P  x18 | T  4 x 16 x12 | X  3 x 16 x15 | |
| F  x6 | D  x6 | G  x5 | M  4 x 25 x10 | C  x20 |
| W  x2 | E  3 x 20 x75 | U  x2 | N  M4 x 22 x4 | J  578mm x1 |
| A  x12 | B  x24 | L  x4 | Z  x1 | S  854mm x1 |

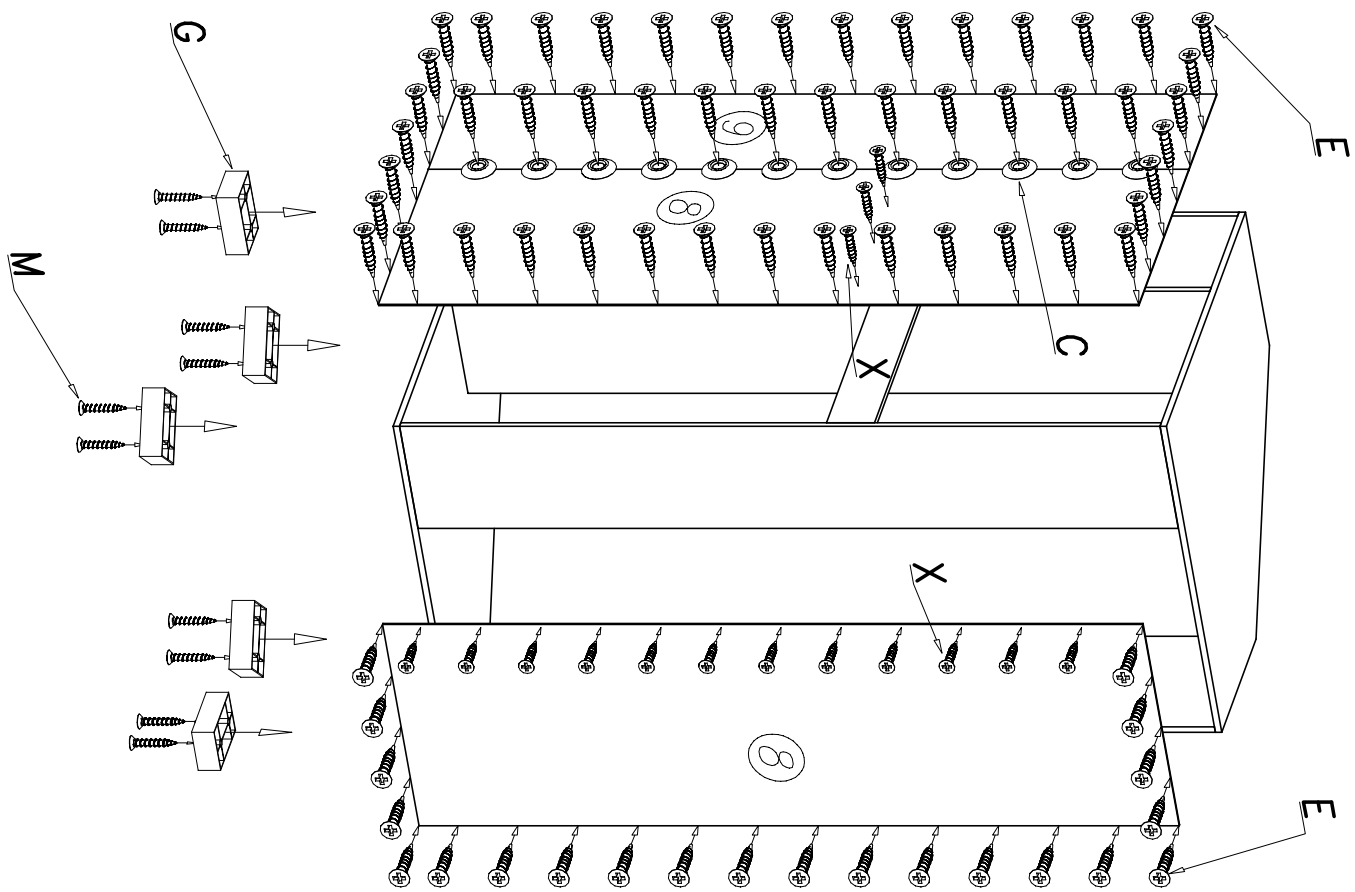
I



II



III



IV

