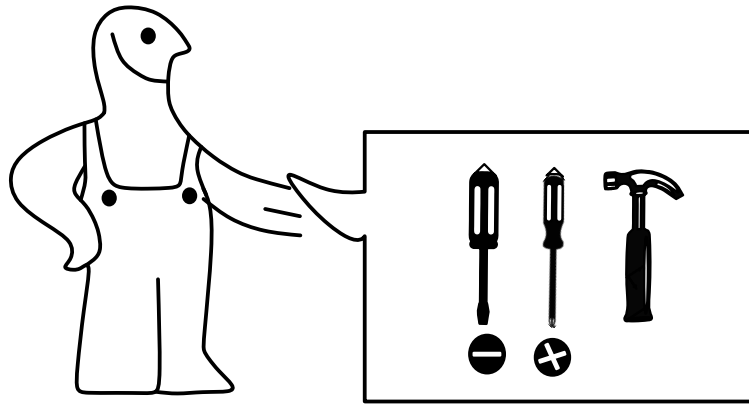
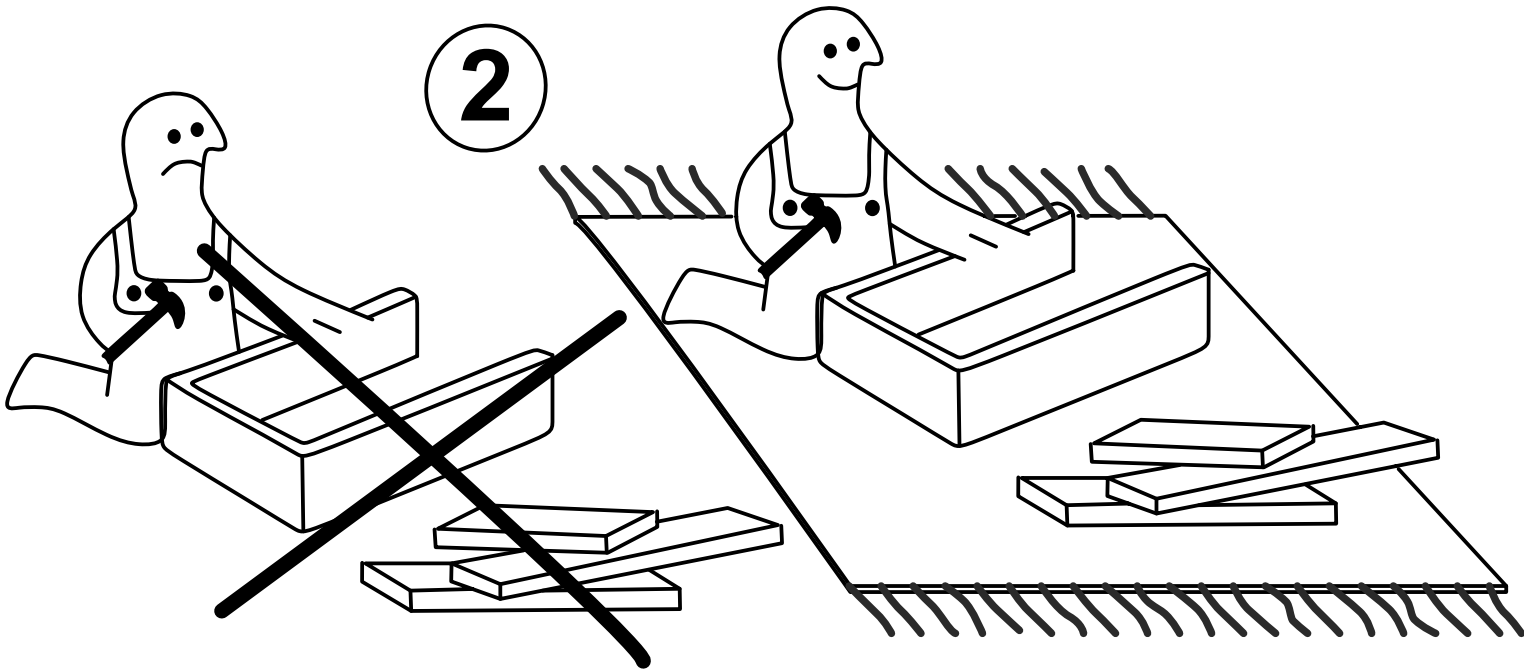


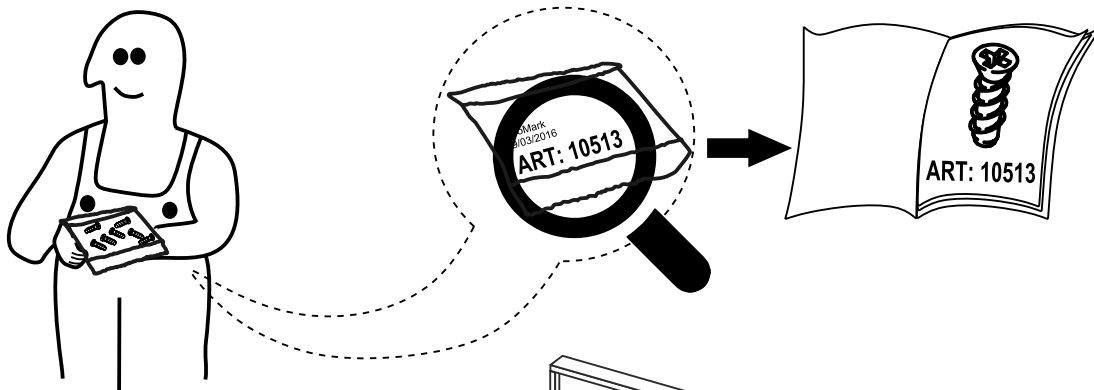
1



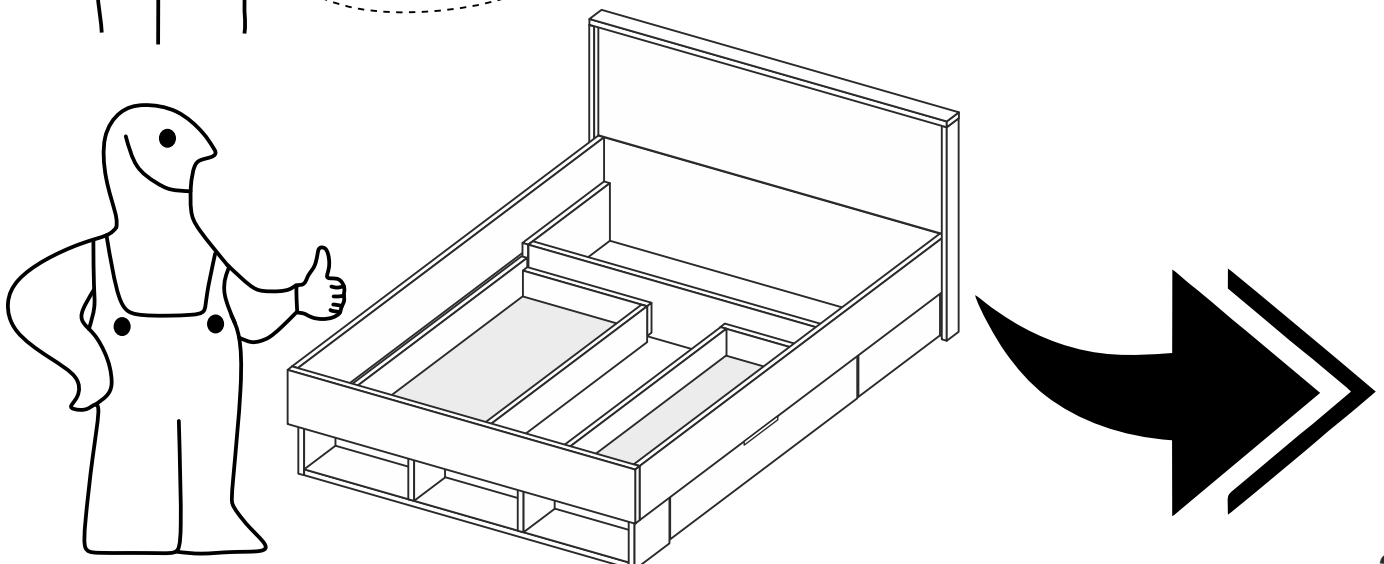
2

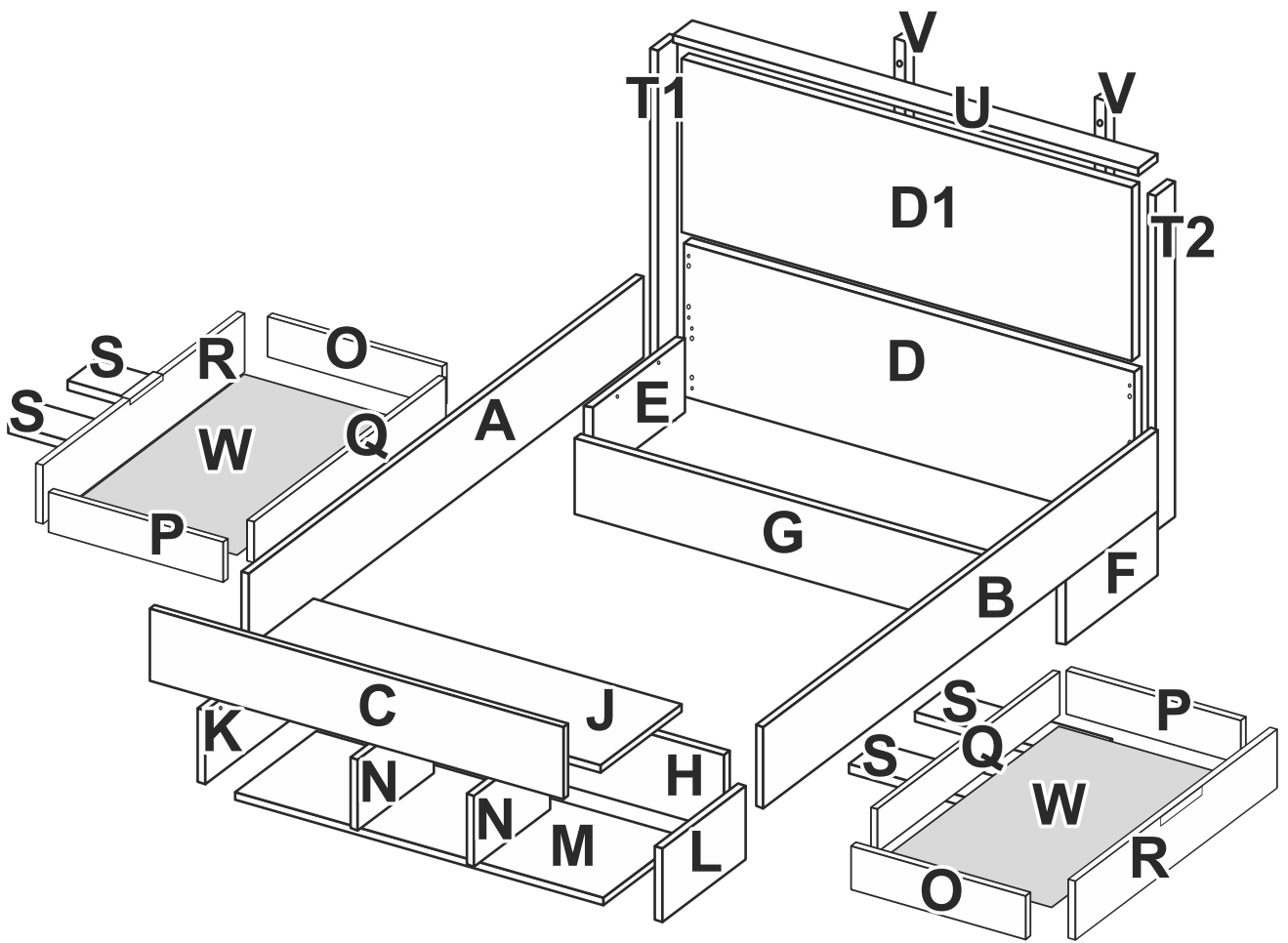


3

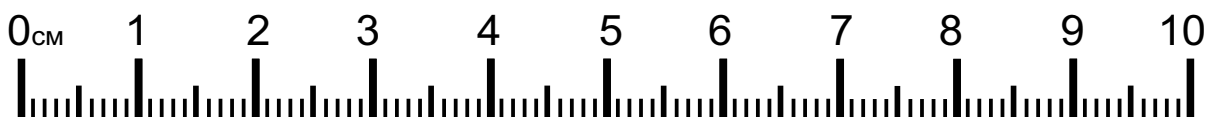
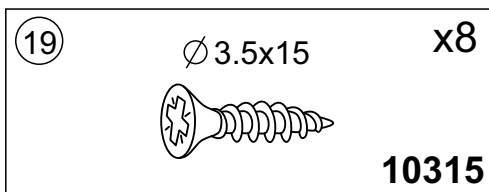
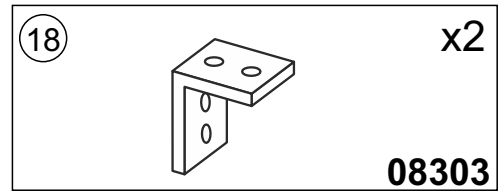
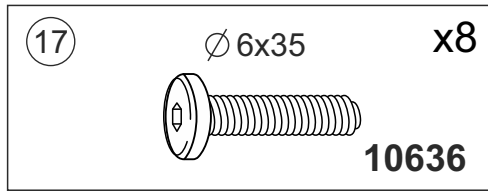
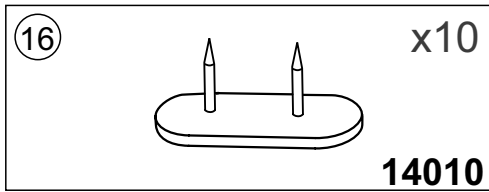
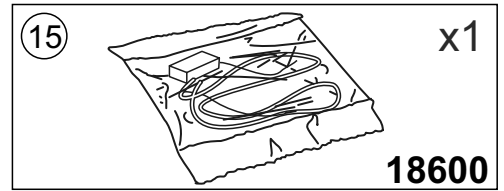
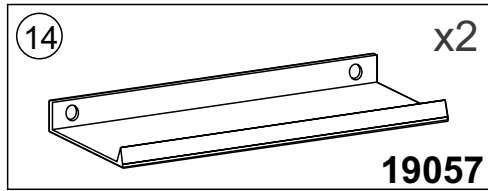
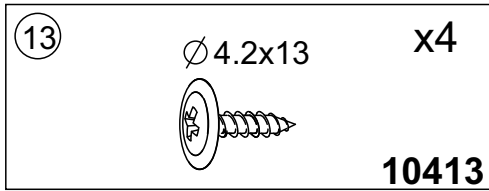
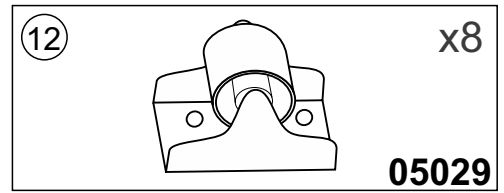
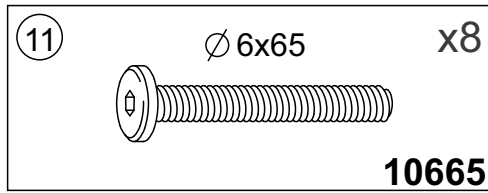
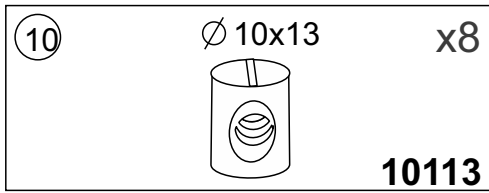
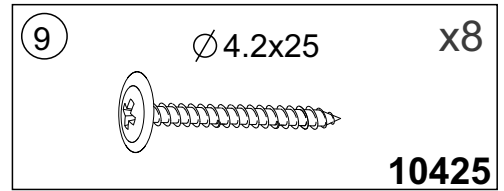
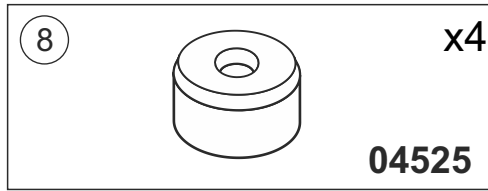
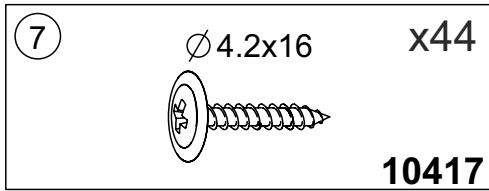
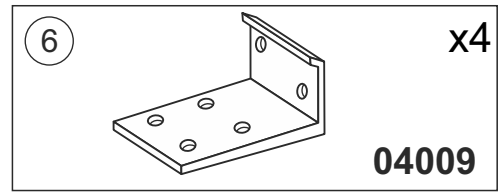
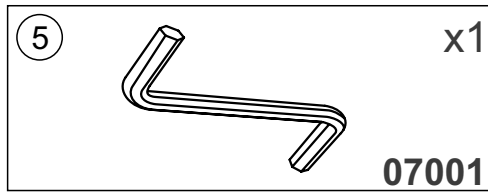
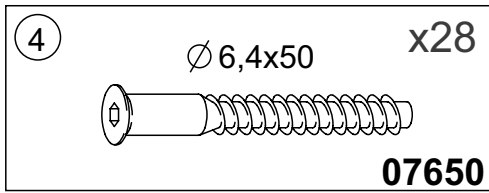
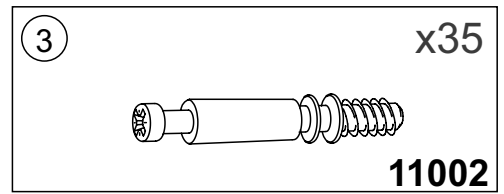
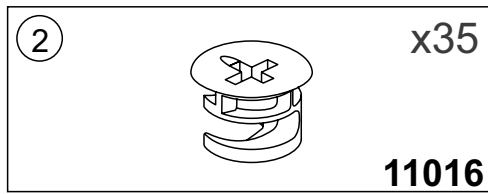
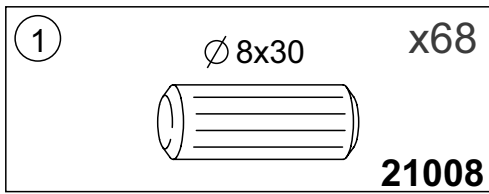


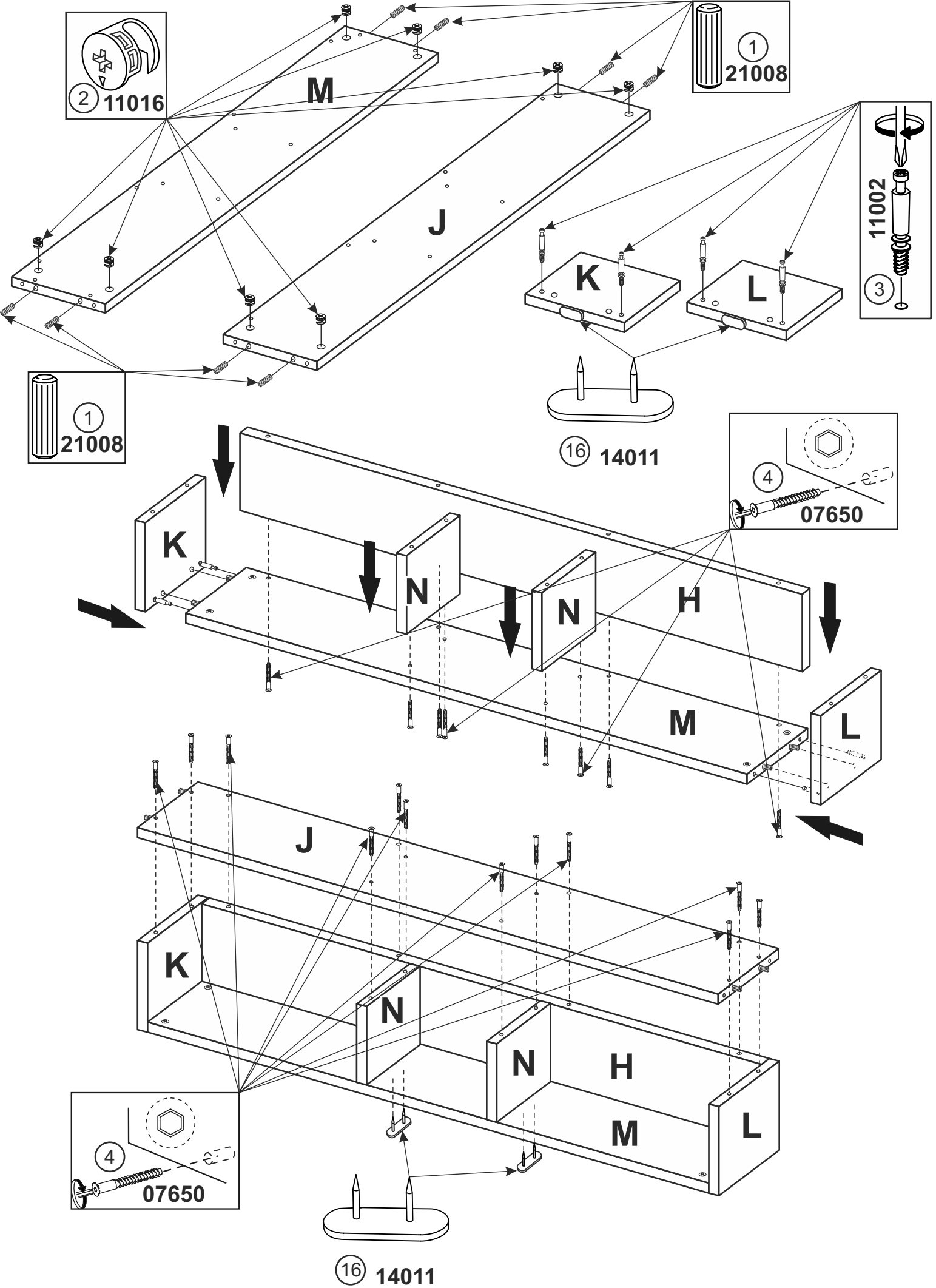
4

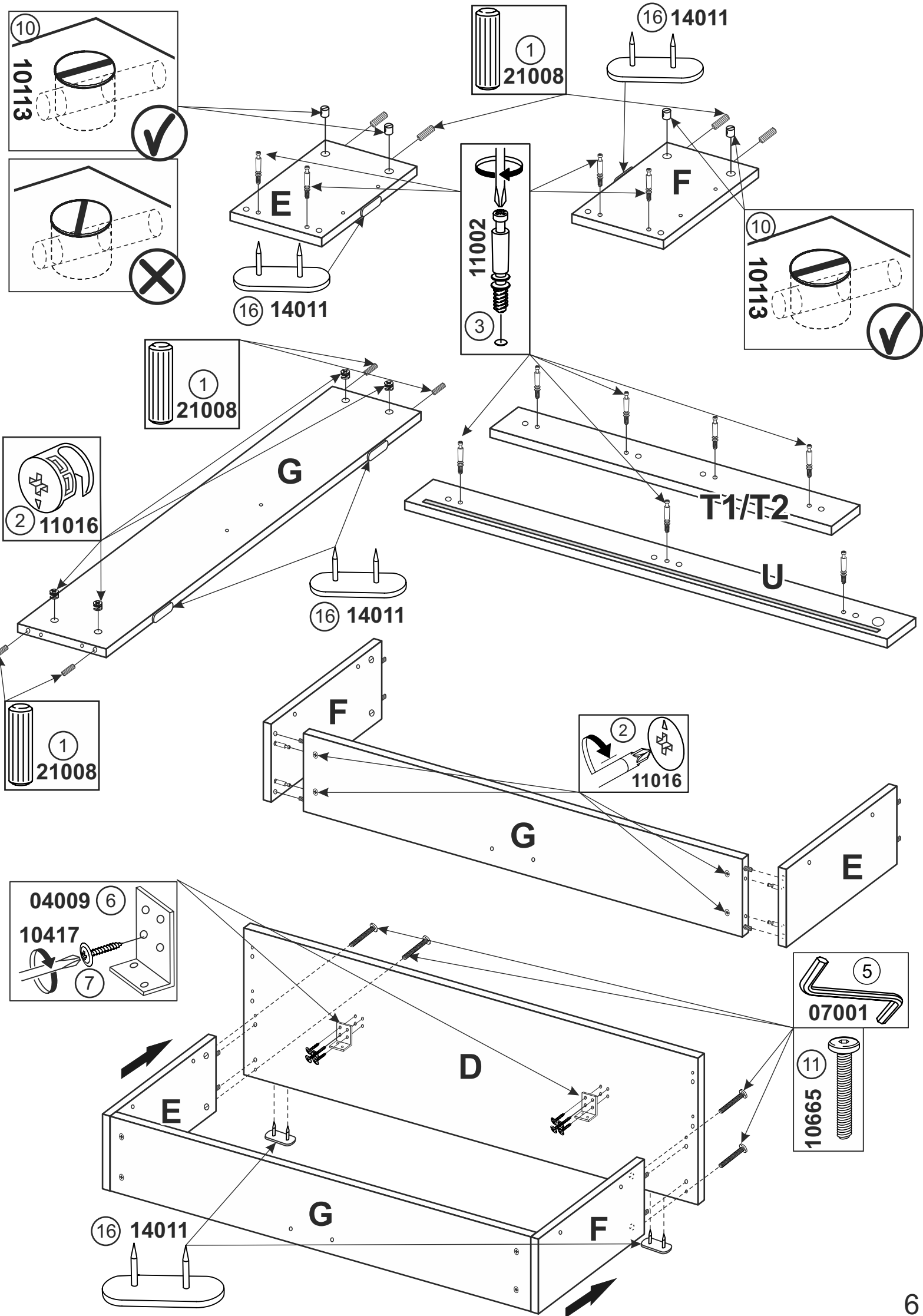


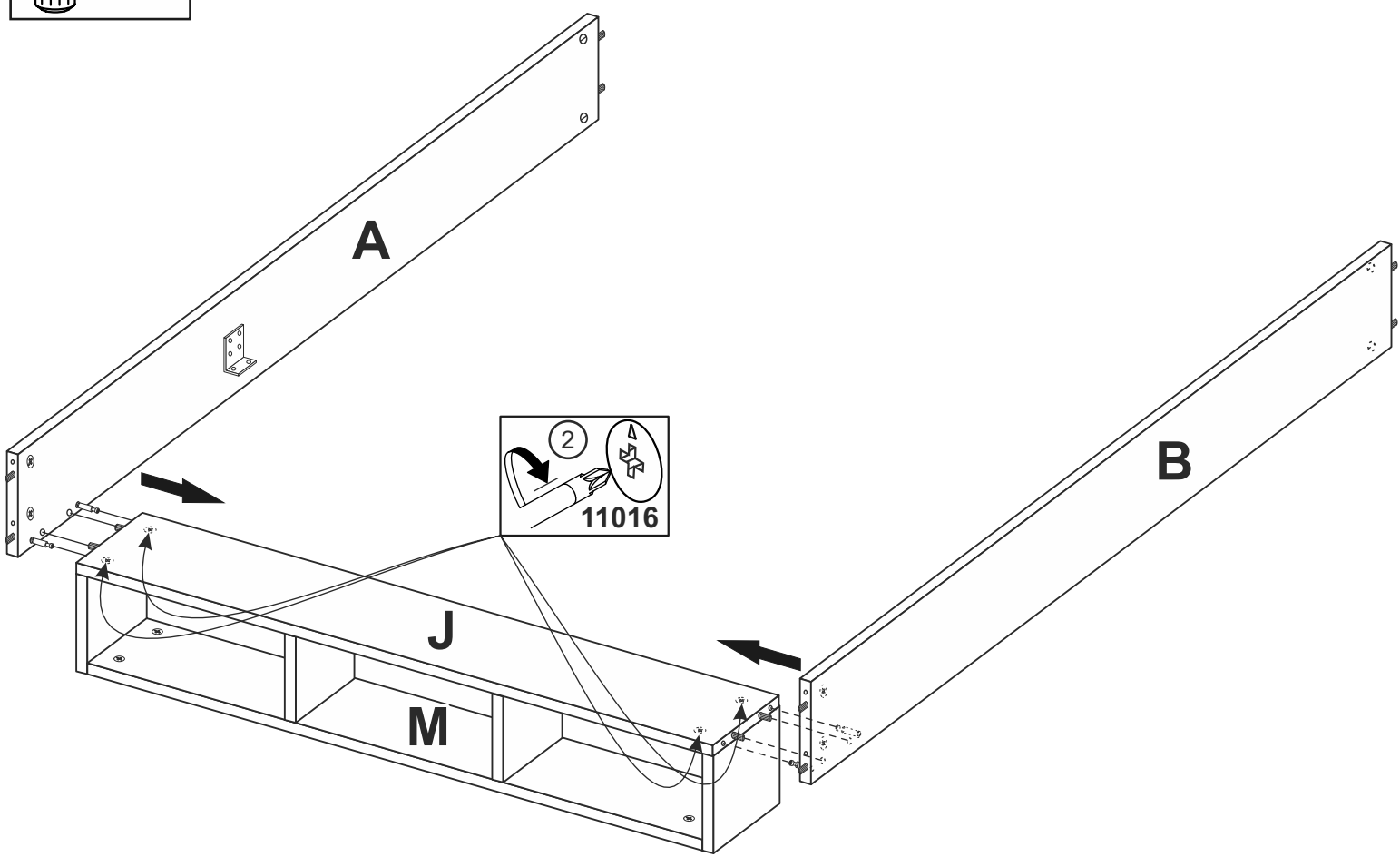
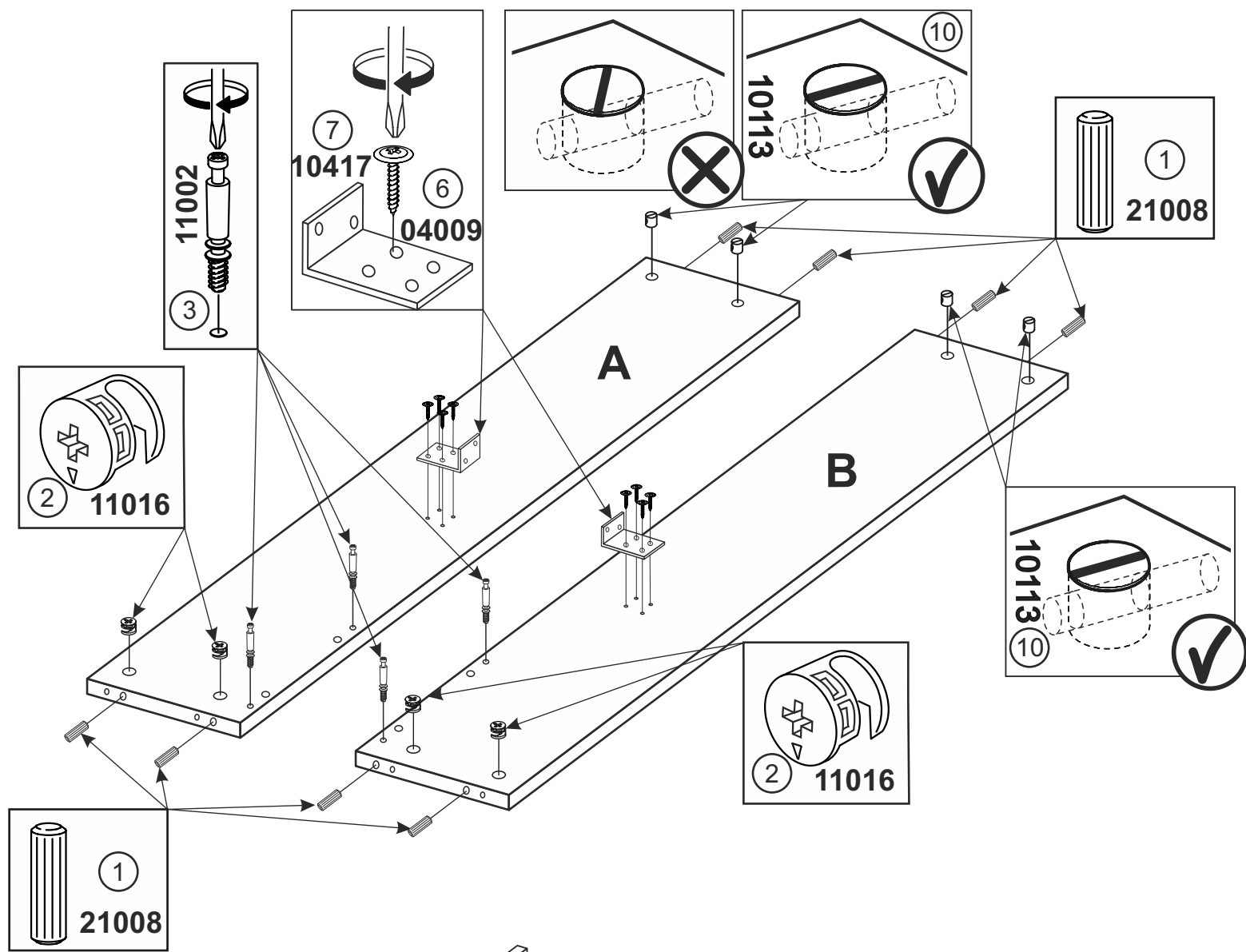


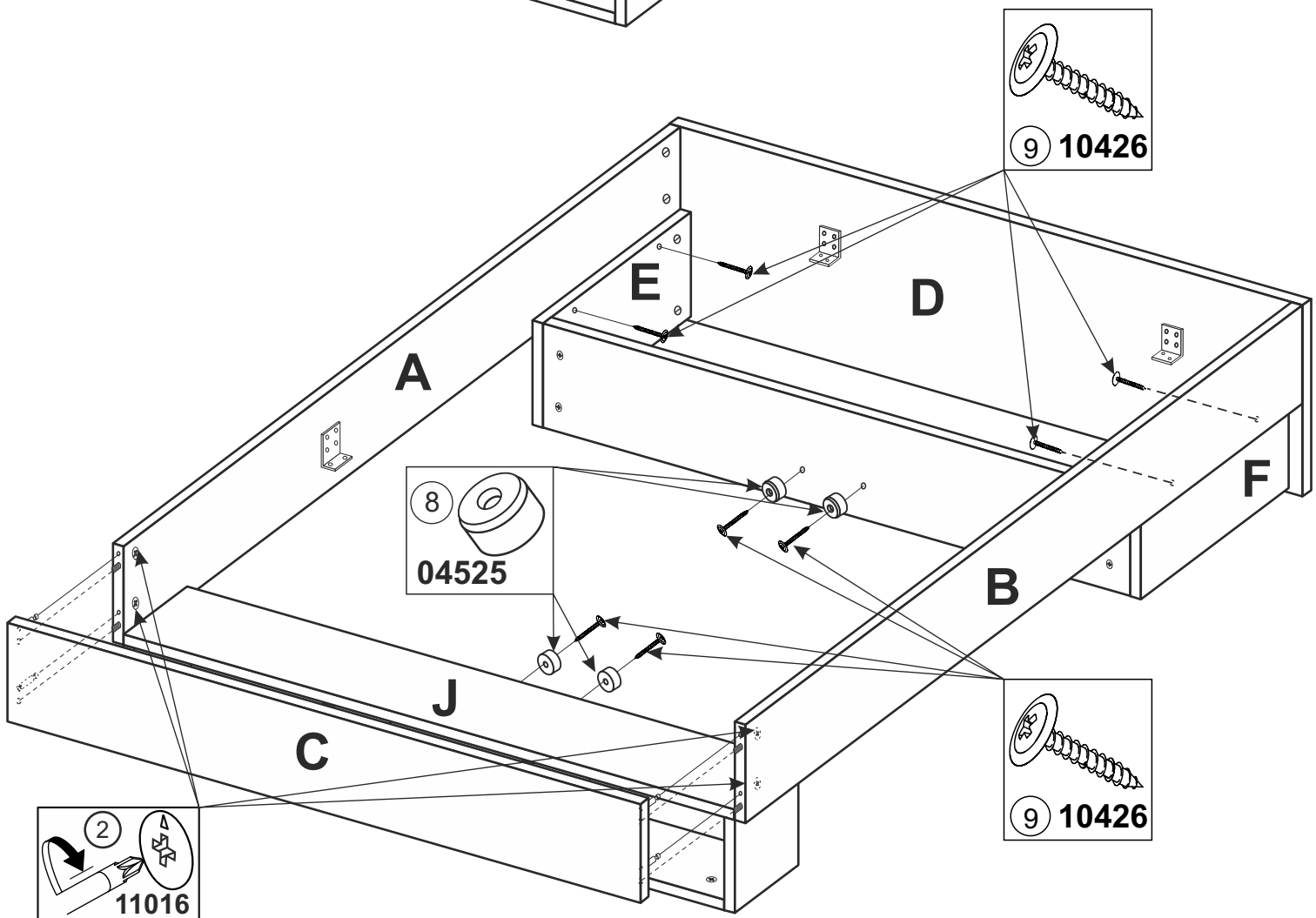
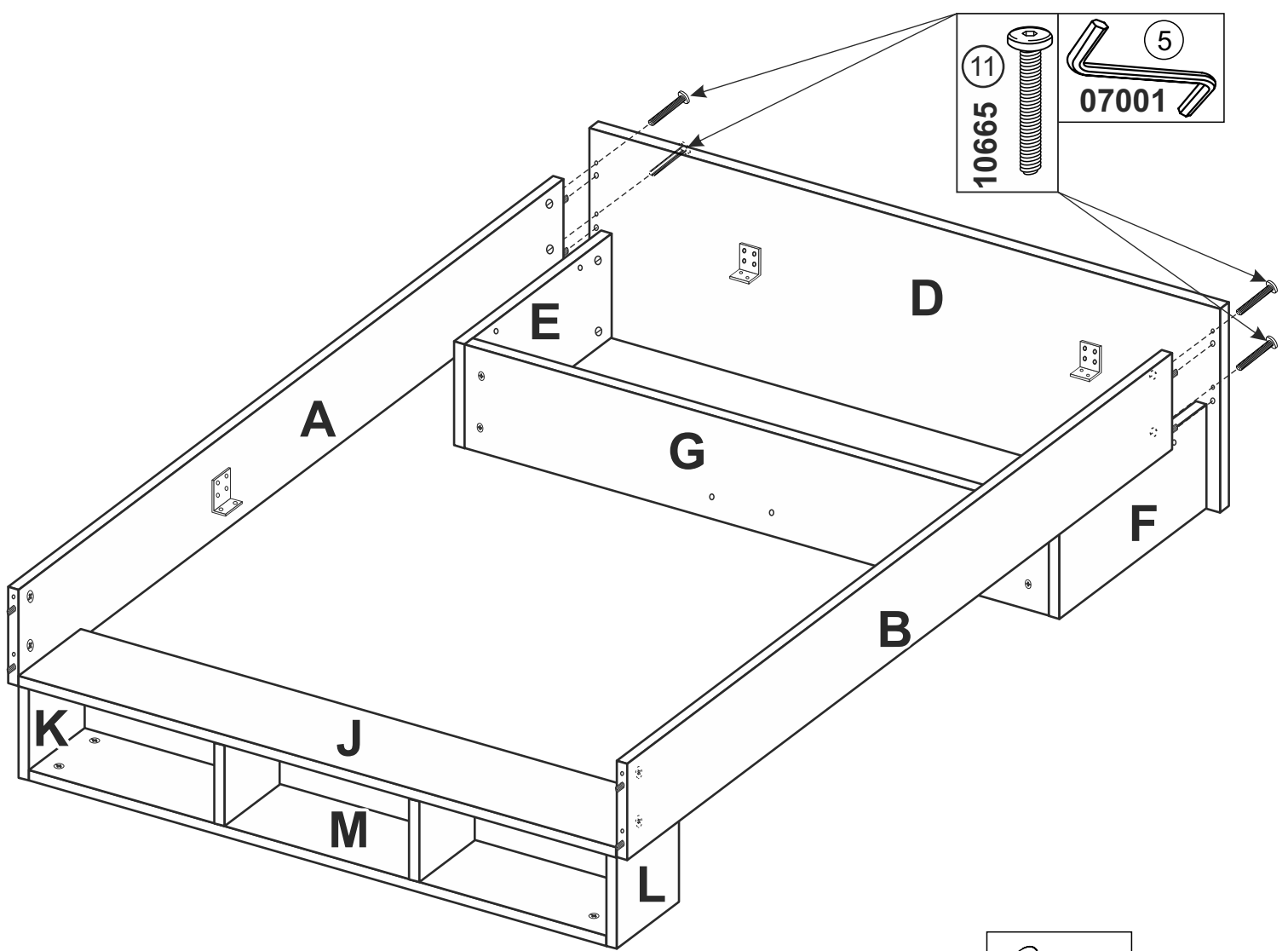
1.2 m						1.4 m					
A	-	2008	x	210	x 16 - x 1 2/3	A	-	2008	x	210	x 16 - x 1 2/3
B	-	2008	x	210	x 16 - x 1 2/3	B	-	2008	x	210	x 16 - x 1 2/3
C	-	1249	x	210	x 16 - x 1 3/3	C	-	1449	x	210	x 16 - x 1 3/3
D	-	1248	x	405	x 16 - x 1 1/3	D	-	1448	x	405	x 16 - x 1 1/3
D1	-	1248	x	474	x 16 - x 1 1/3	D1	-	1448	x	474	x 16 - x 1 1/3
E	-	534	x	215	x 16 - x 1 2/3	E	-	534	x	215	x 16 - x 1 2/3
F	-	534	x	215	x 16 - x 1 2/3	F	-	534	x	215	x 16 - x 1 2/3
G	-	1184	x	215	x 16 - x 1 2/3	G	-	1384	x	215	x 16 - x 1 2/3
H	-	1184	x	183	x 16 - x 1 3/3	H	-	1384	x	183	x 16 - x 1 3/3
J	-	274	x	1216	x 16 - x 1 3/3	J	-	274	x	1416	x 16 - x 1 3/3
K	-	274	x	199	x 16 - x 1 2/3	K	-	274	x	199	x 16 - x 1 2/3
L	-	274	x	199	x 16 - x 1 2/3	L	-	274	x	199	x 16 - x 1 2/3
M	-	274	x	1184	x 16 - x 1 3/3	M	-	274	x	1384	x 16 - x 1 3/3
N	-	258	x	183	x 16 - x 2 2/3	N	-	258	x	183	x 16 - x 2 2/3
O	-	500	x	116	x 16 - x 2 3/3	O	-	500	x	116	x 16 - x 2 3/3
P	-	500	x	116	x 16 - x 2 3/3	P	-	500	x	116	x 16 - x 2 3/3
Q	-	1161	x	136	x 16 - x 2 3/3	Q	-	1161	x	136	x 16 - x 2 3/3
R	-	1194	x	190	x 16 - x 2 2/3	R	-	1194	x	190	x 16 - x 2 2/3
S	-	484	x	100	x 16 - x 4 3/3	S	-	484	x	100	x 16 - x 4 3/3
T1	-	879	x	80	x 16 - x 1 1/3	T1	-	879	x	80	x 16 - x 1 1/3
T2	-	879	x	80	x 16 - x 1 1/3	T2	-	879	x	80	x 16 - x 1 1/3
U	-	1281	x	80	x 16 - x 1 1/3	U	-	1481	x	80	x 16 - x 1 1/3
V	-	800	x	45	x 25 - x 2 1/3	V	-	800	x	45	x 25 - x 2 1/3
W	-	1192	x	496	x 3 - x 2 1/3	W	-	1192	x	496	x 3 - x 2 1/3

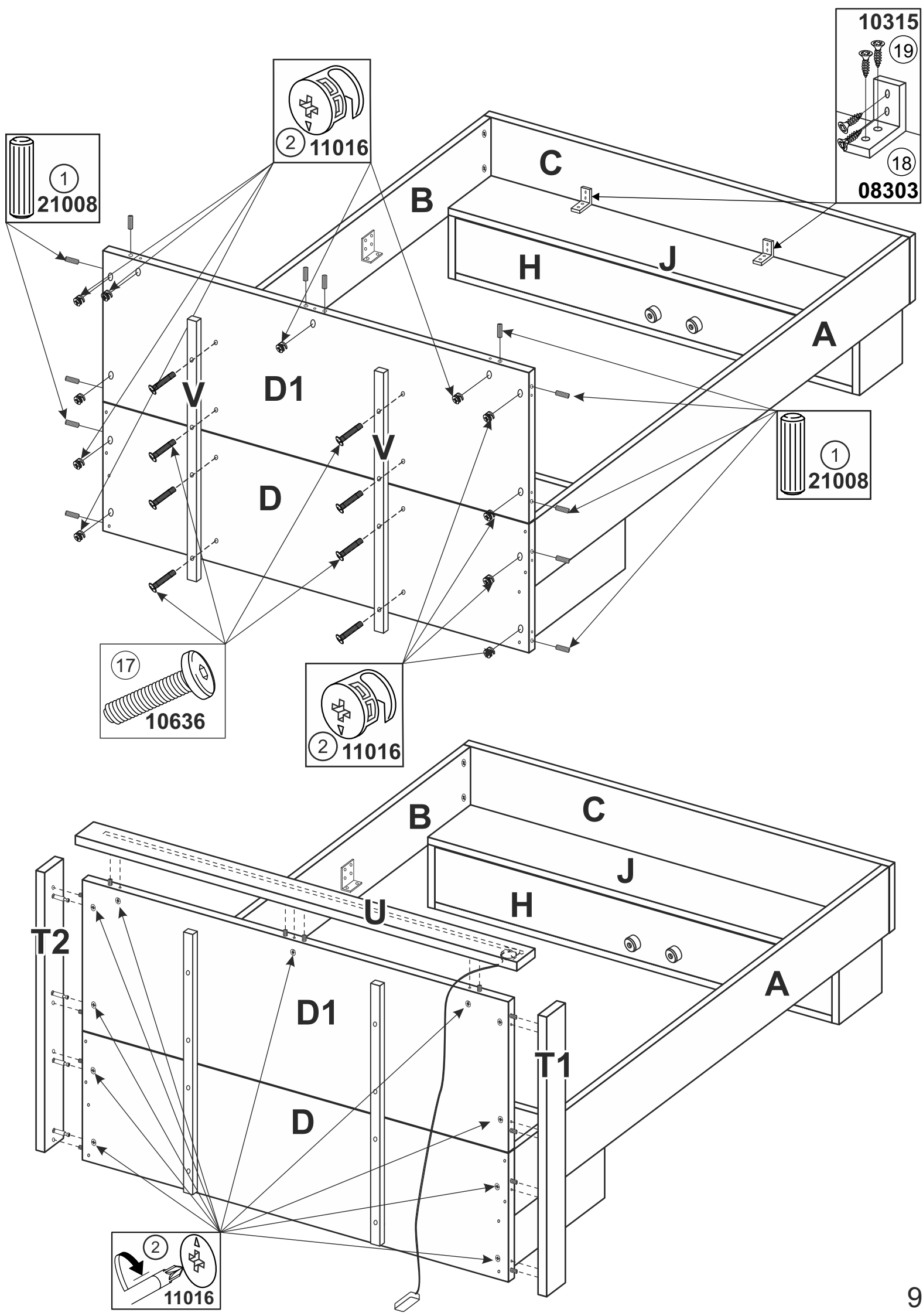


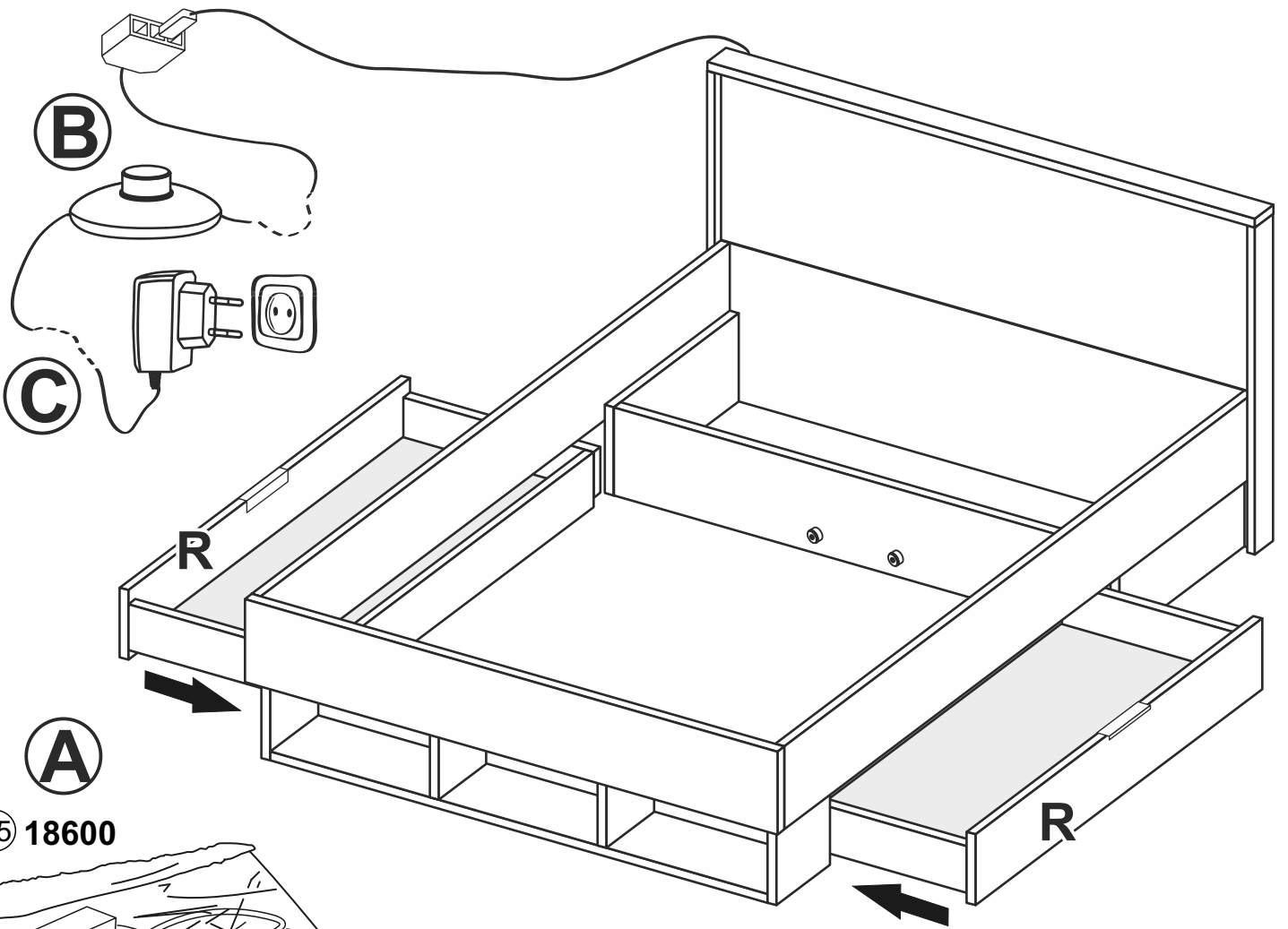












15 18600