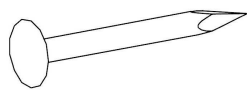

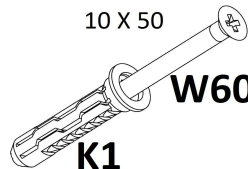
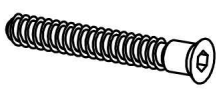

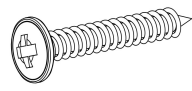
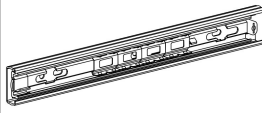

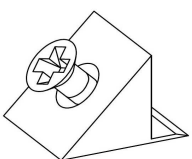
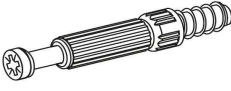
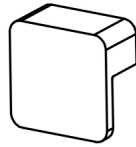
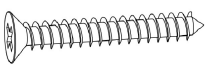
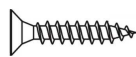
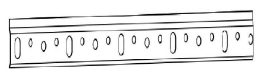
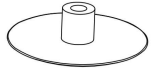
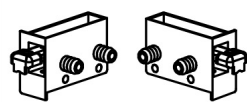
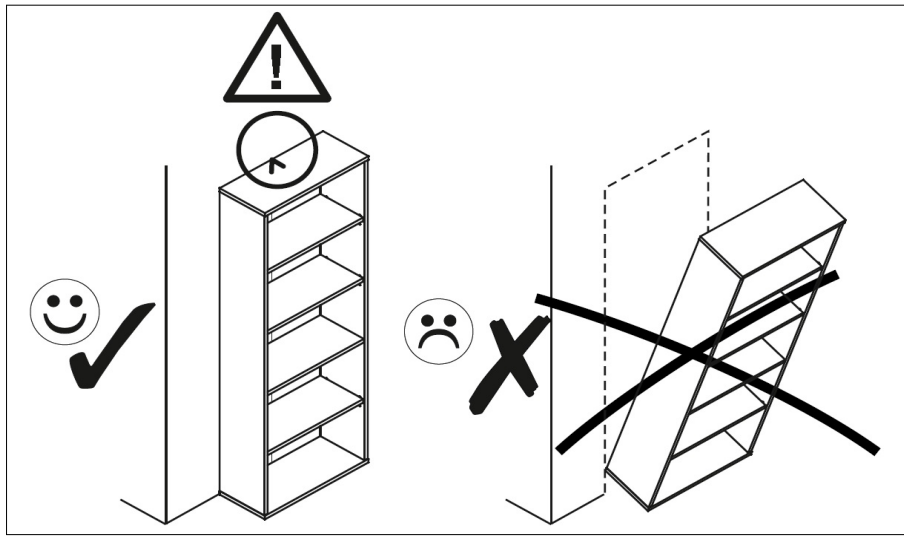
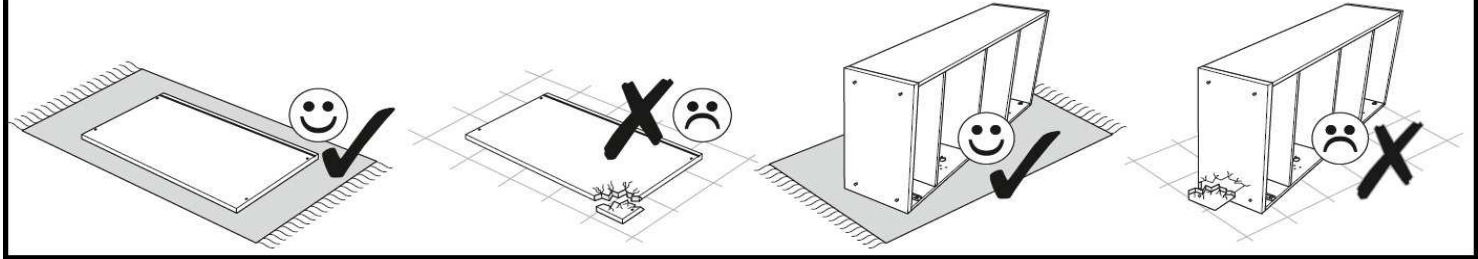
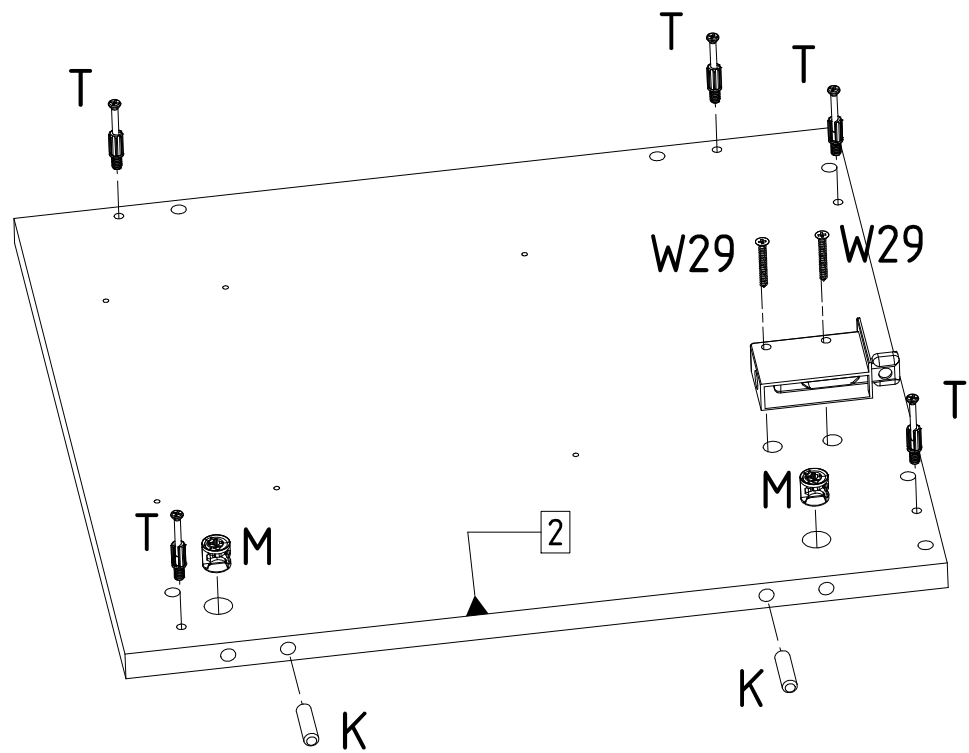
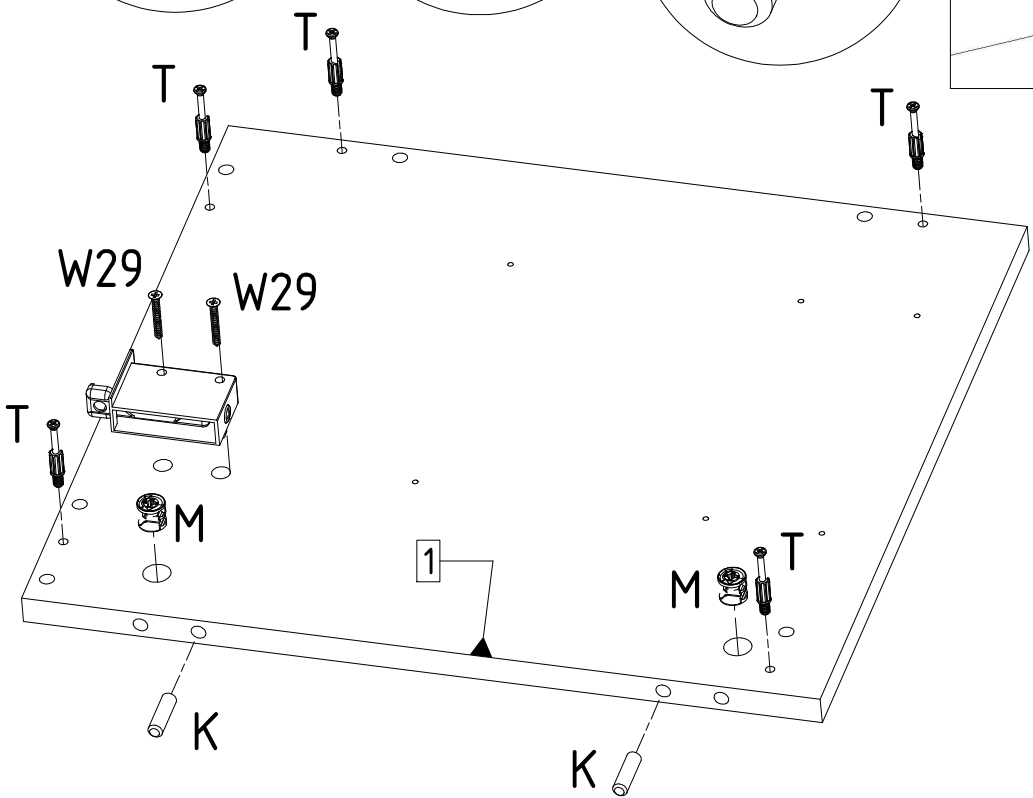
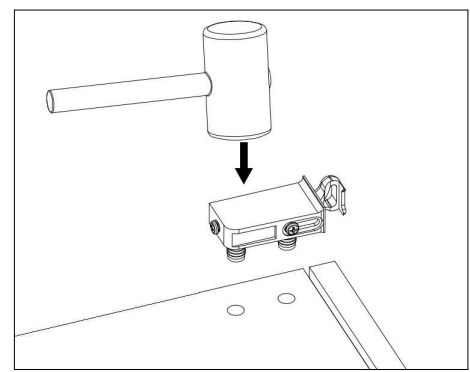
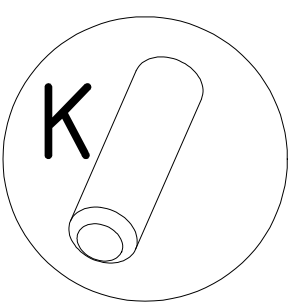
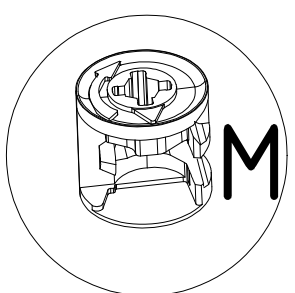
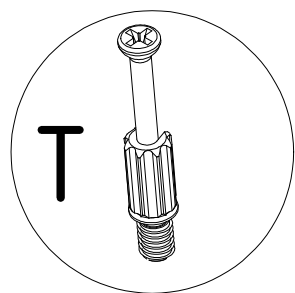
 <b>A1</b>	 <b>G</b>	8 x 30  <b>K</b>	10 X 50  <b>K1</b>	 <b>KN</b>
15 x 12  <b>M</b>	4 x 30  <b>M30</b>	L350  <b>PKR</b>	L350  <b>PWK</b>	 <b>ST</b>
6 x 34 mm  <b>T</b>	 <b>UK</b>	4 x 30 mm  <b>W29</b>	3 x 16mm  <b>W3</b>	L= 765 mm  <b>WM</b>
 <b>Z</b>	LEFT / RIGHT  <b>ZM01</b>			

BL [1]	440	404	1	A1	1
BP [2]	440	404	1	G	35
FTS1 [3]	797	196	1	K	22
FTS2 [4]	797	196	1	K1	5
KBL [5]	350	95	2	KN	16
KBL2 [6]	350	95	1	M	22
KBP [7]	350	95	2	M30	4
KBP2 [8]	350	95	1	PKR	4
KD [9]	739	354	1	PWK	4
KD2 [10]	357	294	2	ST	4
KT [11]	711	95	1	T	22
KT2 [12]	264	95	2	UK_50x50	2
LC1 [13]	767	70	2	W29	4
LC2 [14]	767	100	1	W3	20
LS [15]	95	151	1	W60	5
WD [16]	440	767	1	WM	1
WG [17]	800	459	1	Z	22
				ZM01	2

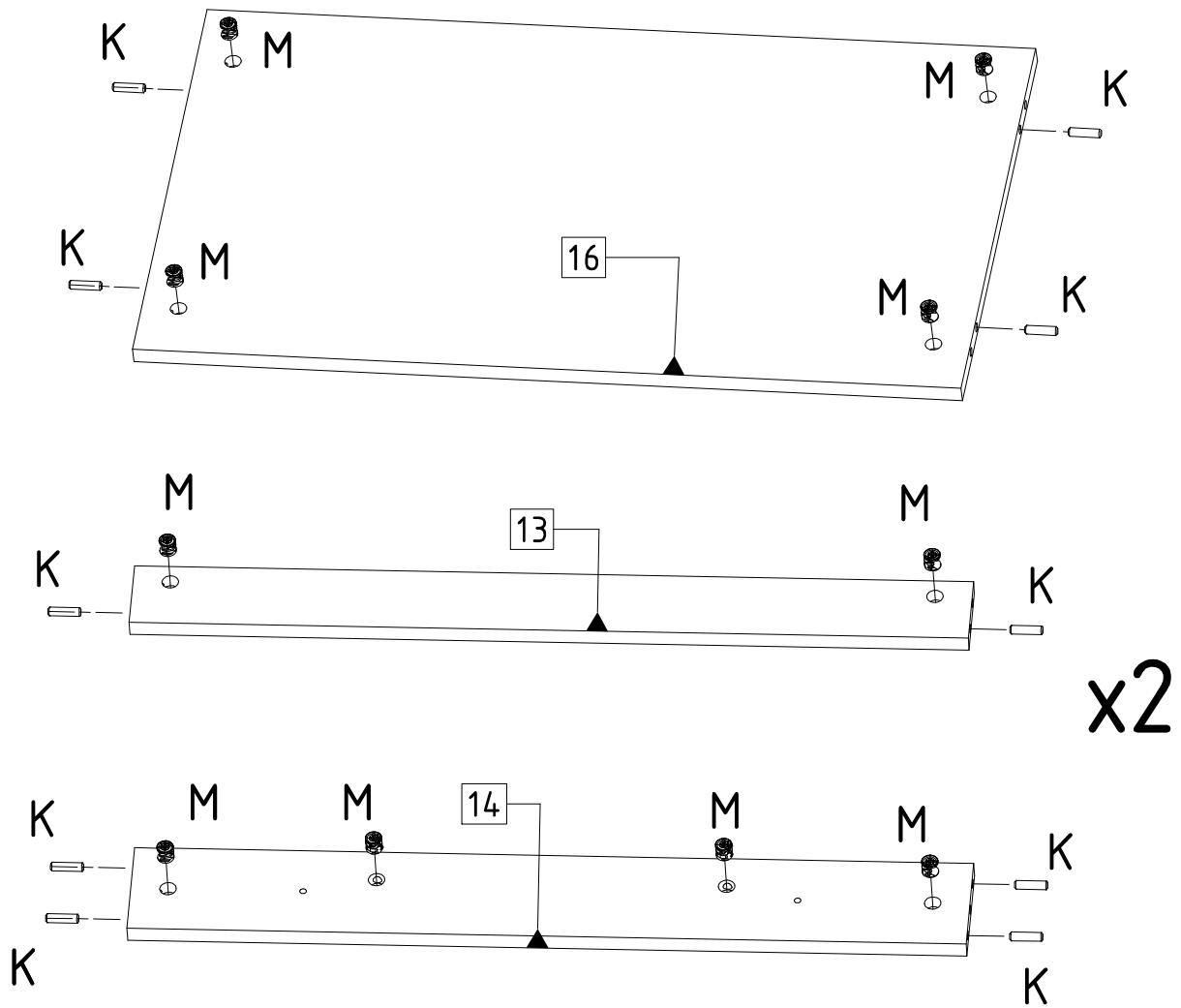




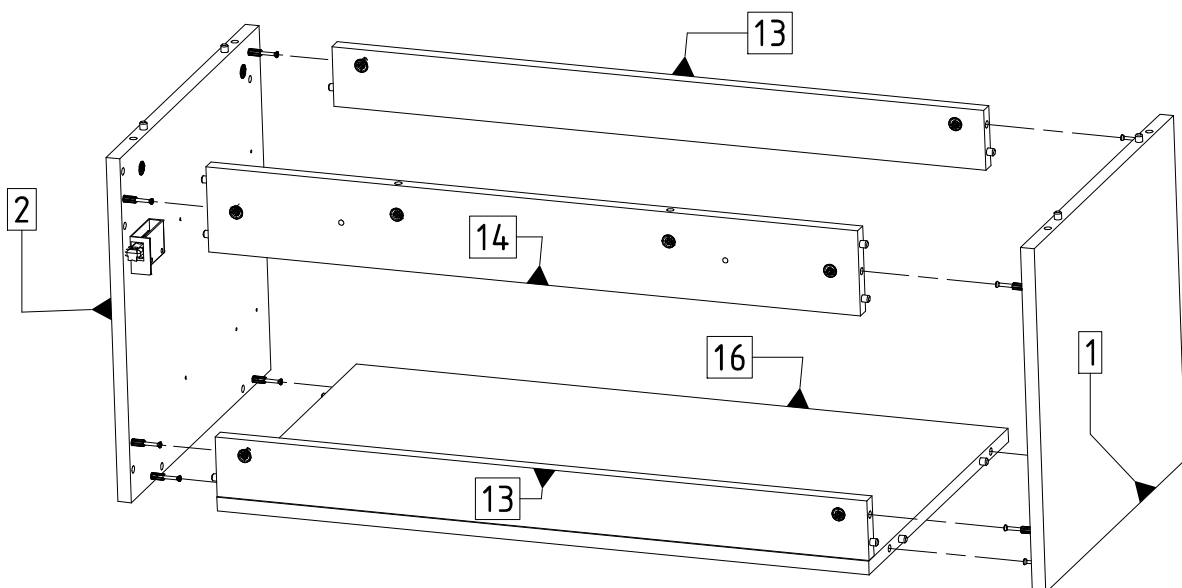
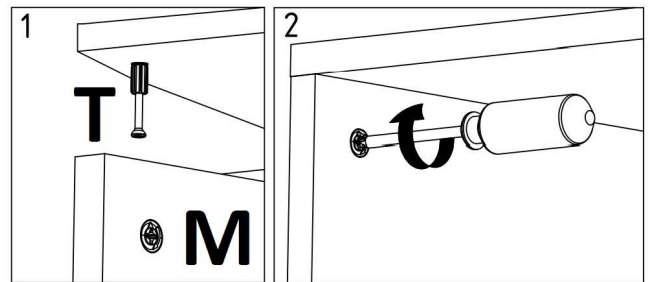
1.



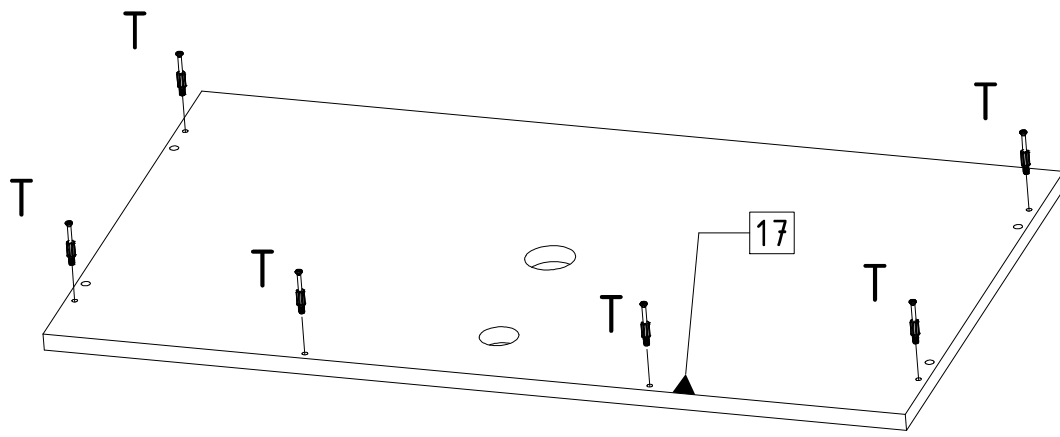
2.



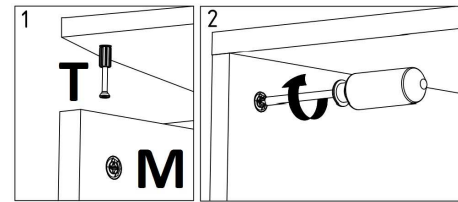
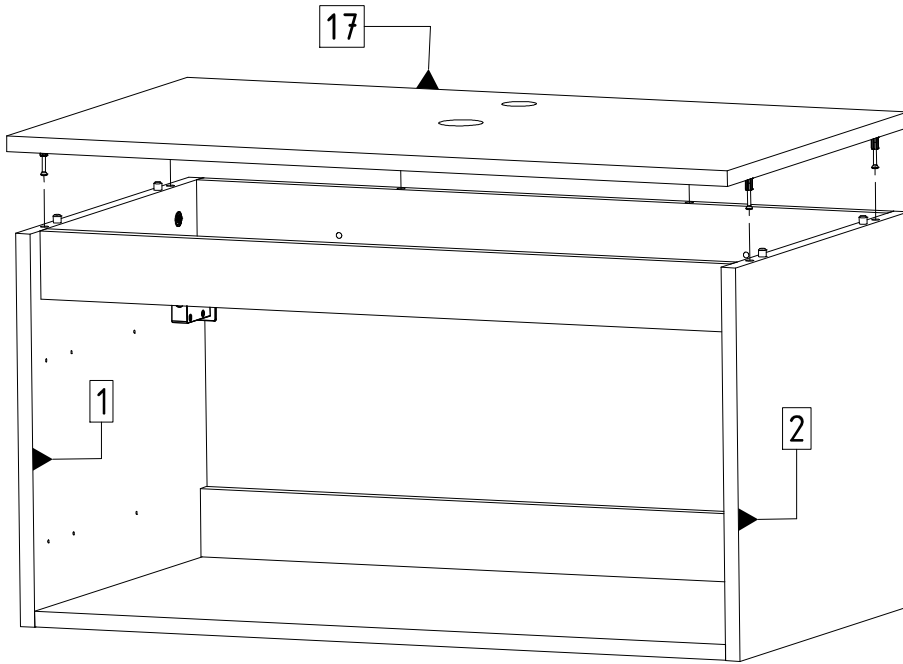
3.



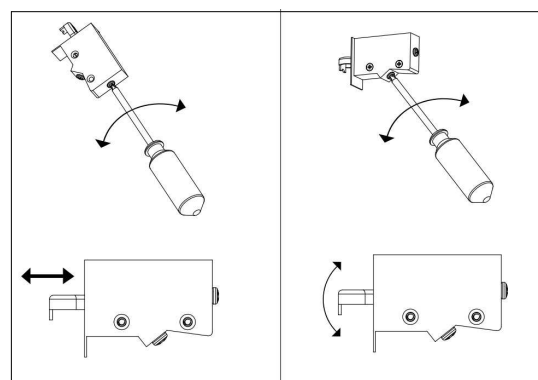
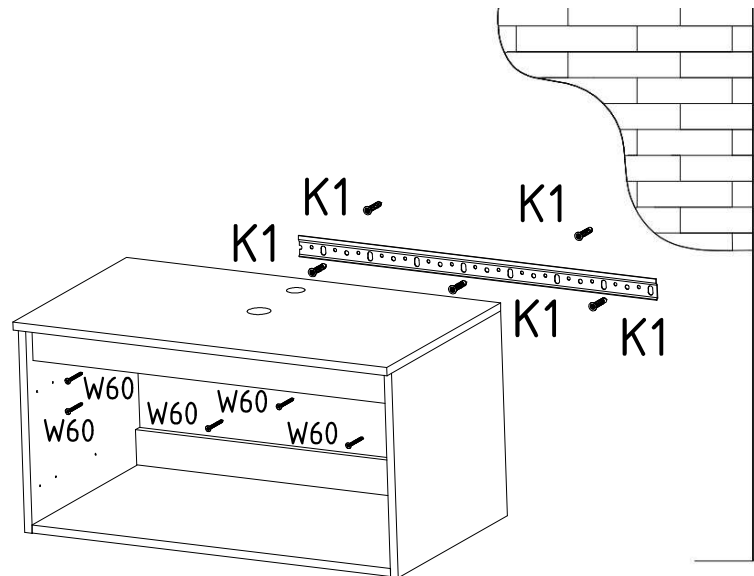
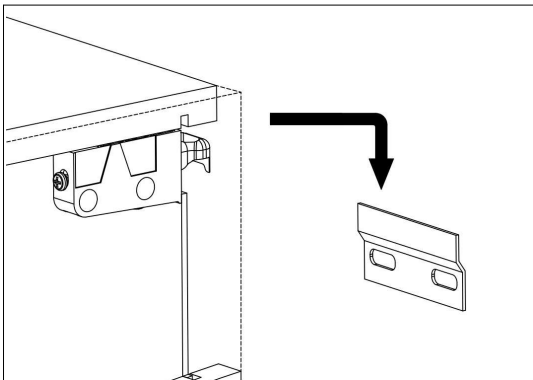
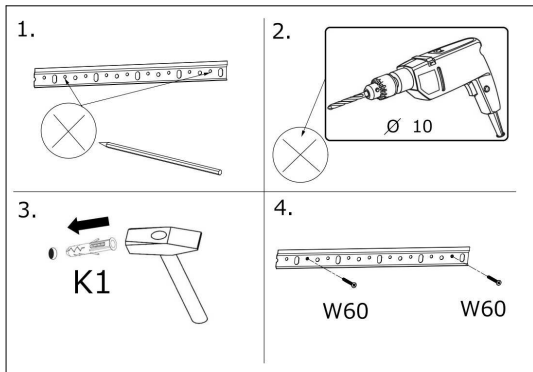
4.



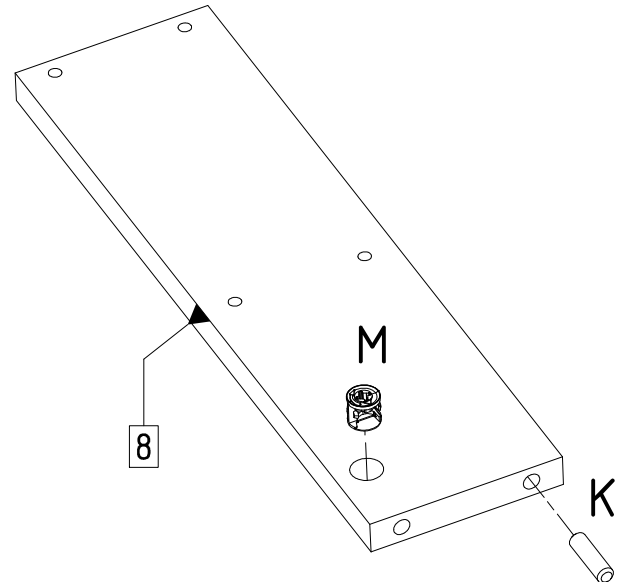
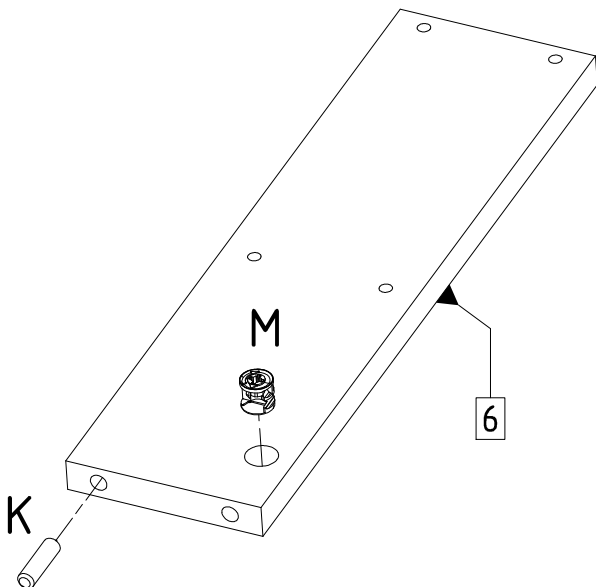
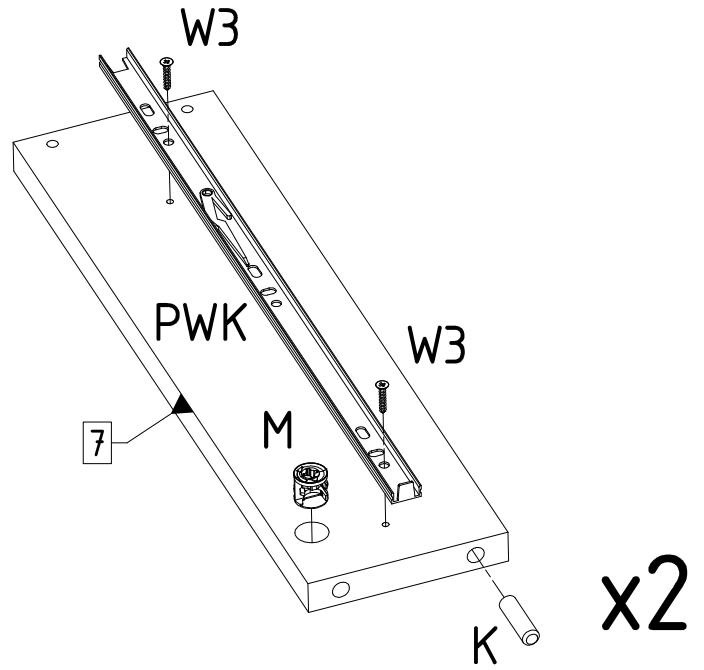
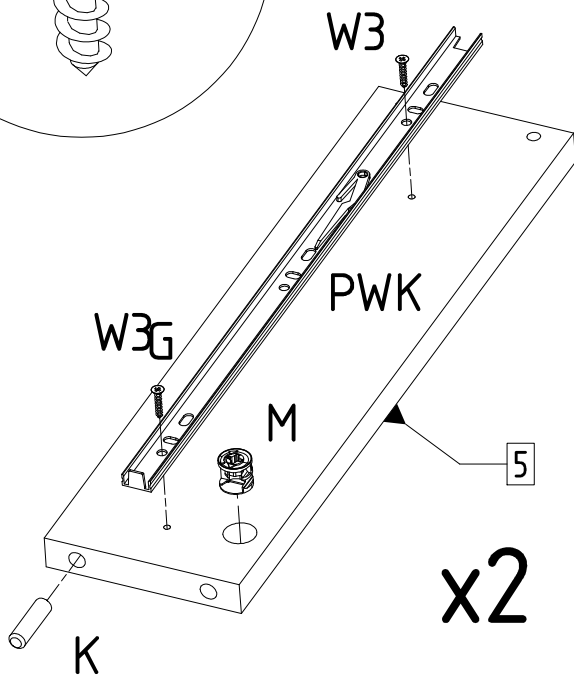
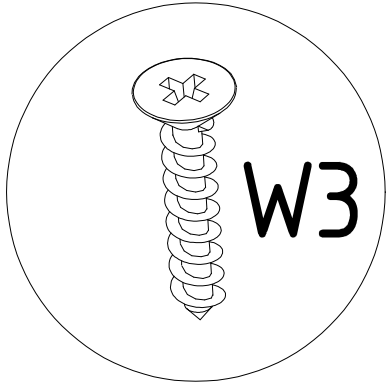
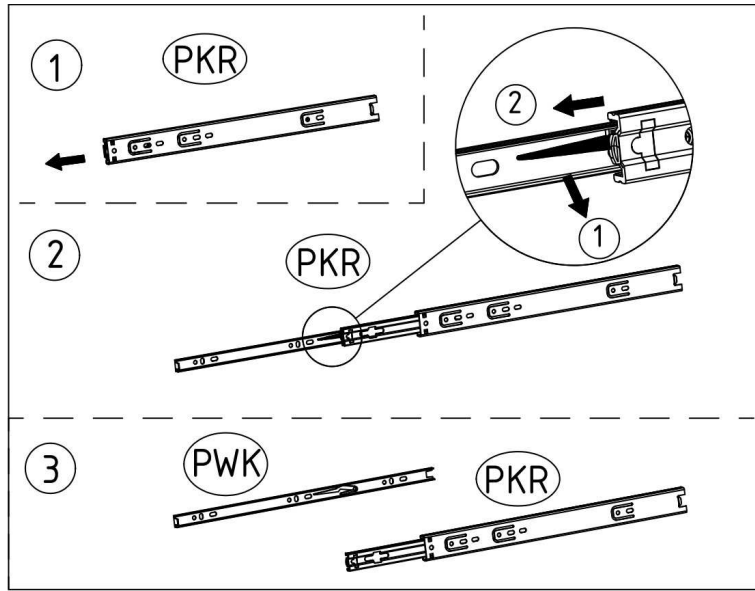
5.



6.

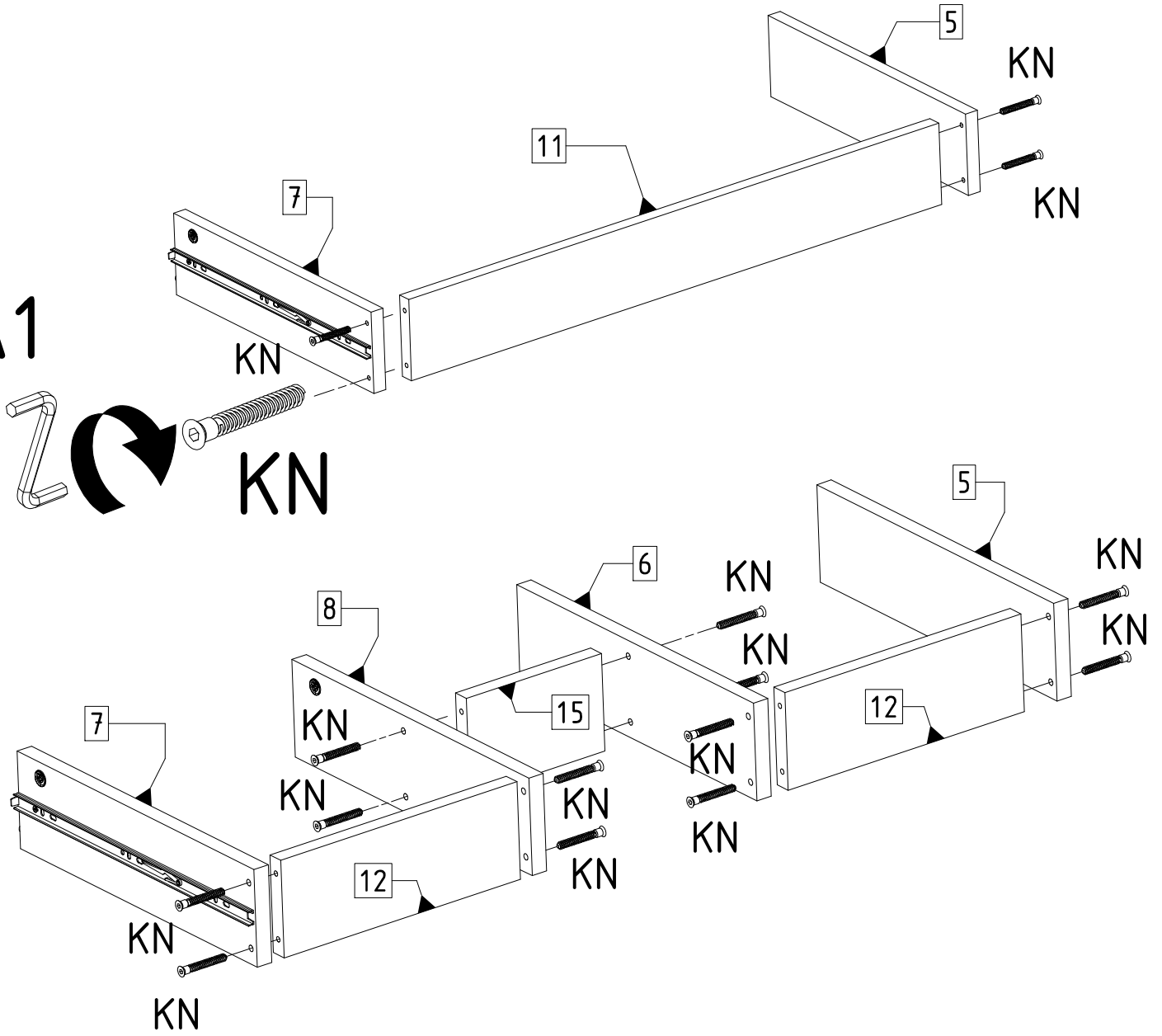


7.

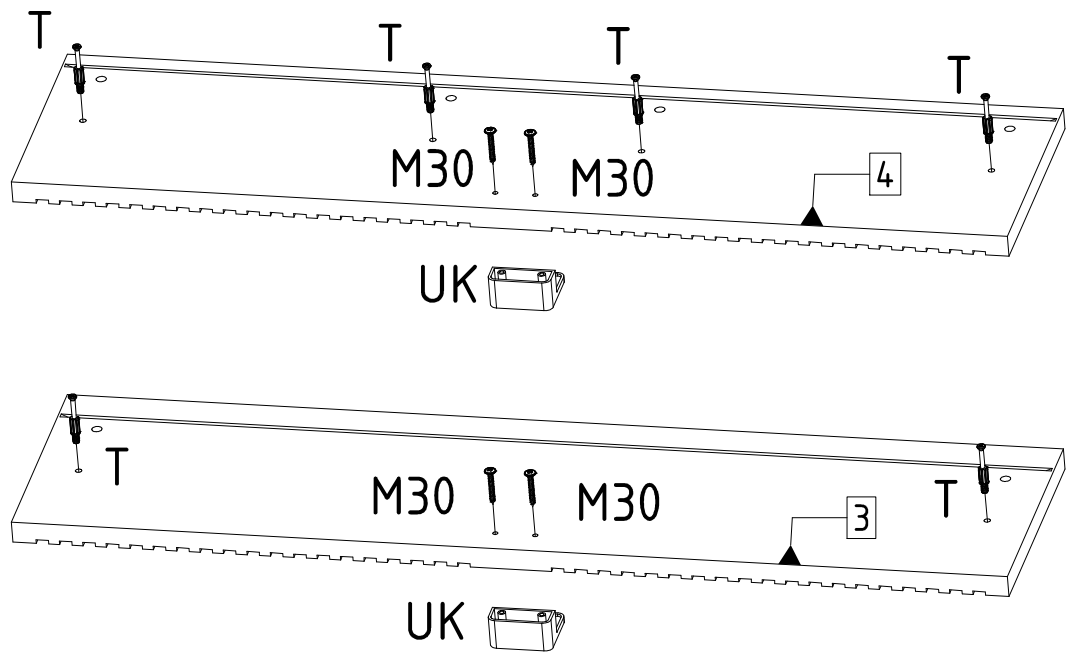
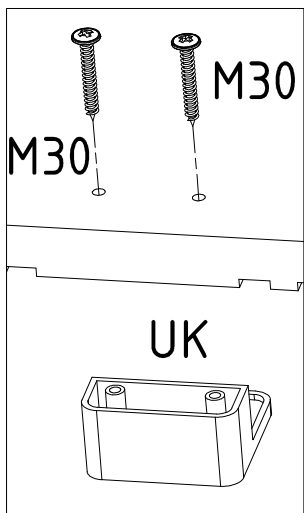


8.

A1

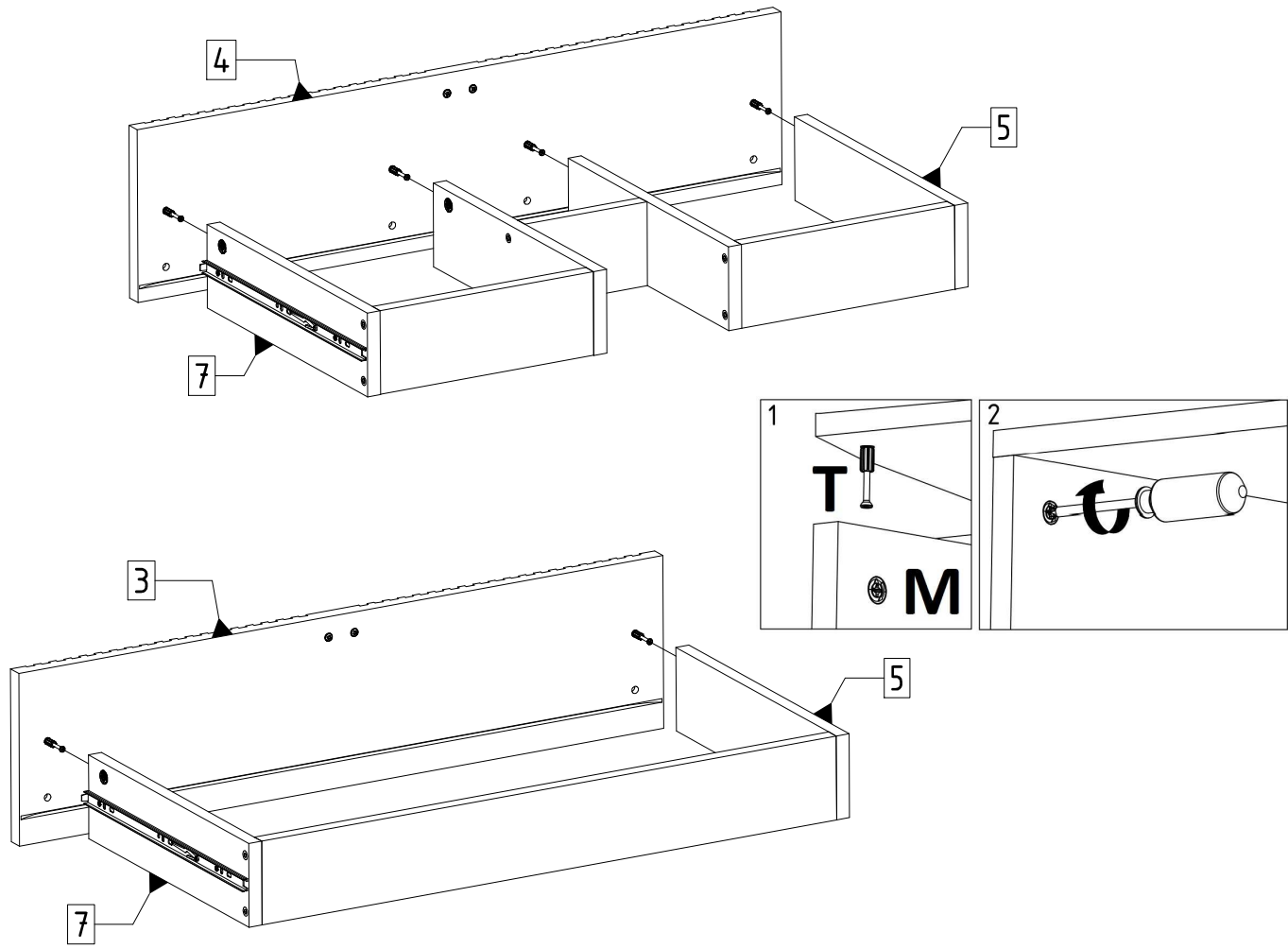


9.

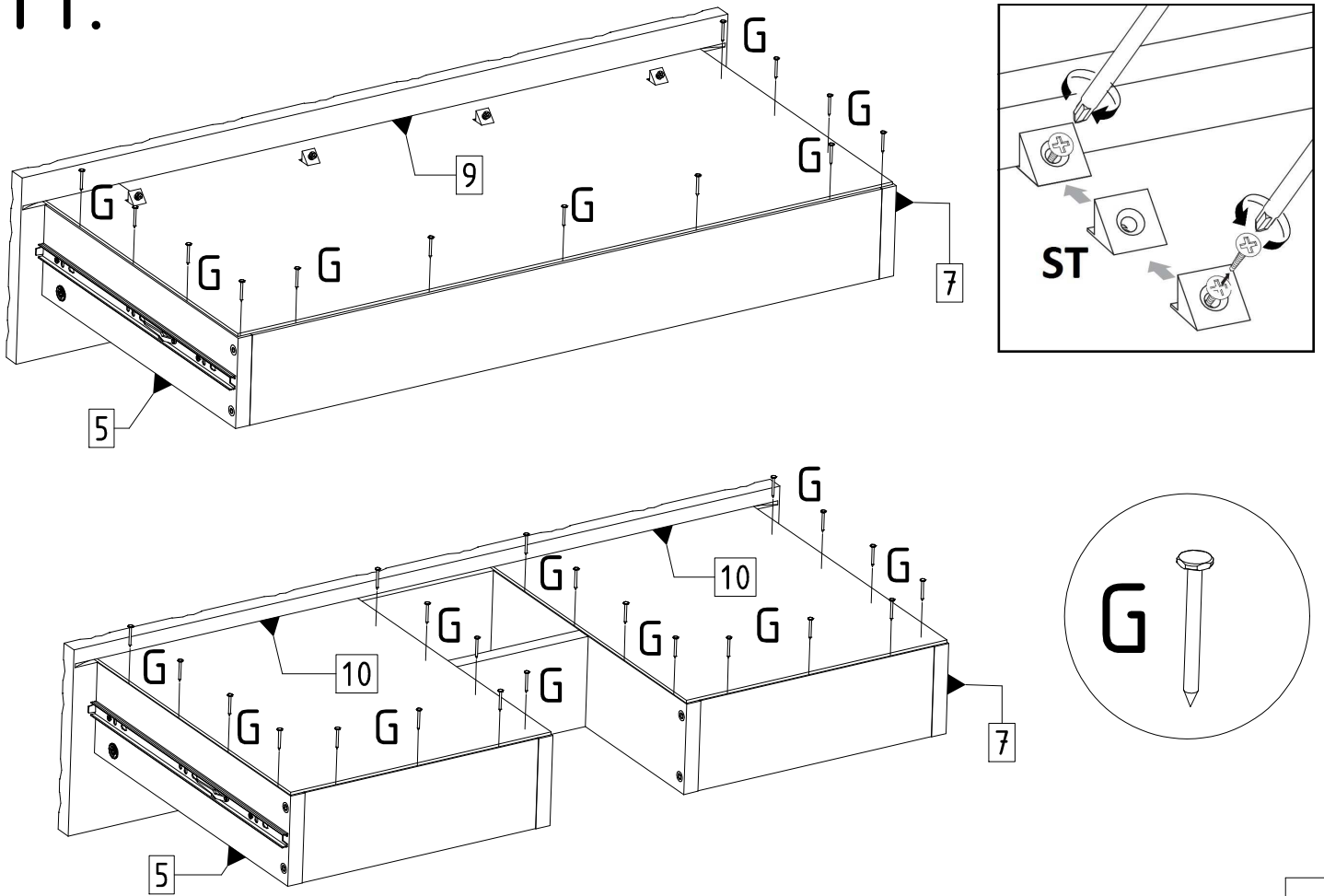




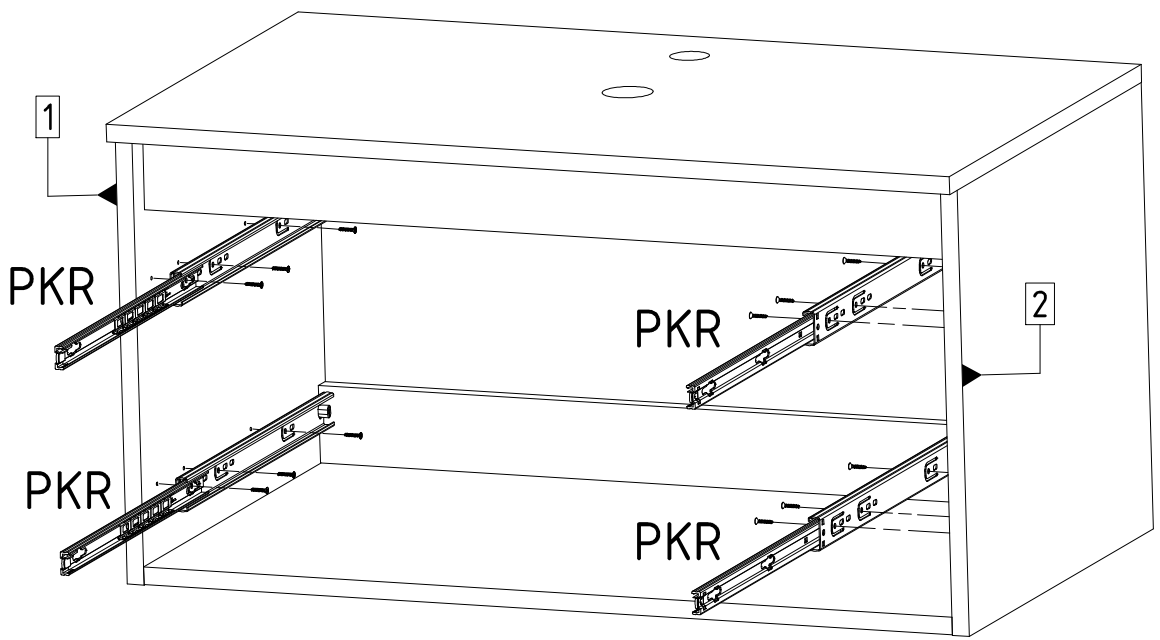
10.



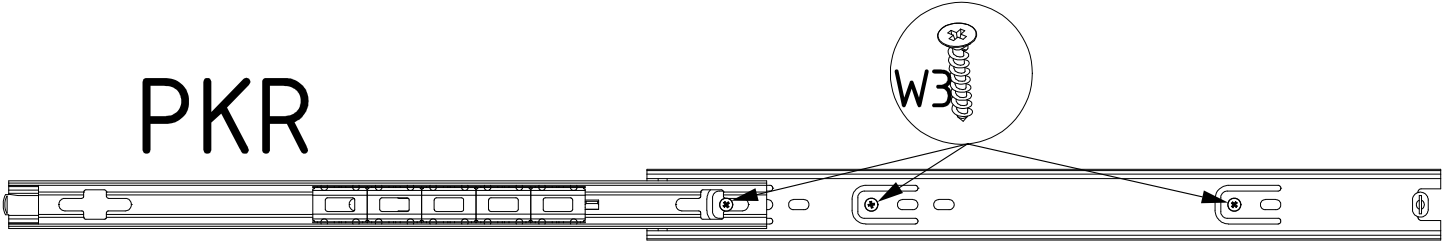
11.



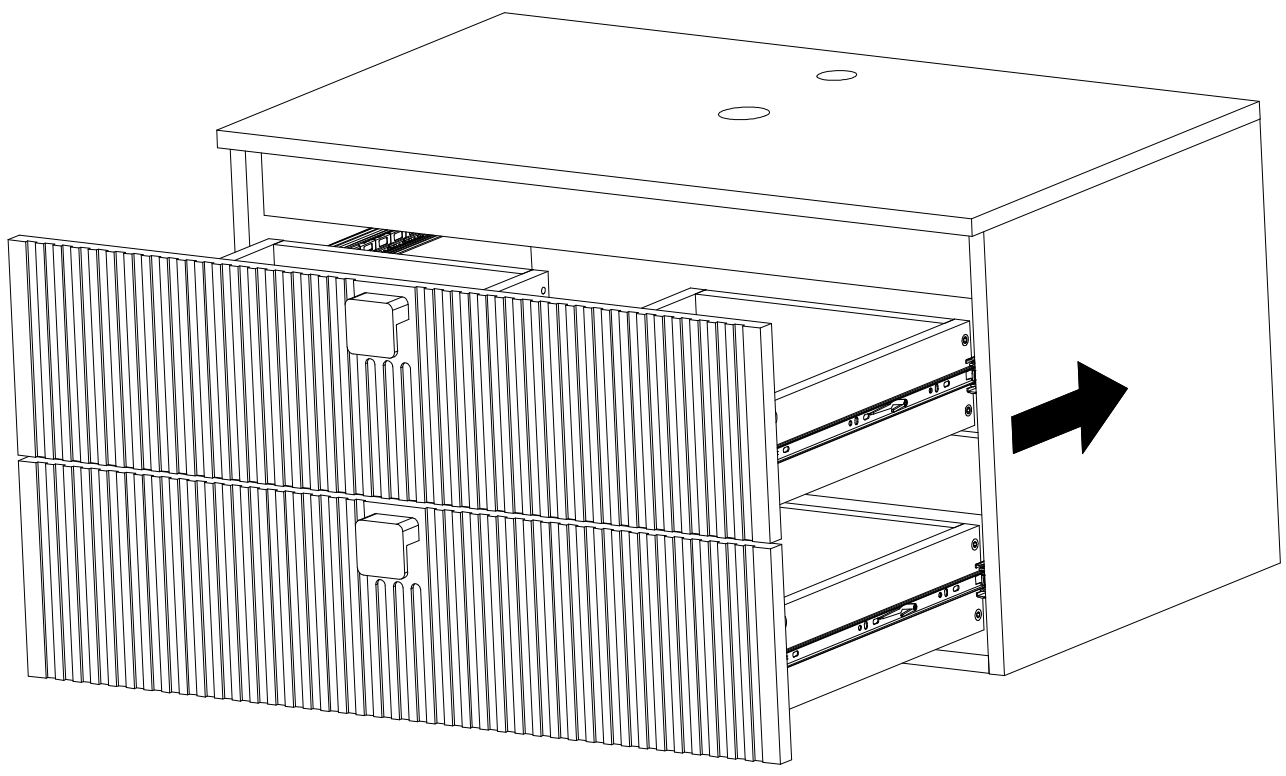
12.

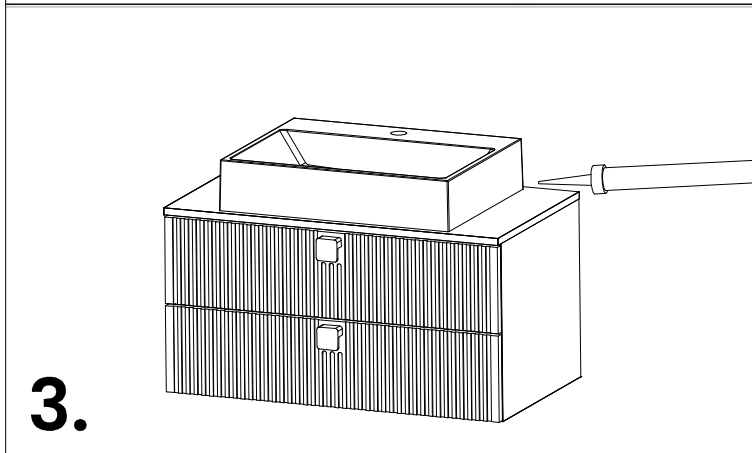
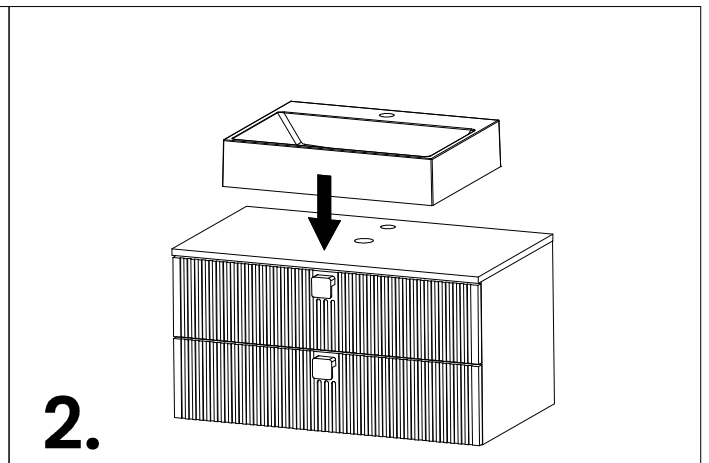
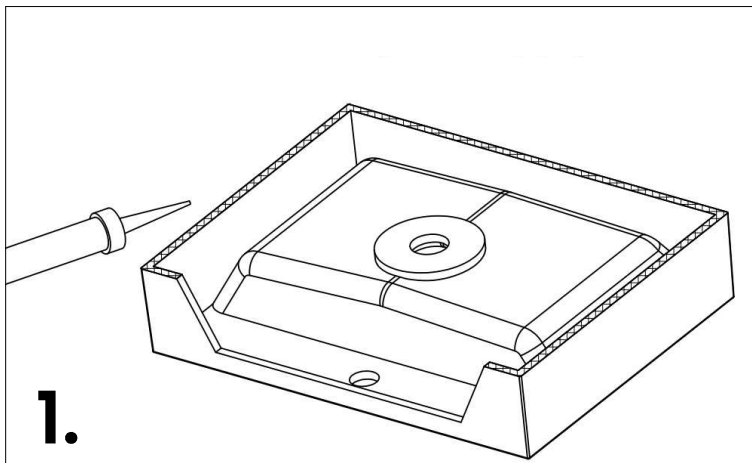


PKR

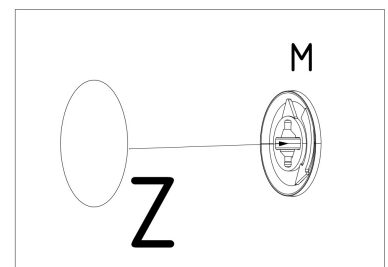
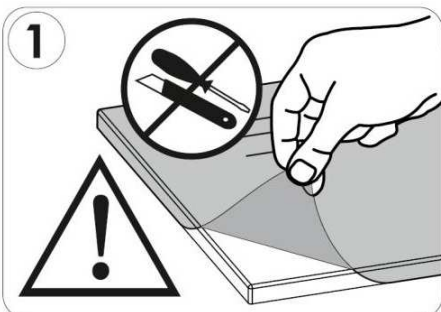
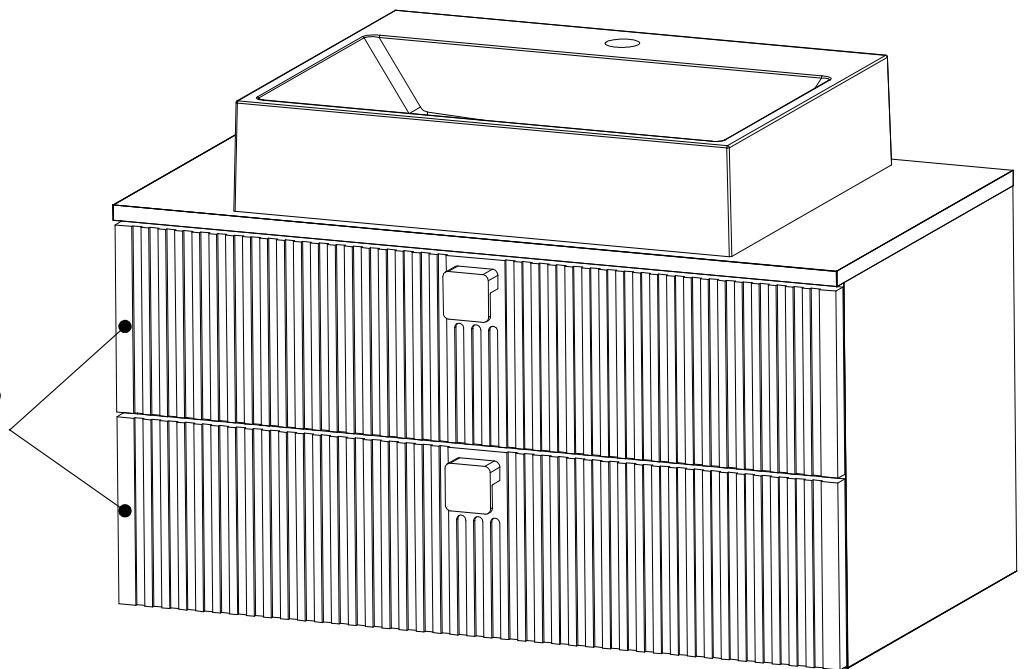


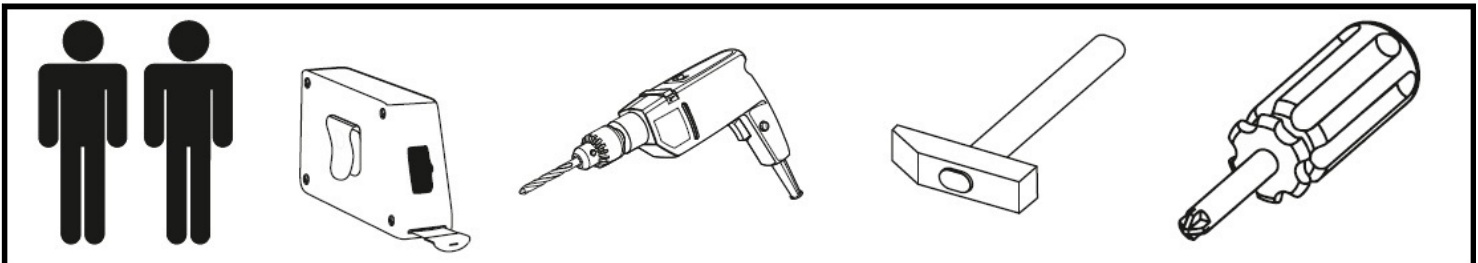
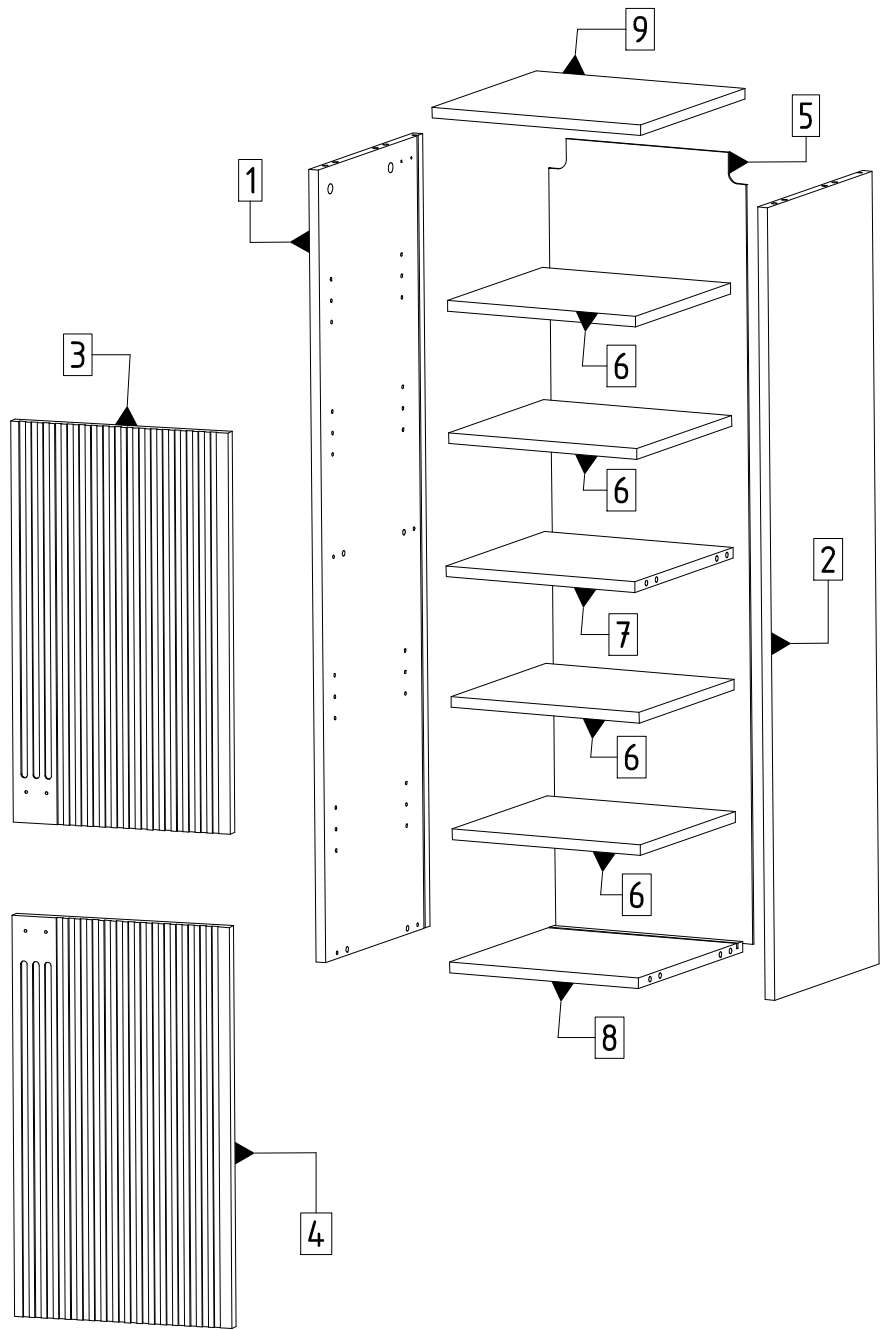
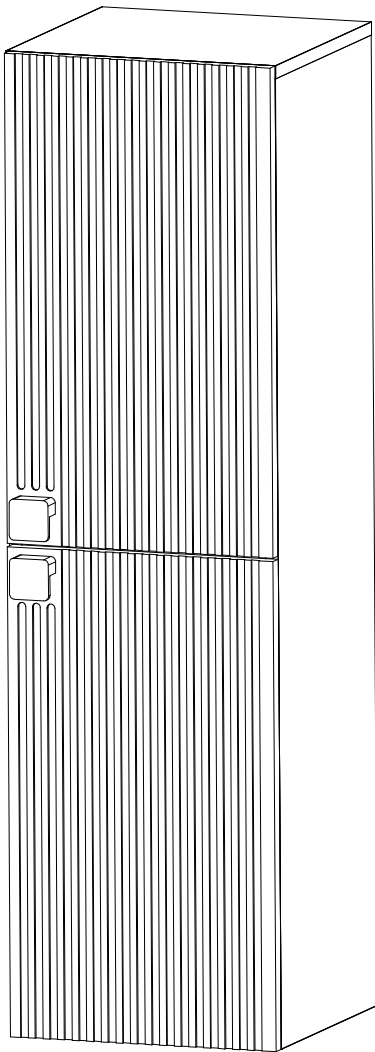
13.

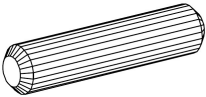

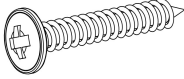
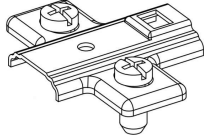
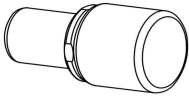
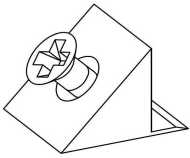
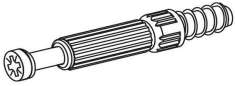
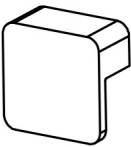
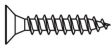
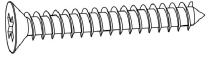
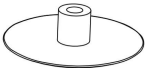
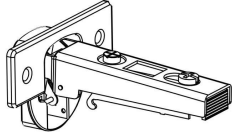
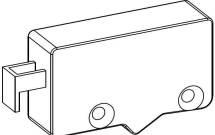




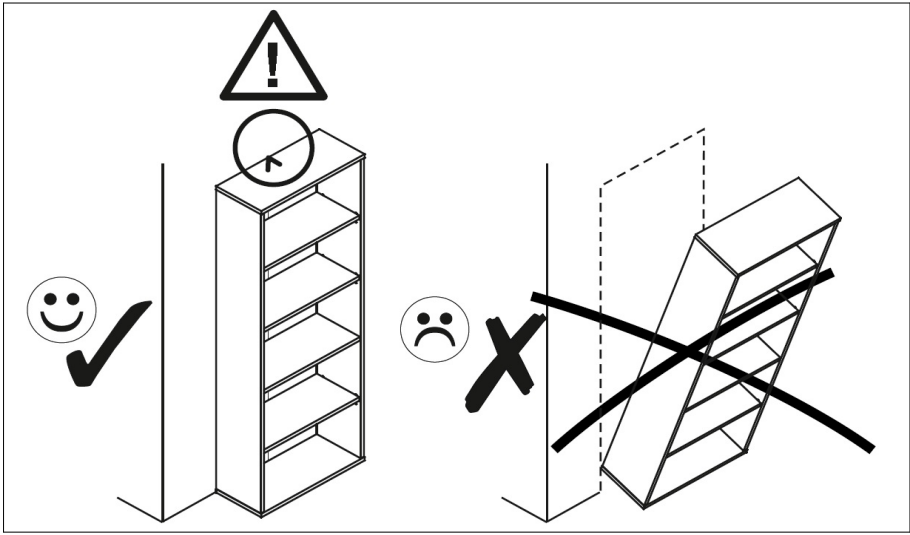
**max.  
6 kg**

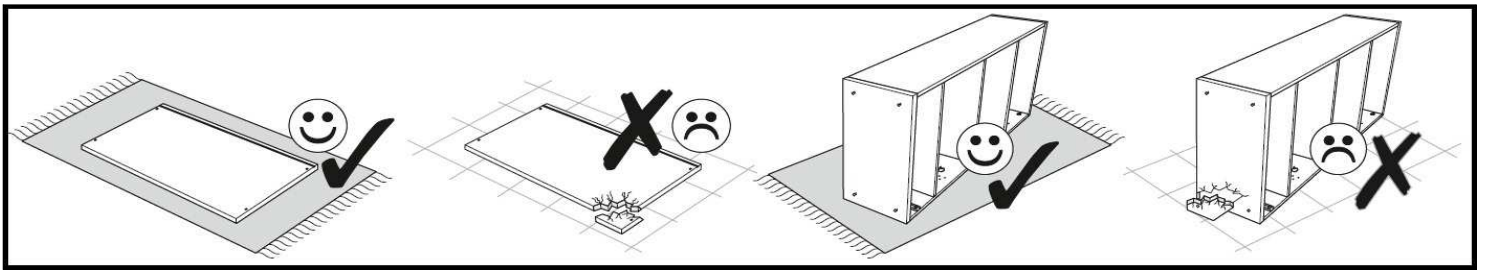




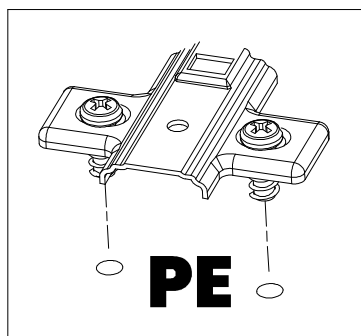
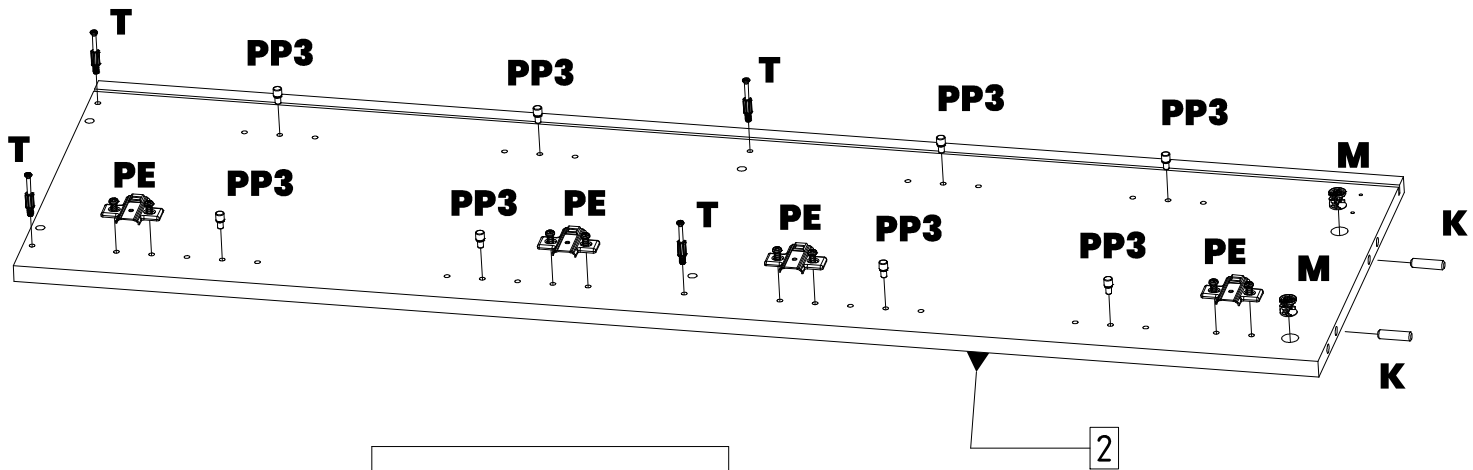
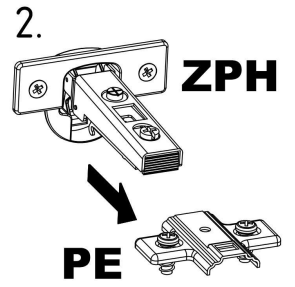
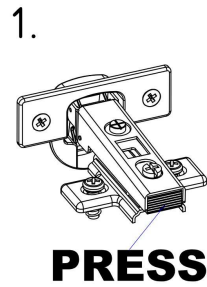
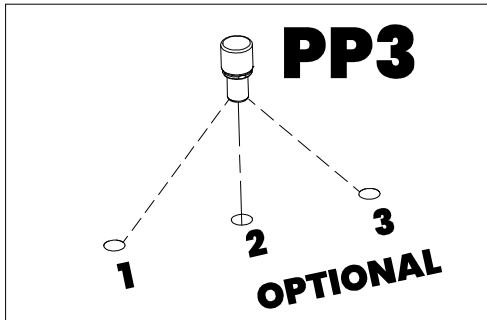
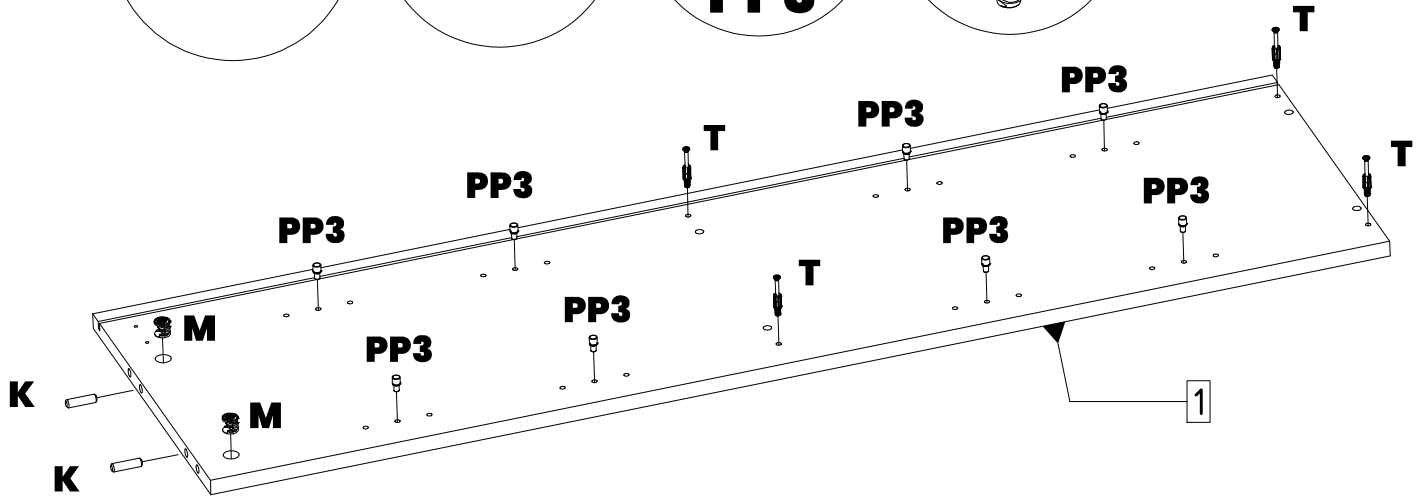
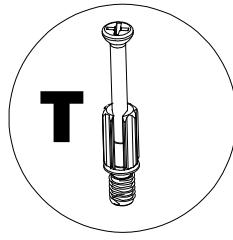
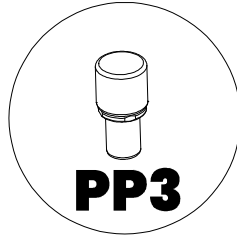
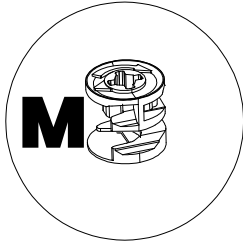
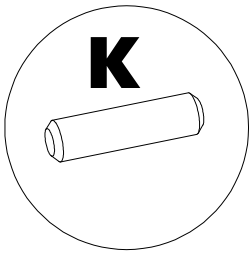
<p>8 x 30</p>  <p><b>K</b></p>	<p>15 x 12</p>  <p><b>M</b></p>	<p>4 x 30</p>  <p><b>M30</b></p>	 <p><b>PE</b></p>	 <p><b>PP3</b></p>
 <p><b>ST</b></p>	<p>6 x 34 mm</p>  <p><b>T</b></p>	 <p><b>UK</b></p>	<p>4 x 16</p>  <p><b>W16</b></p>	<p>4 x 30 mm</p>  <p><b>W29</b></p>
 <p><b>Z</b></p>	 <p><b>ZPH</b></p>	 <p><b>ZR</b></p>		

BL [1]	332	1184	1	K	12
BP [2]	332	1184	1	M	12
FT1 [3]	598	341	1	M30	4
FT2 [4]	598	341	1	PE	4
PC [5]	1181	327	1	PP3	16
PK [6]	312	302	4	ST	12
PP0 [7]	313	313	1	T	12
WD [8]	332	313	1	UK_50x50	2
WG [9]	346	332	1	W16	8
				W29	4
				Z	12
				ZPH	4
				ZR	2

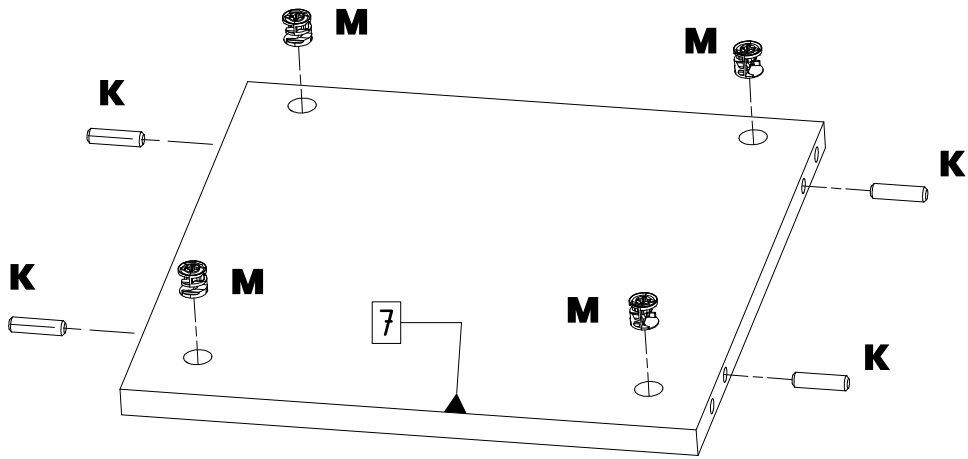
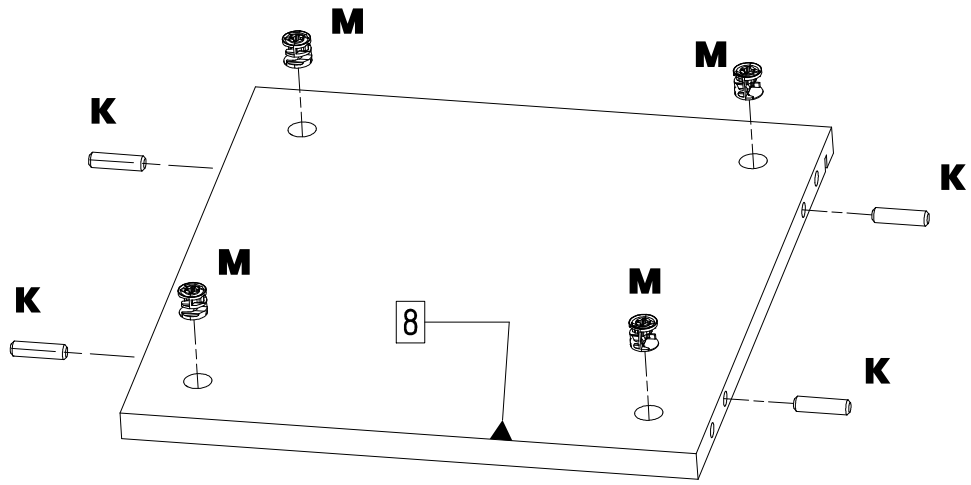




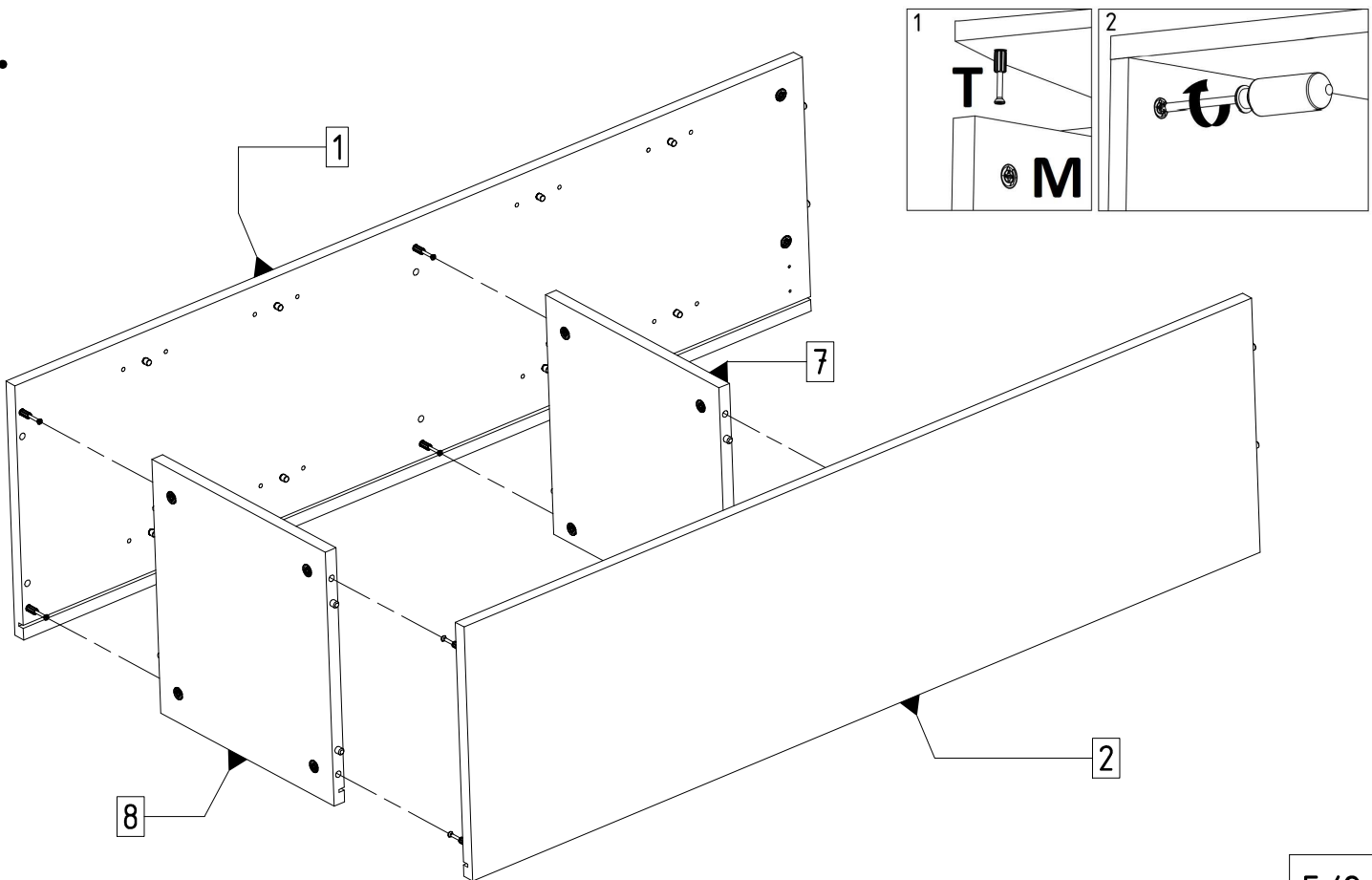
1.



2.

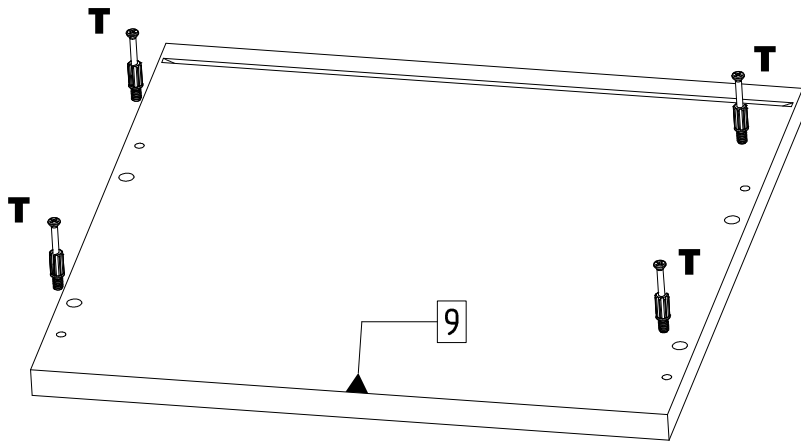


3.

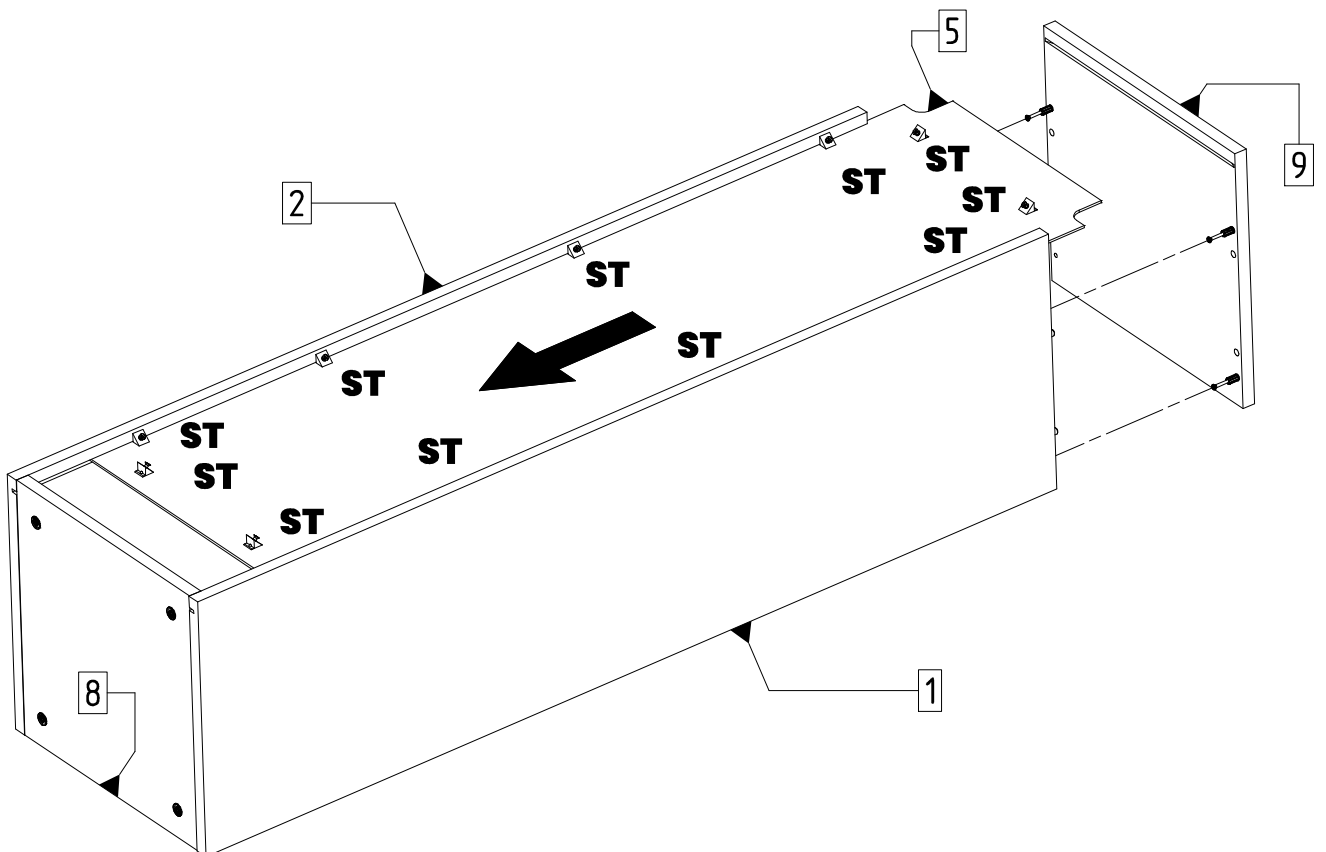
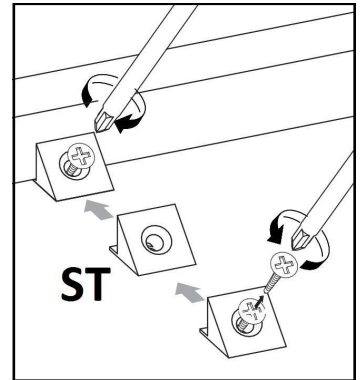
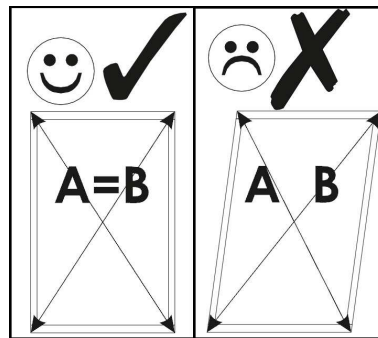
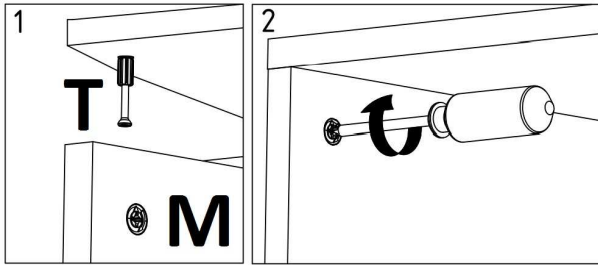




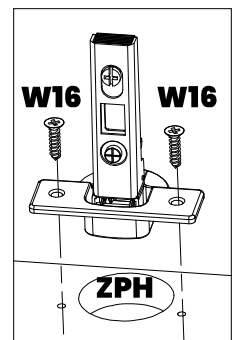
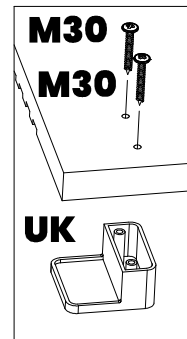
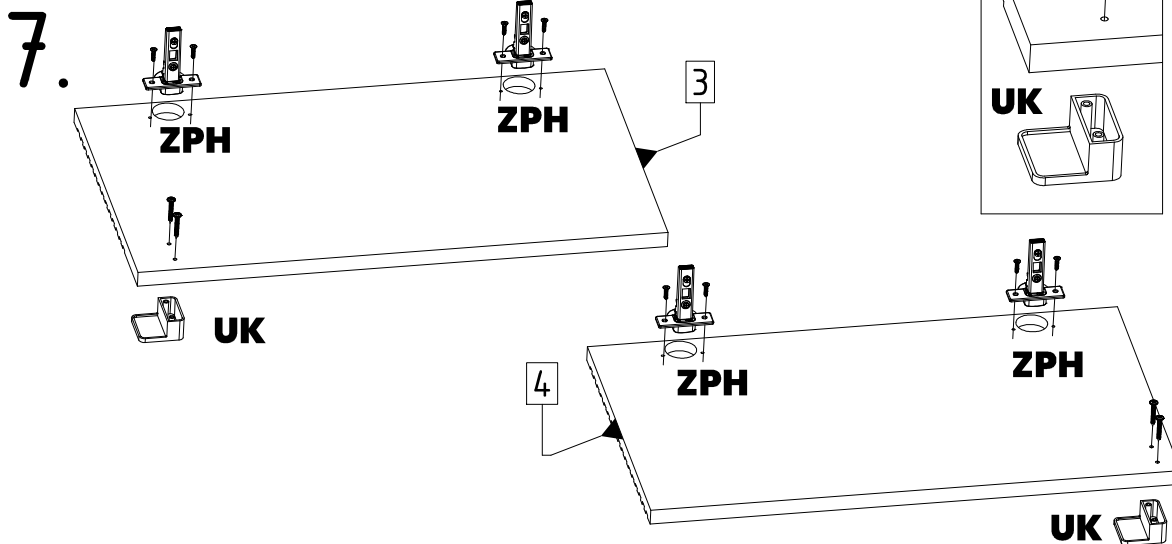
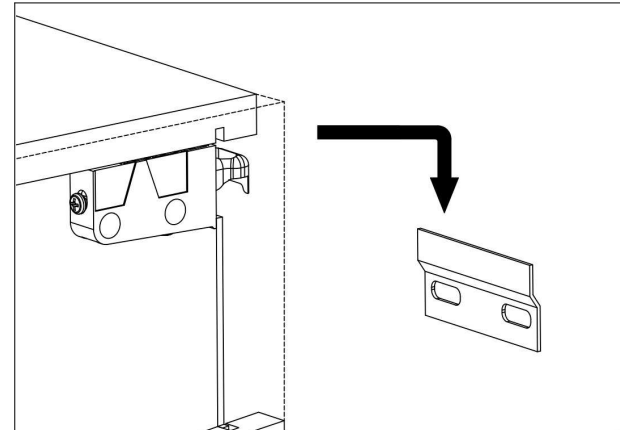
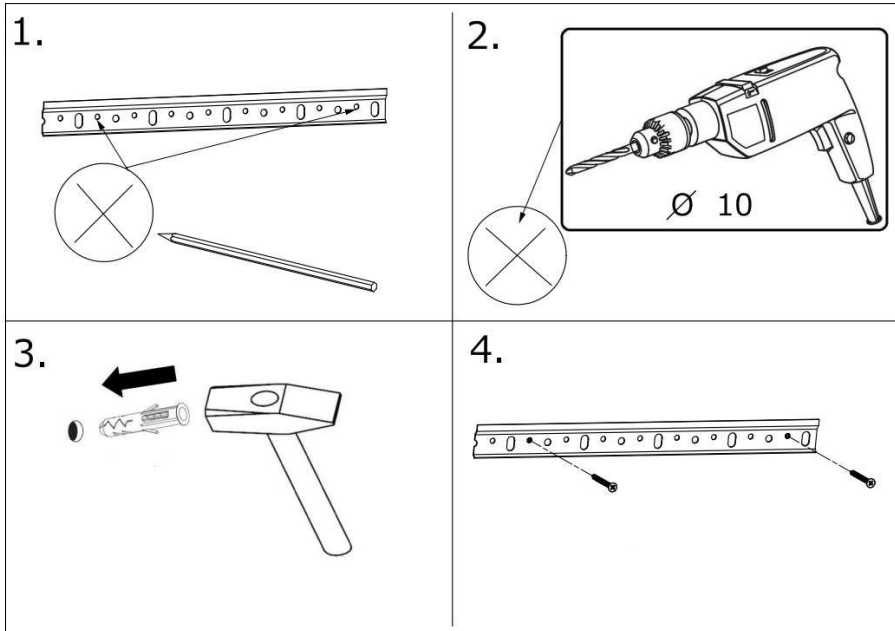
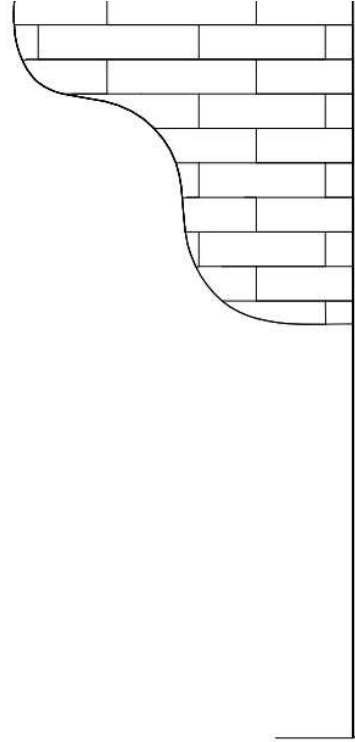
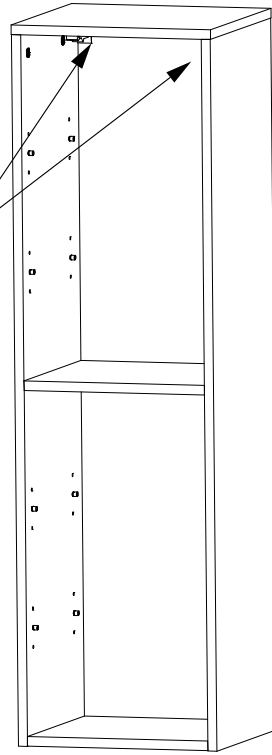
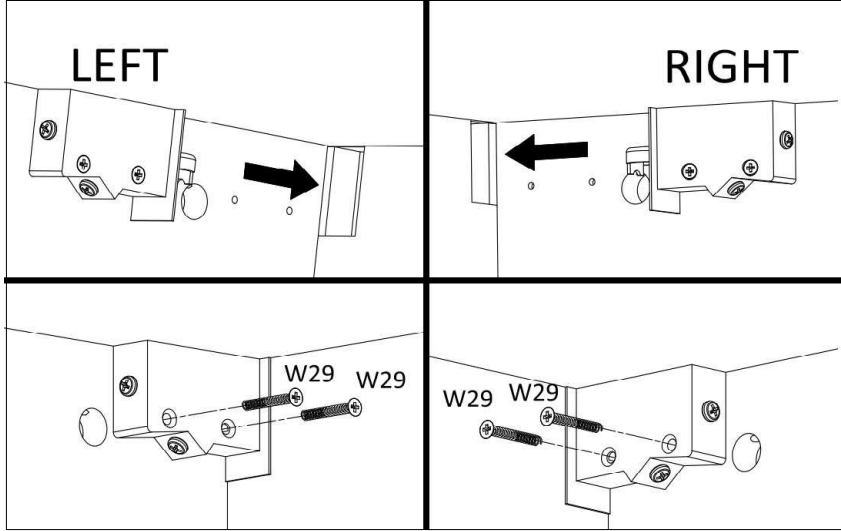
4.



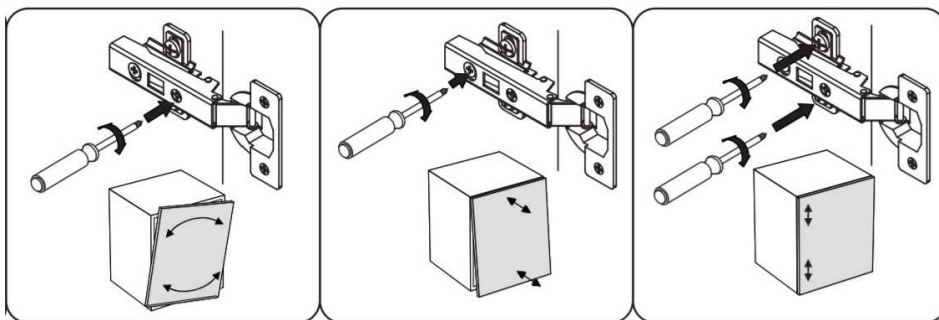
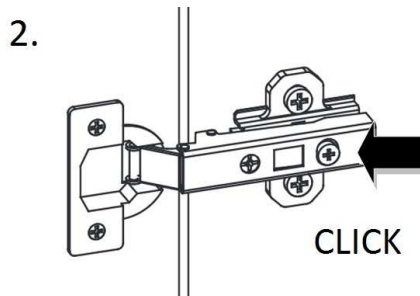
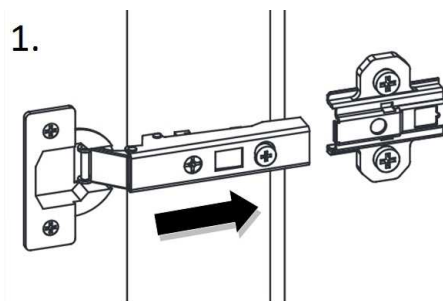
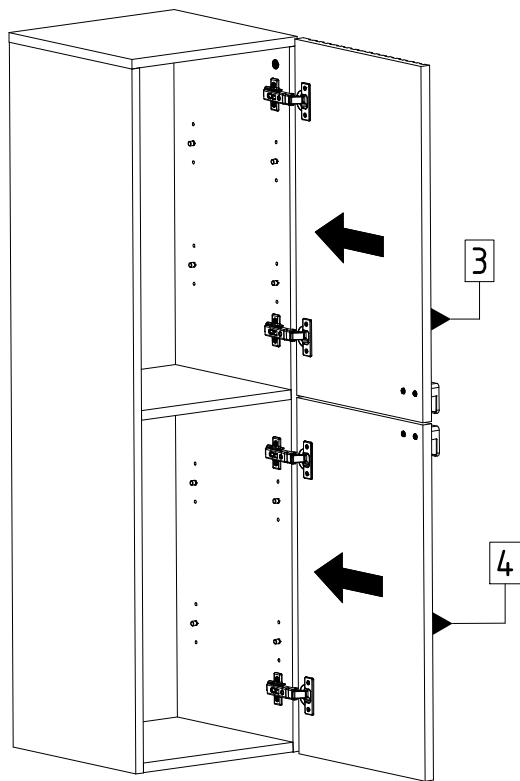
5.



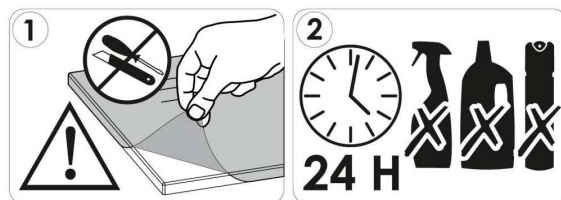
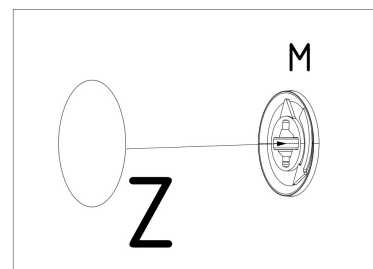
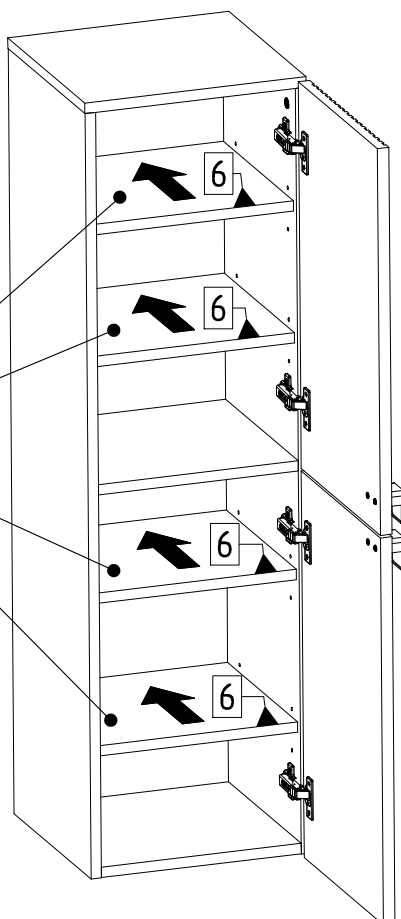
6.

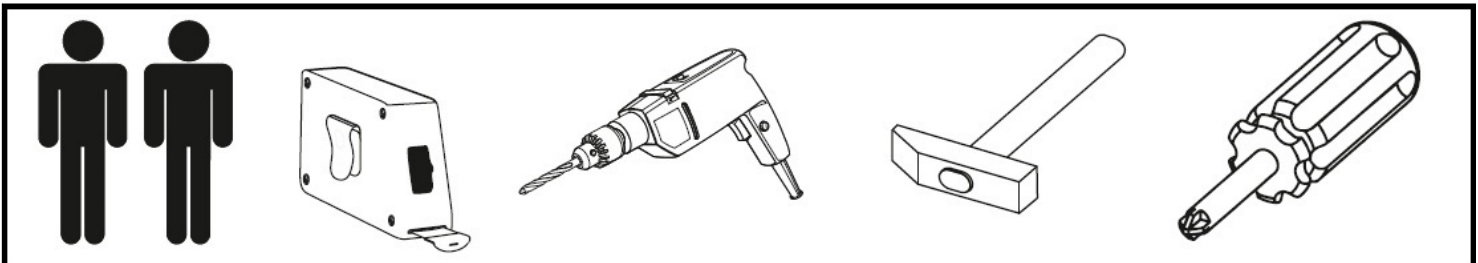
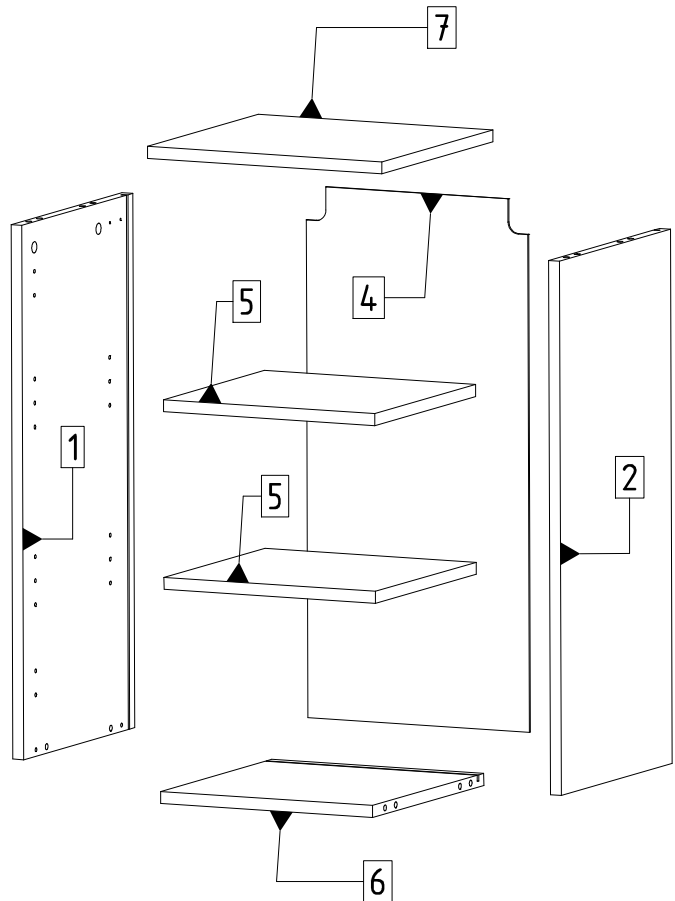
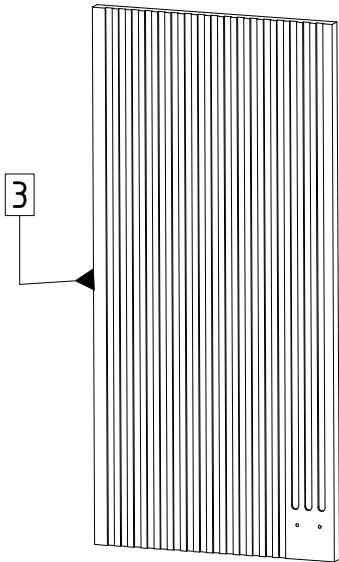
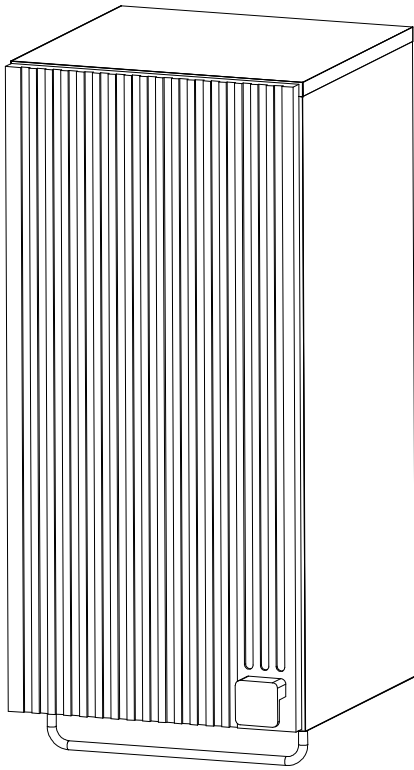


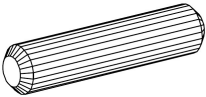

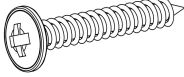
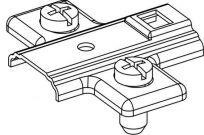
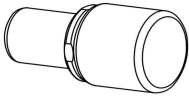
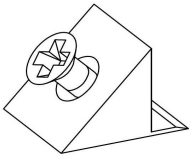
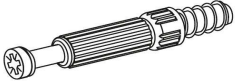
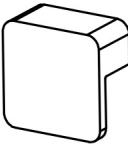

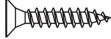
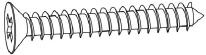

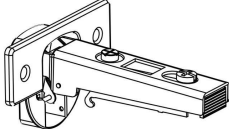
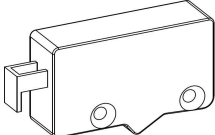
8.



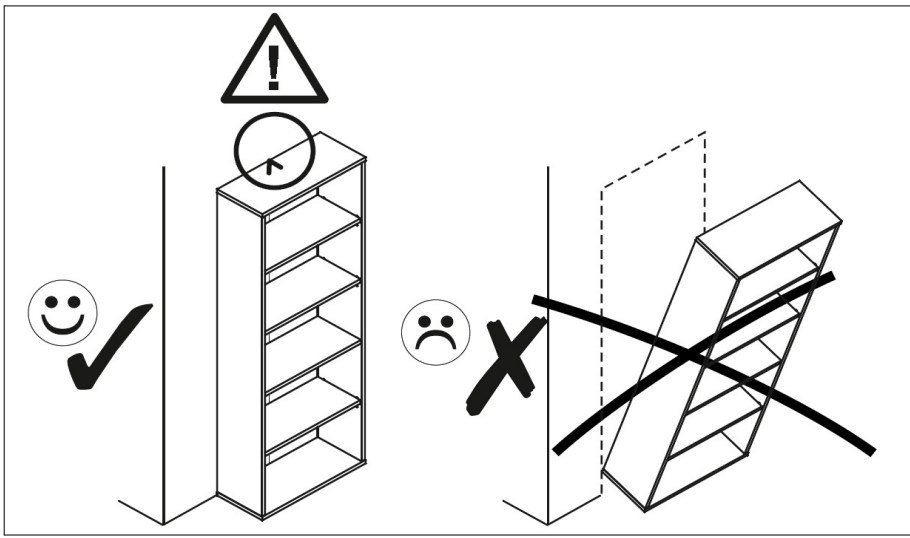
max.  
6 kg

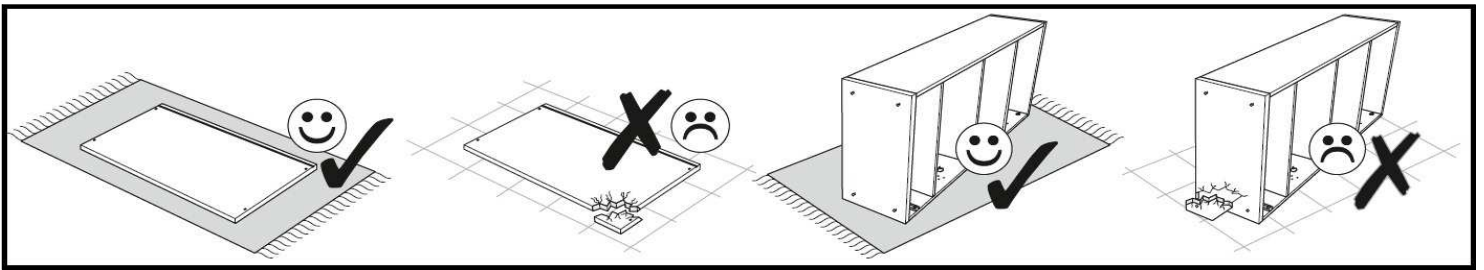




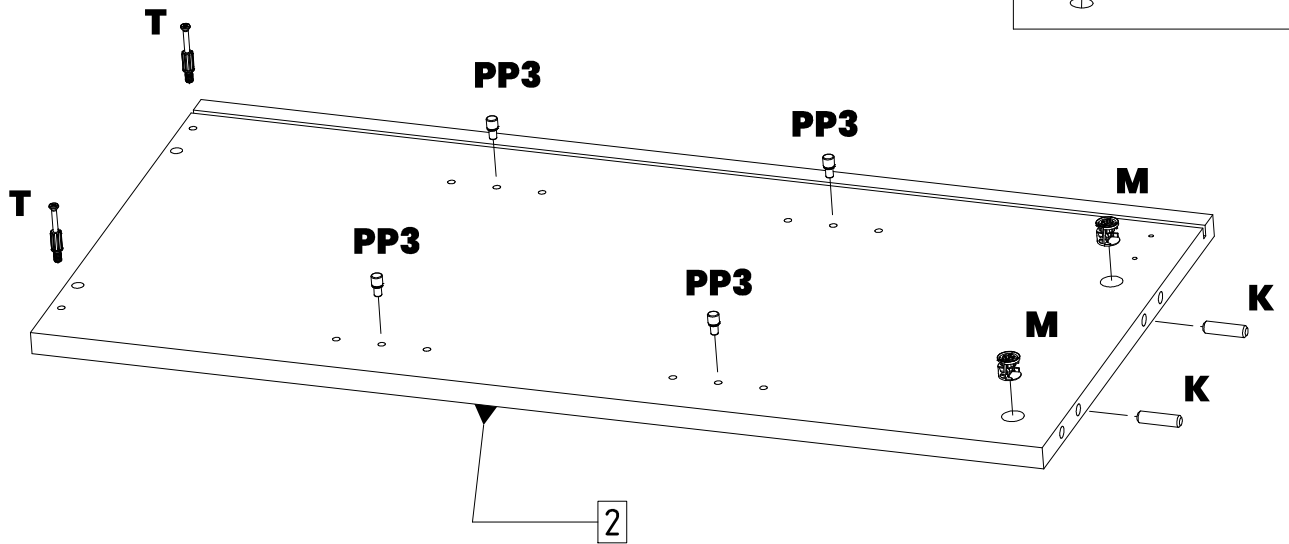
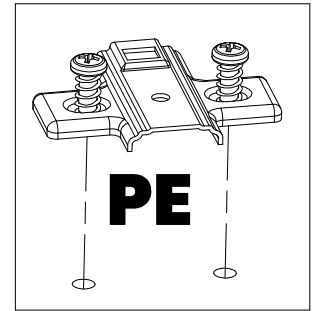
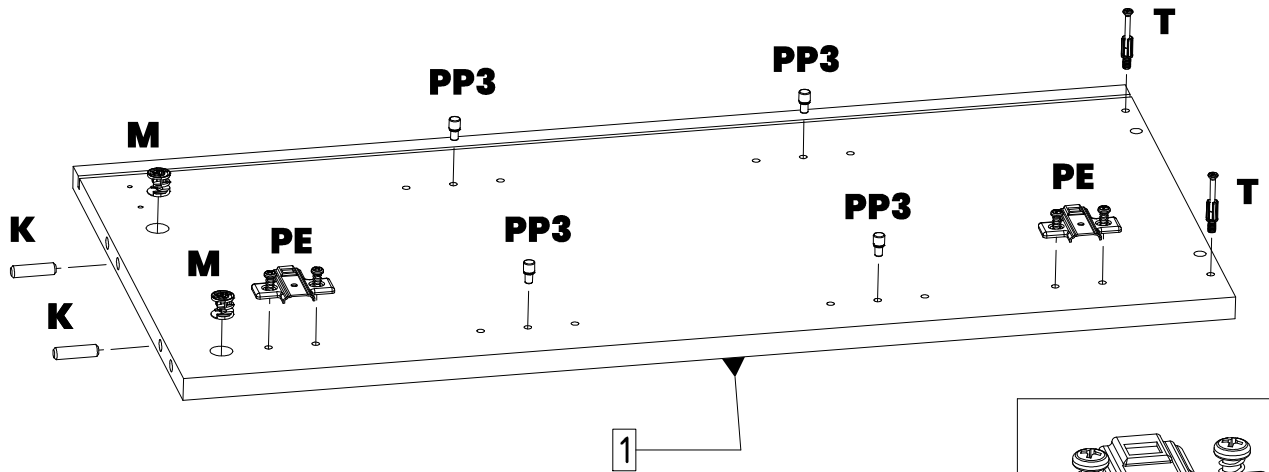
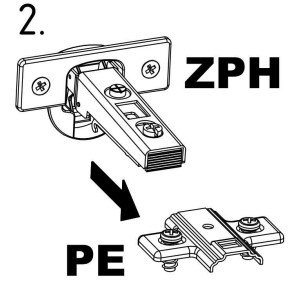
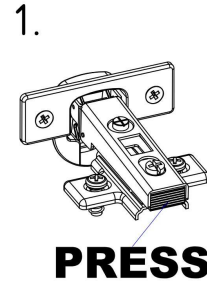
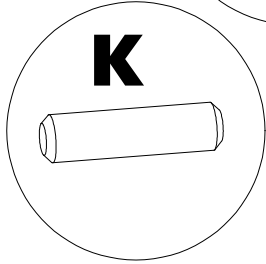
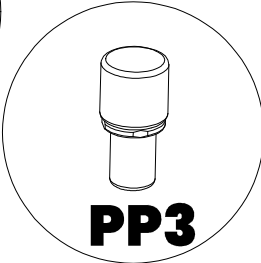
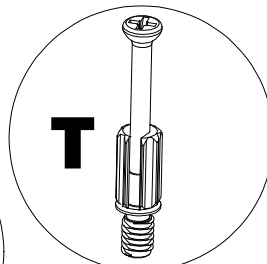
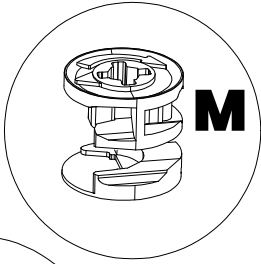
8 x 30  <b>K</b>	15 x 12  <b>M</b>	4 x 30  <b>M30</b>	 <b>PE</b>	 <b>PP3</b>
 <b>ST</b>	6 x 34 mm  <b>T</b>	 <b>UK</b>	 <b>UNR</b>	4 x 16  <b>W16</b>
4 x 30 mm  <b>W29</b>	 <b>Z</b>	 <b>ZPH</b>	 <b>ZR</b>	

BL [1]	332	714	1	K	8
BP [2]	332	714	1	M	8
FT [3]	341	725	1	M30	2
PC [4]	711	327	1	PE	2
PK [5]	312	302	2	PP3	8
WD [6]	332	313	1	ST	10
WG [7]	346	332	1	T	8
				UK_50x50	1
				UNR	1
				W16	8
				W29	4
				Z	8
				ZPH	2
				ZR	2

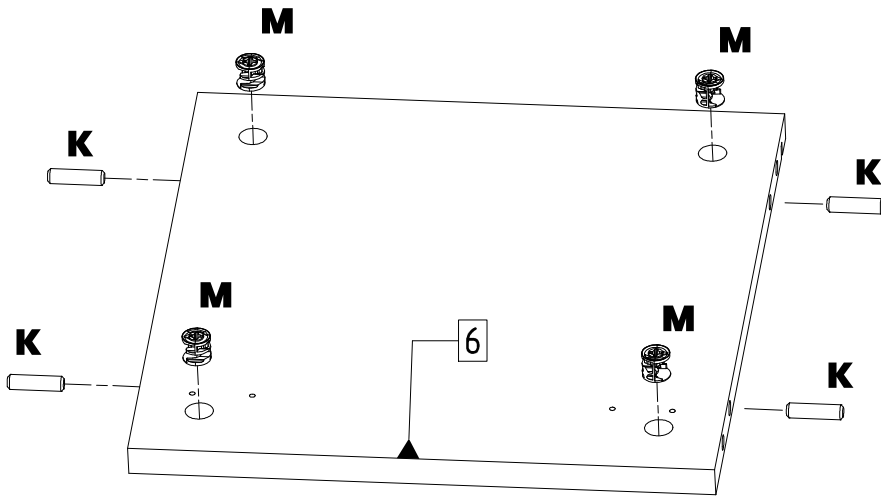




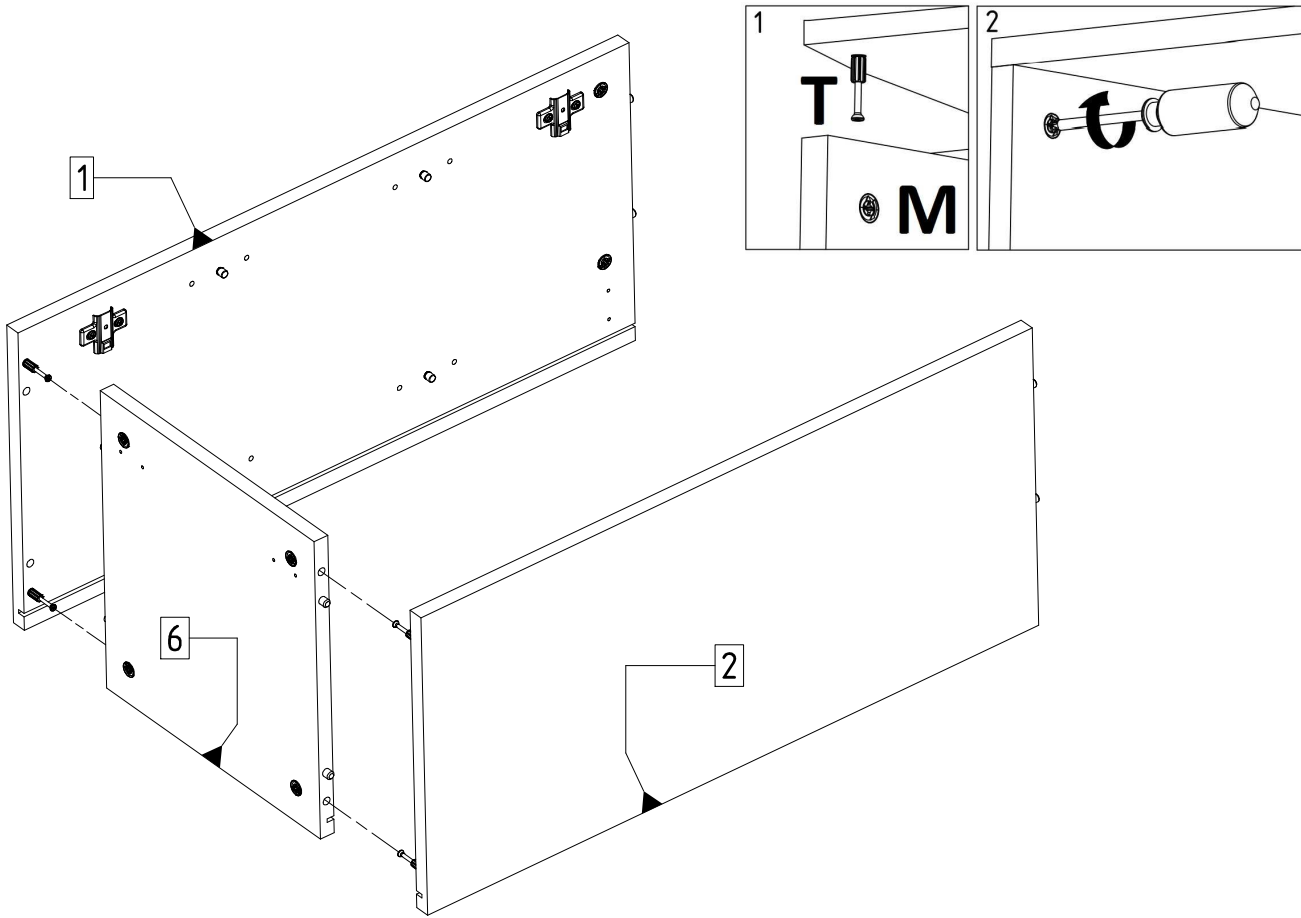
1.



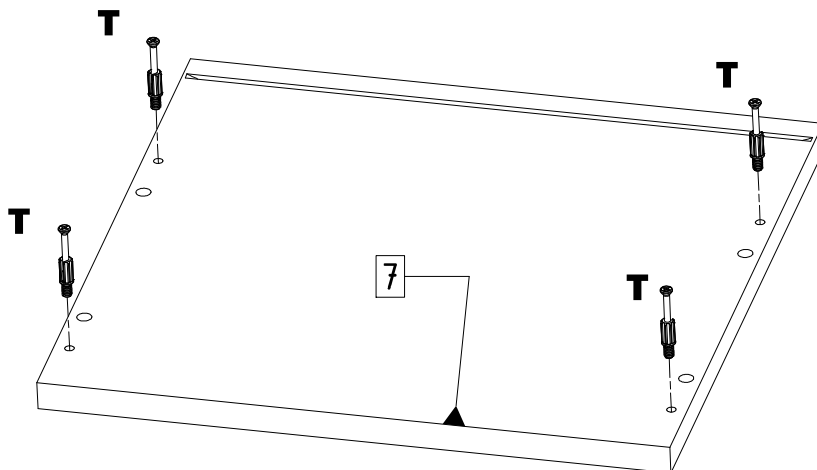
2.



3.

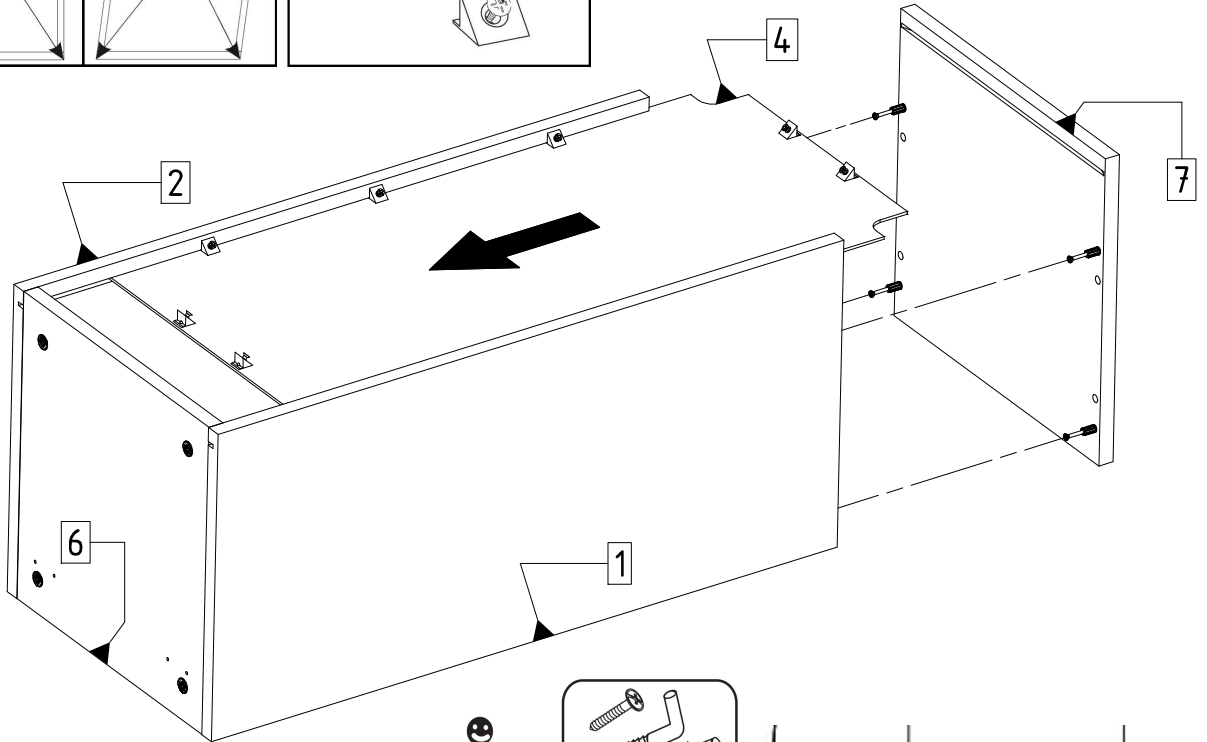
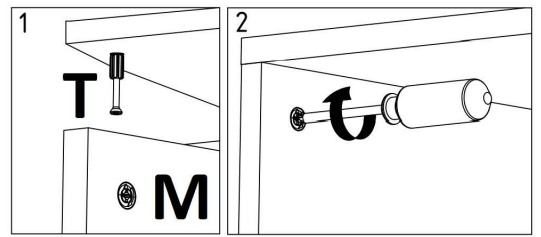
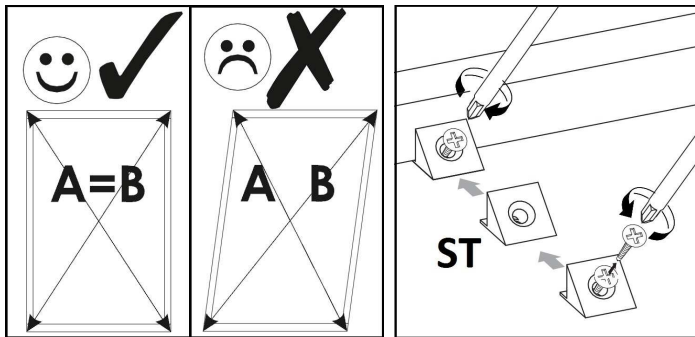


4.

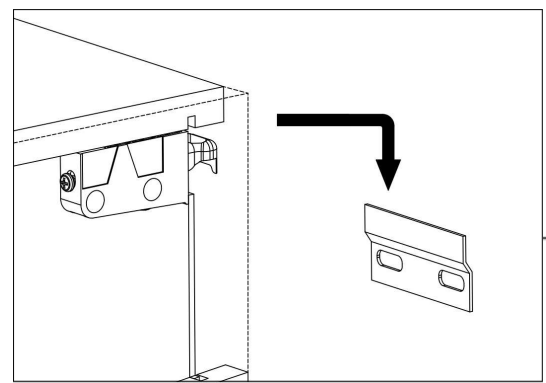
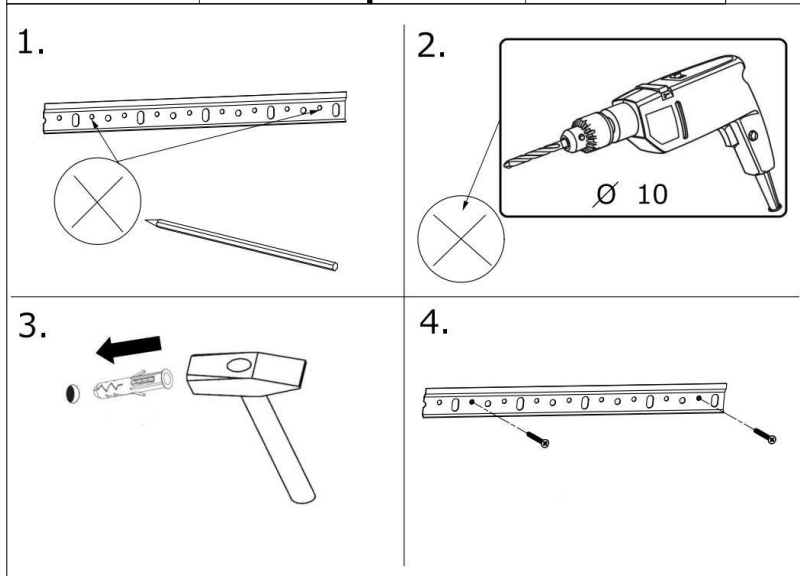
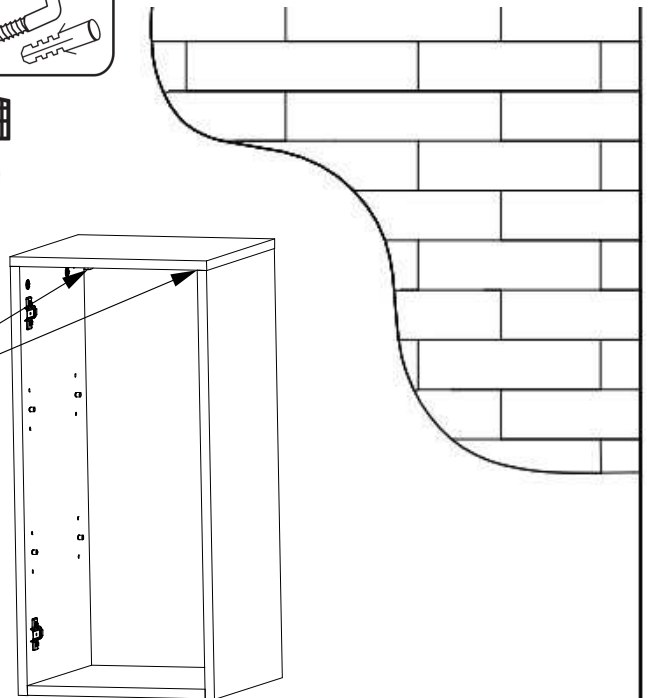
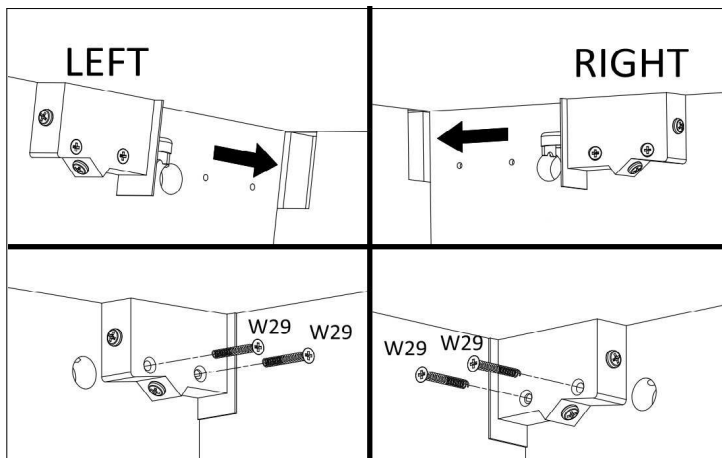




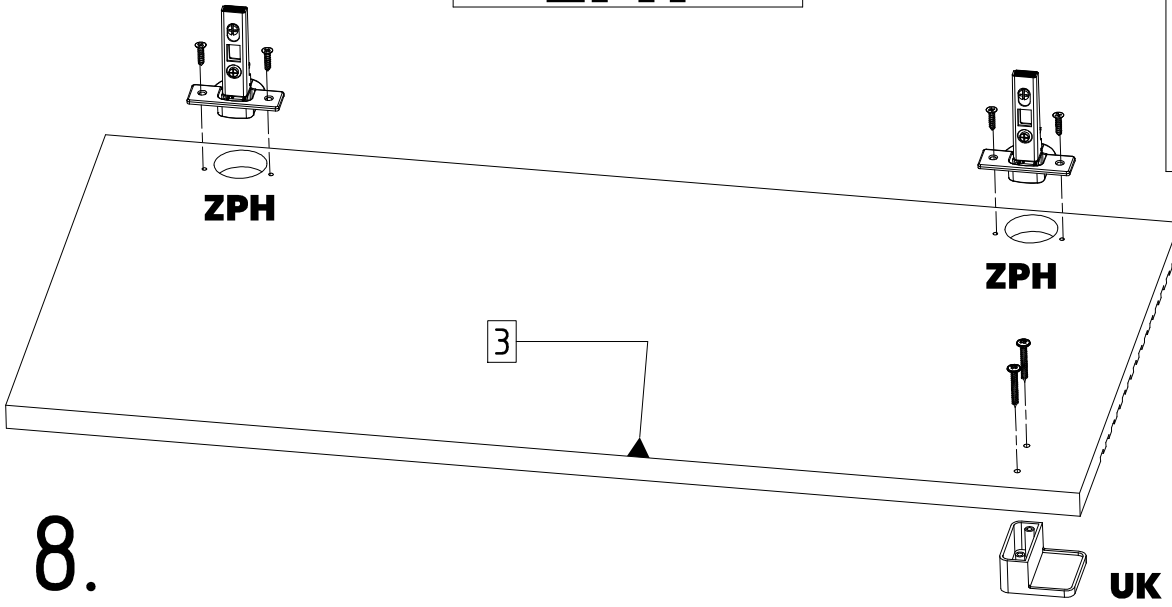
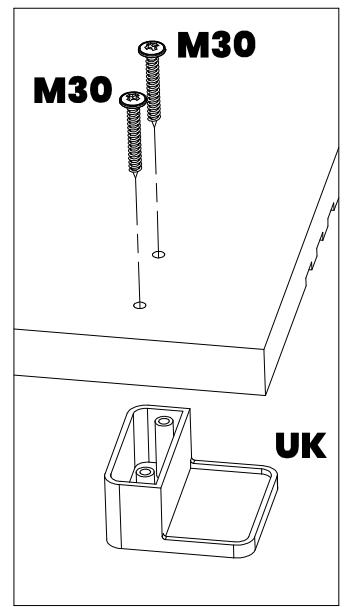
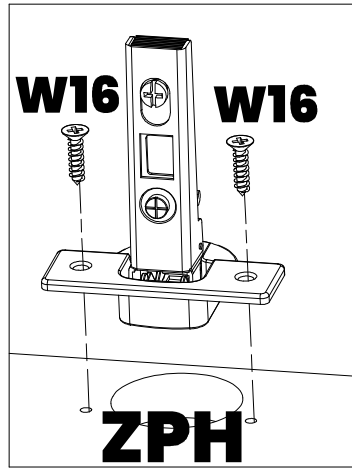
5.



6.



7.



8.

