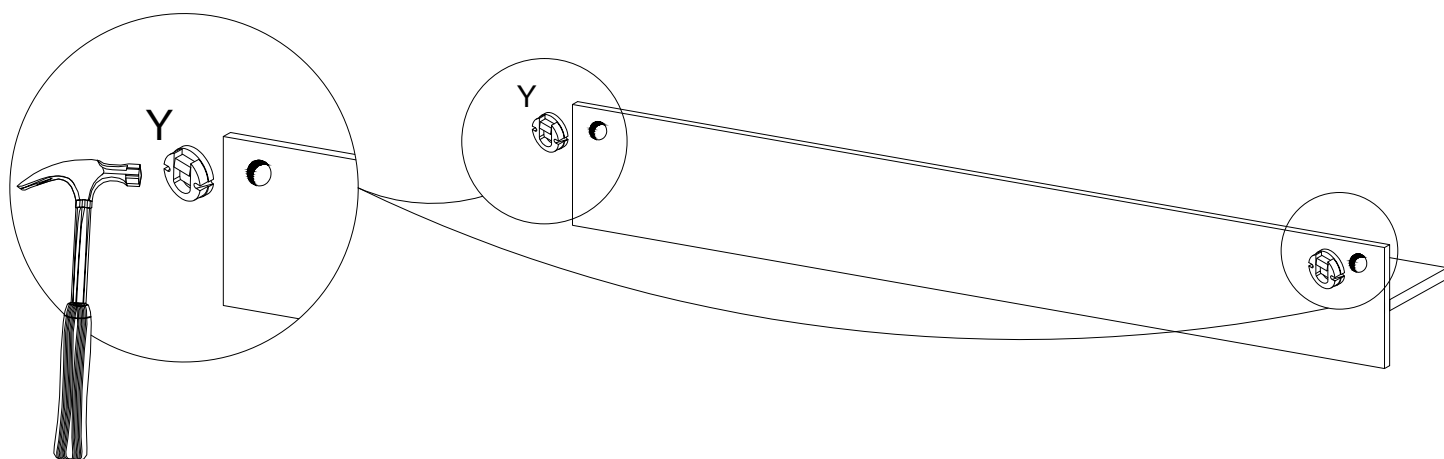
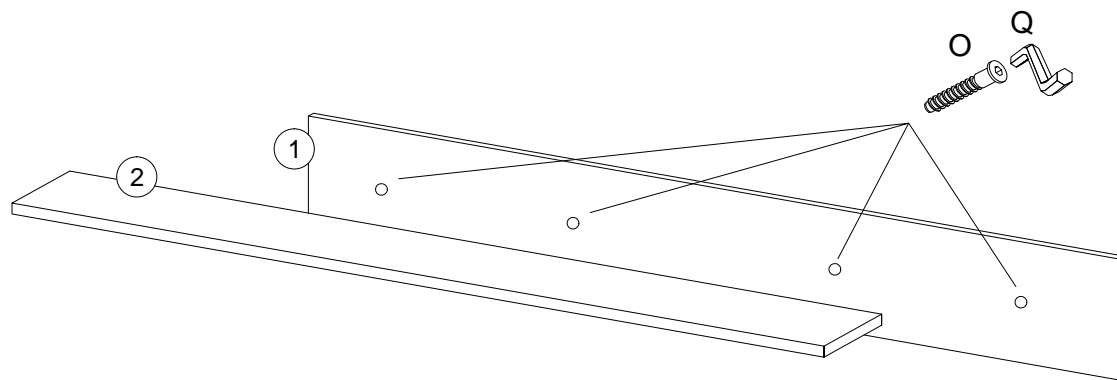
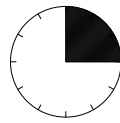
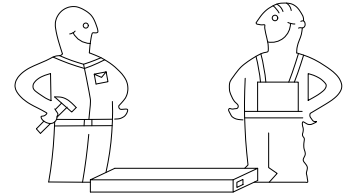
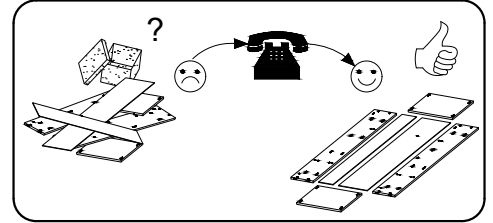
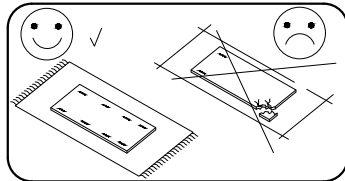
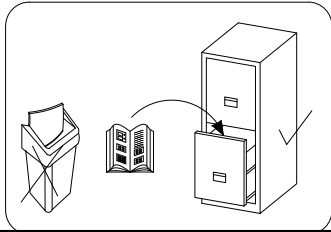
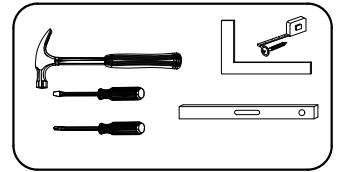

O	Q	Y
4	1	2







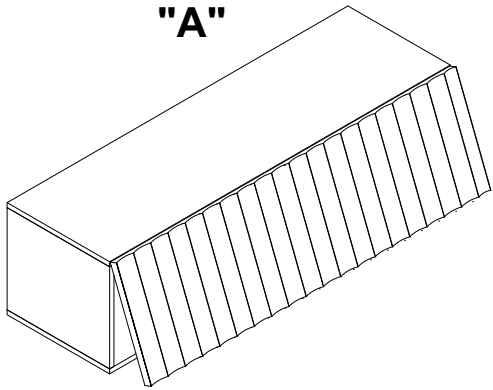
120 minut



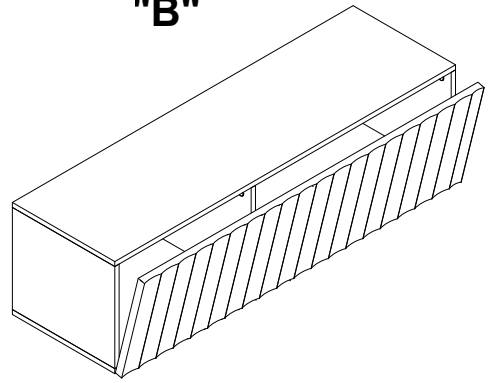
8.0x35 D 12	 X 12	 A 12	Ø15x12 B 12	 L 1	 P 8	 I 4	 W 6	 H 3
				4.0x25 G 1	 F 1	 SP 2	 Z 3	



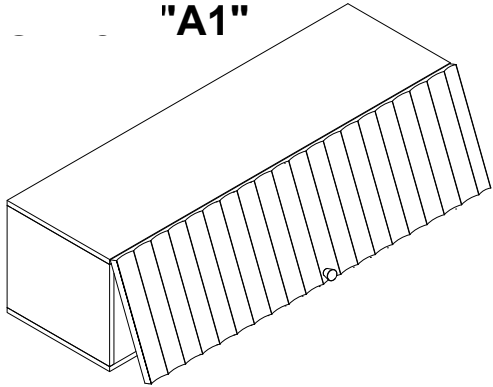
"A"



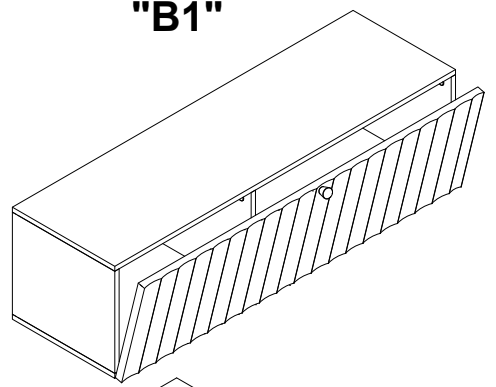
"B"



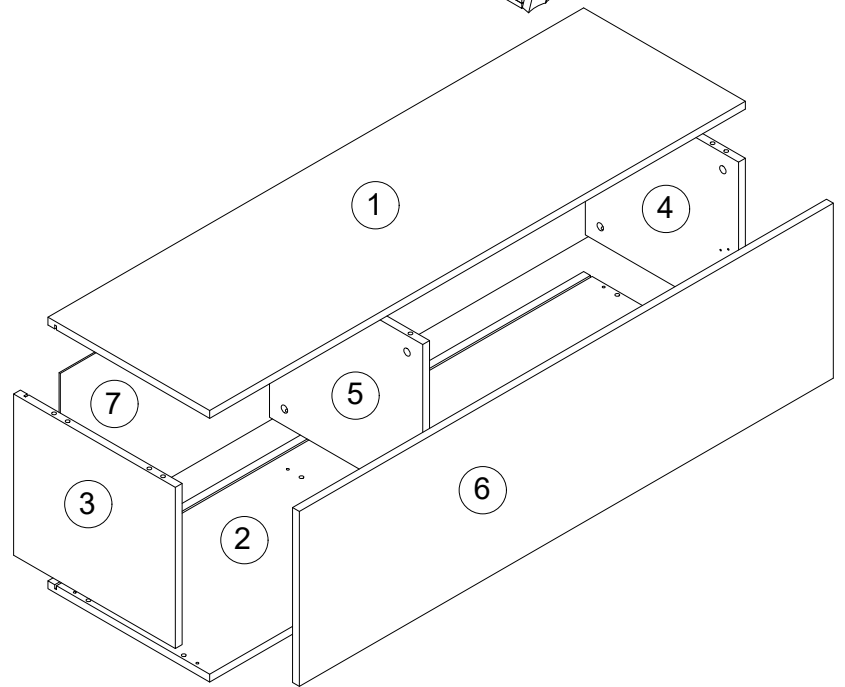
"A1"



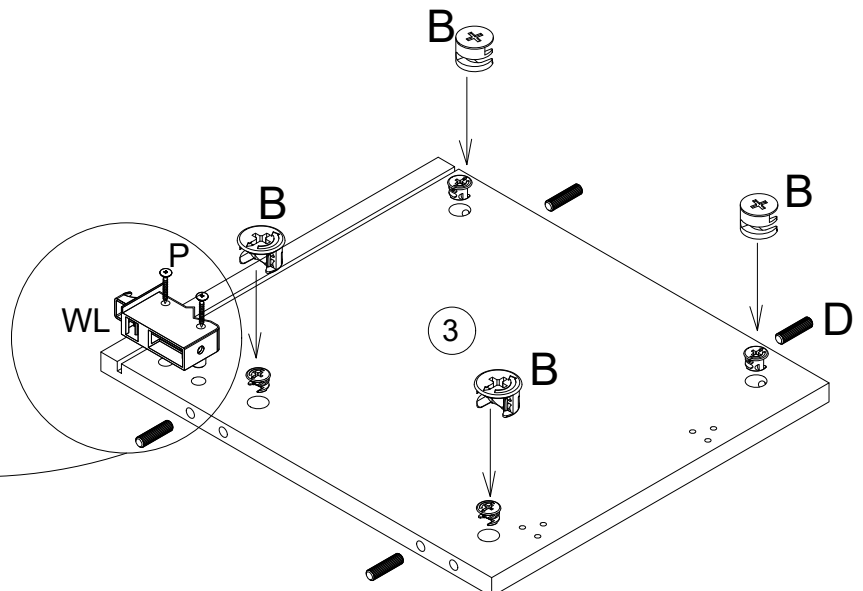
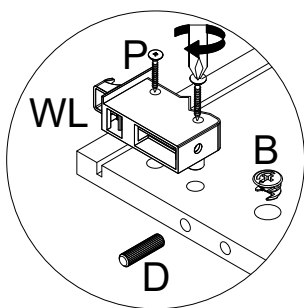
"B1"



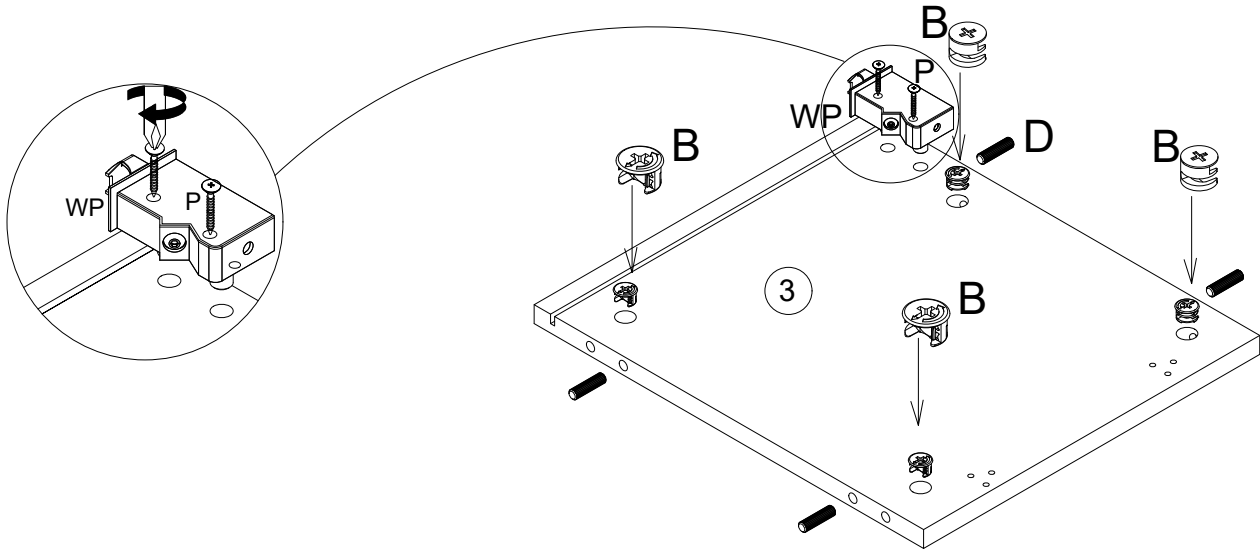
No.	Pcs.	L	W	D
1.	1	1000	380	16
2.	1	1000	380	16
3.	1	307	380	16
4.	1	307	380	16
5.	1	307	350	16
6.	1	995	335	16
7.	1	323	980	3



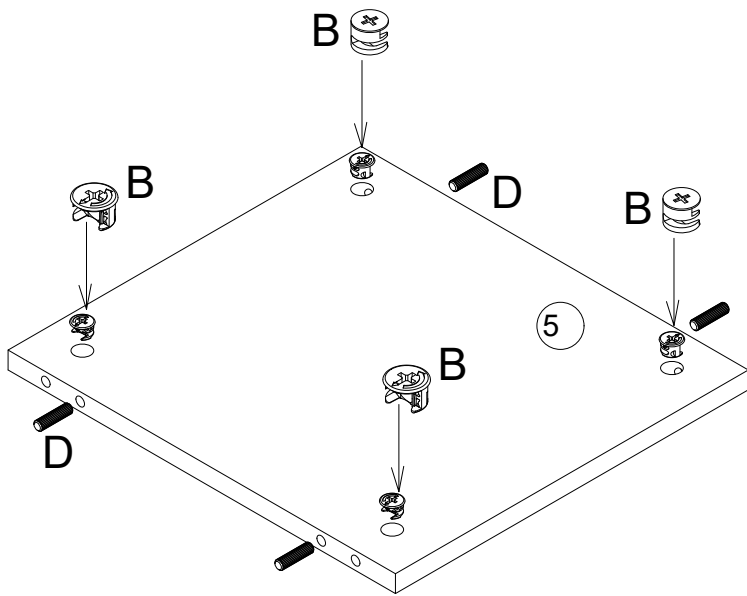
1



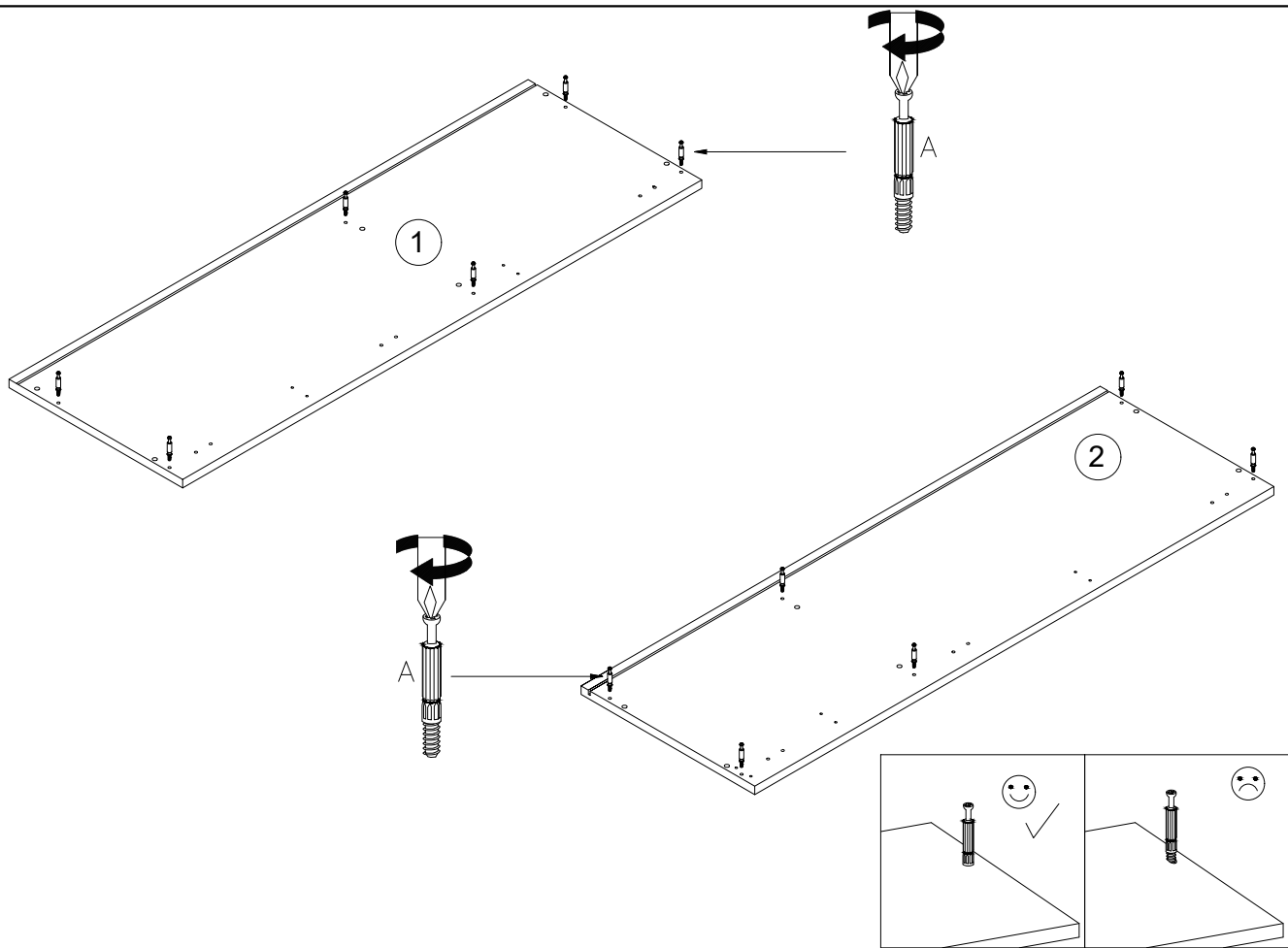
2

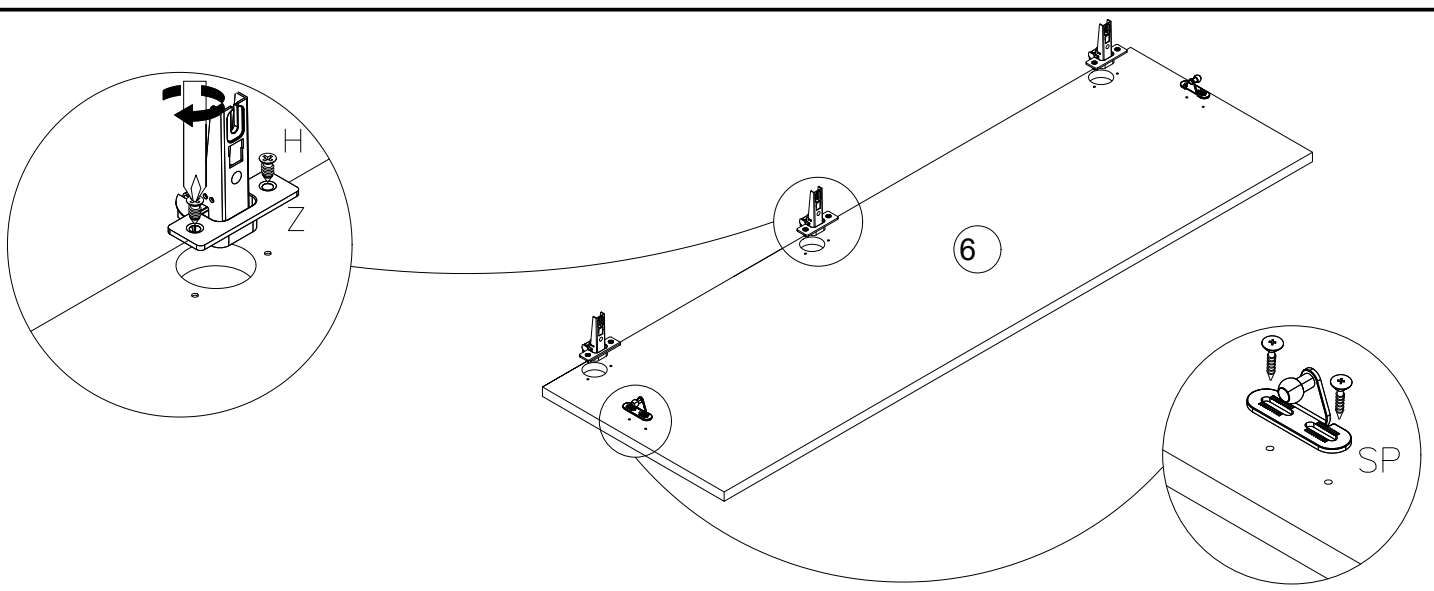
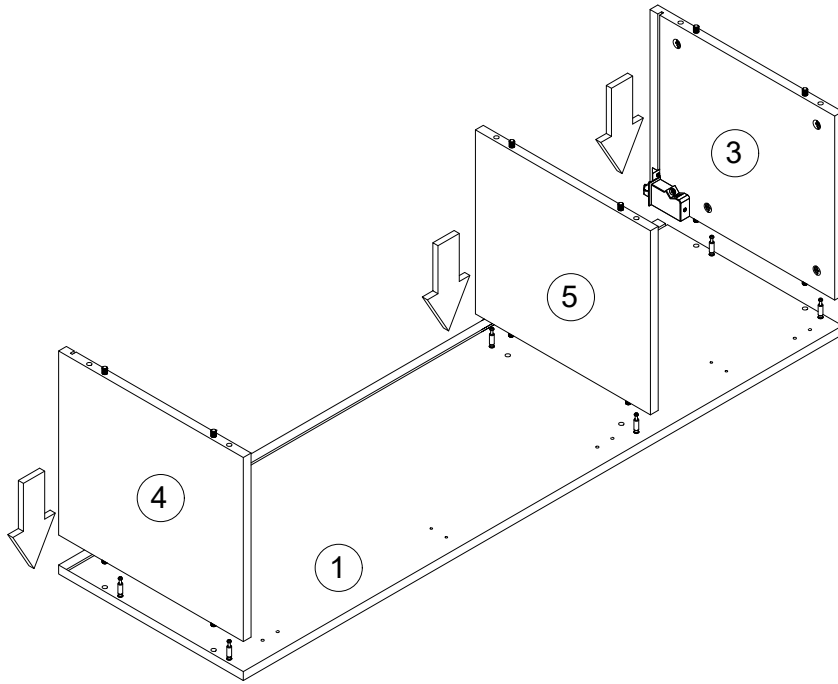
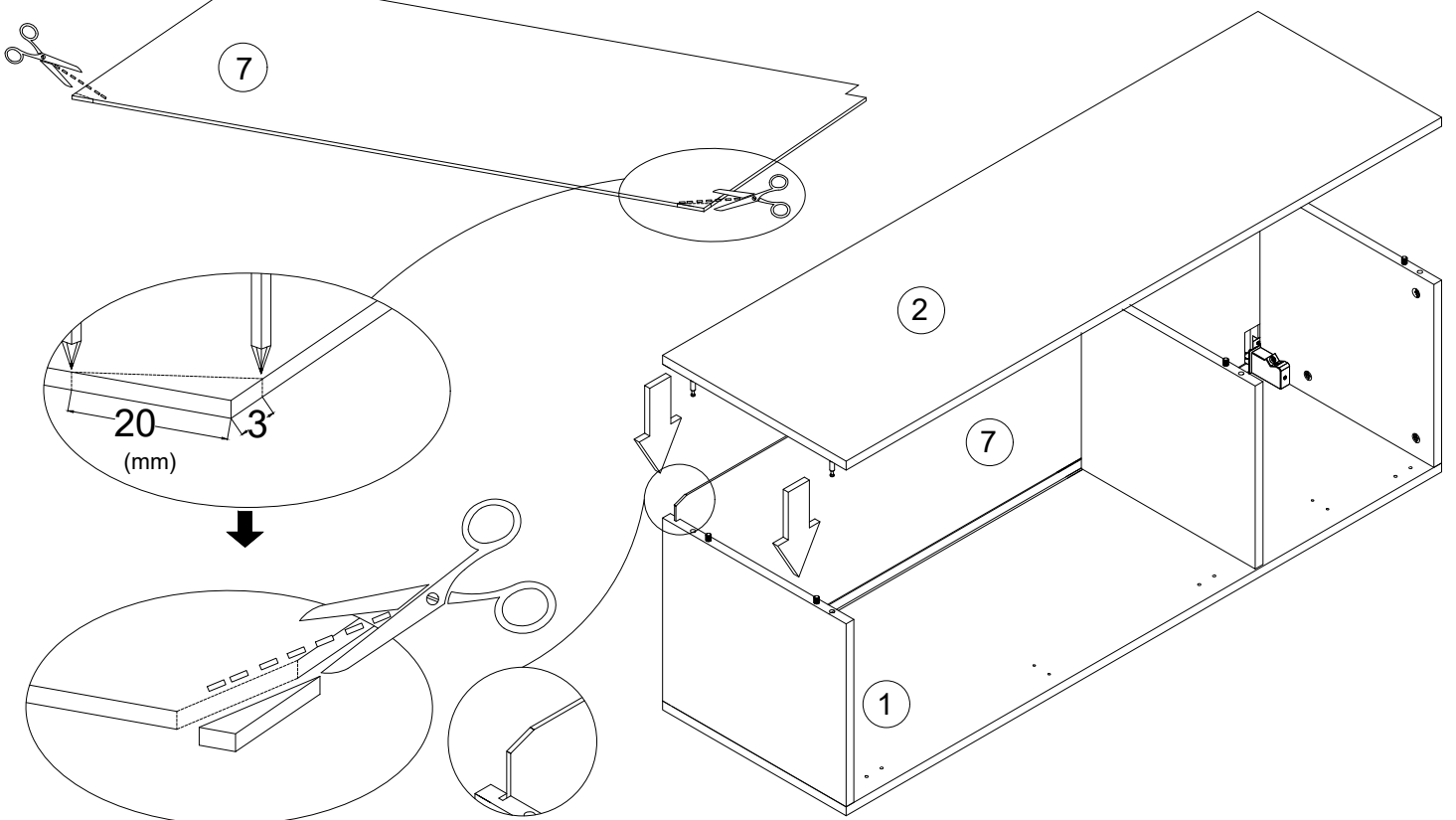


3

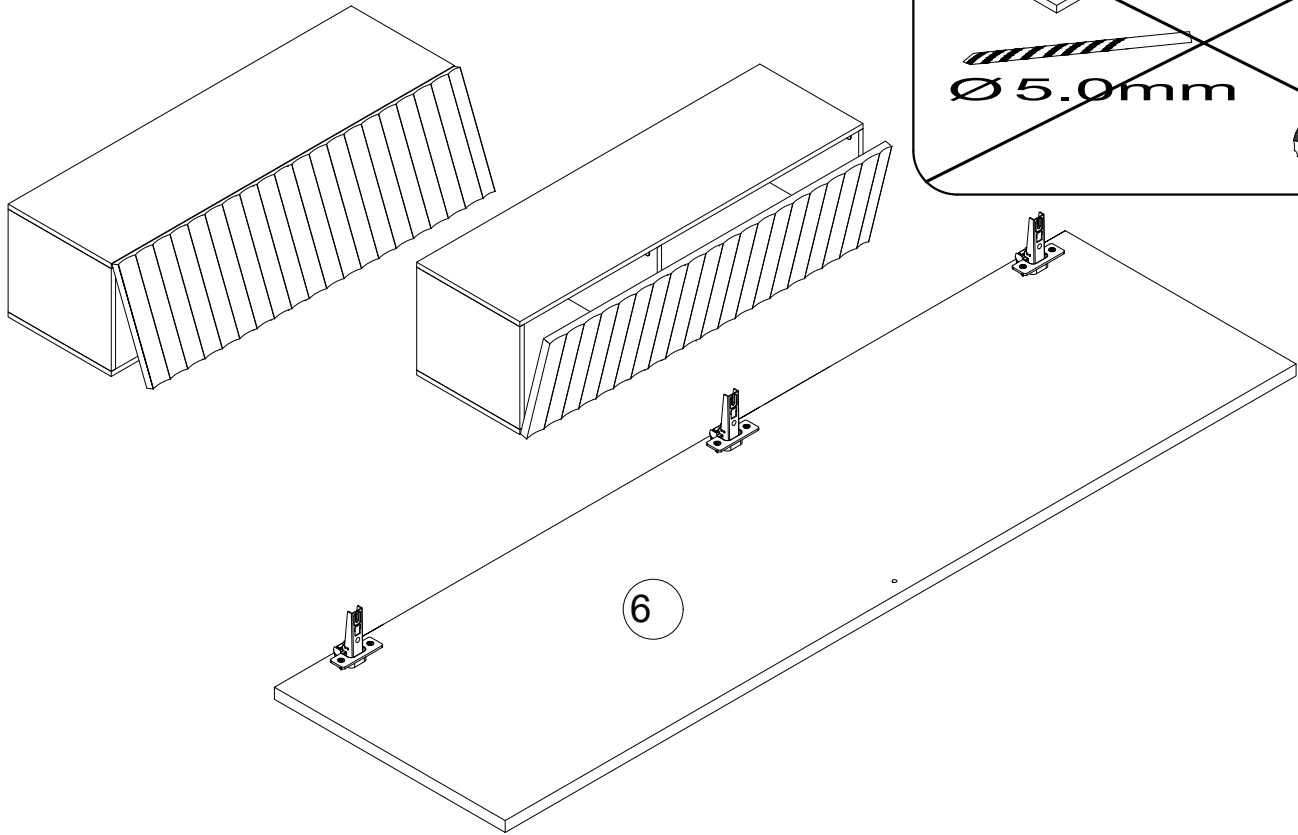


4

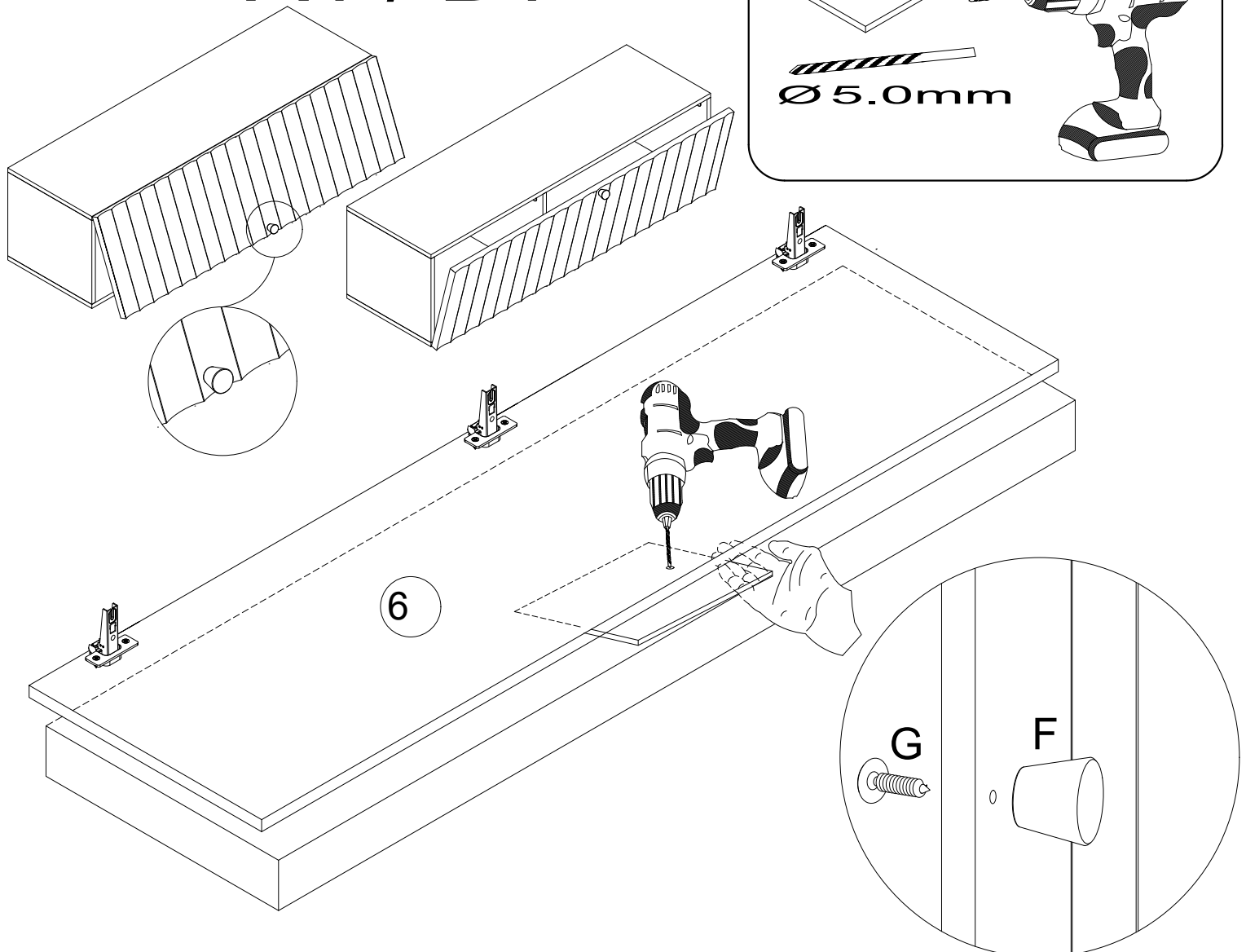


5**6****7**

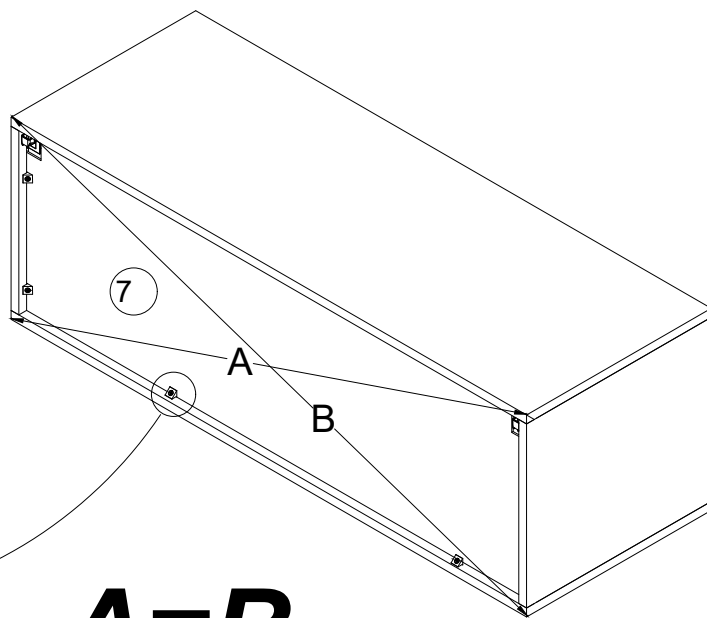
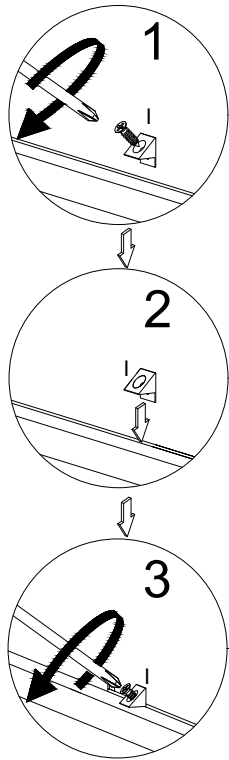
A / B



A1 / B1



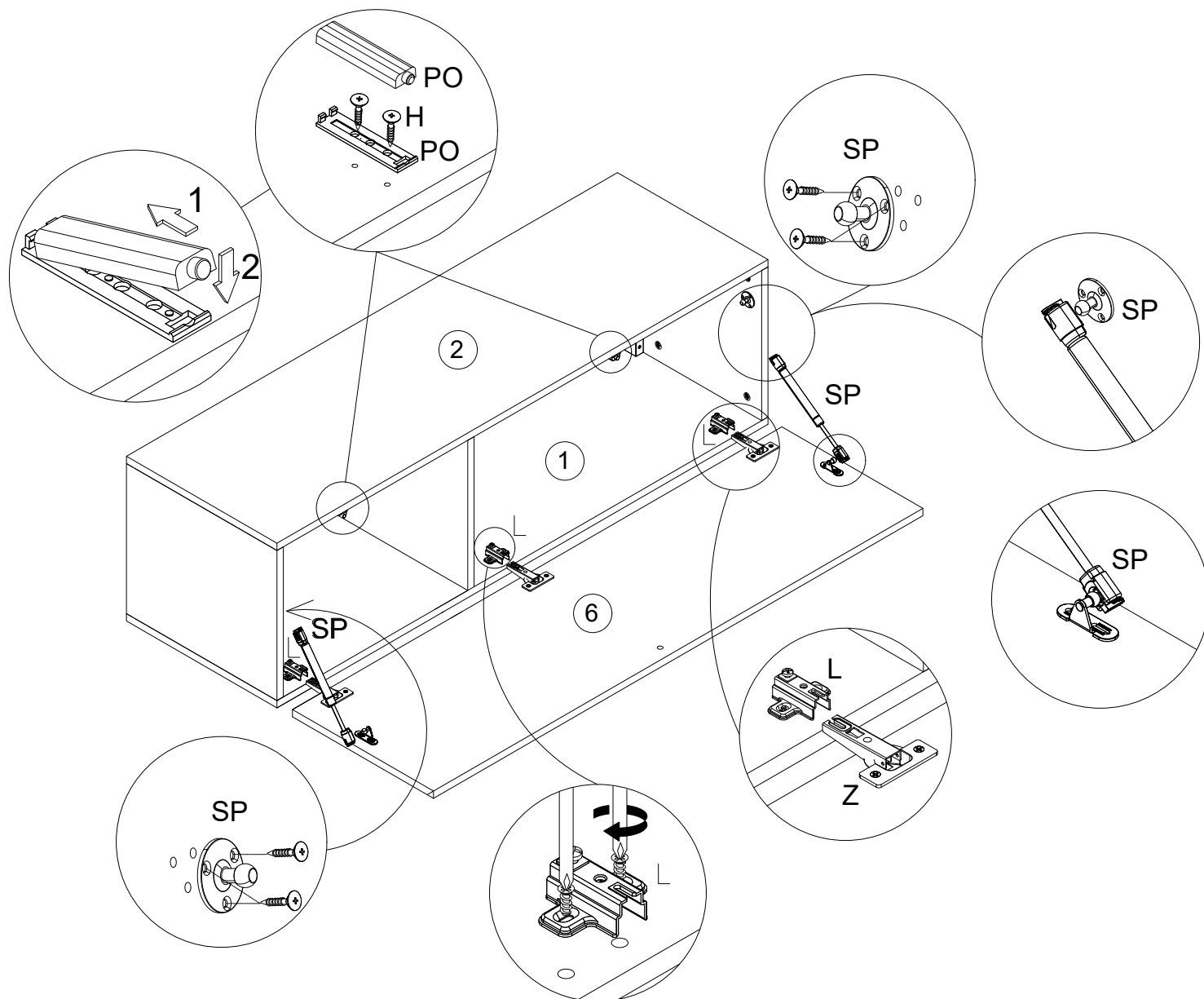
8



A=B

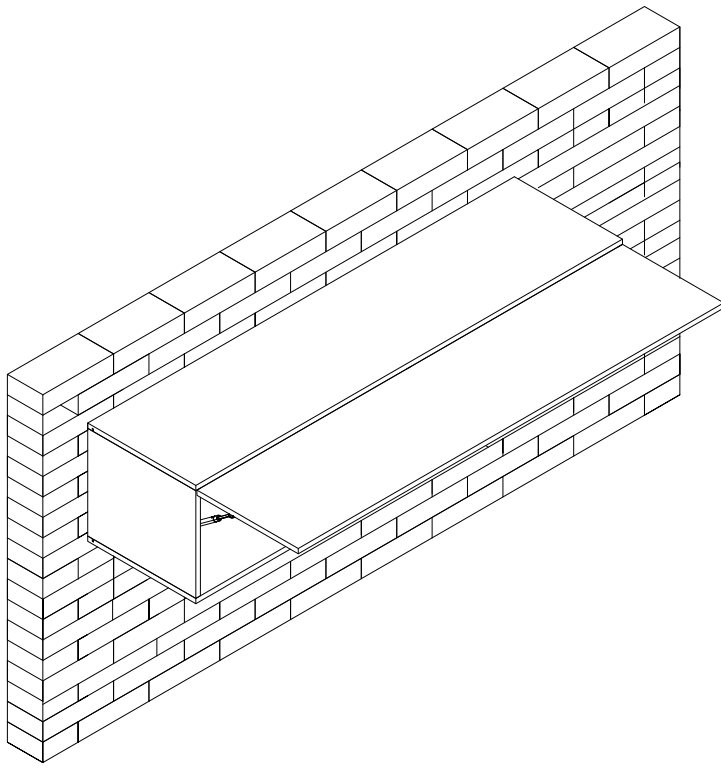
9

"A"



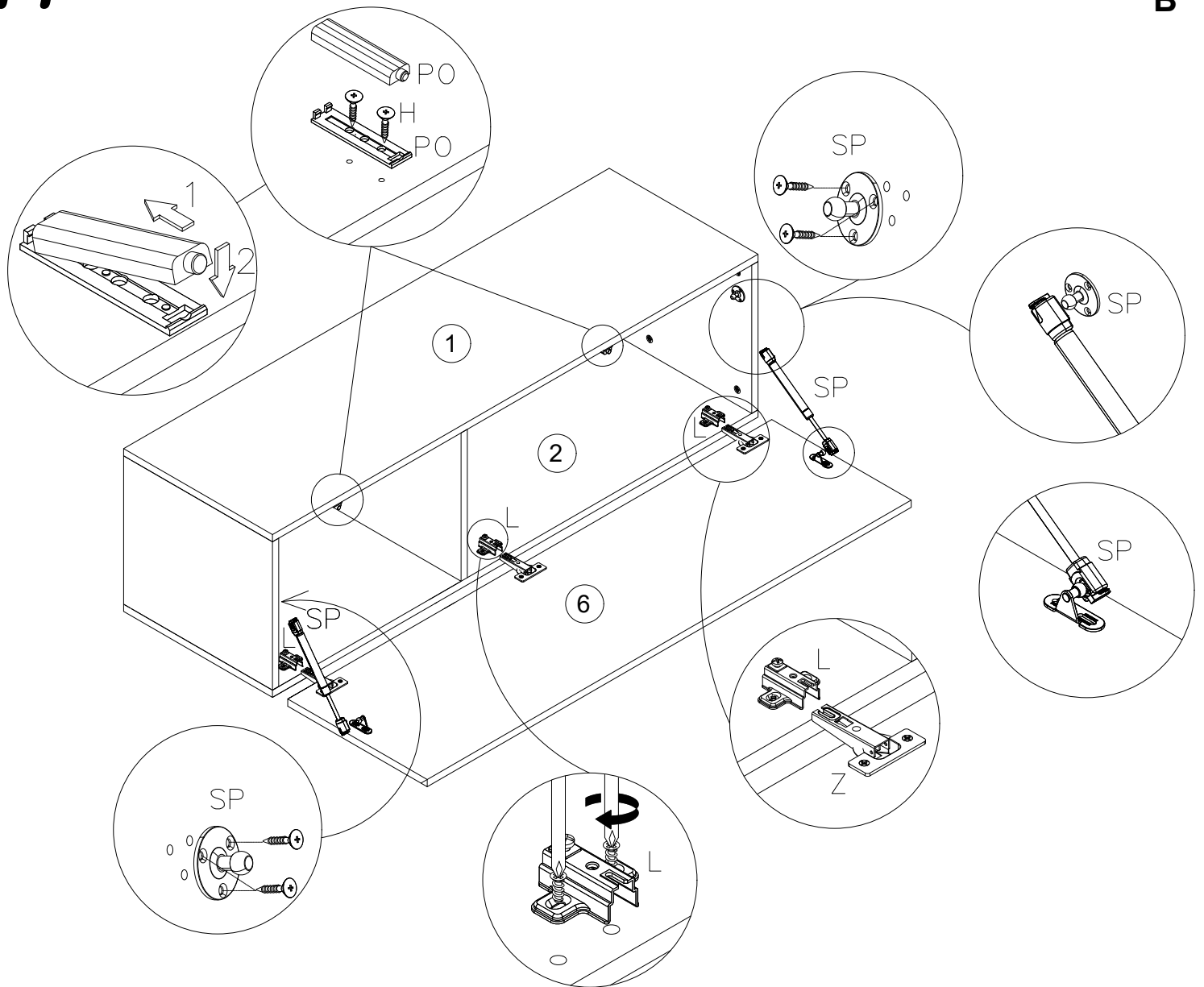
10

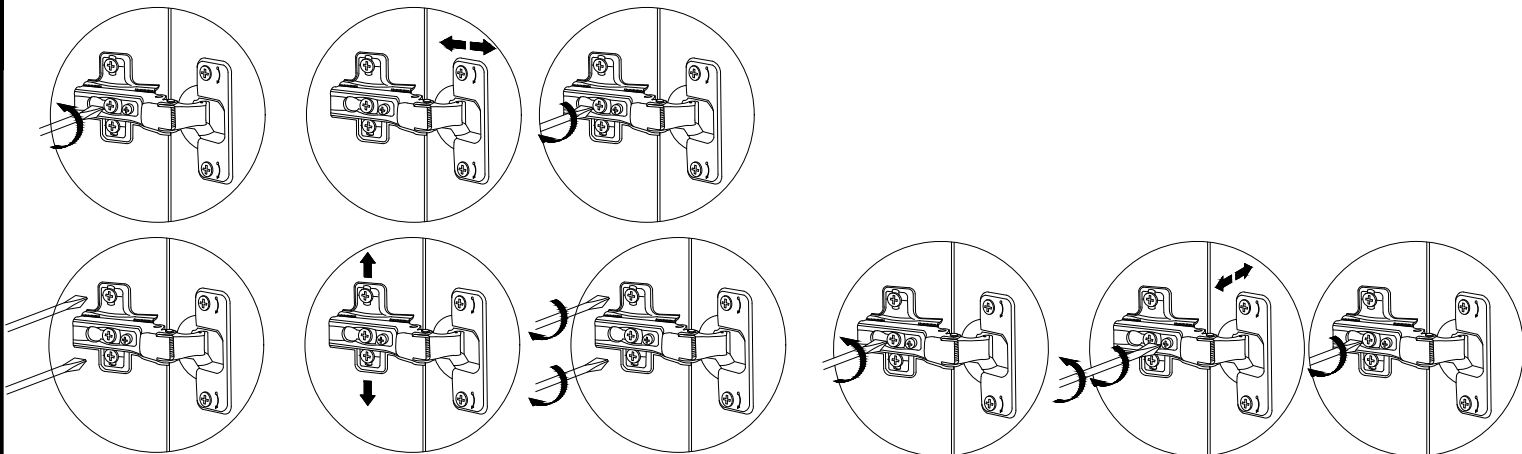
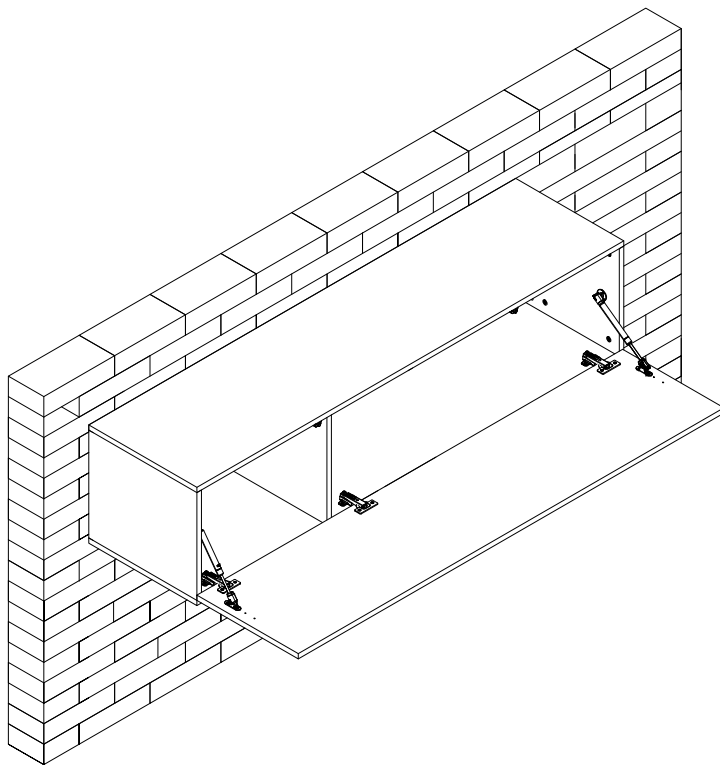
"A"

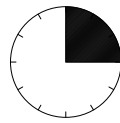
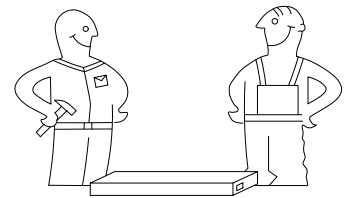


11

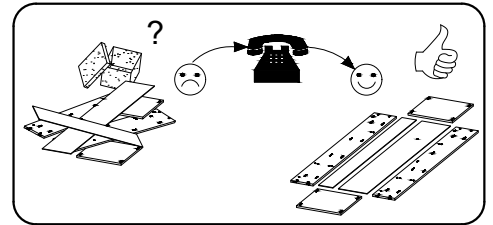
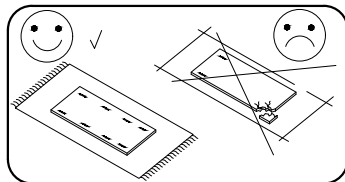
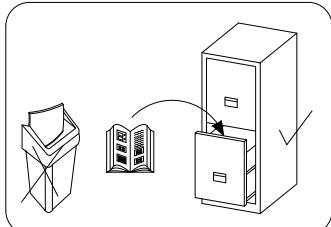
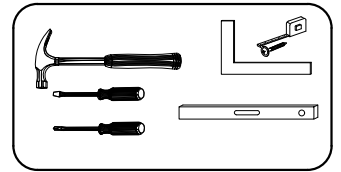
"B"







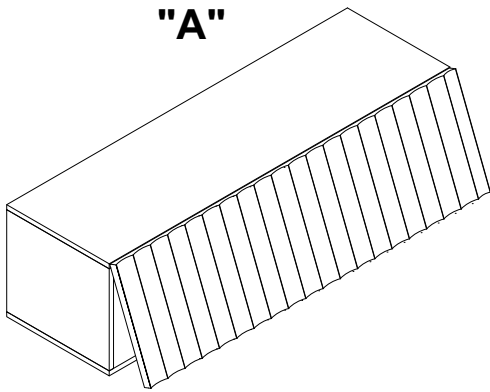
120 minut



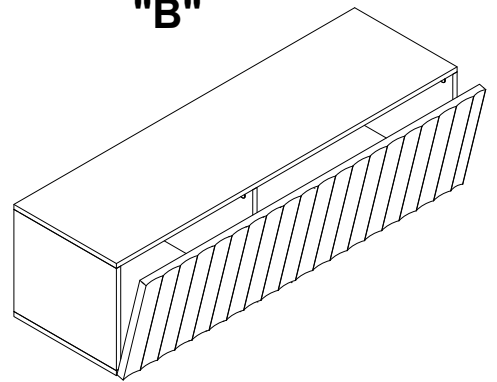
8.0x35 D 12	 X 12	 A 12	Ø15x12 B 12	 L 1	 P-W 8	4.0x30 P 4	3.5x16 H 8	 L 4
				4.0x25 G 1	 F 1	 SP 2	 Z 4	



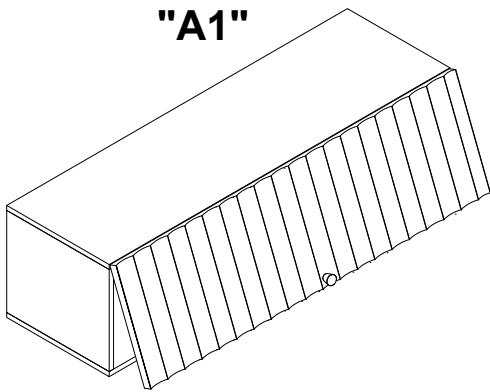
"A"



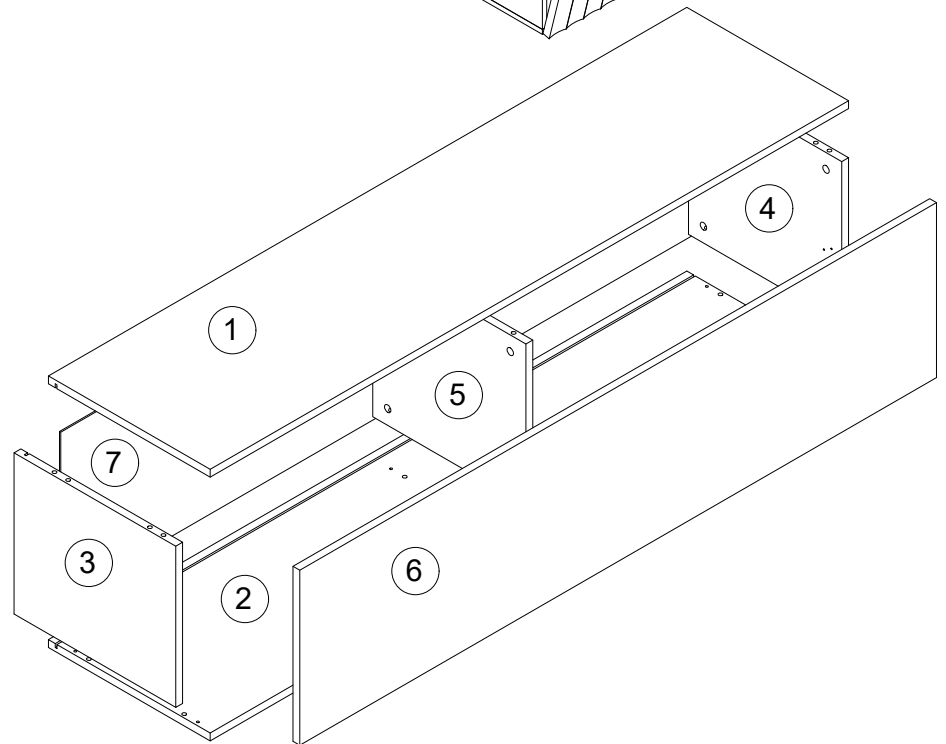
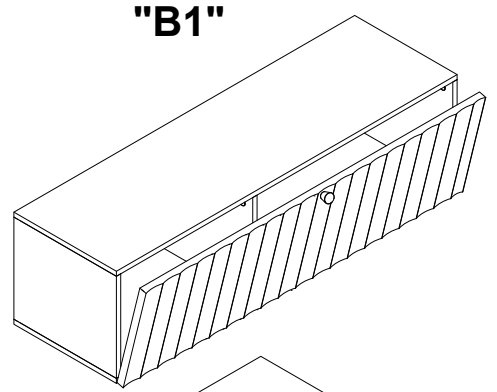
"B"



"A1"

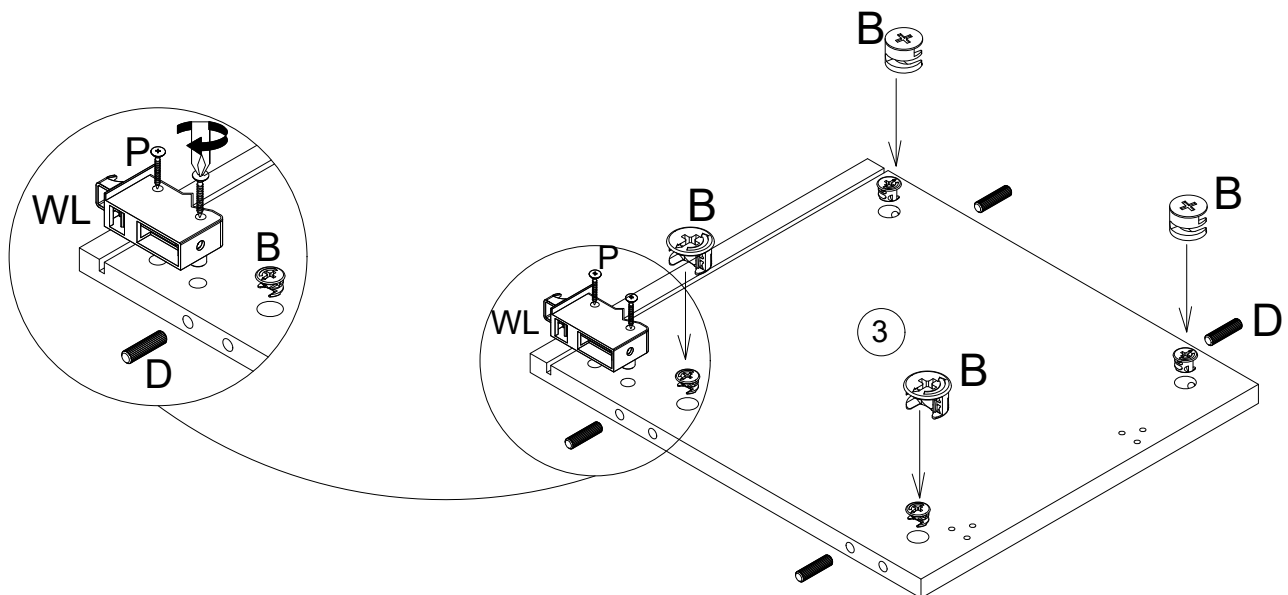


"B1"

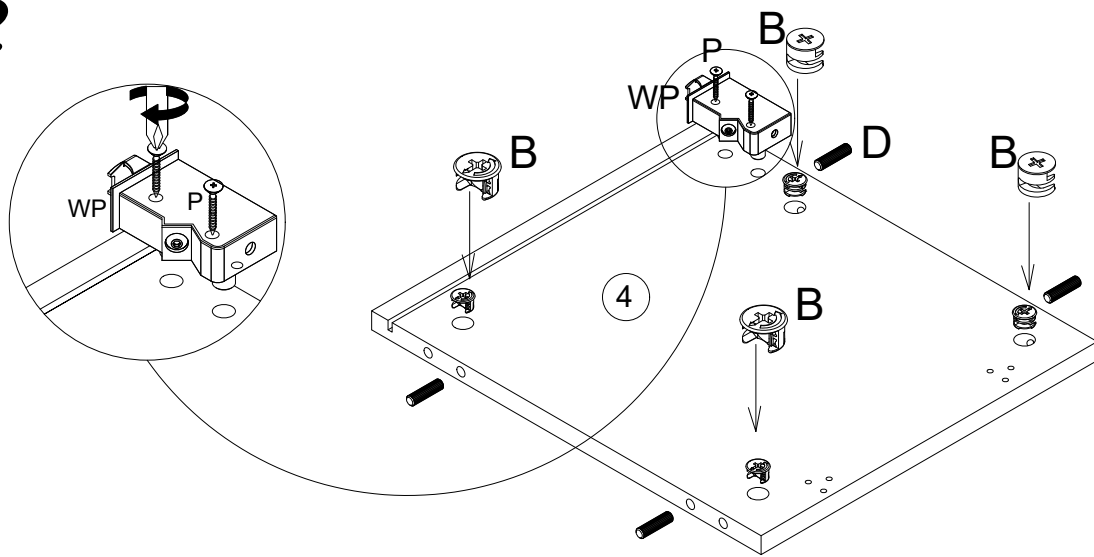


No.	Pcs.	L	W	D
1.	1	1500	380	16
2.	1	1500	380	16
3.	1	307	380	16
4.	1	307	380	16
5.	1	307	350	16
6.	1	335	1495	16
7.	1	323	1484	3

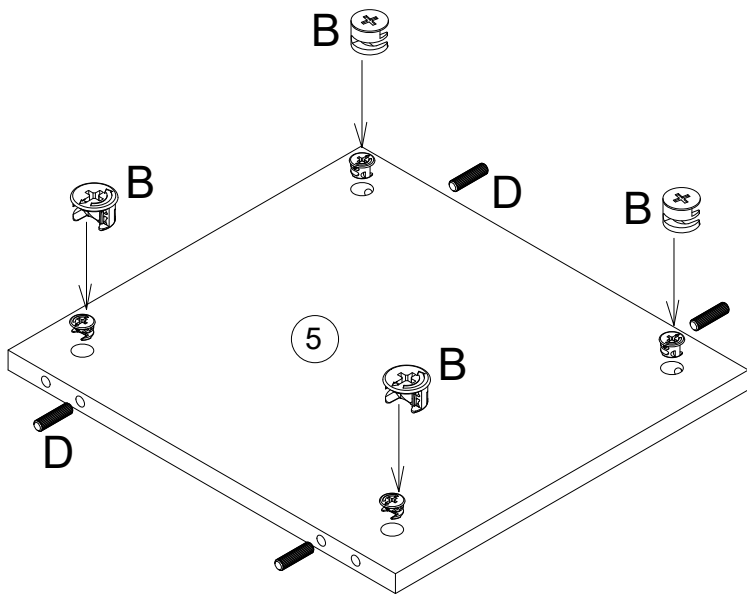
1



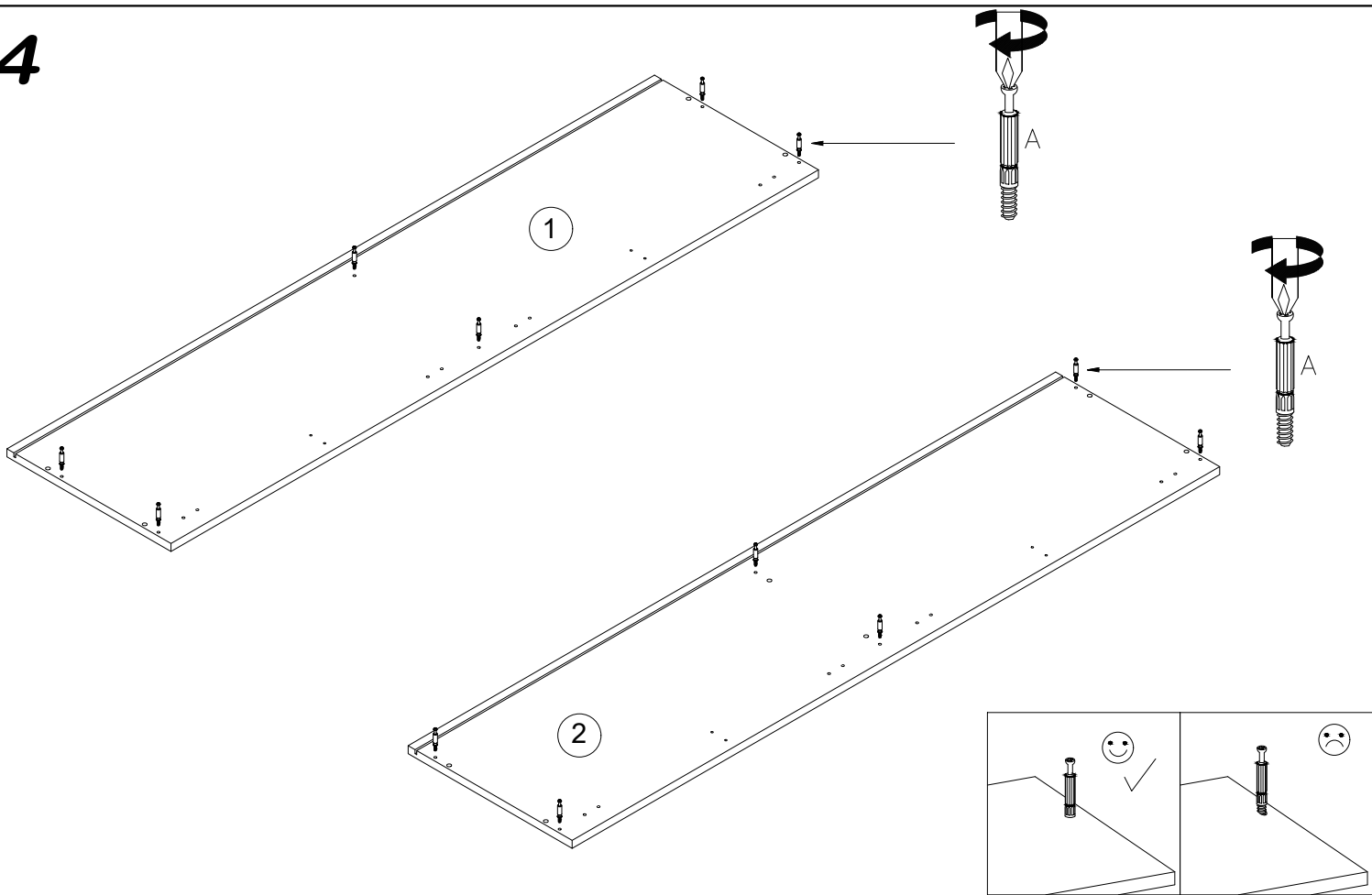
2

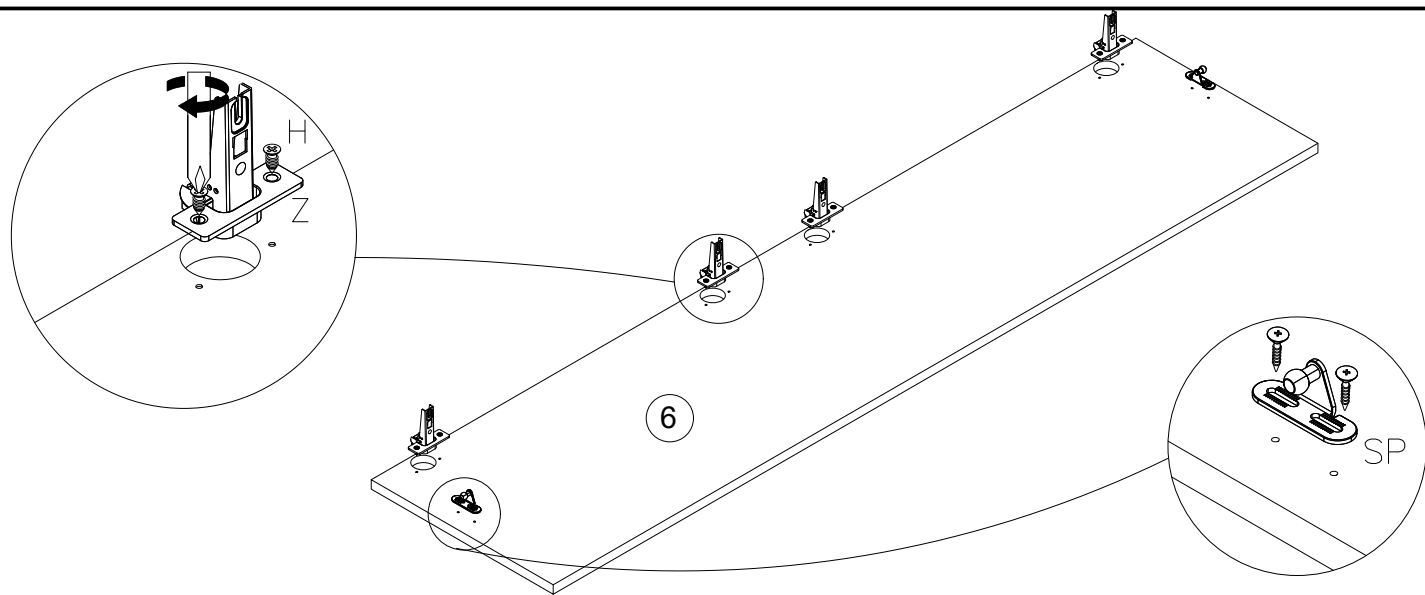
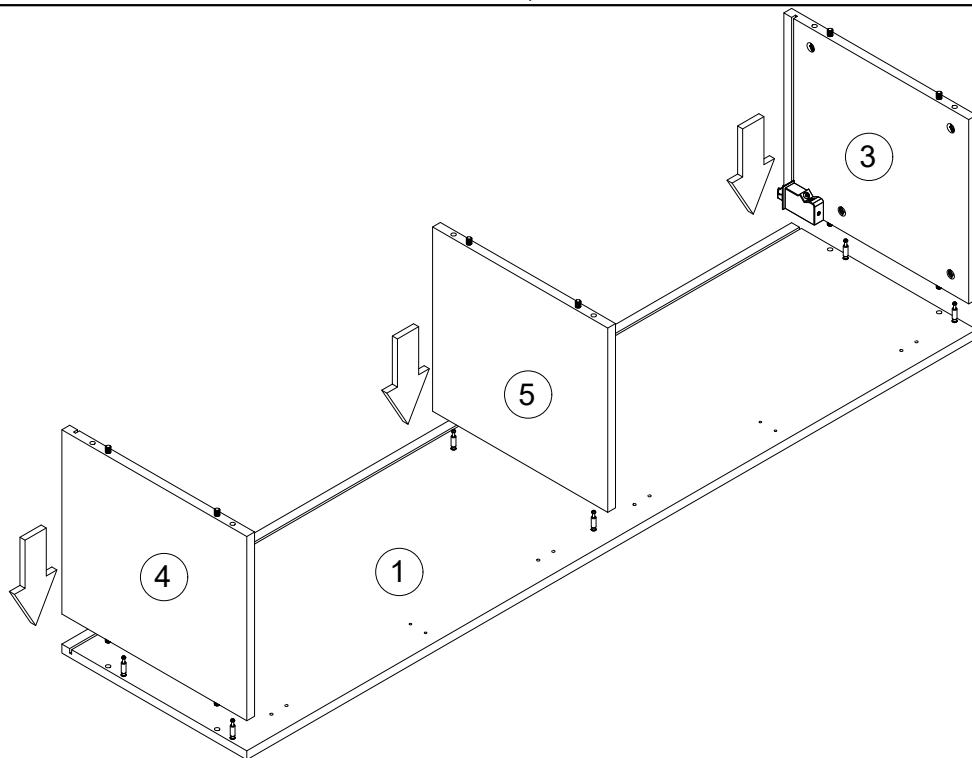
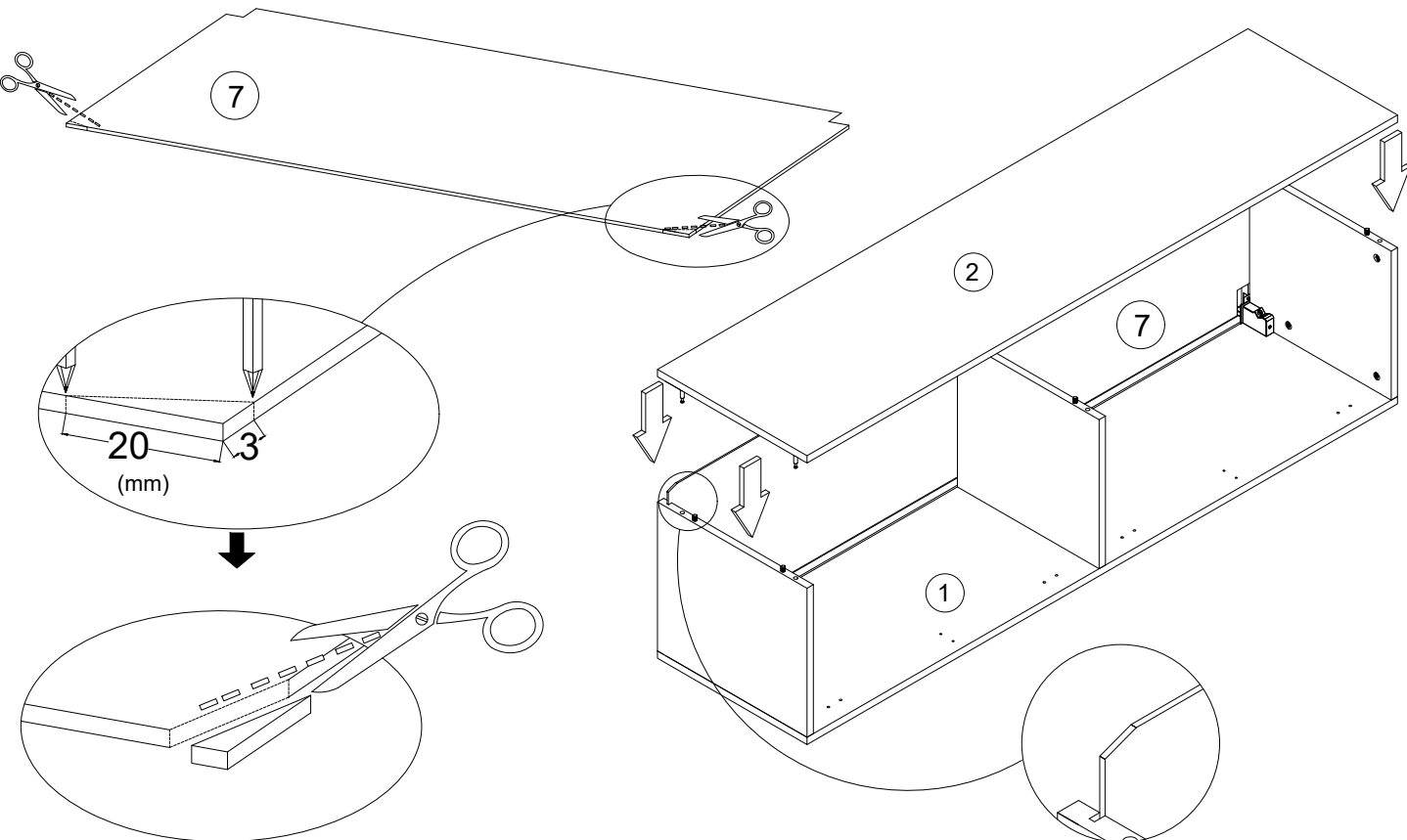


3

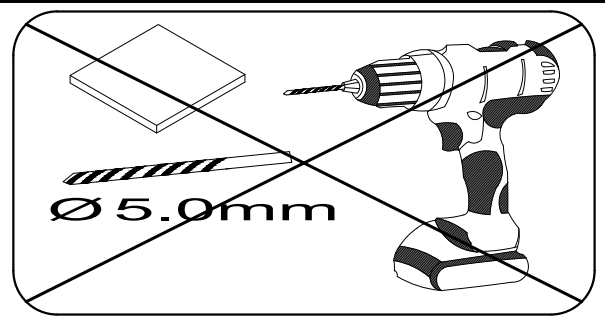
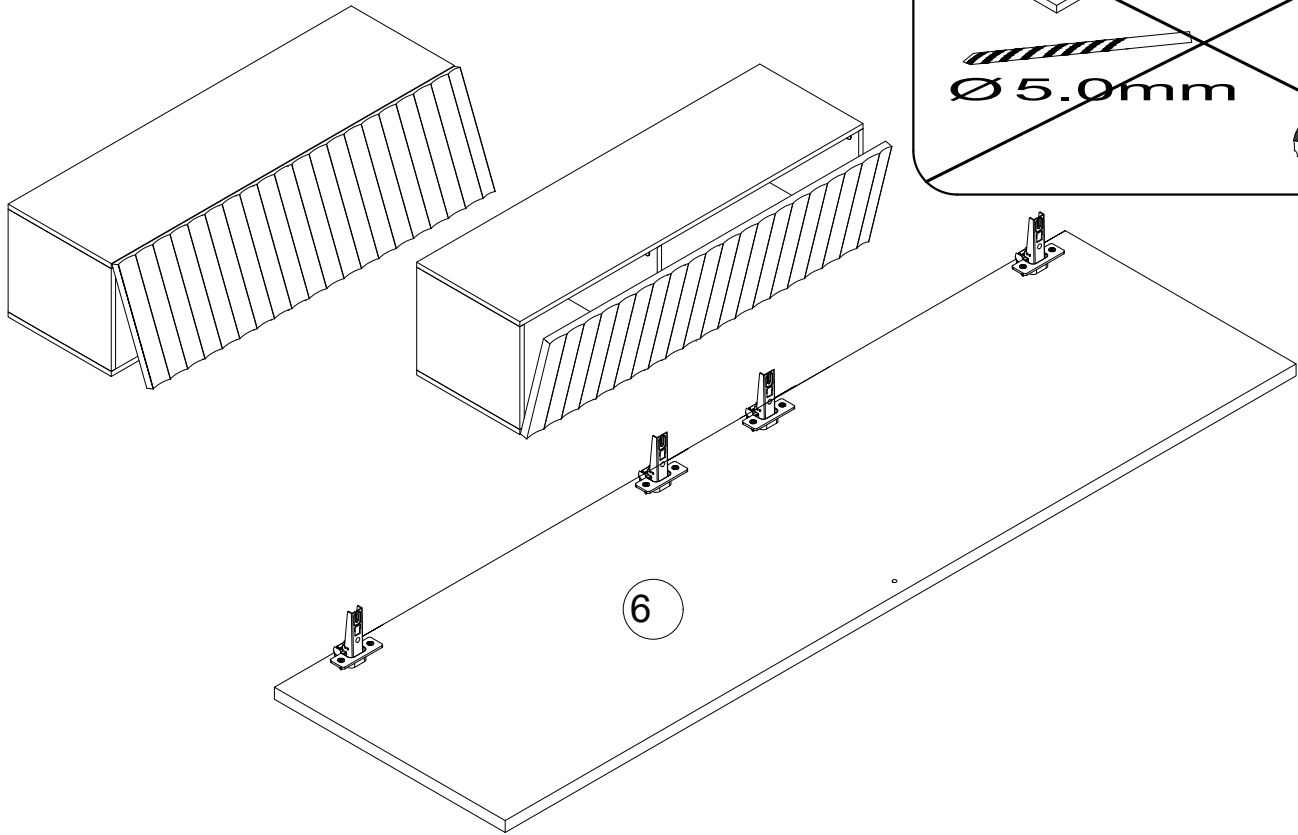


4

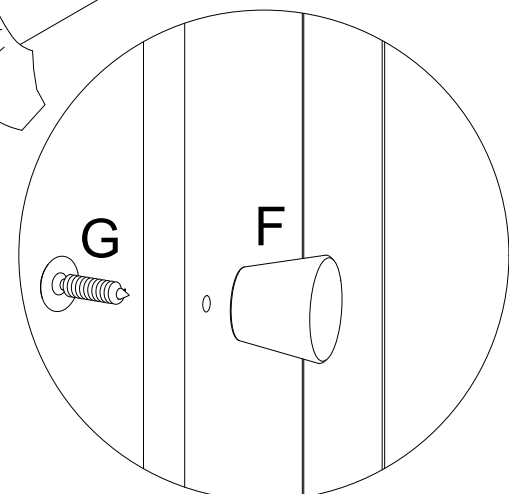
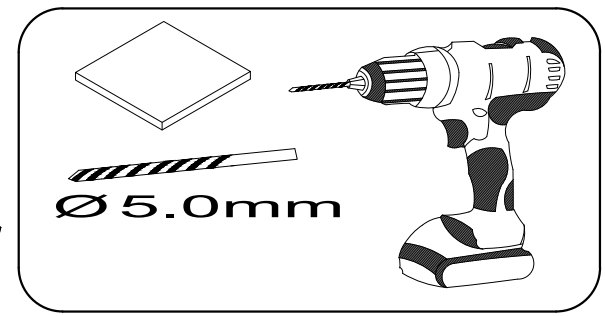
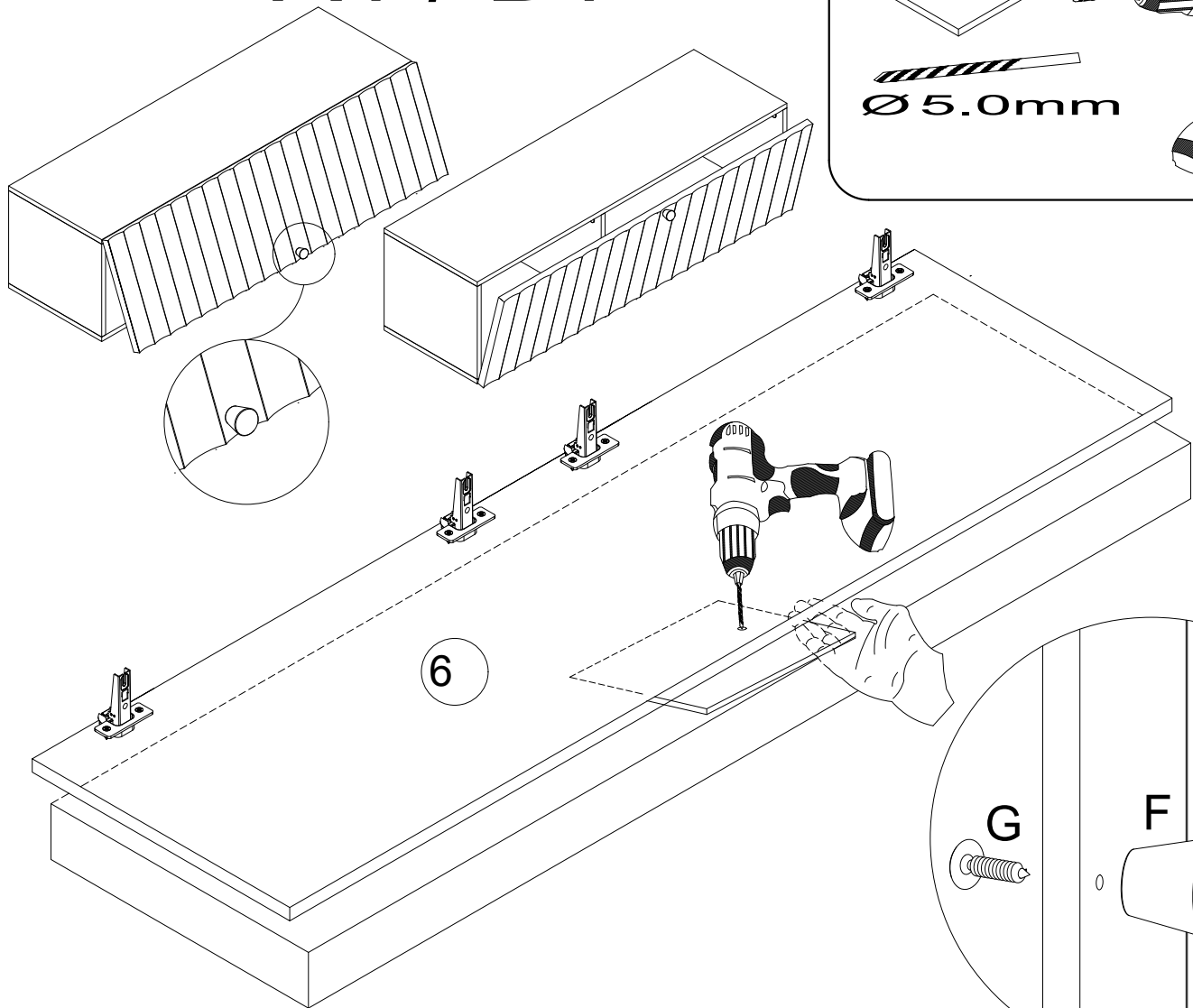


5**6****7**

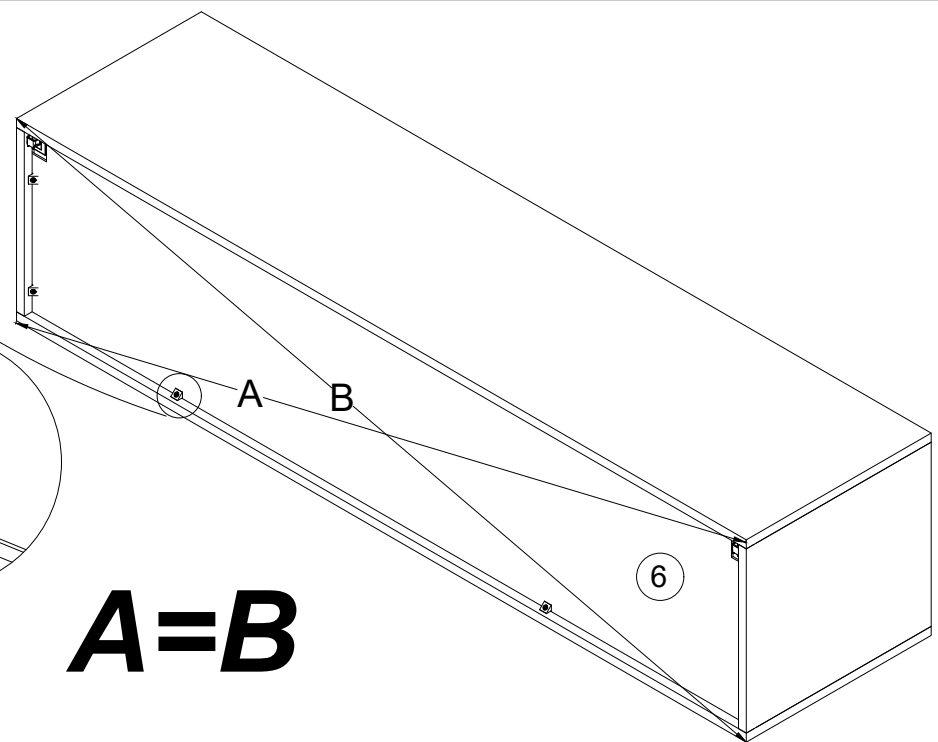
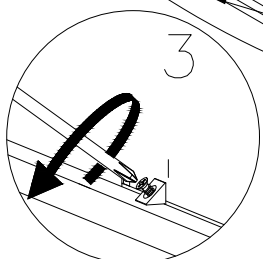
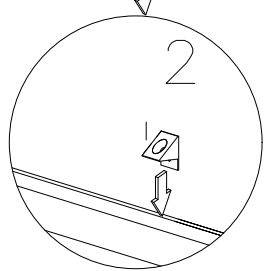
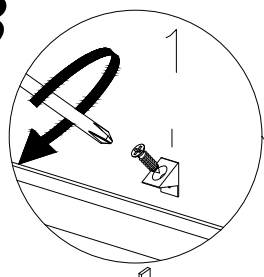
A / B



A1 / B1



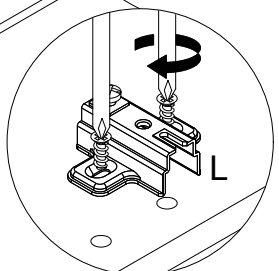
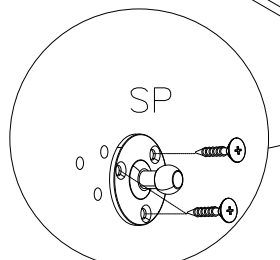
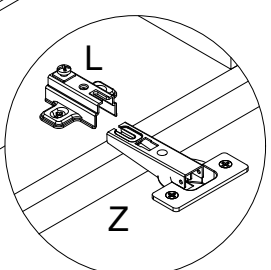
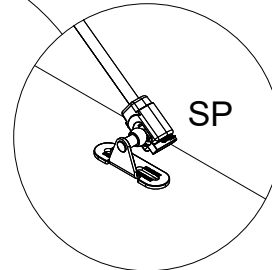
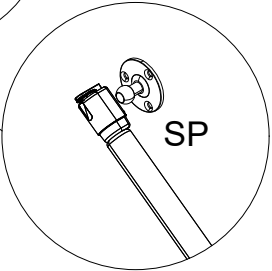
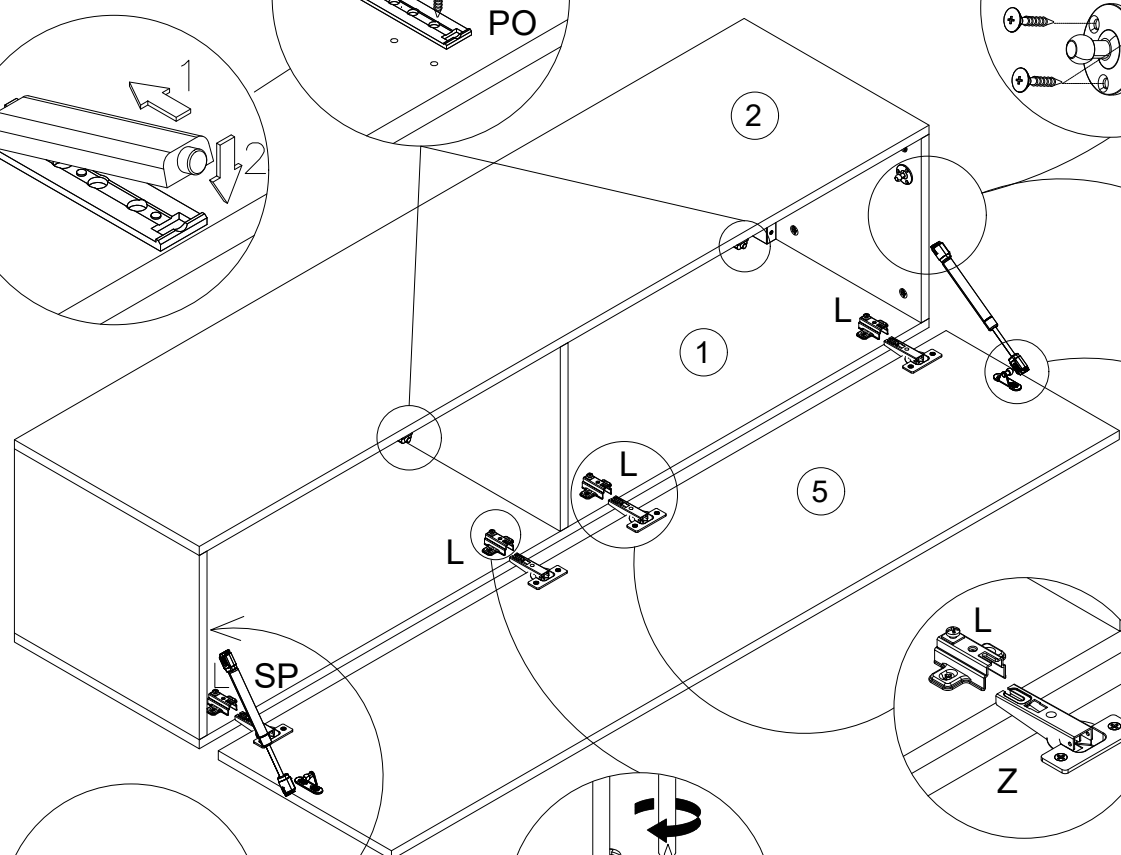
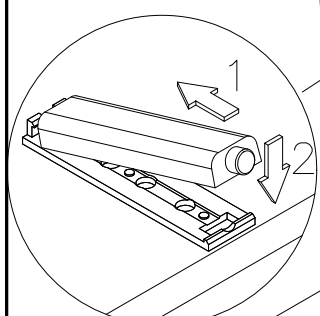
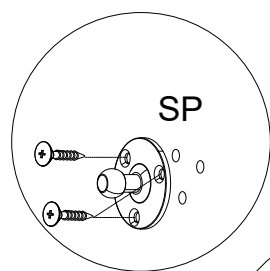
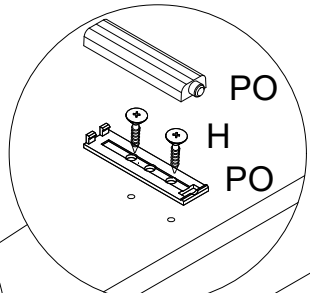
8



A=B

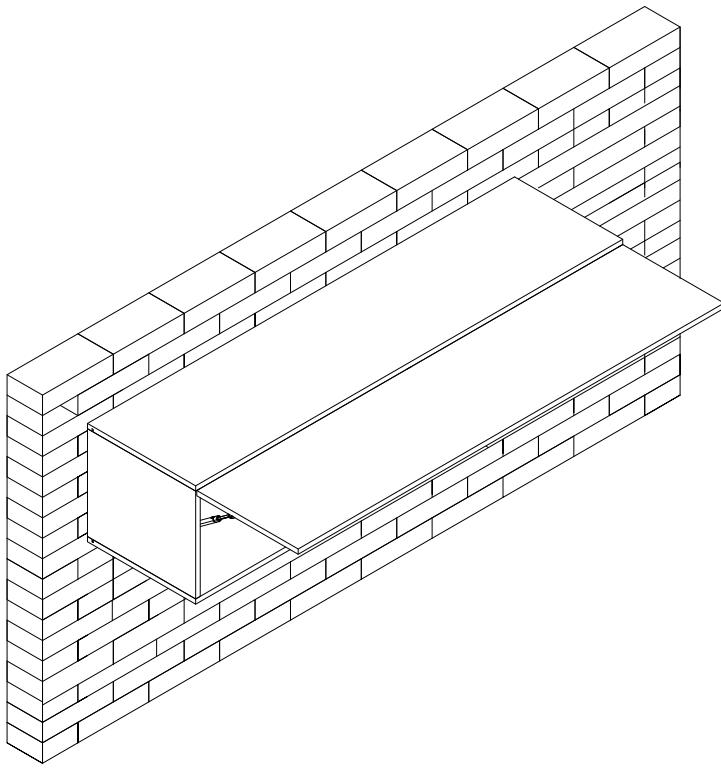
9

"A"



10

"A"



11

"B"

