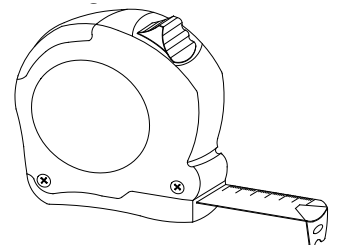
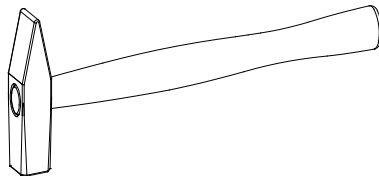
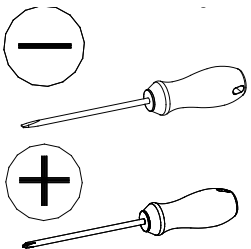
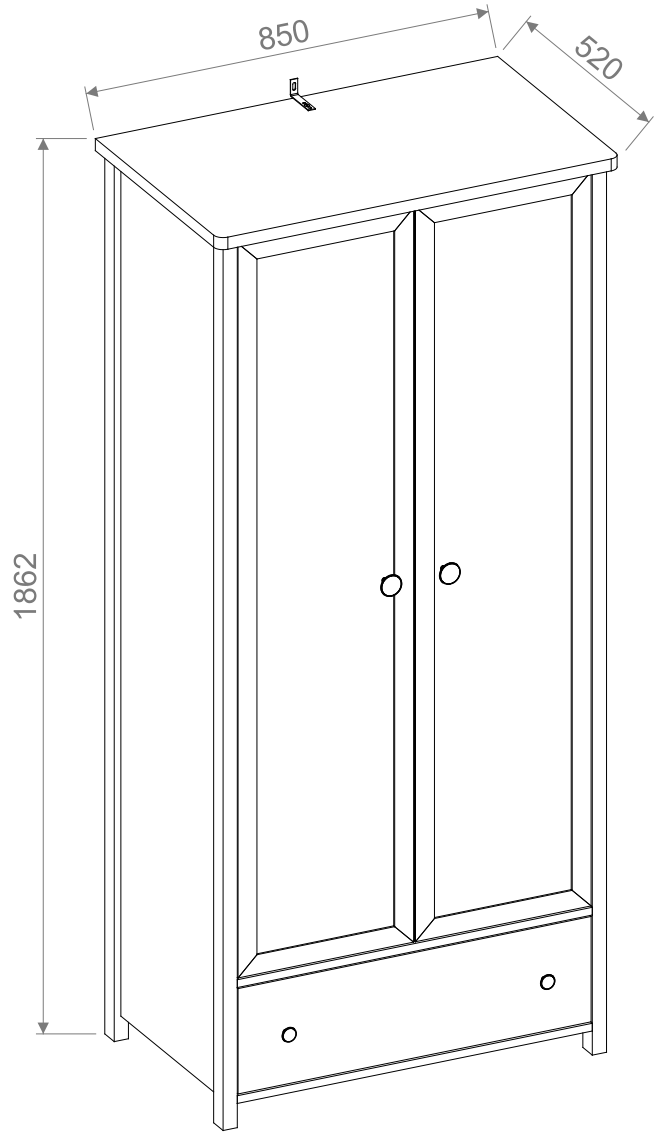
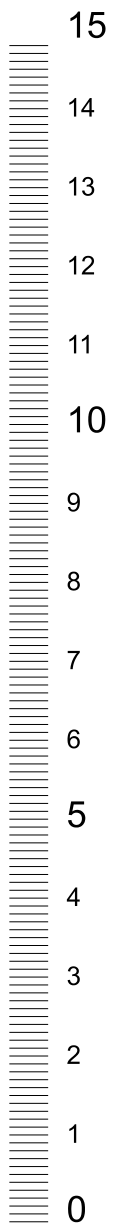
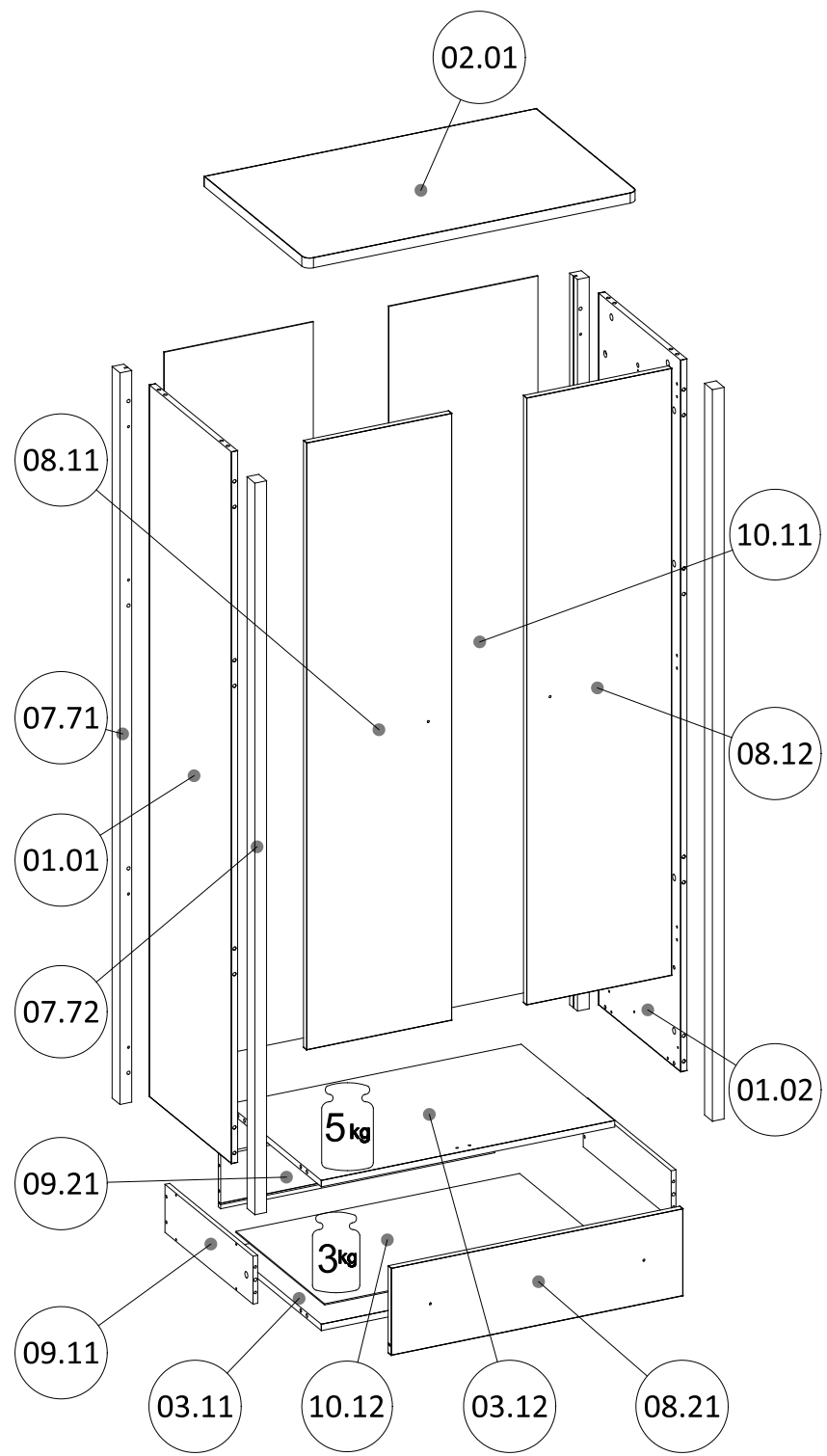


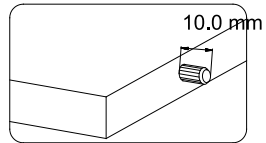
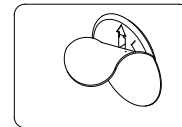
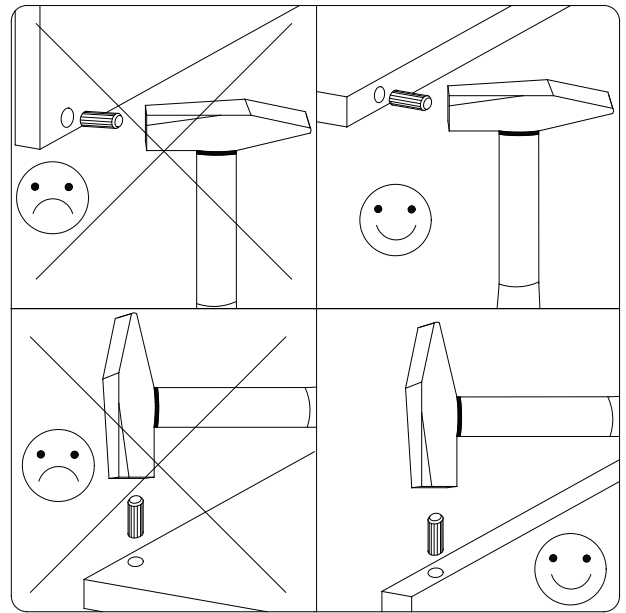
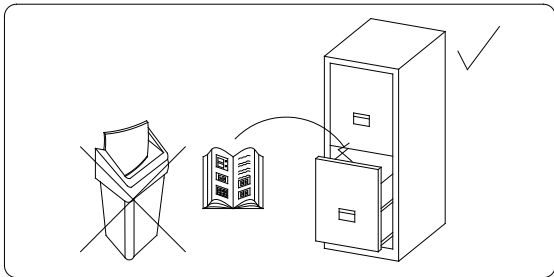
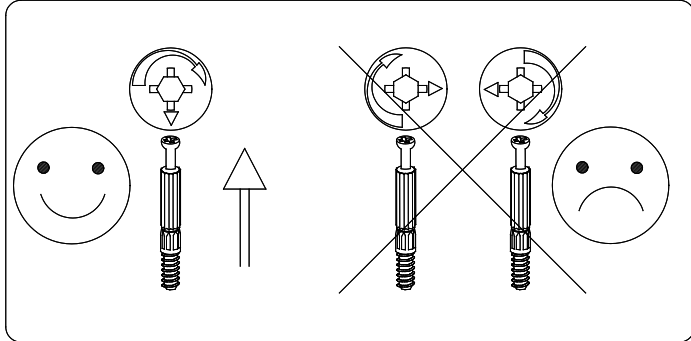
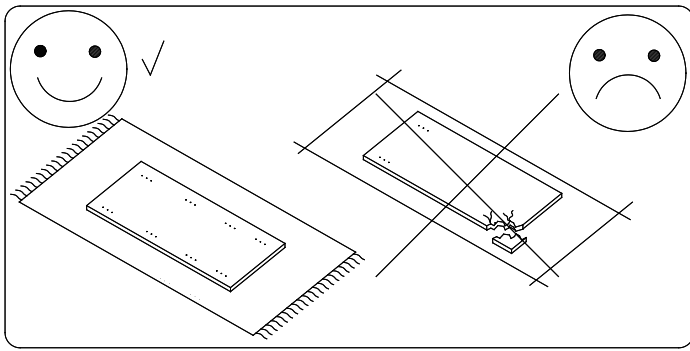
120 min





·	·	·	·	·	·
01.01	1782,0	420,0	16,0	1	1/2
01.02	1782,0	420,0	16,0	1	1/2
02.01	850,0	520,0	25,0	1	2/2
03.11	750,0	478,0	16,0	1	2/2
03.12	750,0	478,0	16,0	1	2/2
07.71	1832,0	40,0	30,0	2	1/2
07.72	1832,0	40,0	30,0	2	1/2
08.11	1520,0	371,0	16,0	1	1/2
08.12	1520,0	371,0	16,0	1	1/2
08.21	746,0	218,0	16,1	1	2/2
09.11	450,0	120,0	12,0	2	2/2
09.21	701,0	134,0	12,0	1	2/2
10.11	1788,0	381,0	3,0	2	1/2
10.12	725,0	453,0	3,0	1	2/2

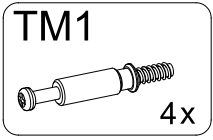
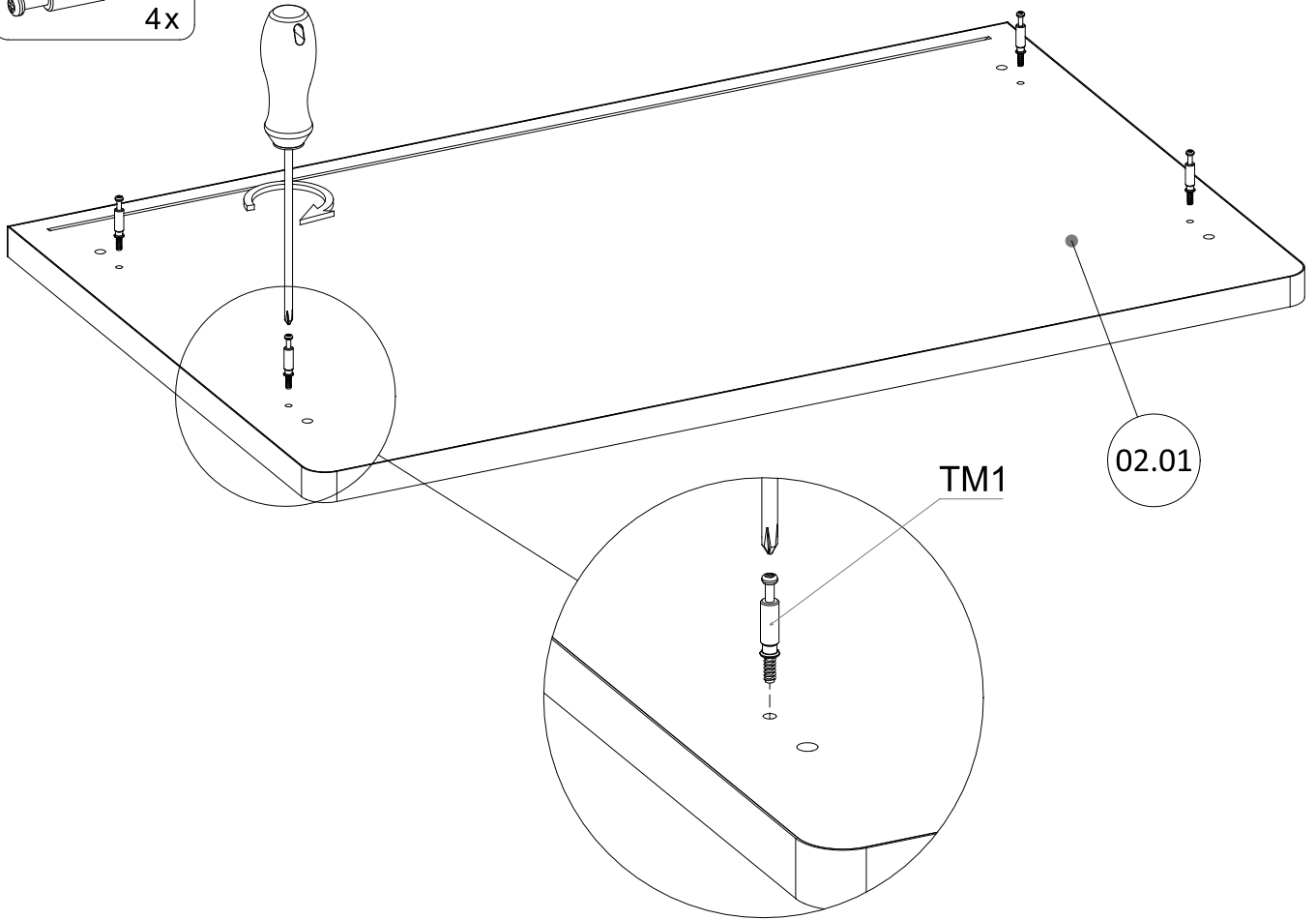
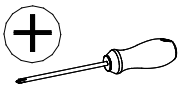




NA20 Ø20 318 18x	WE61 5x13 6x	WDP 2x	W7 4x13 14x	G2 2,0x20 6x	PP6 Ø5 2x
D L=744 mm 1x	WE66 5x9 4x	H2E 6x	Z2 6x	U1 Ø45 2x	W38 4x30 2x
H L=1525mm 1x	PR5 L=450 1x	K1 6x30 4x	KP 6x40 4x	U Ø26 2x	S42 4x25 2x
TK 14x	SG 4x	K2 8x30 28x	TM1 30x	M10 Ø15x10 2x	W34 4x16 1x
				M12 Ø15x12 28x	KA 1x

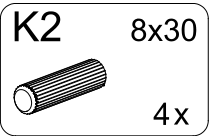
1

TM1
4x

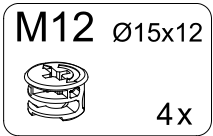
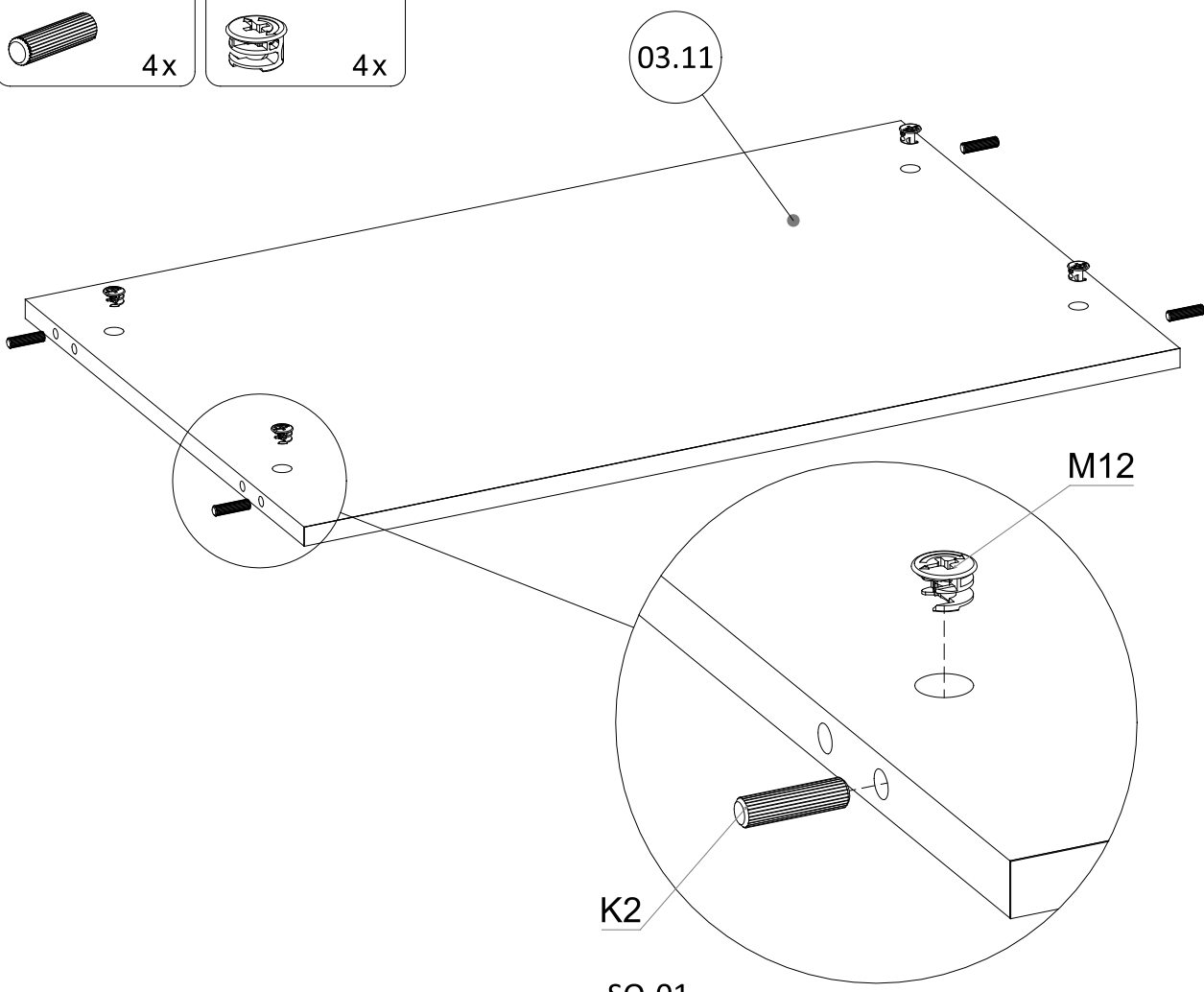



2

K2 8x30
4x



M12 Ø15x12
4x

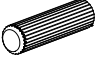




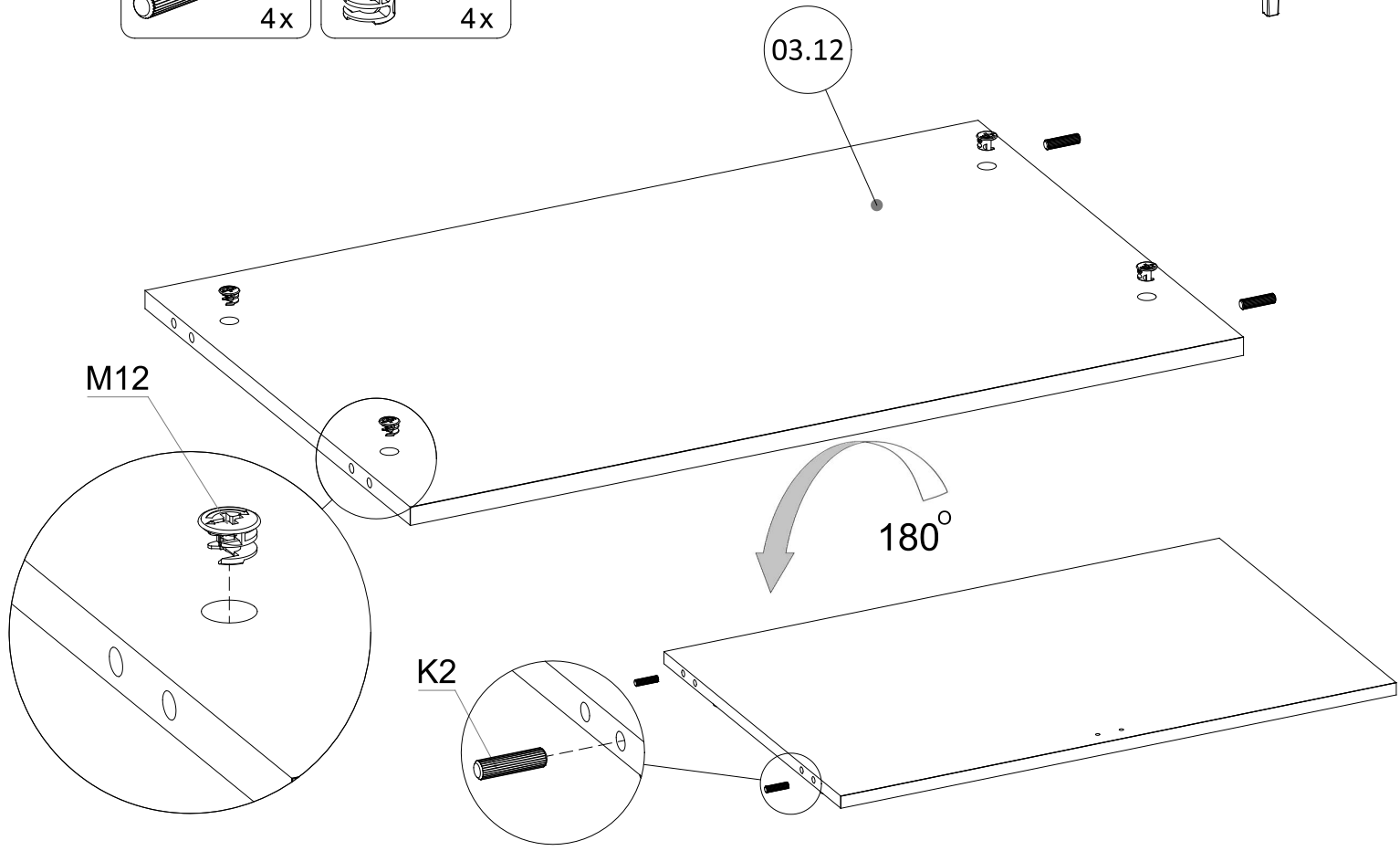
K2

M12

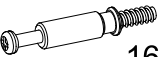
SO-01

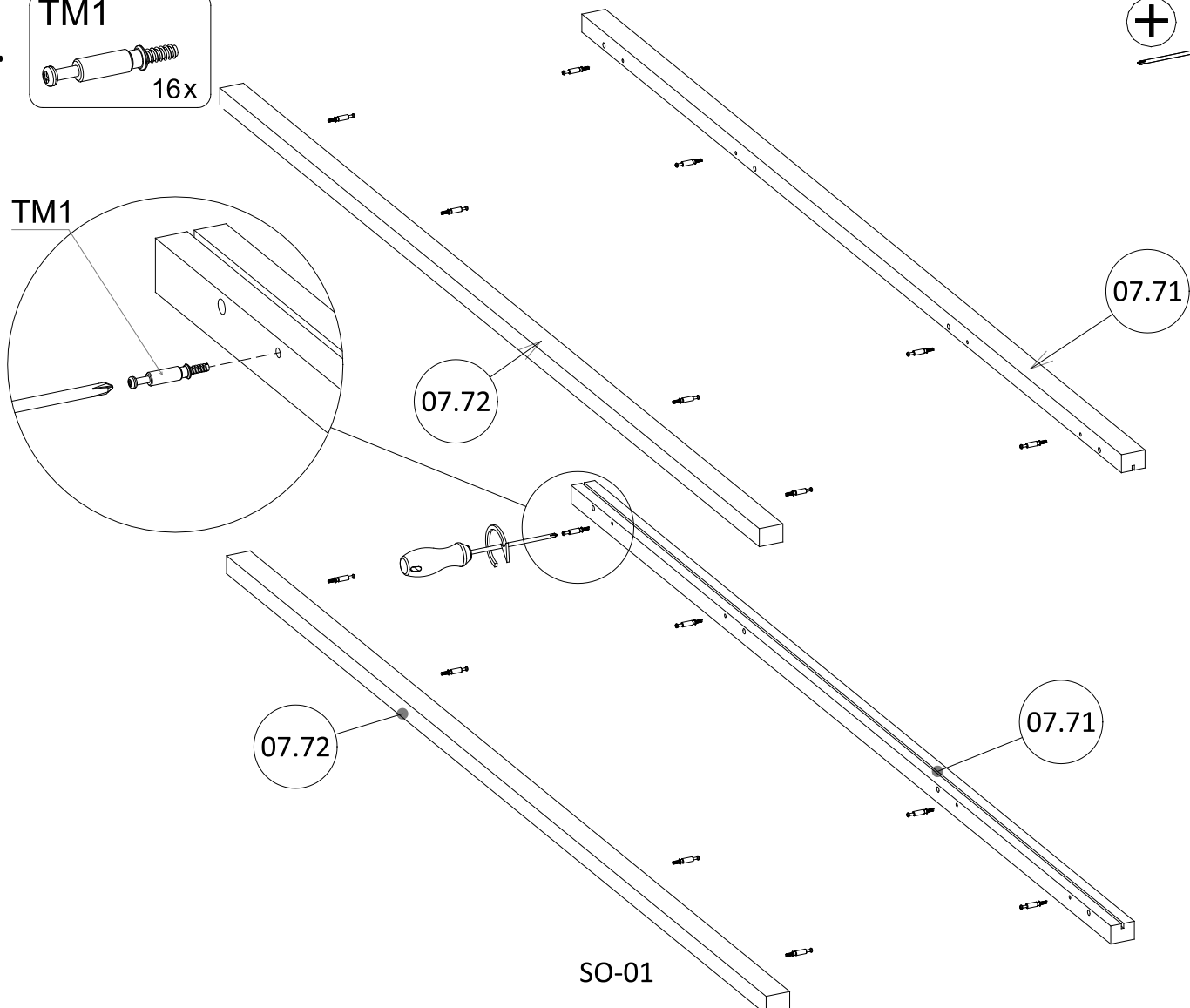
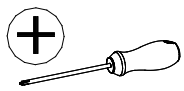
3

K2	8x30	M12 Ø15x12
	4x	
		4x



4

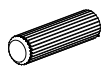

TM1	16x
	

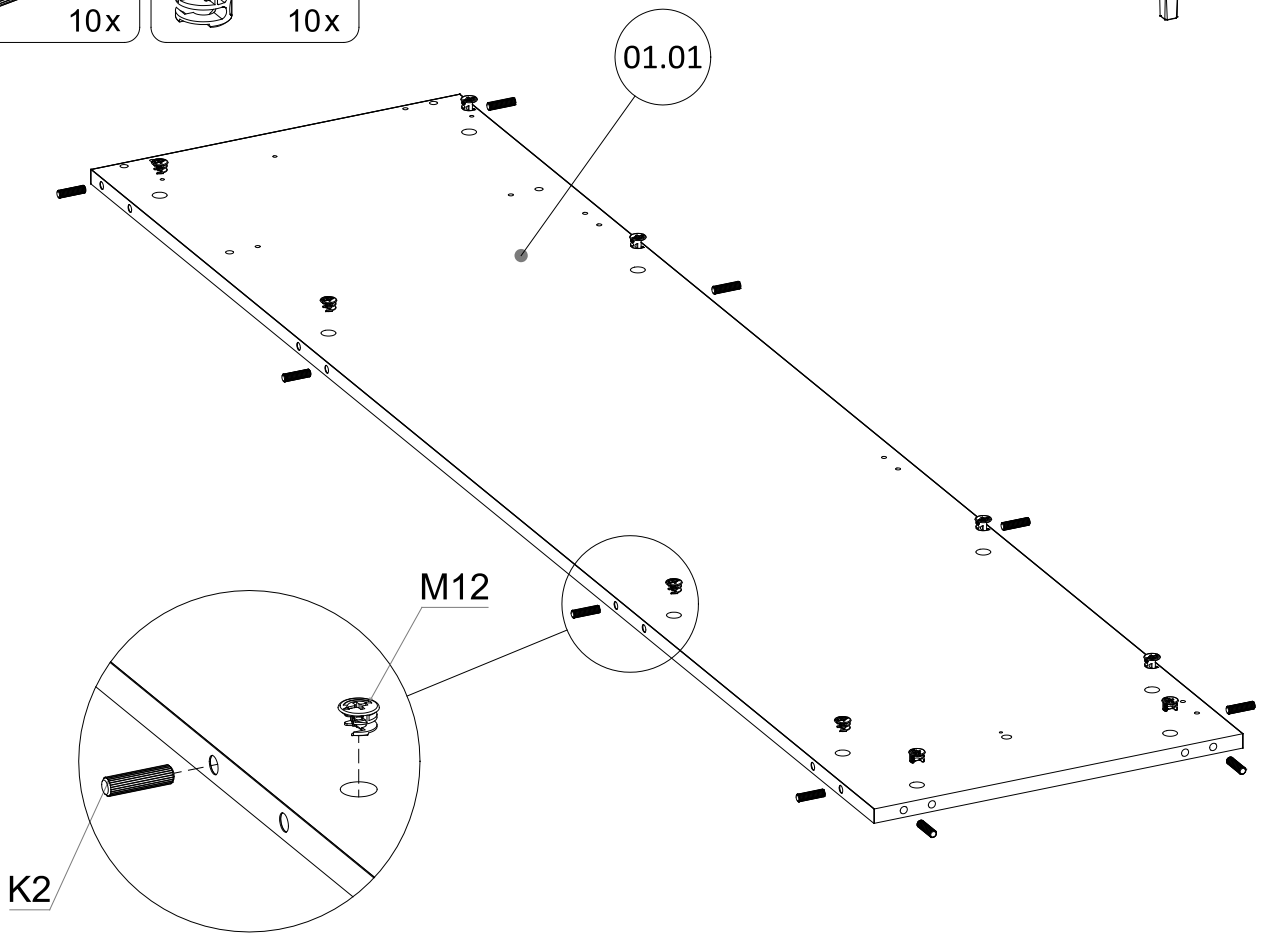


SO-01

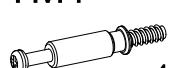

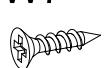
5

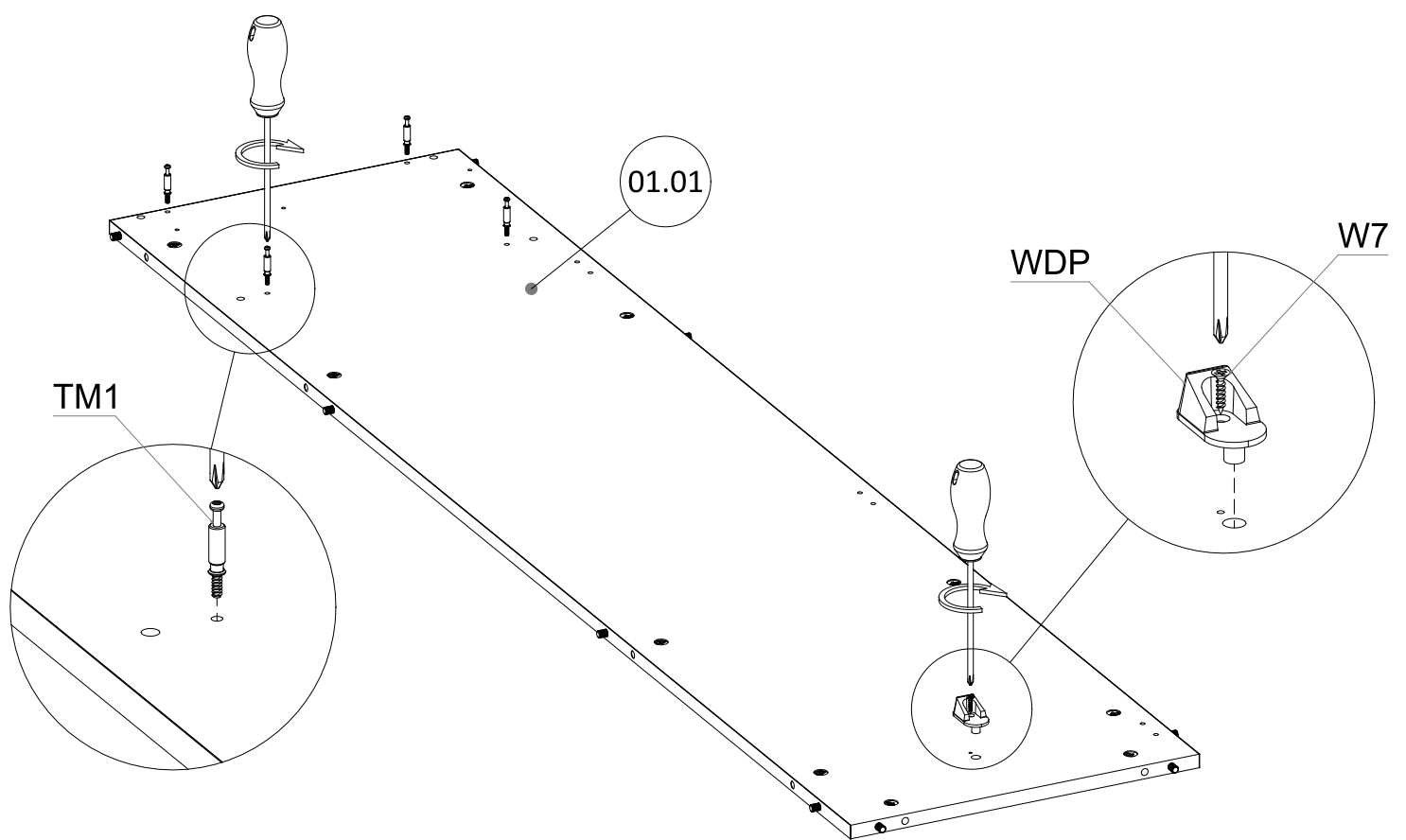
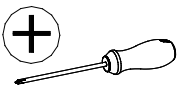
5

K2	8x30	M12 Ø15x12
	10x	
		10x



6

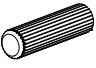

TM1	WDP	W7 4x13
		
4x	1x	1x

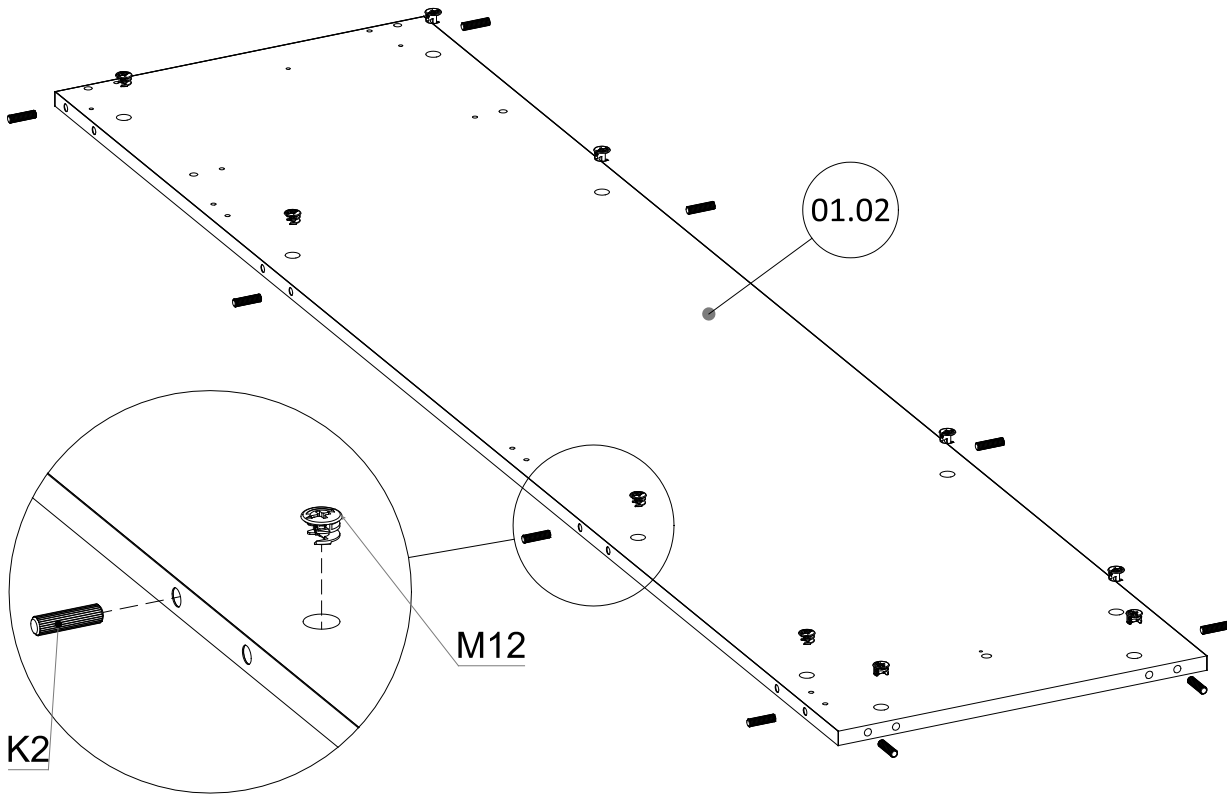


SO-01

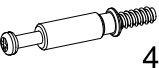


6

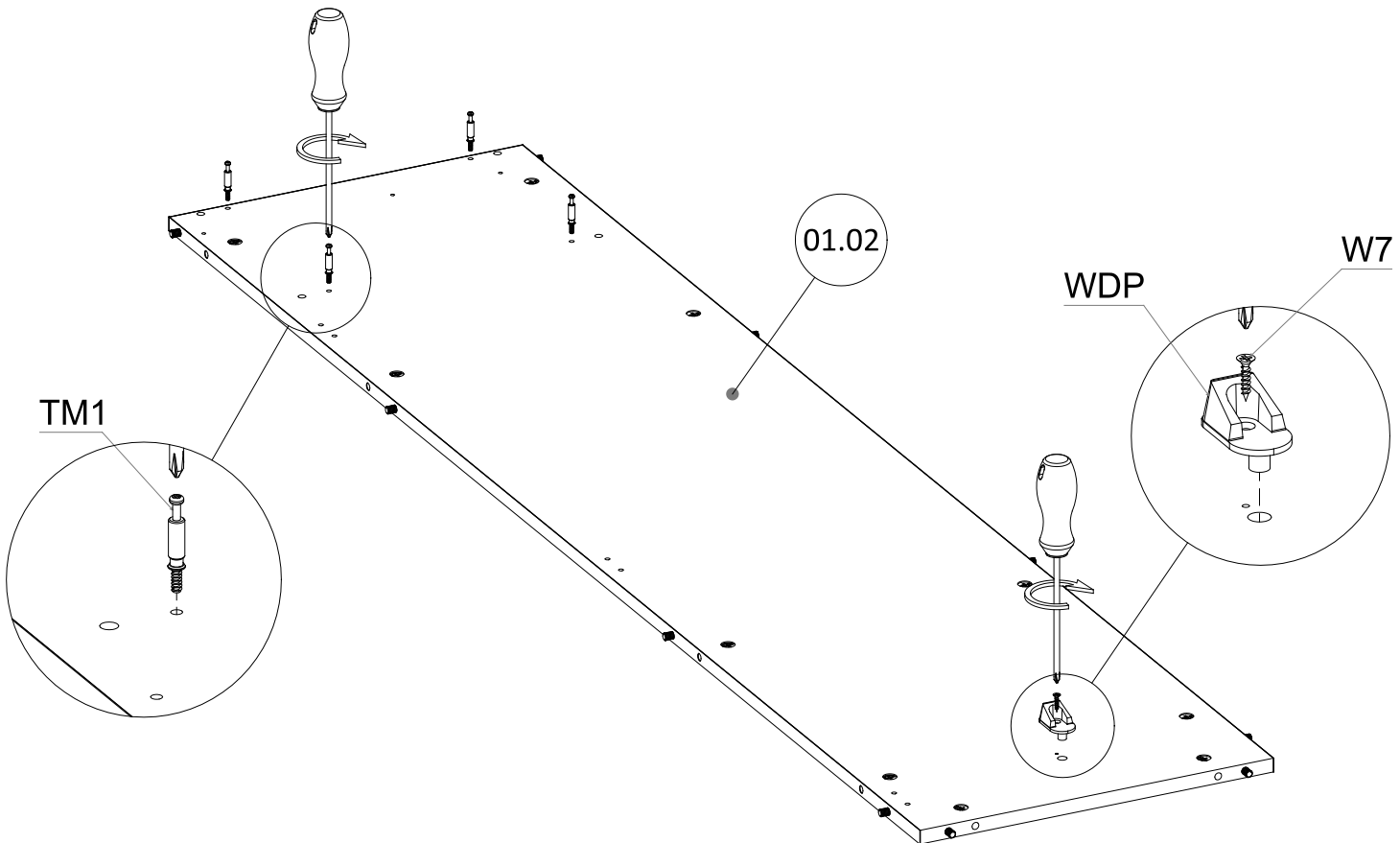
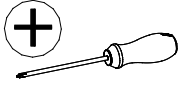
7

K2	8x30	M12 Ø15x12
	10x	
		10x



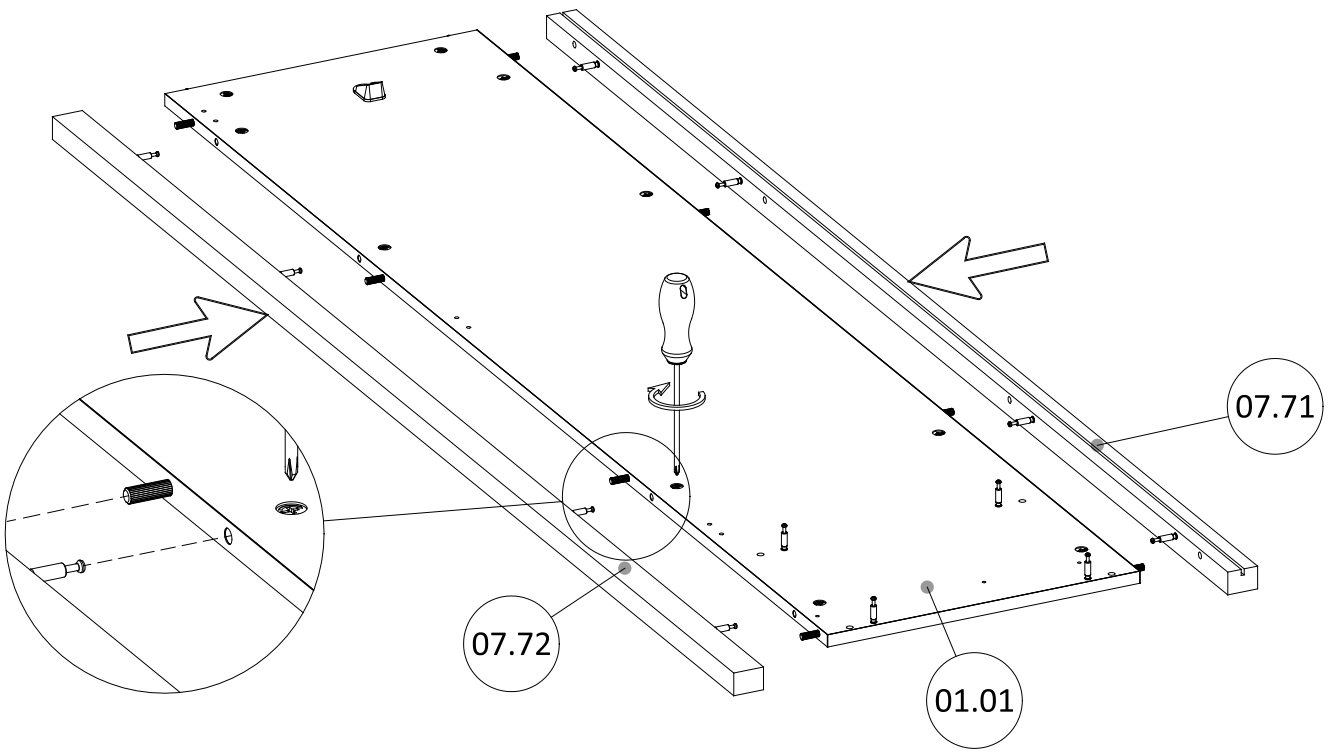
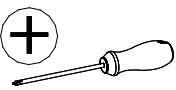
8

TM1	WDP	W7 4x13
		
4x	1x	1x



9

NA20 Ø20
318
6x



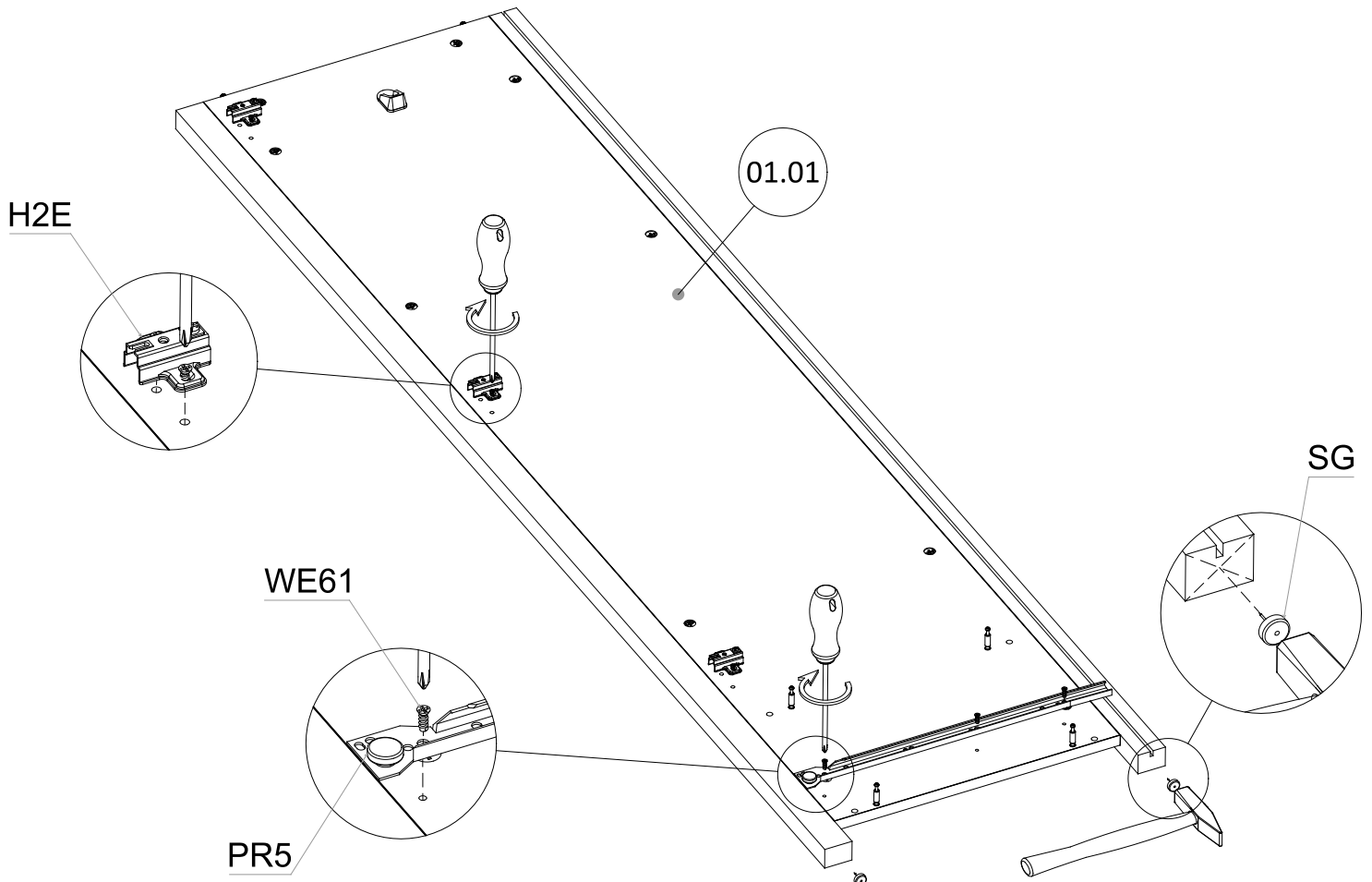
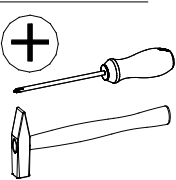
10

SG 2x

H2E 3x

WE61 5x13 3x

PR5 1x

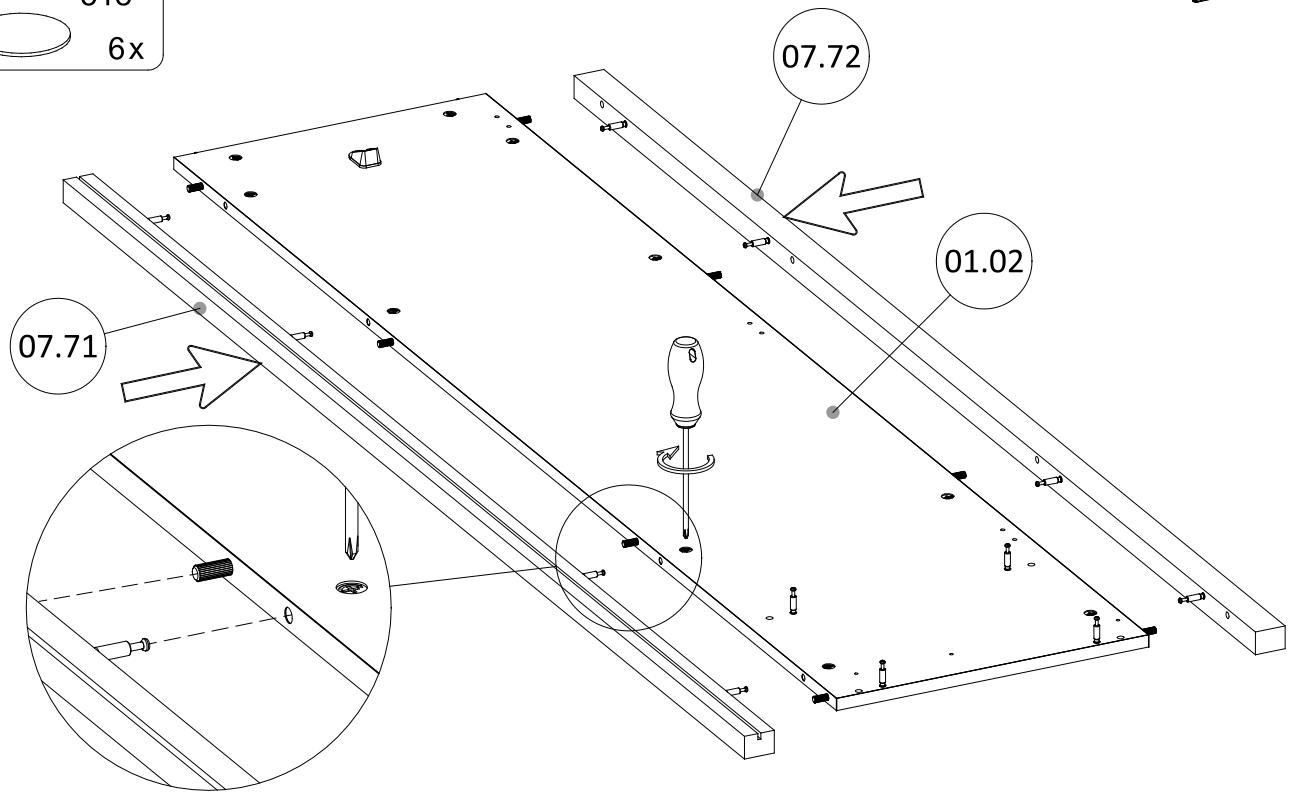
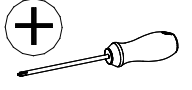


SO-01

8

11

NA20 Ø20
318
6x



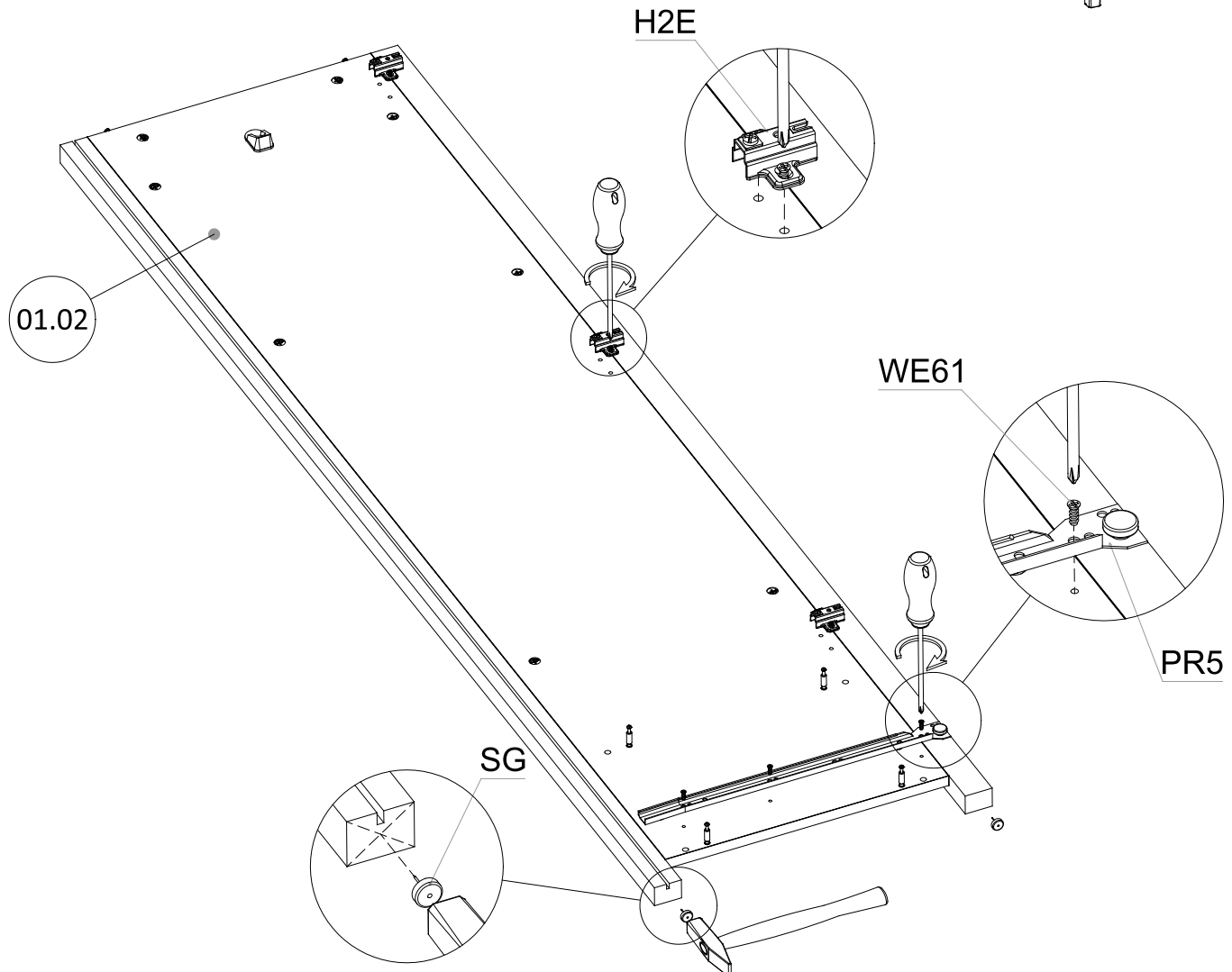
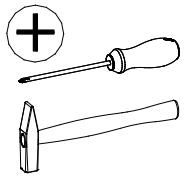
12

SG
2x

H2E
3x

WE61 5x13
3x

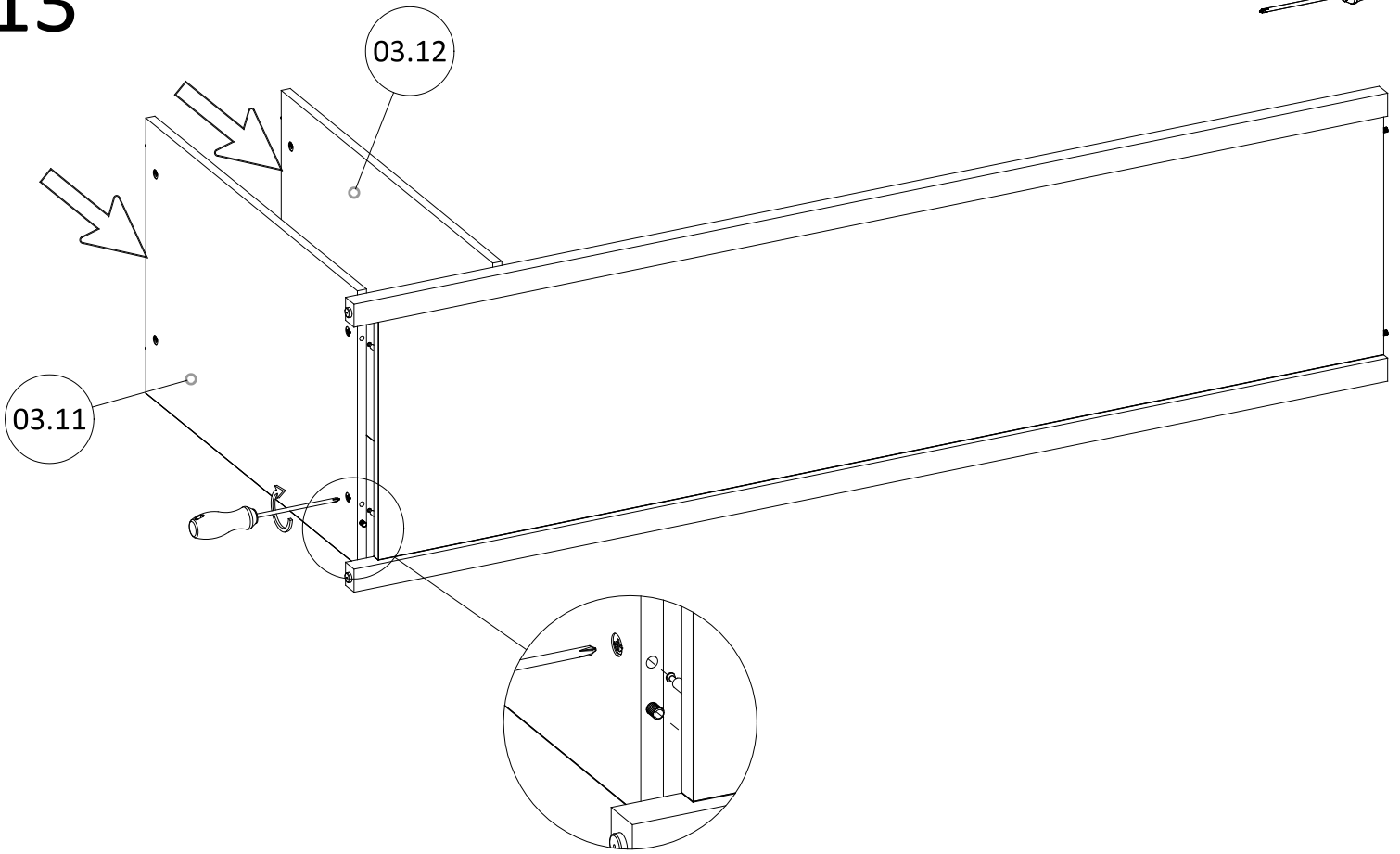
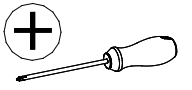
PR5
1x



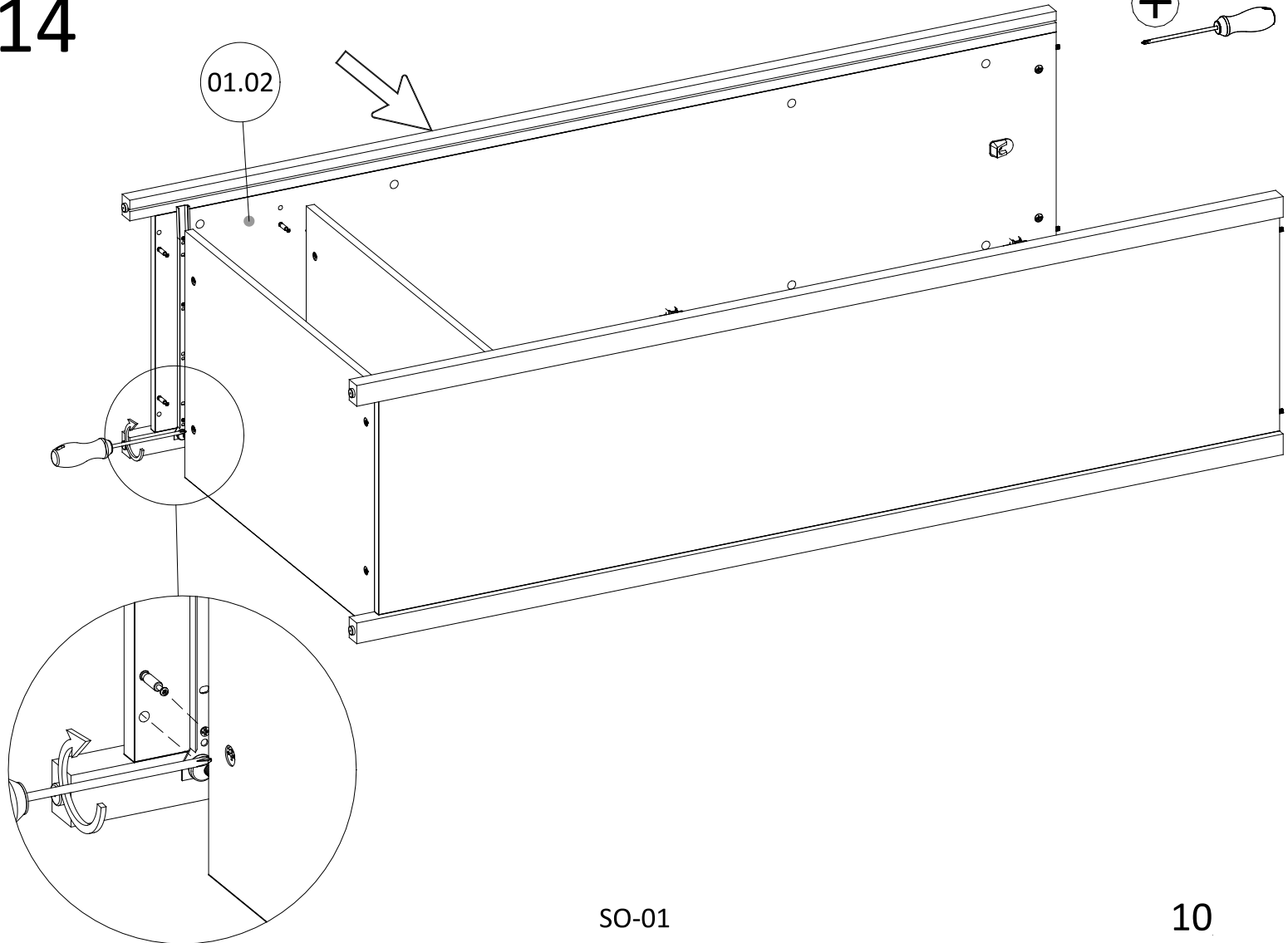
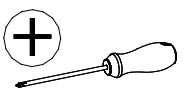
SO-01

9

13

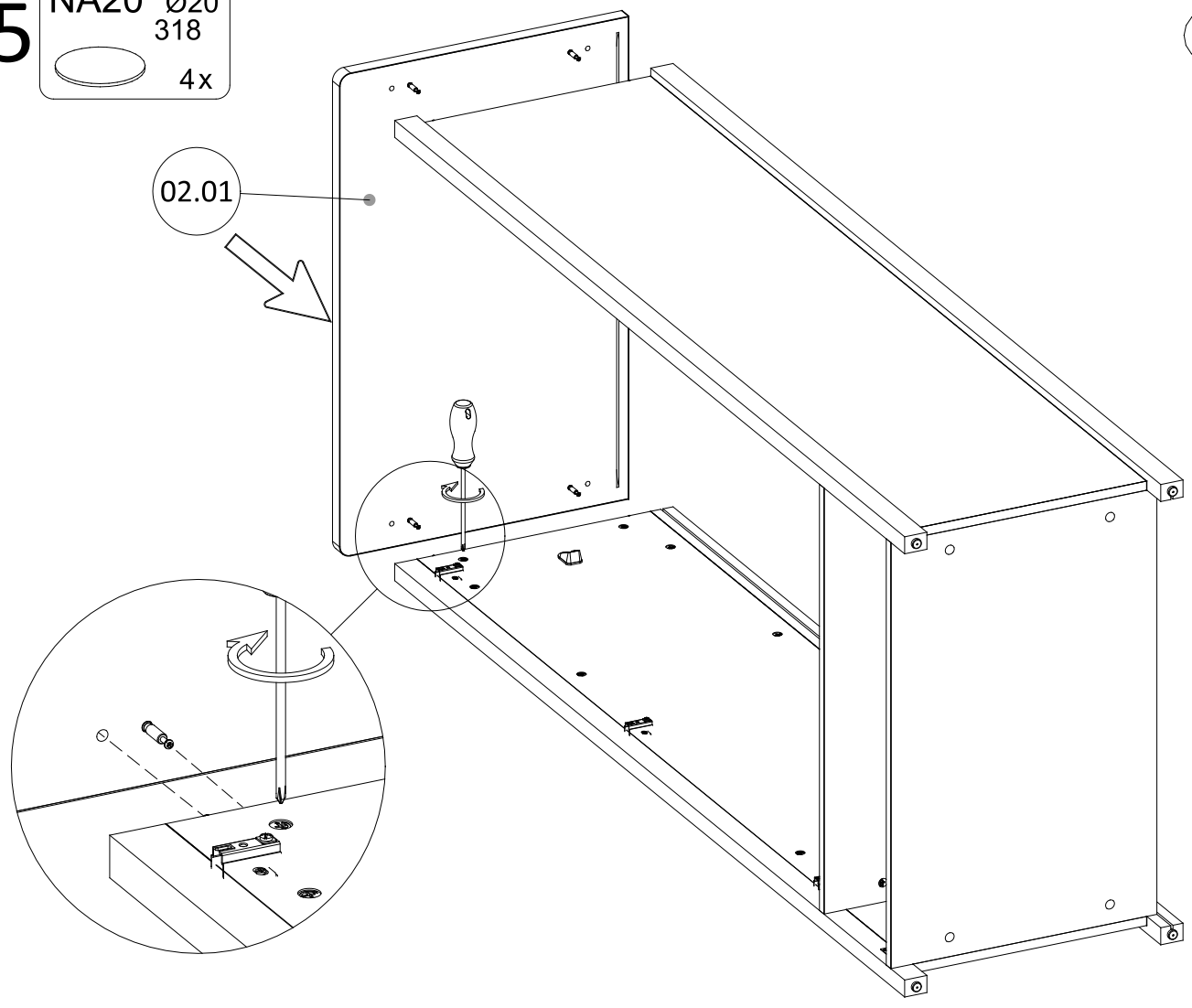
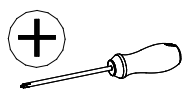


14



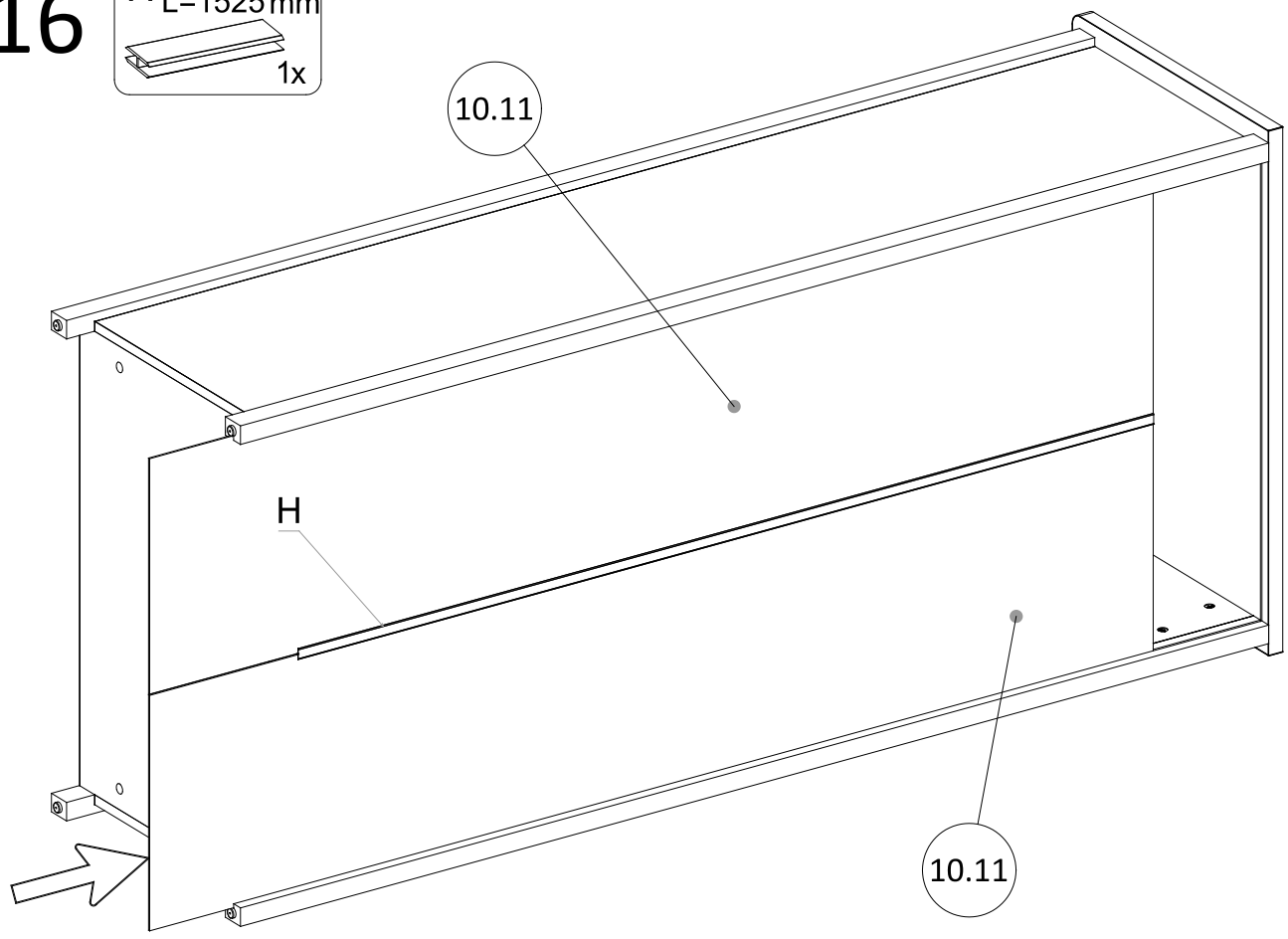
15

NA20 Ø20
318
4x



16

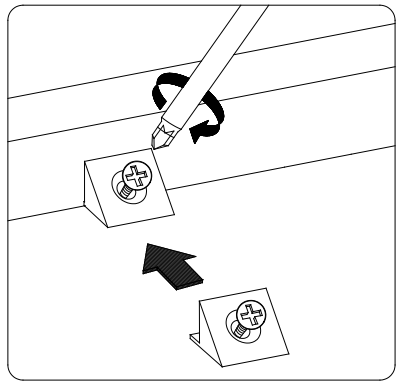
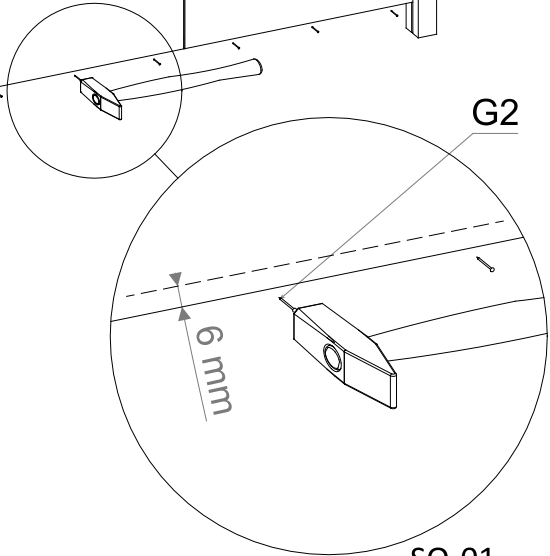
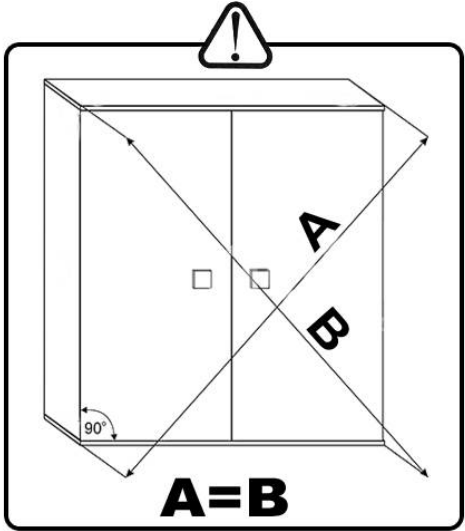
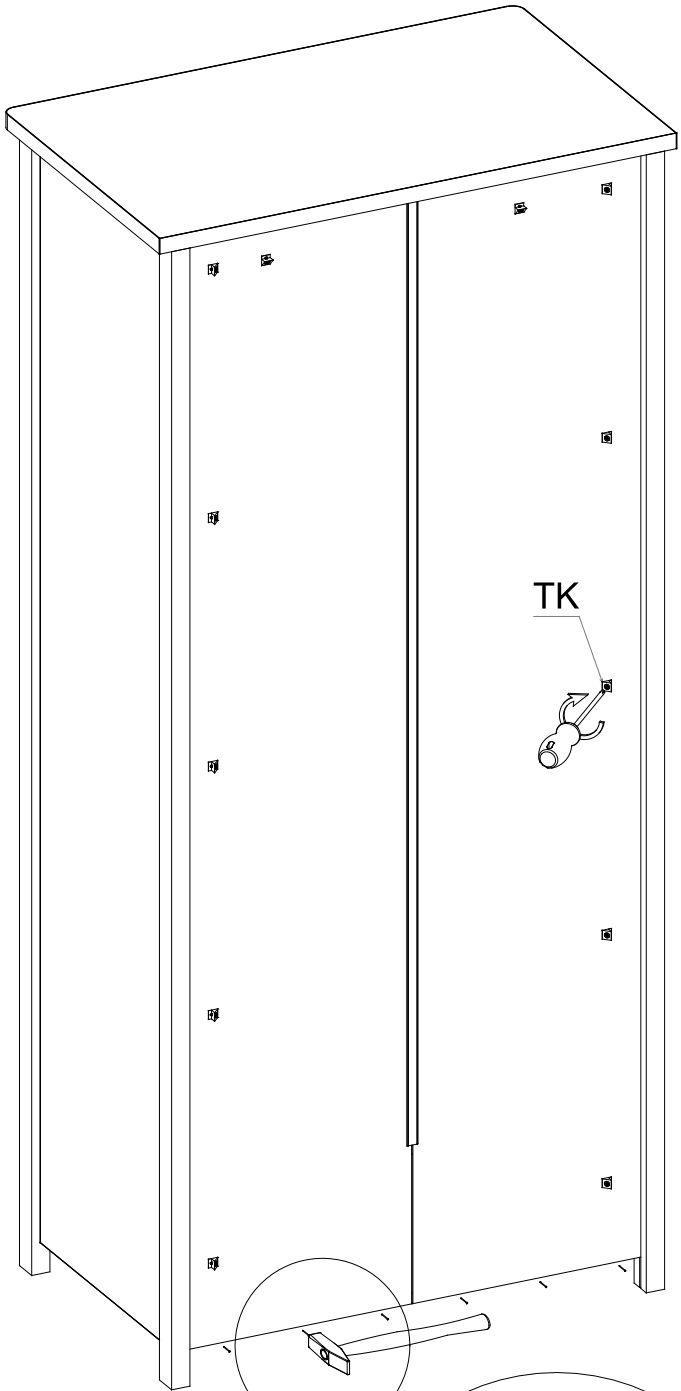
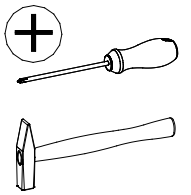
H_L=1525mm
1x



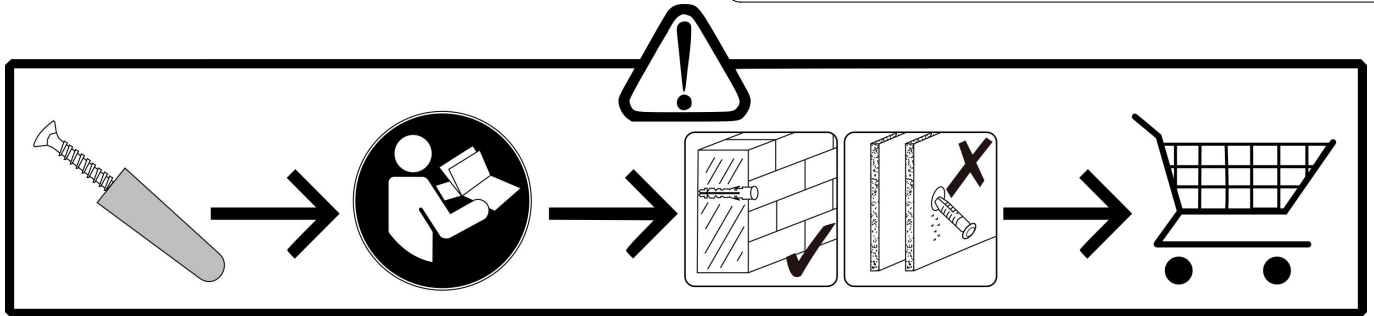
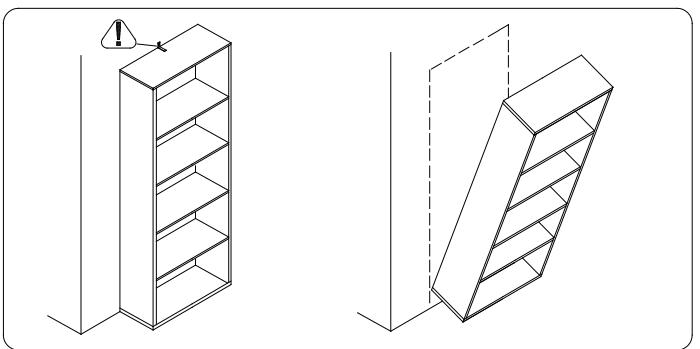
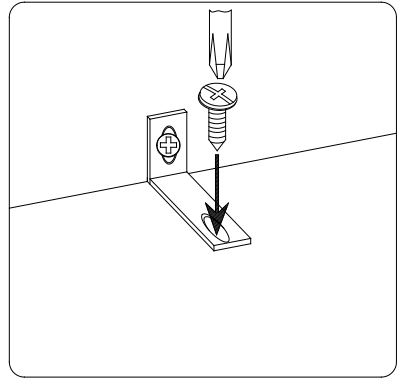
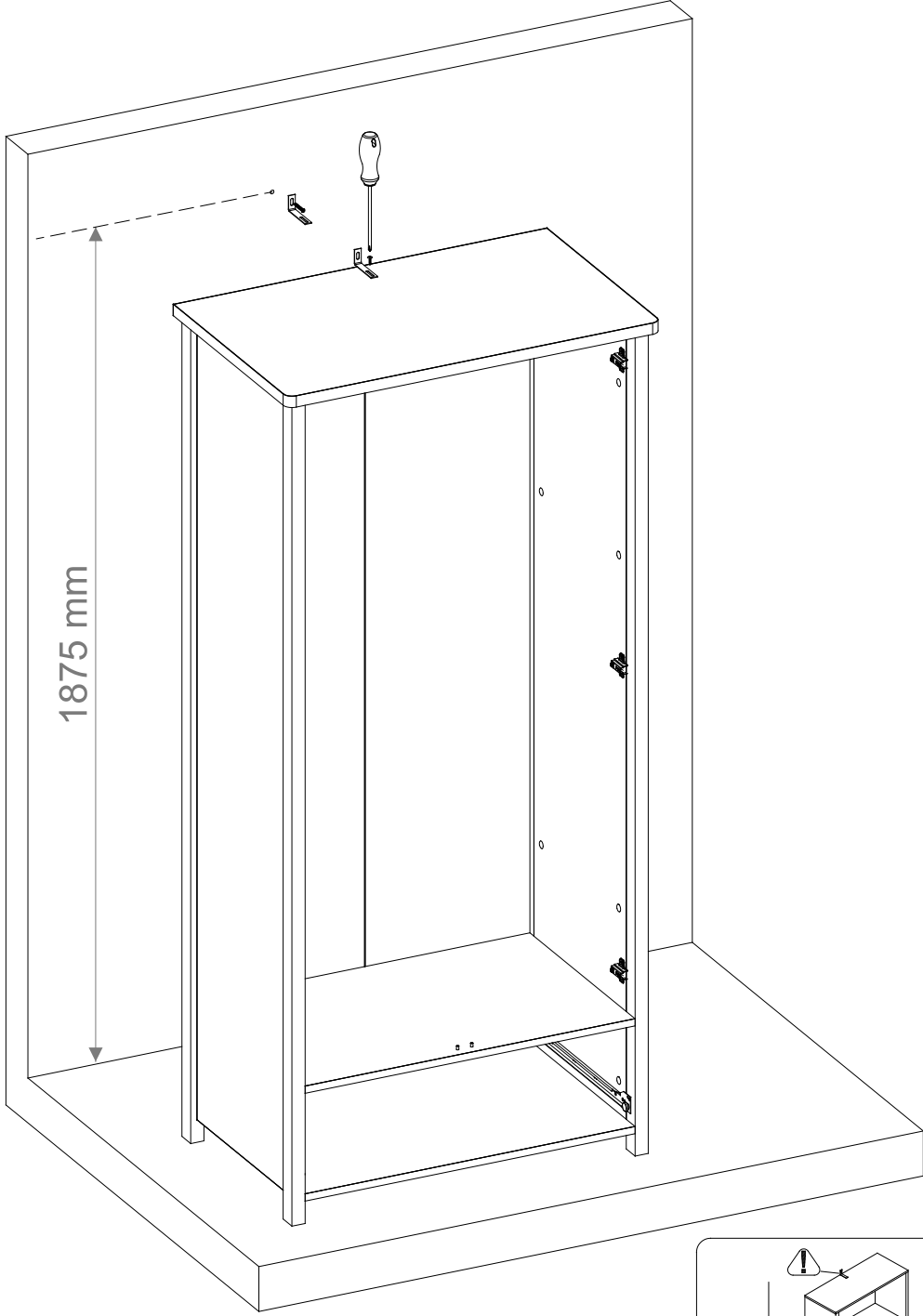
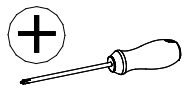
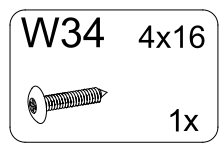
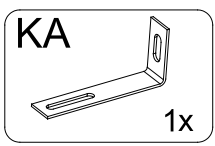
17

G2 2,0x20
6x

TK
12x



18



SO-01

13

19

D L=744 mm
1x

PP6 Ø5
2x

PP6

D

03.12

20

K1 6x30
2x2x

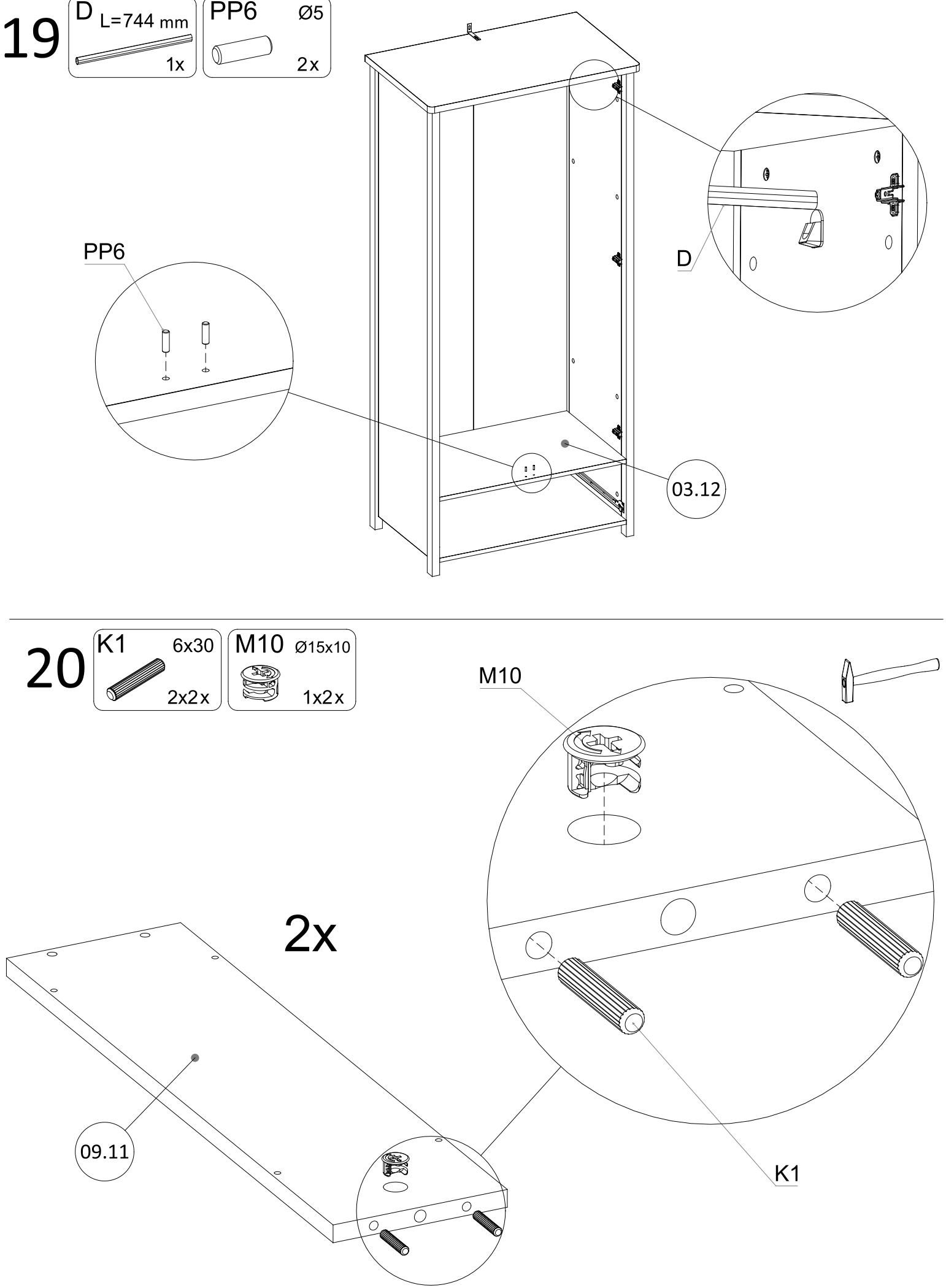
M10 Ø15x10
1x2x

2x

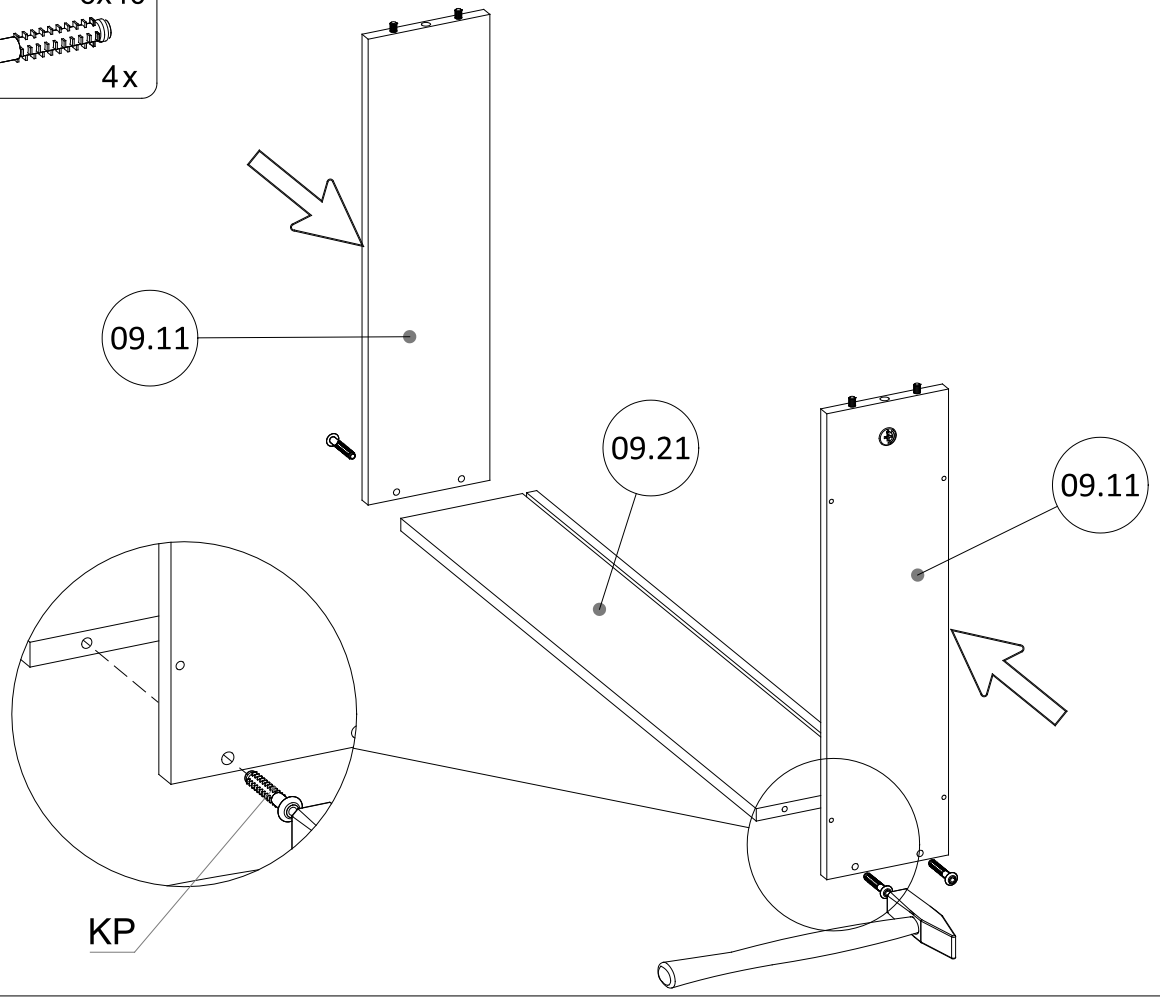
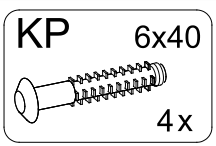
09.11

M10

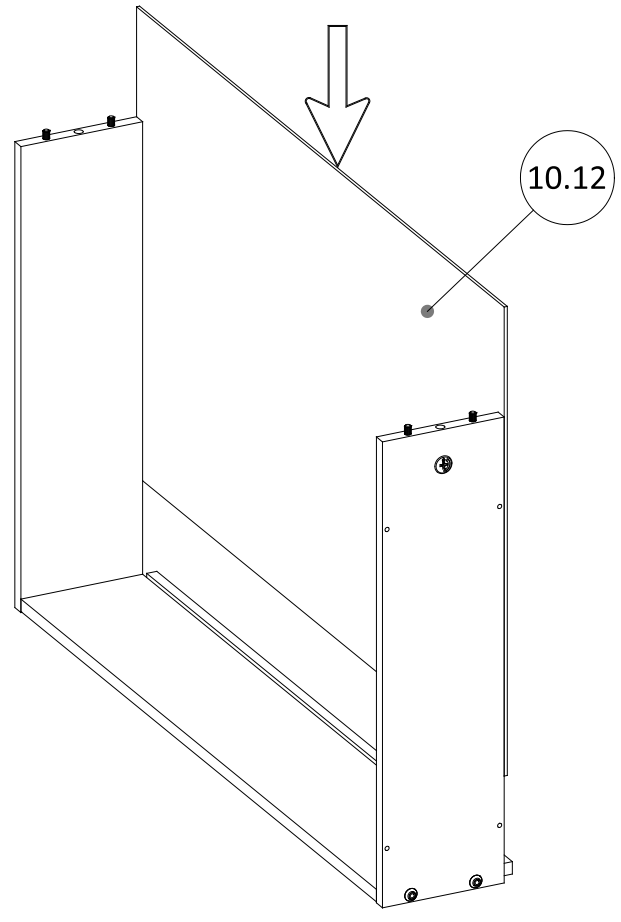
K1



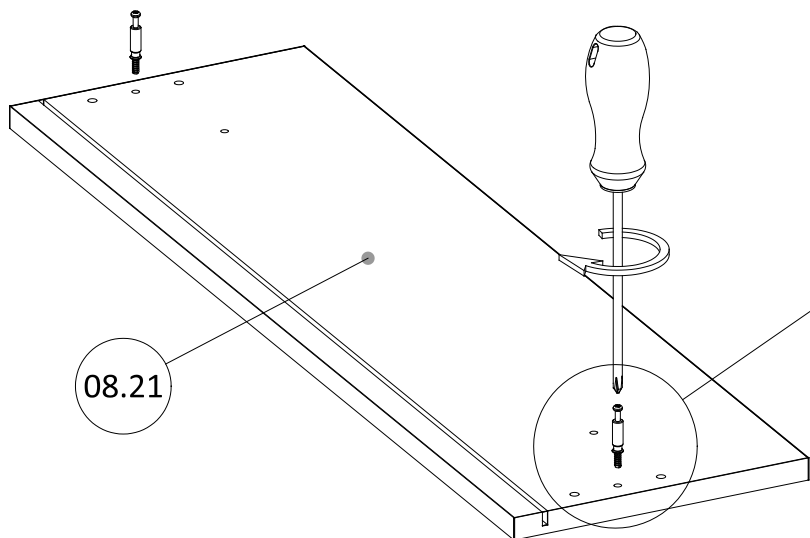
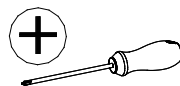
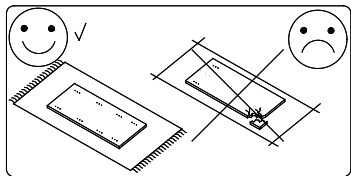
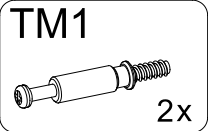
21



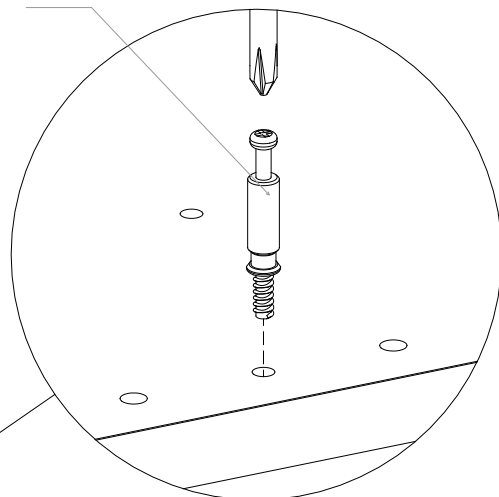
22



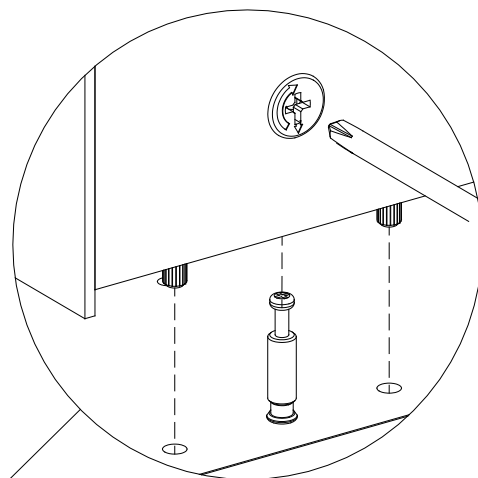
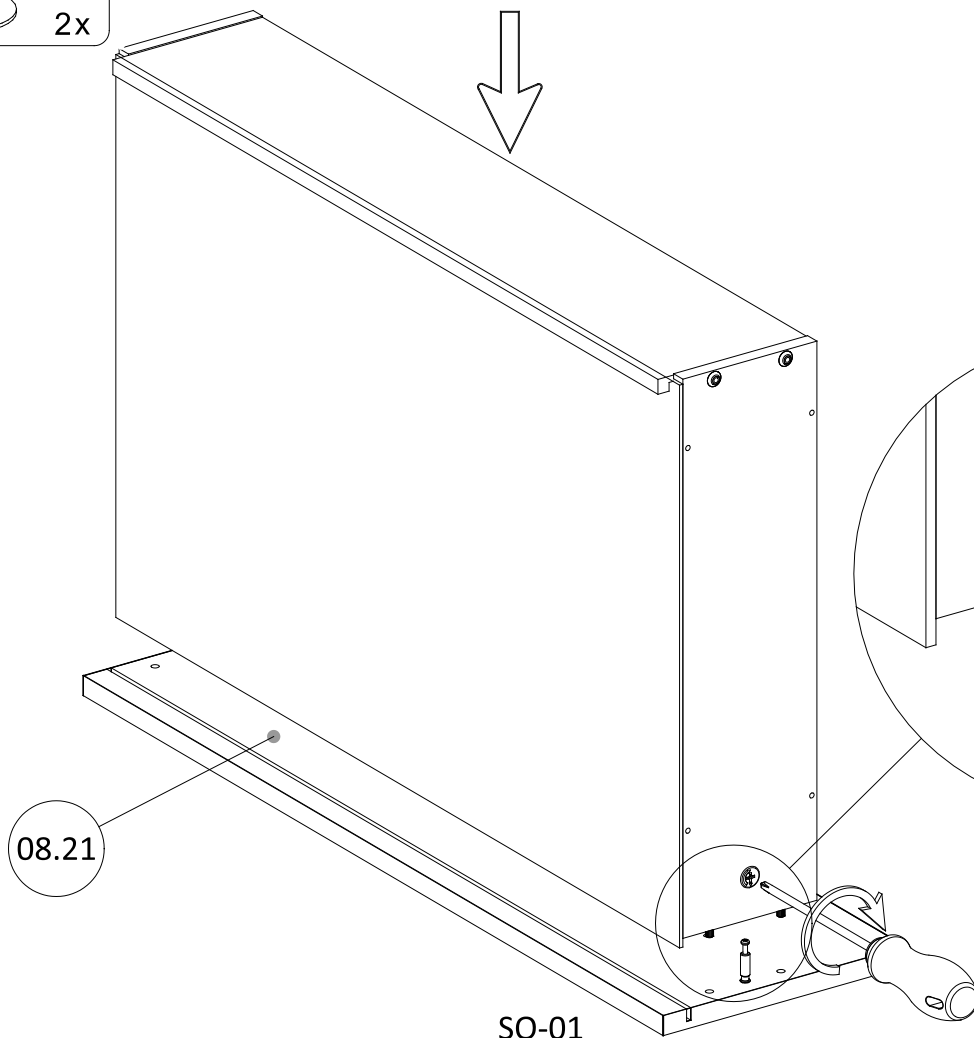
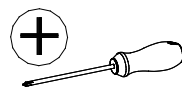
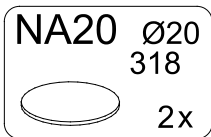
23



TM1

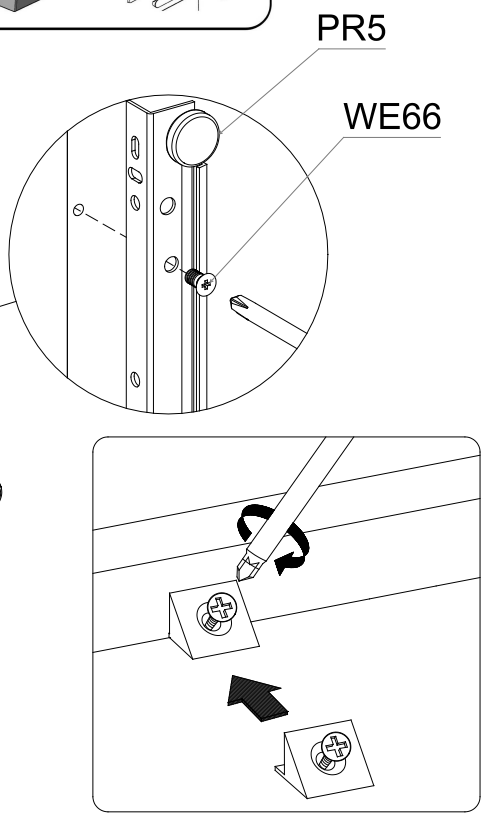
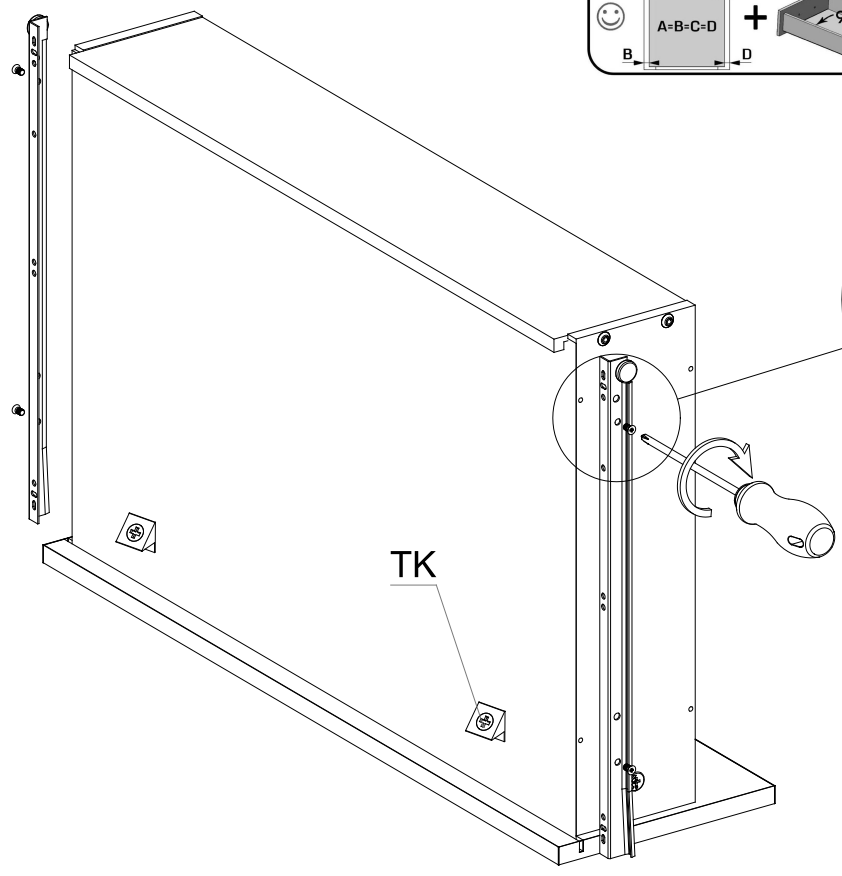
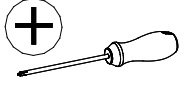
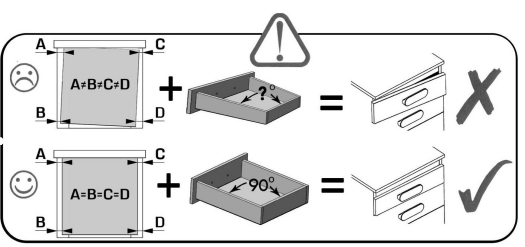
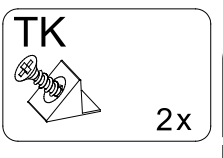
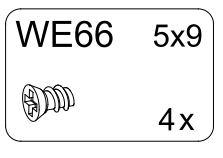
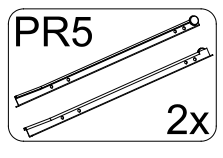


24

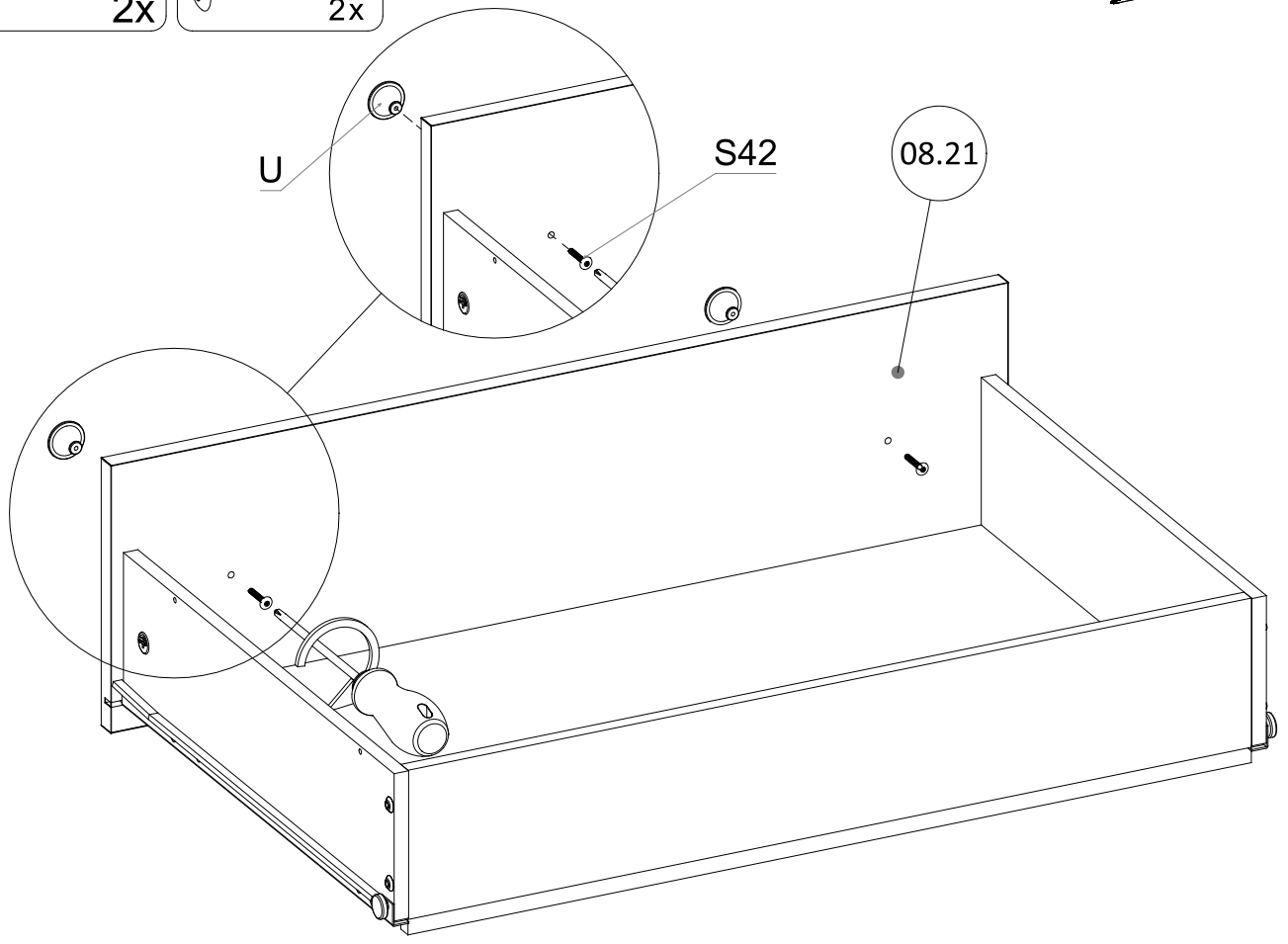
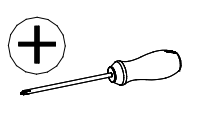
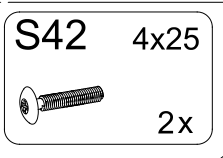
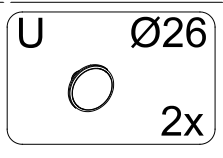


SO-01

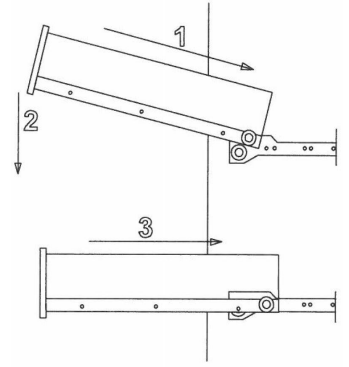
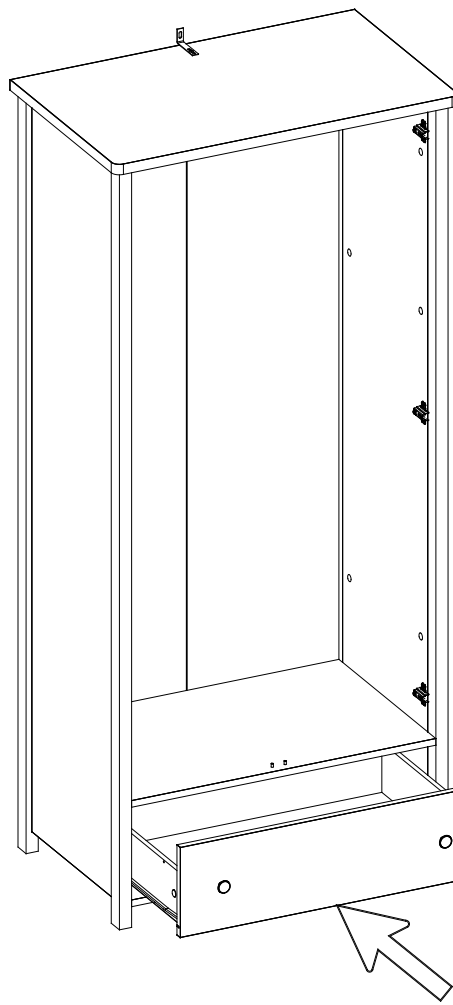
25



26

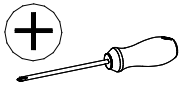
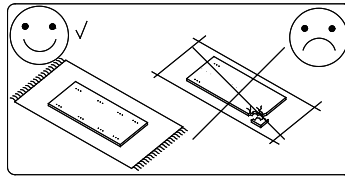
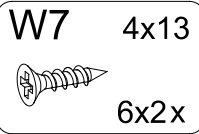
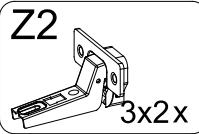


27

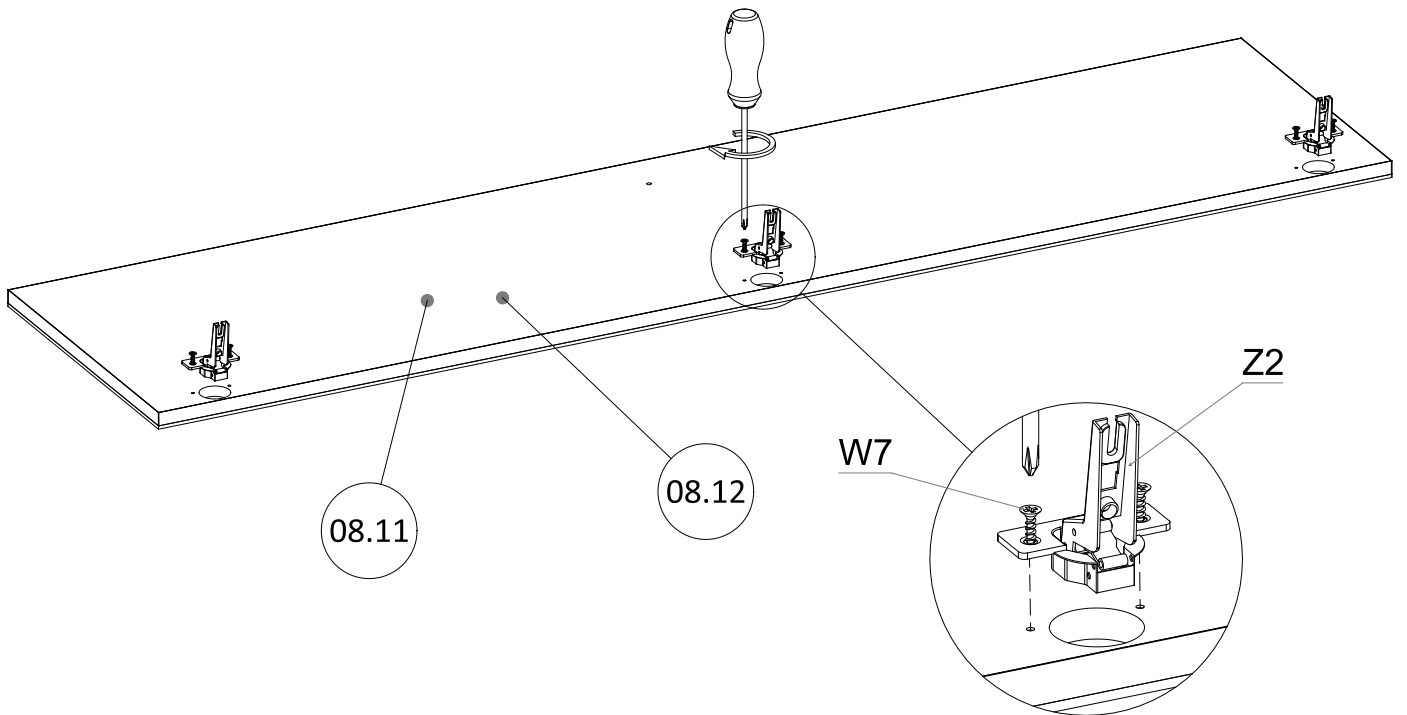


08.21


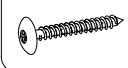
28

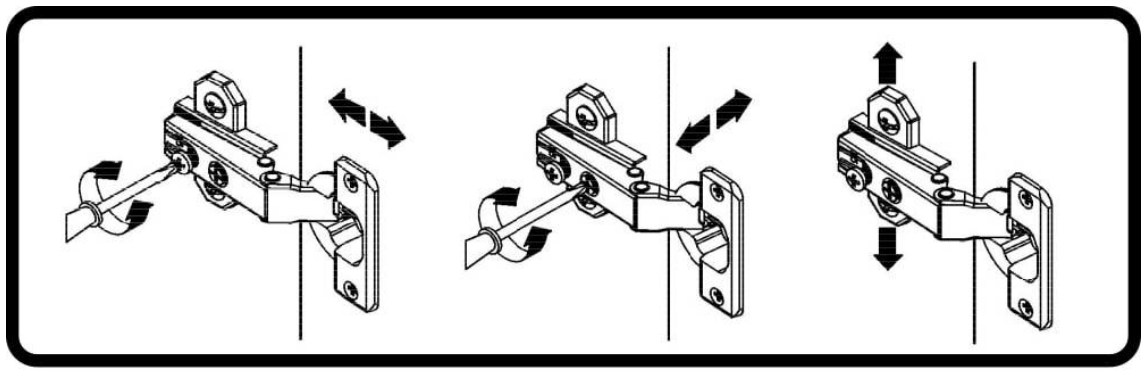
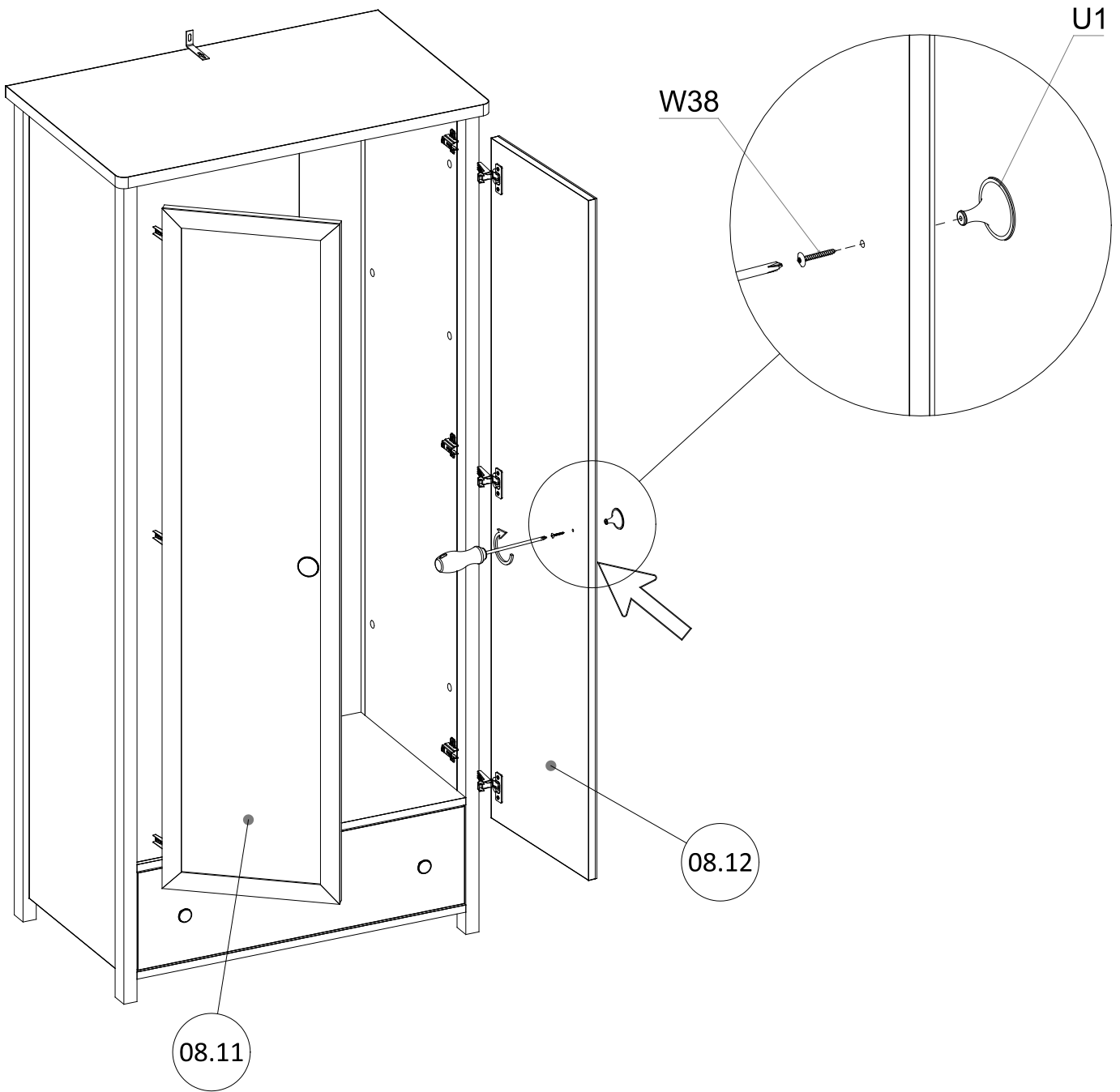
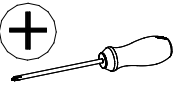


2x



29

U1	Ø45	W38	4x30
	2x		2x



SO-01