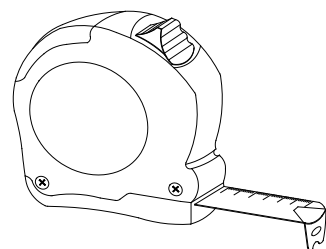
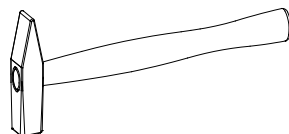
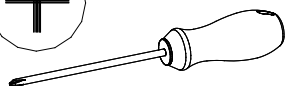
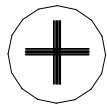
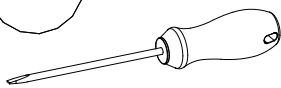
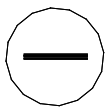
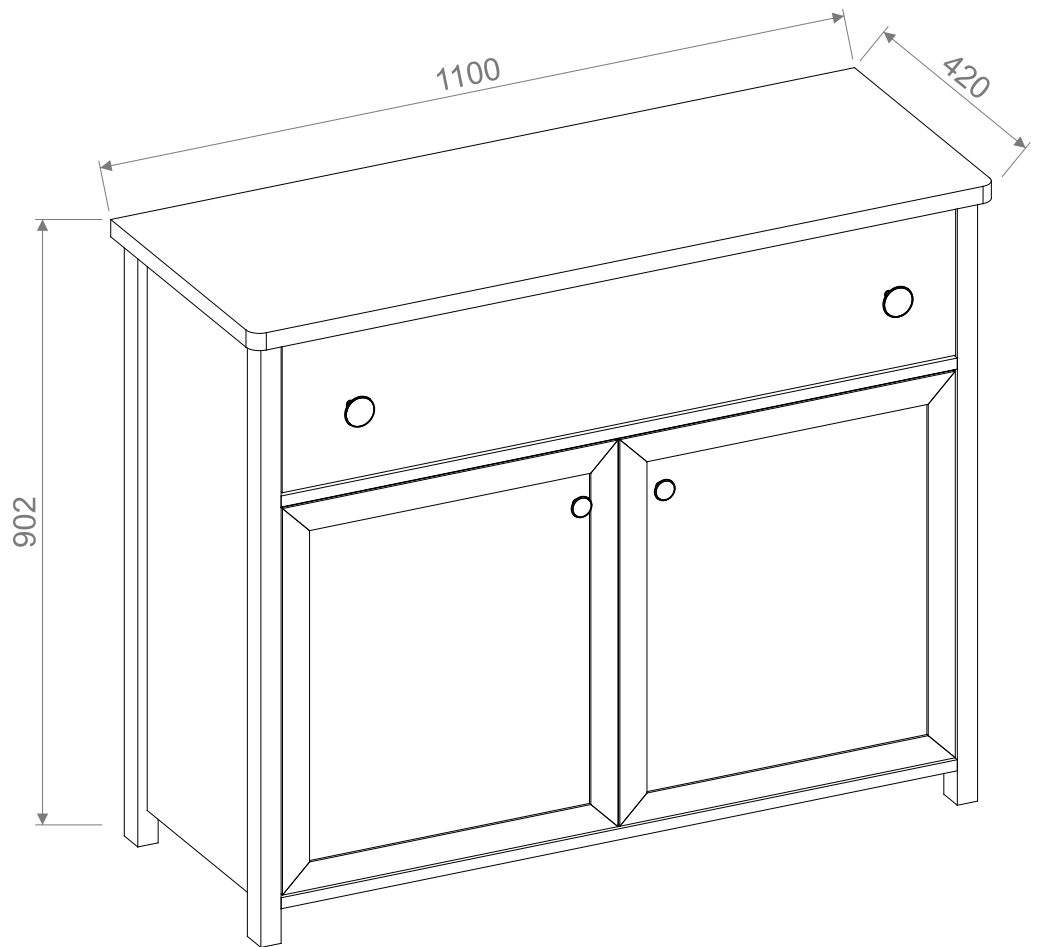
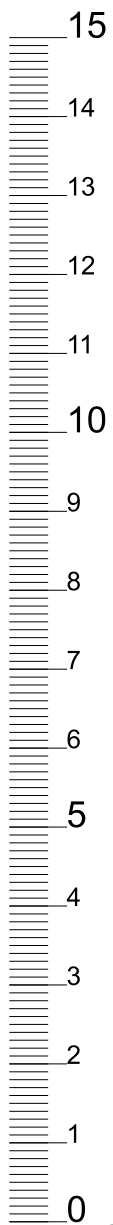


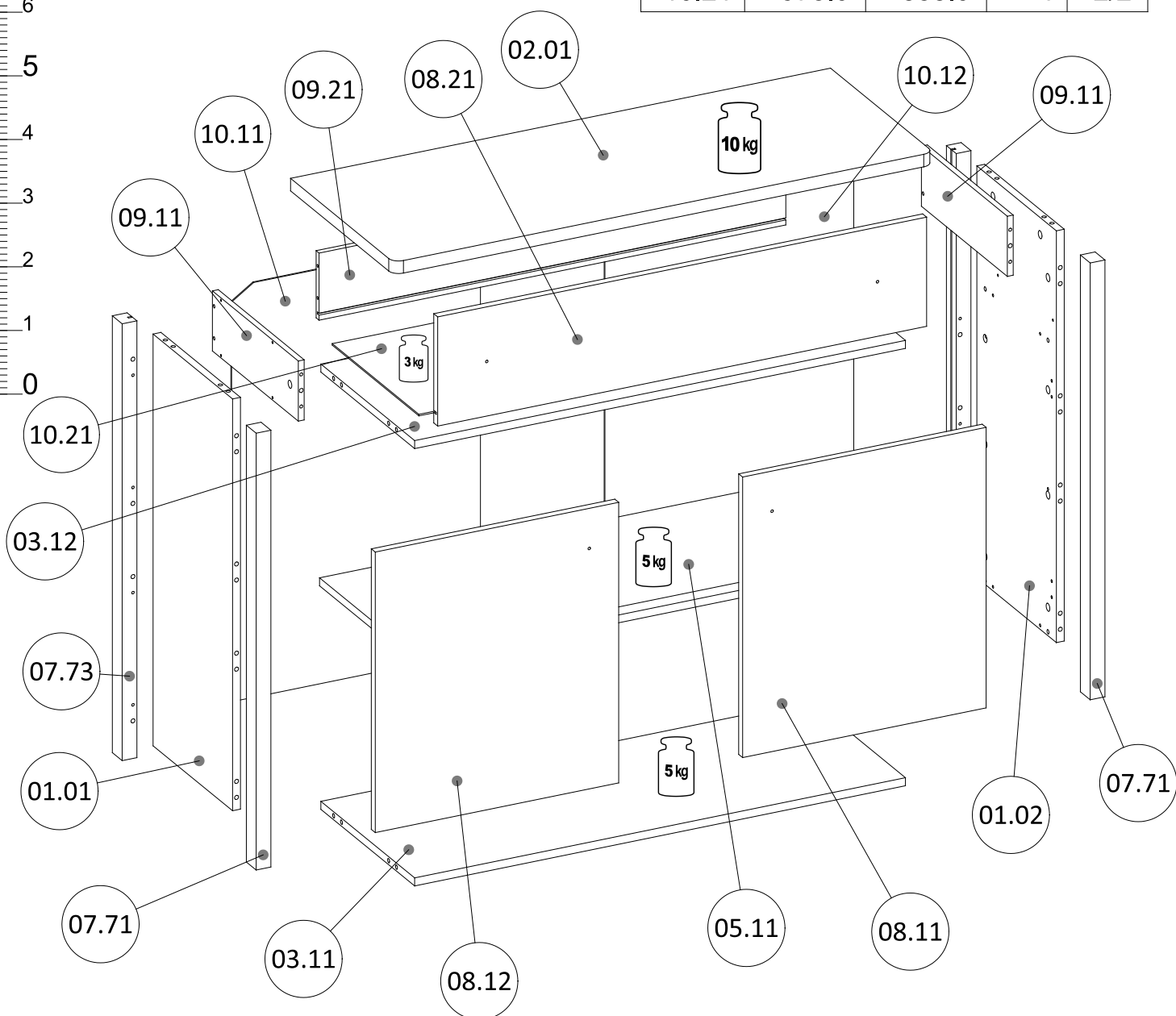


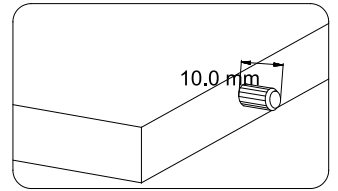
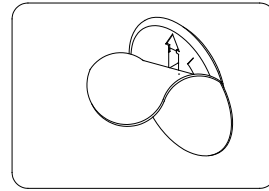
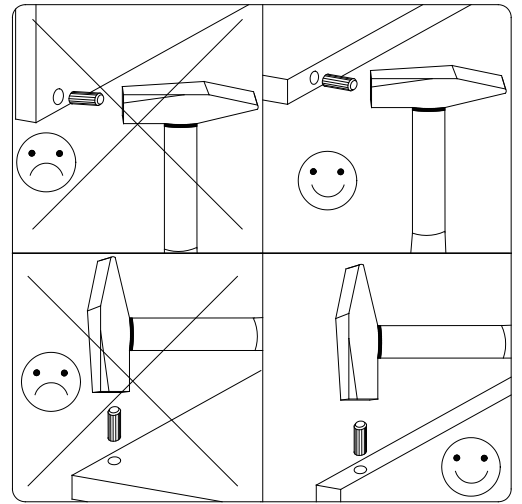
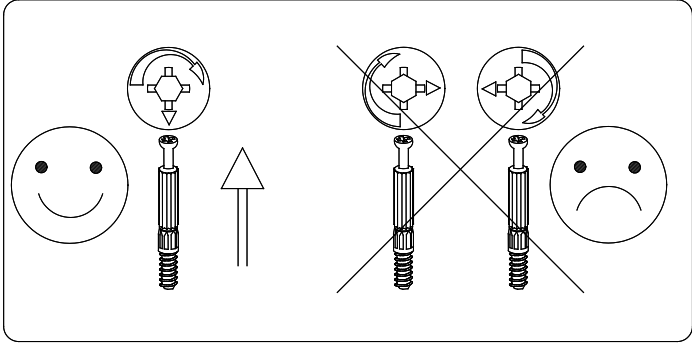
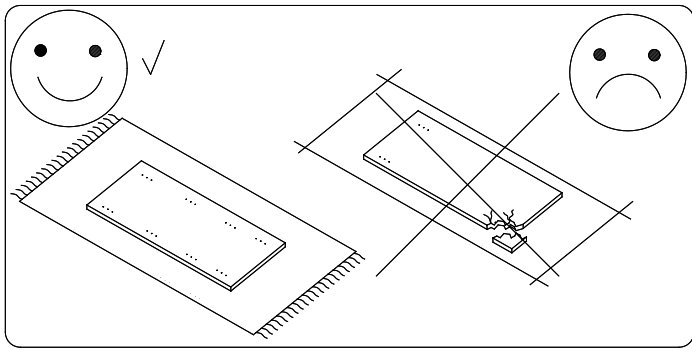
100 min







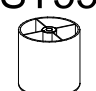
01.01	822.0	324.0	1	1/2
01.02	822.0	324.0	1	1/2
02.01	1100.0	420.0	1	1/2
03.11	1000.0	382.0	1	1/2
03.12	1000.0	382.0	1	1/2
05.11	1000.0	360.0	1	1/2
07.71	872.0	40.0	2	1/2
07.73	872.0	40.0	2	1/2
08.11	560.0	496.0	1	2/2
08.12	560.0	496.0	1	2/2
08.21	996.0	218.0	1	2/2
09.11	350.0	120.0	2	2/2
09.21	951.0	134.0	1	2/2
10.11	828.0	507.0	1	2/2
10.12	828.0	507.0	1	2/2
10.21	975.0	353.0	1	2/2







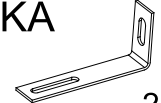
**TK**  
  
 13x

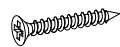
**PP6** Ø5  
  
 4x


**ST55** Ø60  
 H=55  
  
 1x


**W38** 4x30  
  
 2x


**W34** 4x16  
  
 2x


**KA**  
  
 2x


**W10** 4x35  
  
 1x


**G2** 2,0x20  
  
 6x


**W7** 4x13  
  
 8x


**WE61** 5x13  
  
 4x


**WE66** 5x9  
  
 4x

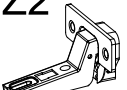
**NA20** Ø20  
 318  
  
 22x


**S42** 4x25  
  
 2x


**SG**  
  
 4x


**U** Ø26  
  
 2x


**U1** Ø45  
  
 2x

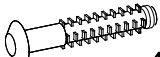
**Z2**  
  
 4x


**H2E**  
  
 4x


**PR3** L=350  
  
 1x


**K2** 8x30  
  
 28x

**K1** 6x30  
  
 4x

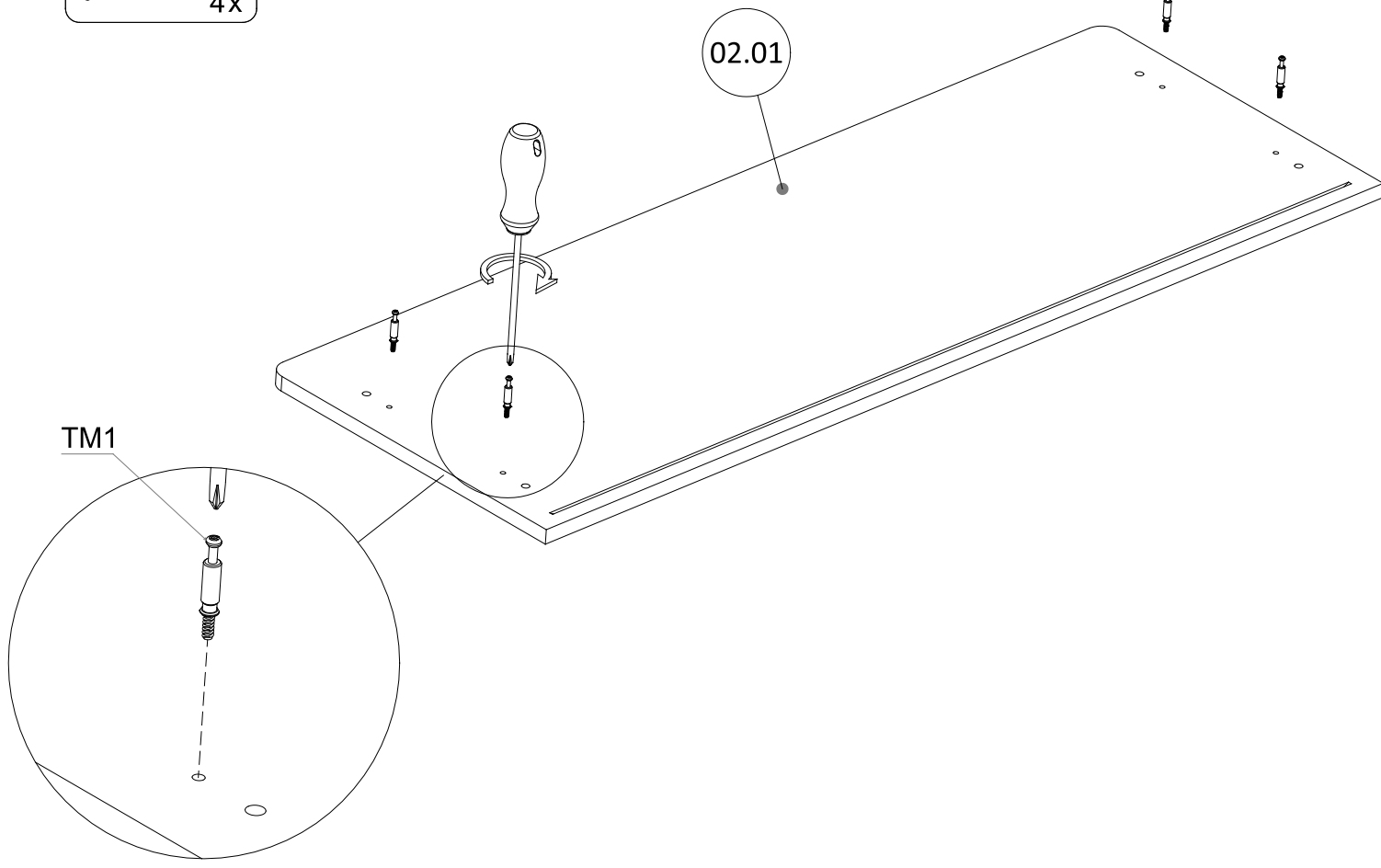
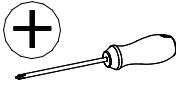
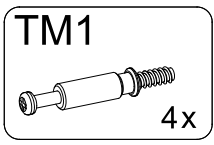
**KP** 6x40  
  
 4x

**M12** Ø15x12  
  
 28x

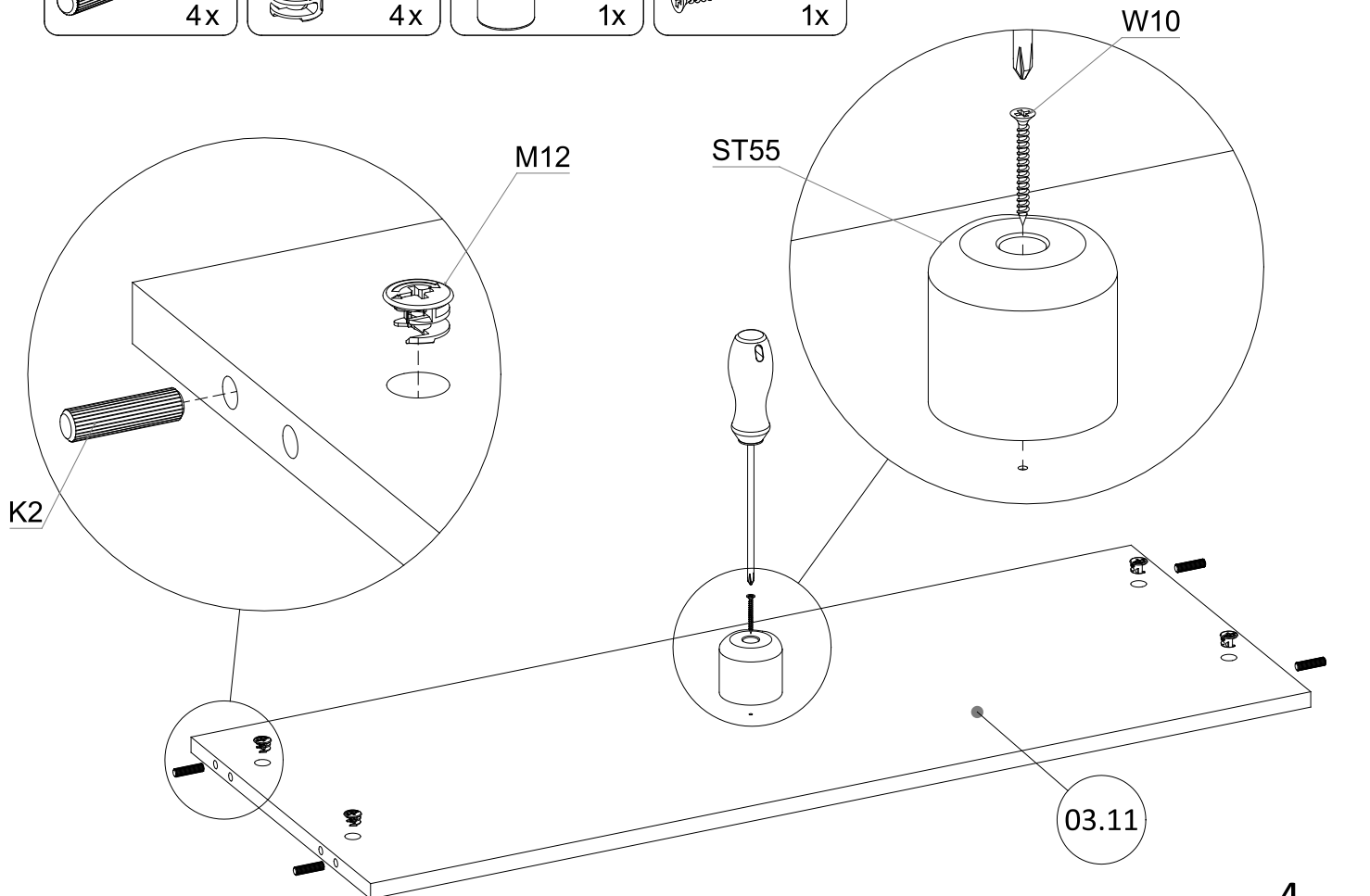
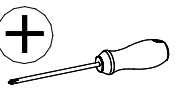
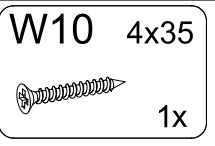
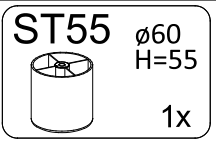
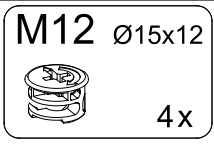
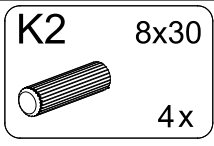
**M10** Ø15x10  
  
 2x

**TM1**  
  
 30x

1

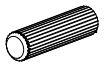


2


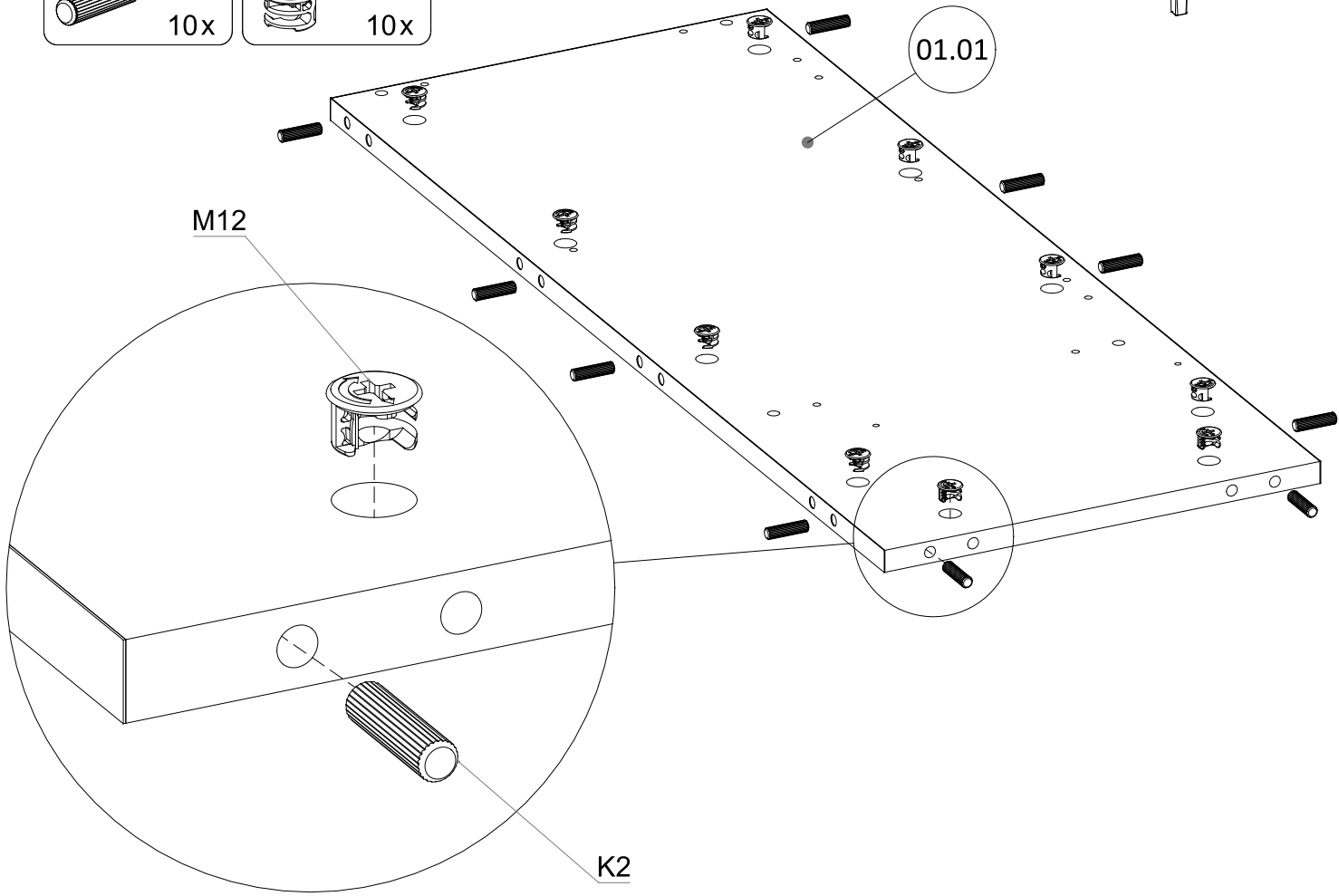


3

**K2** 8x30  
10x

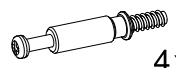


**M12** Ø15x12  
10x

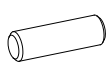
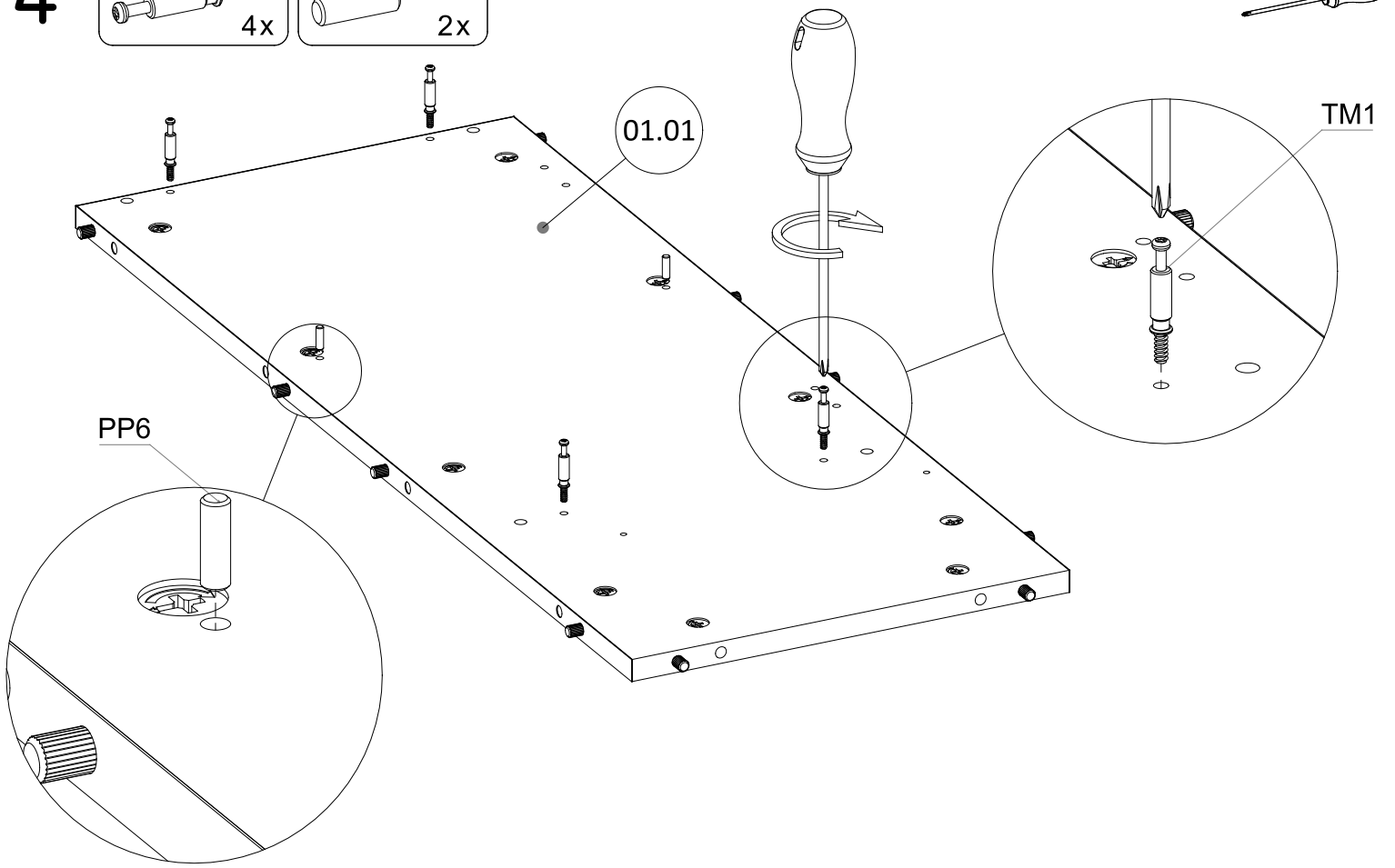
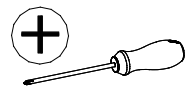



4

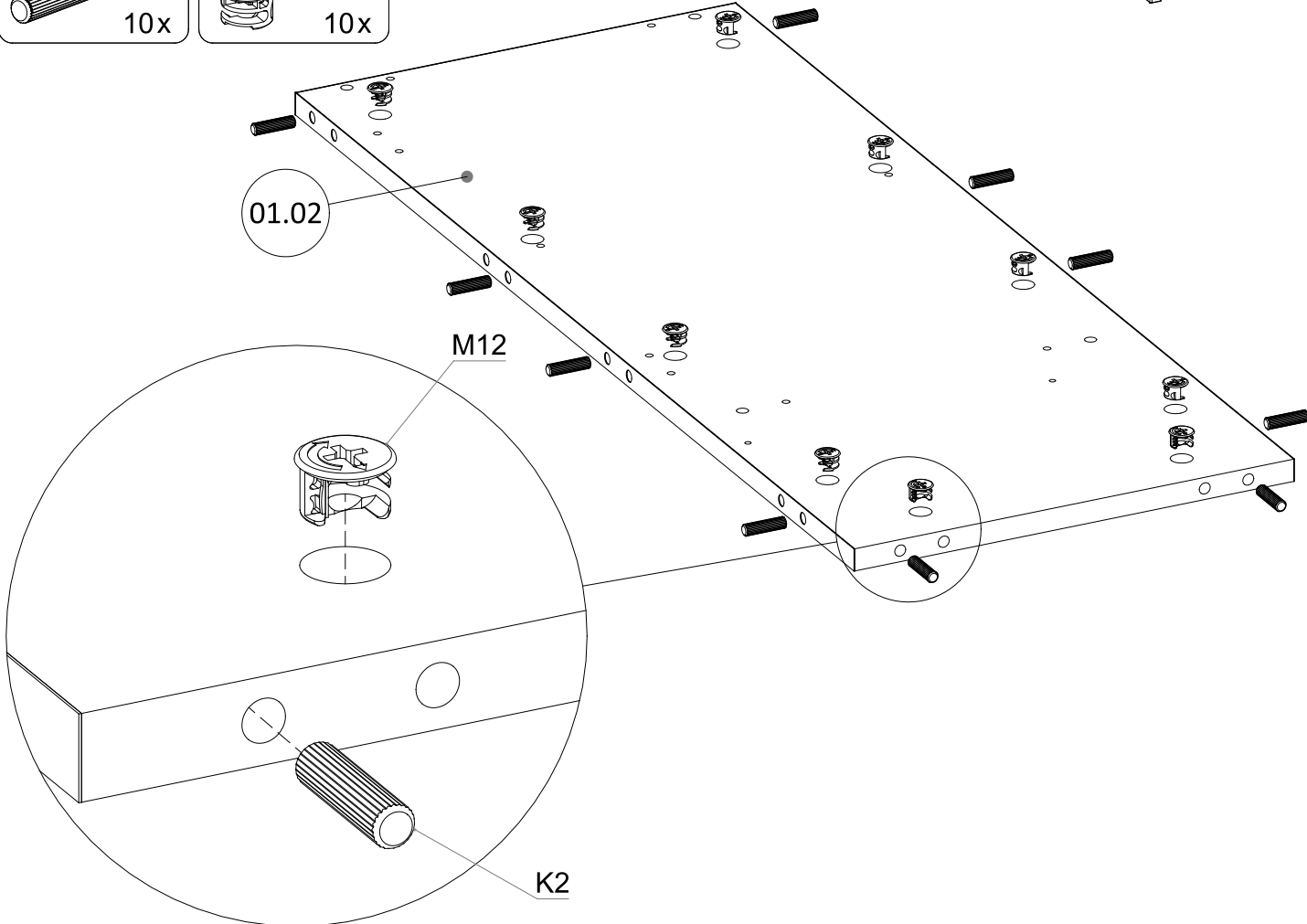
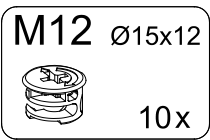
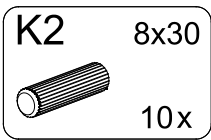
**TM1**  
4x



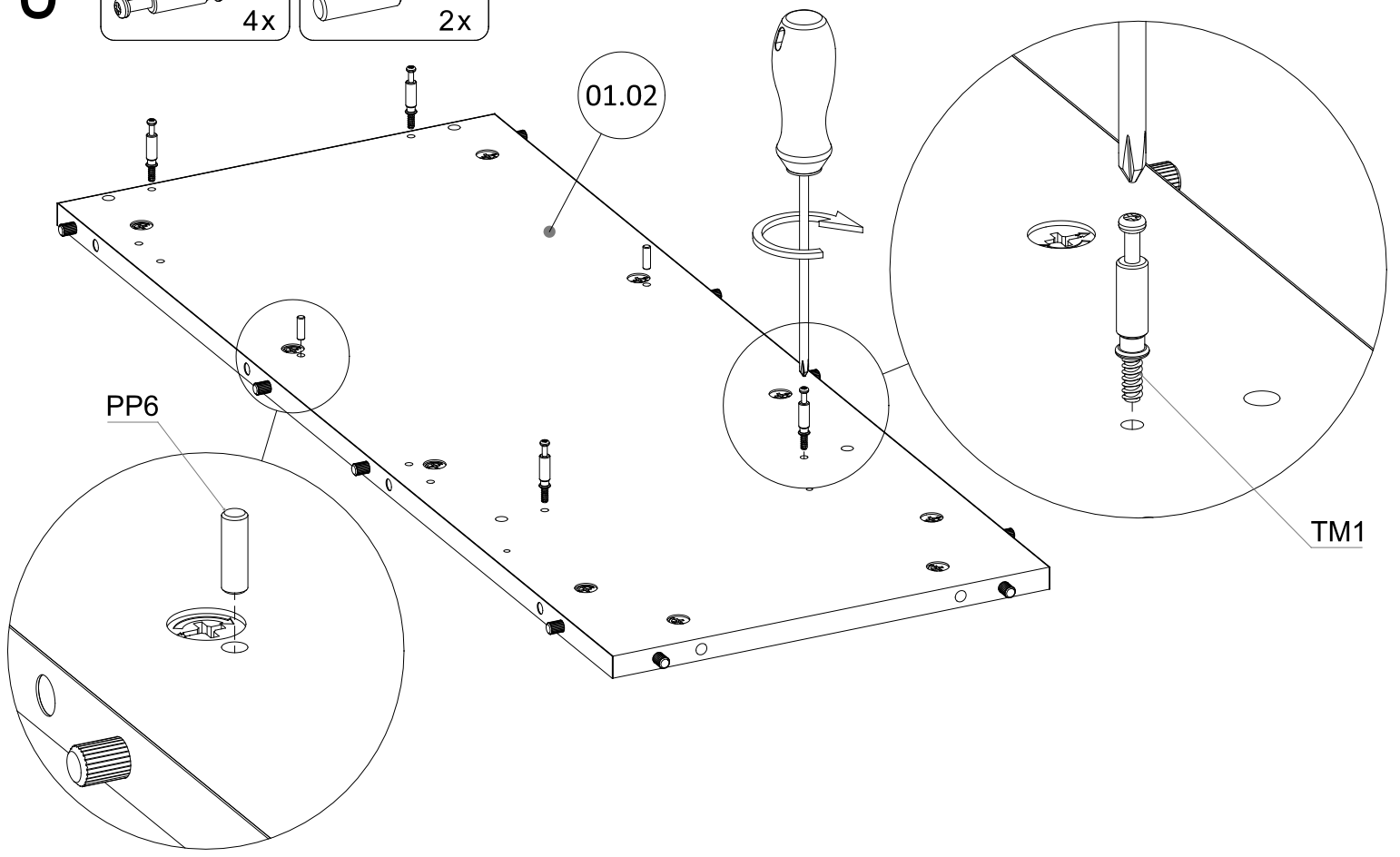
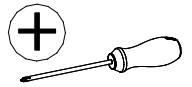
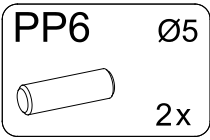
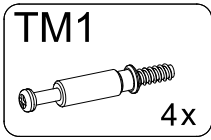
**PP6** Ø5  
2x

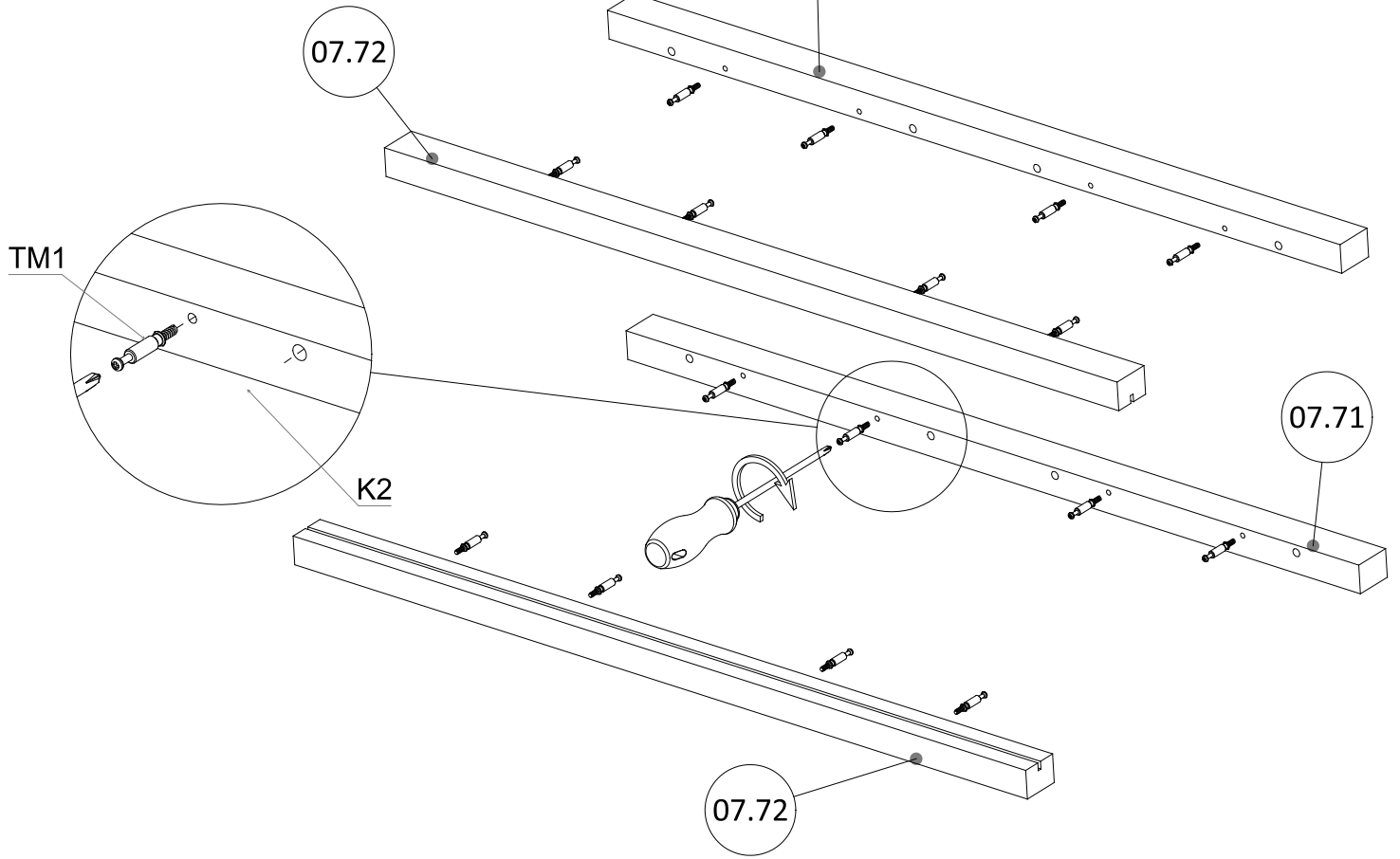
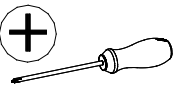
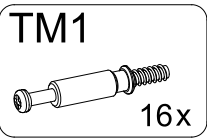
5



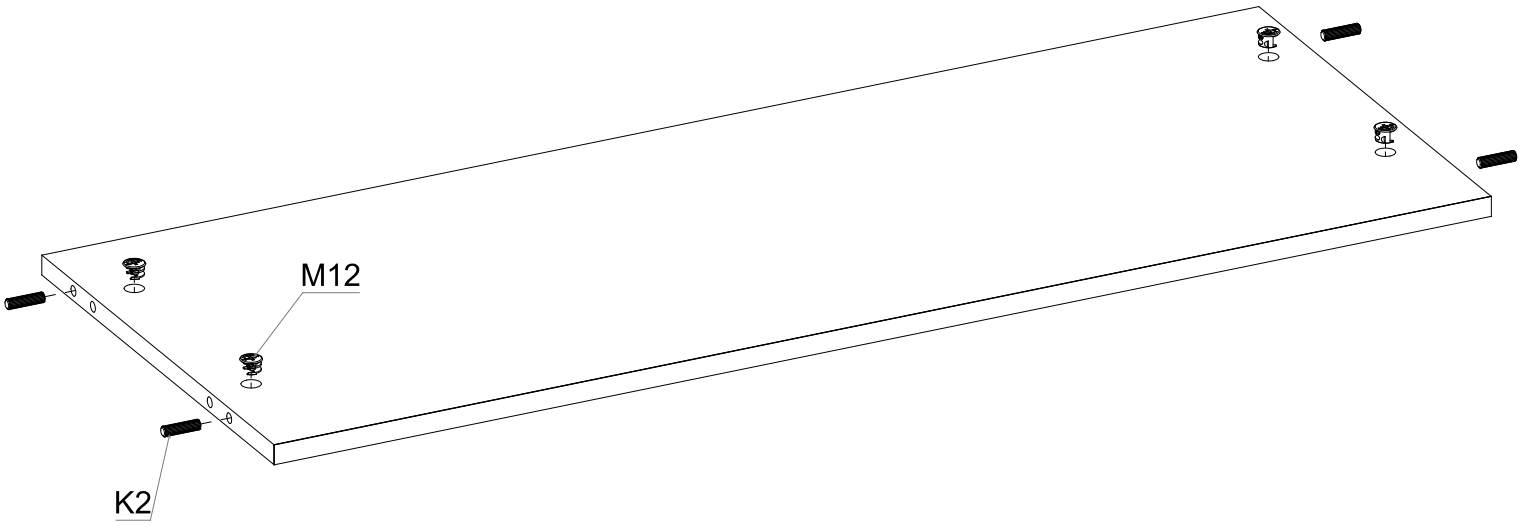
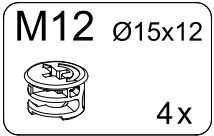
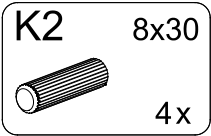
6



7

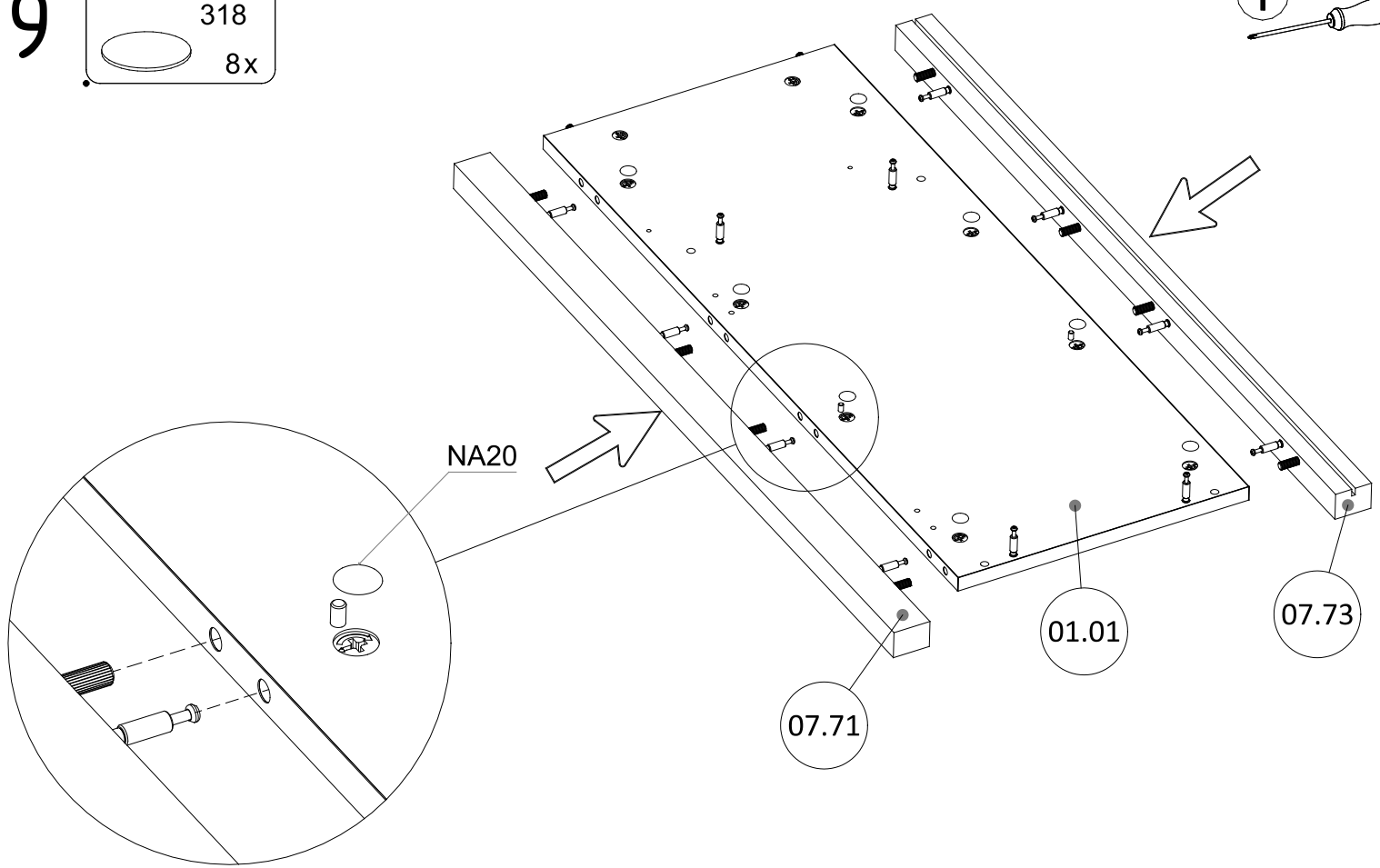
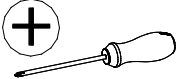


8



9

NA20 Ø20  
318  
8x



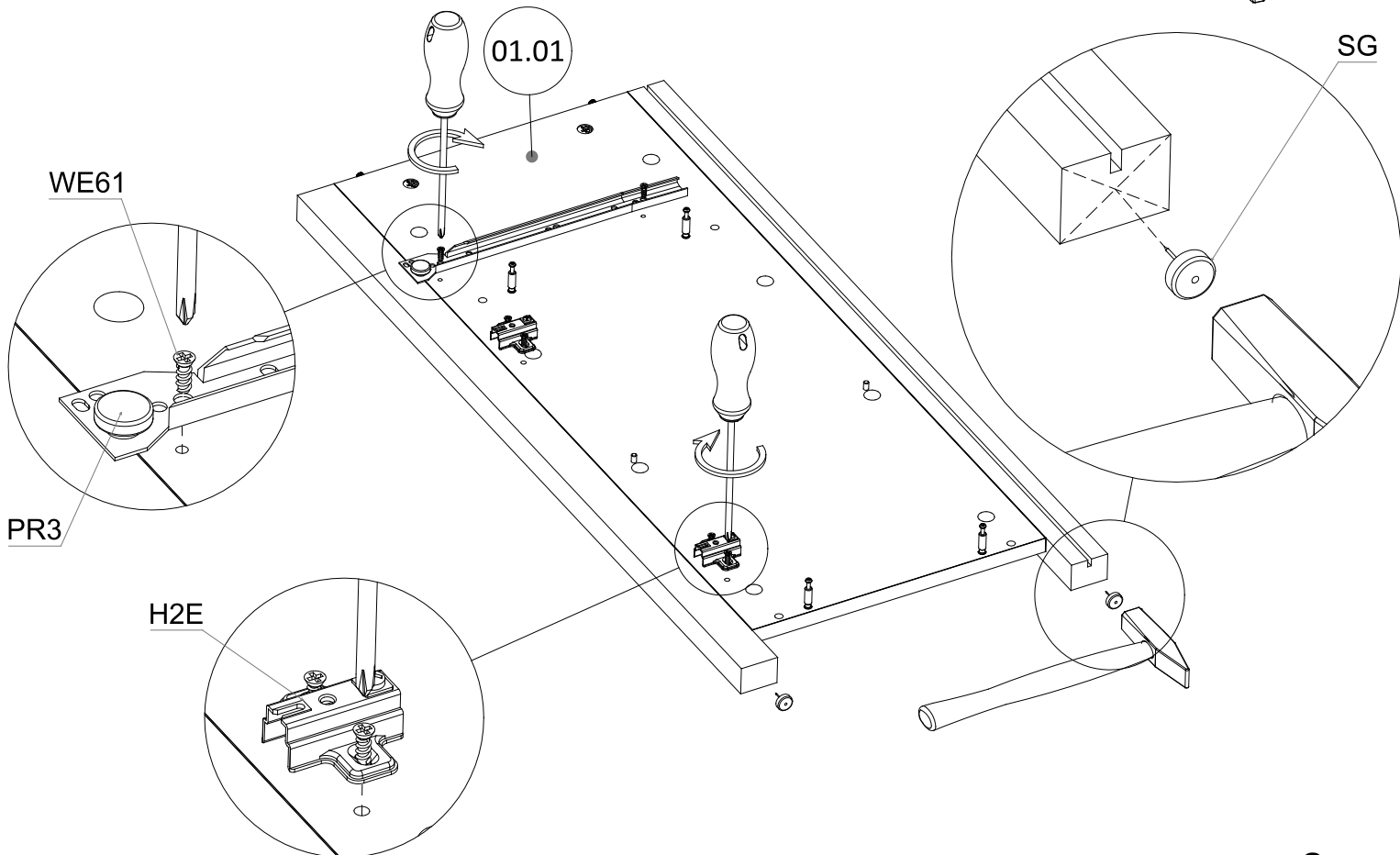
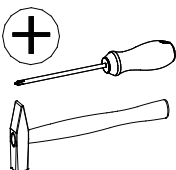
10

PR3 LEFT  
1x

WE61 5x13  
2x

H2E  
2x


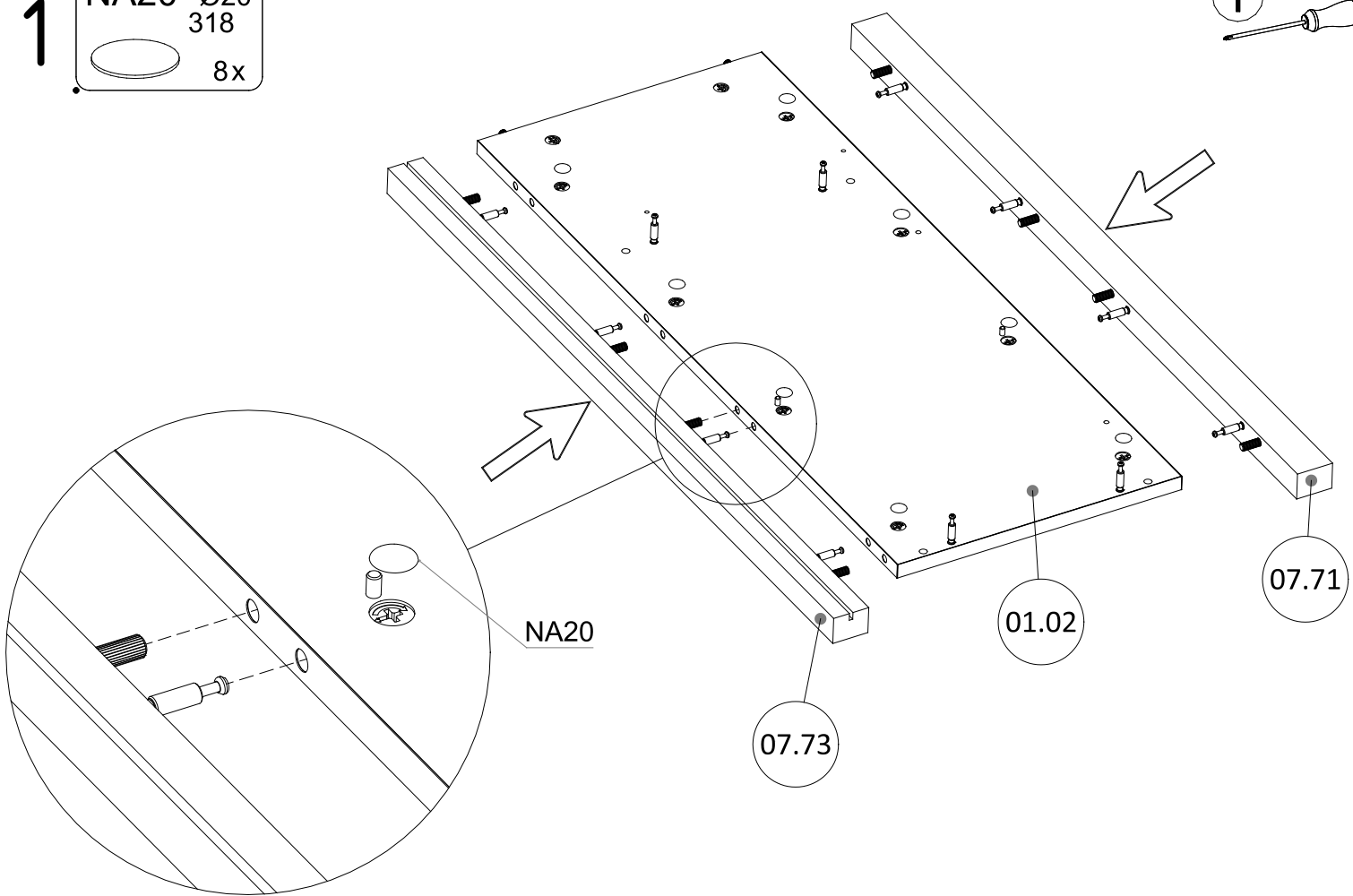
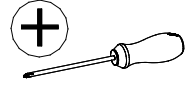
SG  
2x






# 11

NA20 Ø20  
318  
8x





# 12


PR3 RIGHT  
1x



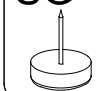
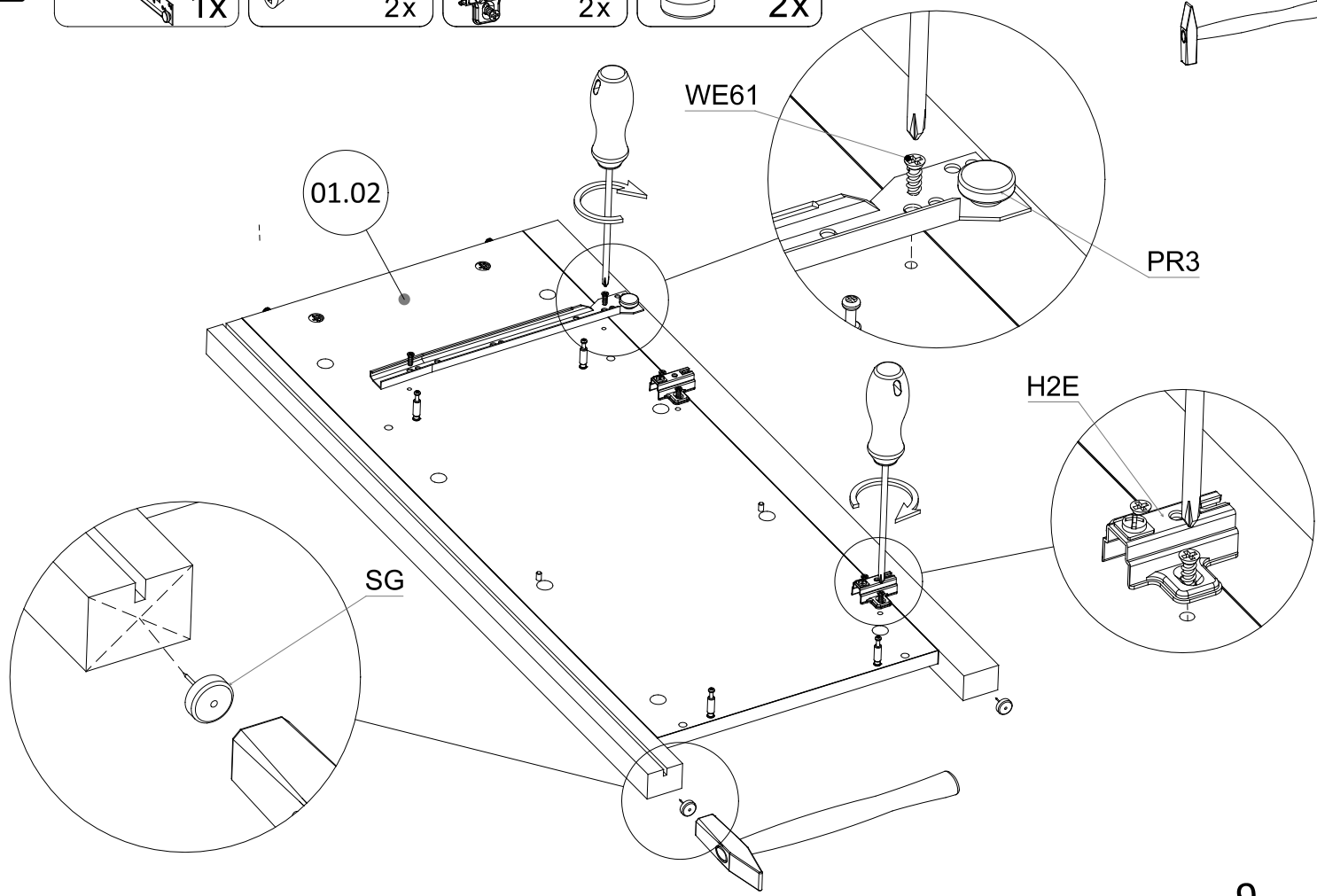
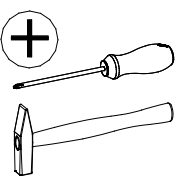
WE61 5x13  
2x



H2E  
2x

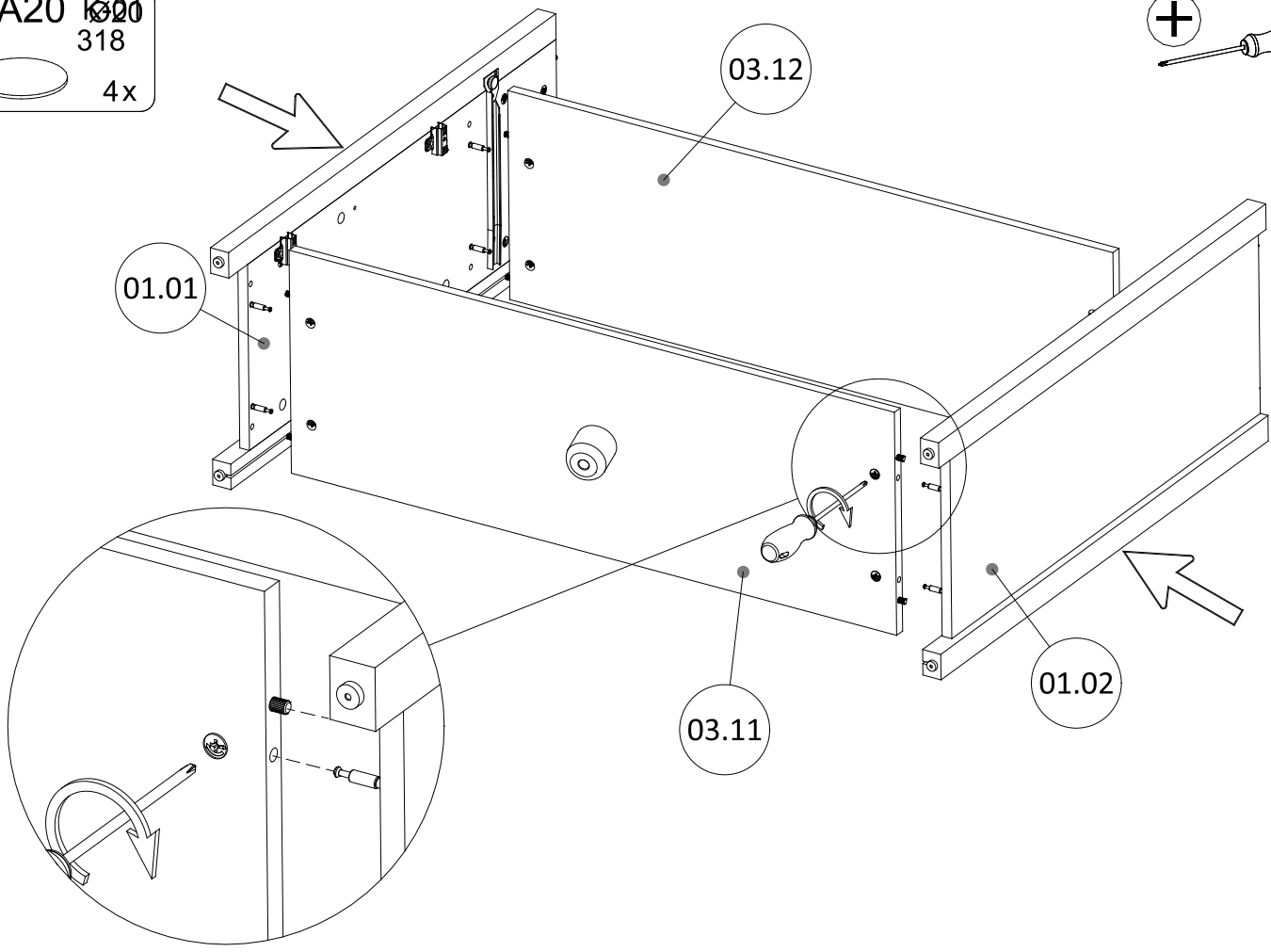


SG  
2x

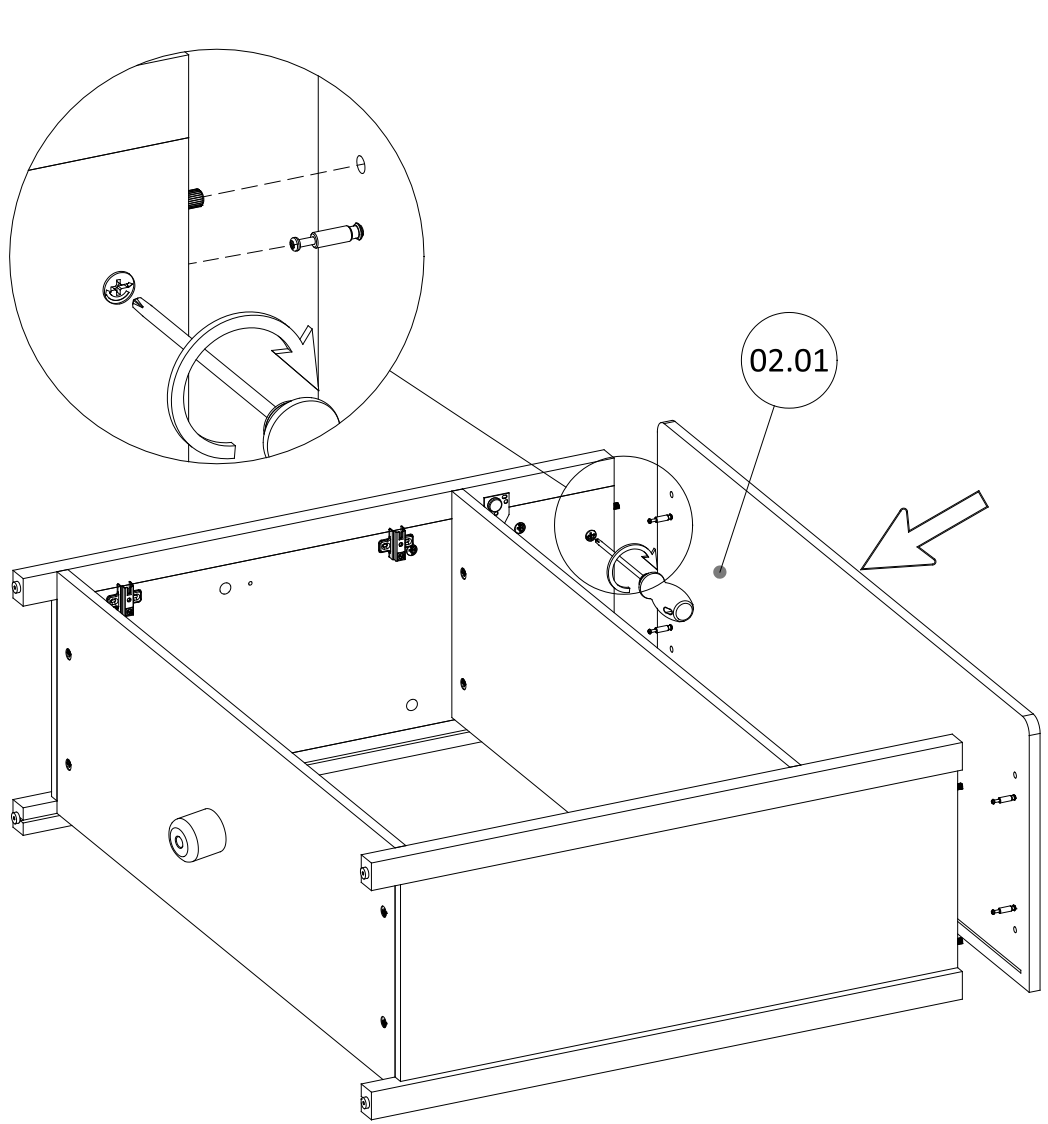



# 13

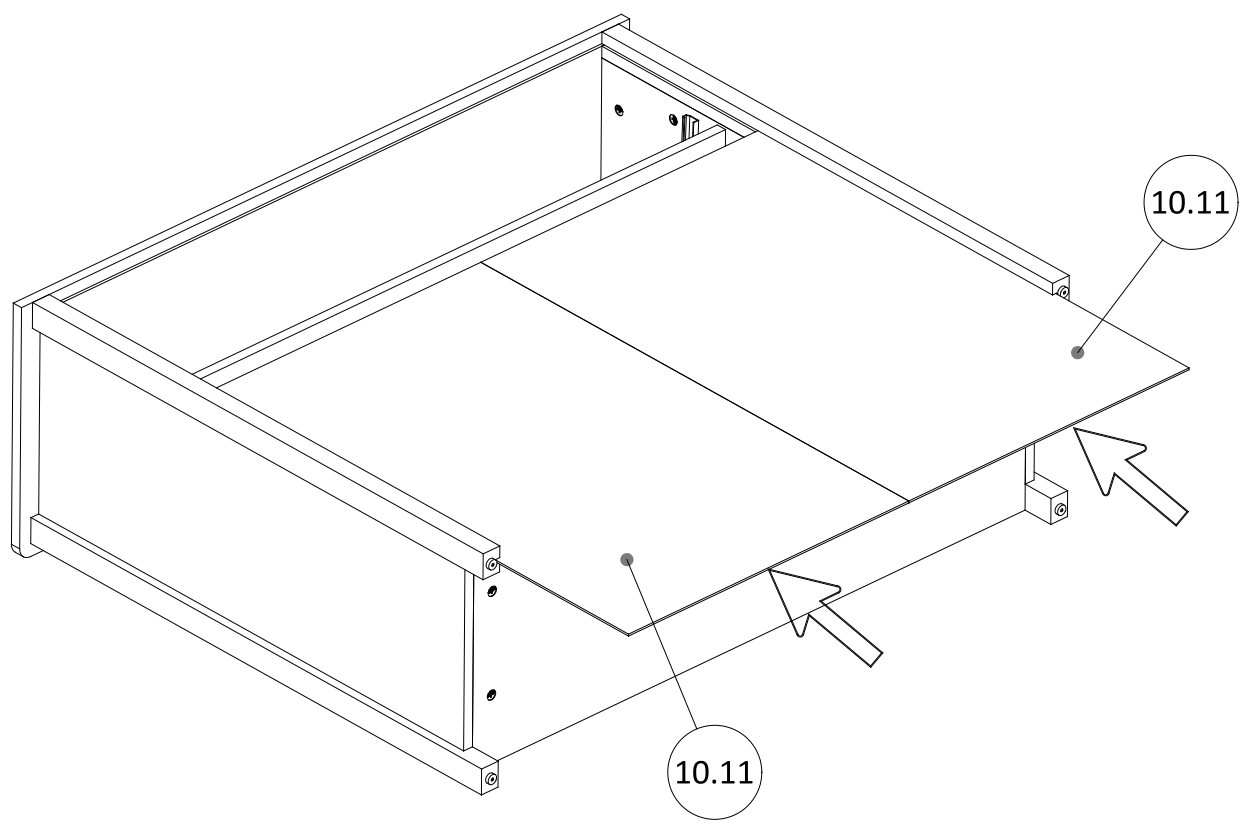
NA20 ~~K20~~  
318  
4x



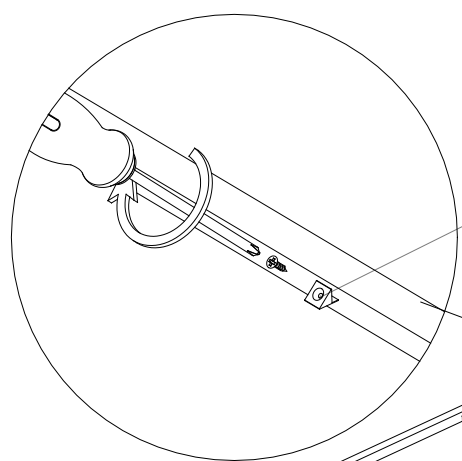
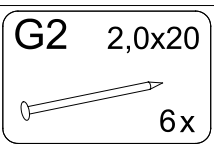
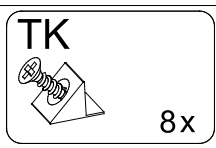
# 14



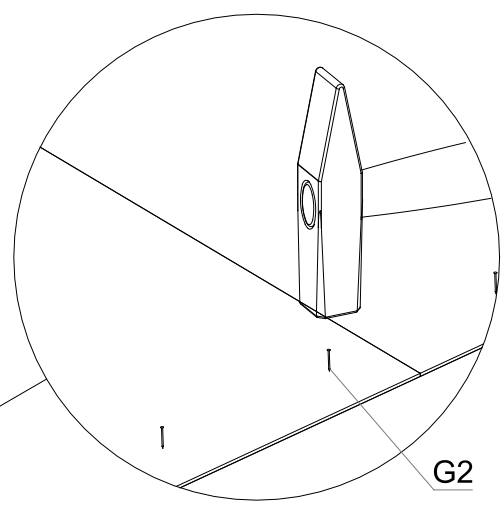
15



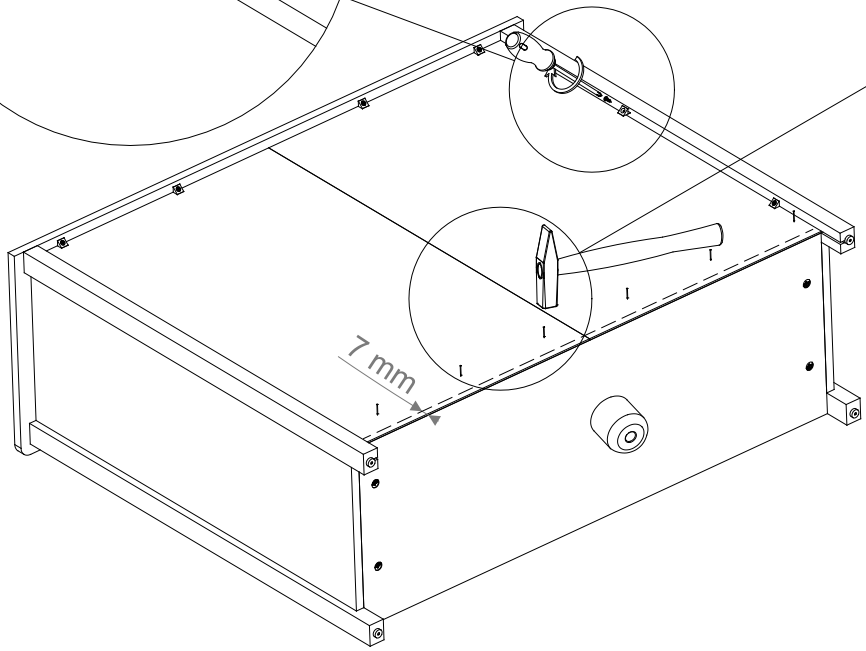
16



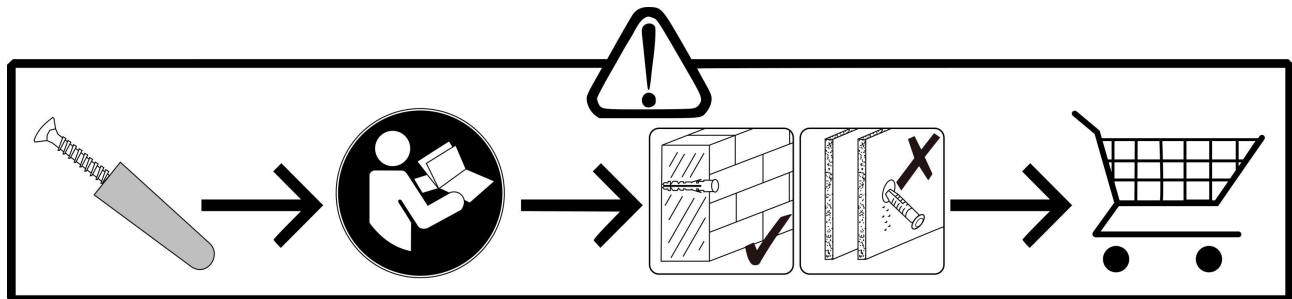
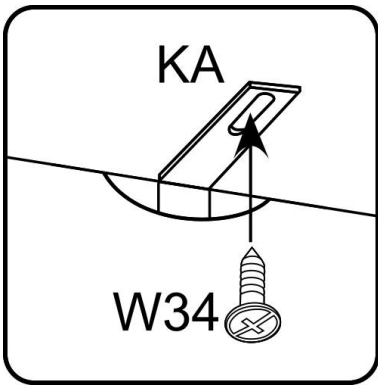
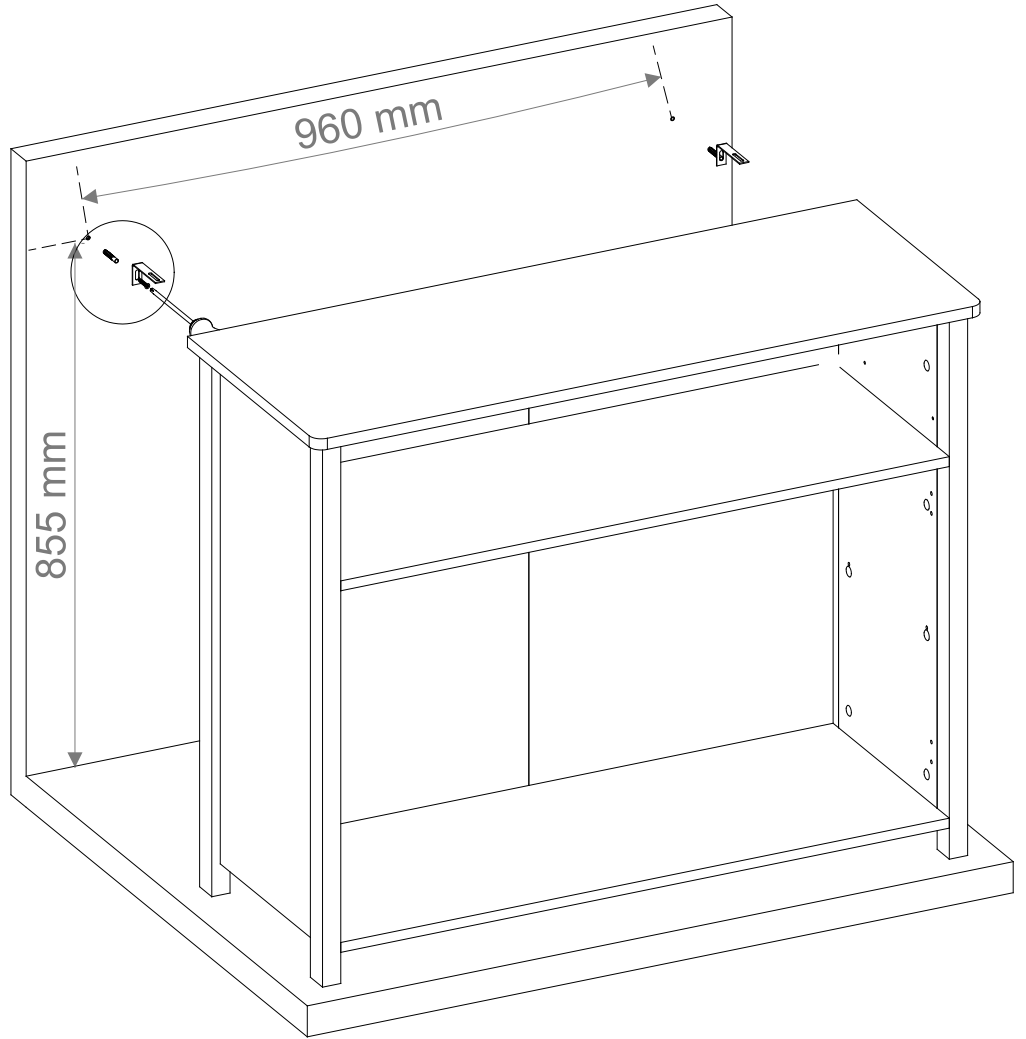
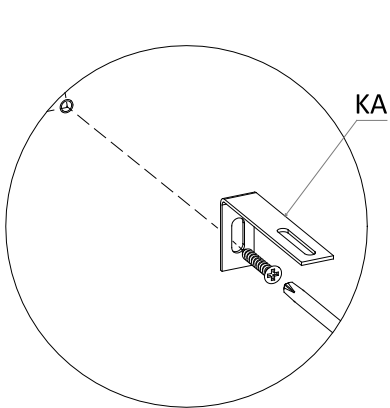
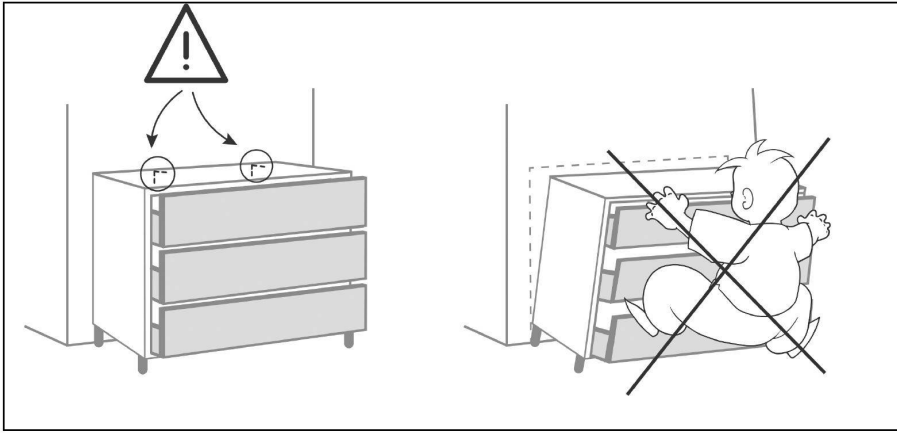
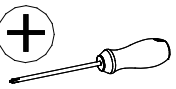
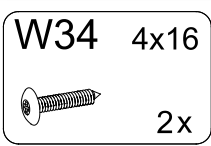
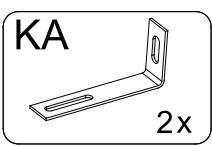
TK



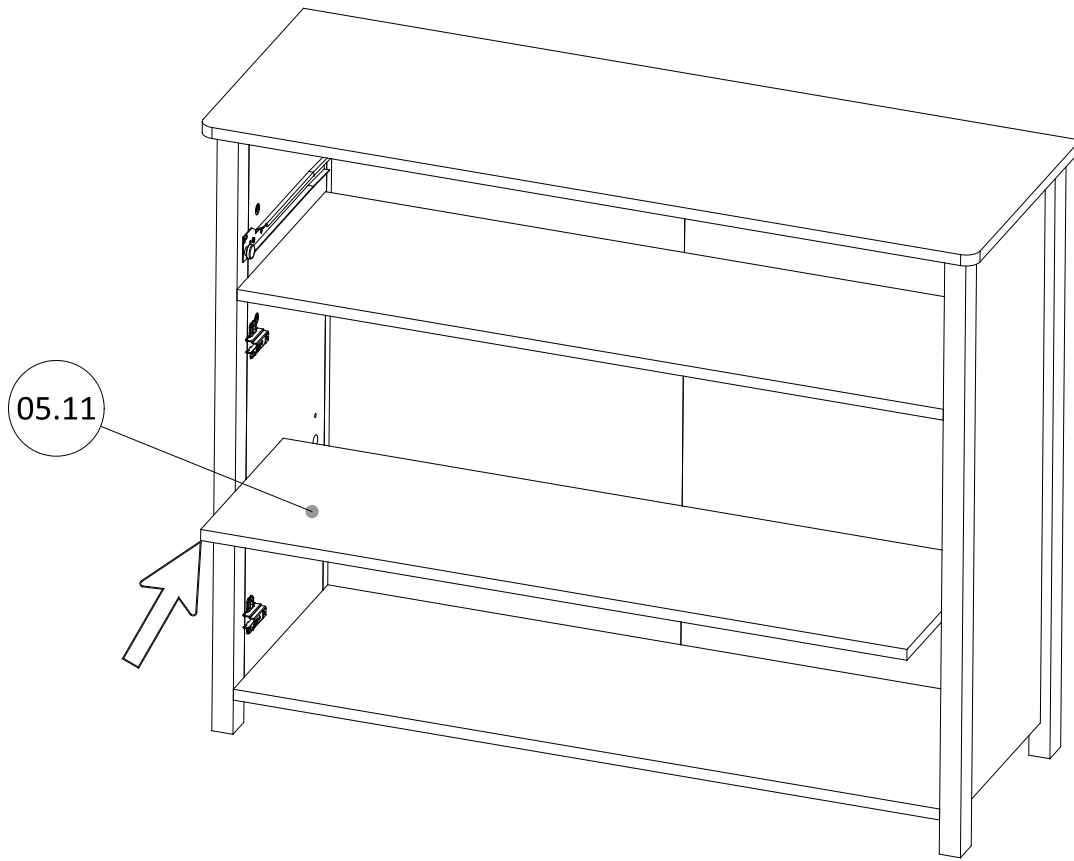
G2



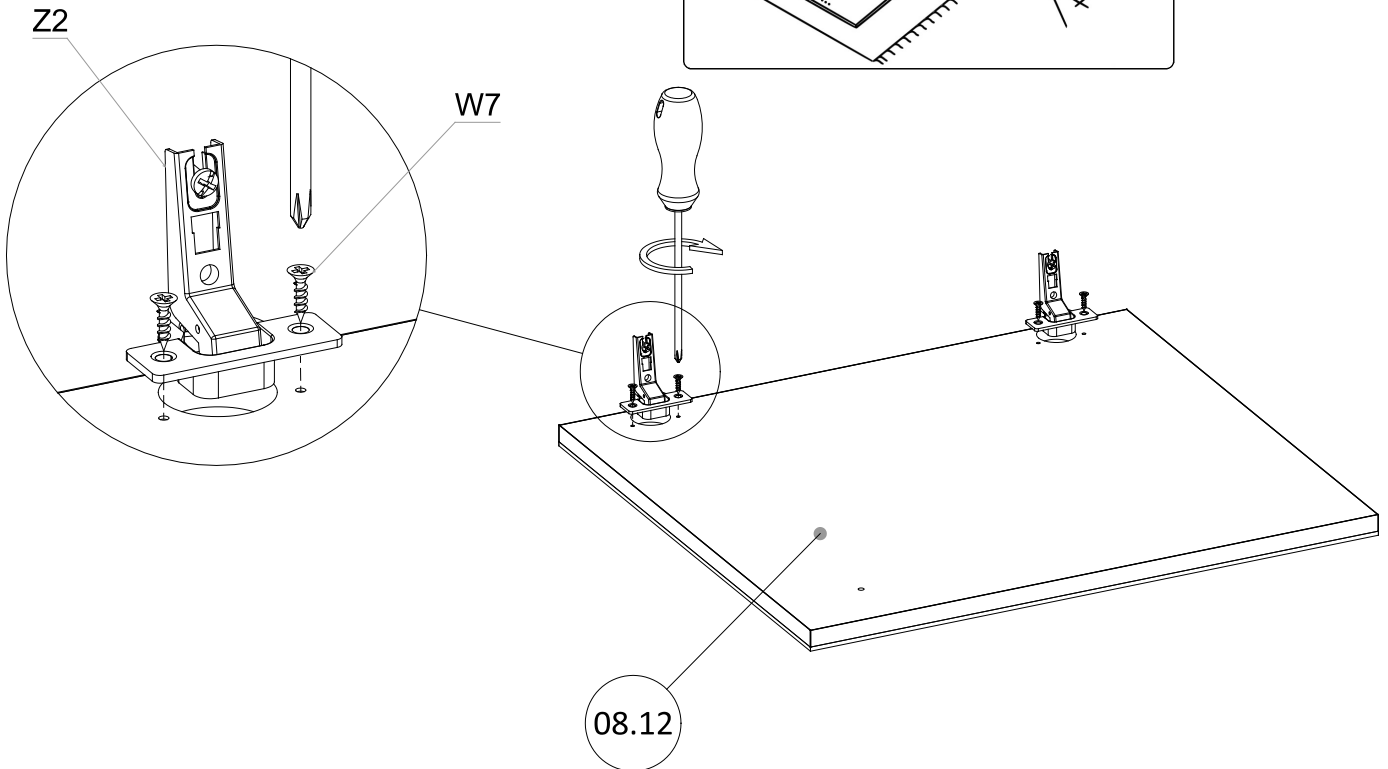
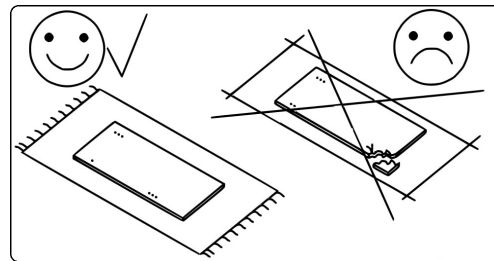
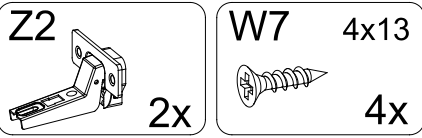
17



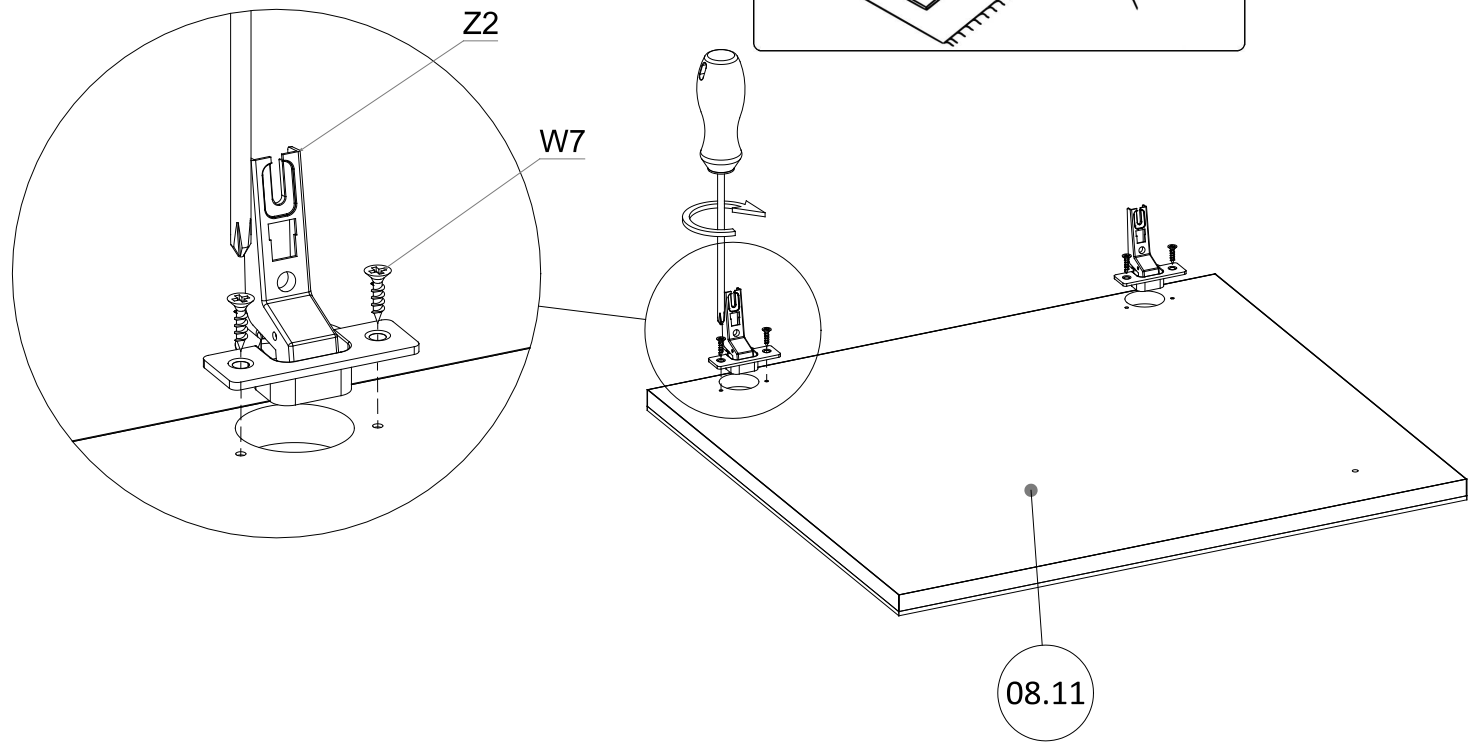
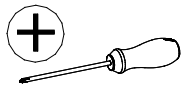
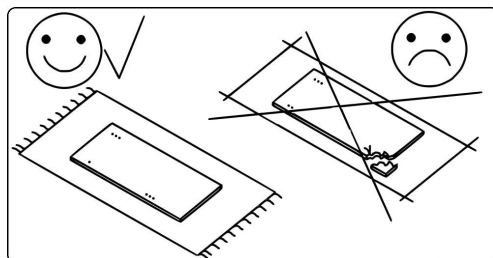
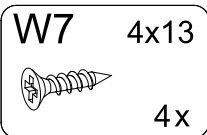
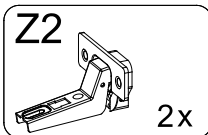
# 18



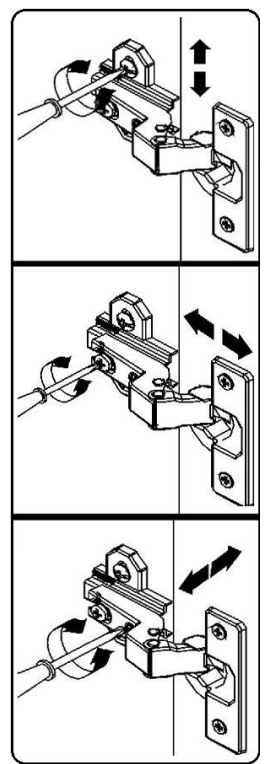
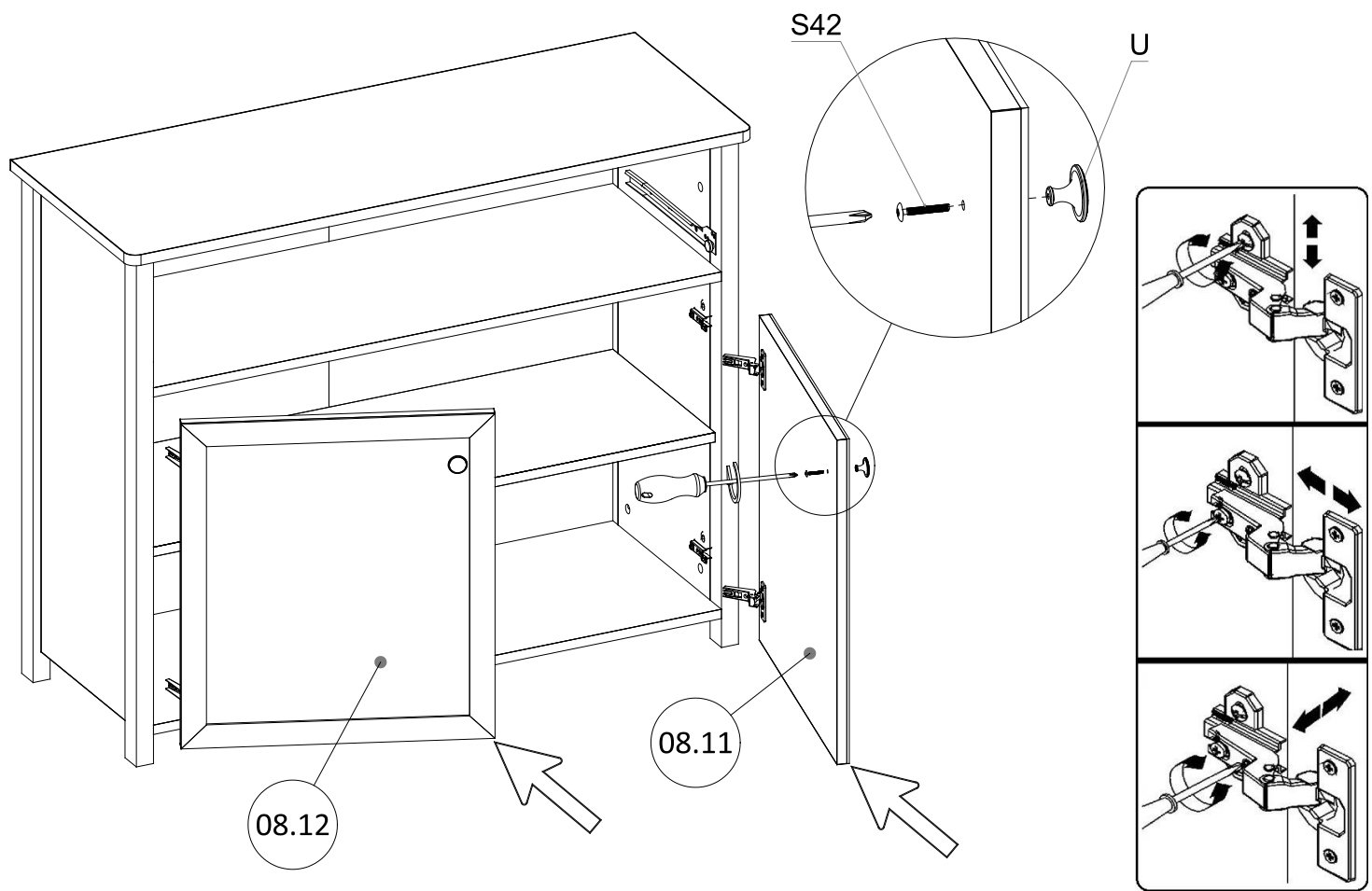
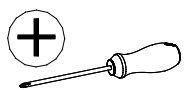
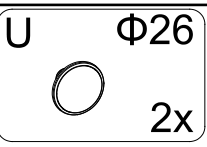
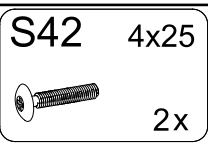
# 19





# 20



# 21

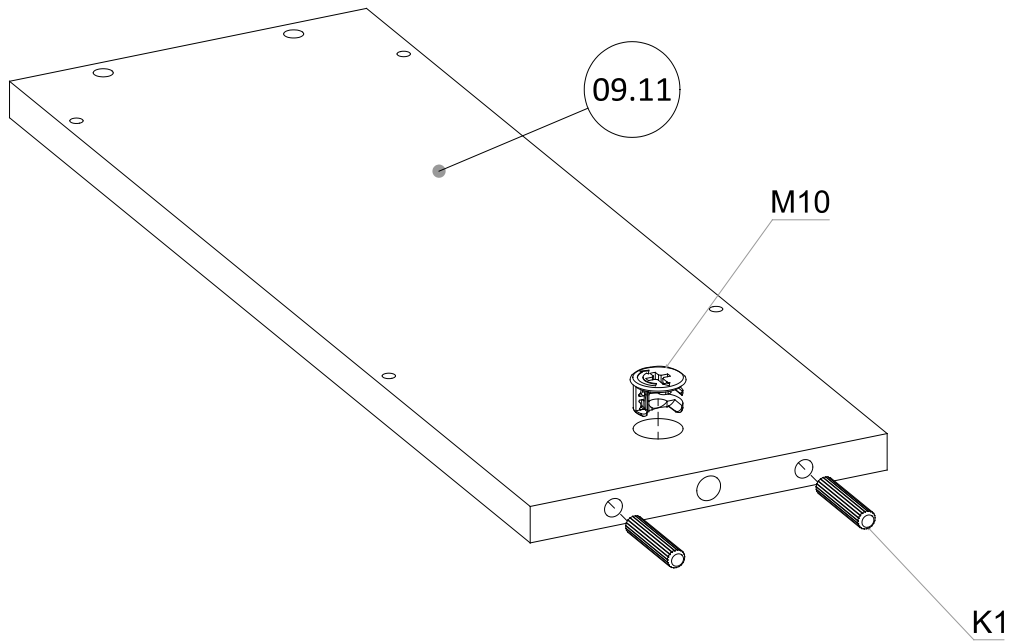


# 22

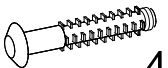
K1	6x30	M10	Ø15x10
	2x2		1x2

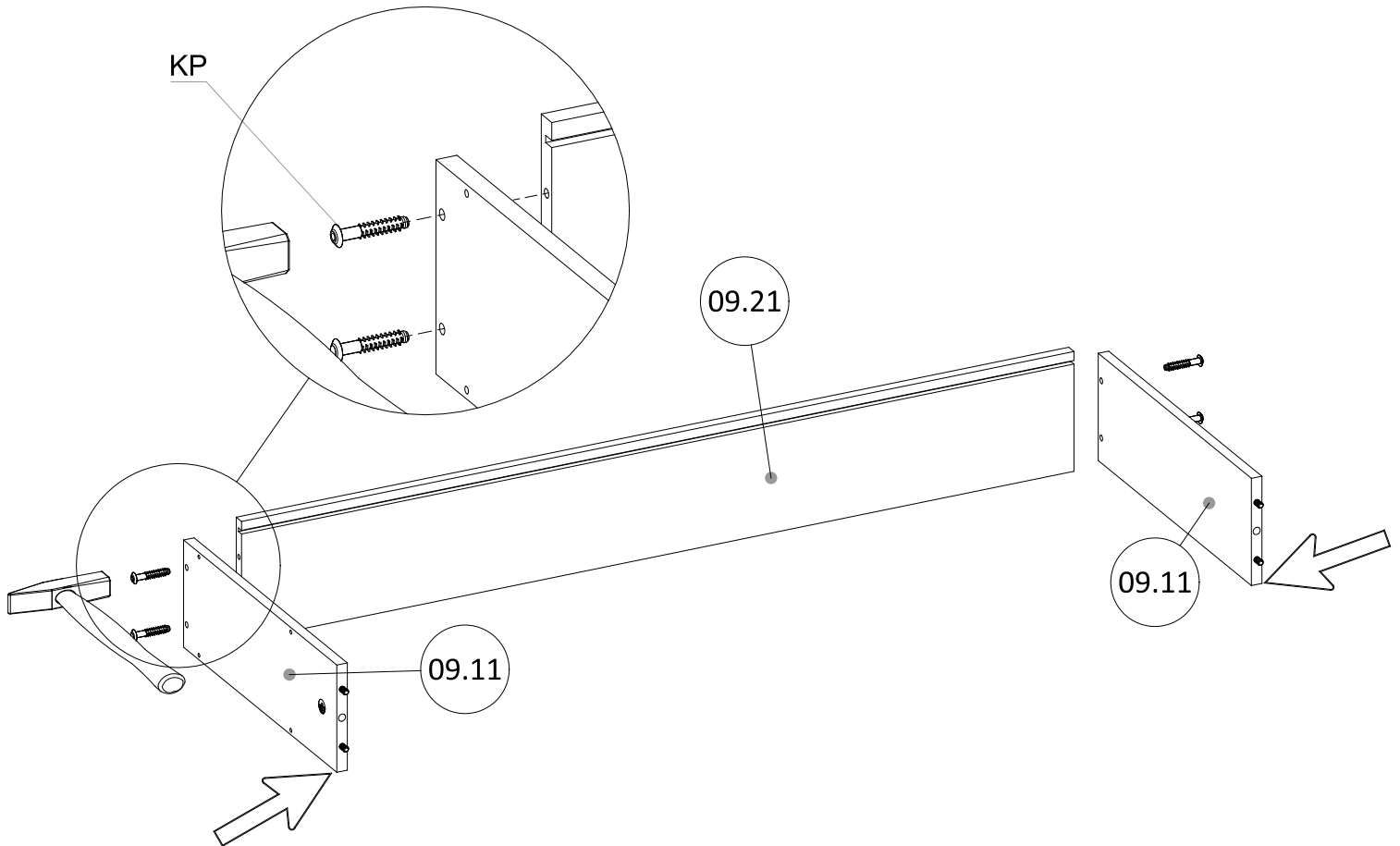


## 2x

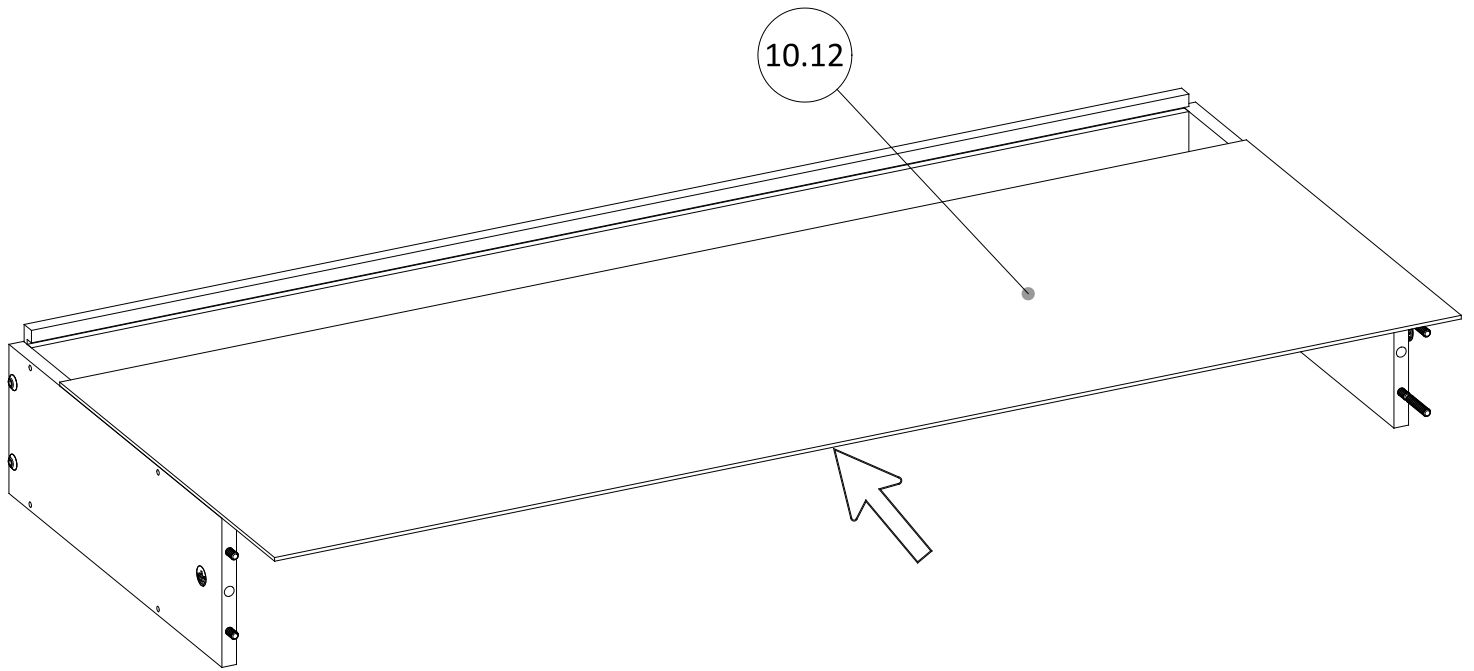


# 23

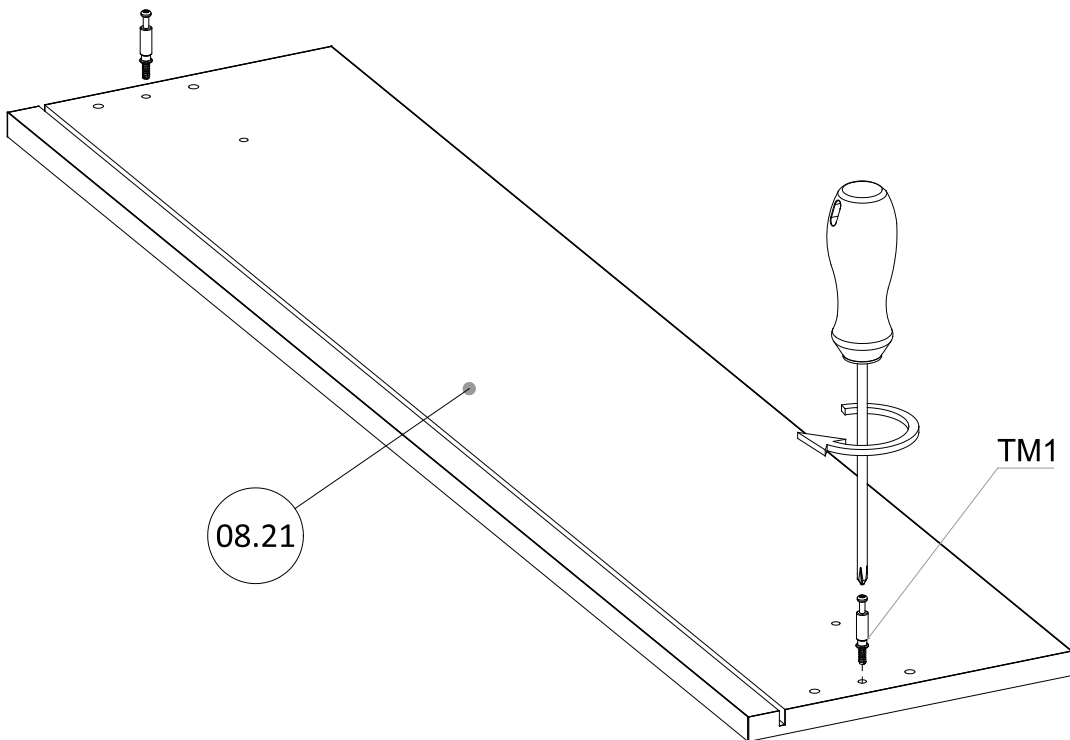
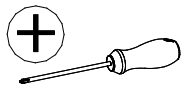
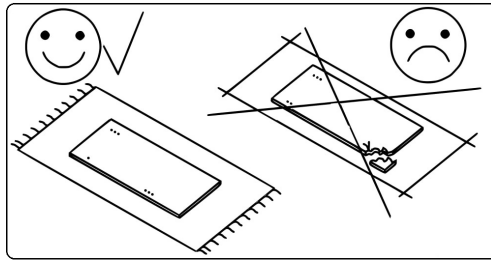
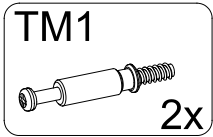
KP	6x40
	4x



# 24



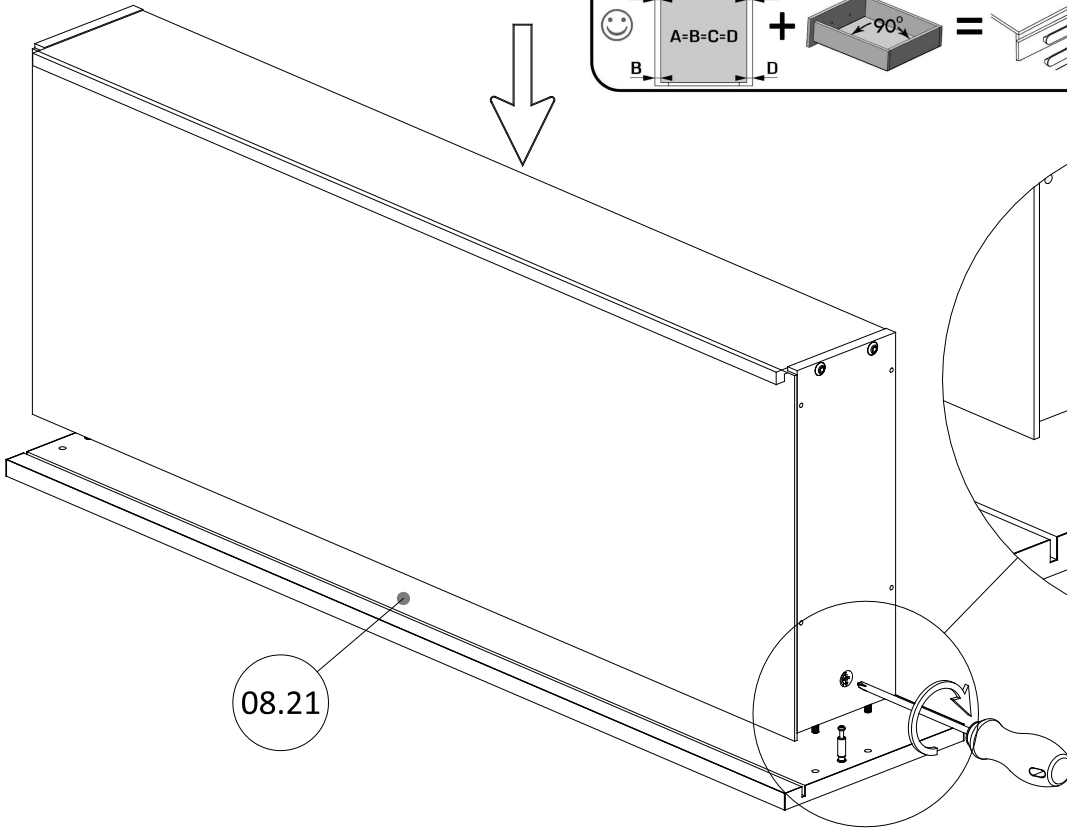
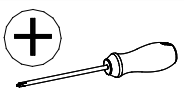
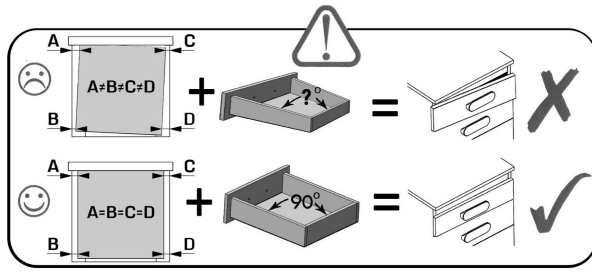
# 25





# 26

NA20 Ø20  
318  
2x

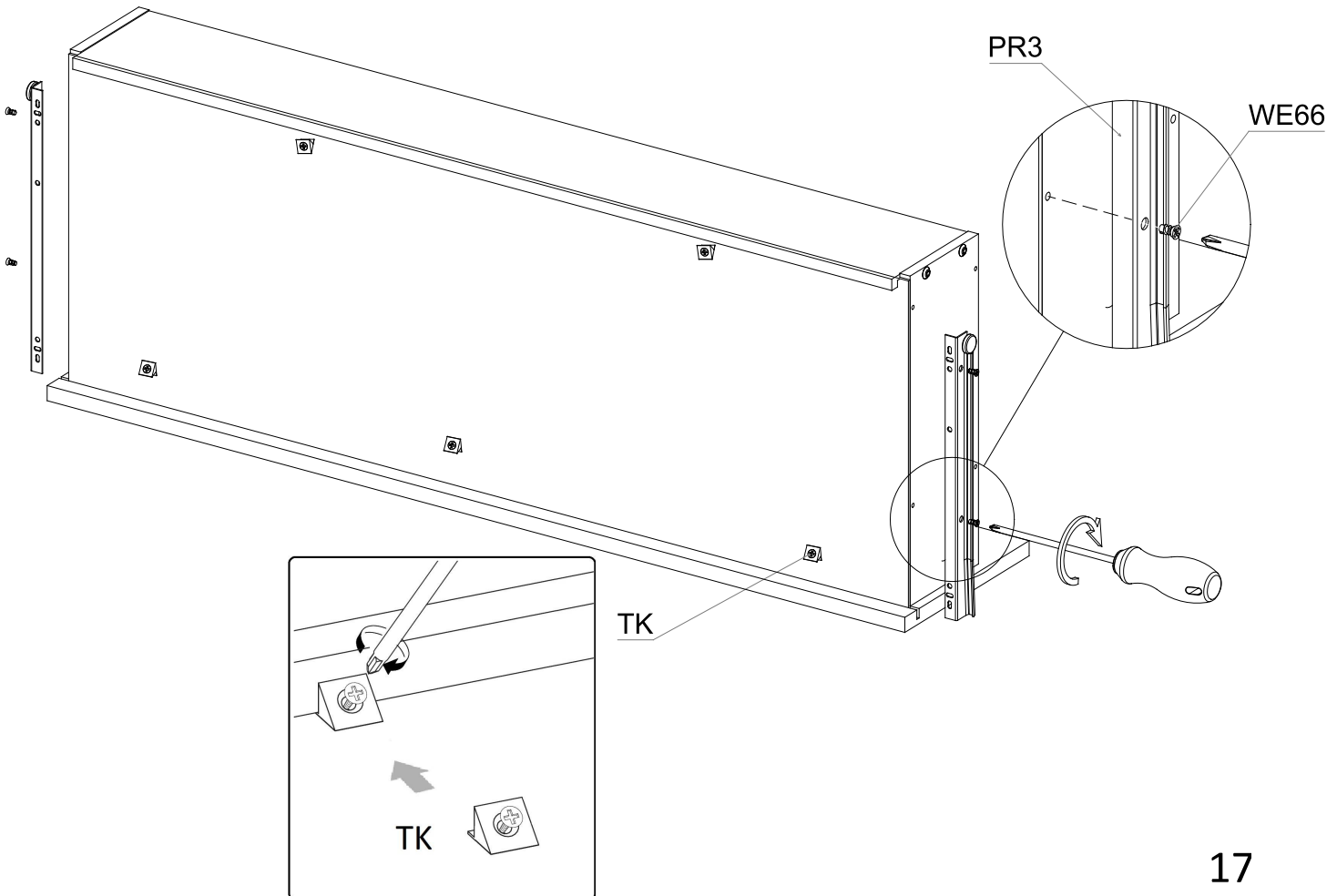
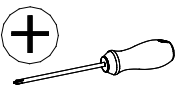


# 27



PR3  
2x

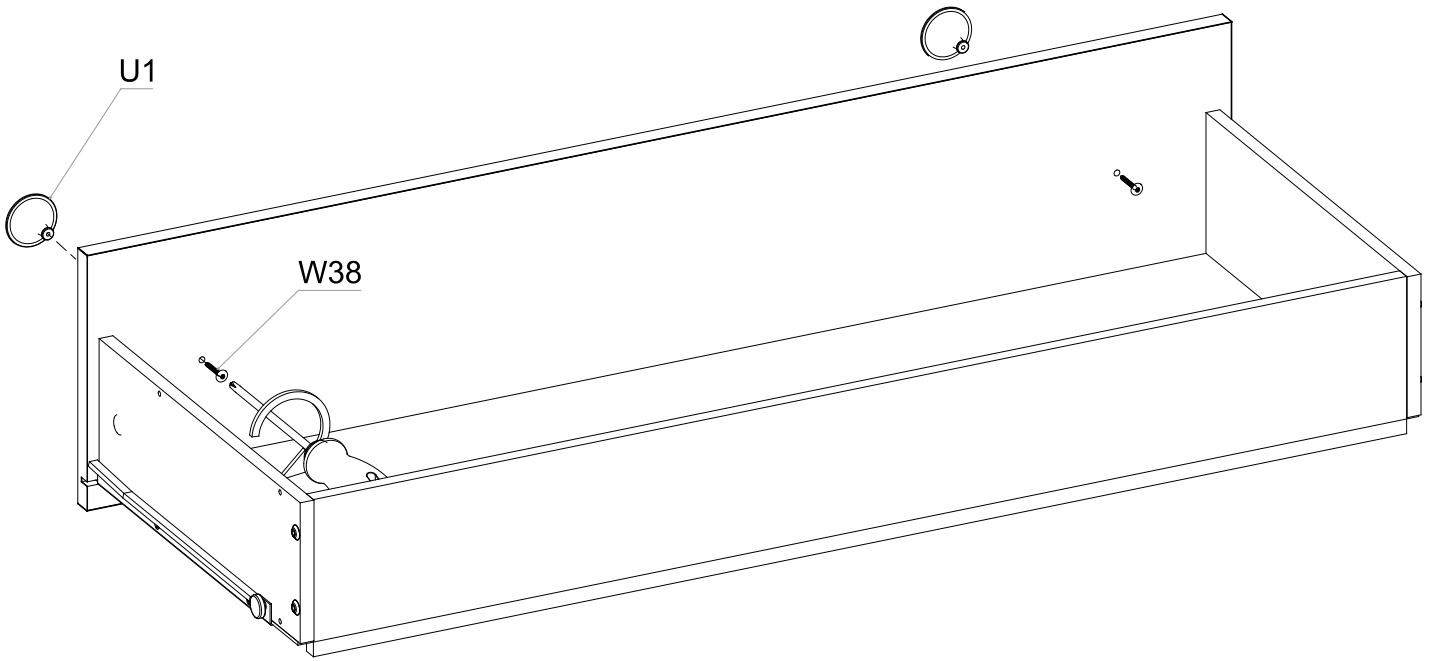
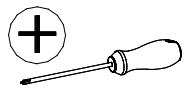
WE66 5x9  
4x

TK  
5x



# 28

U1	Φ45	W38	4x30
	2x		2x



# 29

