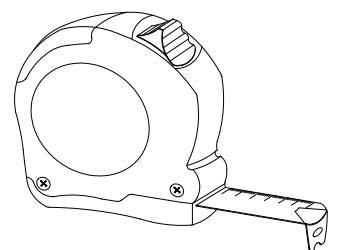
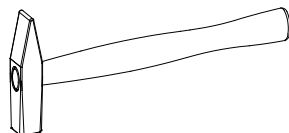
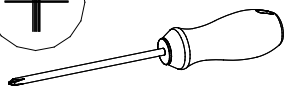
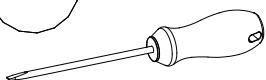
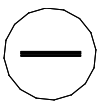
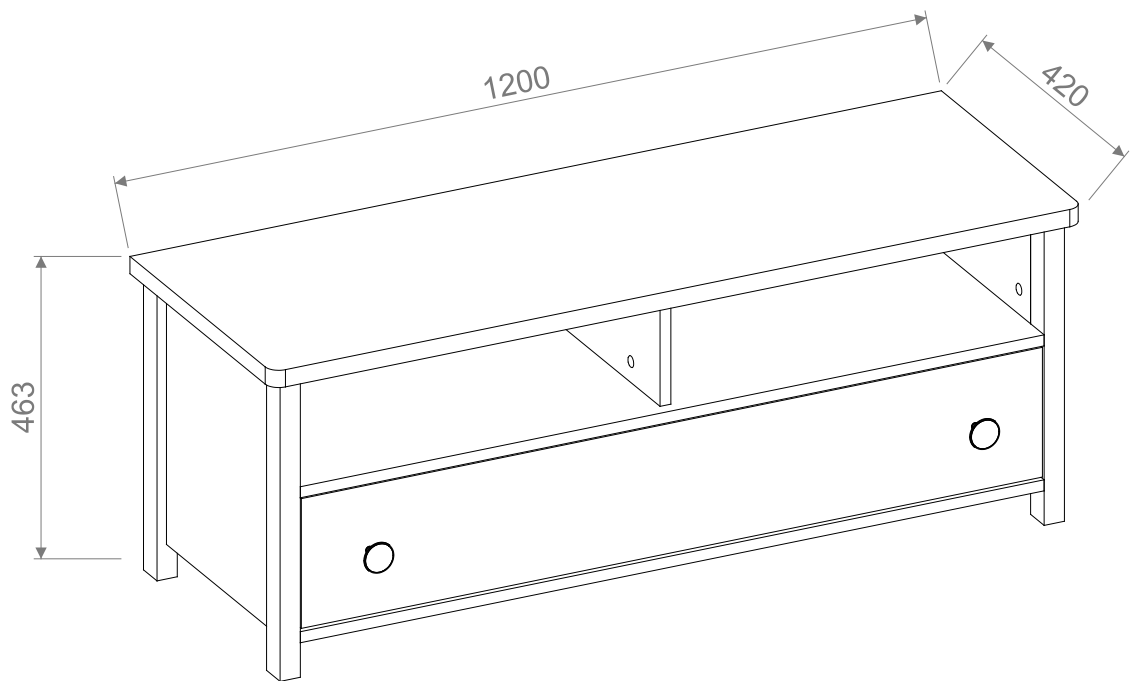
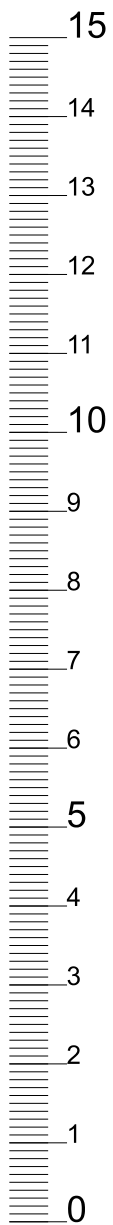


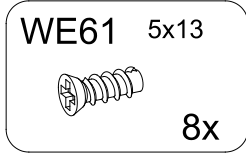
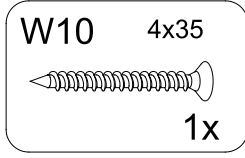
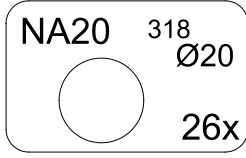
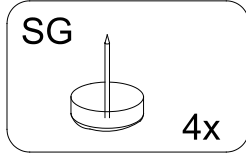
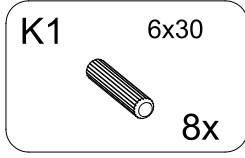
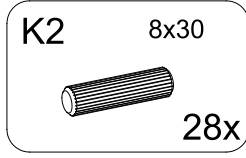
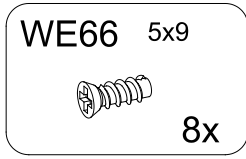
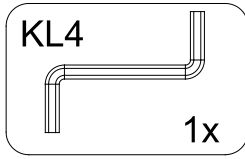
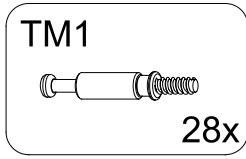
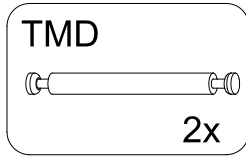
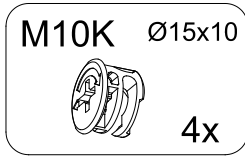
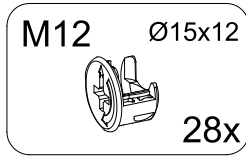
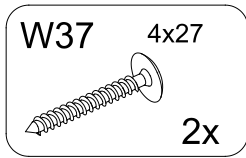
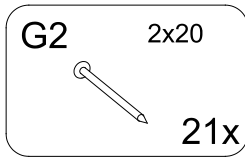
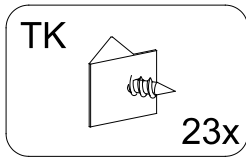
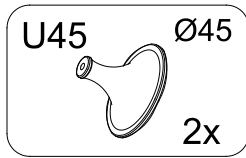
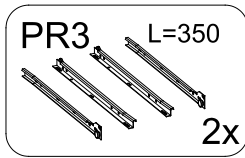
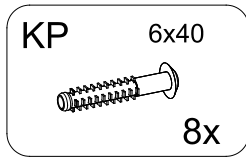
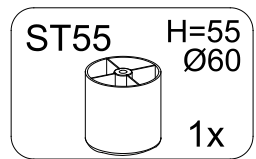
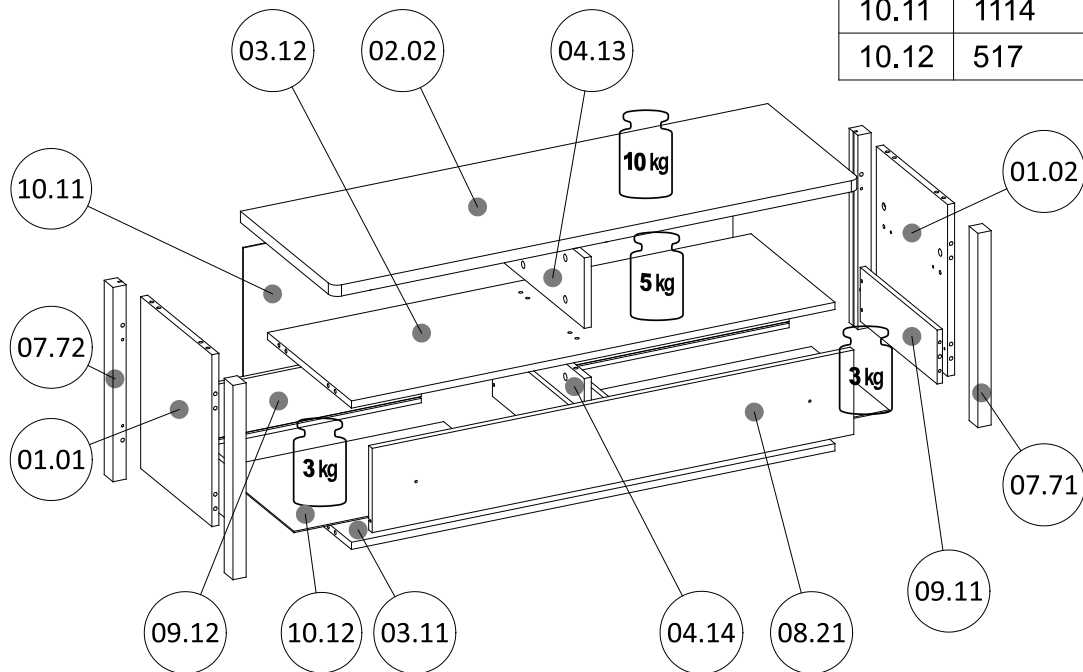


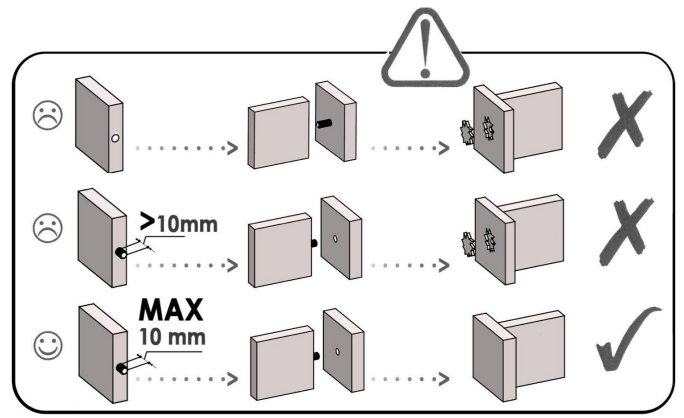
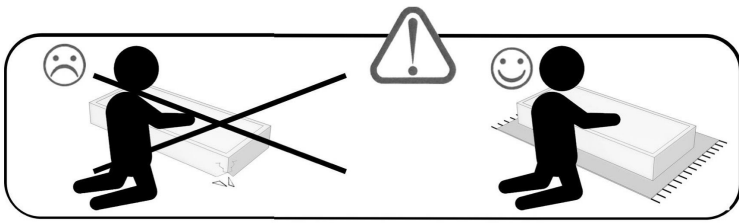
120 min






01.01	383	324	1	1/1
01.02	383	324	1	1/1
02.02	1200	420	1	1/1
03.11	1100	382	1	1/1
03.12	1100	382	1	1/1
04.13	157	362	1	1/1
04.14	194	362	1	1/1
07.71	433	40	2	1/1
07.72	433	40	2	1/1
08.21	1096	188	1	1/1
09.11	350	120	4	1/1
09.12	493	134	2	1/1
10.11	1114	389	1	1/1
10.12	517	353	2	1/1



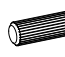


1

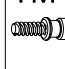
- M12 $\varnothing 15 \times 12$



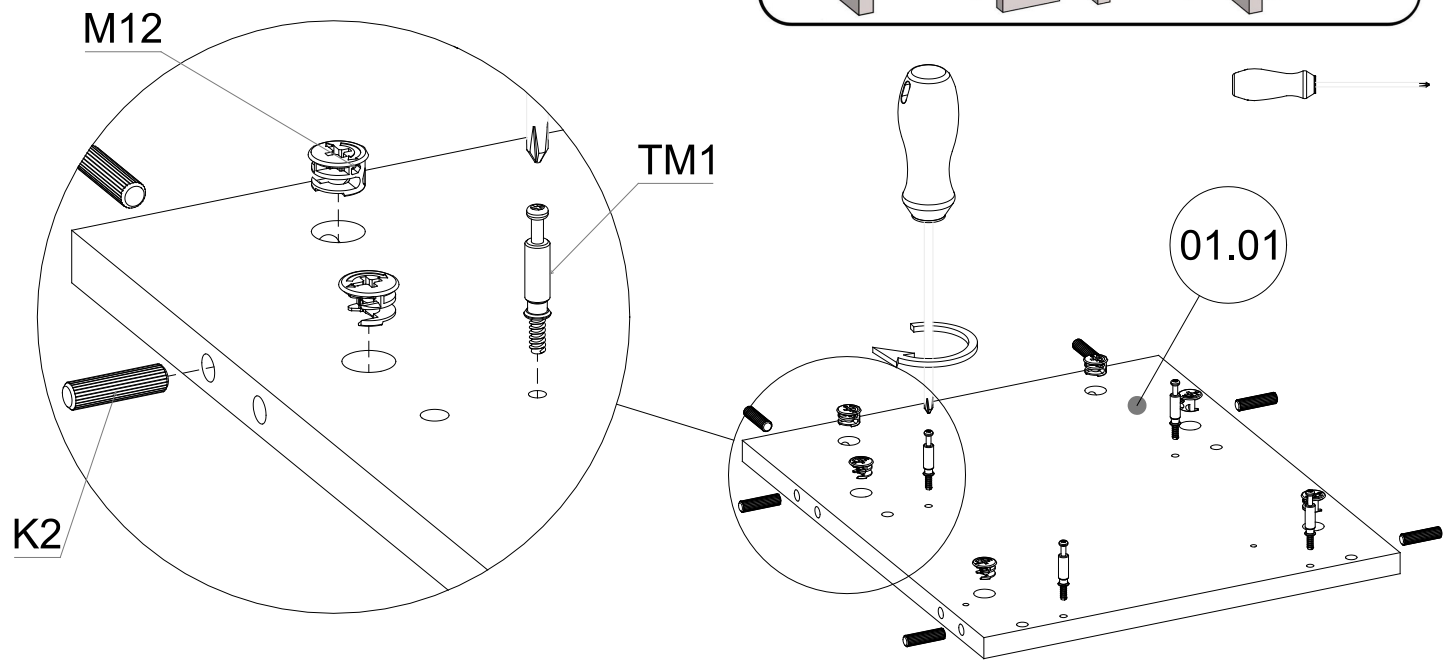
6x
- K2 8x30



6x
- TM1




4x

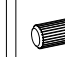


2

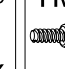
- M12 $\varnothing 15 \times 12$



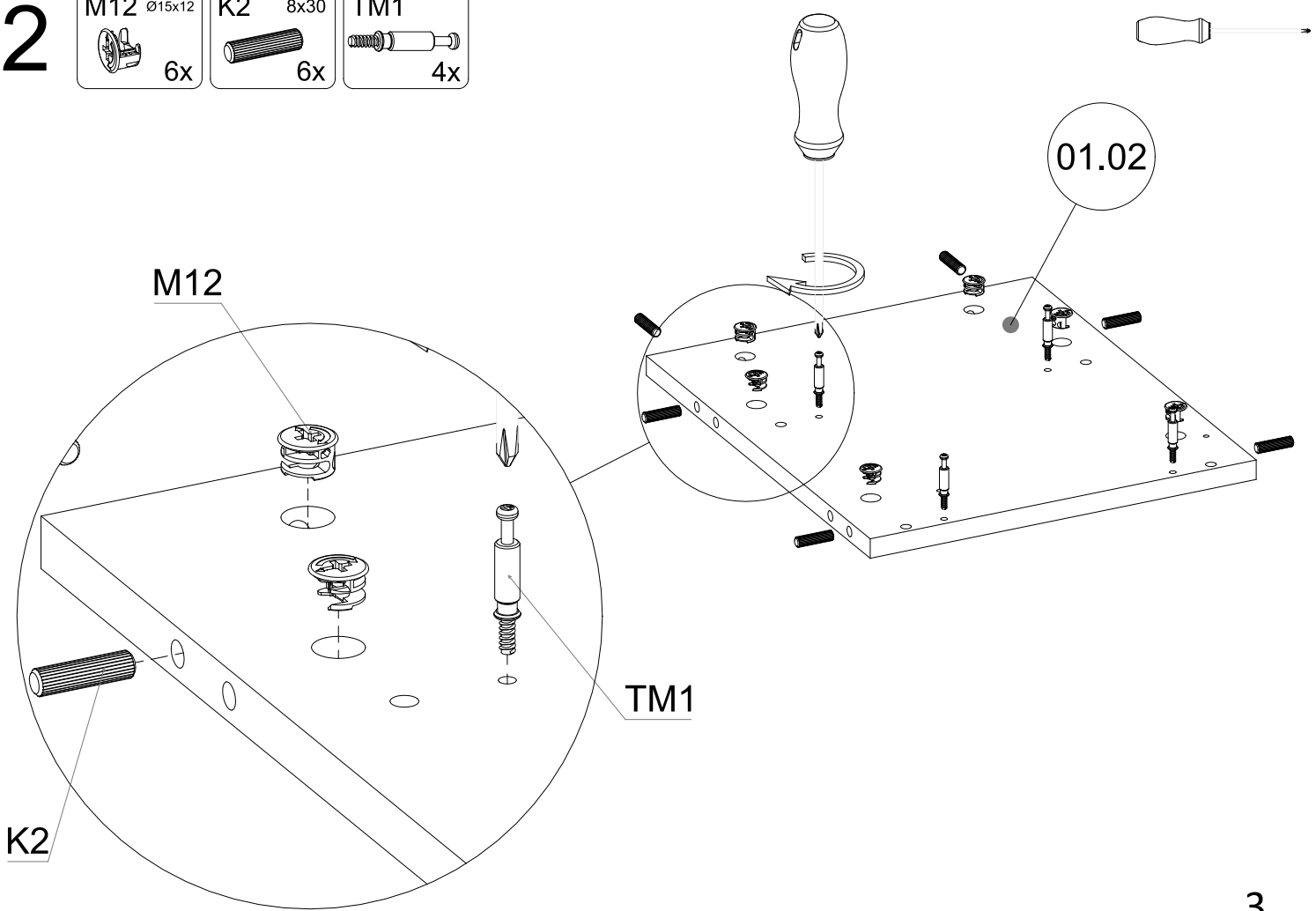
6x
- K2 8x30



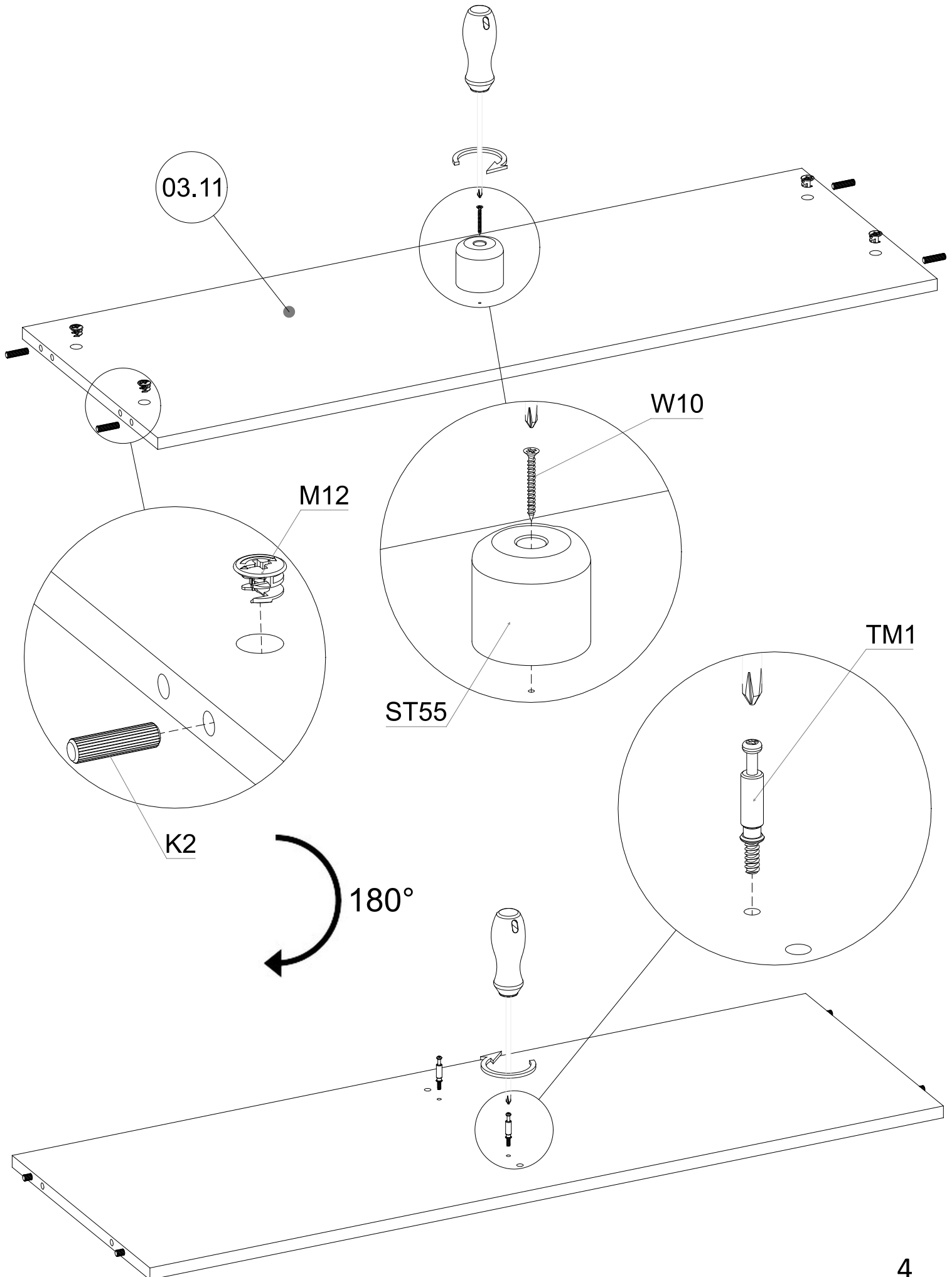
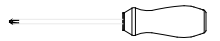
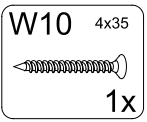
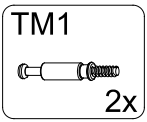
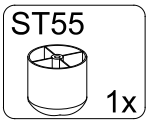
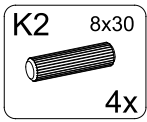
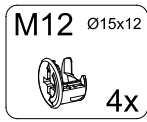
6x
- TM1



4x

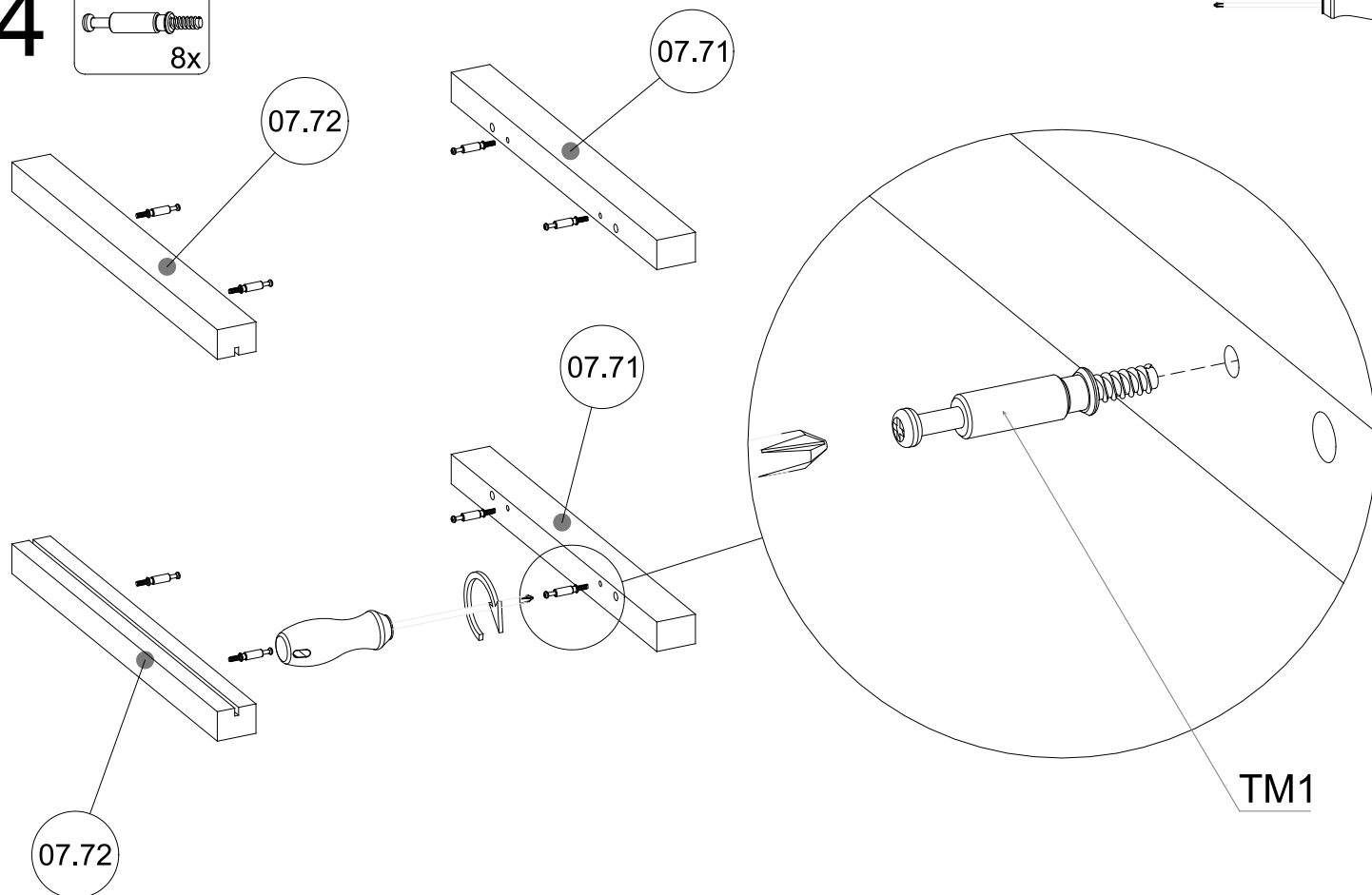


3



4

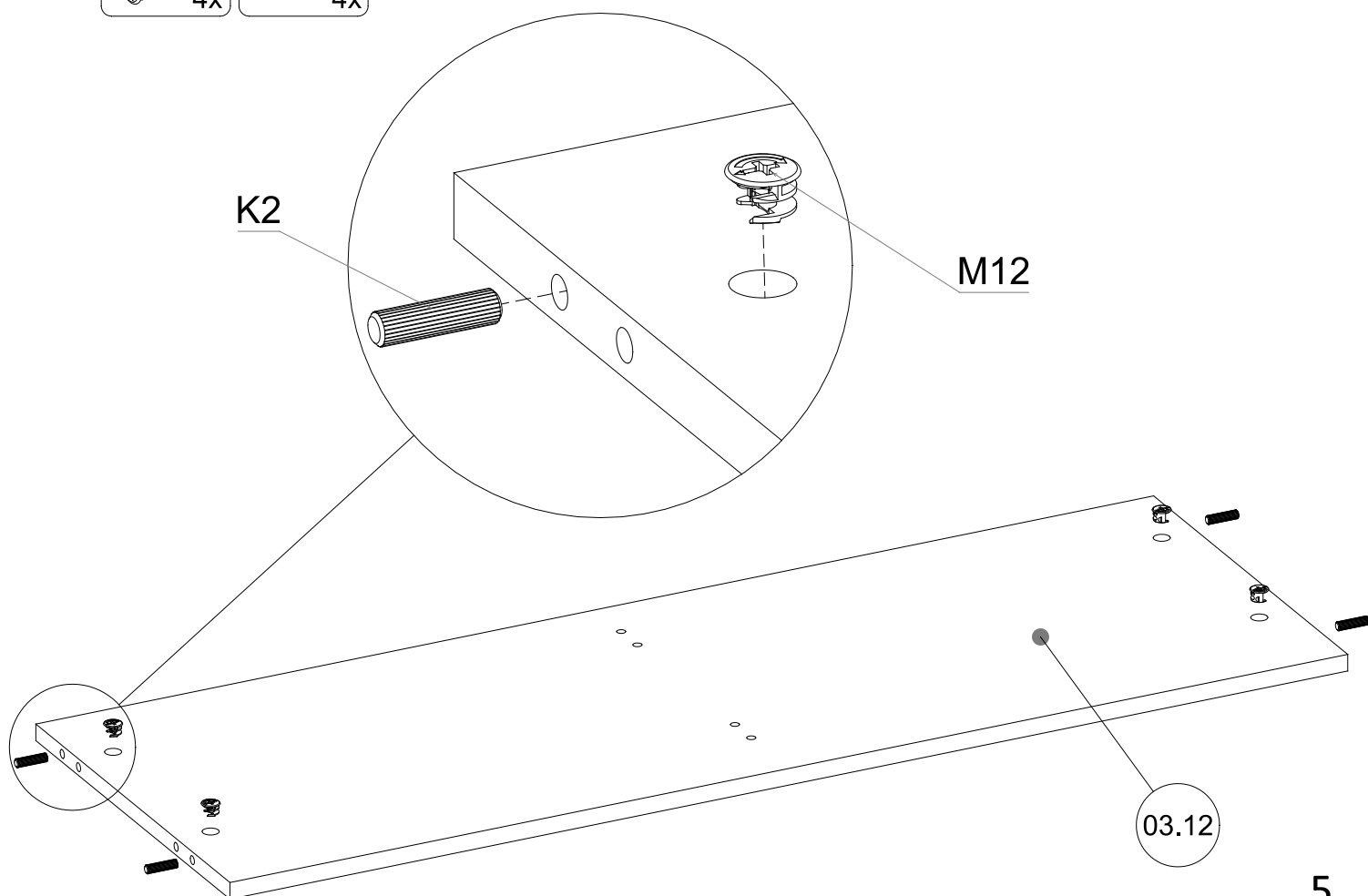
TM1
8x



5

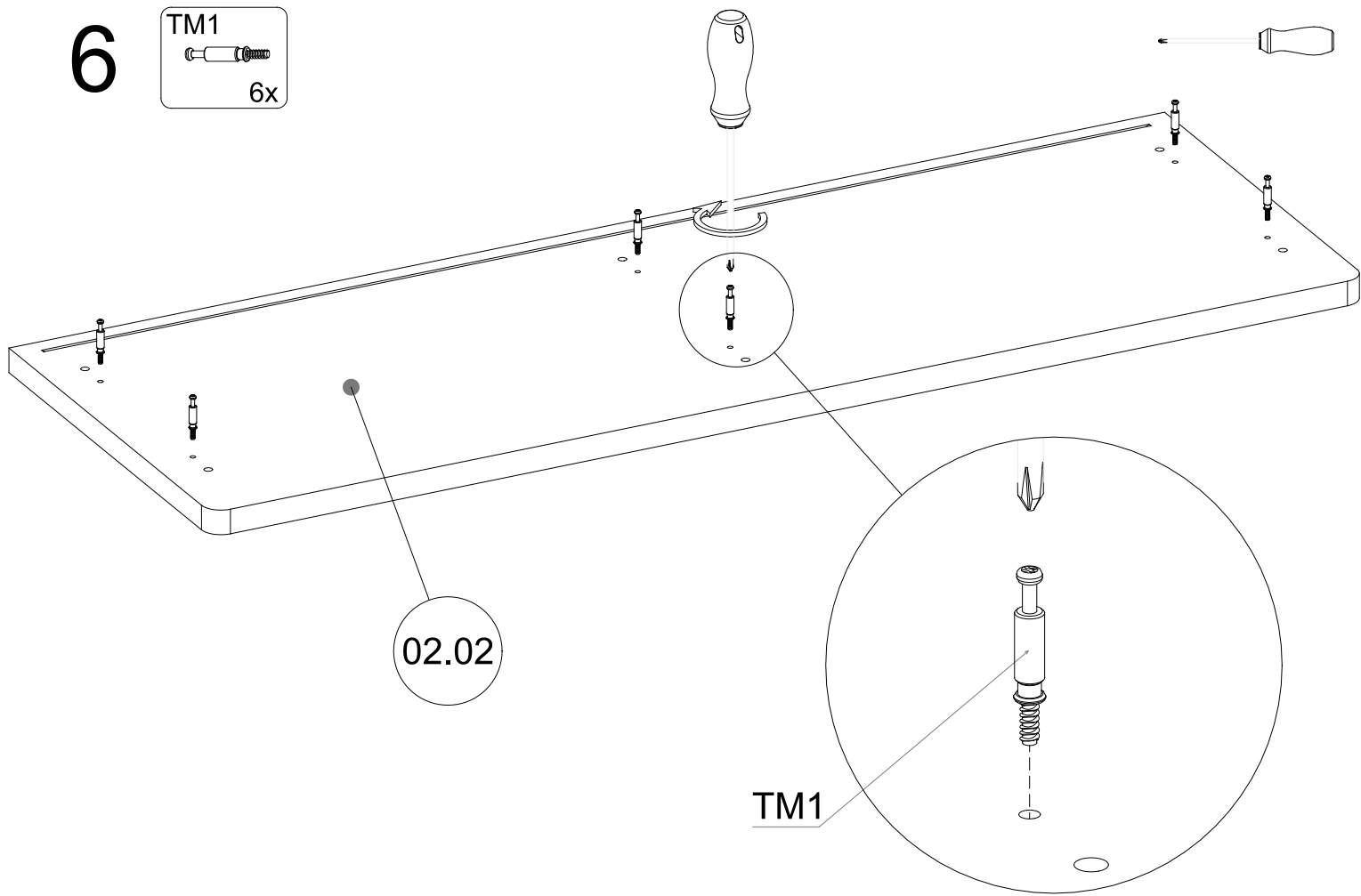
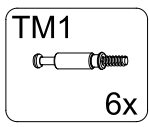
M12 $\varnothing 15 \times 12$
4x

K2 8x30
4x

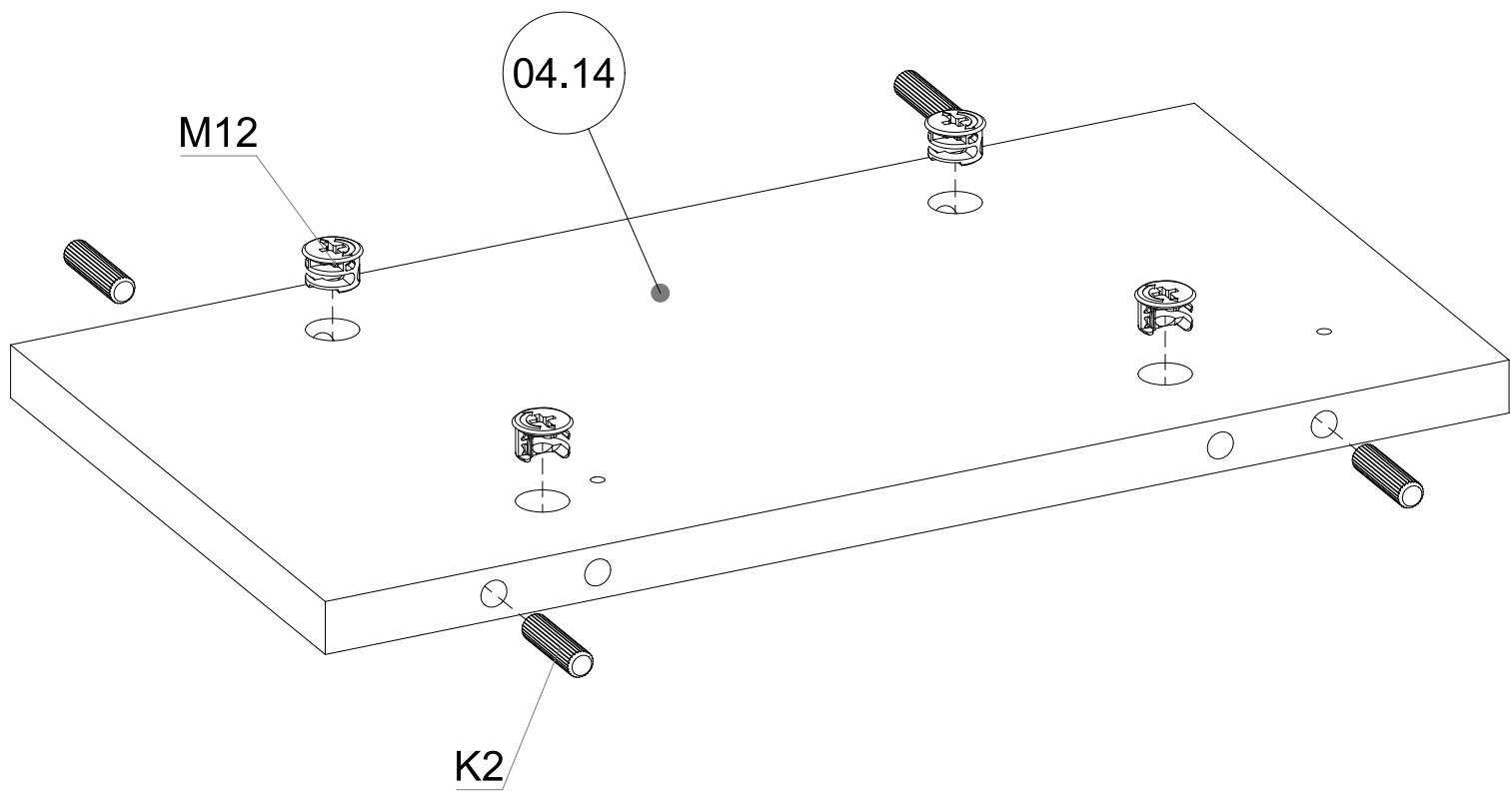
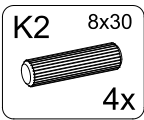
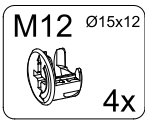


5

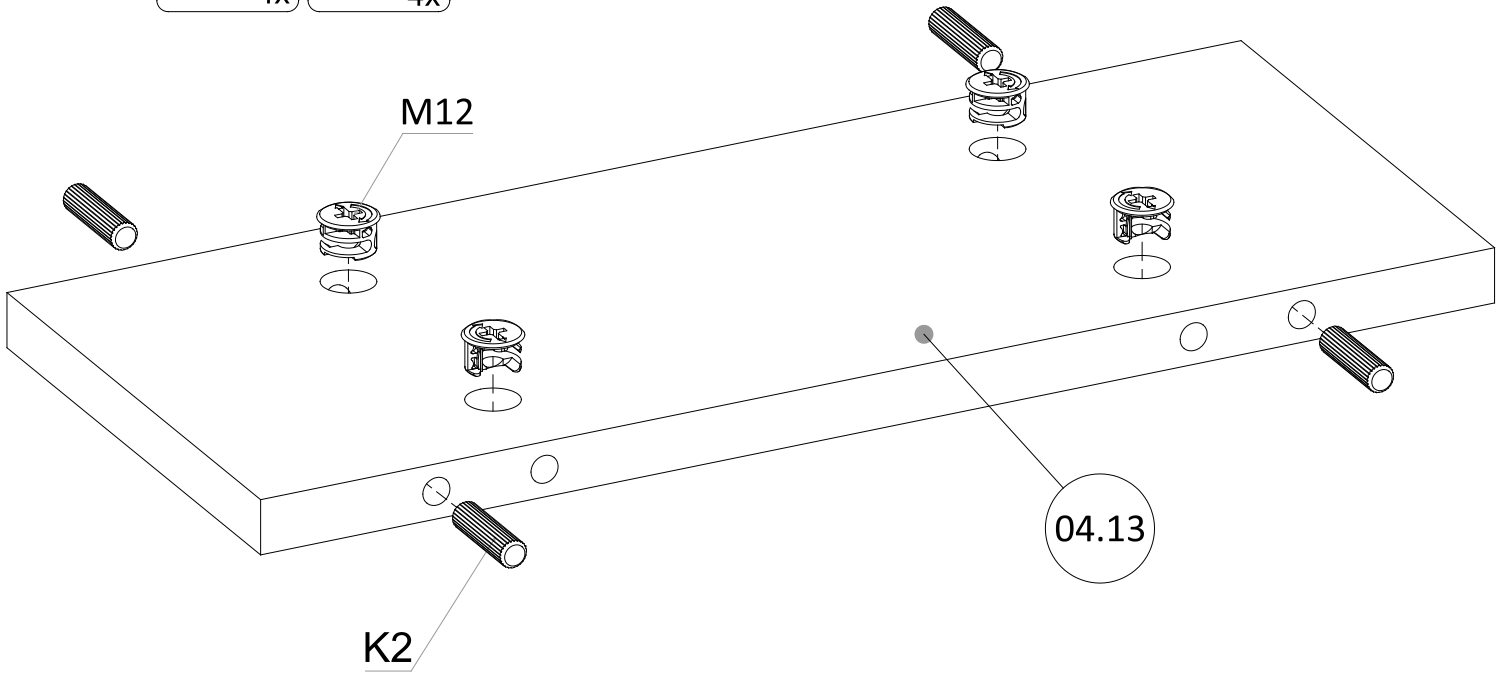
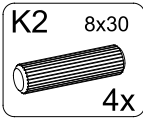
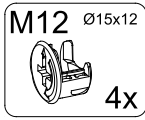
6



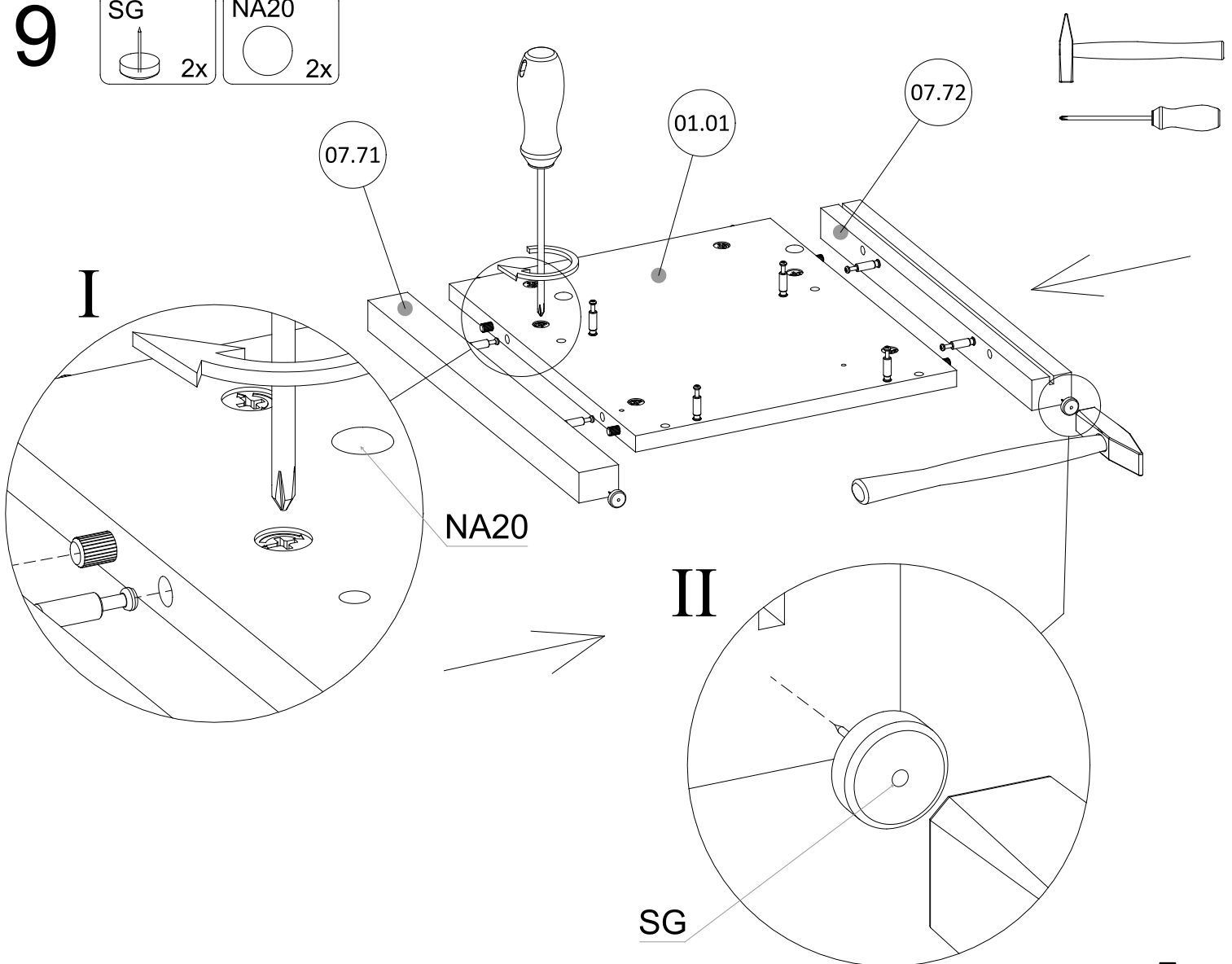
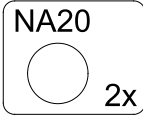
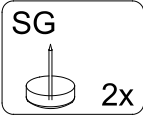
7



8

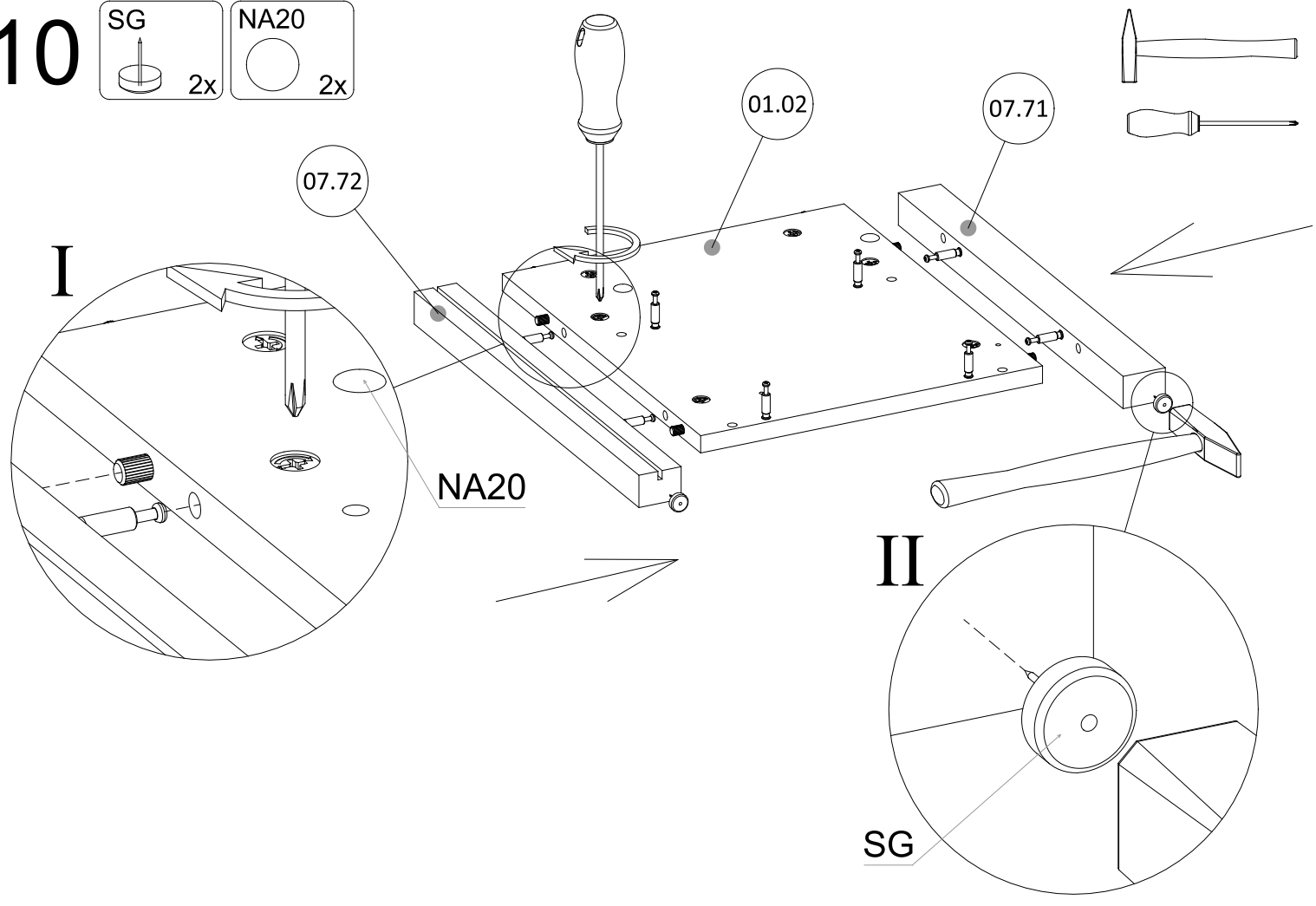


9



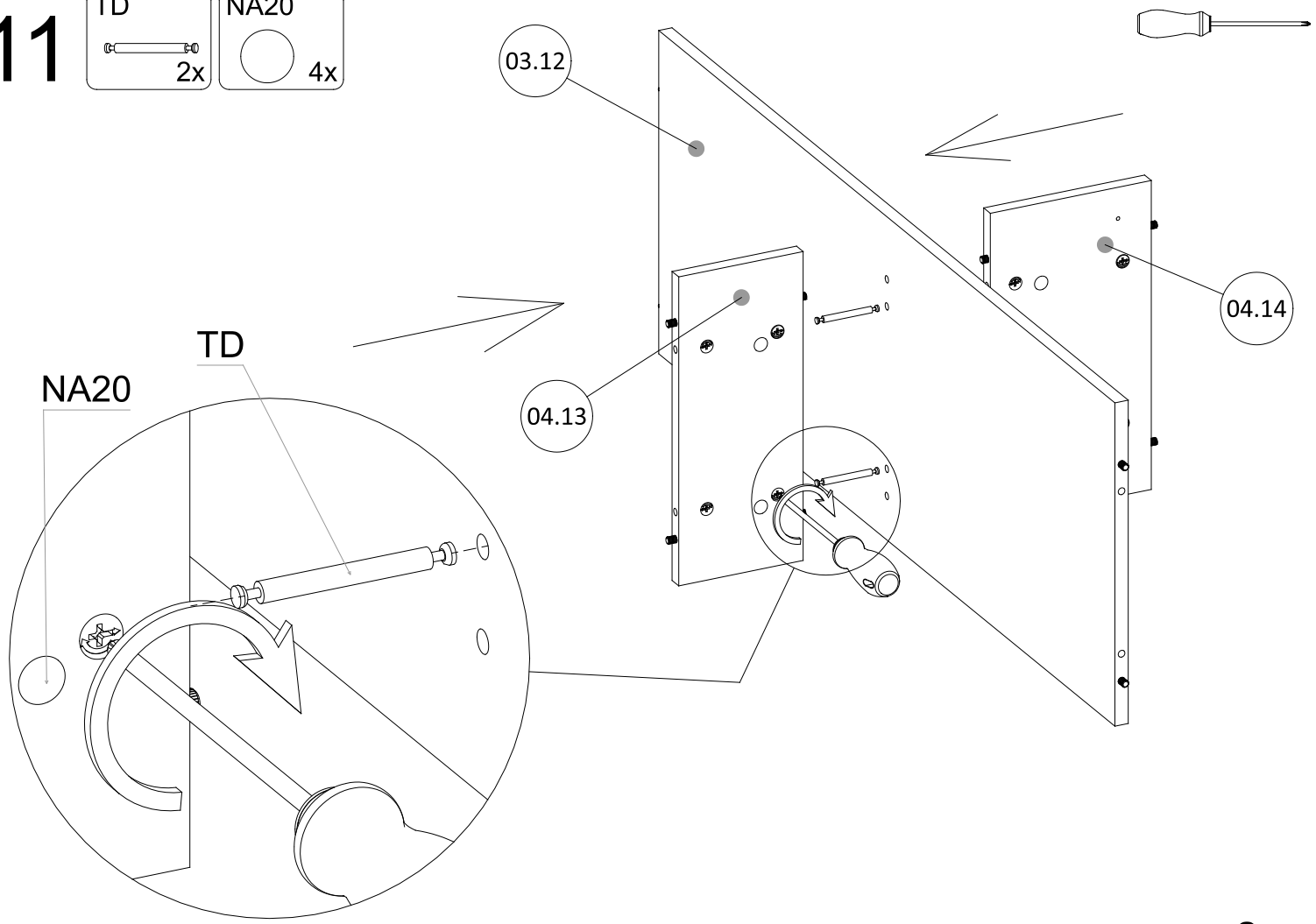
10

- SG 2x
- NA20 2x

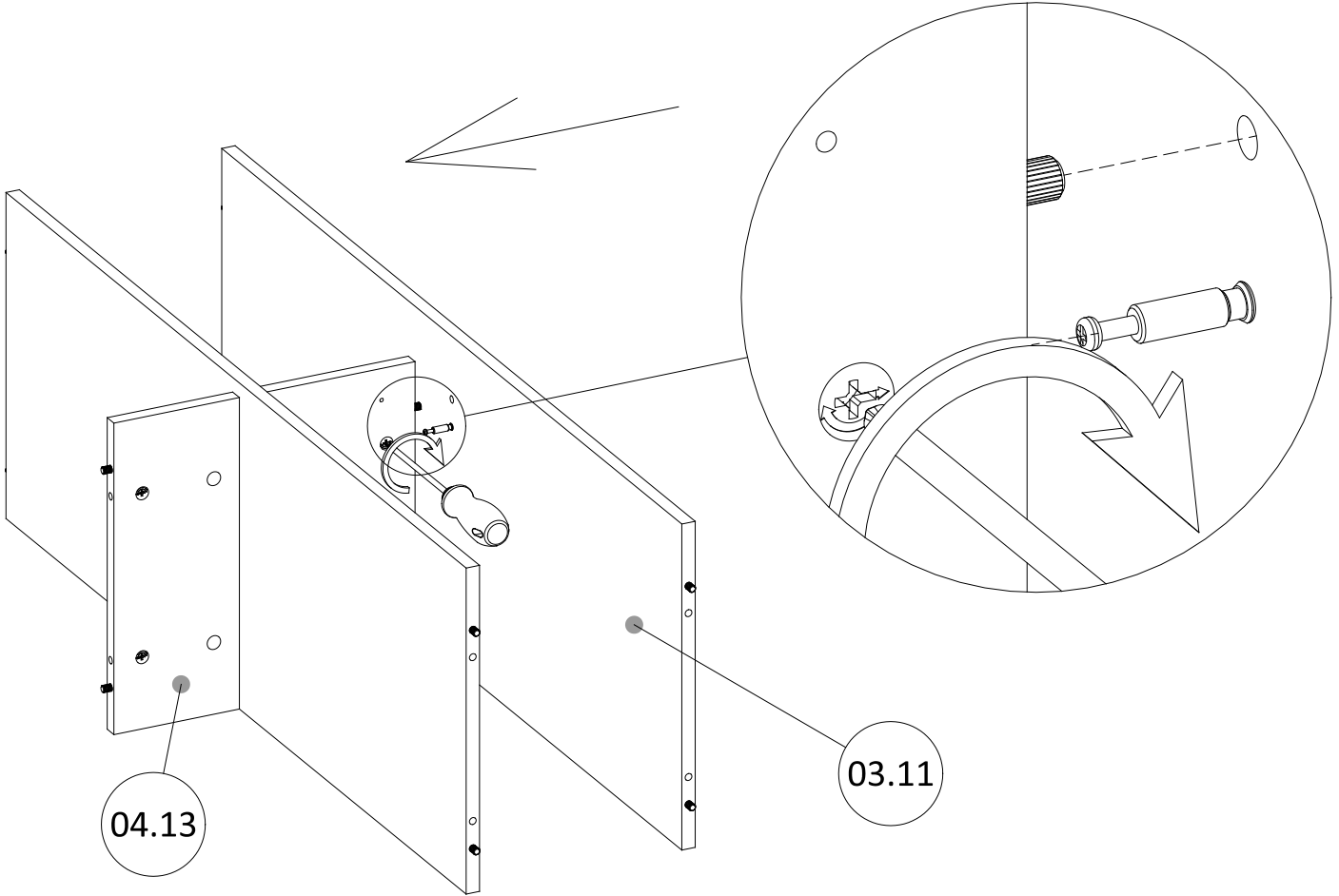
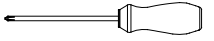


11

- TD 2x
- NA20 4x

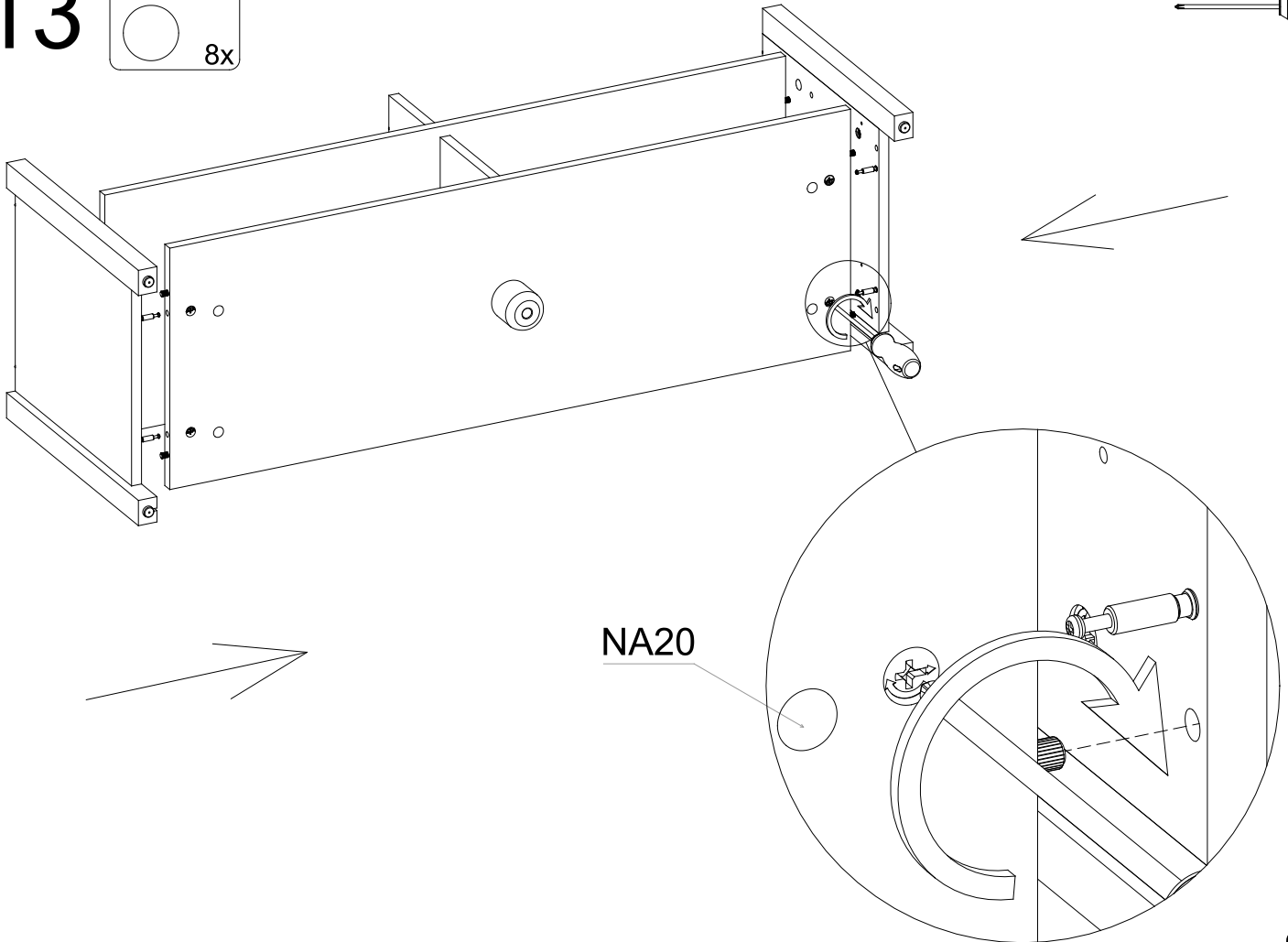
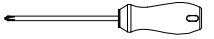


12



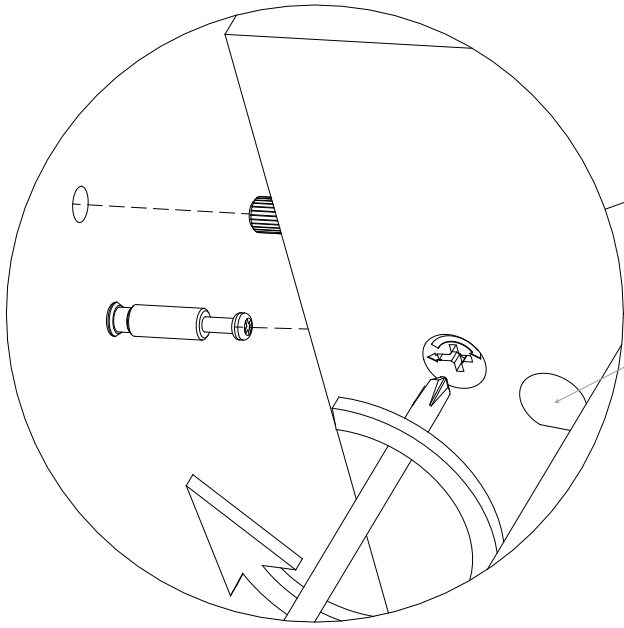
13

NA20
8x

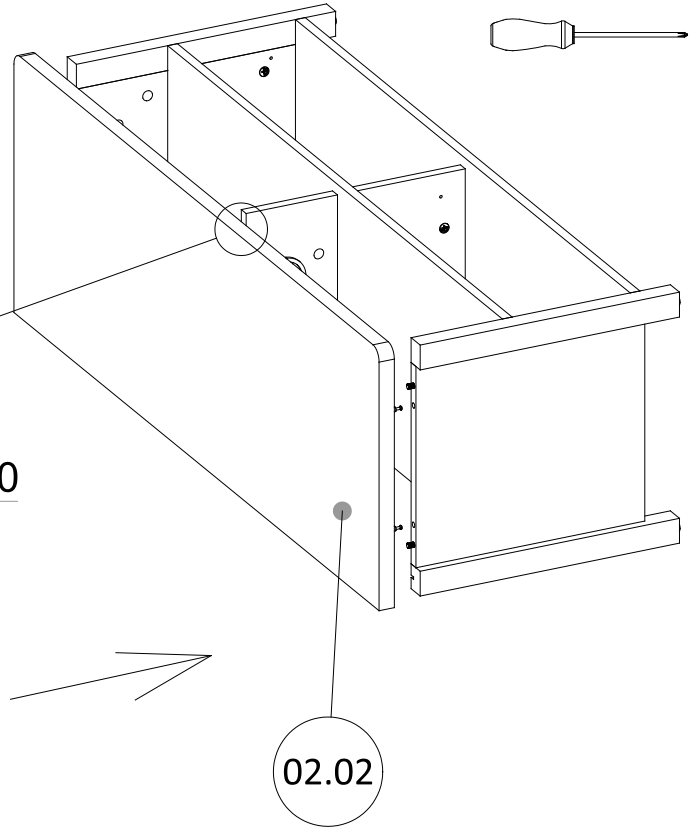


14

NA20
6x



NA20

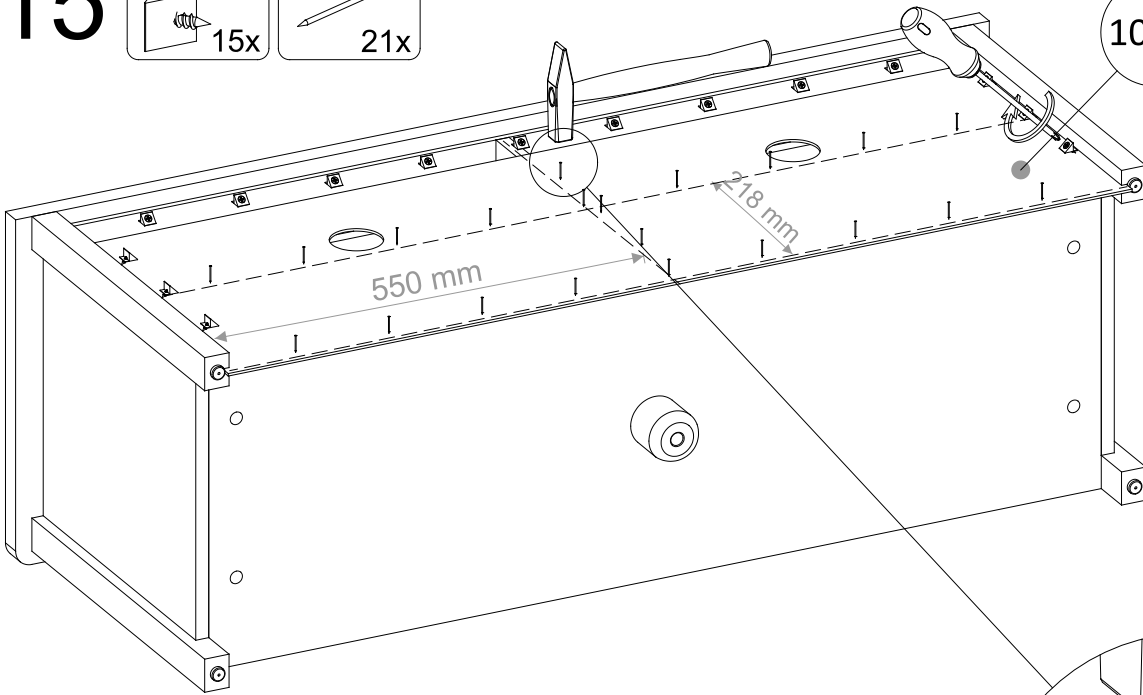


02.02

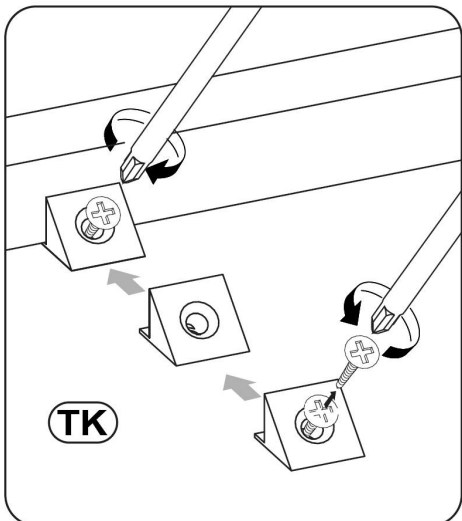
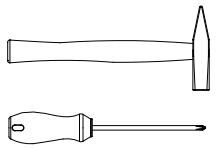
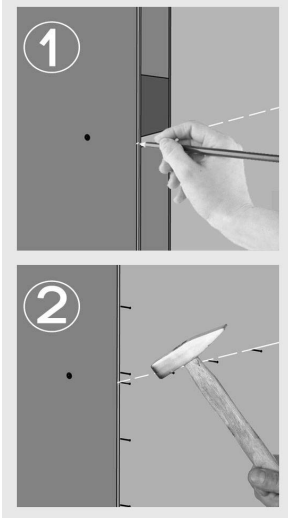
15

TK
15x

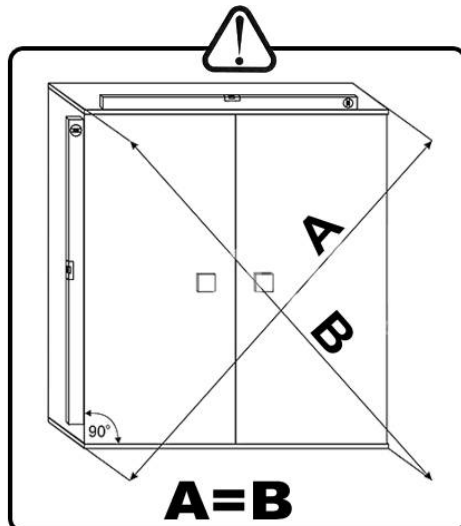
G2 2x20
21x



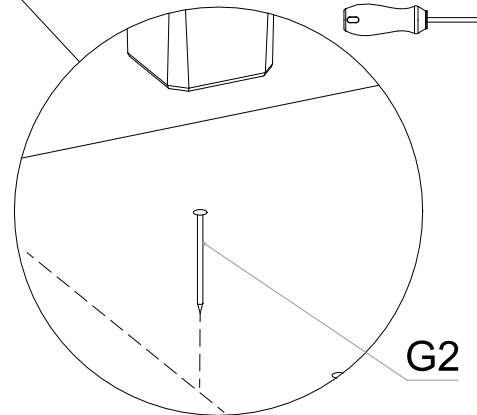
10.11



TK

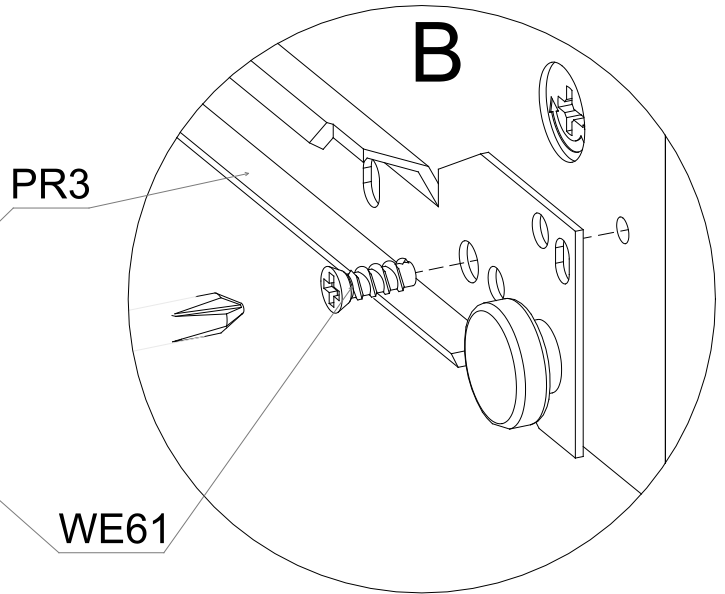
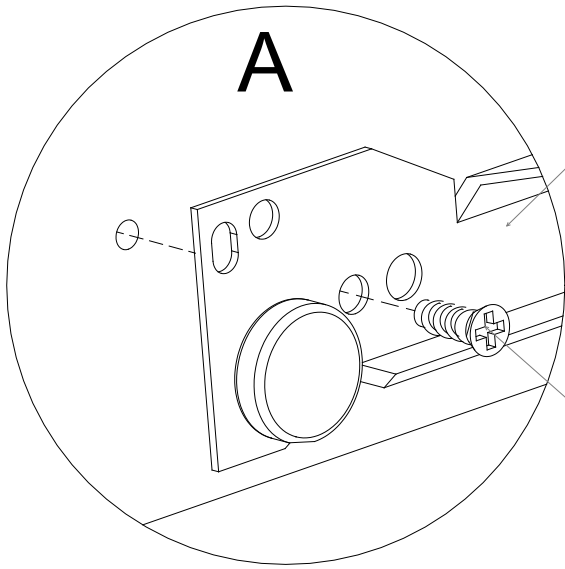
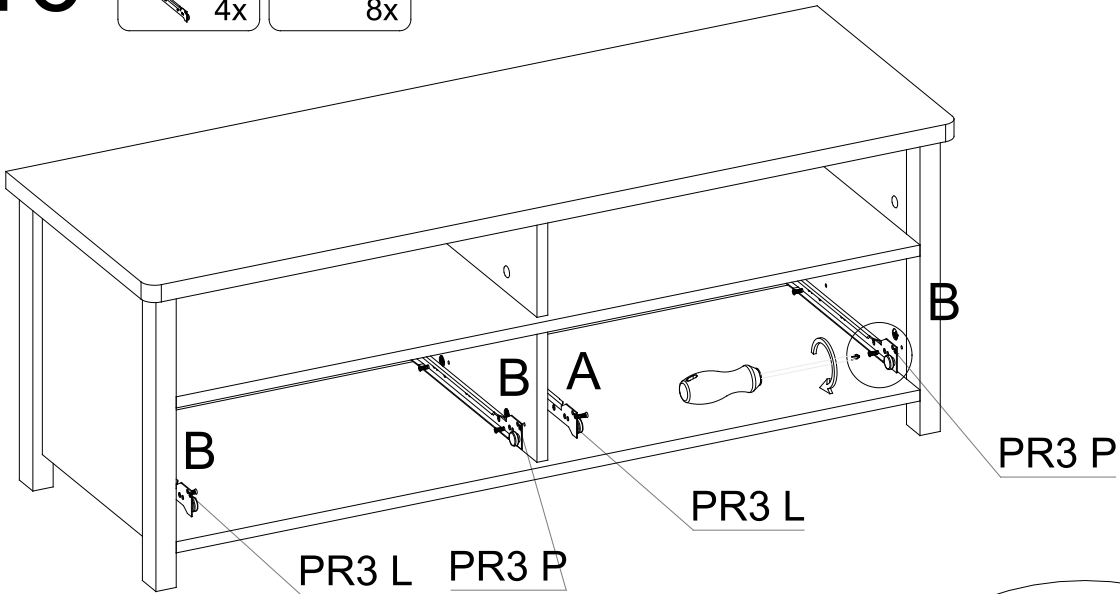
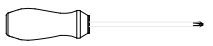
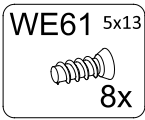
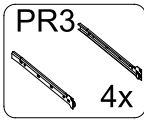


A=B

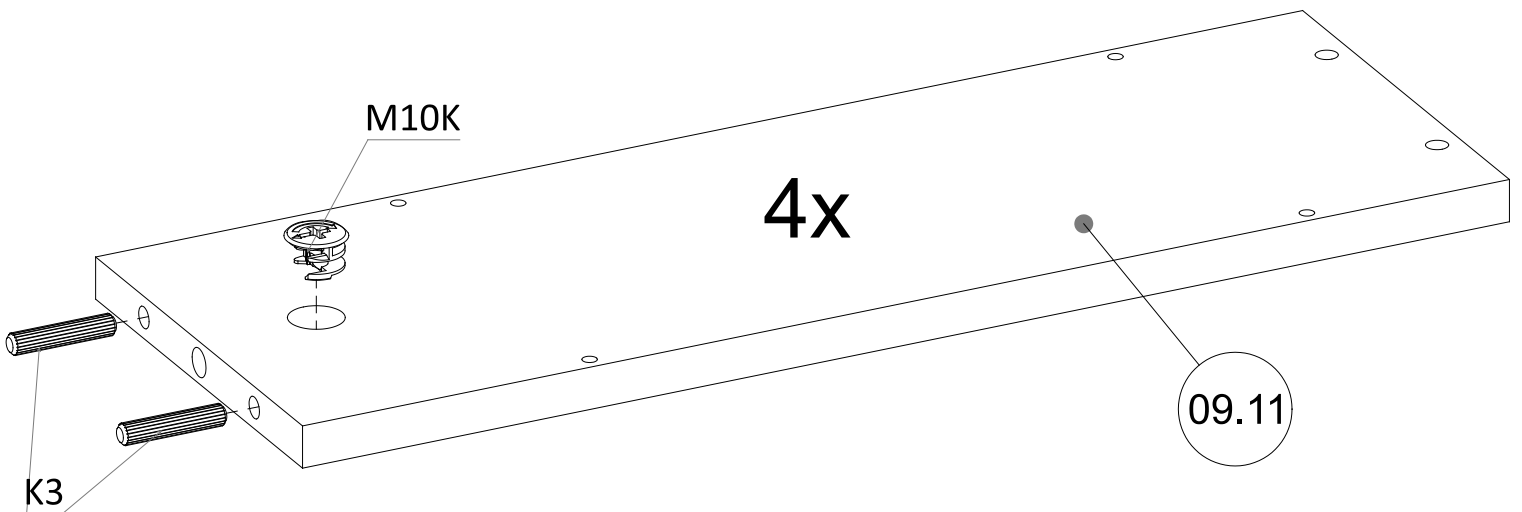
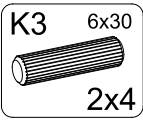
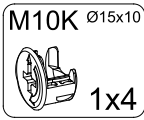


G2

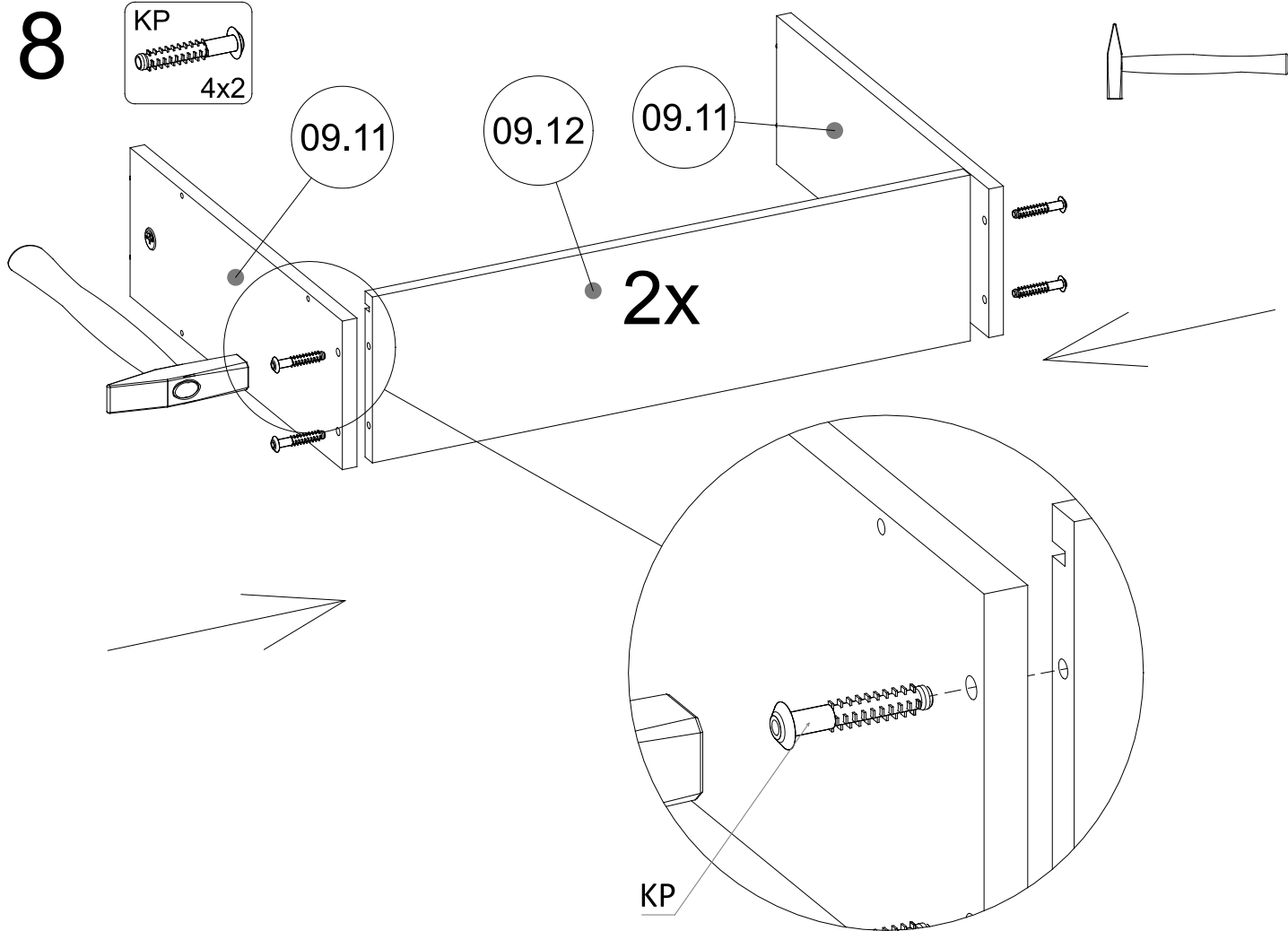
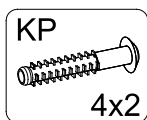
16



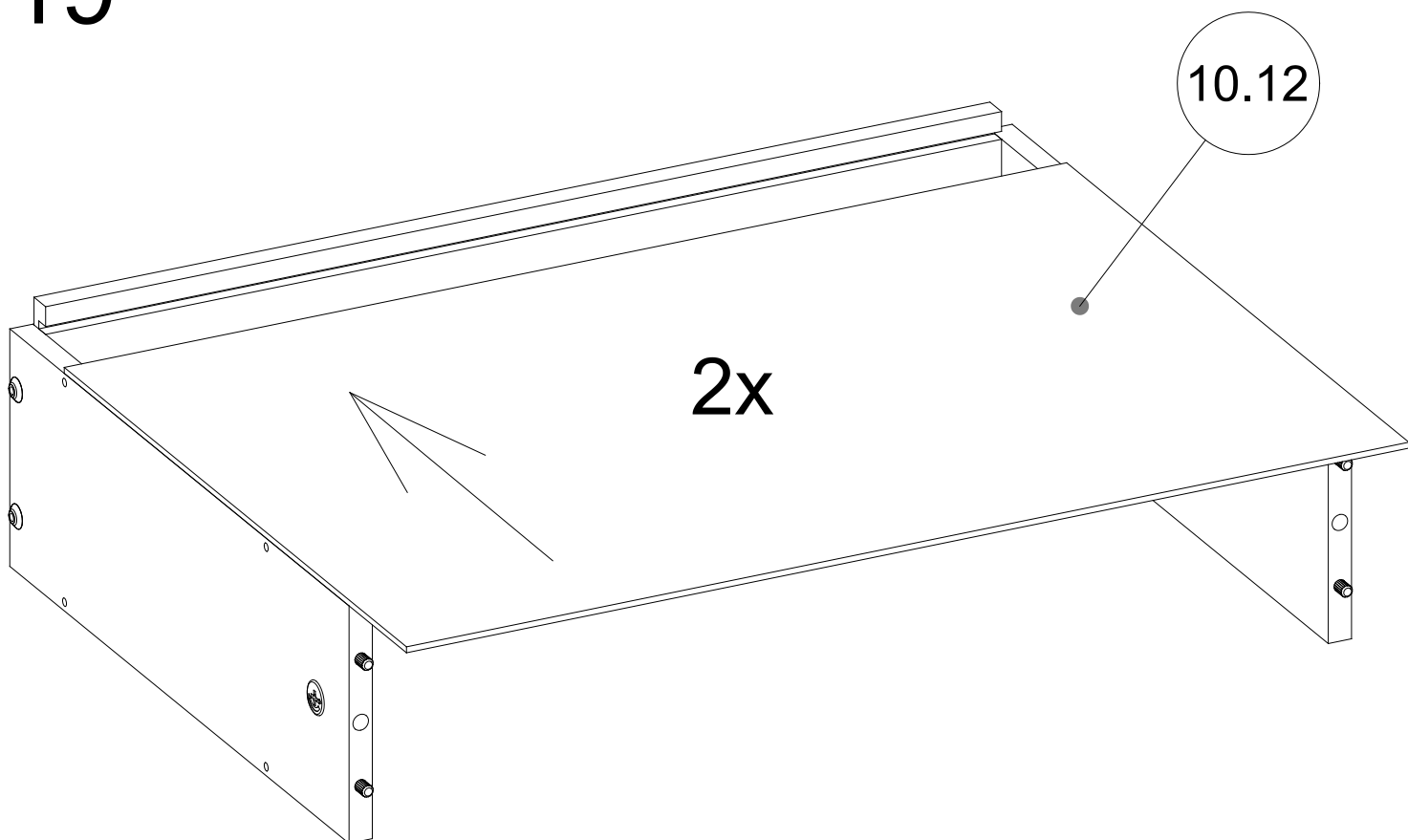
17



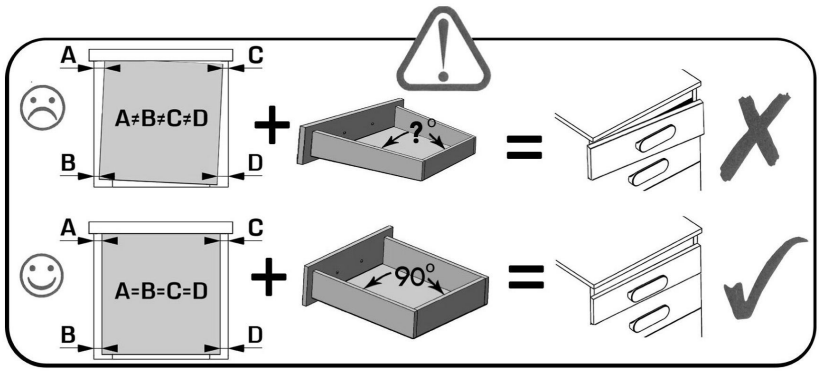
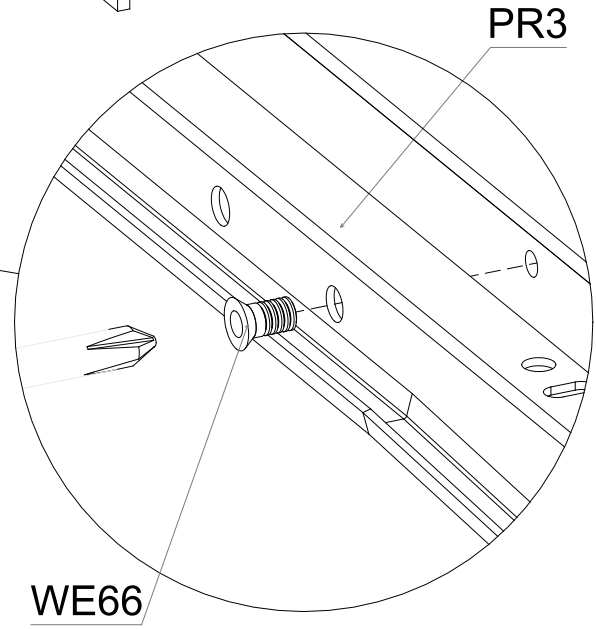
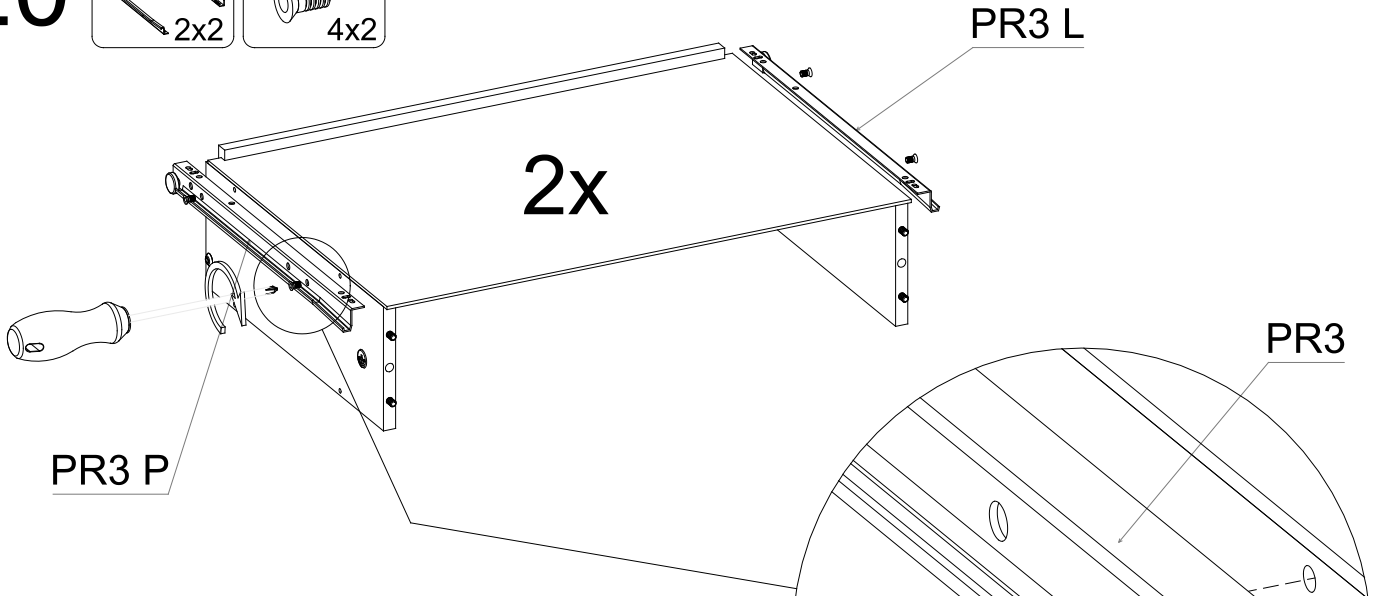
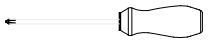
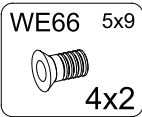
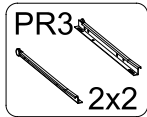
18



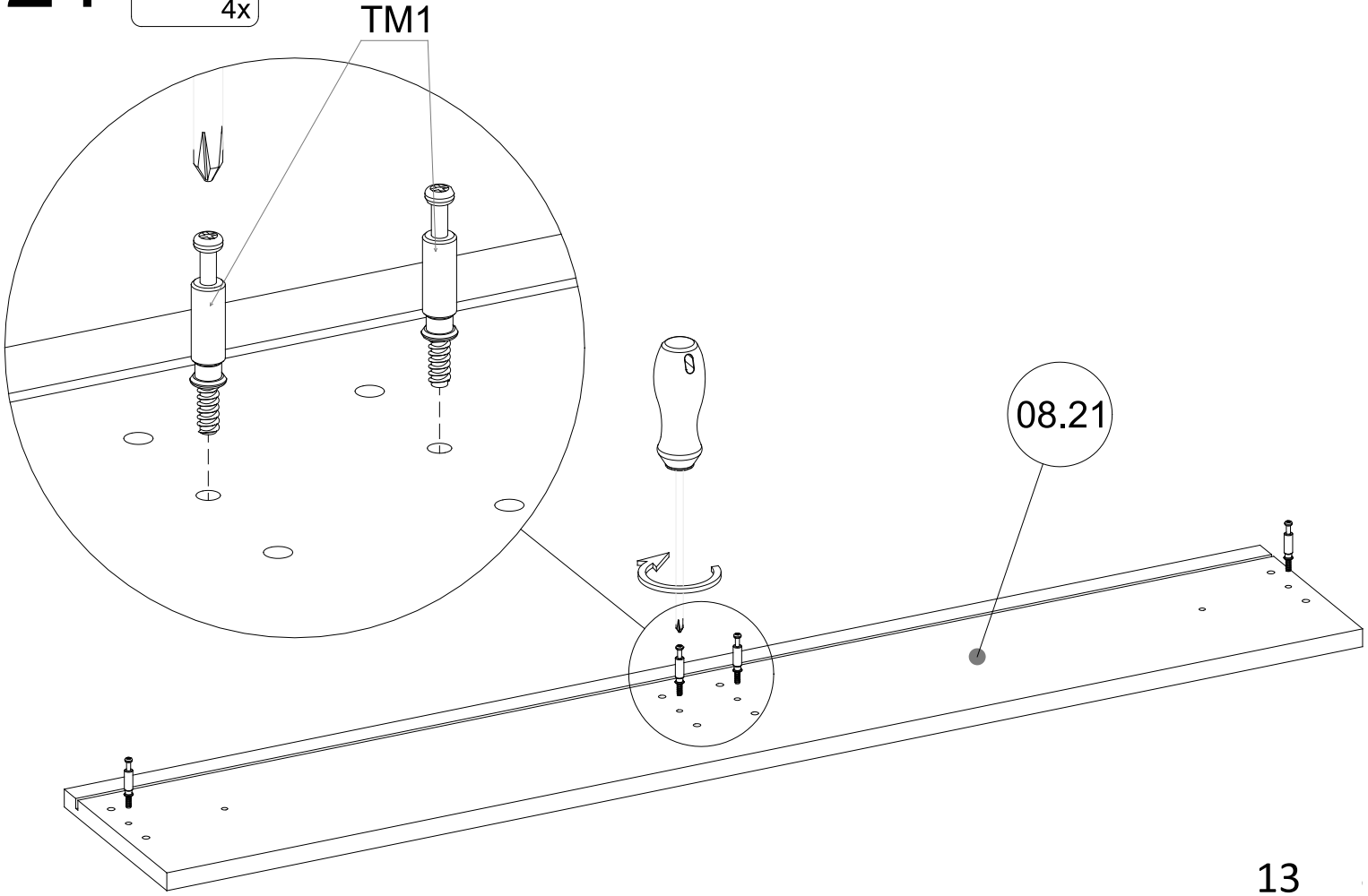
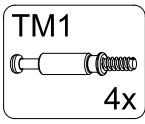
19



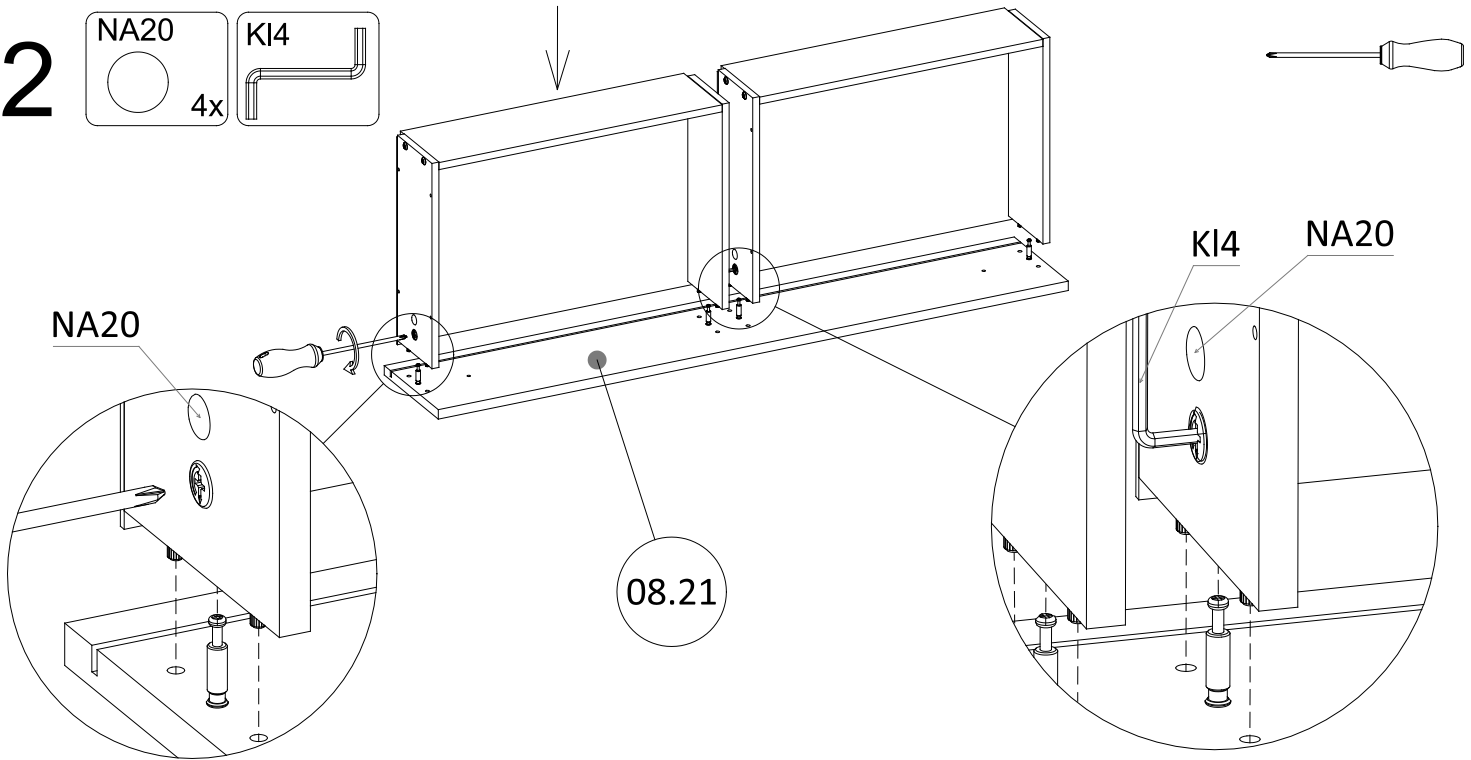
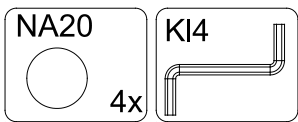
20



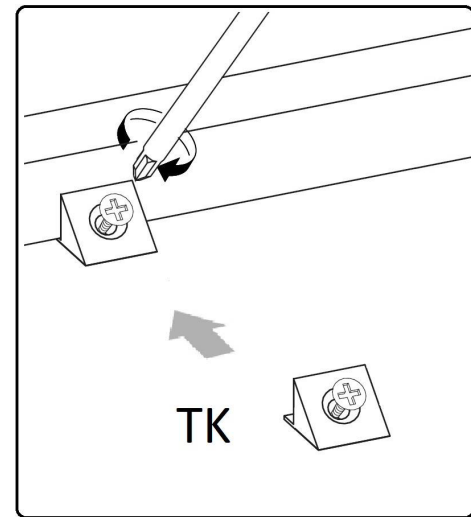
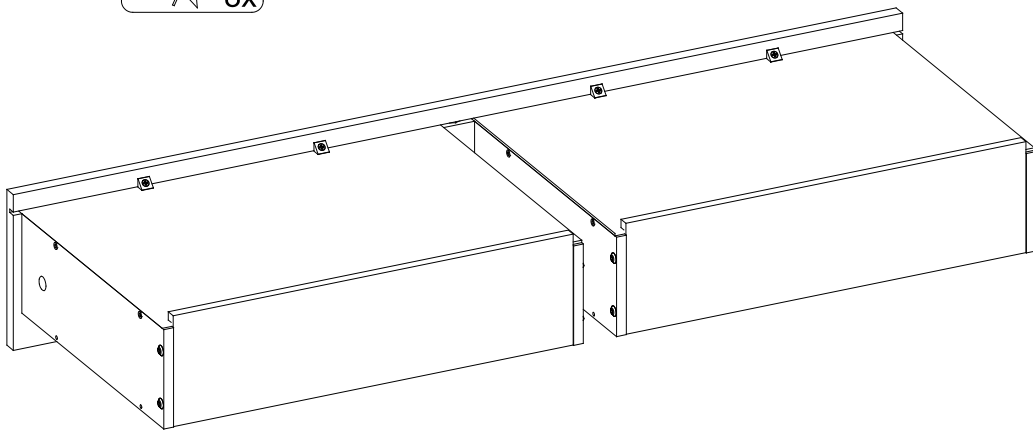
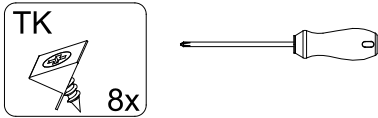
21



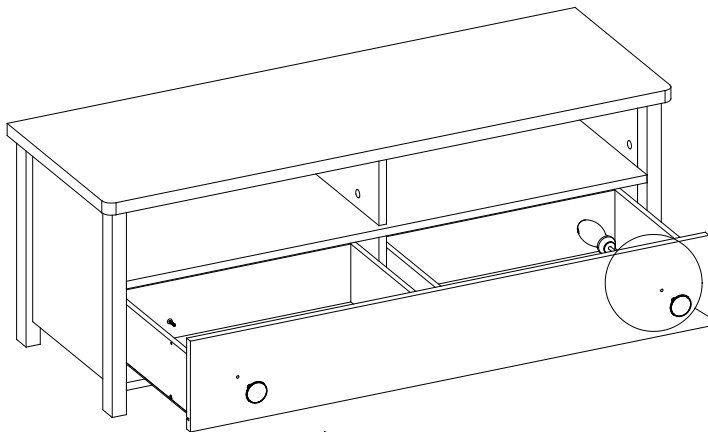
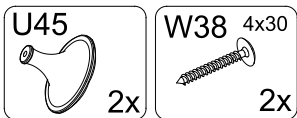
22



23



24



W38

