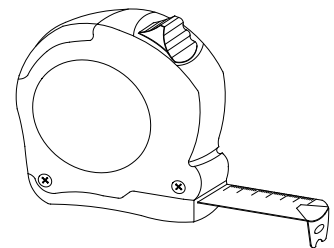
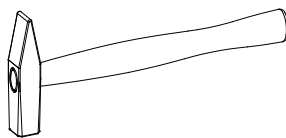
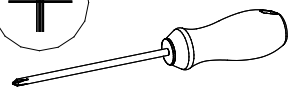
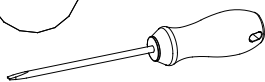
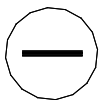
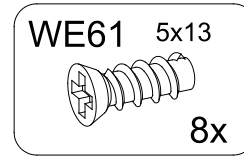
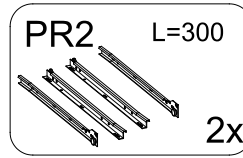
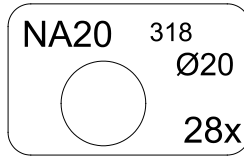
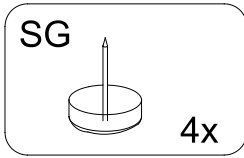
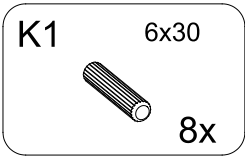
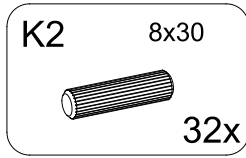
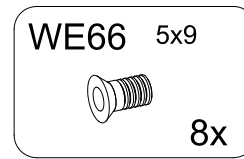
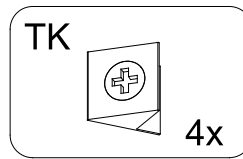
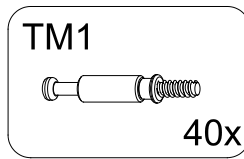
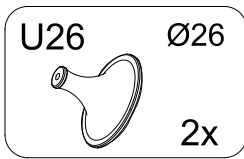
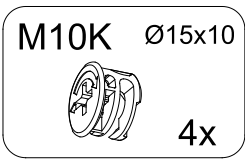
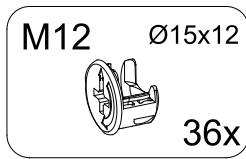
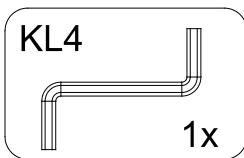
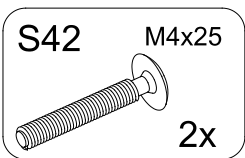
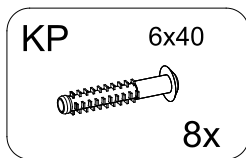
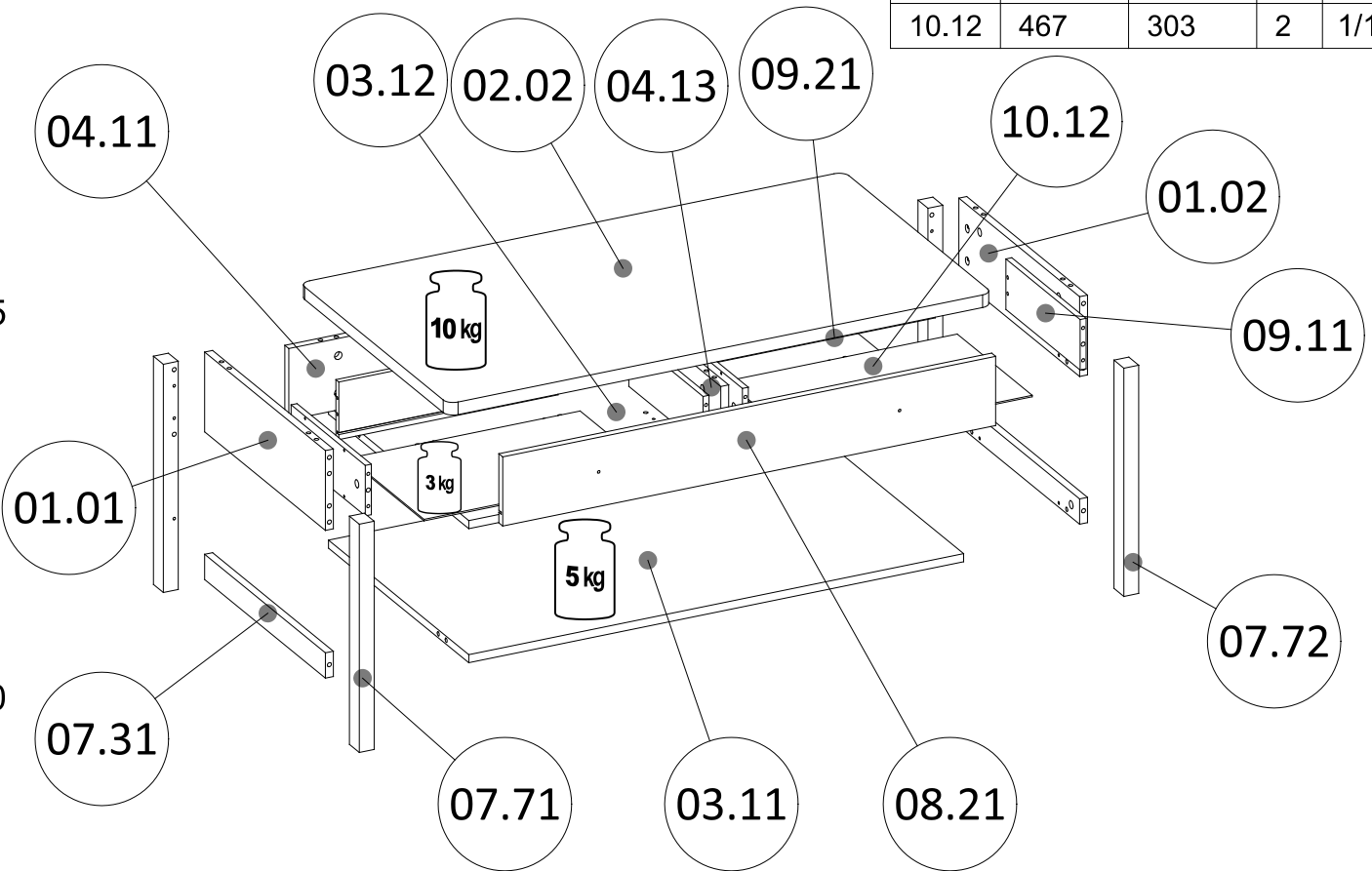
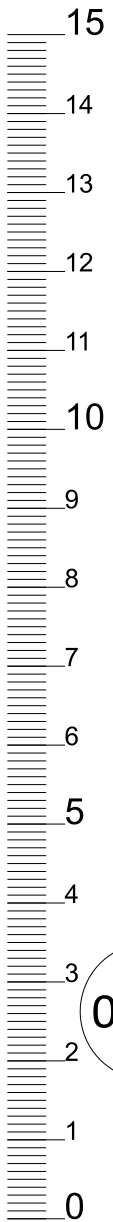


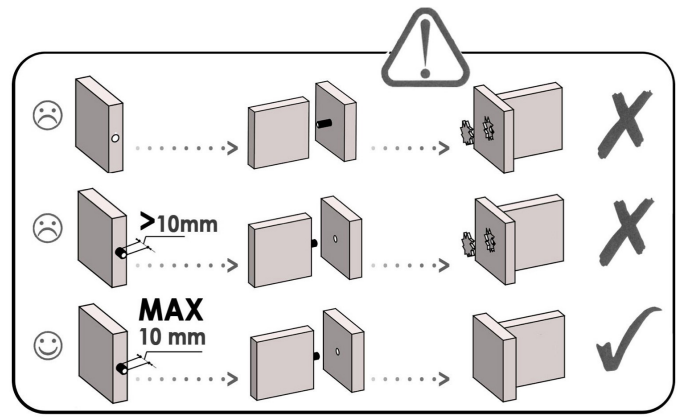
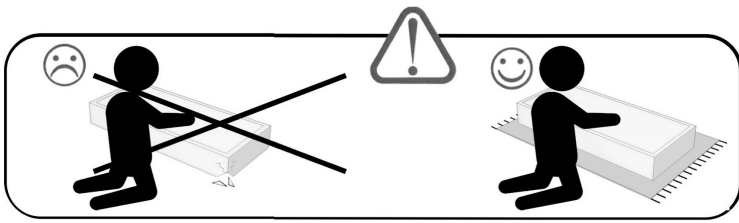
120 min



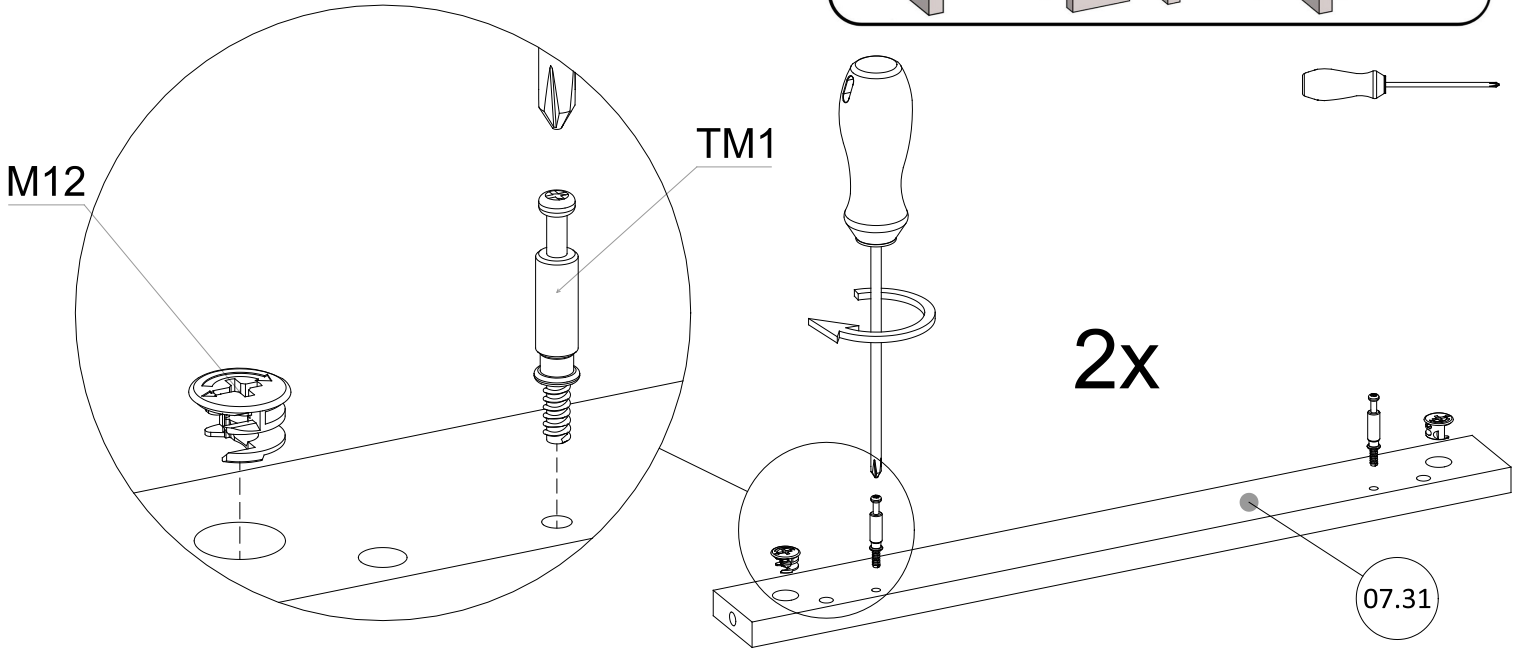
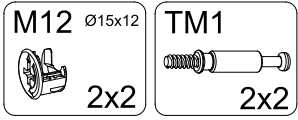
v.3

01.01	488	158	1	1/1
01.02	488	158	1	1/1
02.02	1100	600	1	1/1
03.11	1000	567	1	1/1
03.12	1000	567	1	1/1
04.11	1000	141.5	1	1/1
04.13	315.5	141.5	1	1/1
07.31	488	50	2	1/1
07.71	452	40	2	1/1
07.72	452	40	2	1/1
08.21	996	137	1	1/1
09.11	300	100	4	1/1
09.21	443	114	2	1/1
10.12	467	303	2	1/1

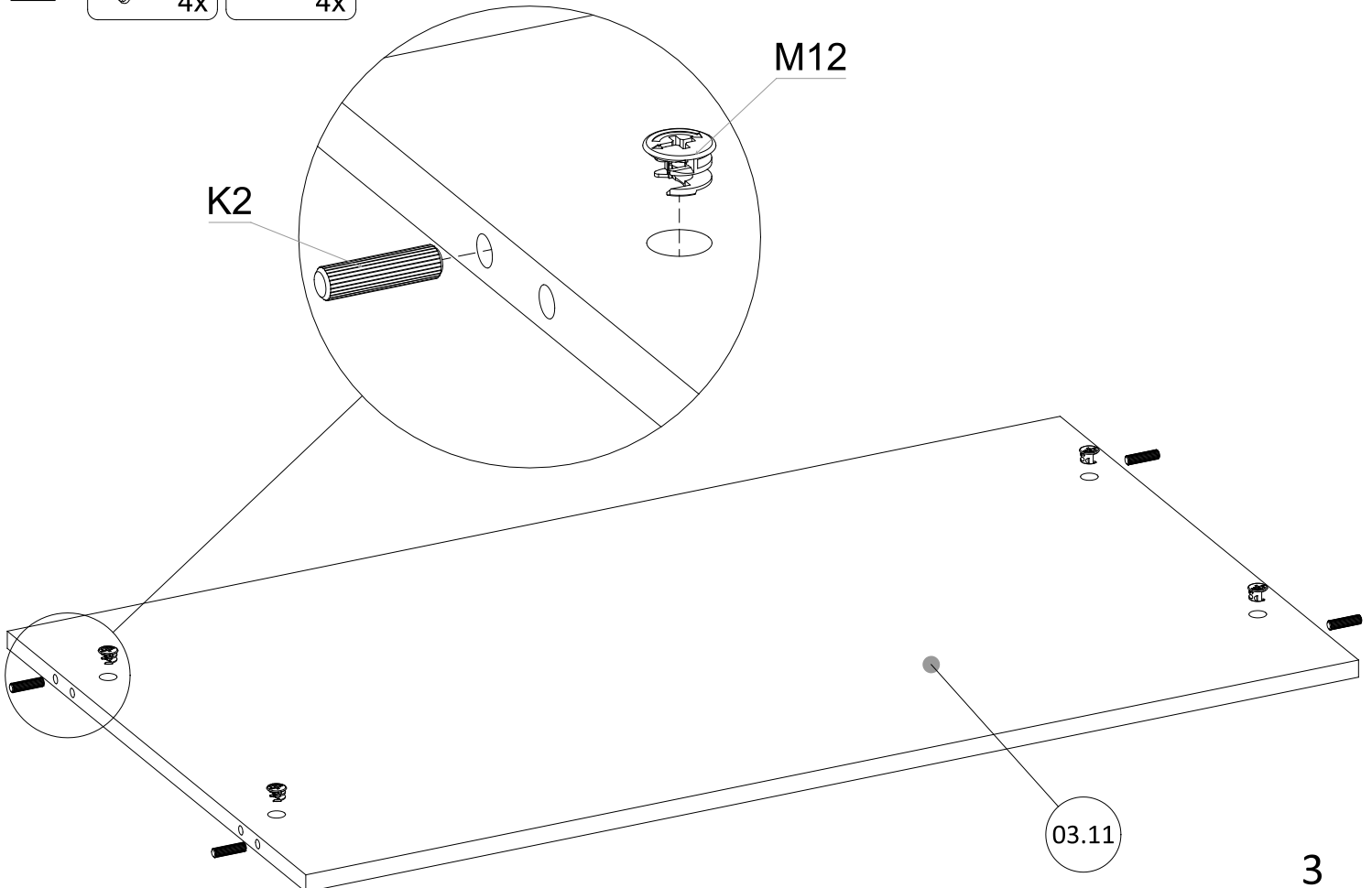
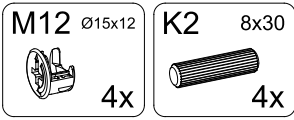




1



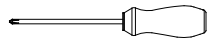
2



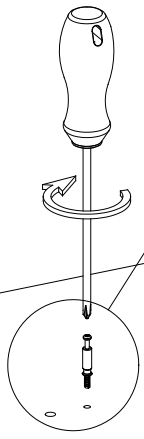
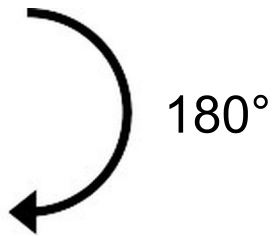
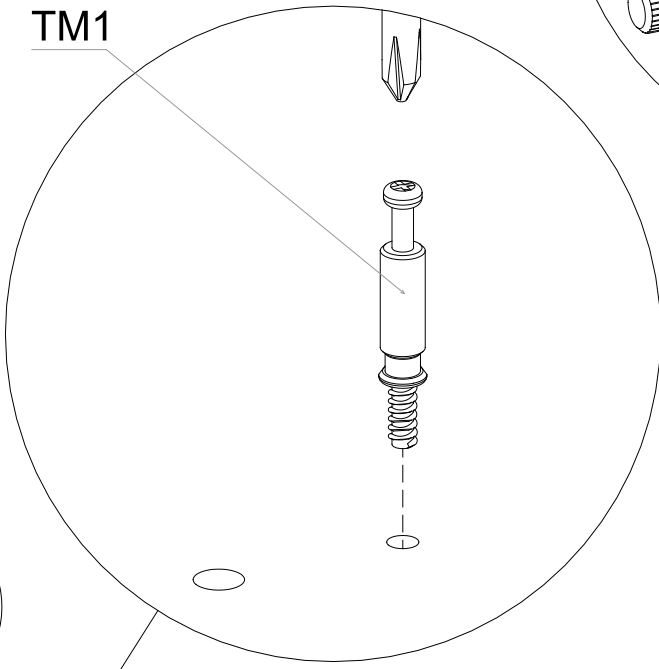
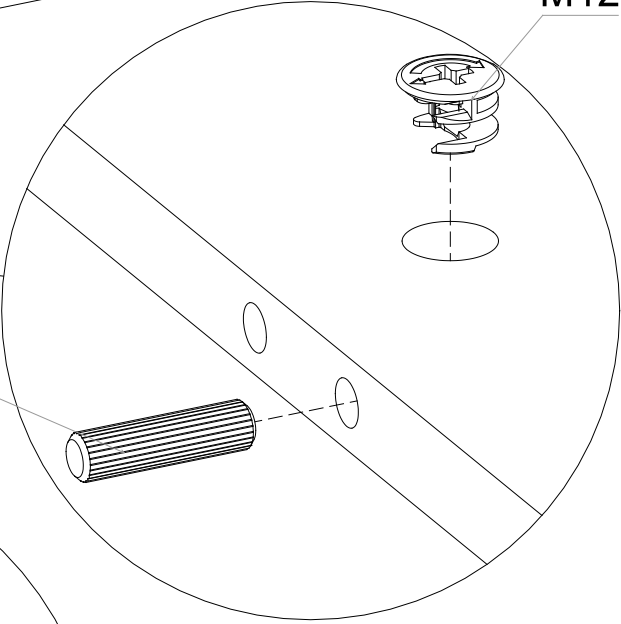
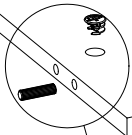
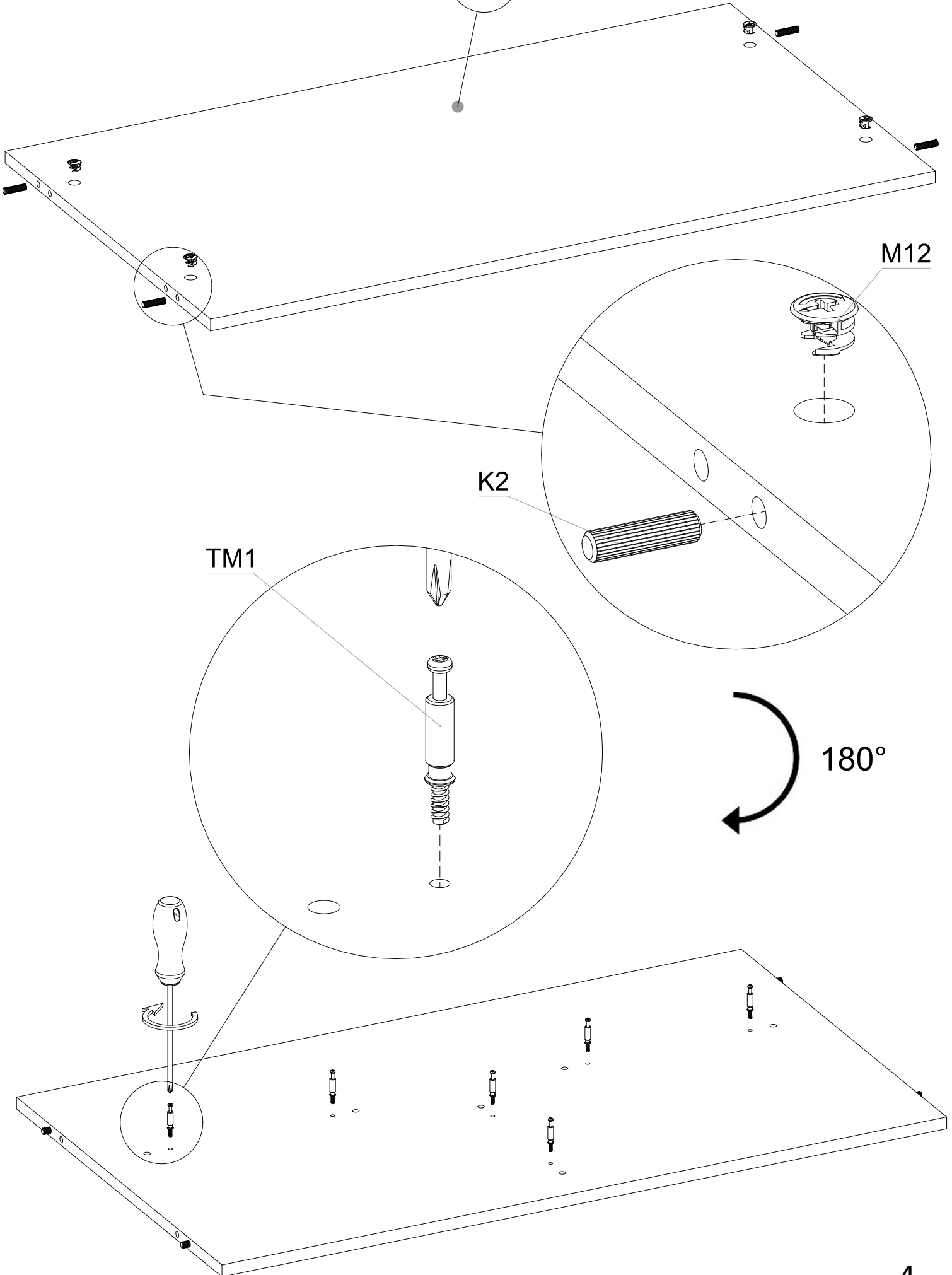
3

3

- M12  $\varnothing 15 \times 12$  4x
- K2 8x30 4x
- TM1 6x

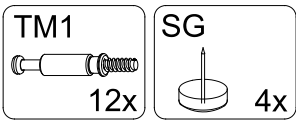


03.12

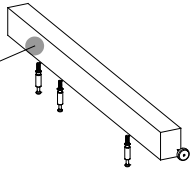


4

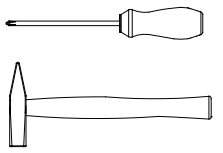
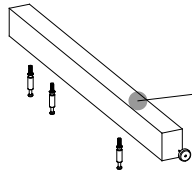
4



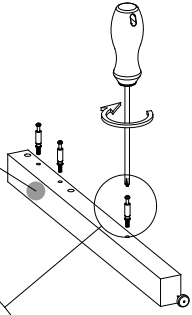
07.71



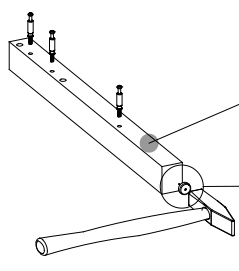
07.72



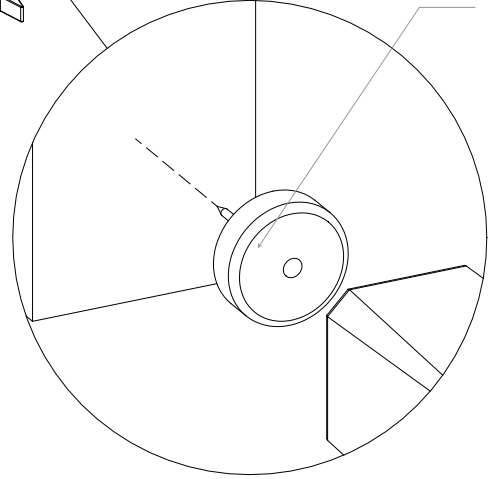
07.72



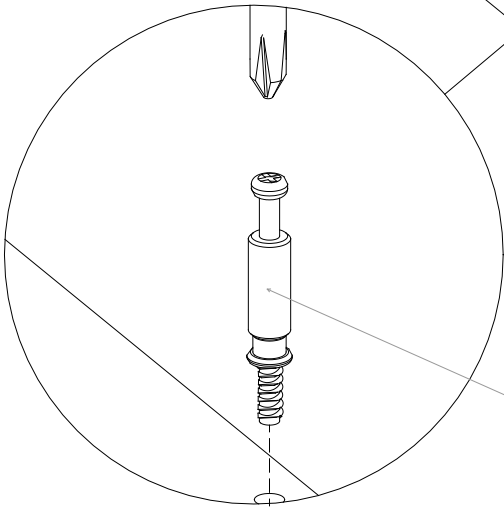
07.71



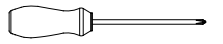
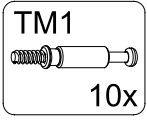
SG



TM1



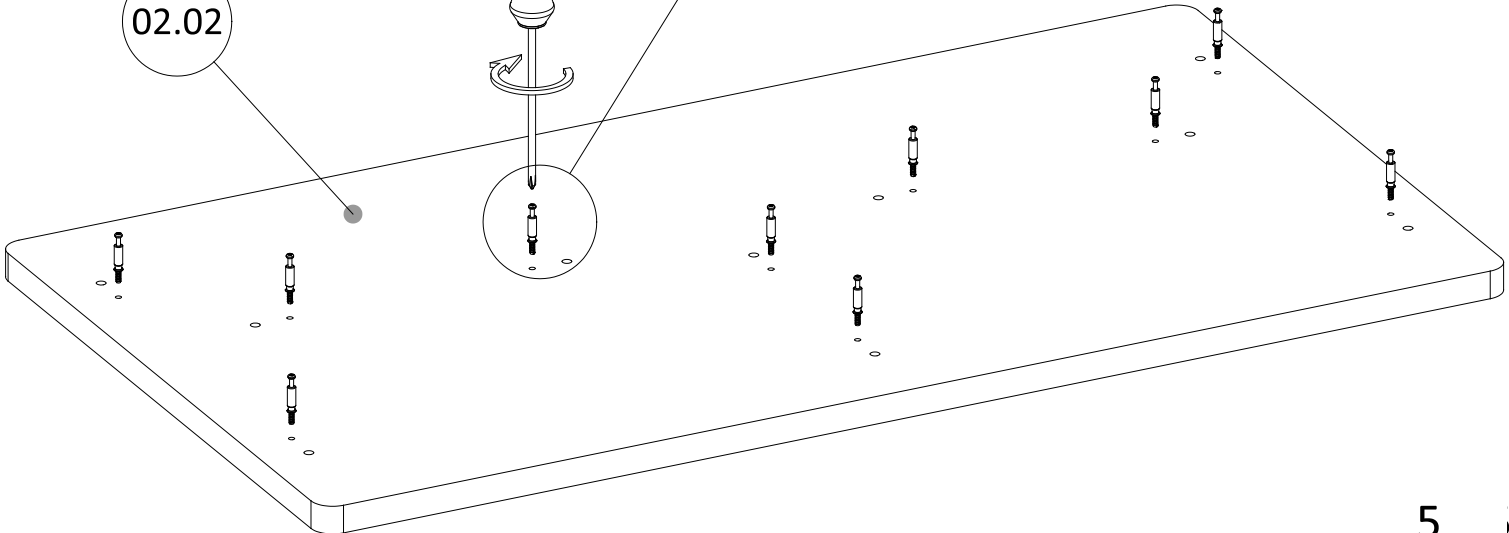
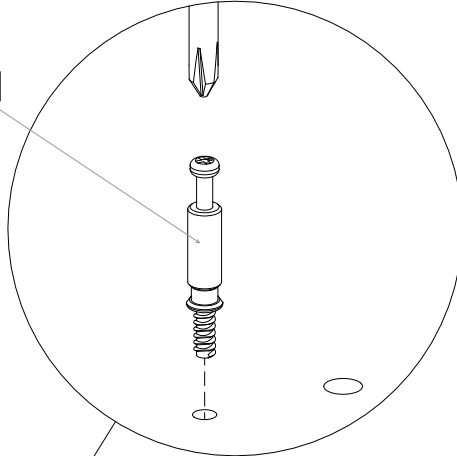
5



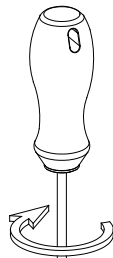
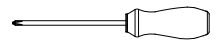
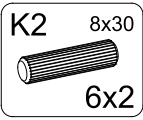
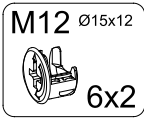
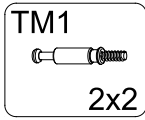
02.02



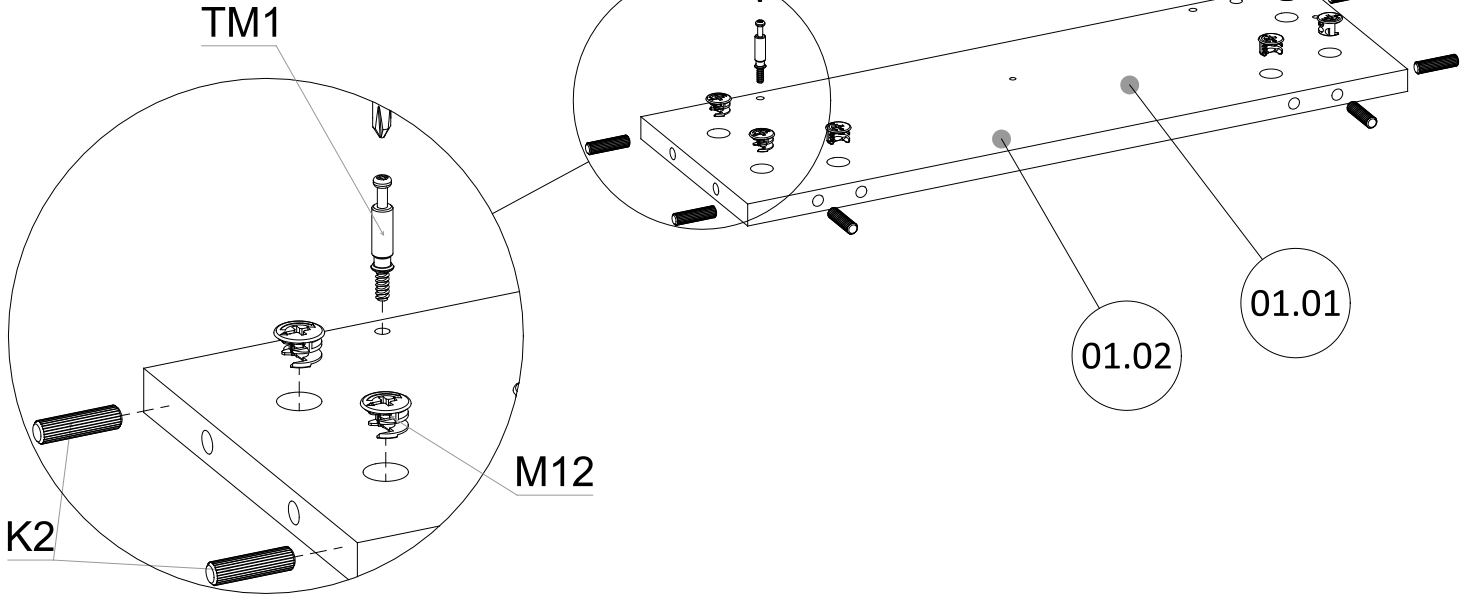
TM1



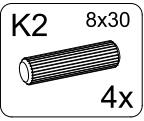
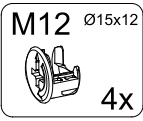
# 6



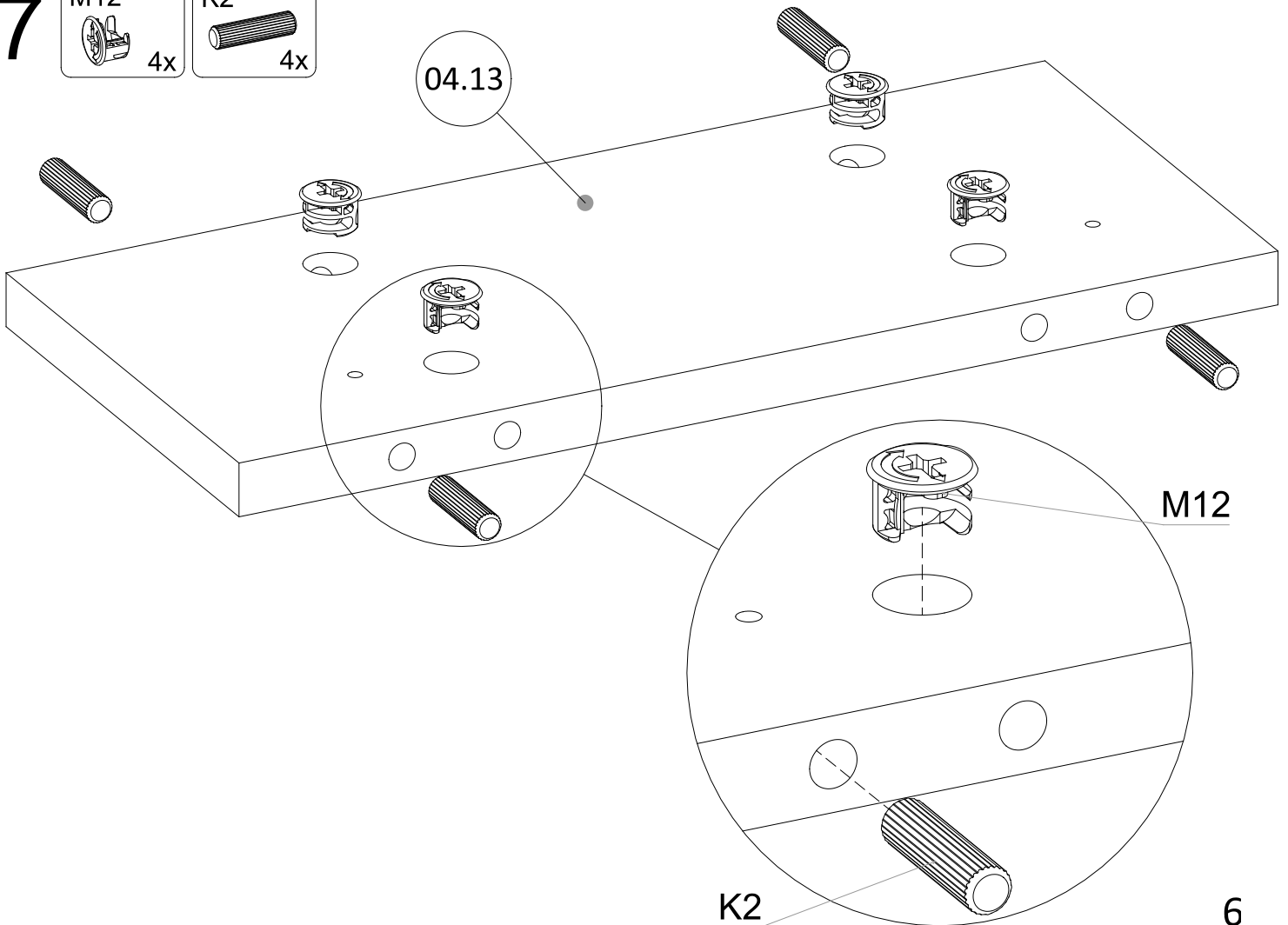
## 2x



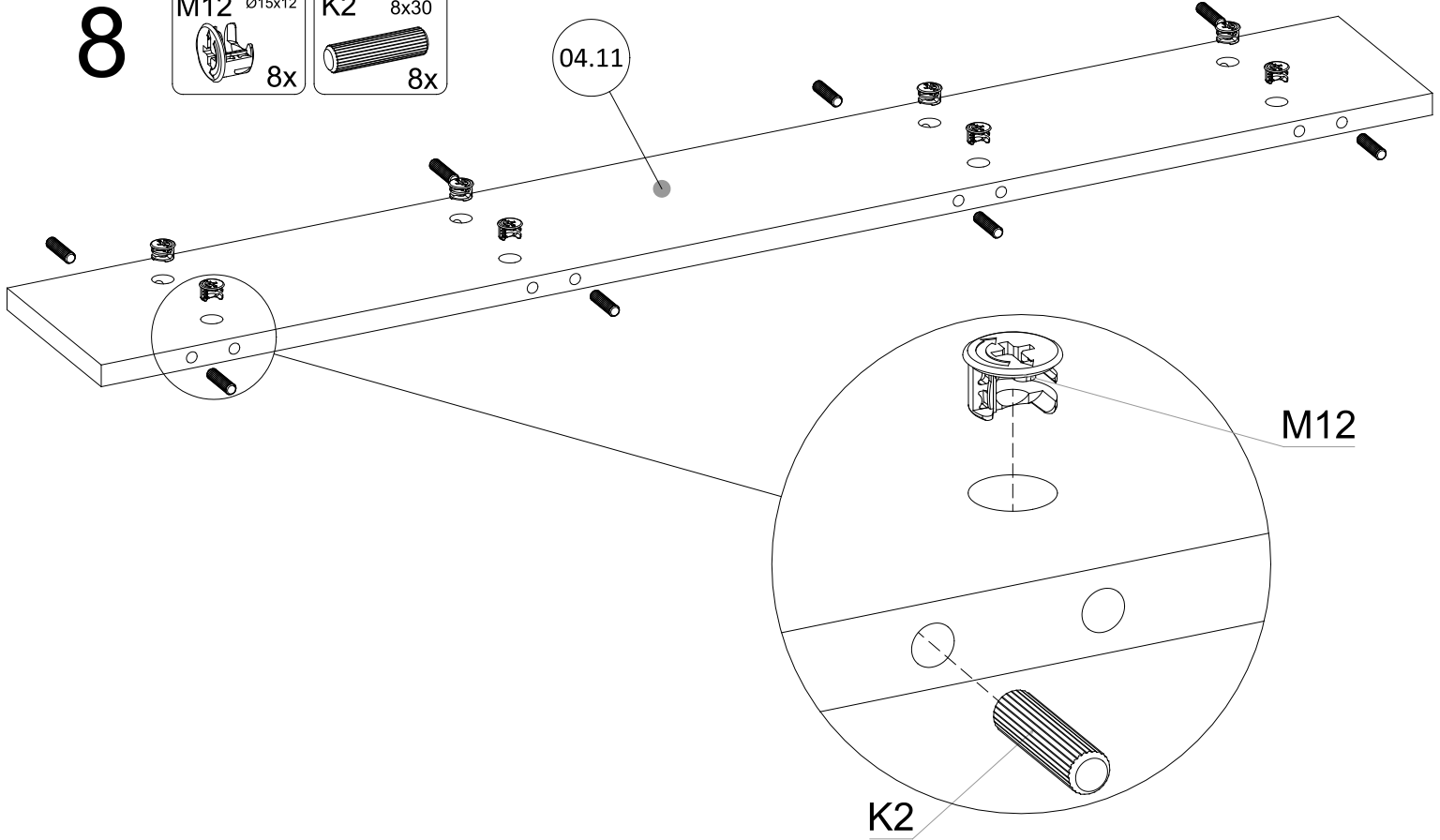
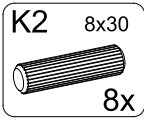
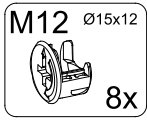
# 7



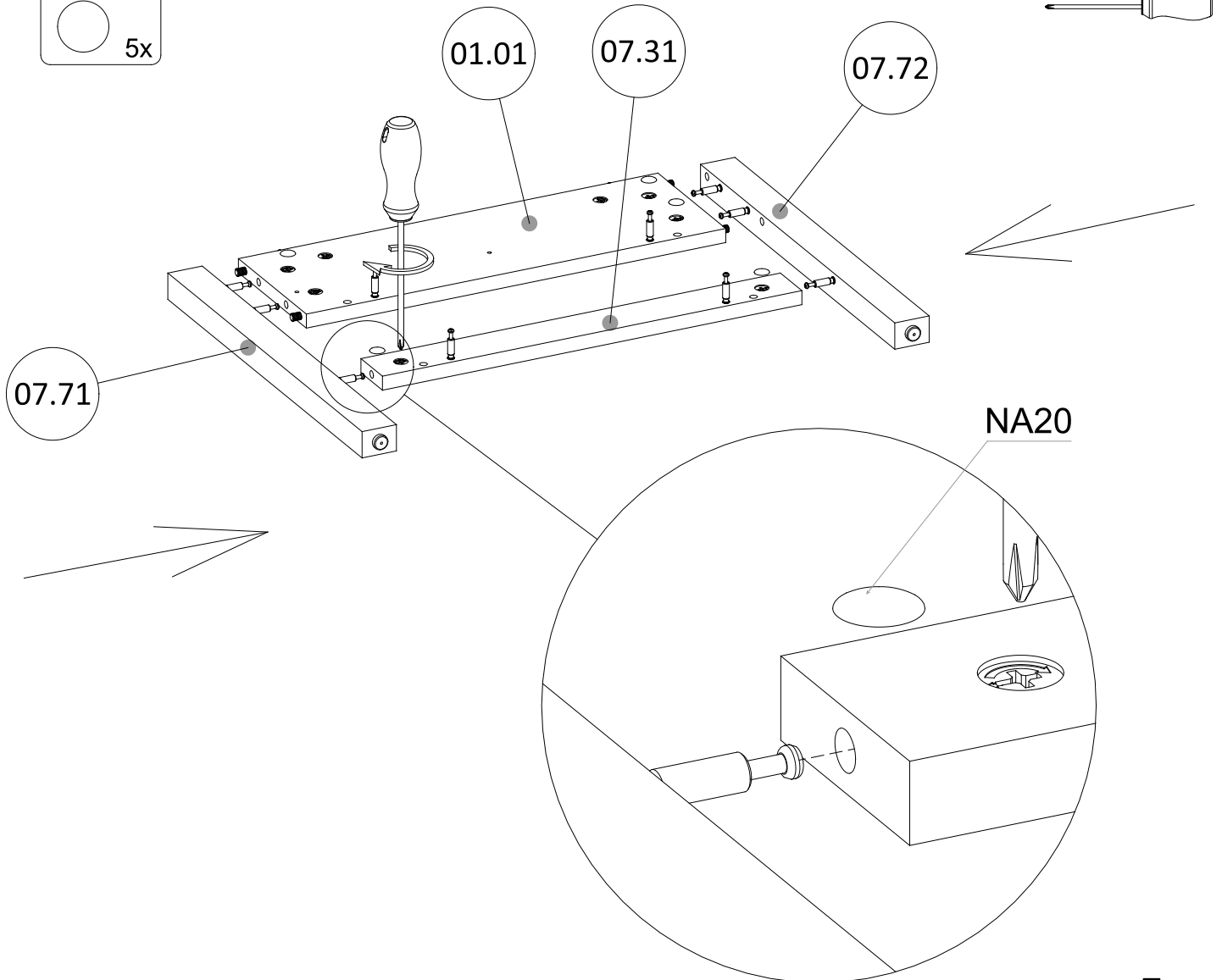
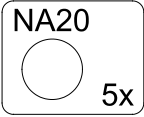
04.13



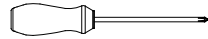
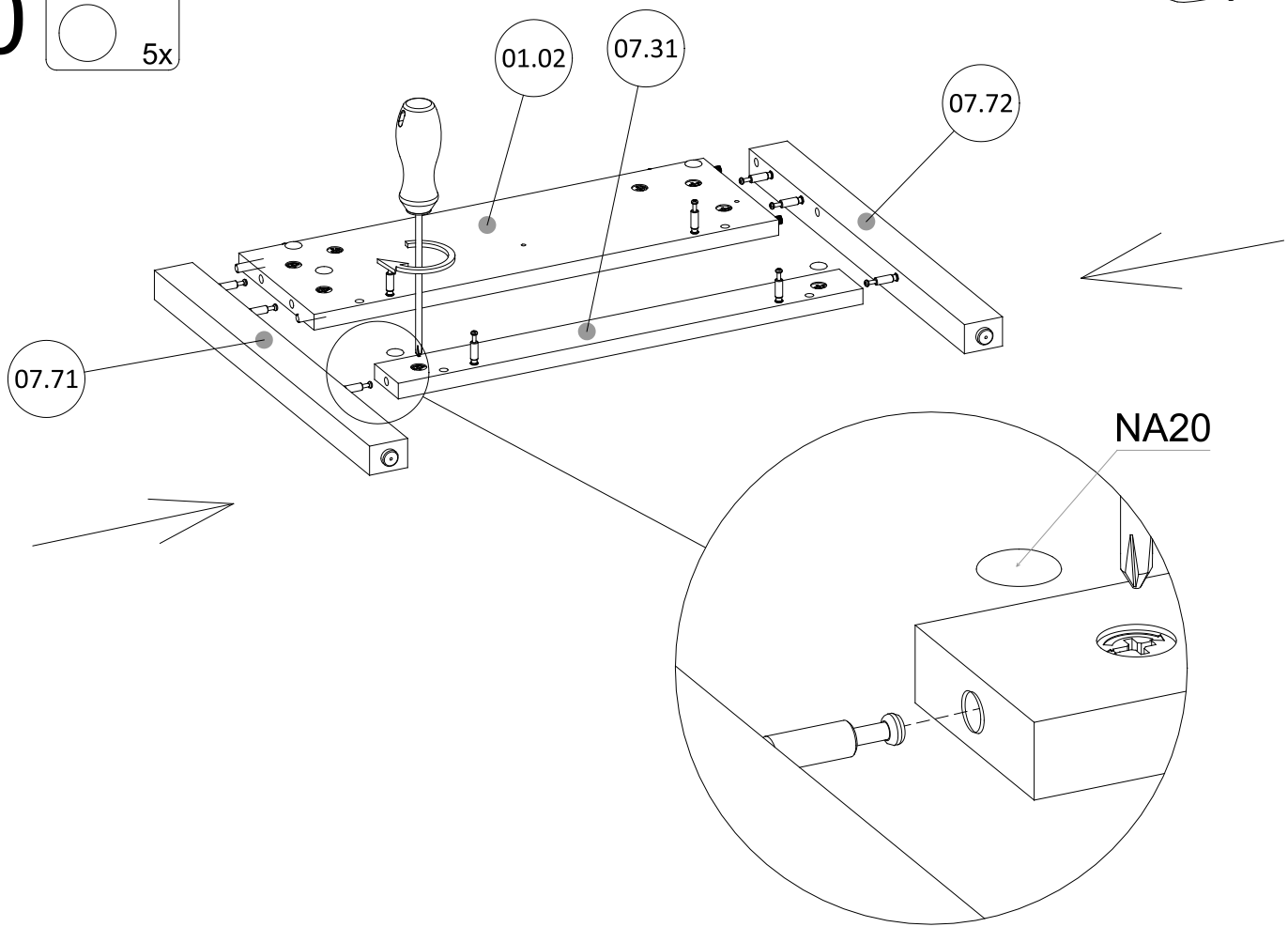
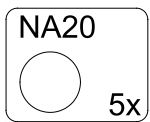
8



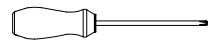
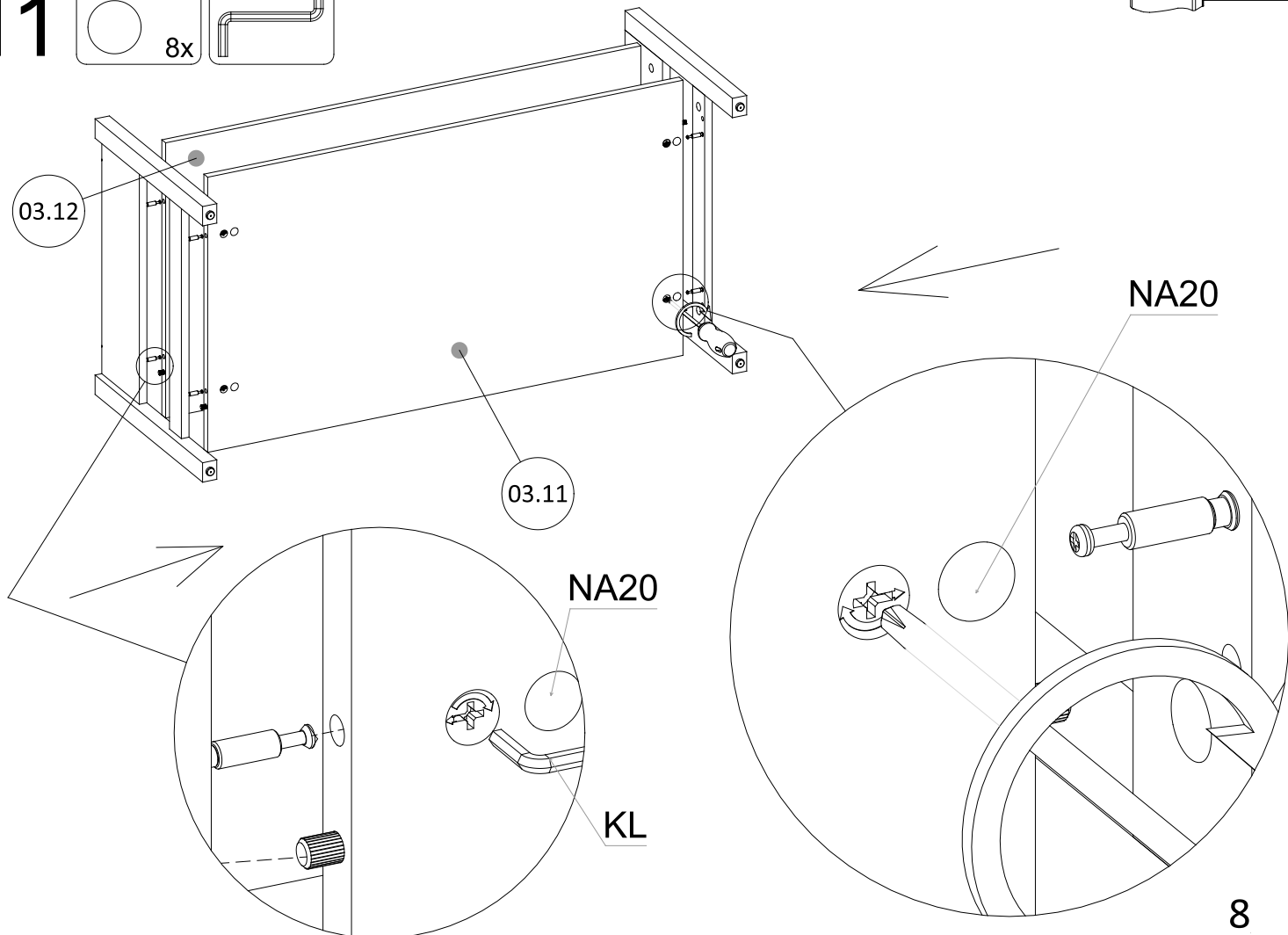
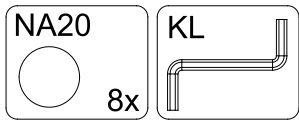
9



# 10

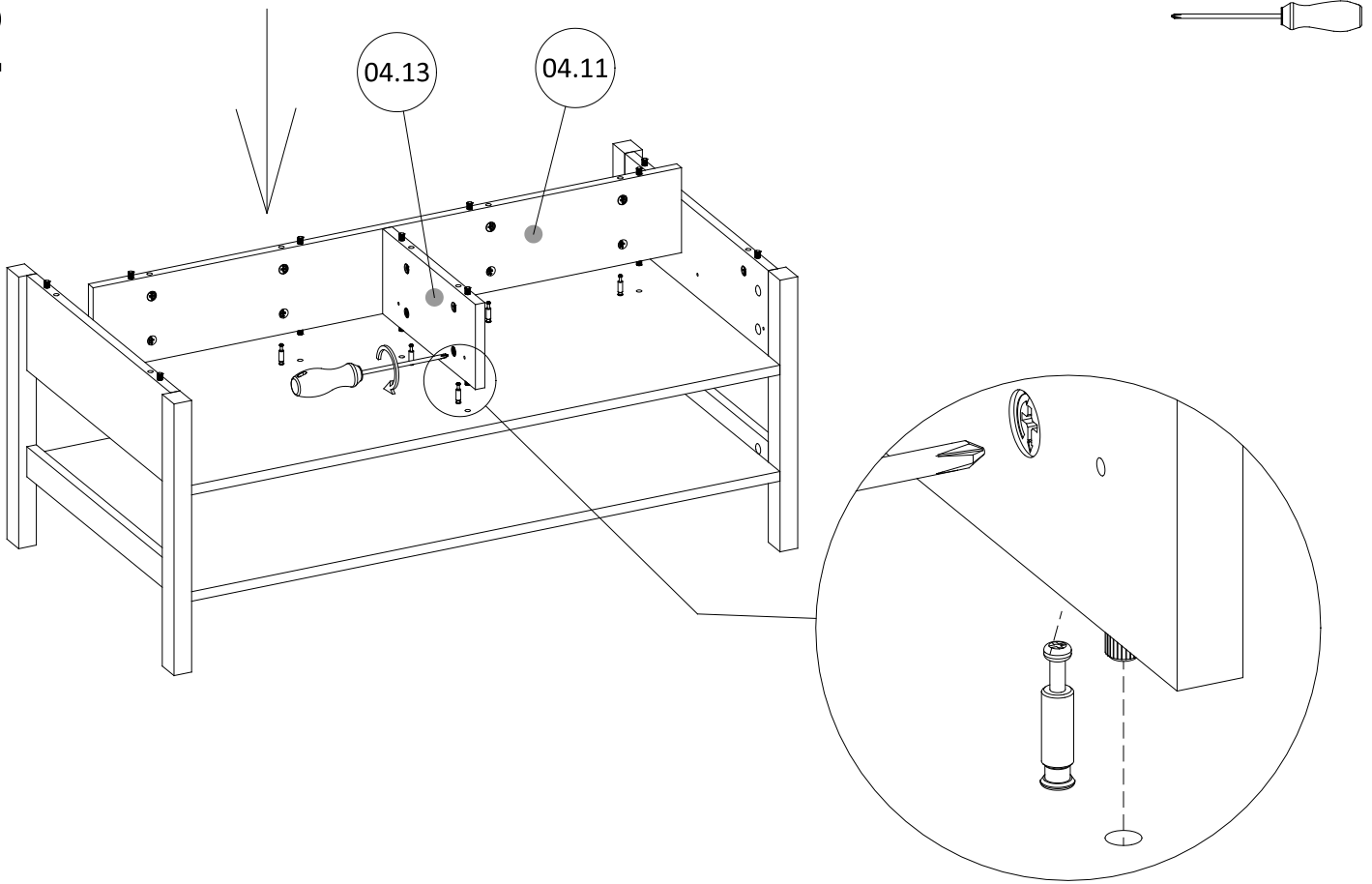


# 11

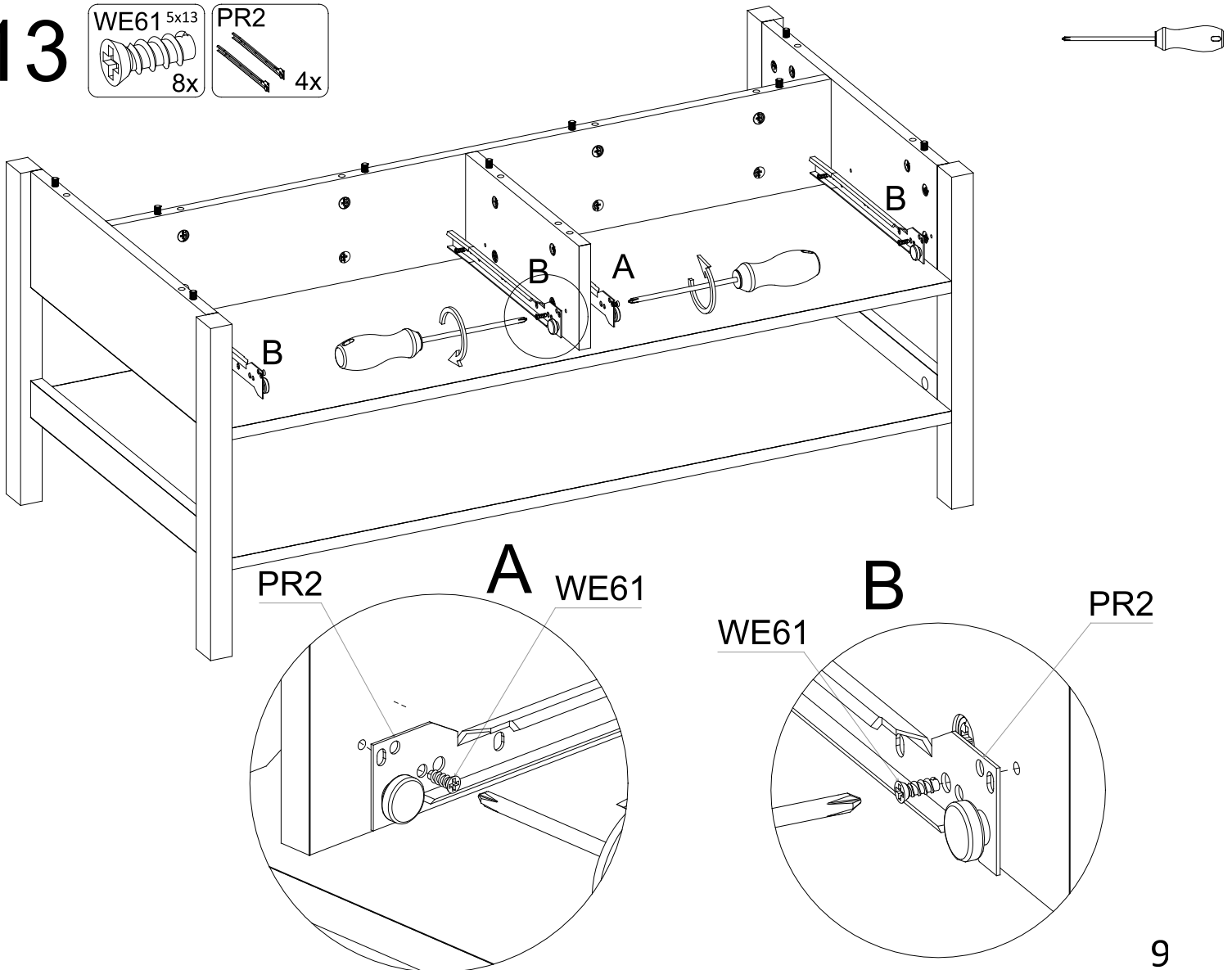
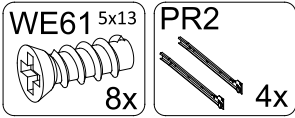




# 12

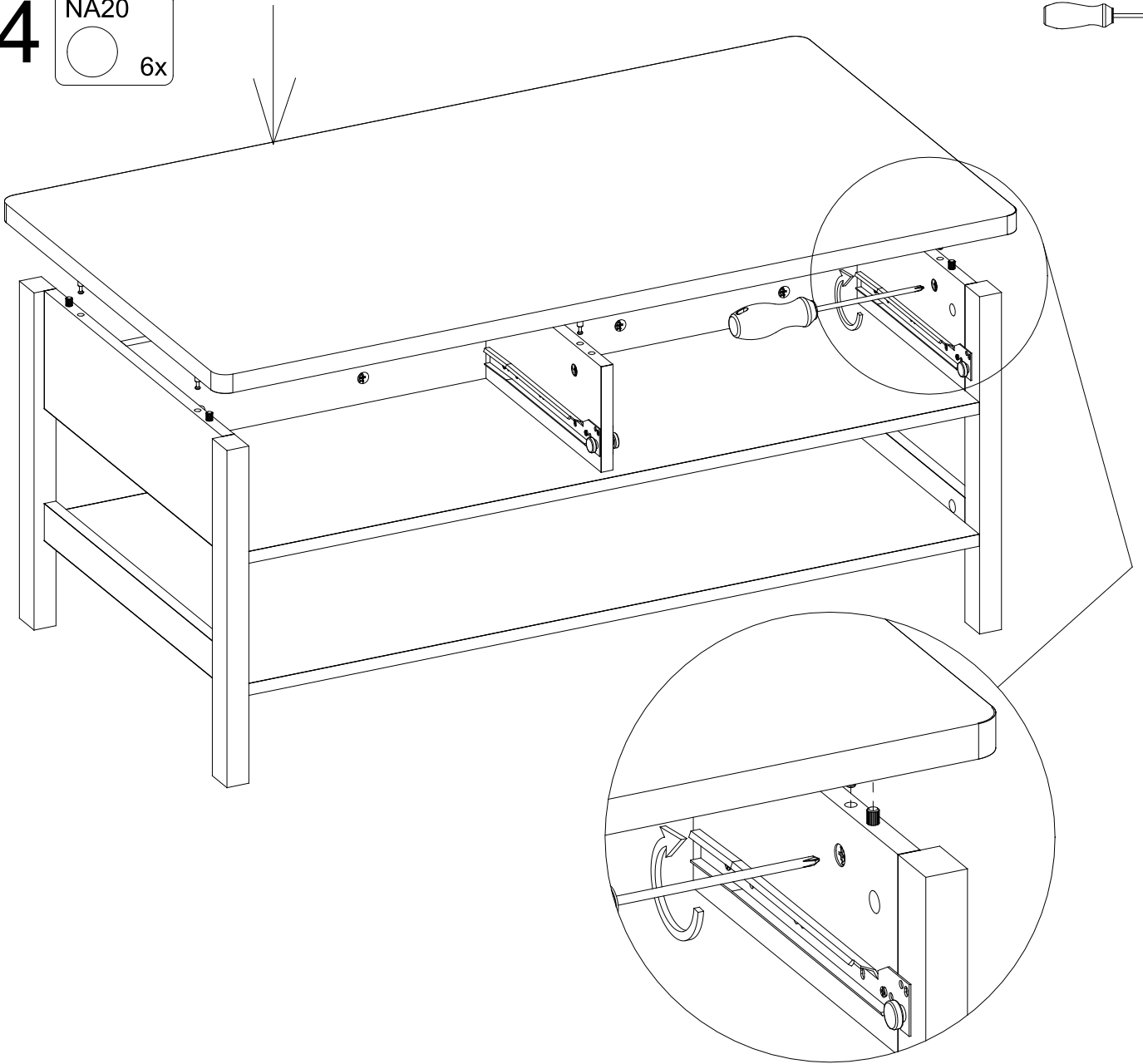
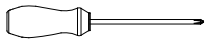


# 13



# 14

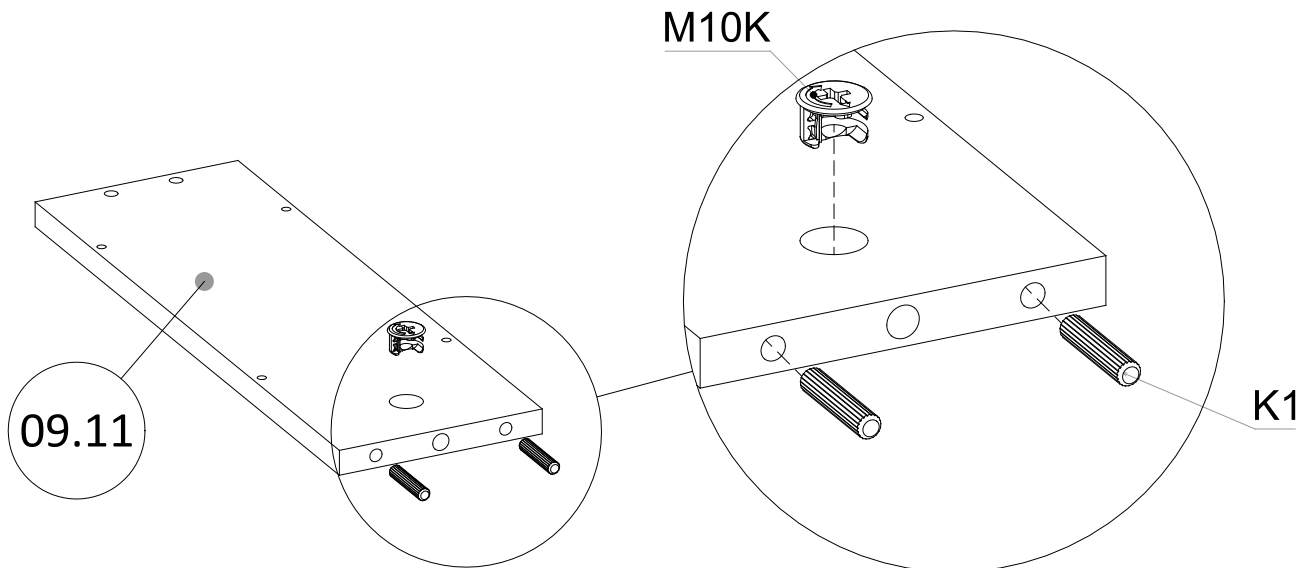
NA20  
6x



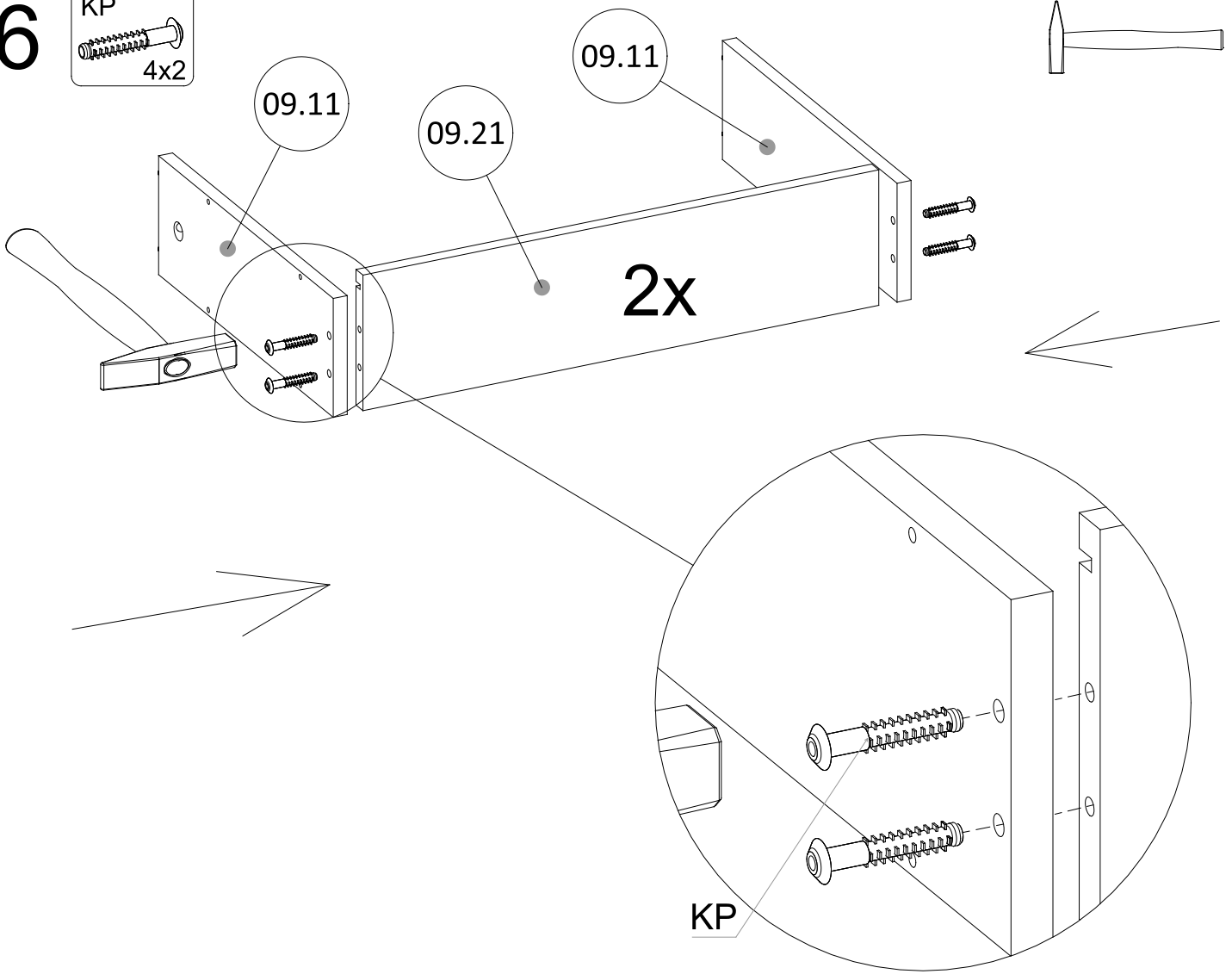
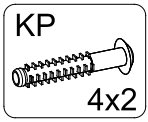
# 15

M10K $\varnothing$ 15x10  
1x4

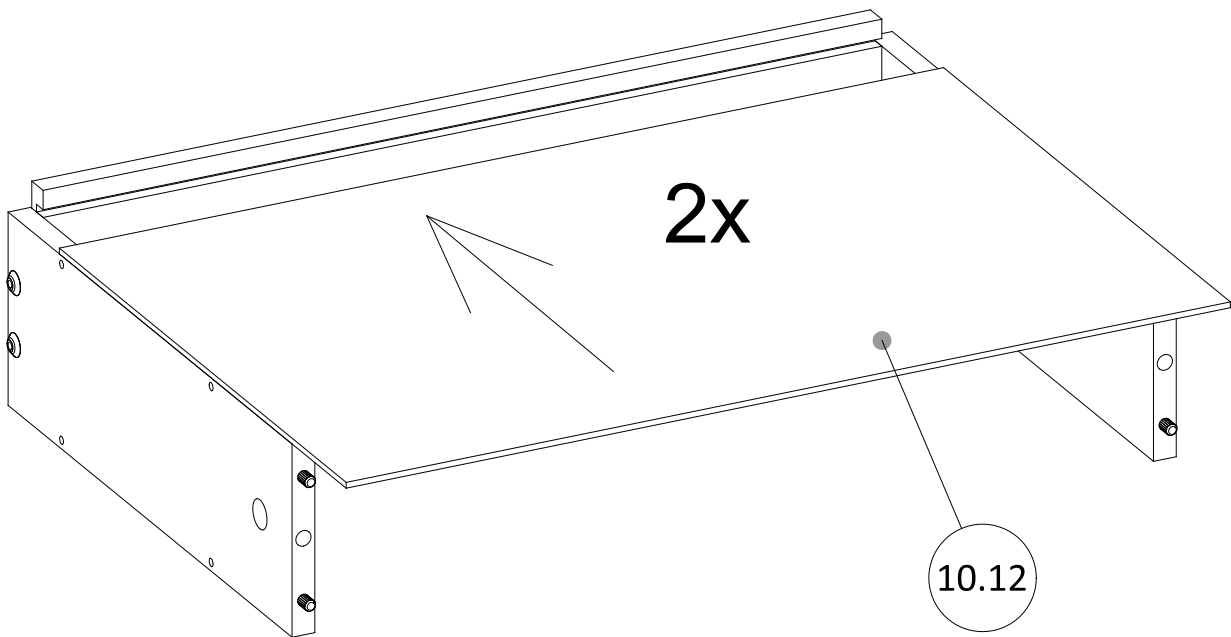
K1 6x30  
2x4



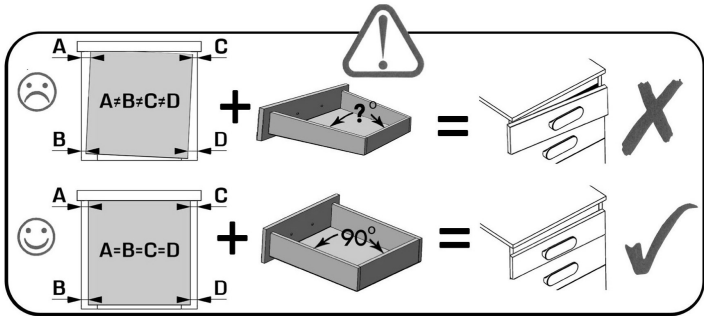
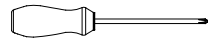
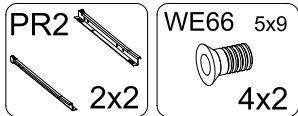
# 16



# 17



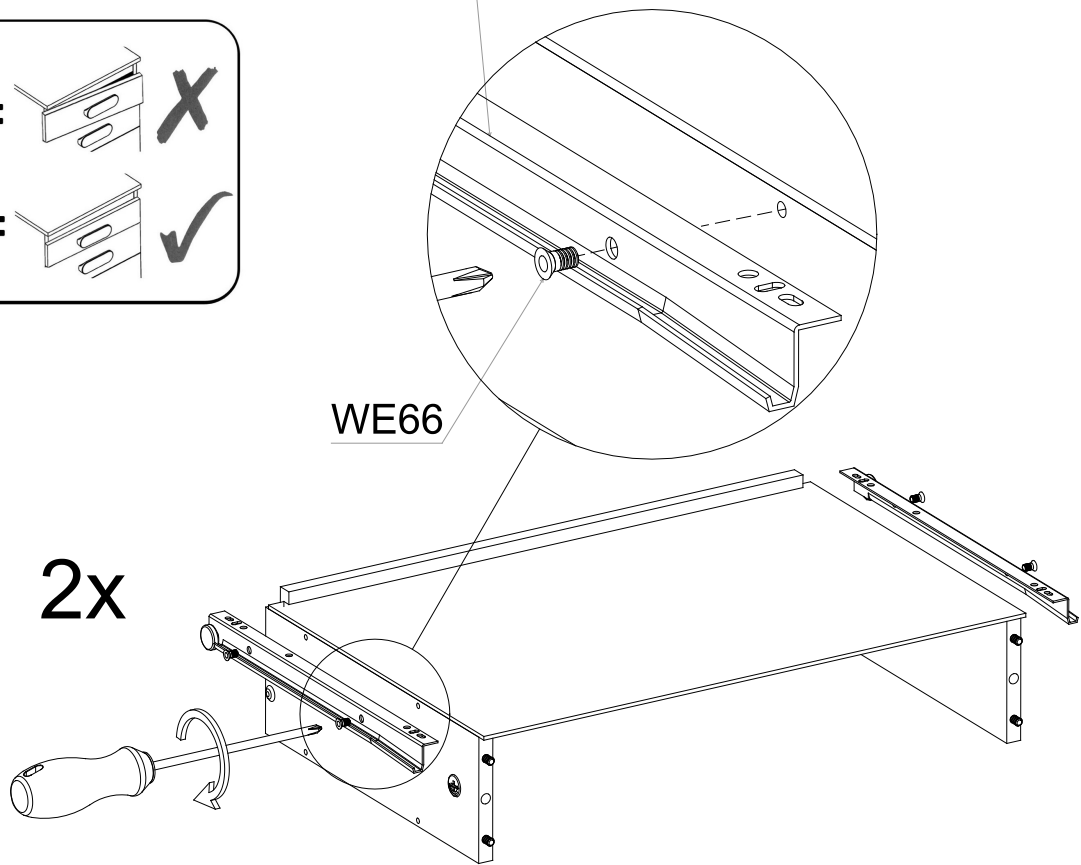
# 18



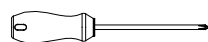
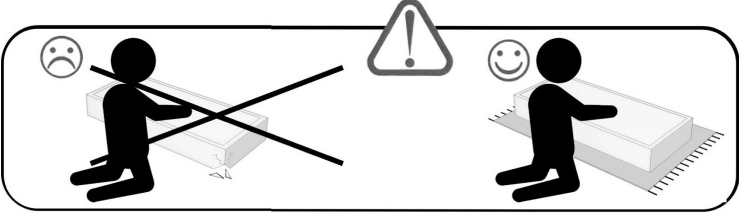
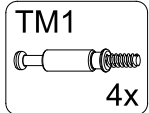
PR2

WE66

2x

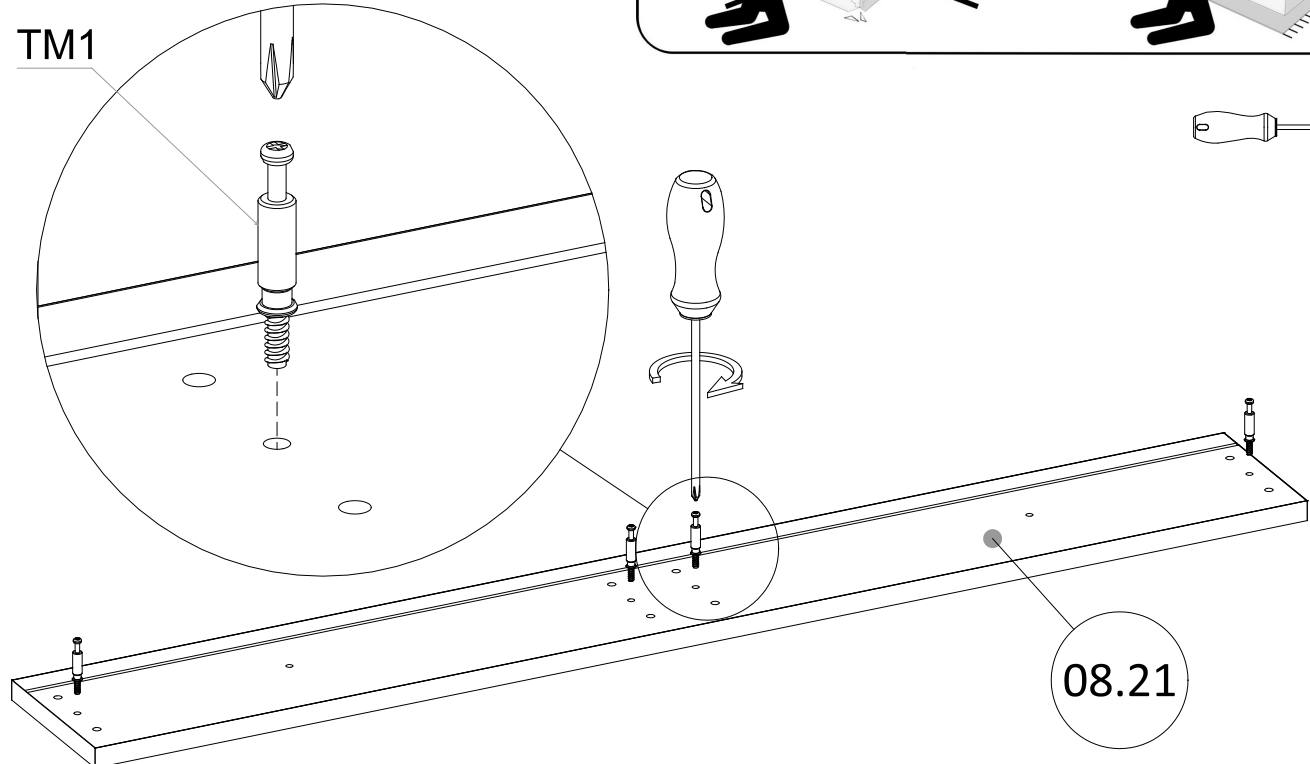


# 19

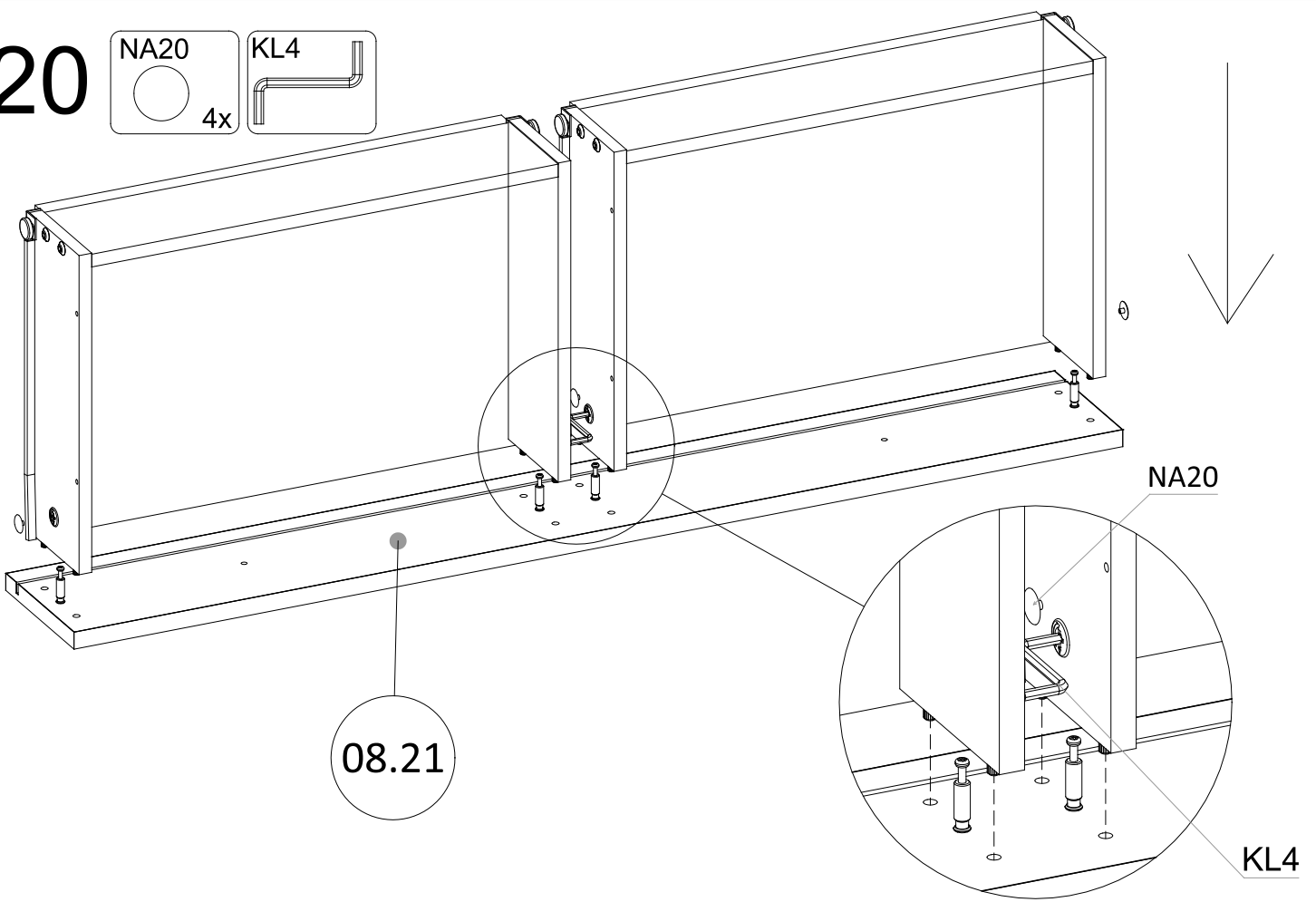
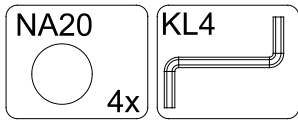


TM1

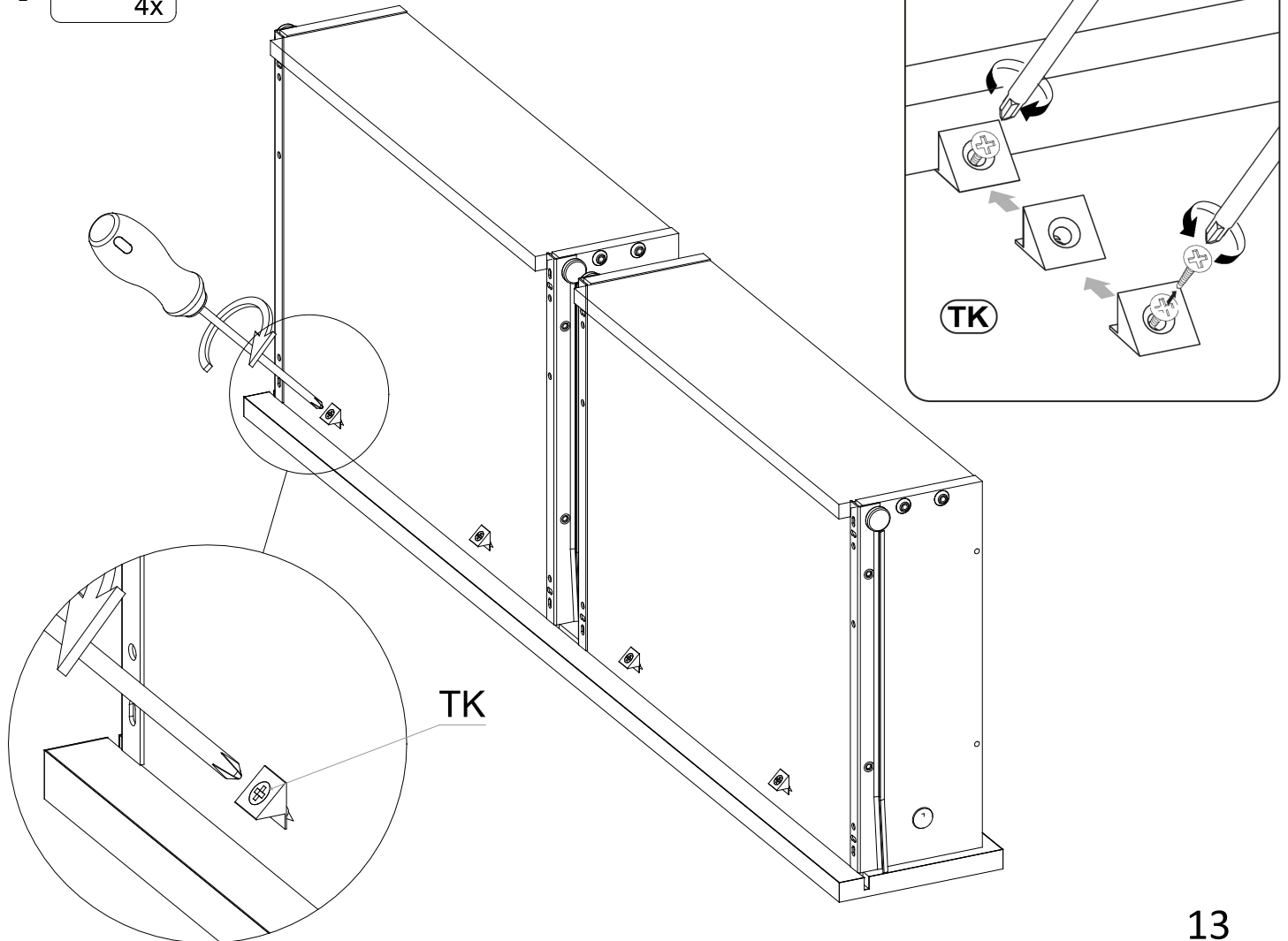
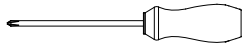
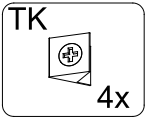
08.21



# 20



# 21



# 22

