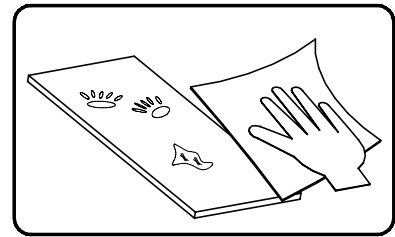
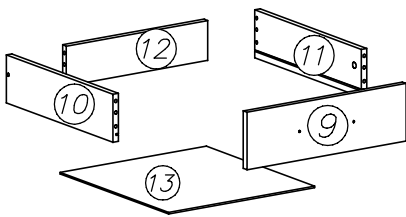
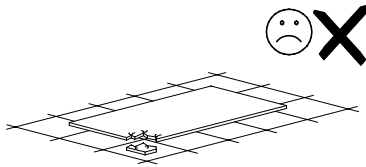
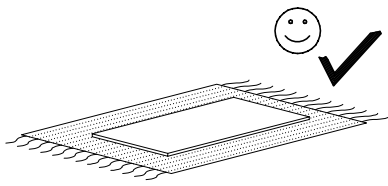



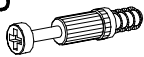


No.	L[mm]	W[mm]	T[mm]	Stc.
1	575	1250	16	1
2	571	476	16	3
3	804	575	16	1
4	804	575	16	1
5	804	575	16	1
6	575	726	16	1
7	675	495	2,5	1
8	100	726	16	1
9	144	470	16	1
10	120	450	16	1
11	120	450	16	1
12	100	418	16	1
13	458	436	2,5	1
14	380	470	16	1
15	70	476	16	2

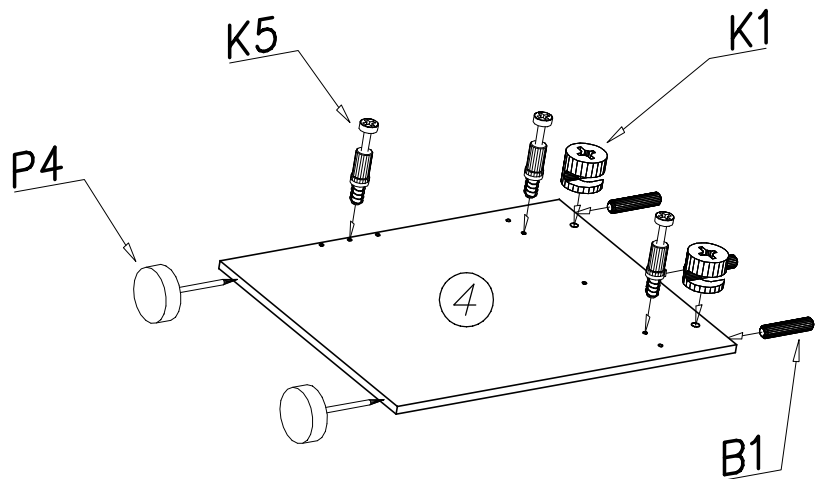
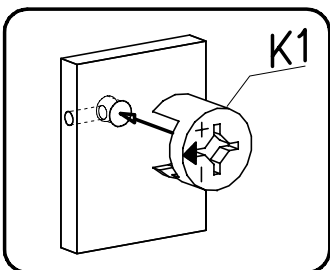
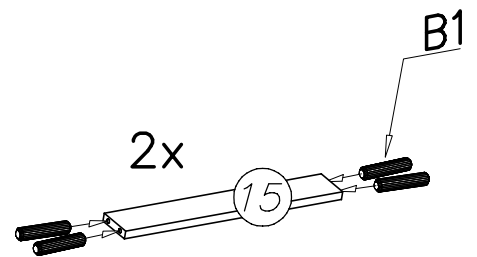
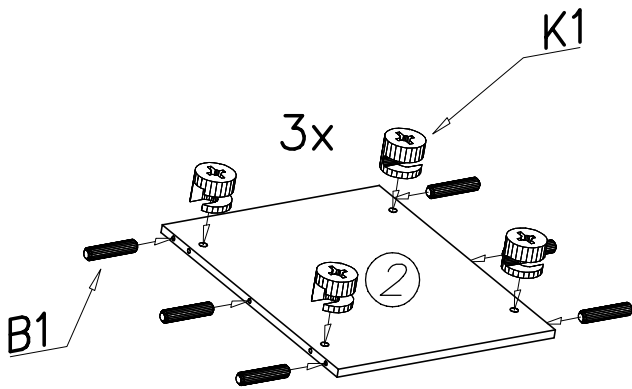
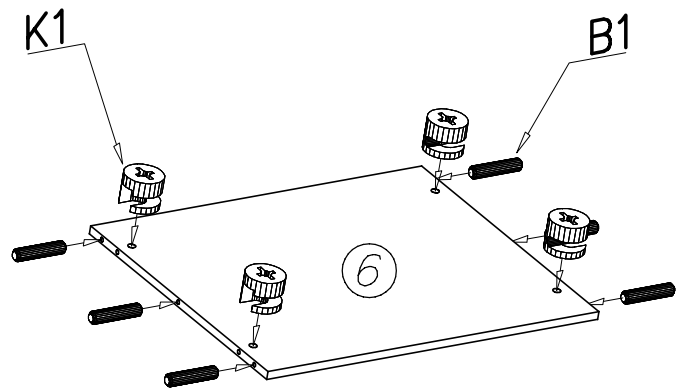
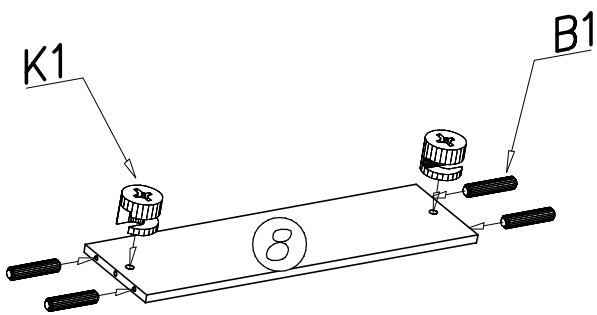
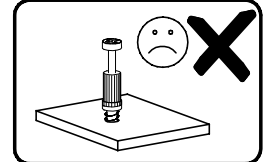
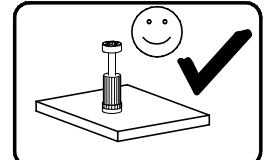
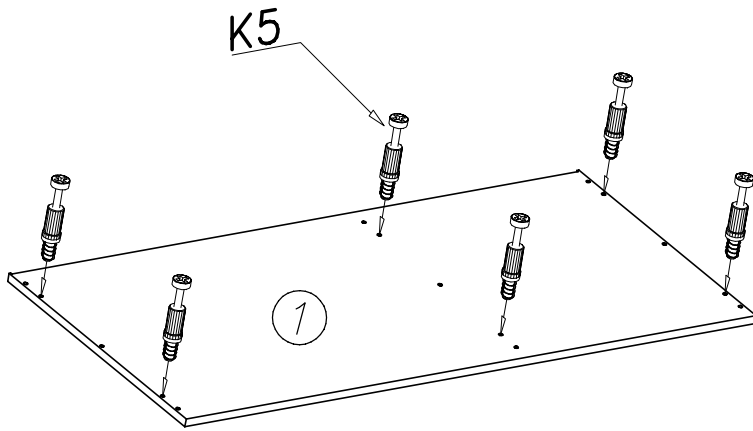


H7 x...(1)	K1 ø15x12 x...(26)	K5 x...(26)	G36 3,5x13 x...(4)	G8 4x30 x...(4)	C4 x...(2)
A1 ø7x50 x...(2)	G29 6x11 x...(4)	F1 x...(1)	E17 160mm x...(2)	D4 x...(2)	
B1 ø8x35 x...(53)	P4 x...(6)	W2 x...(1)	G4 4x16 x...(4)	W4 x...(22)	I12 x...(26)

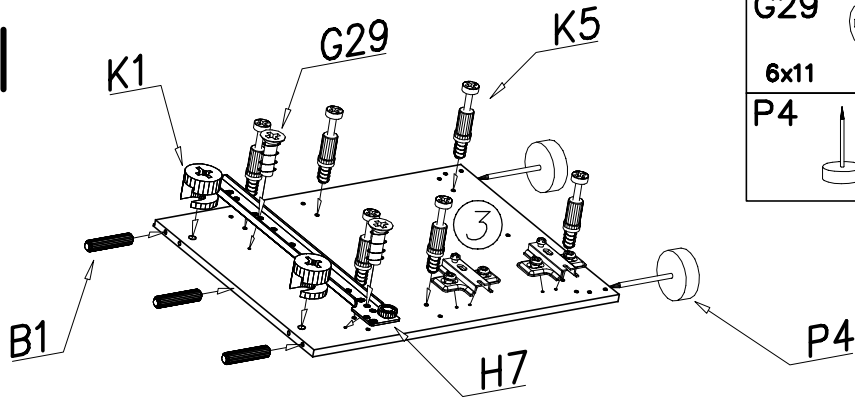
I



B1		K5	
	∅8x35 x...(39)		x...(9)
P4		K1	
	x...(2)		∅15x12 x...(20)



II

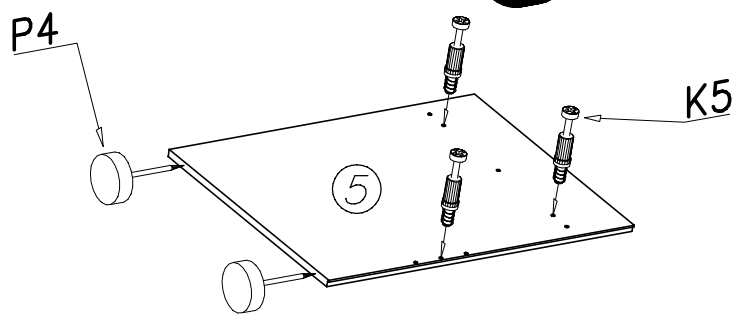
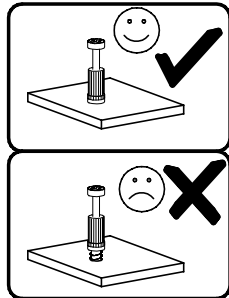
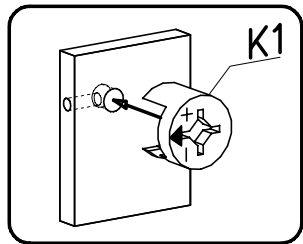
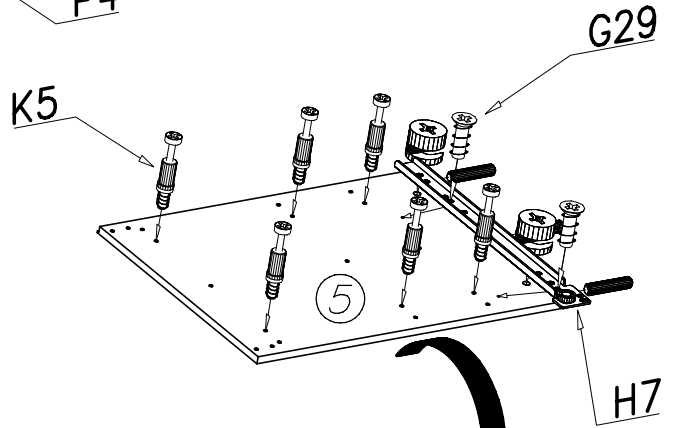
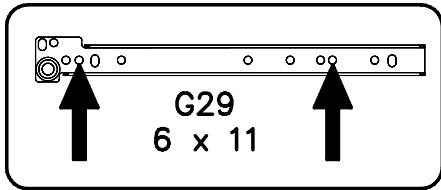


G29		6x11	x...(4)
P4			x...(4)

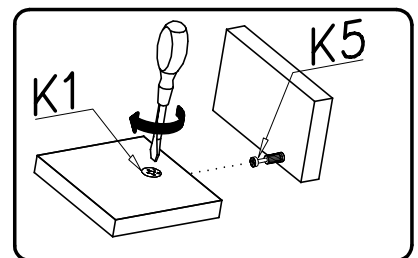
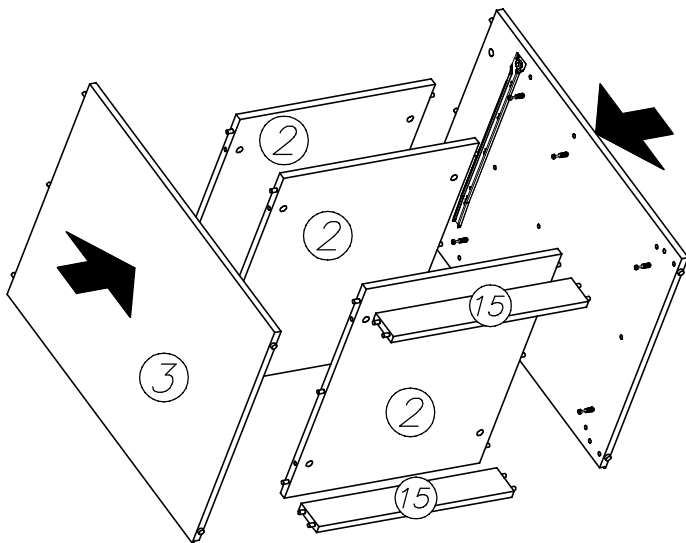
K1		ø15x12	x...(4)
H7			x...(1)

K5			x...(15)
D4			x...(2)

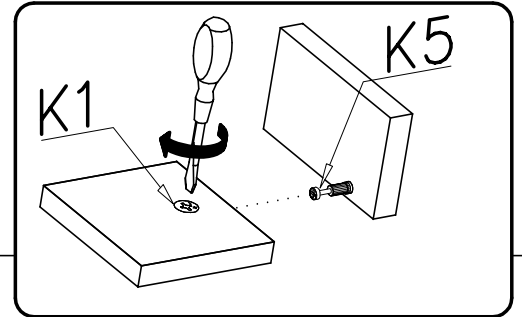
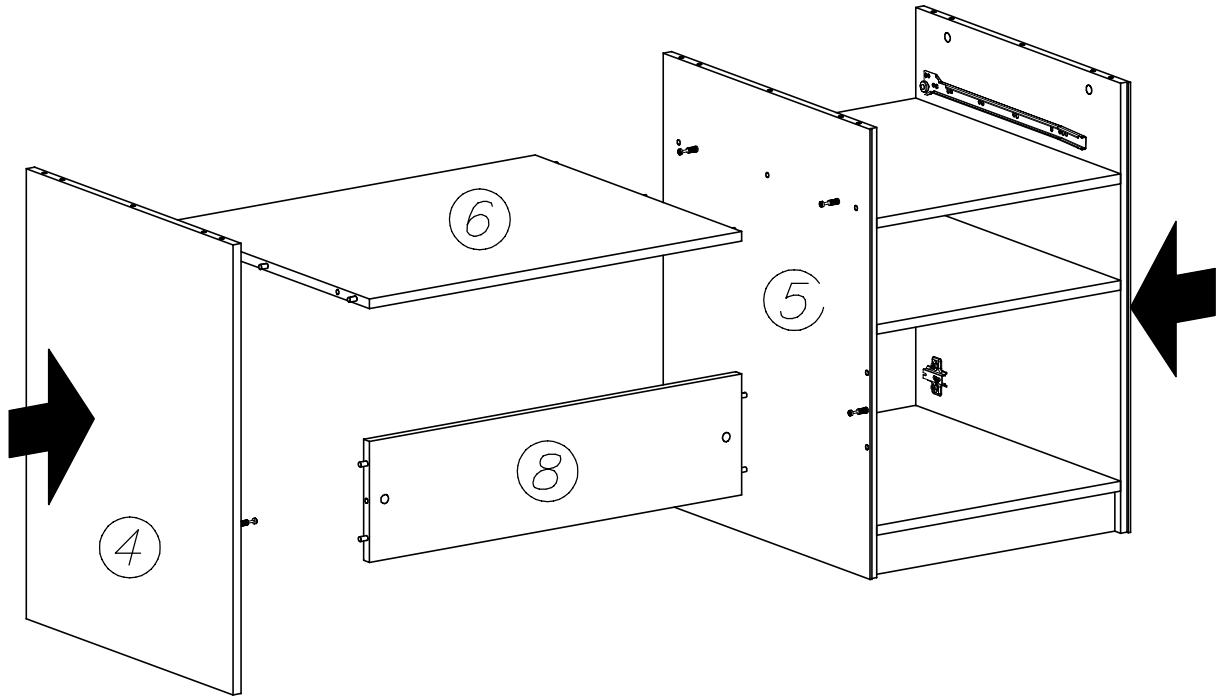
B1		ø8x35	x...(6)
----	--	-------	---------



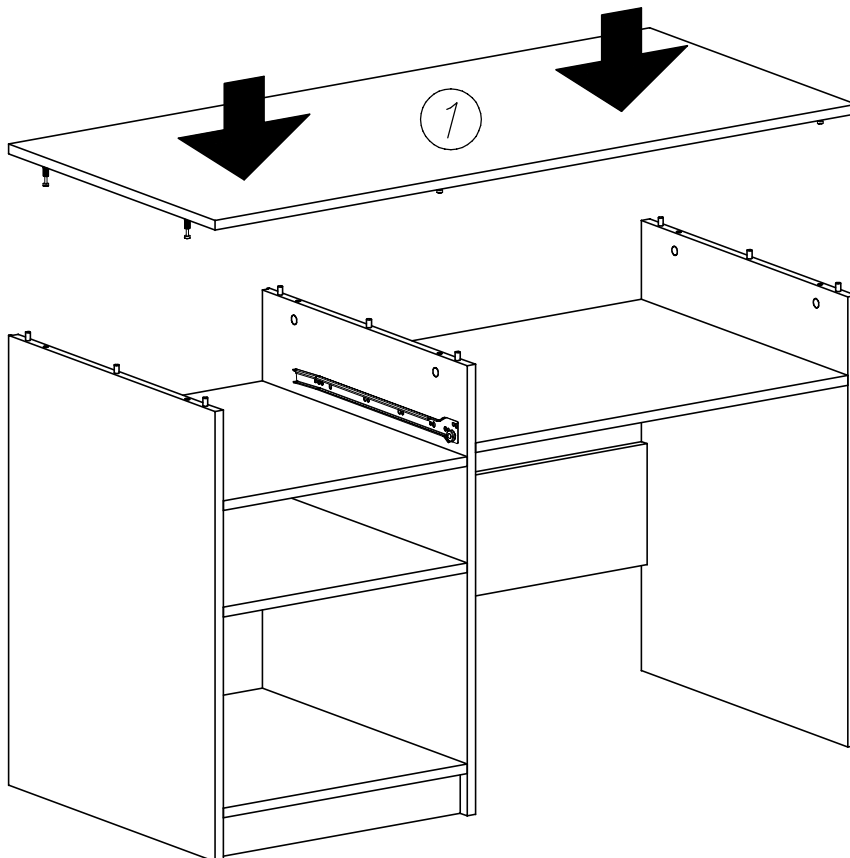
III



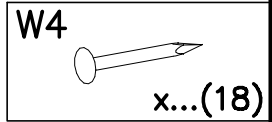
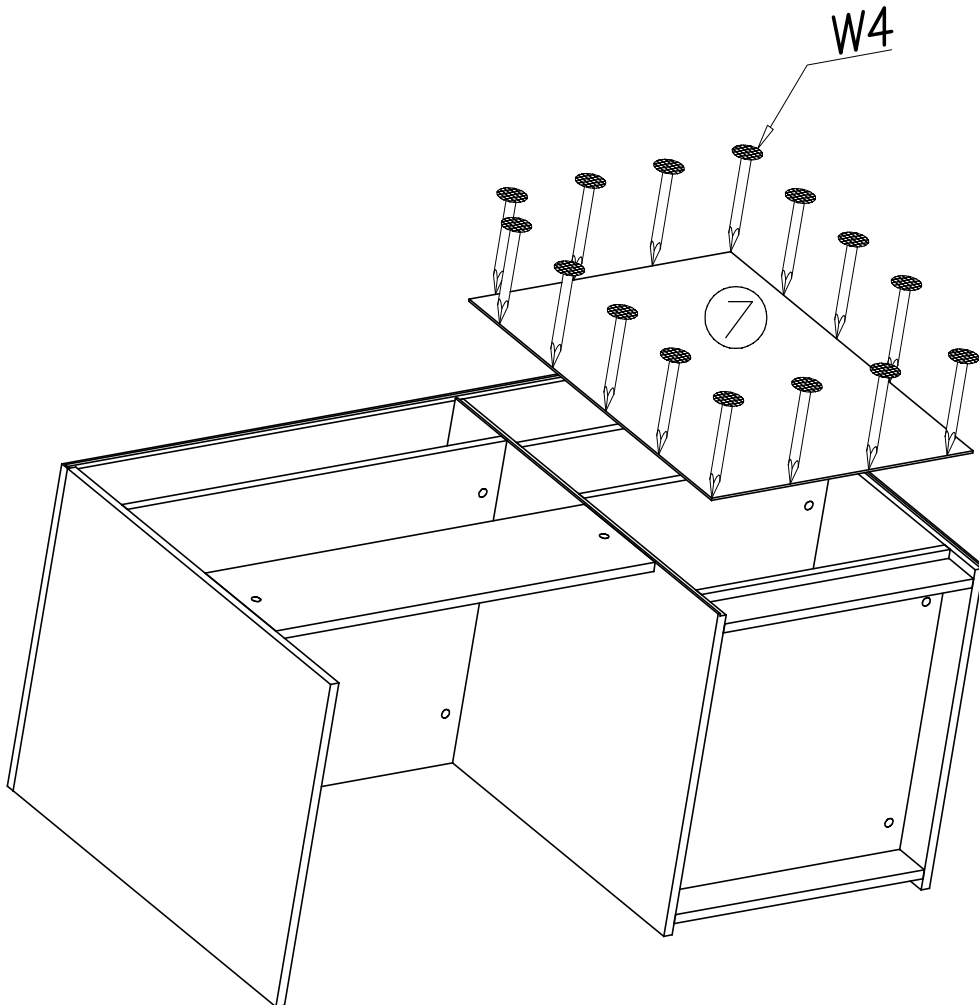
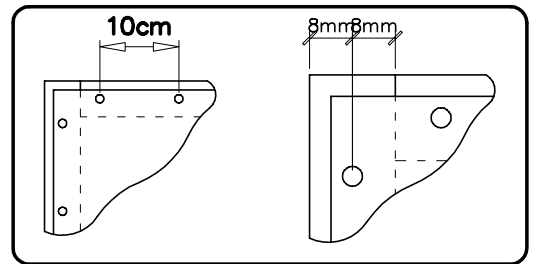
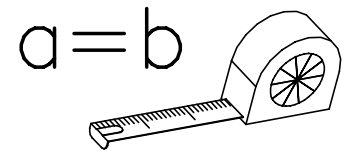
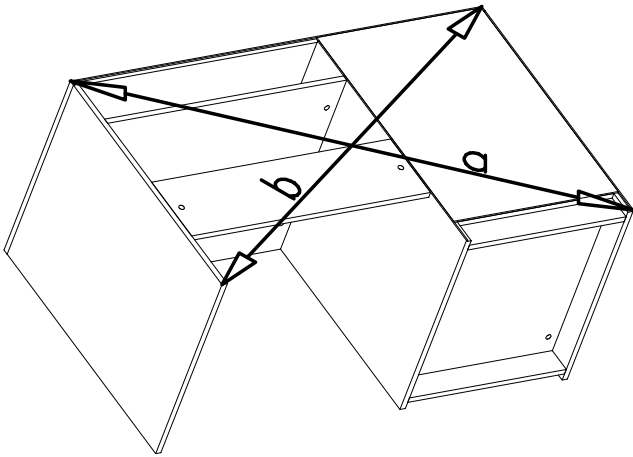
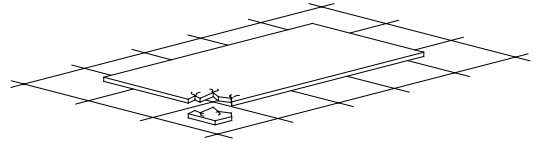
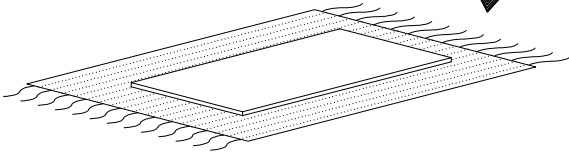
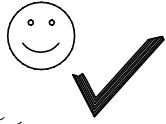
IV



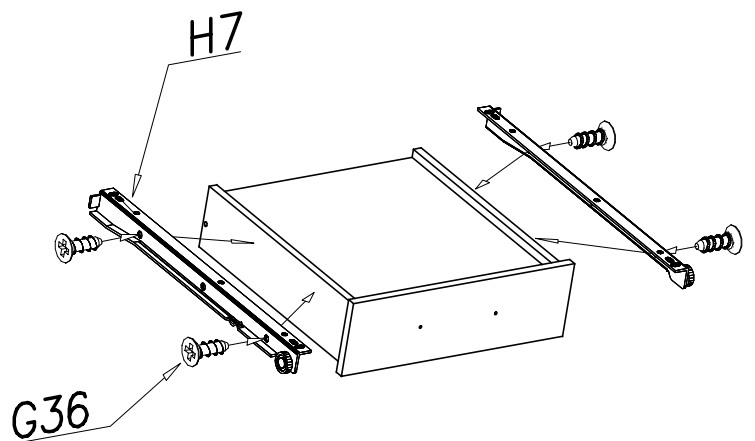
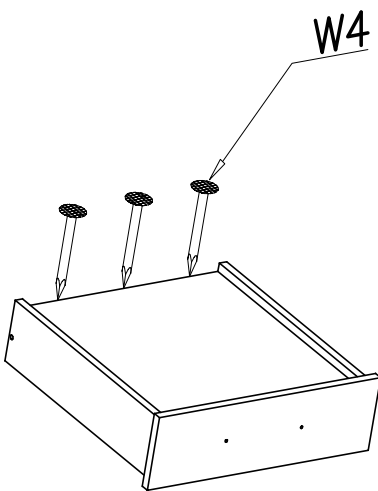
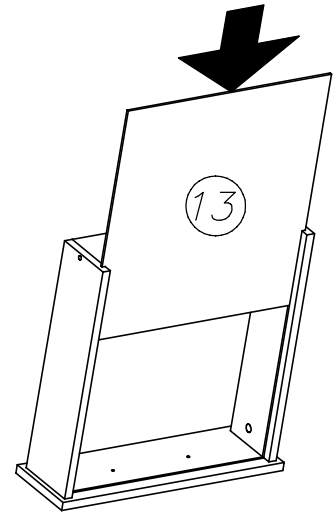
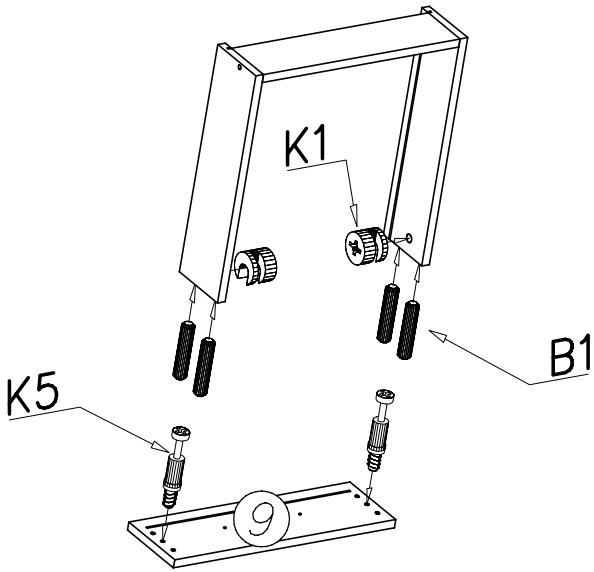
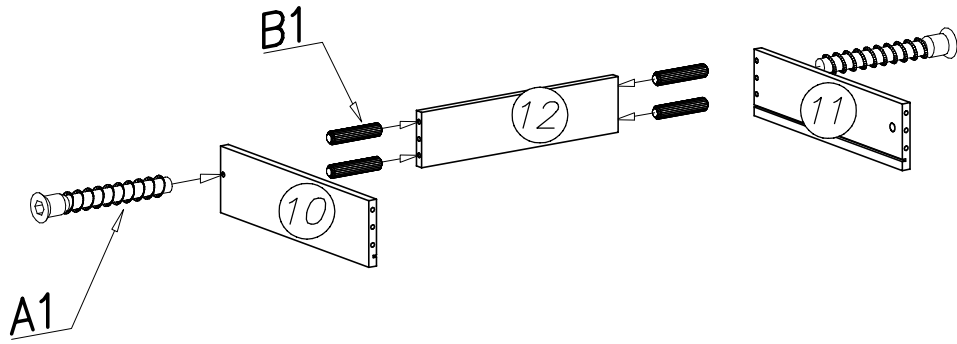
V







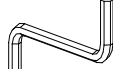


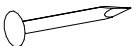


VI

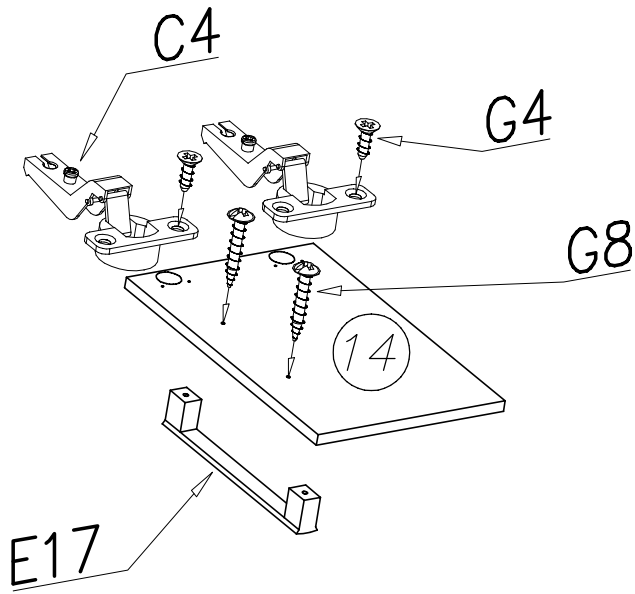


VII

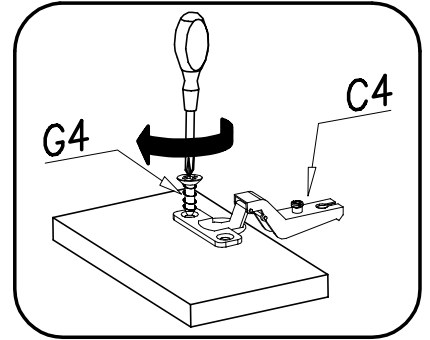


B1  ø8x35 x...(8)	G36  3,5x13 x...(4)	H7  x...(1)	K5  x...(2)	W1  GLUE, LEIM, LEPIDLO, LIM x...(1)
A1  ø7x50 x...(2)	W2  x...(1)	 x...(1)	K1  ø15x12 x...(2)	W4  x...(4)

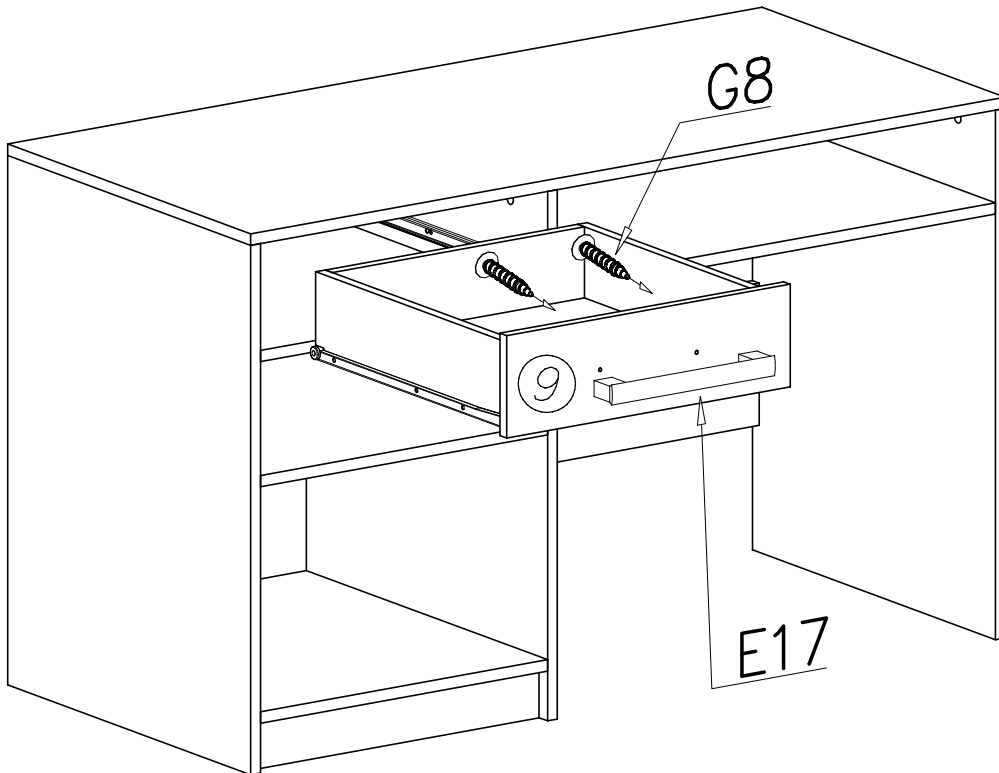
VIII



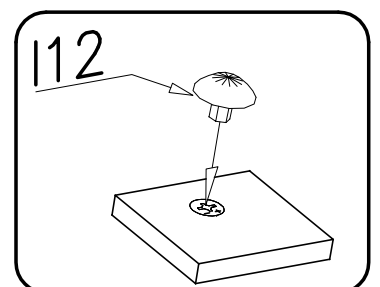
E17 160mm x...(1)		C4 x...(2)	
G8 4x30 x...(2)		G4 4x16 x...(4)	




IX



I12 x...(26)		E17 160mm x...(1)	
G8 4x30 x...(2)			



X

F1  x...(1)

