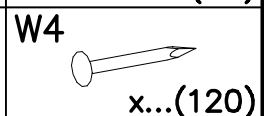
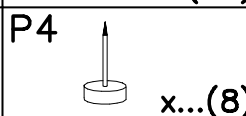
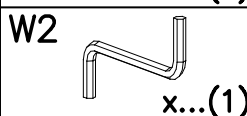
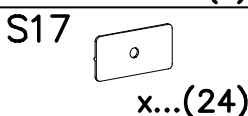
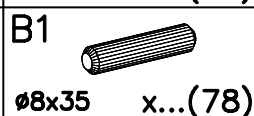
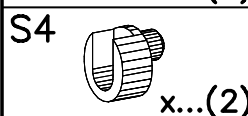
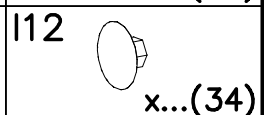
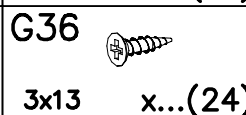
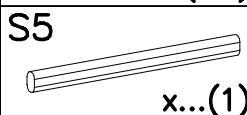
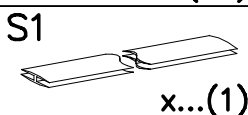
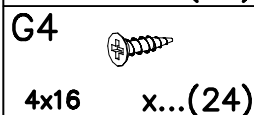
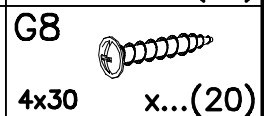
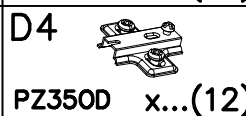
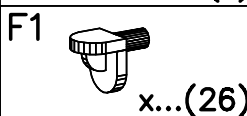
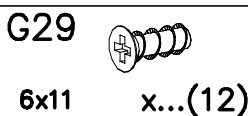
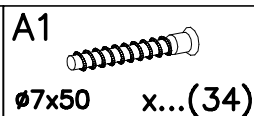
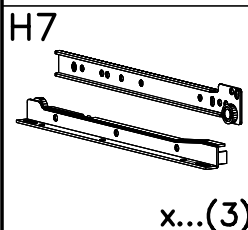
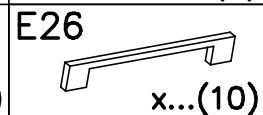
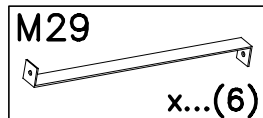
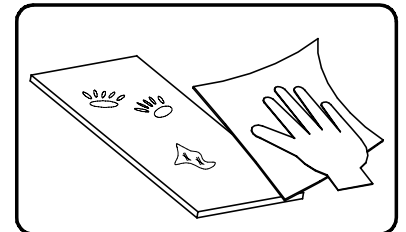
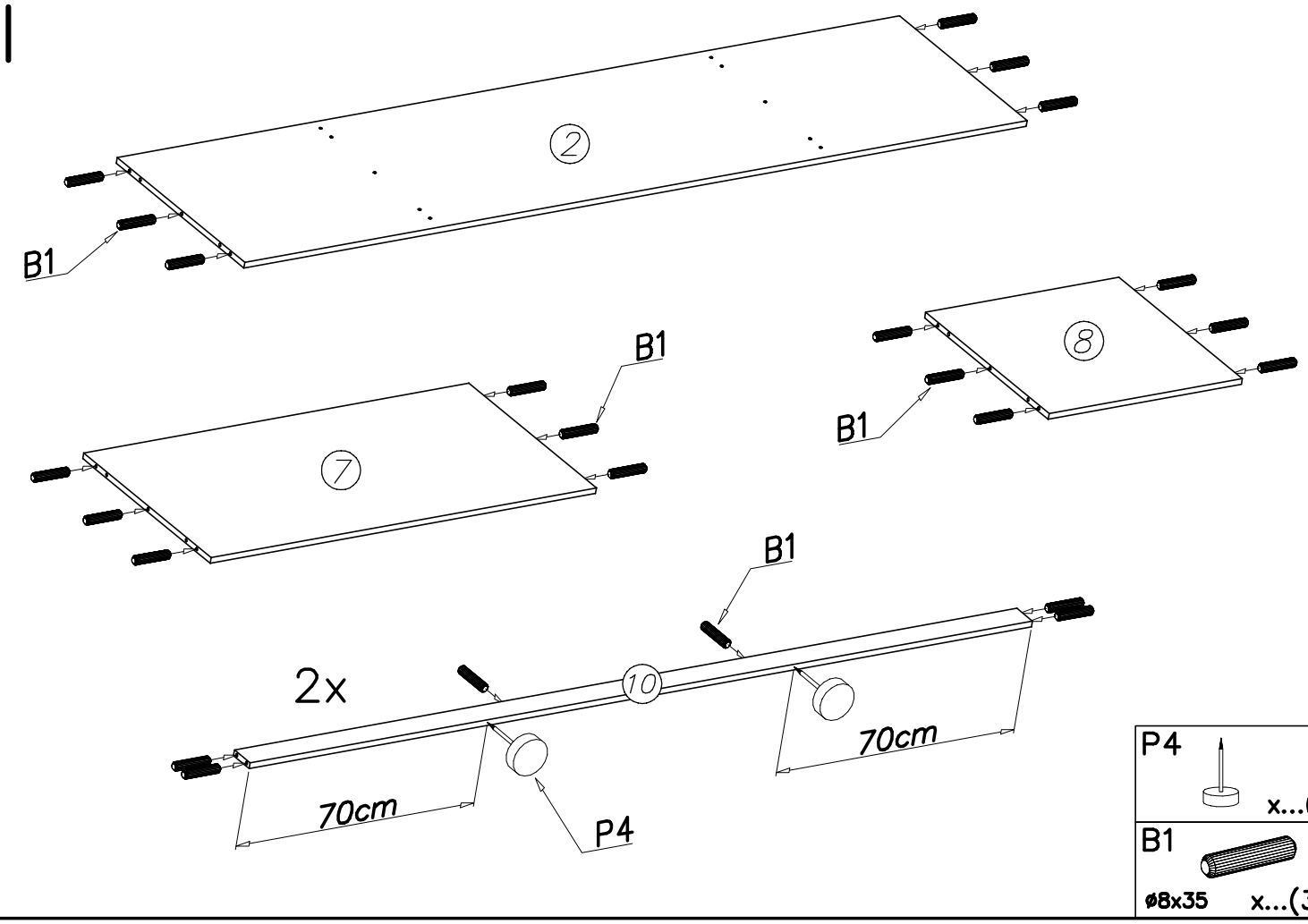
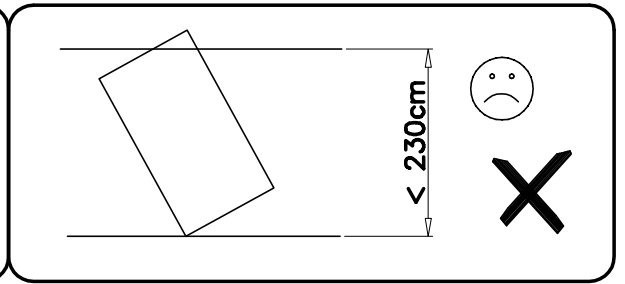
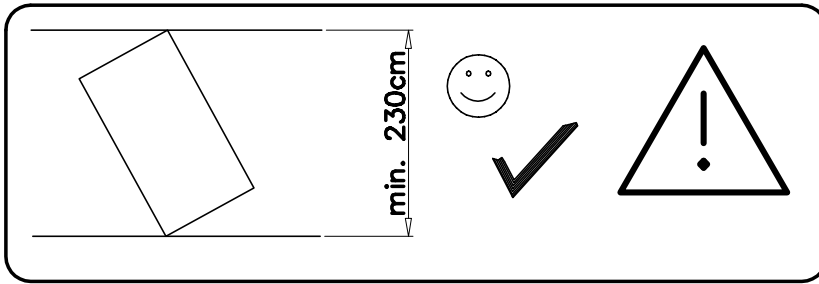
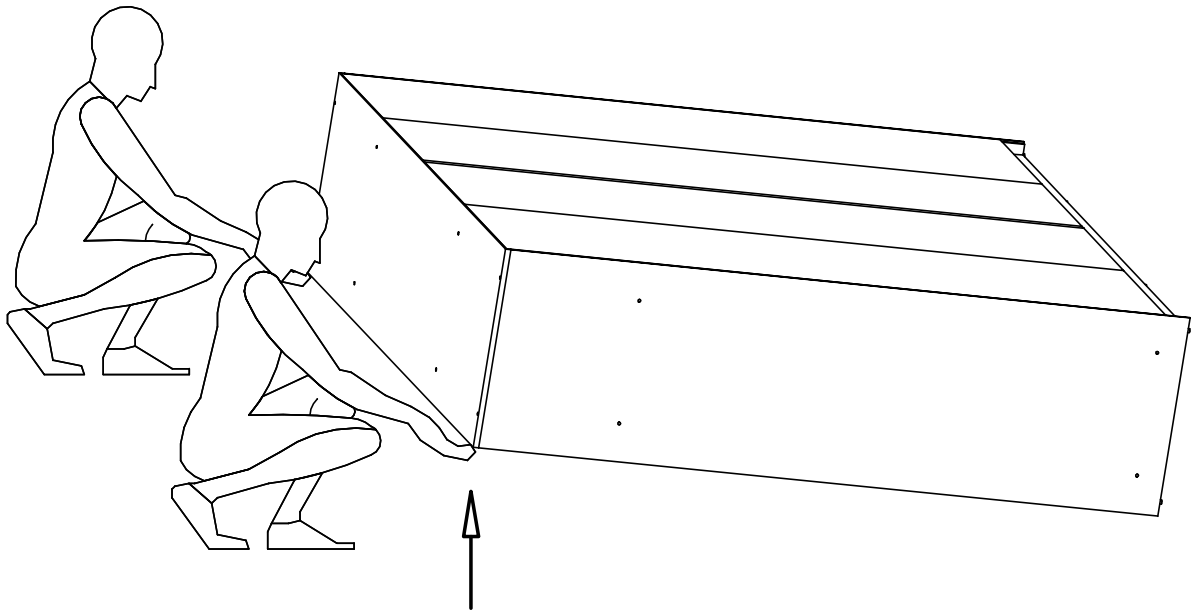


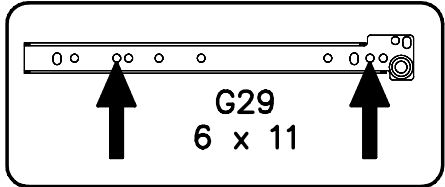
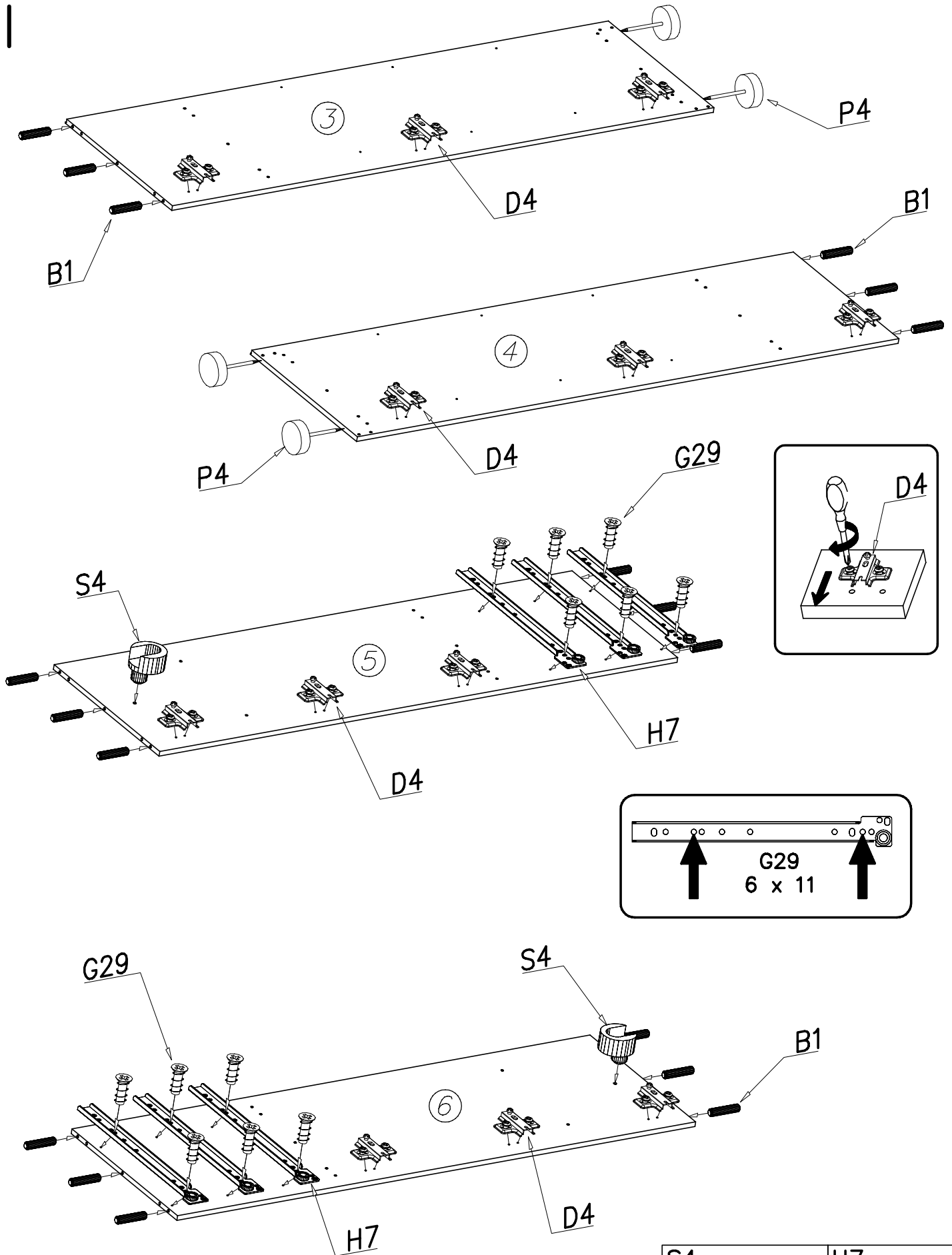
No.	L[mm]	W[mm]	T[mm]	Stc.
1	575	2402	16	1
2	571	2368	16	1
3	1980	575	16	1
4	1980	575	16	1
5	1894	571	16	1
6	1894	571	16	1
7	1166	571	16	1
8	552	585	16	2
9	552	585	16	6
10	2368	70	16	2


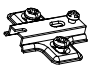

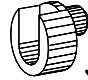
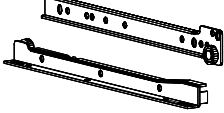
No.	L[mm]	W[mm]	T[mm]	Stc.
11	1920	589	3	2
12	1920	604	3	2
13	199	1160	16	3
14	120	450	16	3
15	120	450	16	3
16	100	1108	16	3
17	458	1126	3	3
18	1888	578	16	1
19	1260	578	16	1
20	1260	578	16	1
21	1888	578	16	1



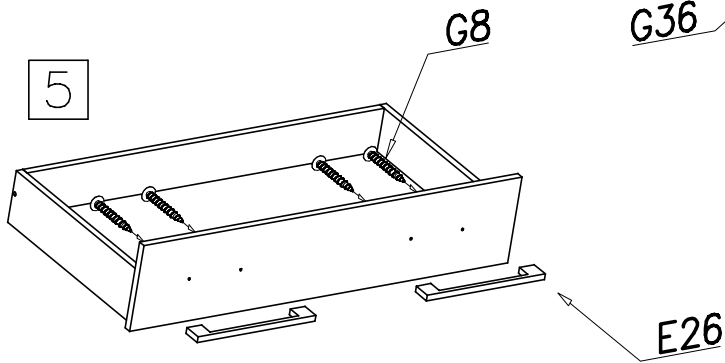
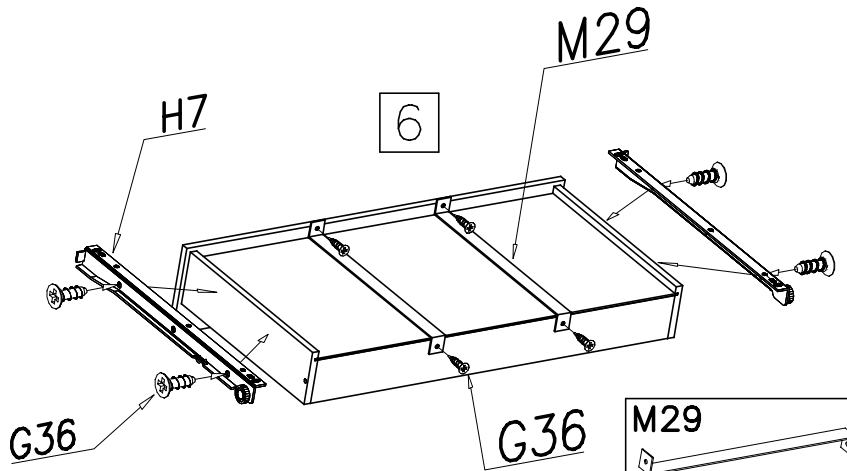
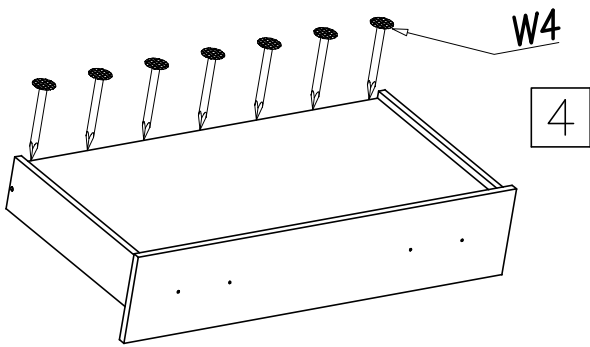
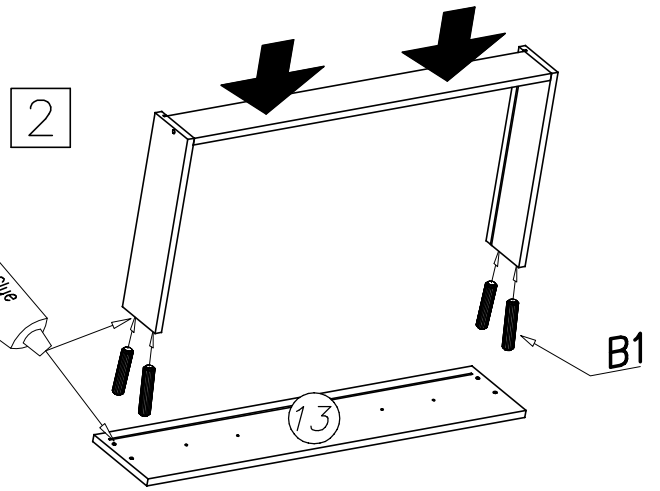
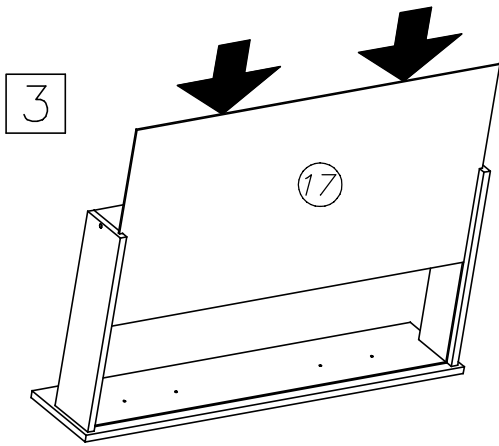
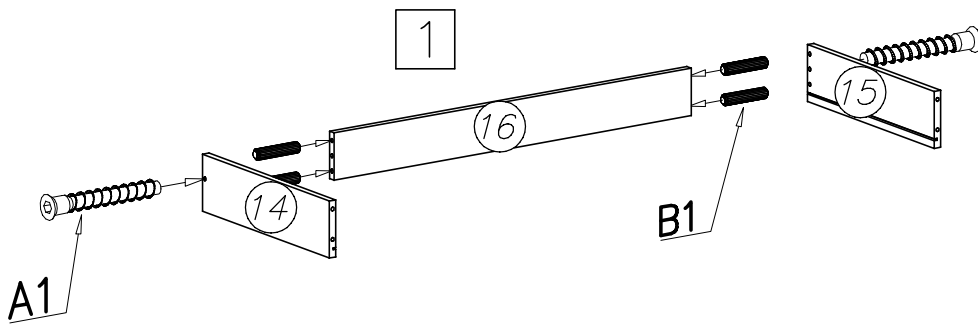


II



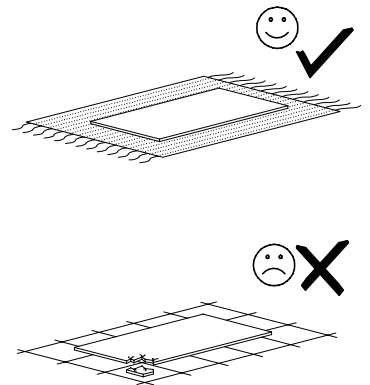
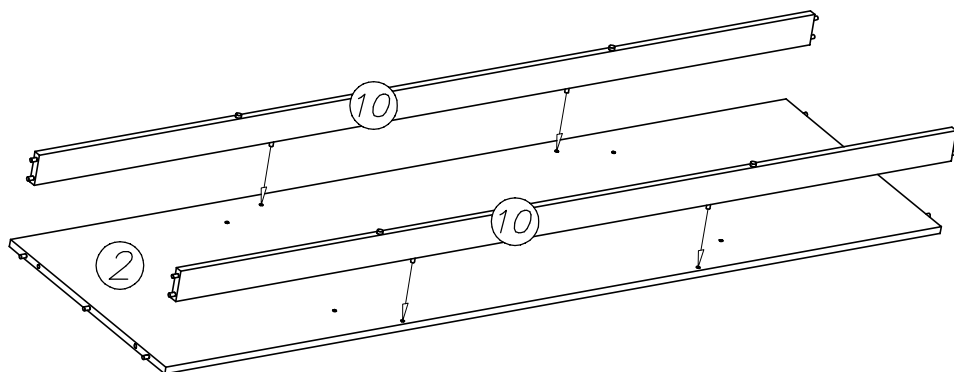
<p>P4</p>  <p>x...(4)</p>	<p>D4</p>  <p>PZ350D x...(12)</p>	<p>B1</p>  <p>ø8x35 x...(18)</p>	<p>S4</p>  <p>x...(2)</p> <p>H7</p>  <p>x...(3)</p>
--	--	---	---

III x3

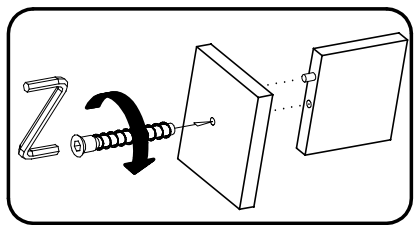
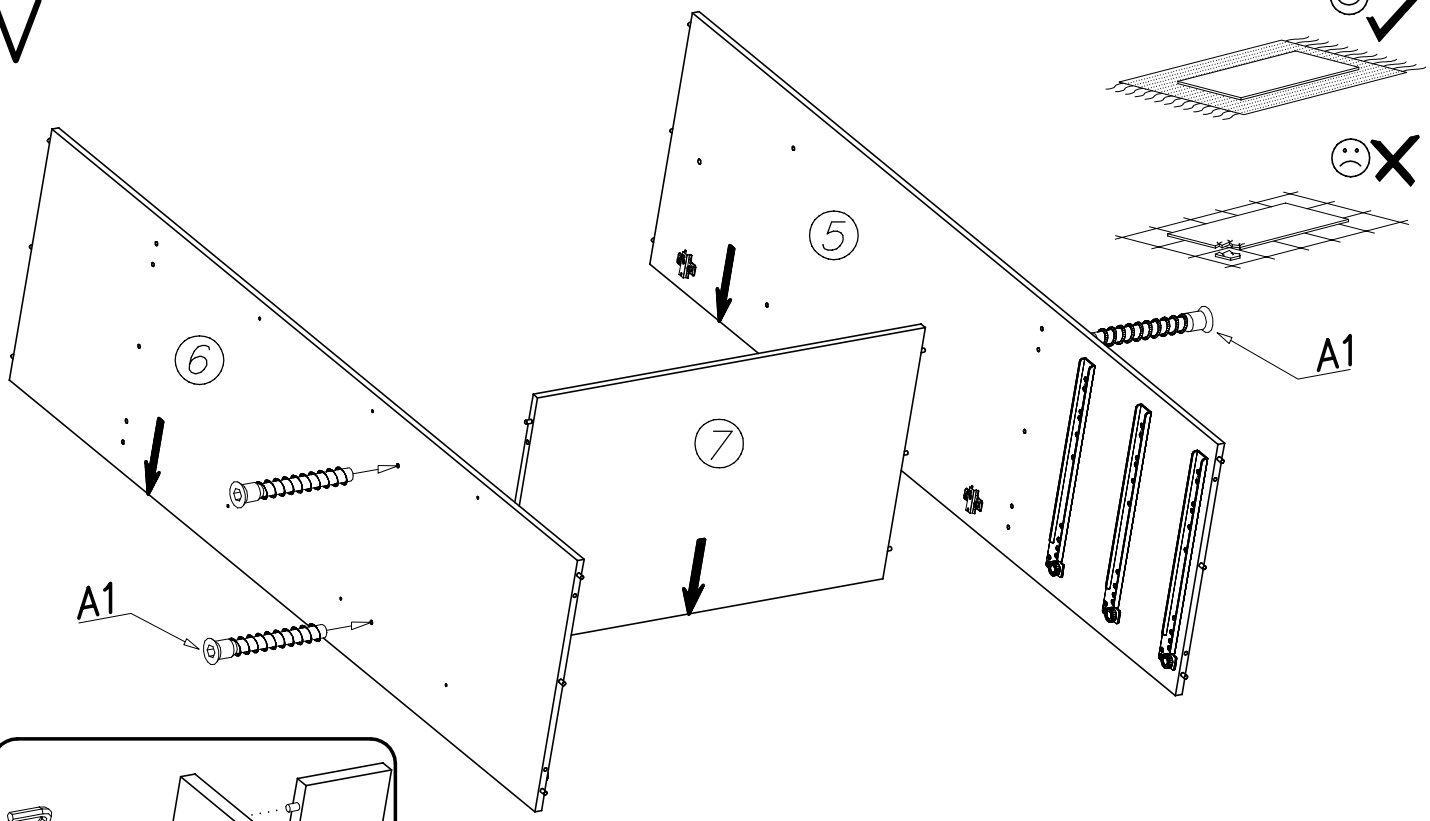


W2		x...(1)	G36		3x13	x...(24)	W1		GLUE, LEIM, LEPIDLO, LIM	x...(1)
H7		x...(3)	A1		Ø7x50	x...(6)	E26		x...(6)	
			B1		Ø8x35	x...(24)	G8		4x30	x...(12)

IV

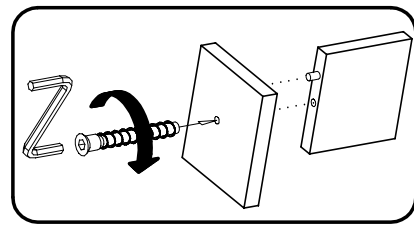
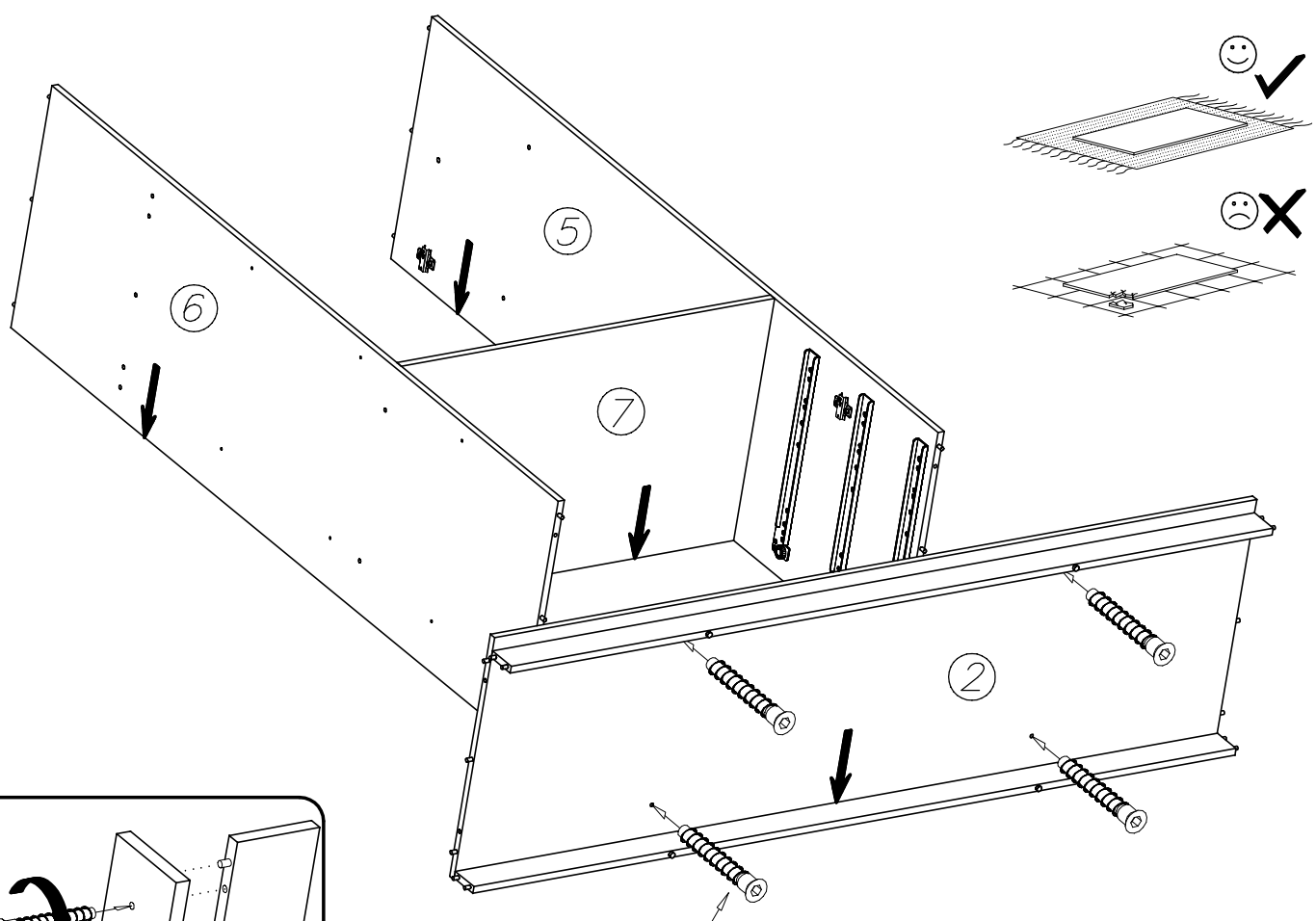


V



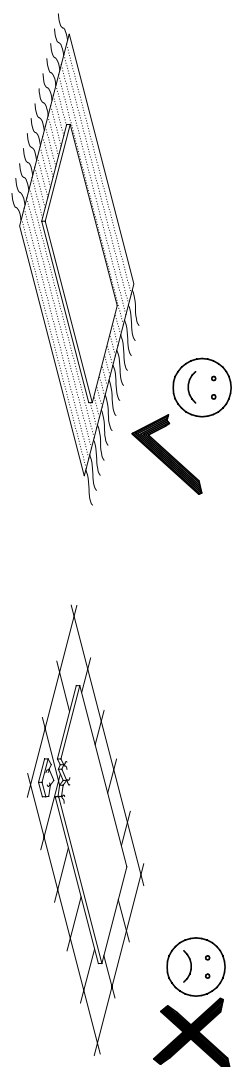
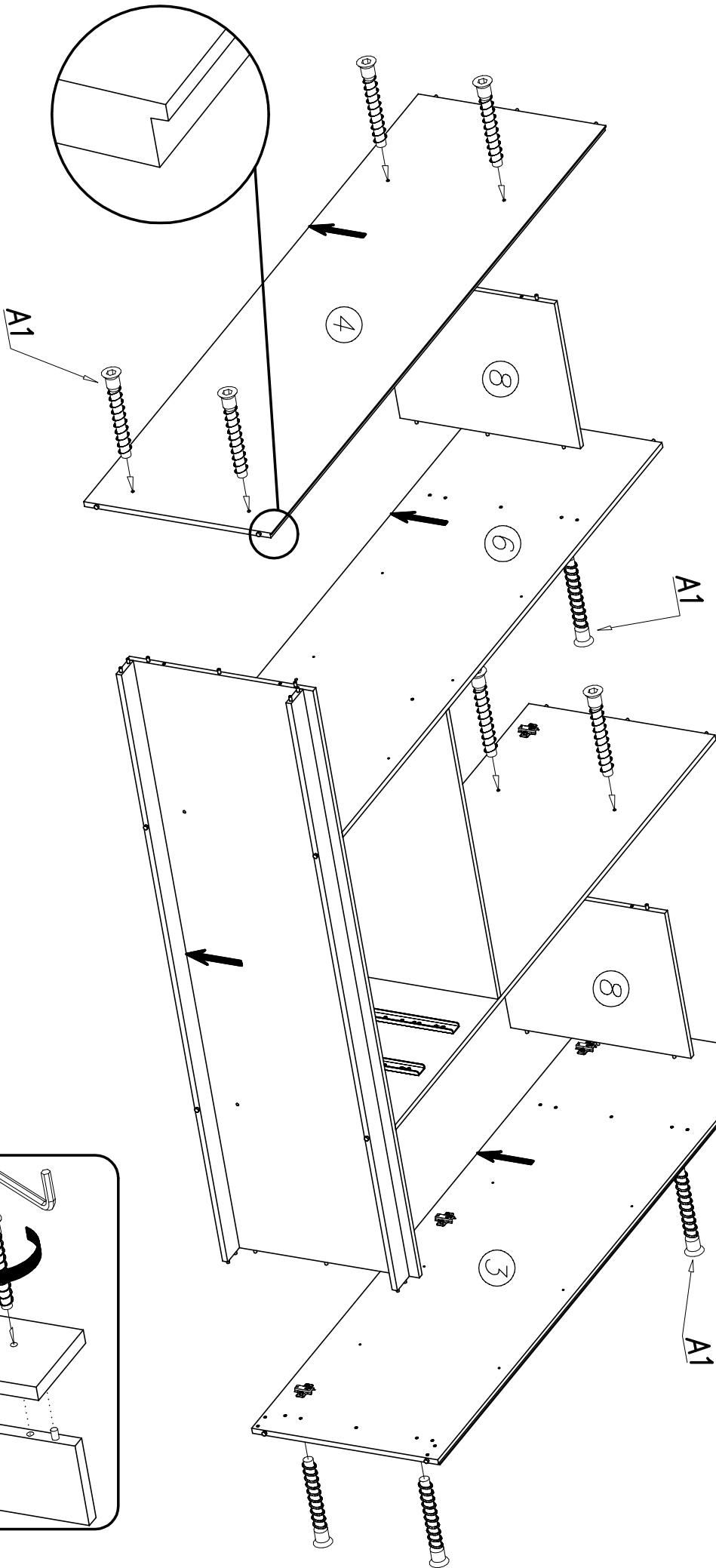
W2		A1	
	x...(1)	ø7x50	x...(4)

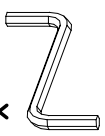
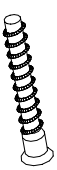
VI

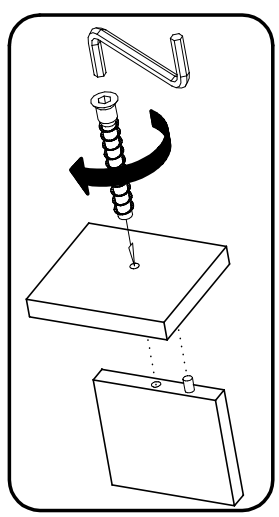


W2		A1	
	x...(1)	ø7x50	x...(4)

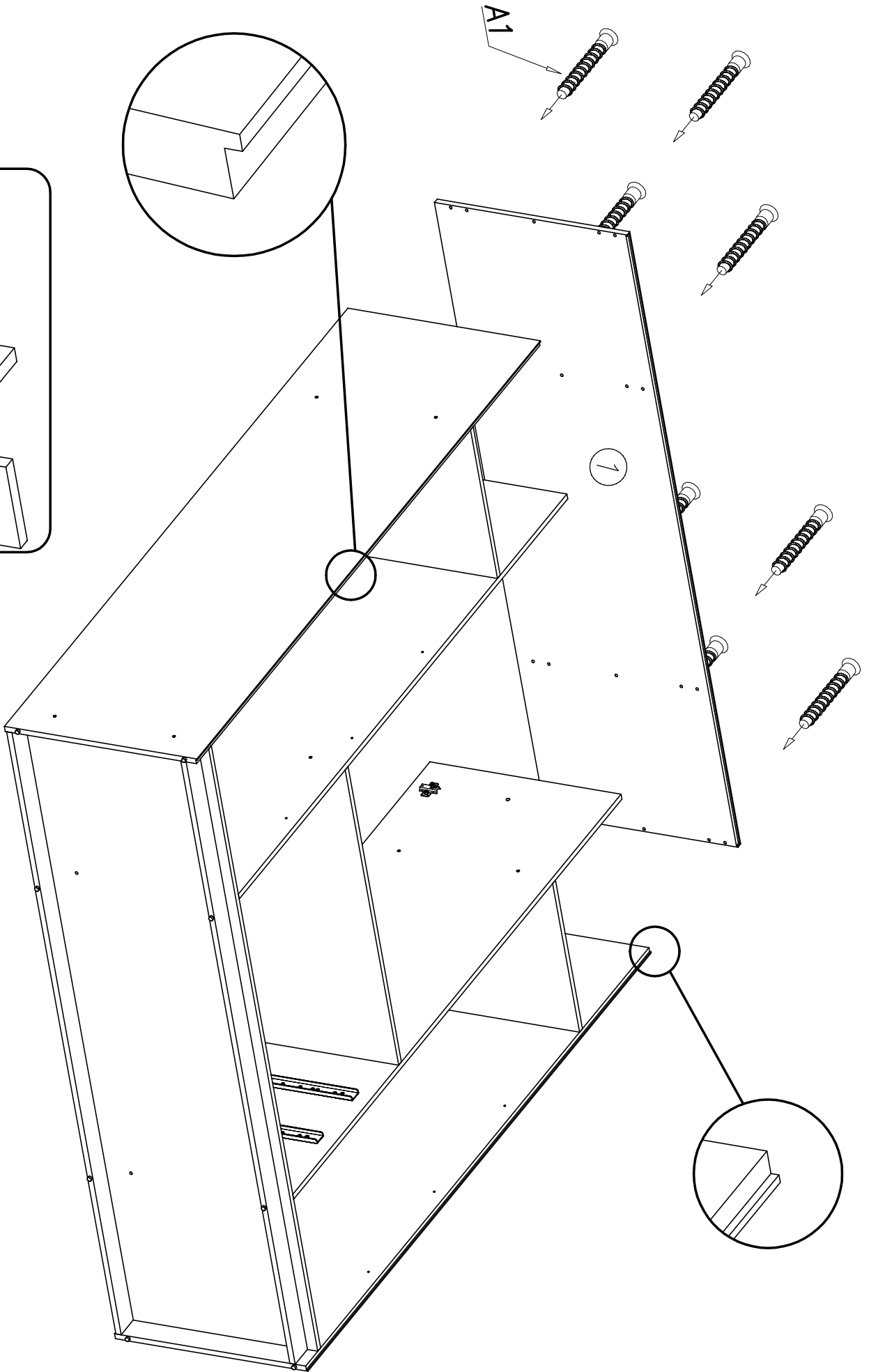
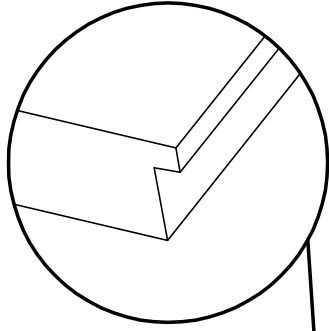
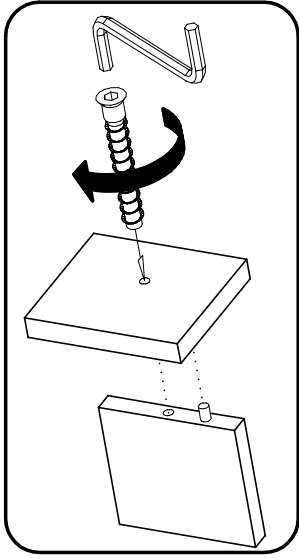
VII



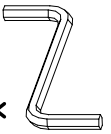
- | | |
|--|---|
| 
W2
x...(1) | 
A1
Ø7x50
x...(12) |
|--|---|



VIII

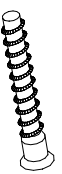


W2



x... (1)

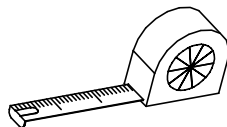
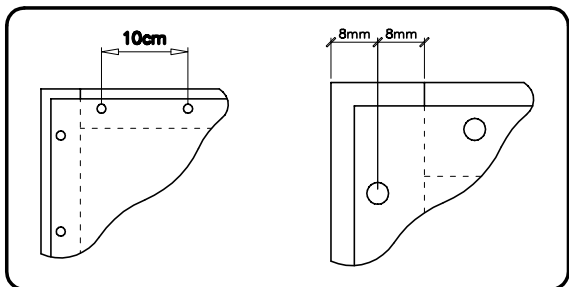
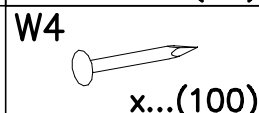
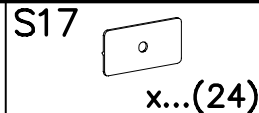
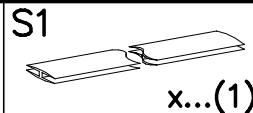
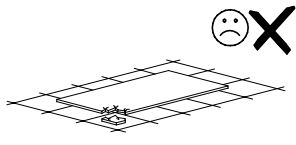
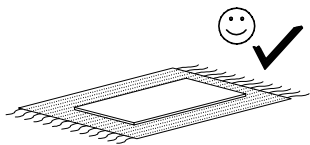
A1



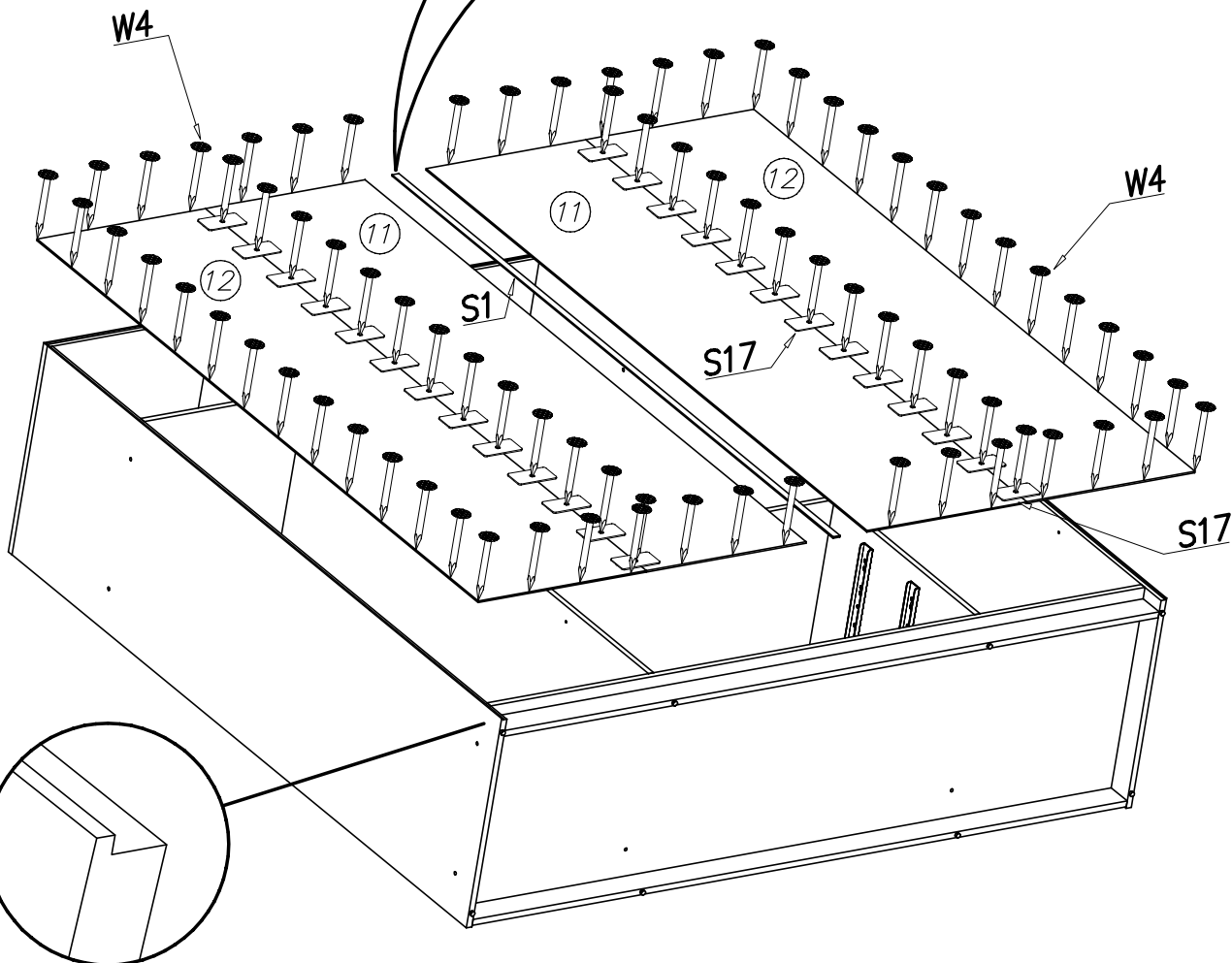
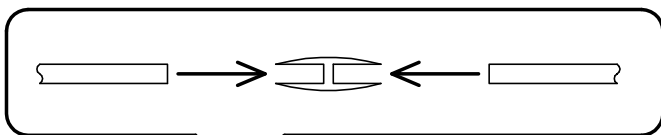
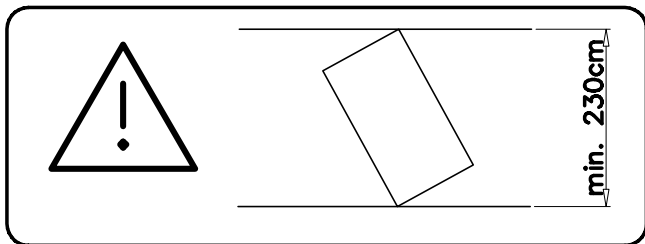
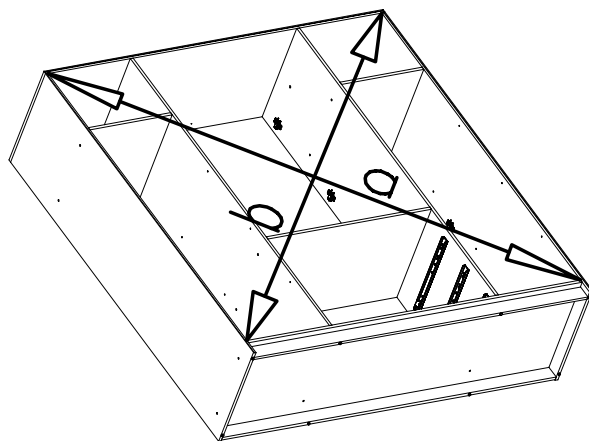
ø7x50

x... (8)

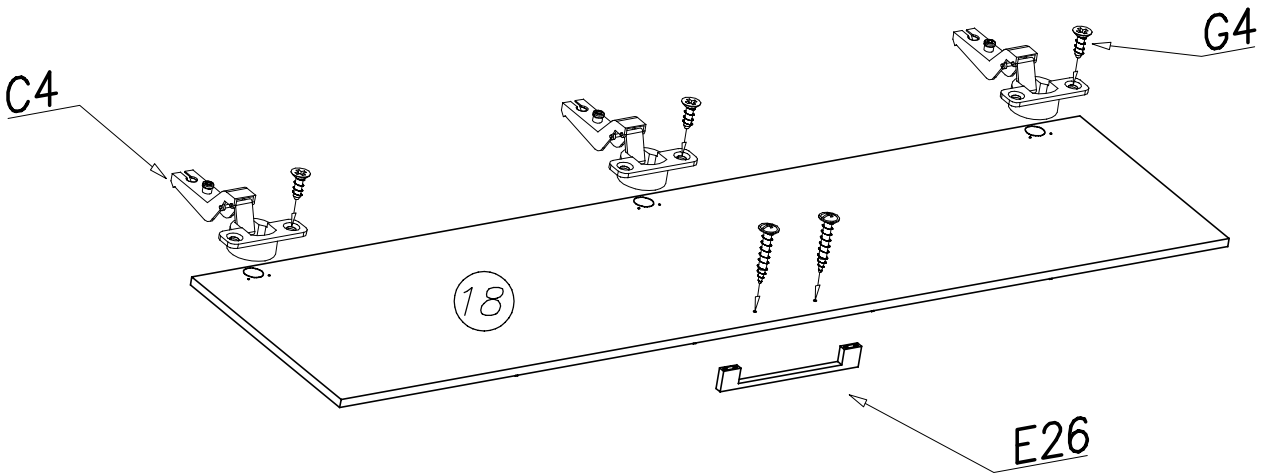
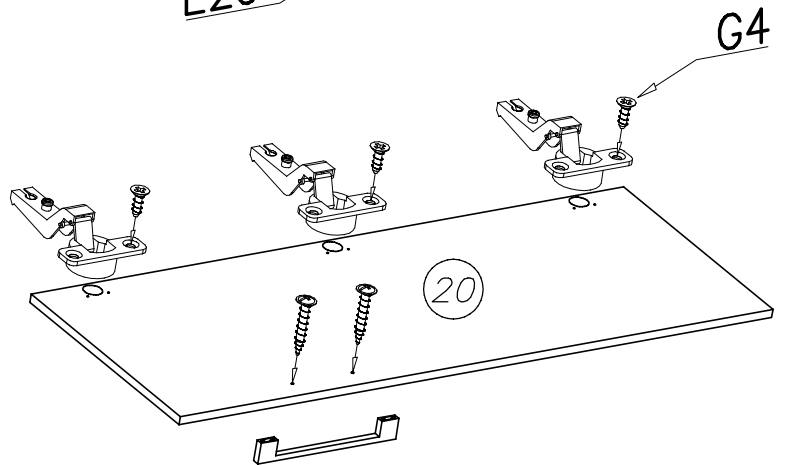
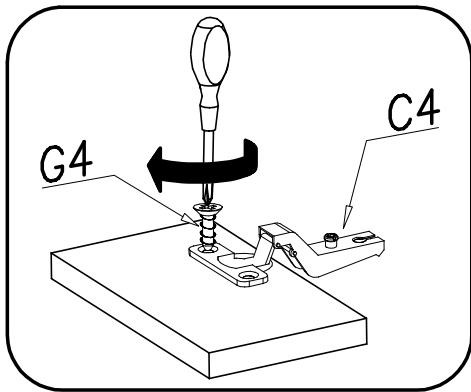
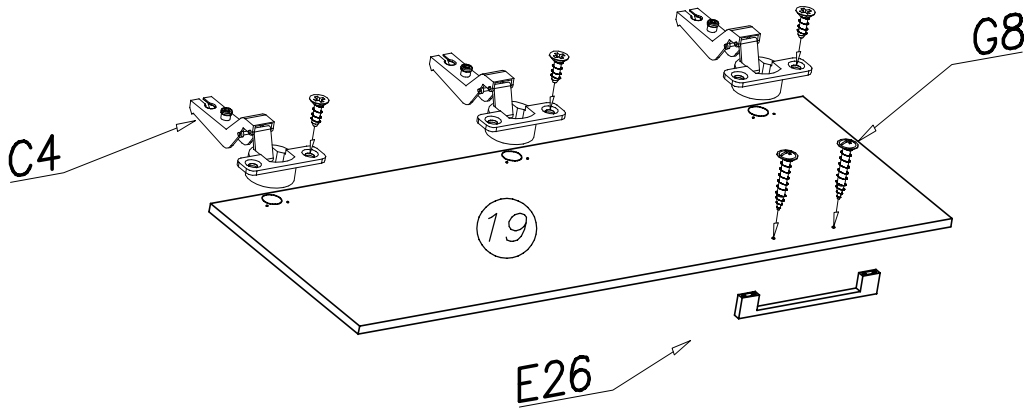
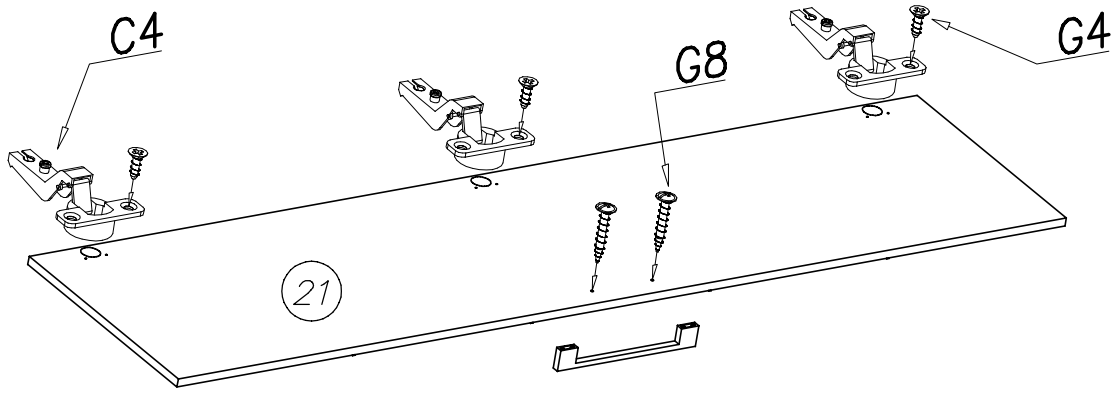
IX


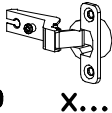

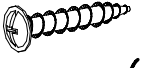


$a = b$

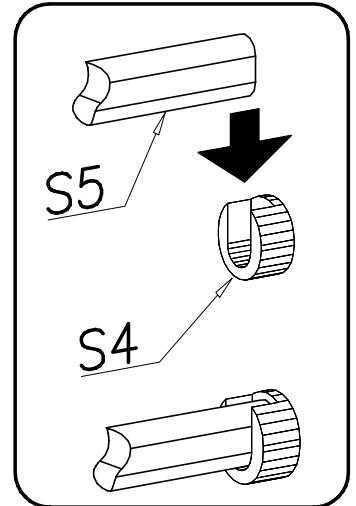
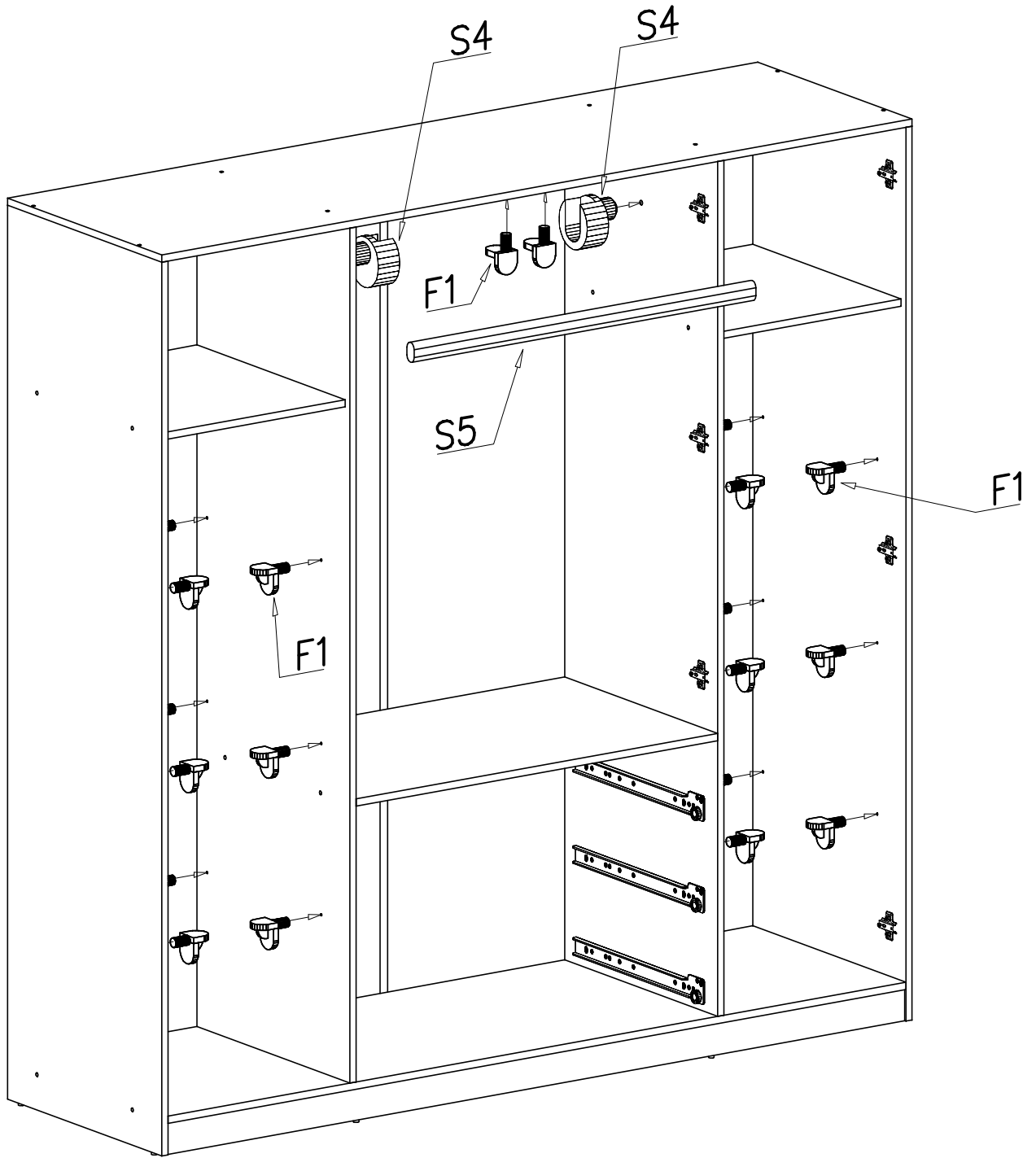


X



G4		C4		E26		G8	
4x16	x...(24)	Z350D	x...(12)		x...(4)	4x30	x...(8)

XI



S4



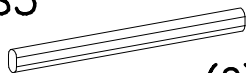
x...(2)

F1



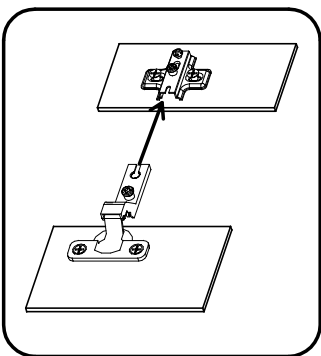
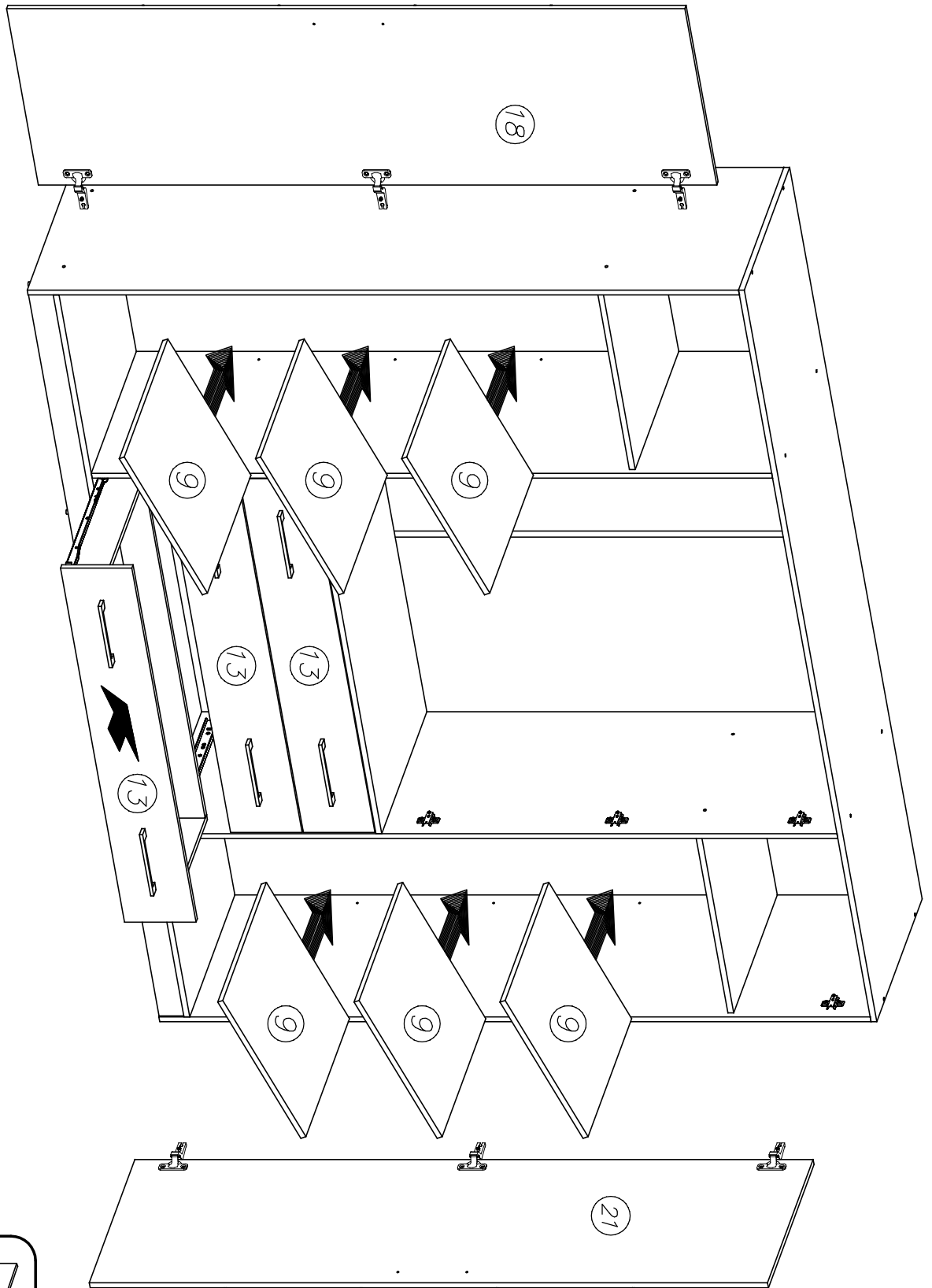
x...(2)

S5



x...(2)

XII



XIII

