







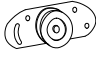
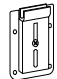

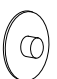



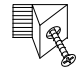





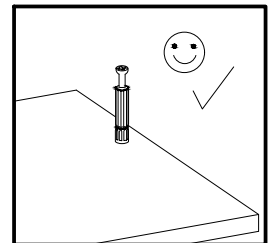
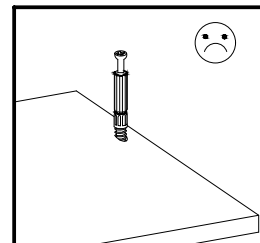
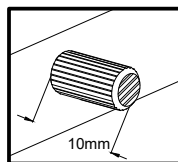
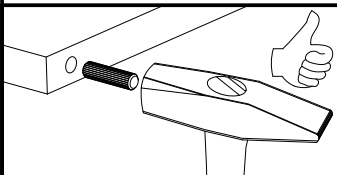
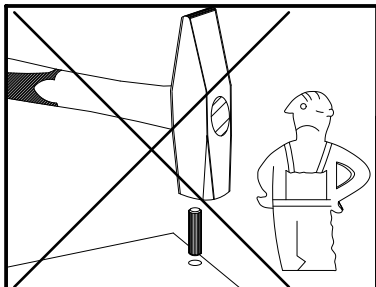
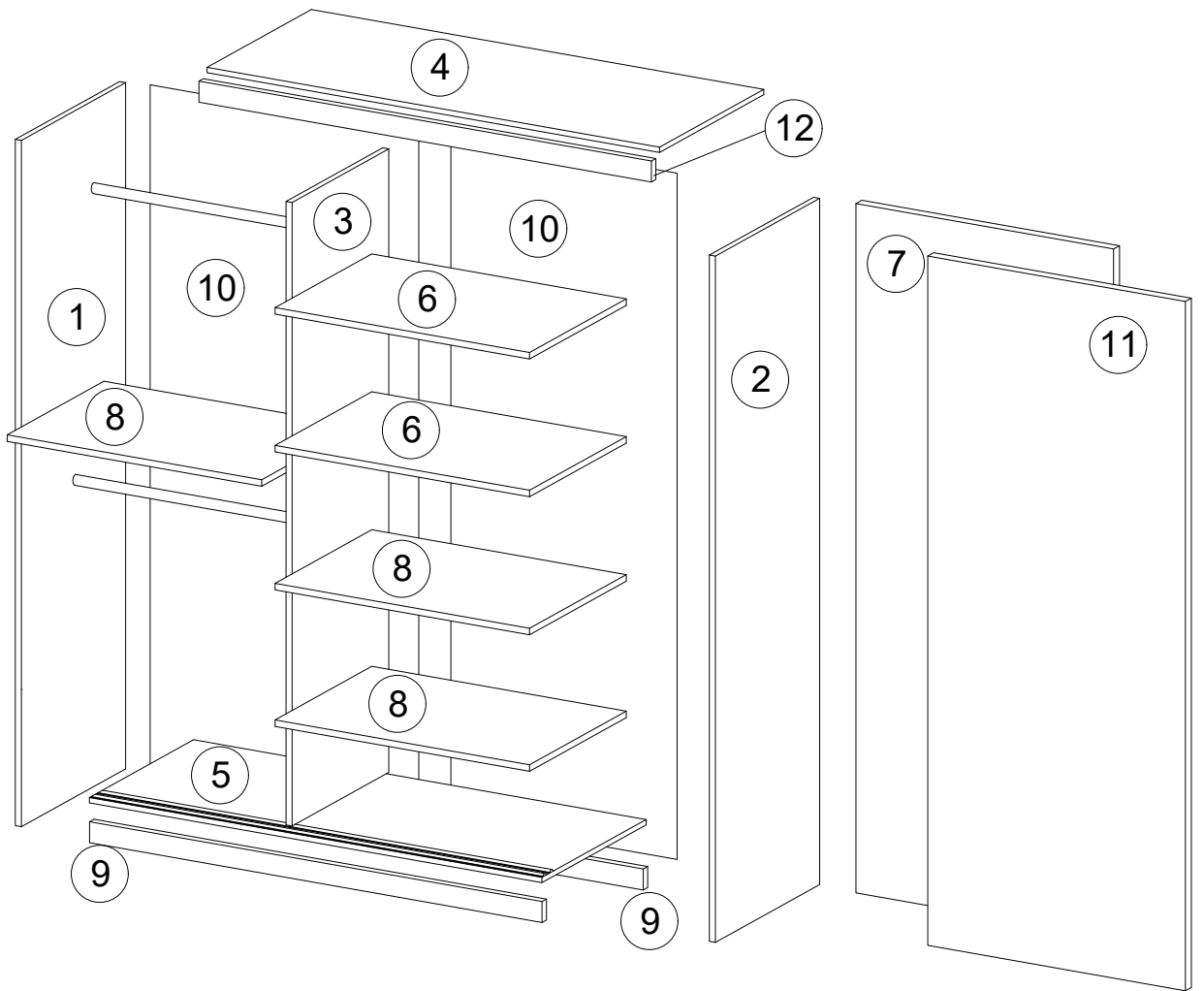


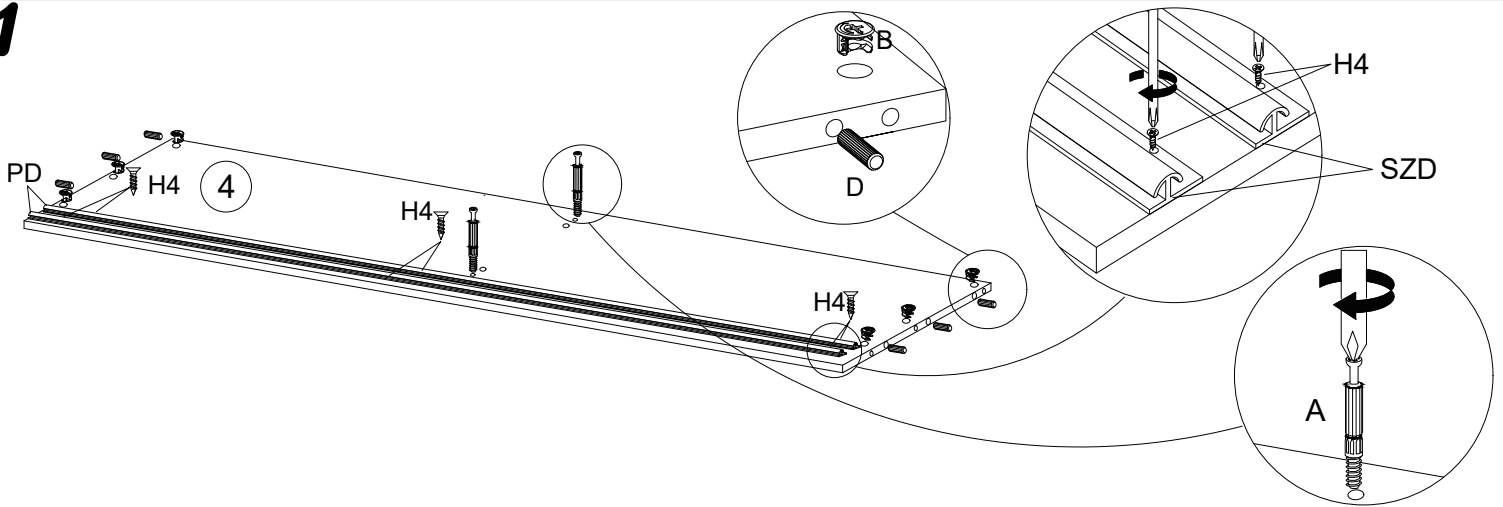
8.0x35  D 16	4.0x25  G 4	 Y 12	 A 28	 B 28	3.5x16  H 24	 V 12	 N 4	 K2 4	 K1 4	 S3 8
 X 20	 F 2	 S 19	 S1 40	 I 30	L-465  V1 2	6.3x13  Q 8	 J 8	 PD 4	3.0x13  H4 12	



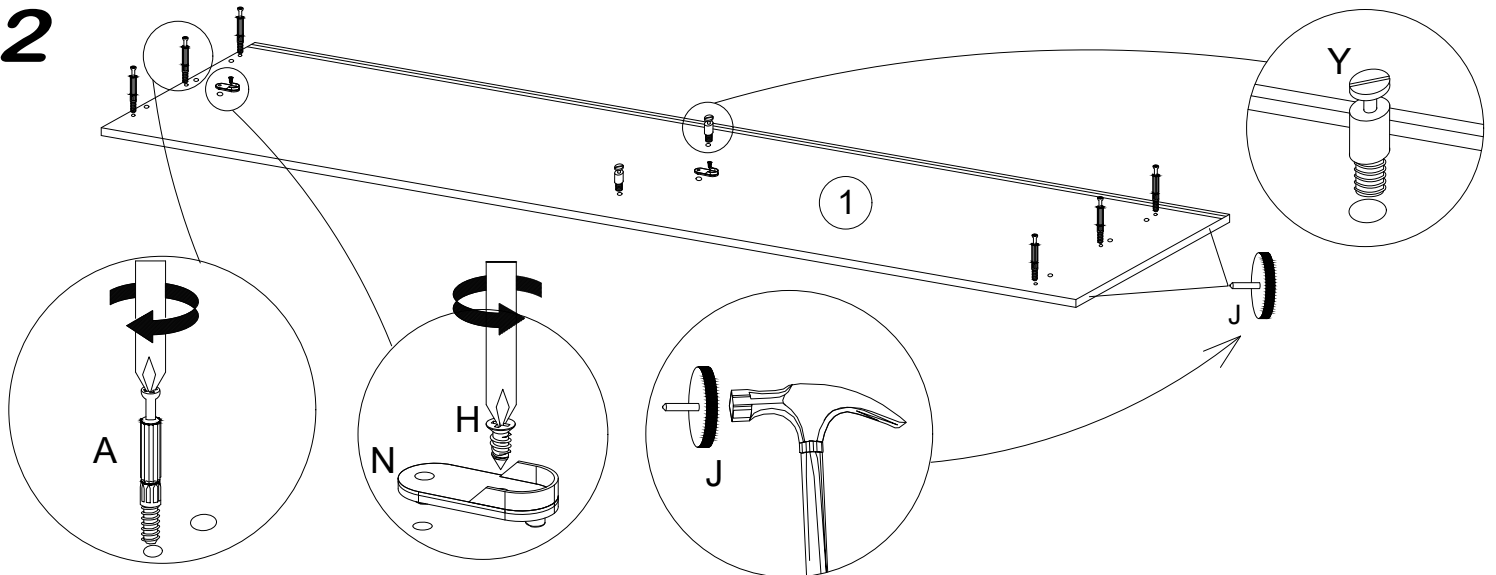
No.	Pcs.	L	W	D
1.	1	2000	620	16
2.	1	2000	620	16
3.	1	1888	480	16
4.	1	968	582	16
5.	1	968	600	16
6.	2	475	480	16
7.	1	1873	500	16
8.	3	475	480	16
9.	2	968	80	16
10.	2	1918	492	3
11.	1	1873	500	16
12.	1	968	70	16

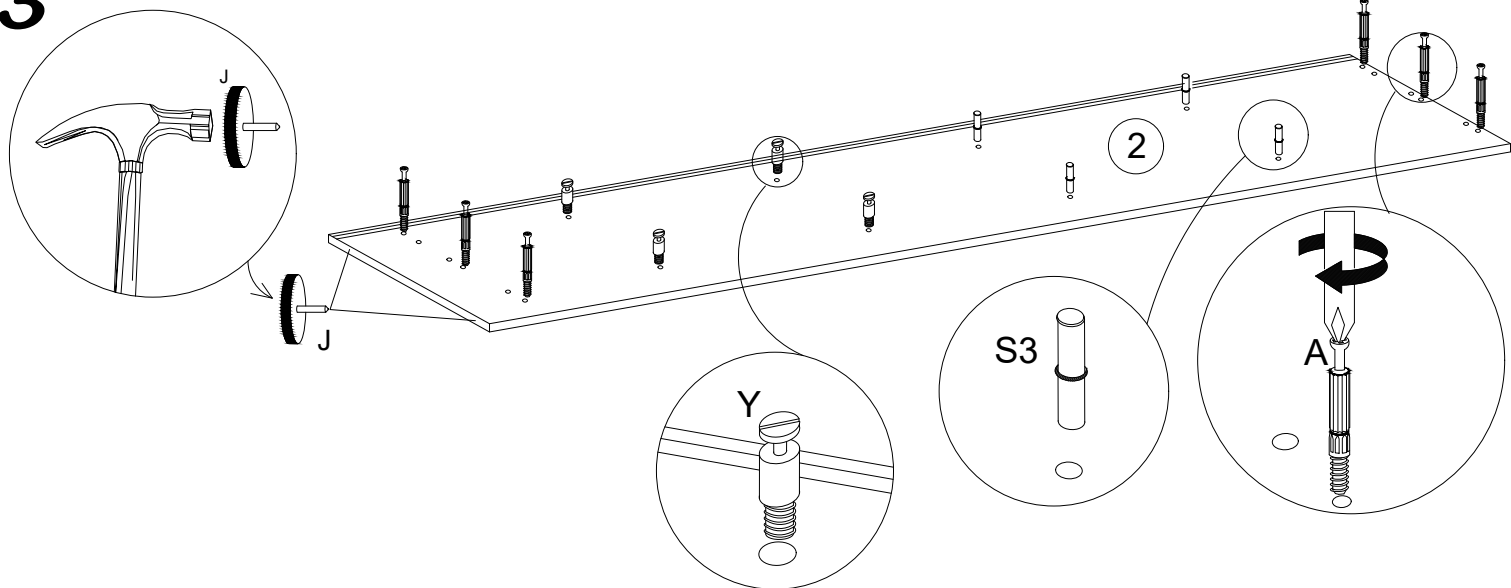
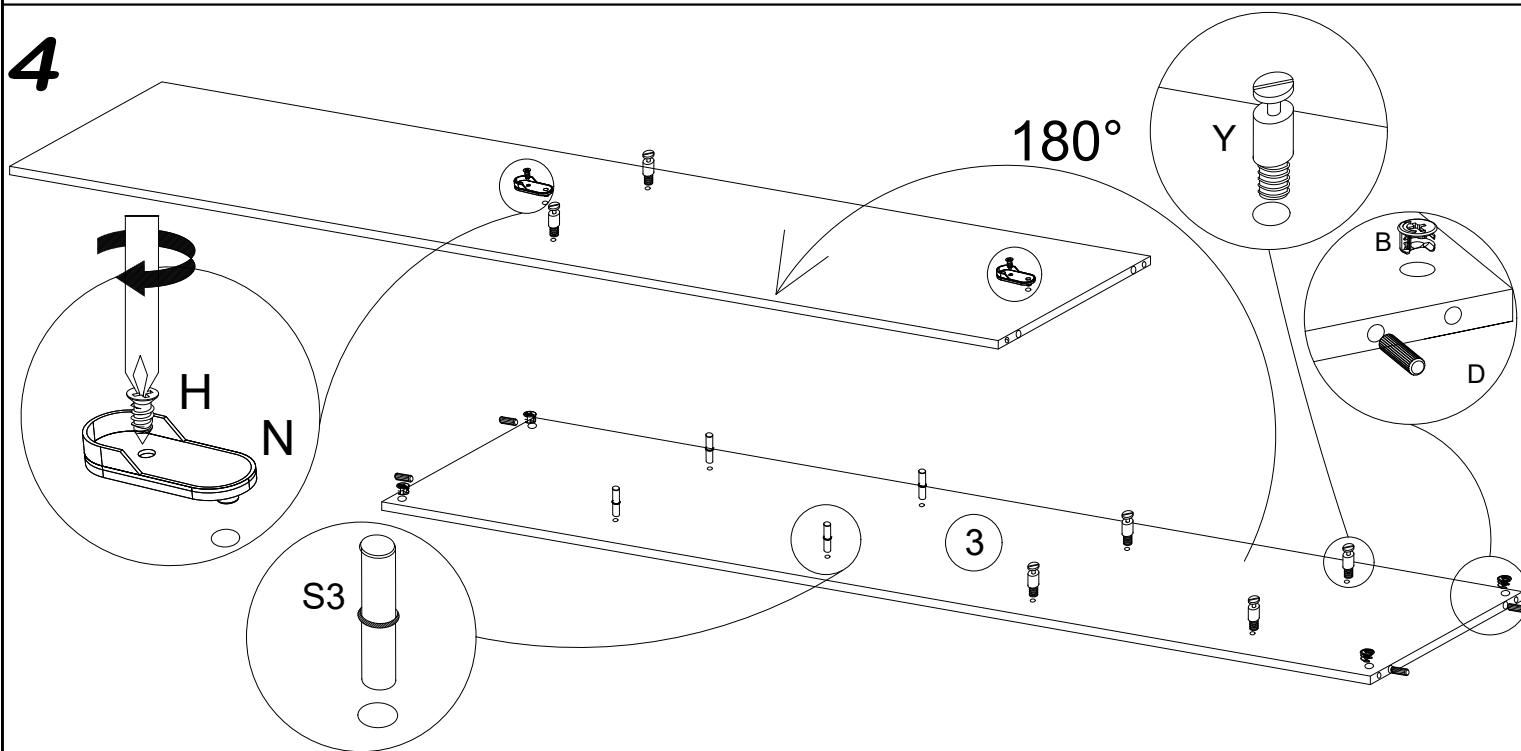
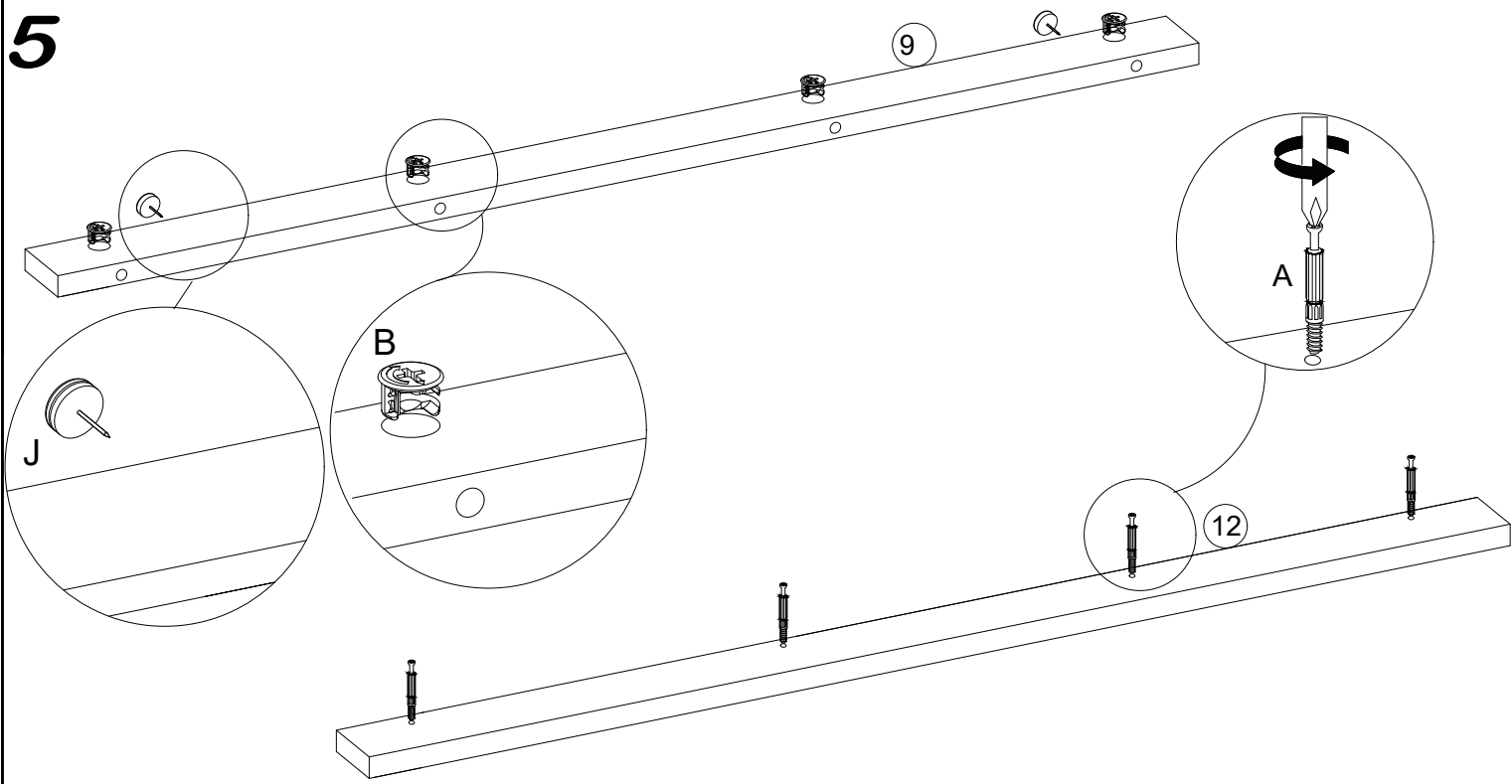


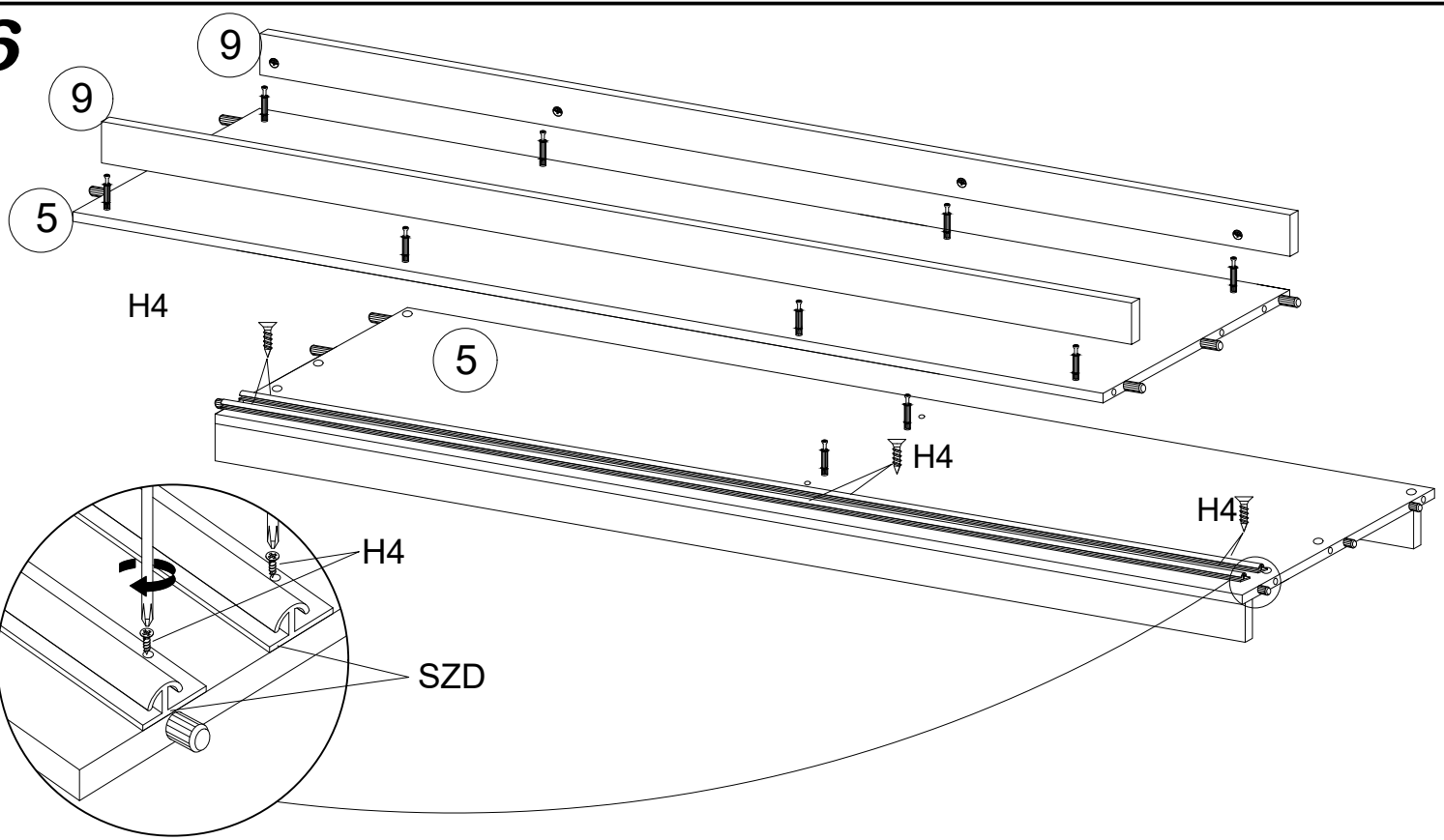
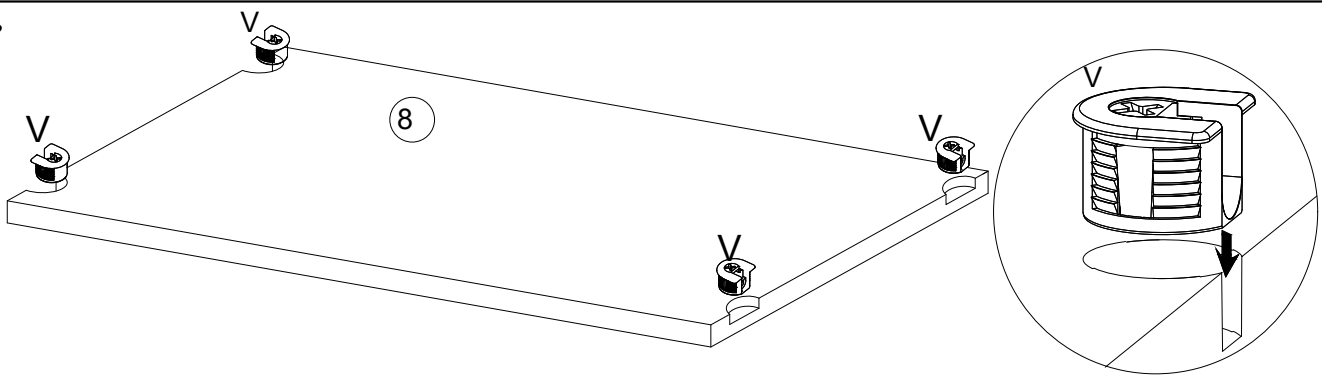
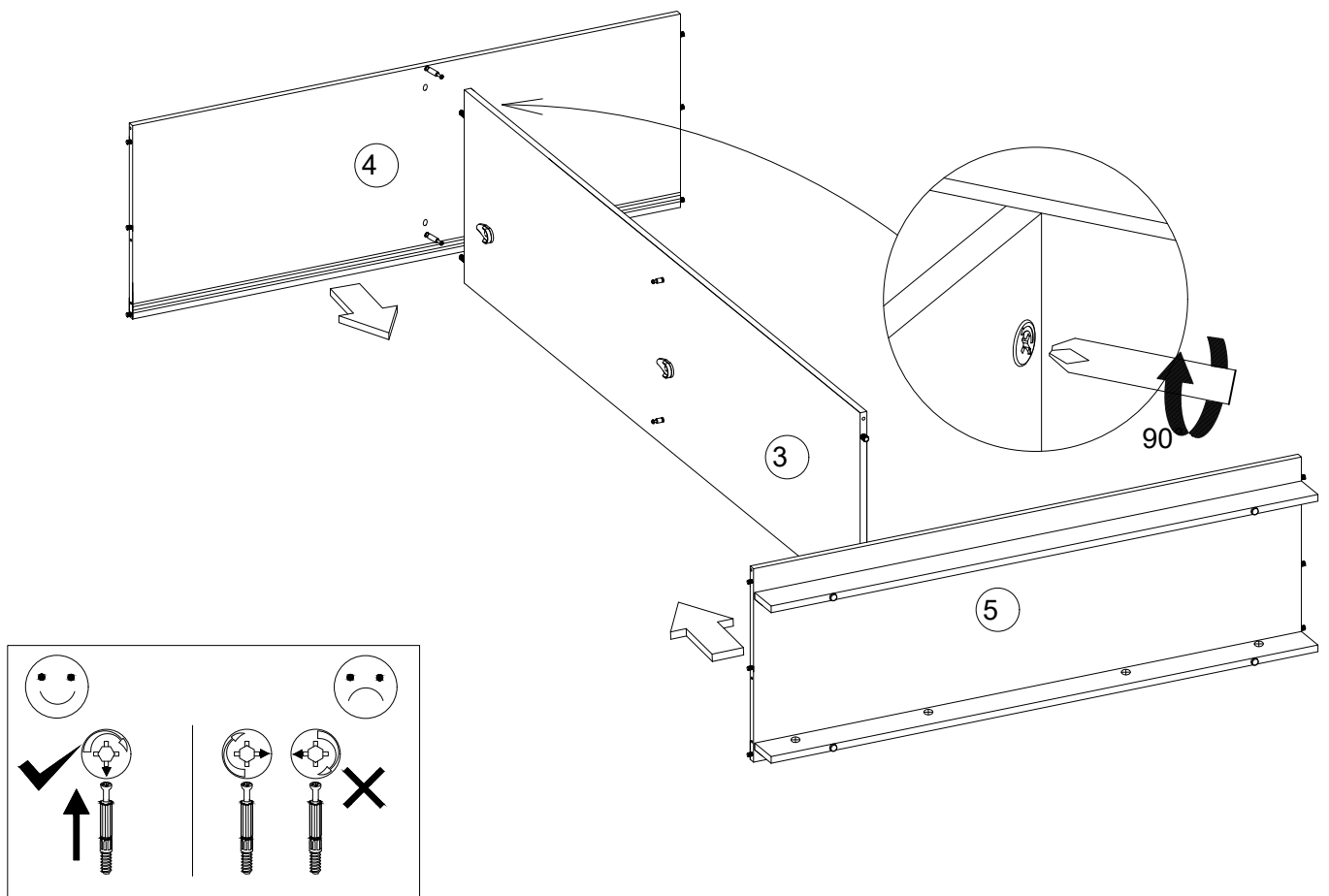
1



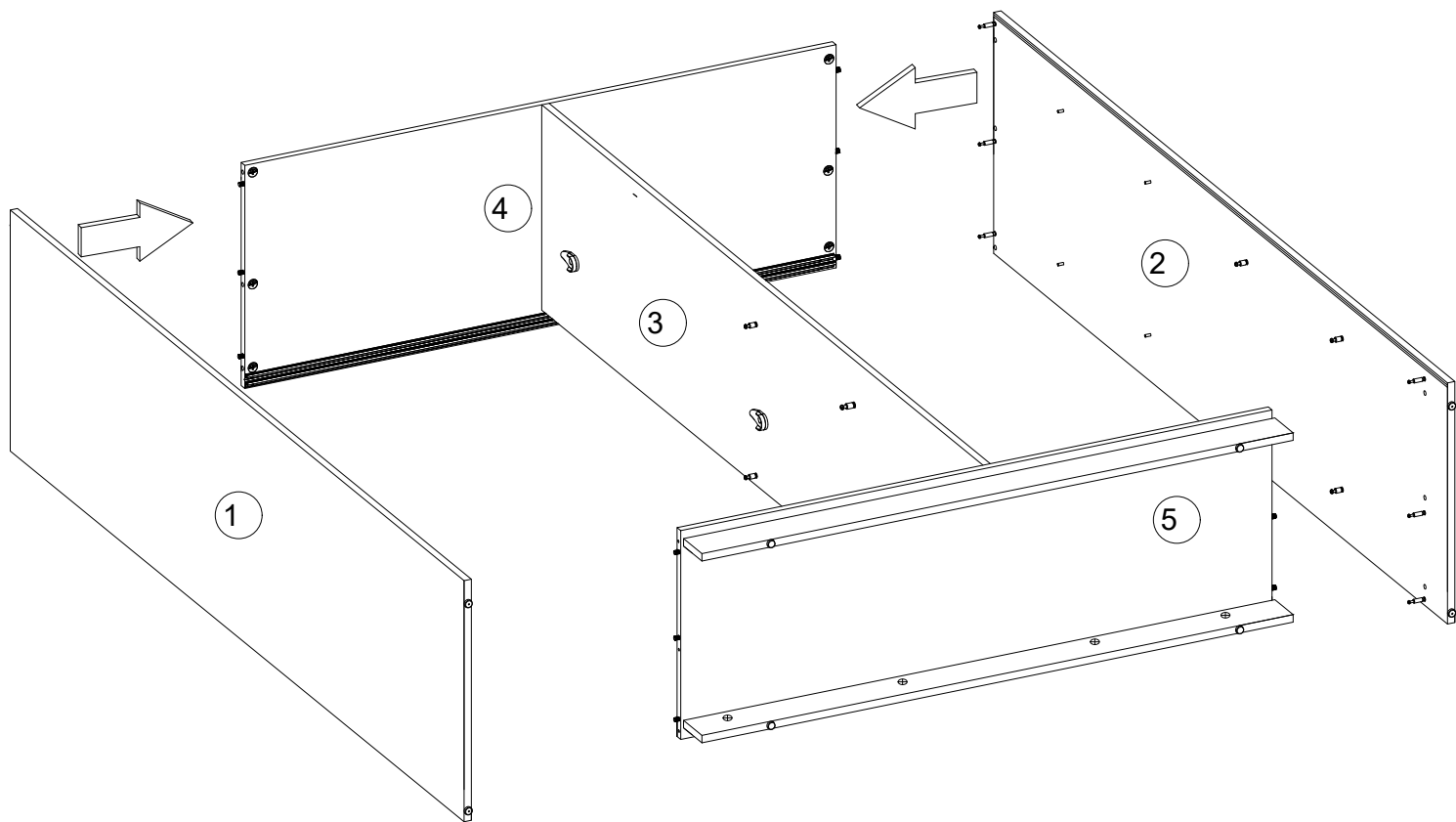
2



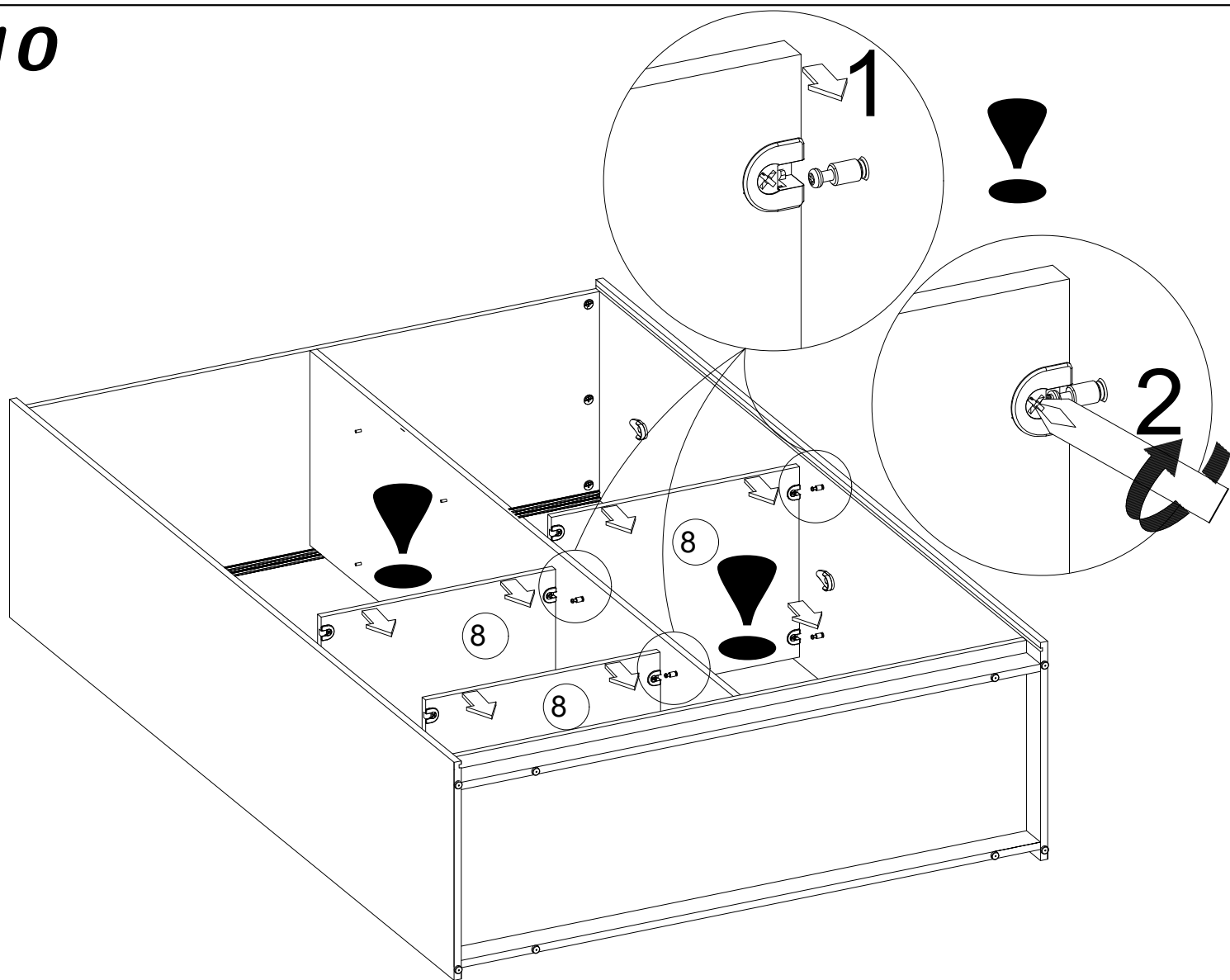
3**4****5**

6**7****8**

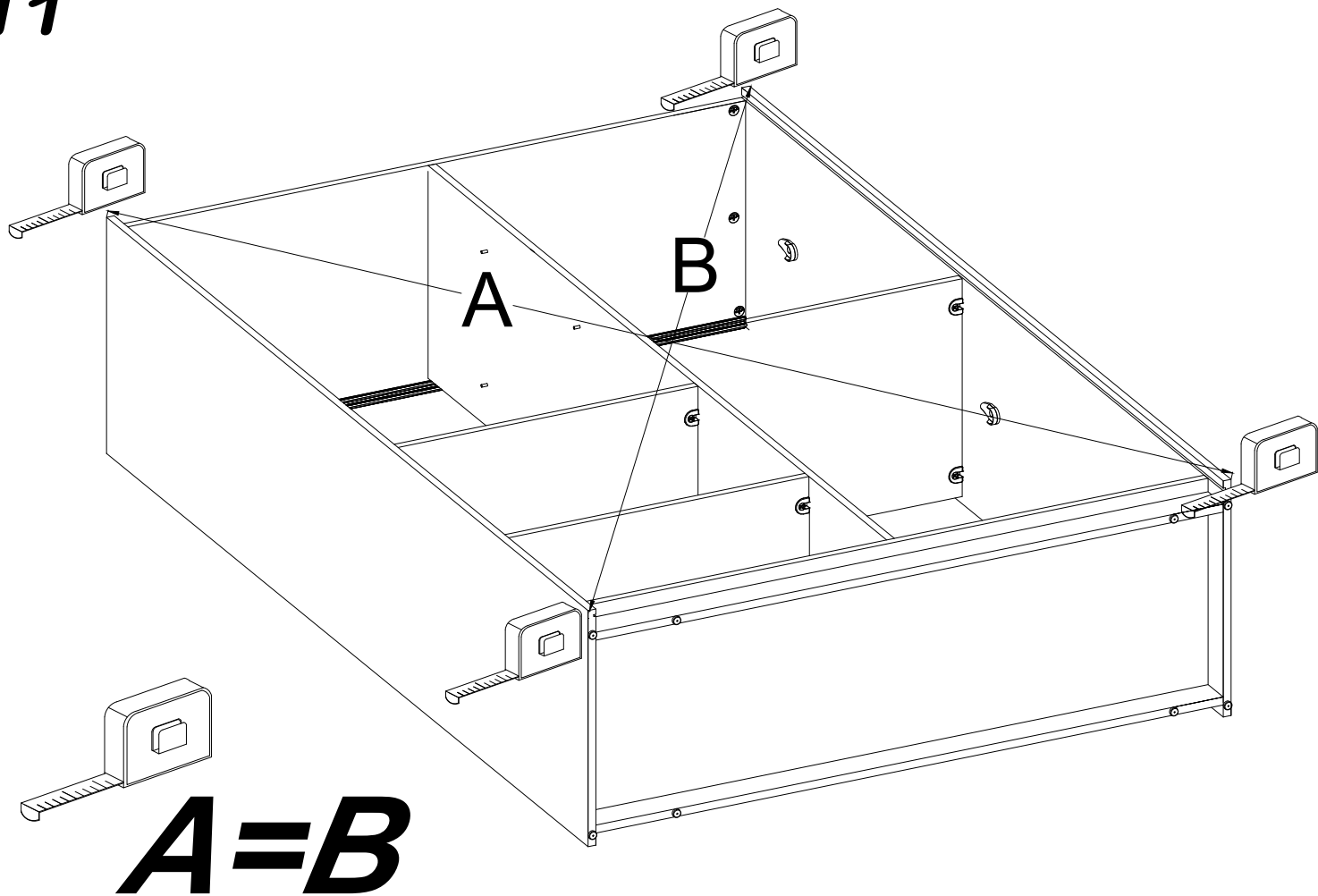
9



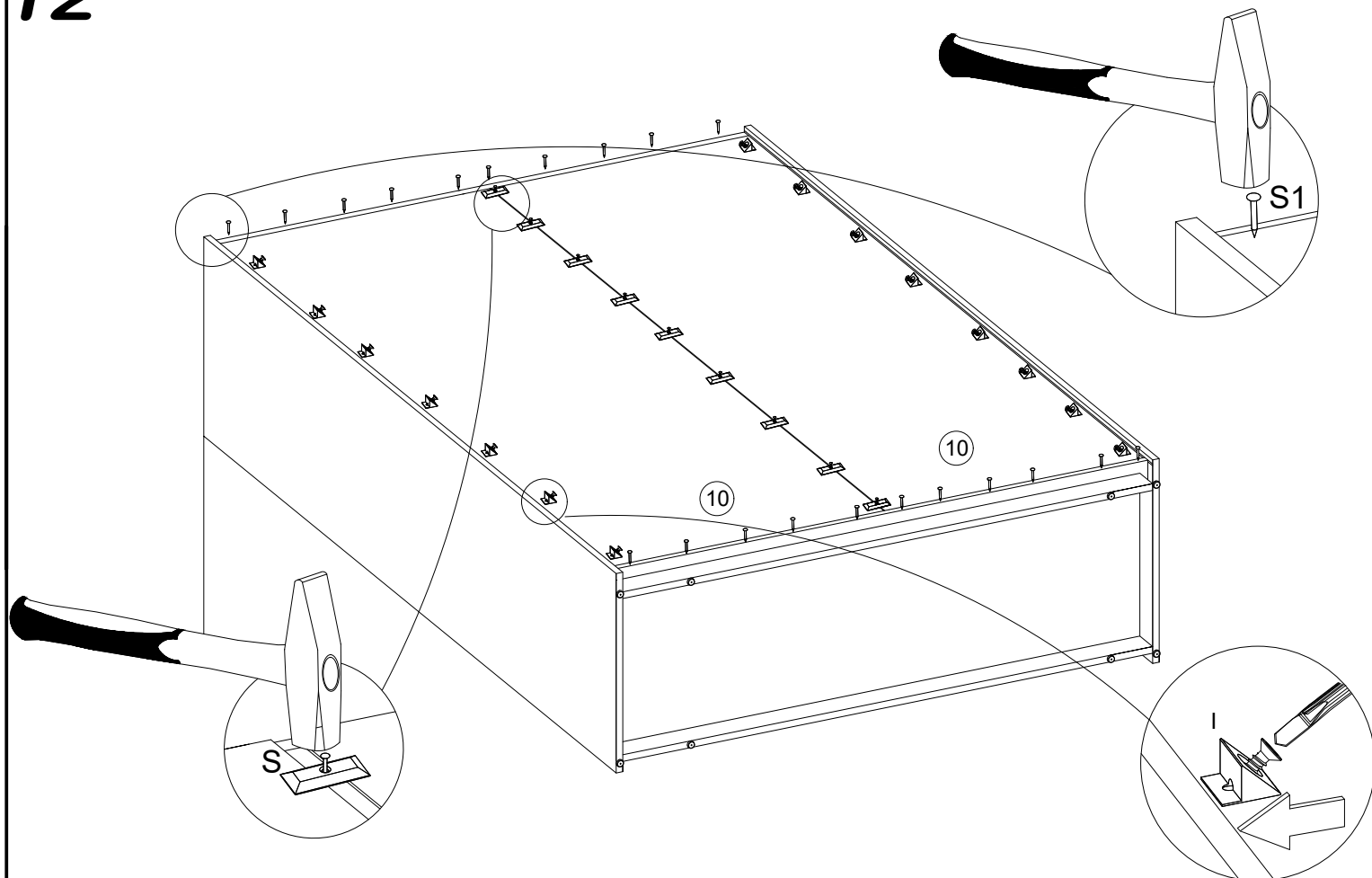
10



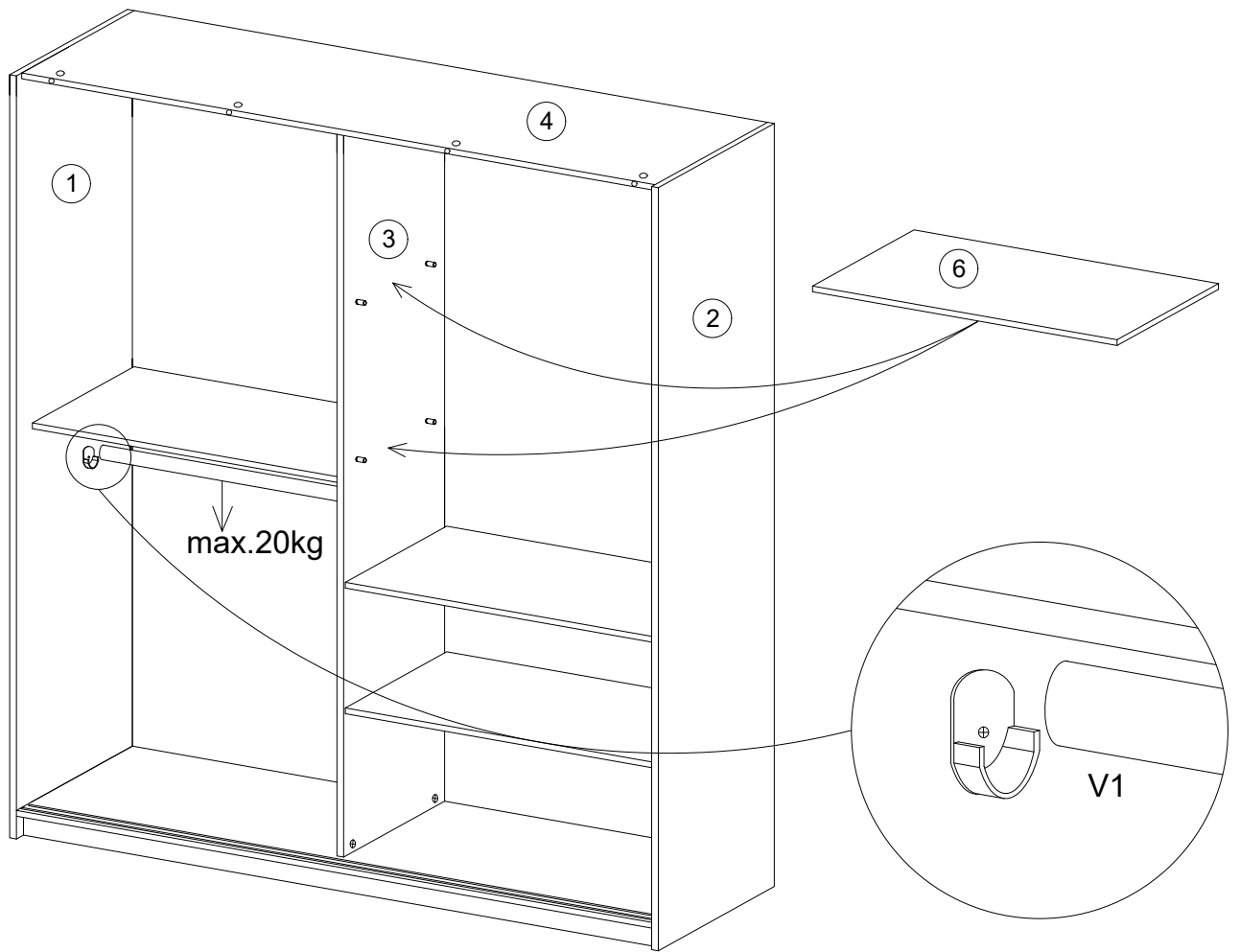
11



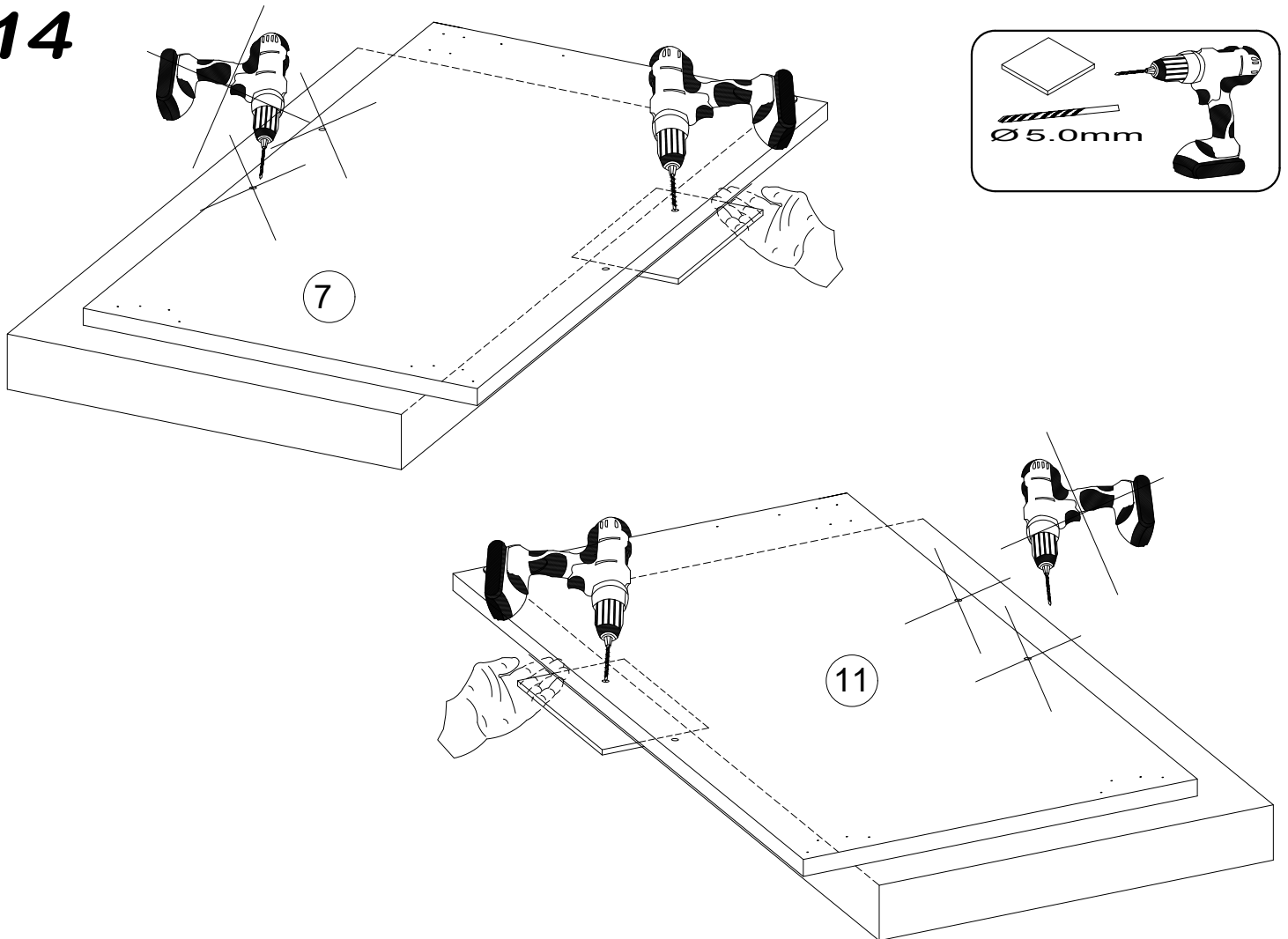
12



13

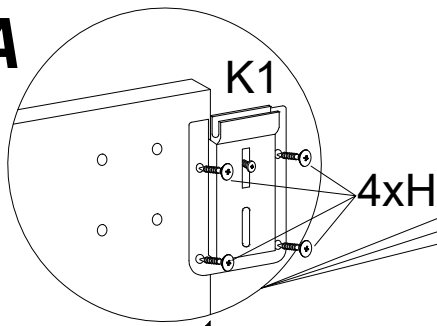


14

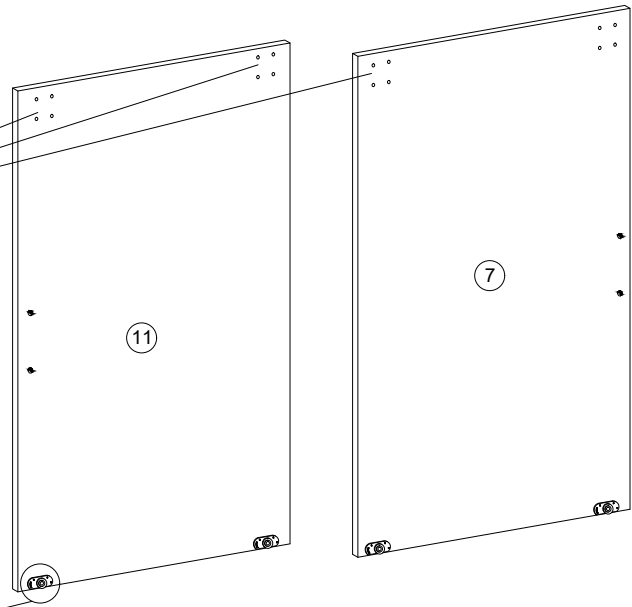
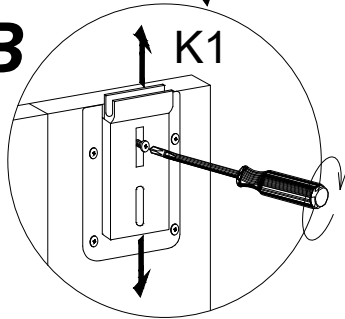


15

A

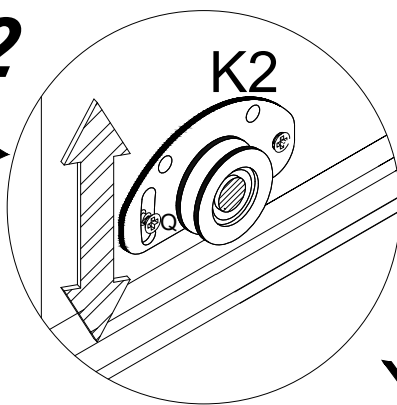
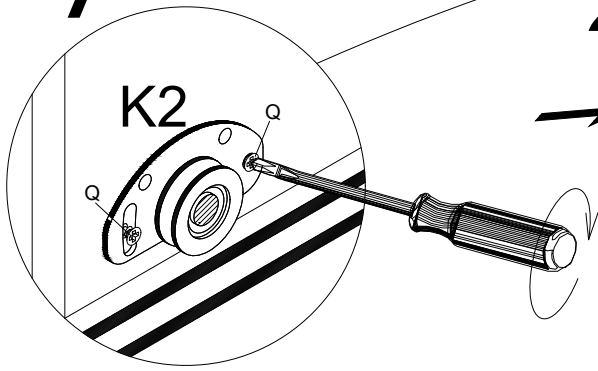


B

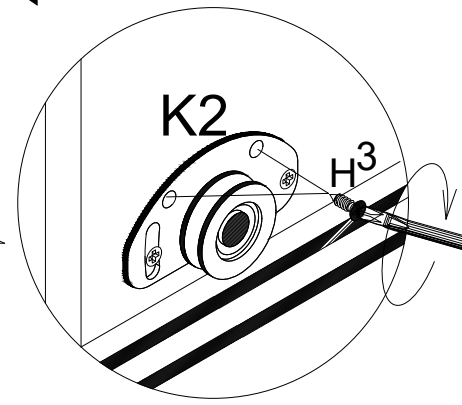
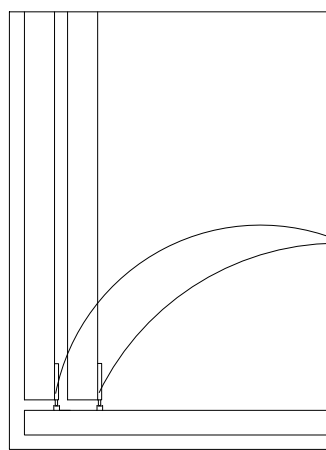


1

2



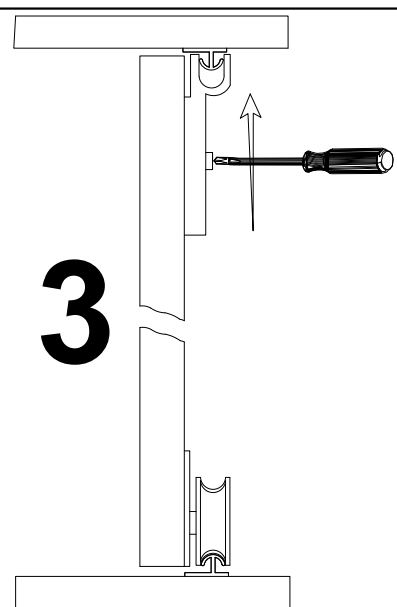
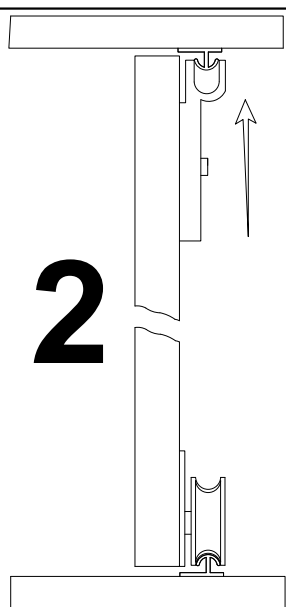
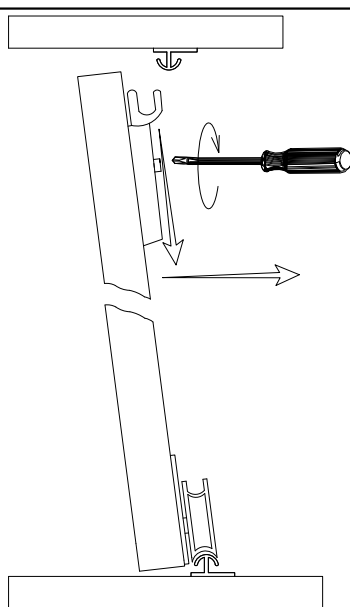
3



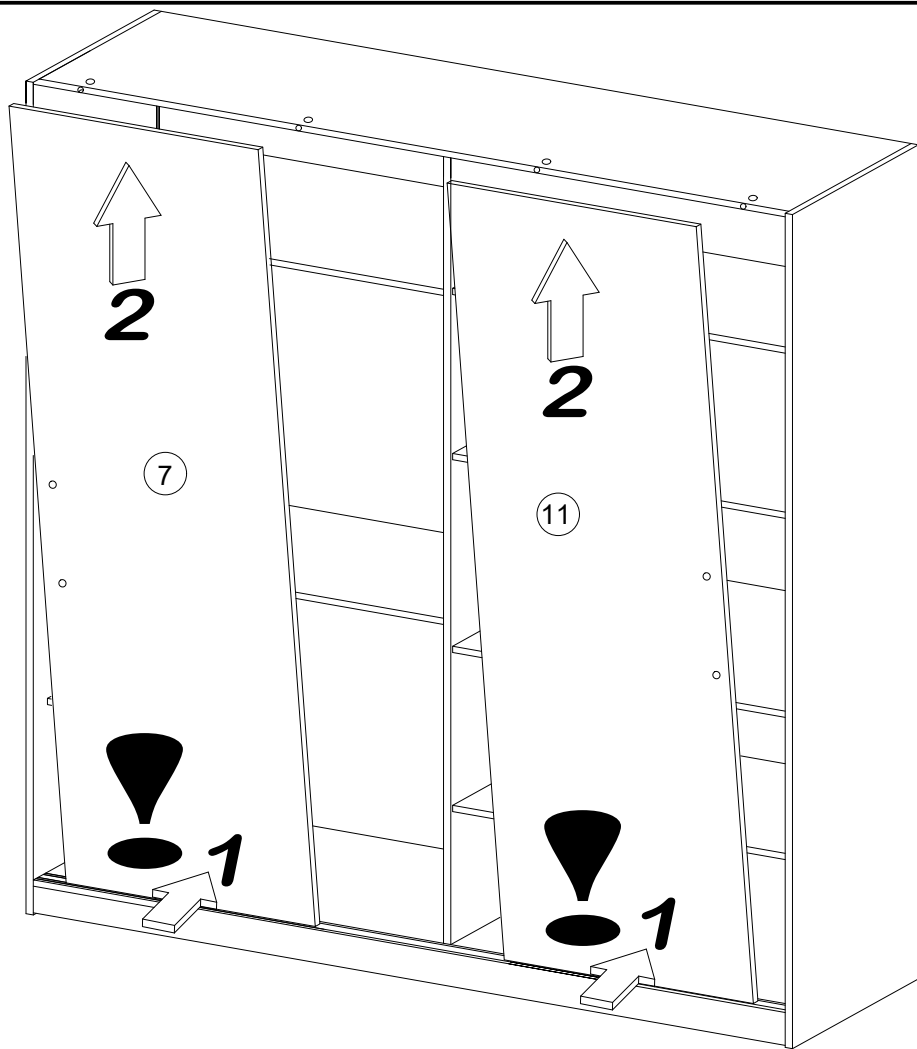
1

2

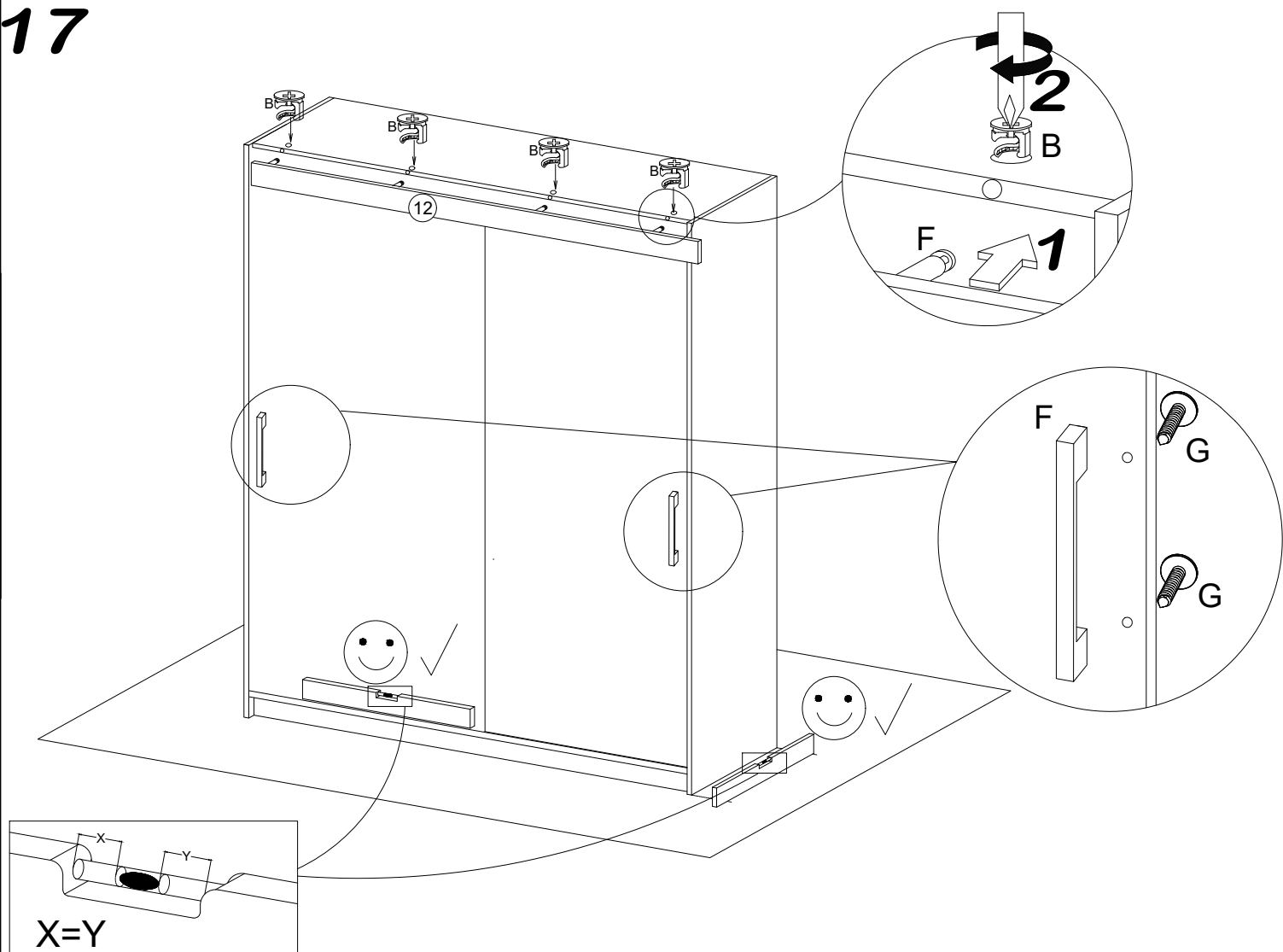
3



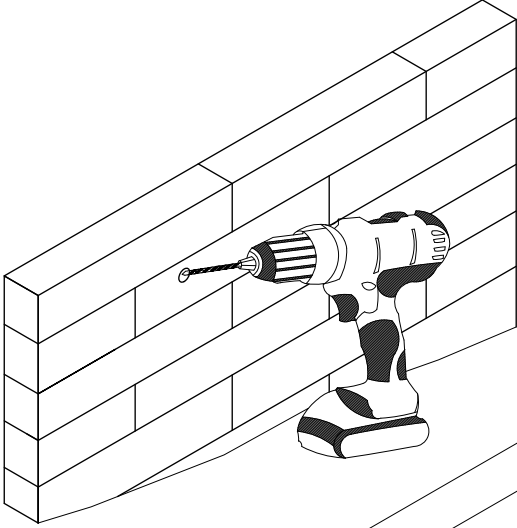
16





17

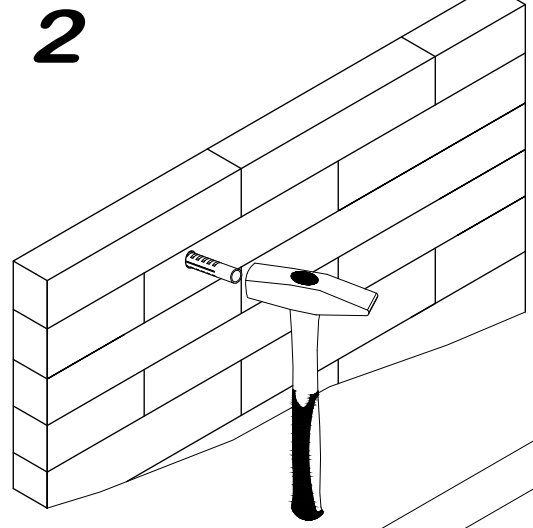


1

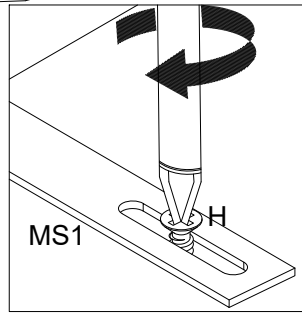
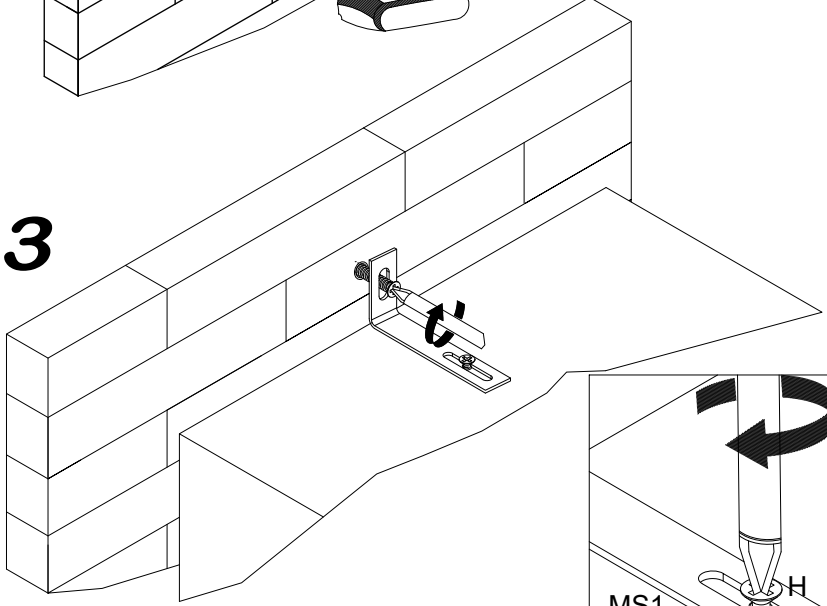


3.5x16	
	
H	MS1
1	1

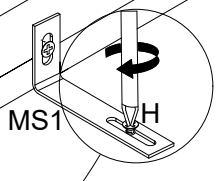
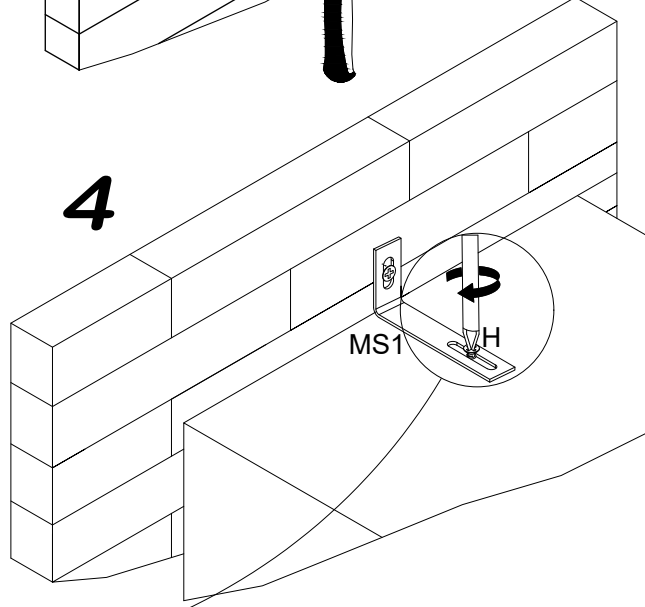
2

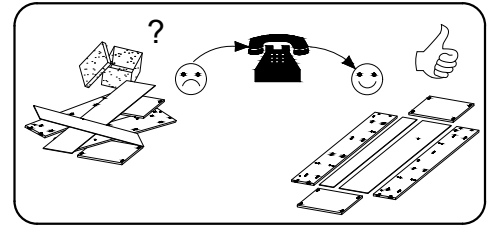
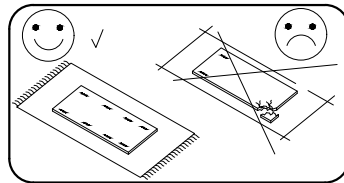
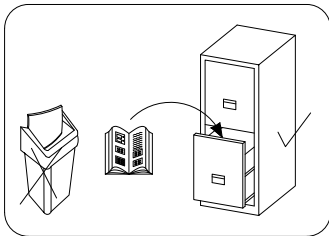
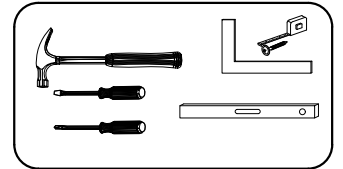
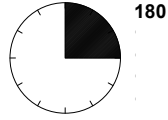
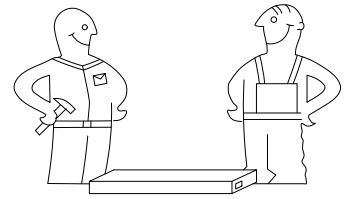
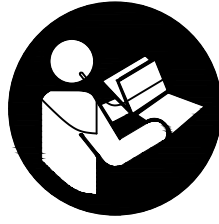











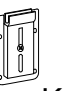

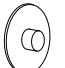



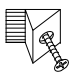






3

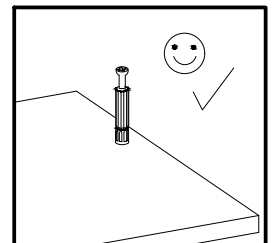
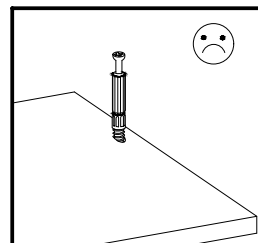
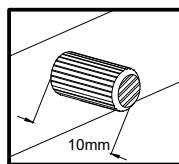
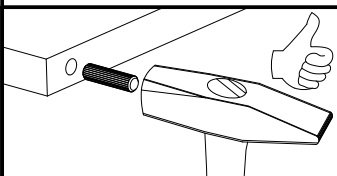
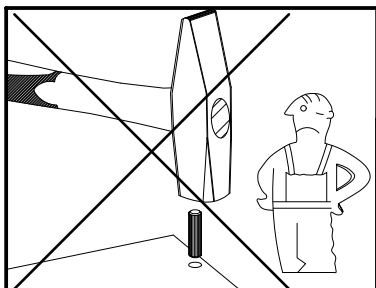
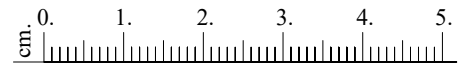


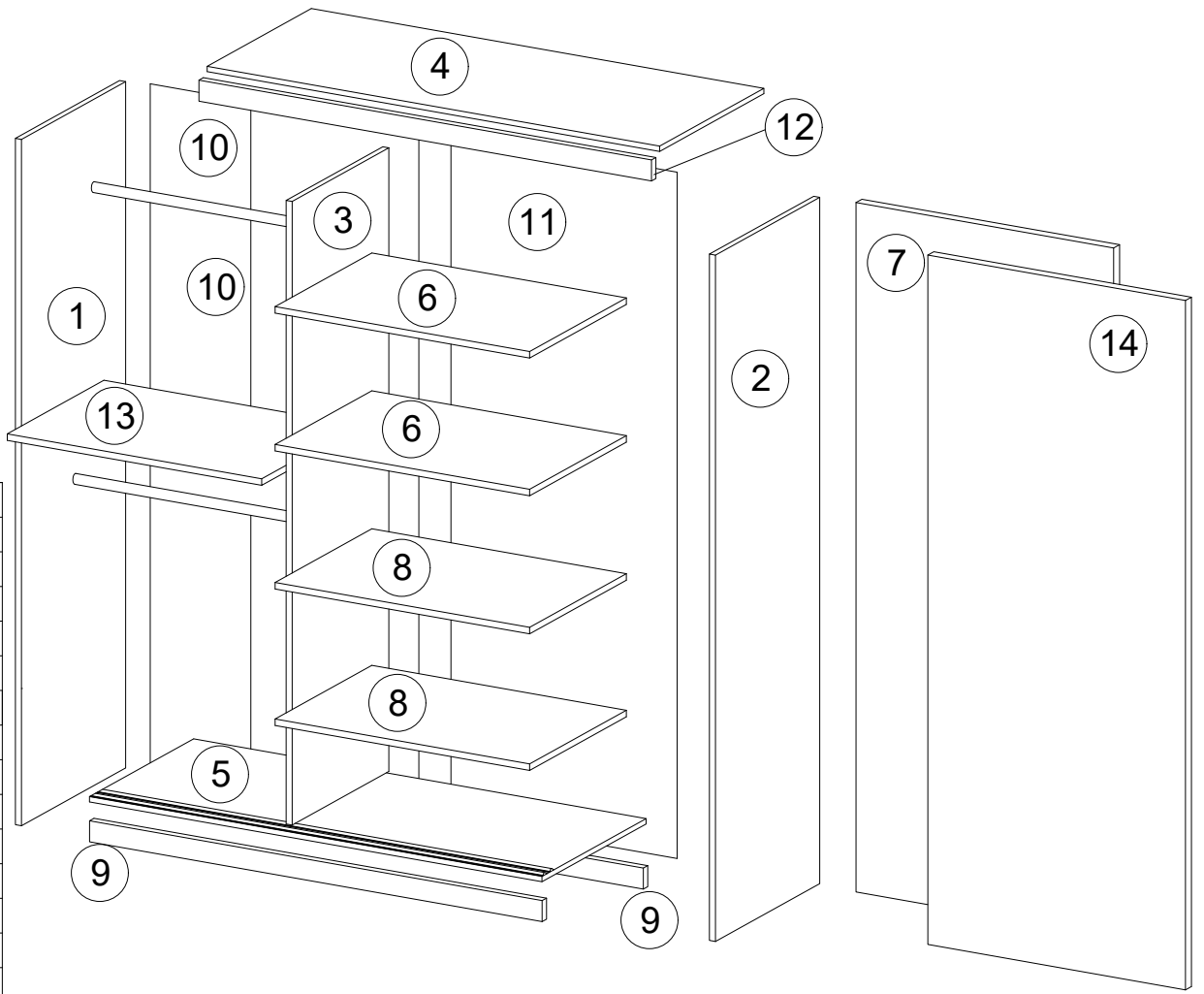
4





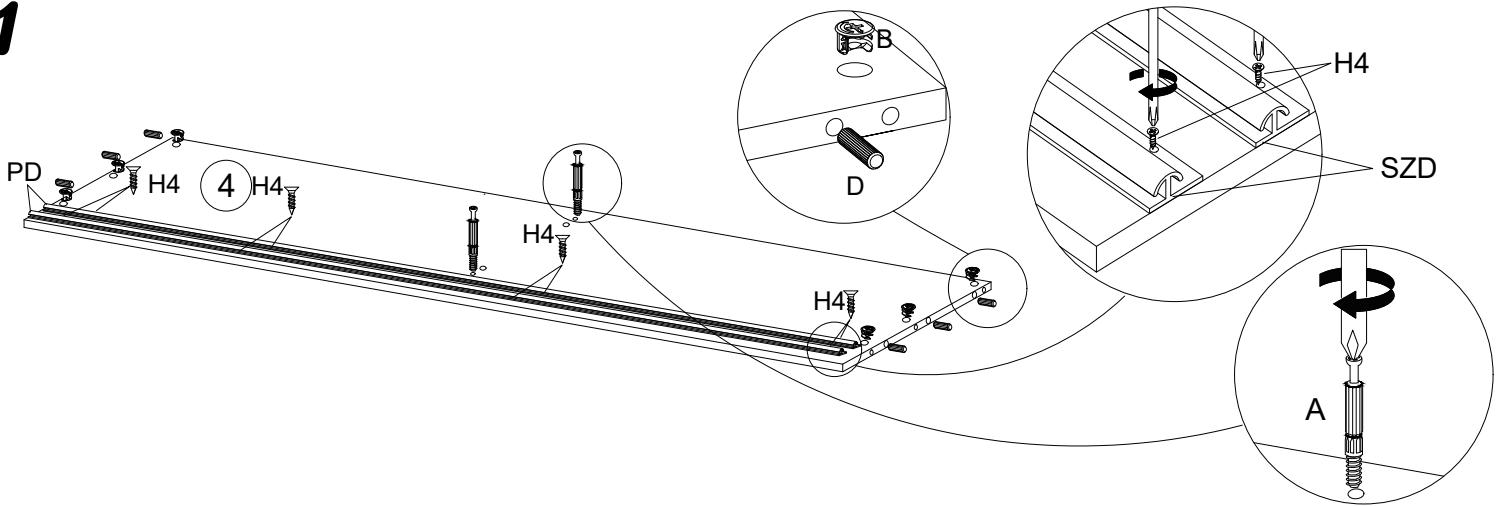
8.0x35  D 16	4.0x25  G 4	 Y 12	 A 28	 B 28	3.5x16  H 24	 V 12	 N 4	 K2 4	 K1 4	 S3 8
 X 20	 F 2	 S 19	 S1 40	 I 30	L-465  V1 2	L-1850  L 1	6.3x13  Q 8	 J 8	 PD 4	3.0x13  H4 16



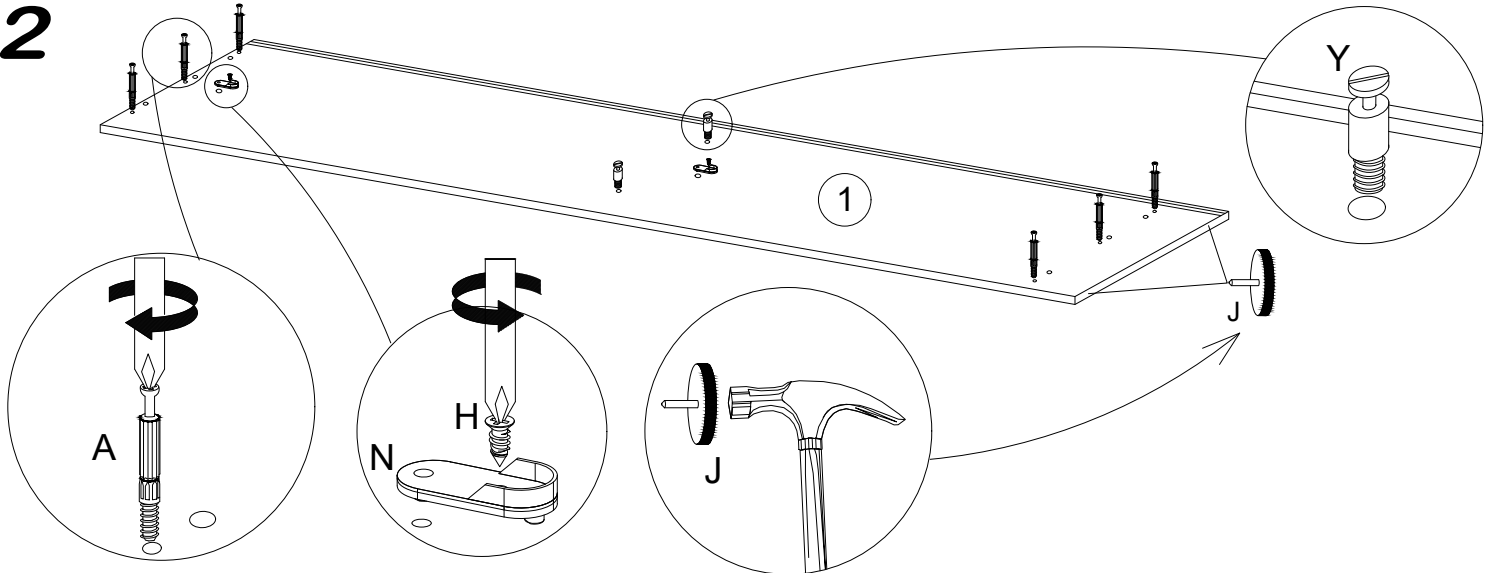


No.	Pcs.	L	W	D
1.	1	2000	620	16
2.	1	2000	620	16
3.	1	1888	480	16
4.	1	1168	582	16
5.	1	1168	600	16
6.	2	475	480	16
7.	1	1873	600	16
8.	2	475	480	16
9.	2	1168	80	16
10.	1	1918	346	3
11.	1	1918	492	3
12.	1	1168	70	16
13.	1	676	480	16
14.	1	1873	600	16

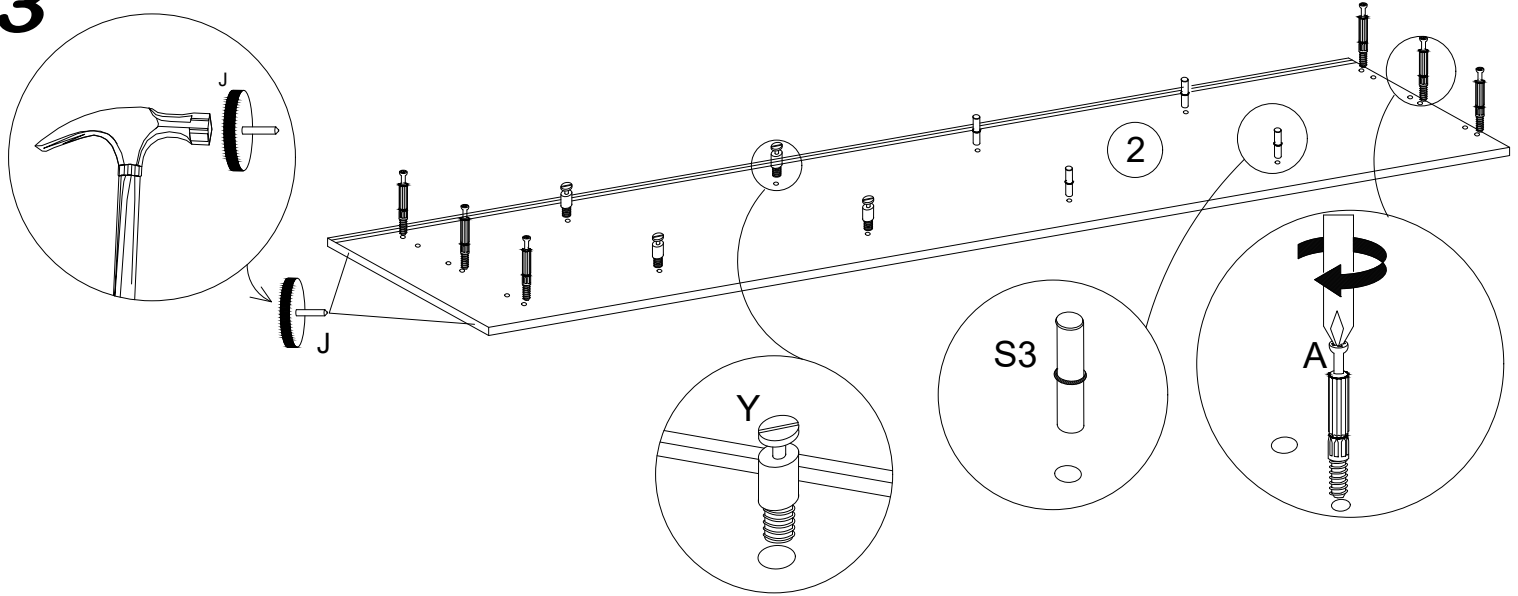
1



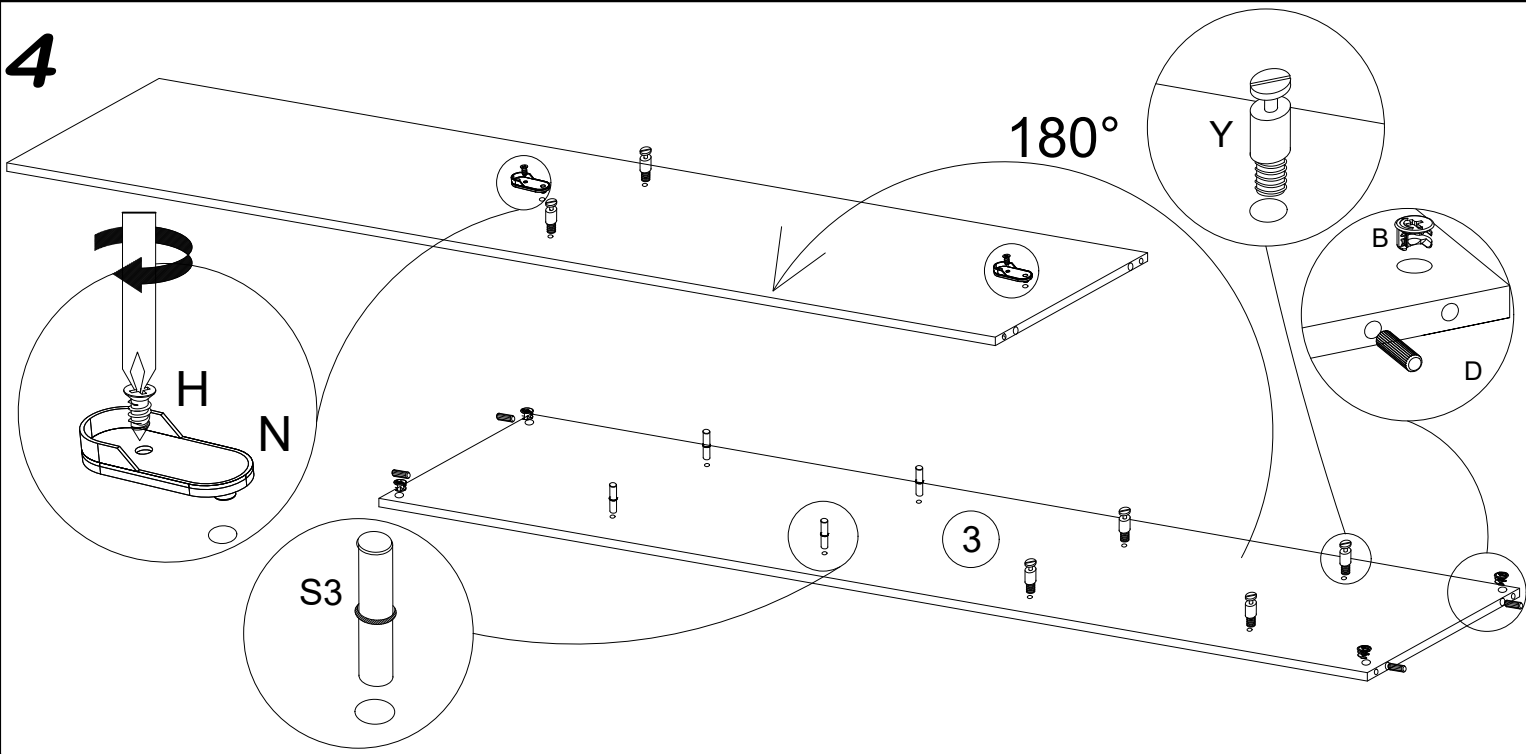
2



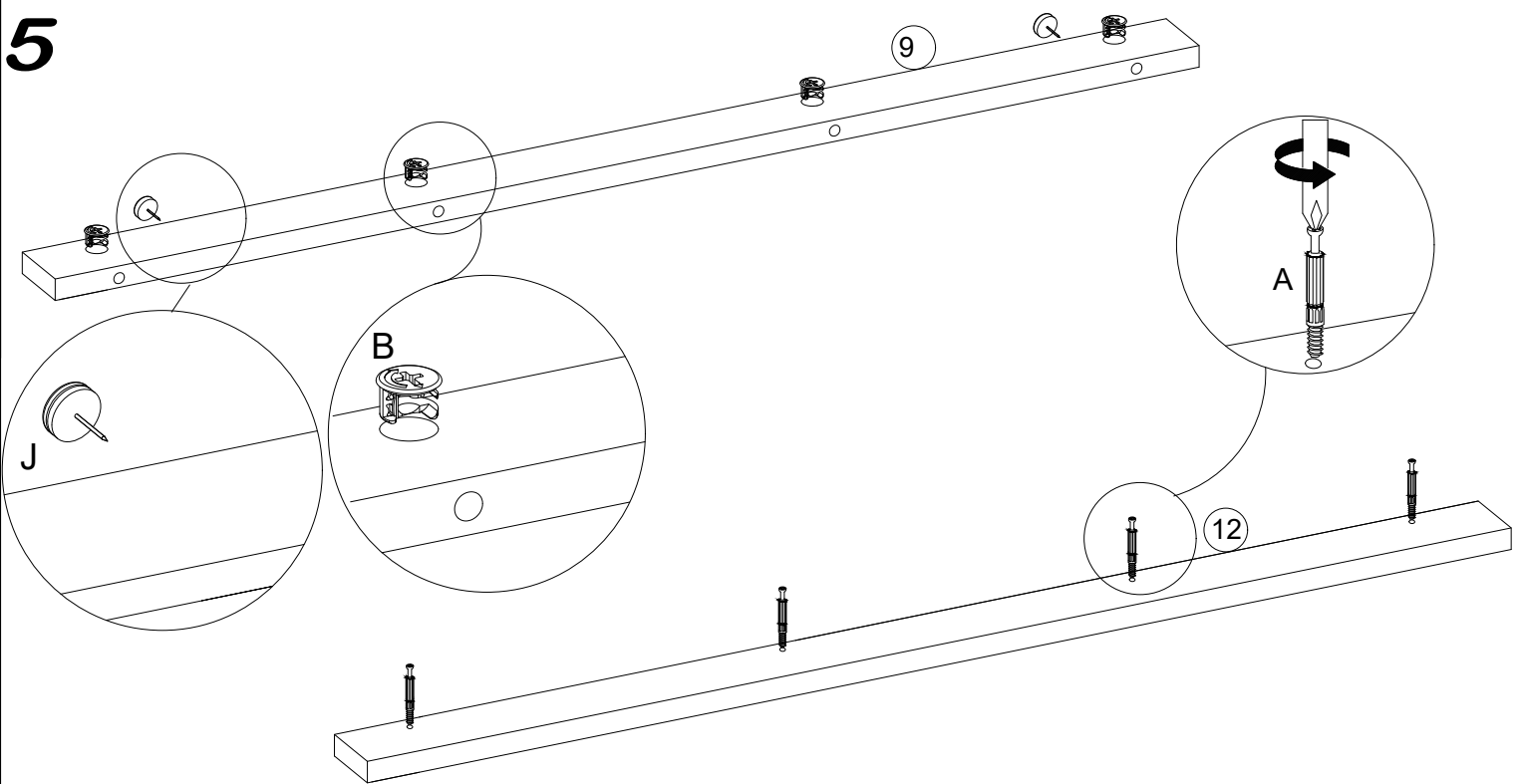
3



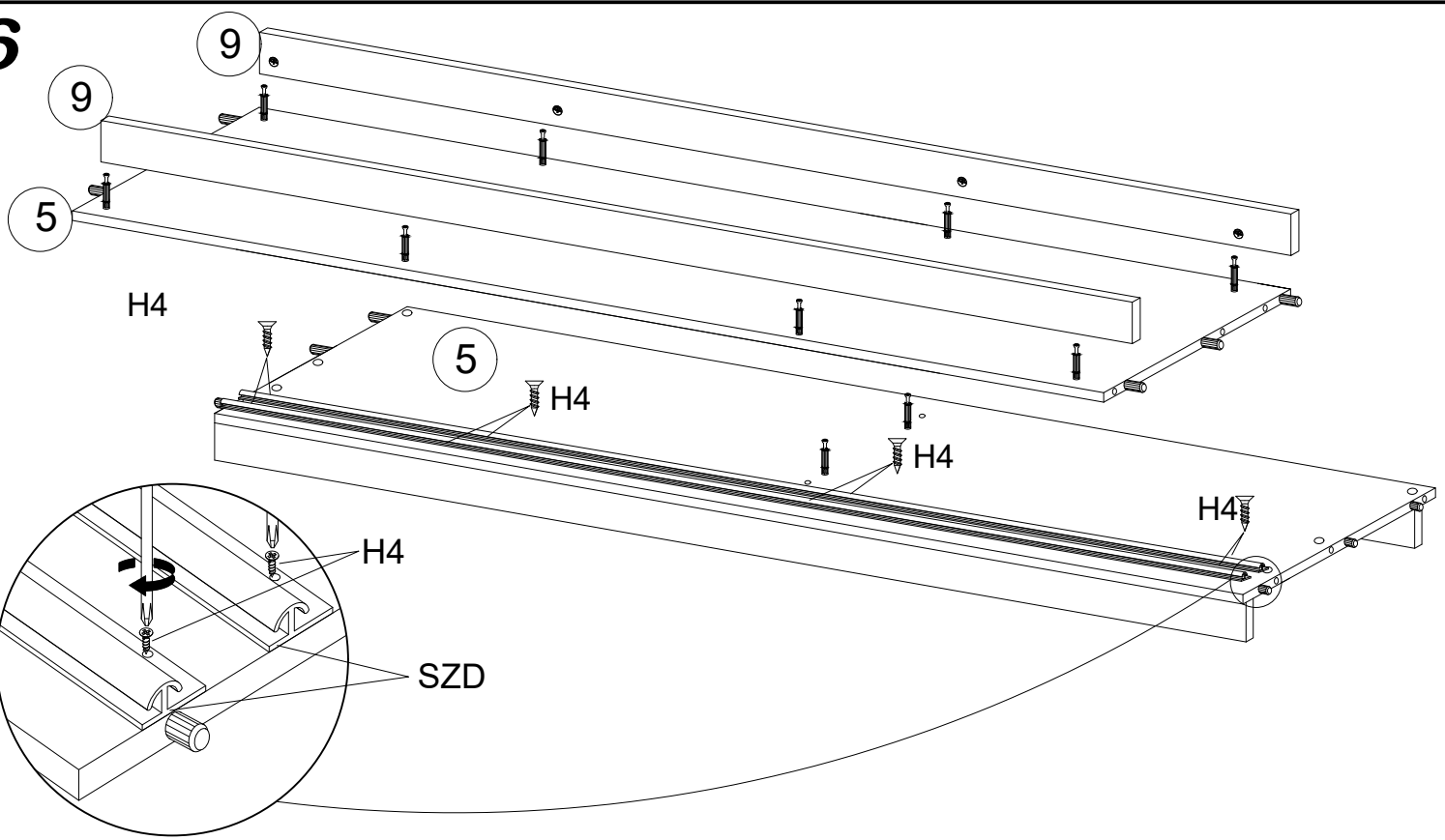
4



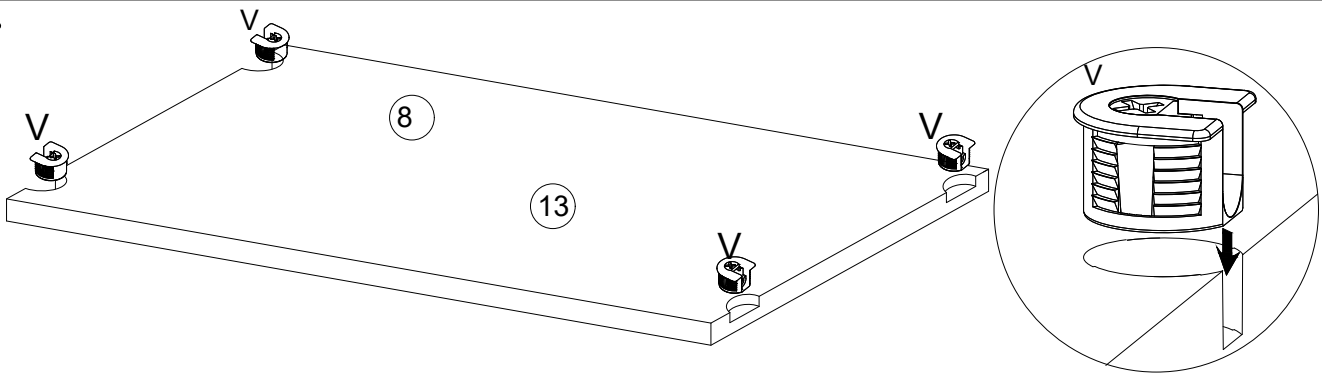
5



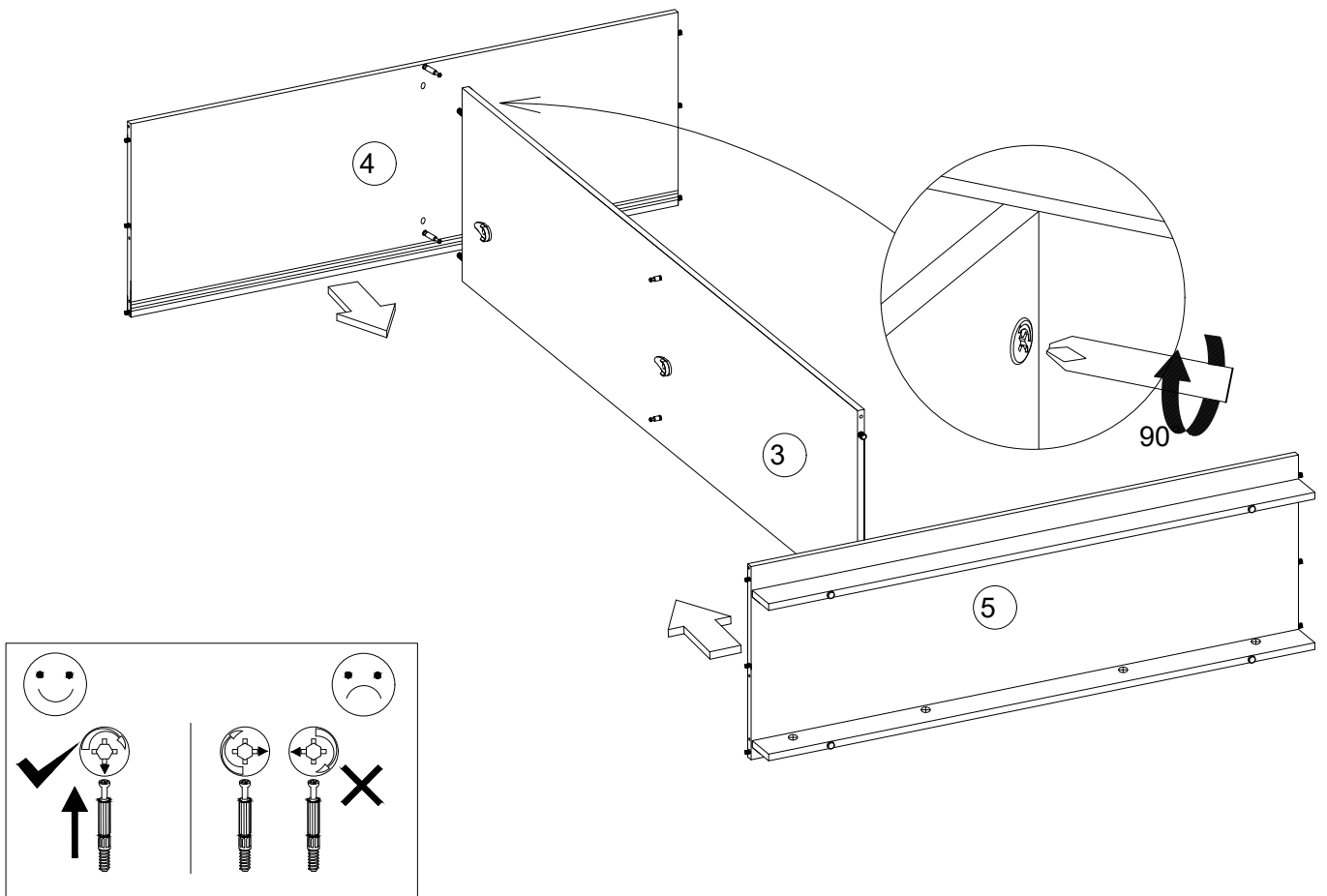
6



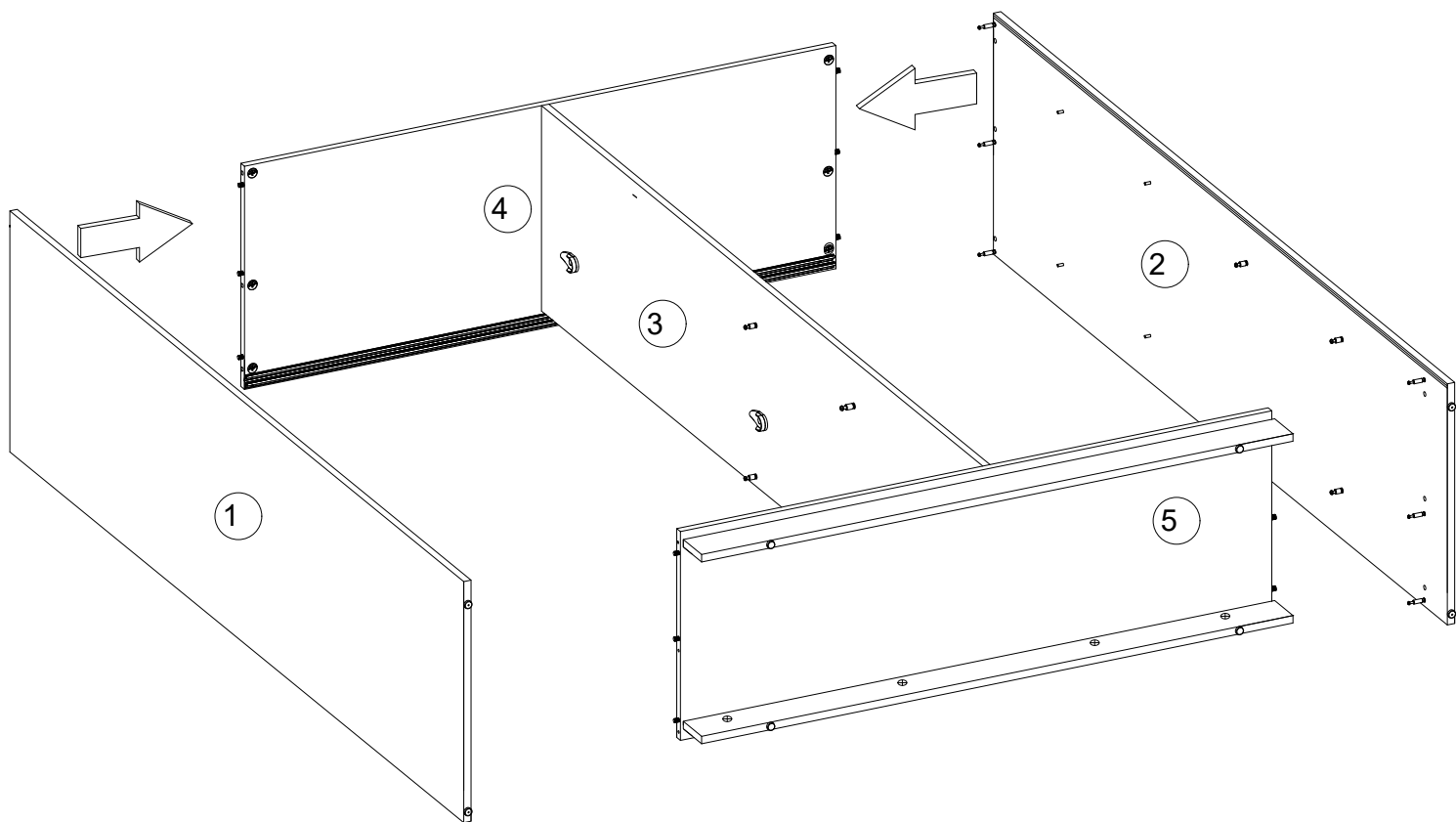
7



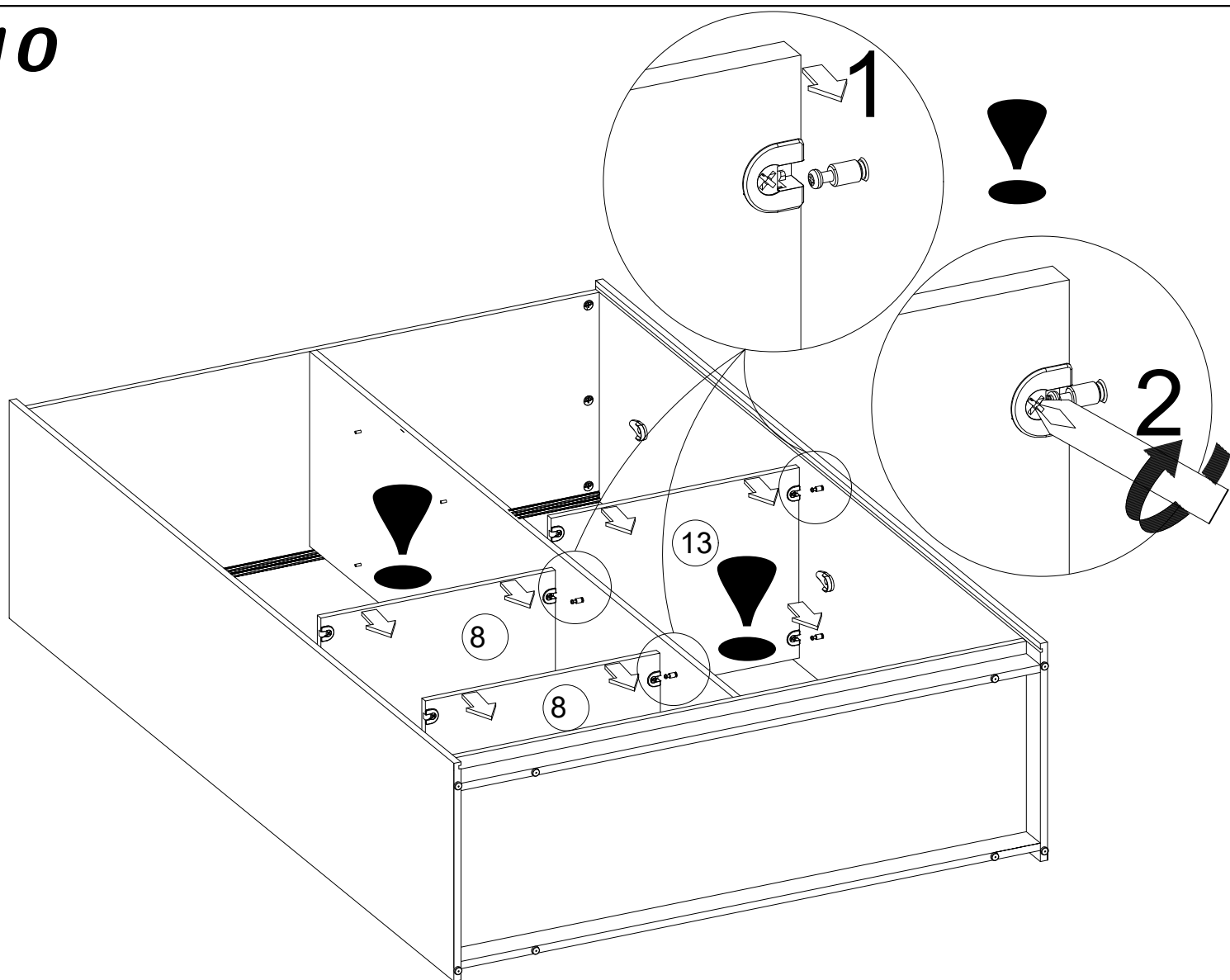
8



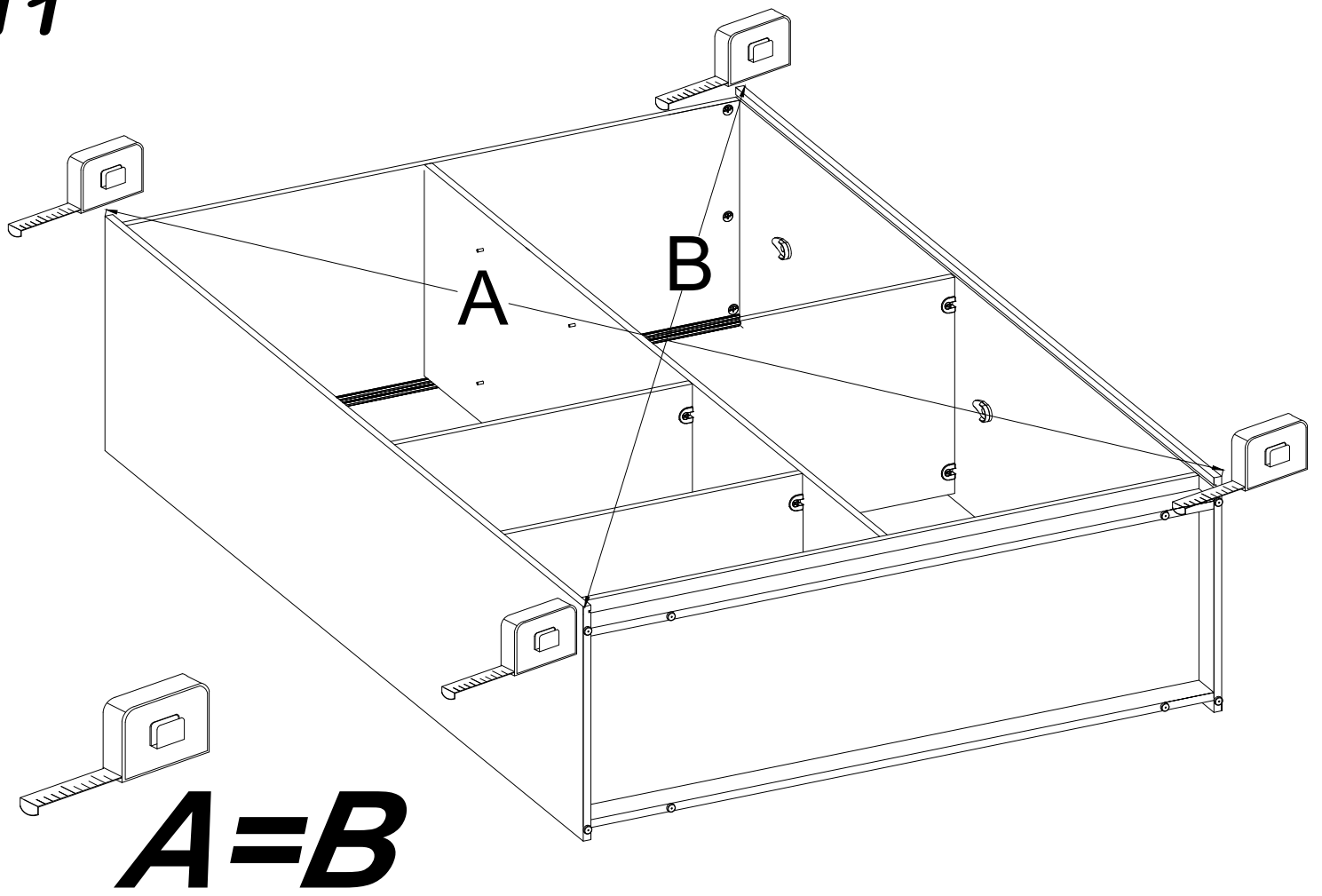
9



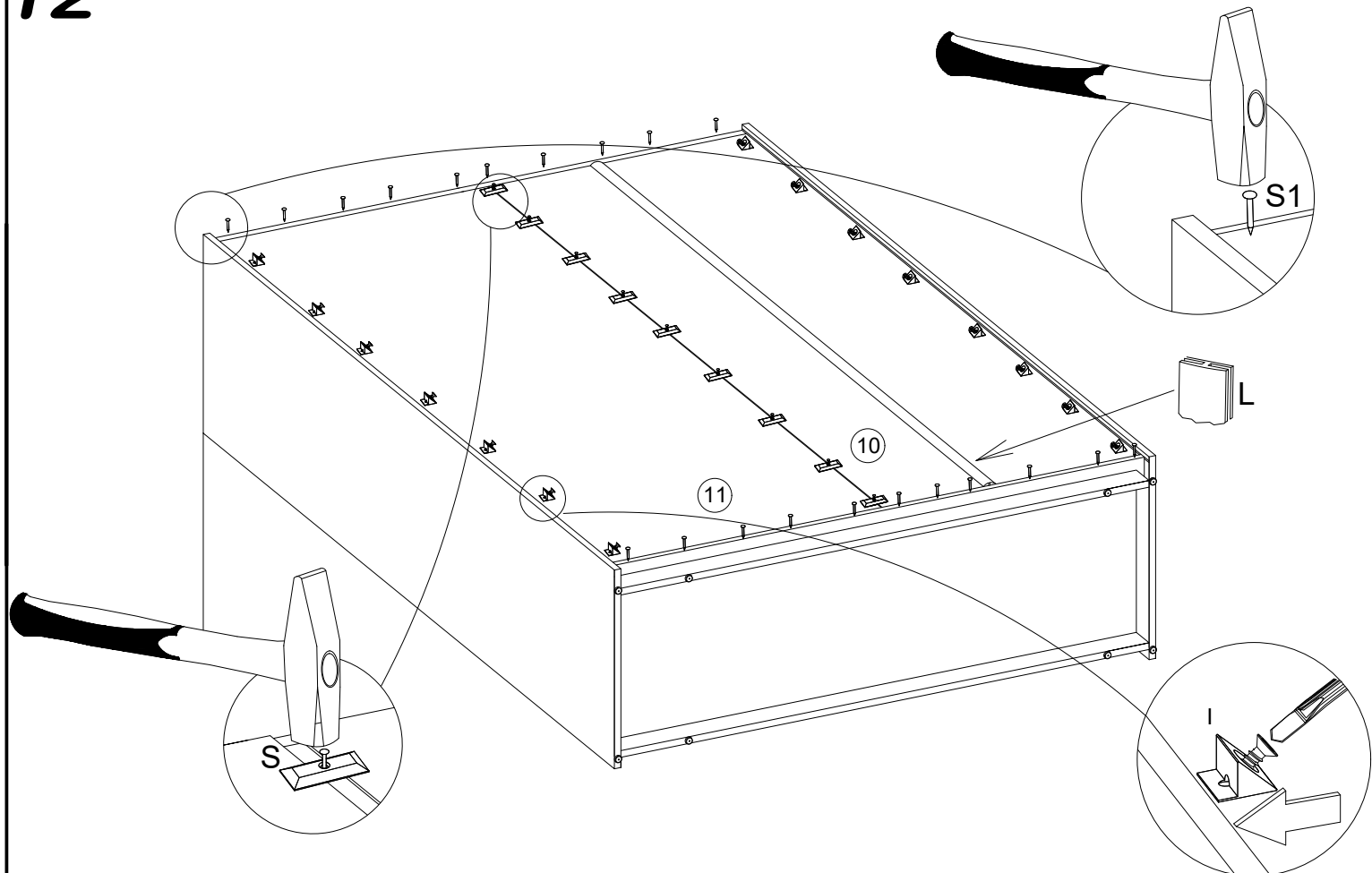
10



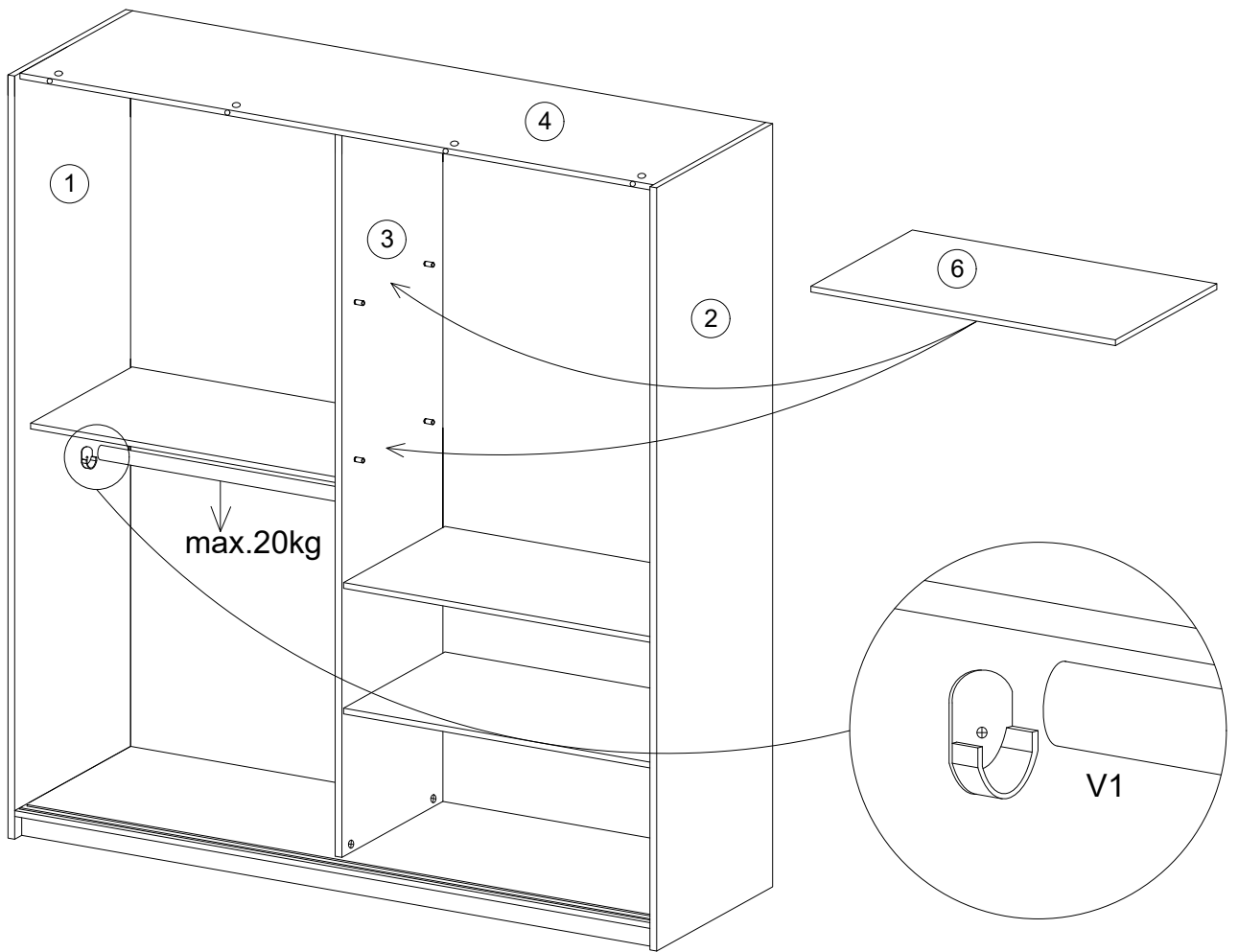
11



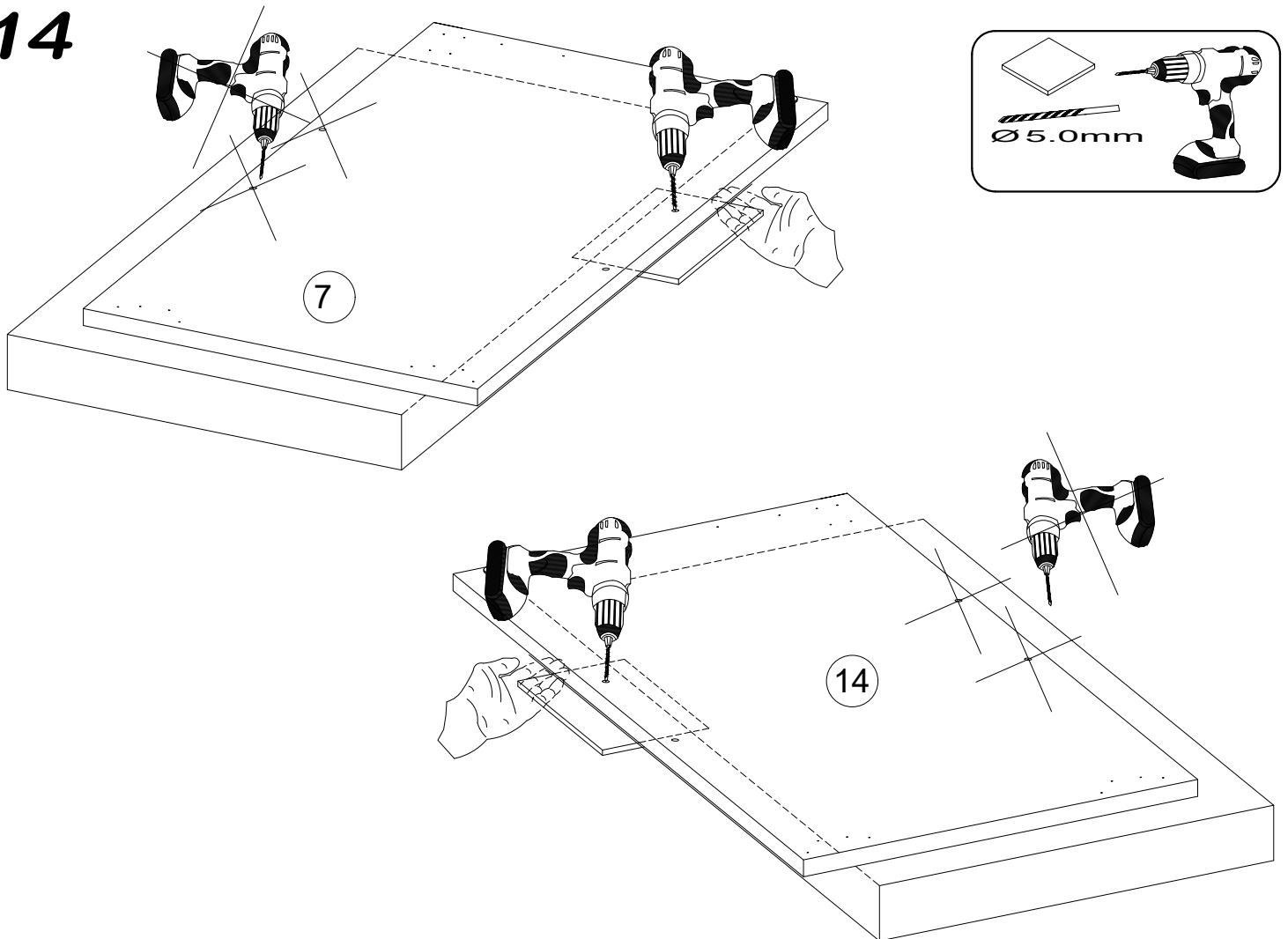
12



13

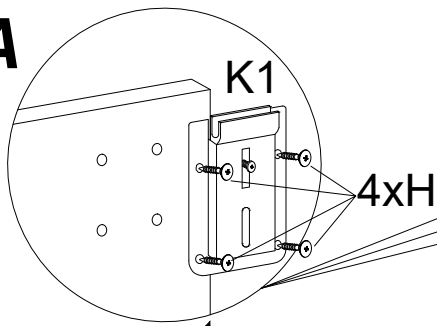


14

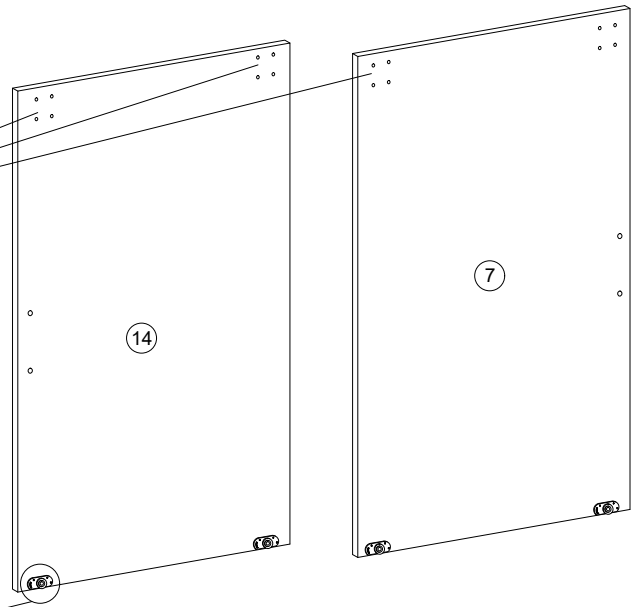
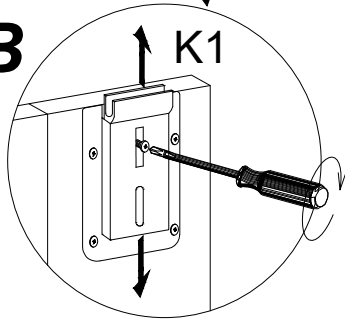


15

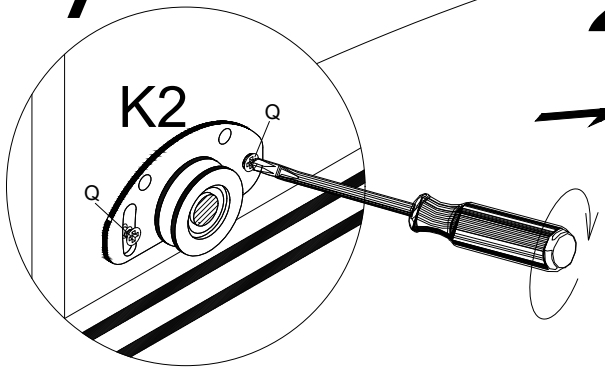
A



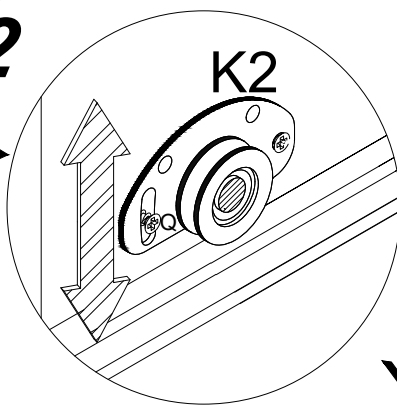
B



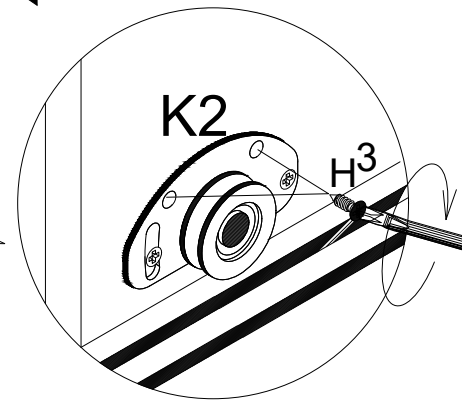
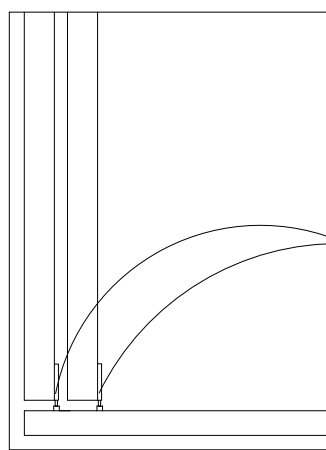
1



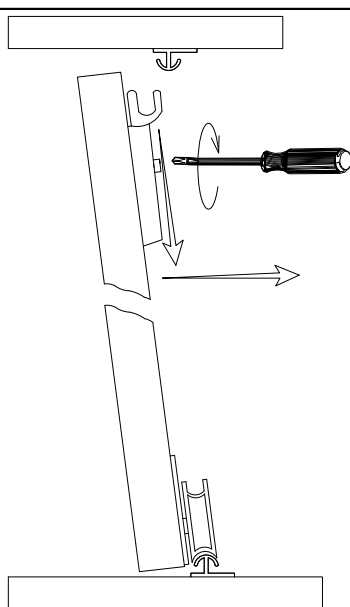
2



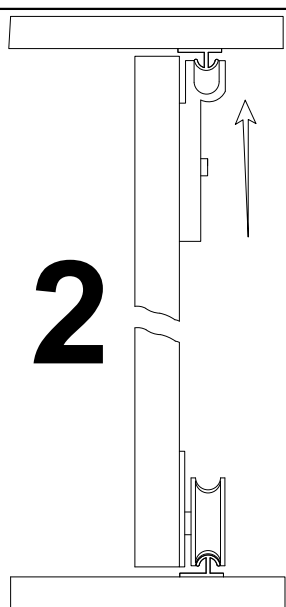
3



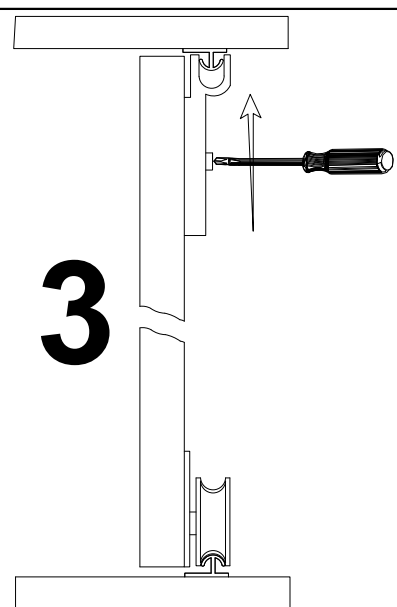
1



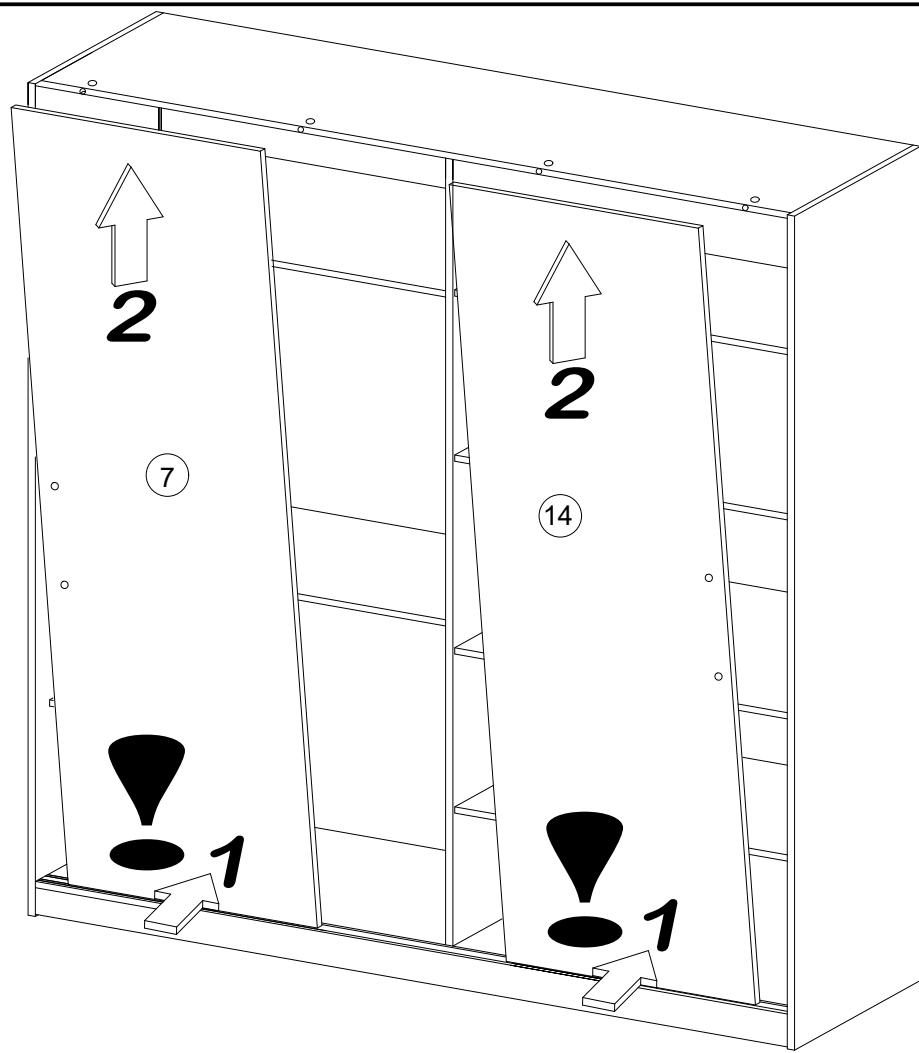
2



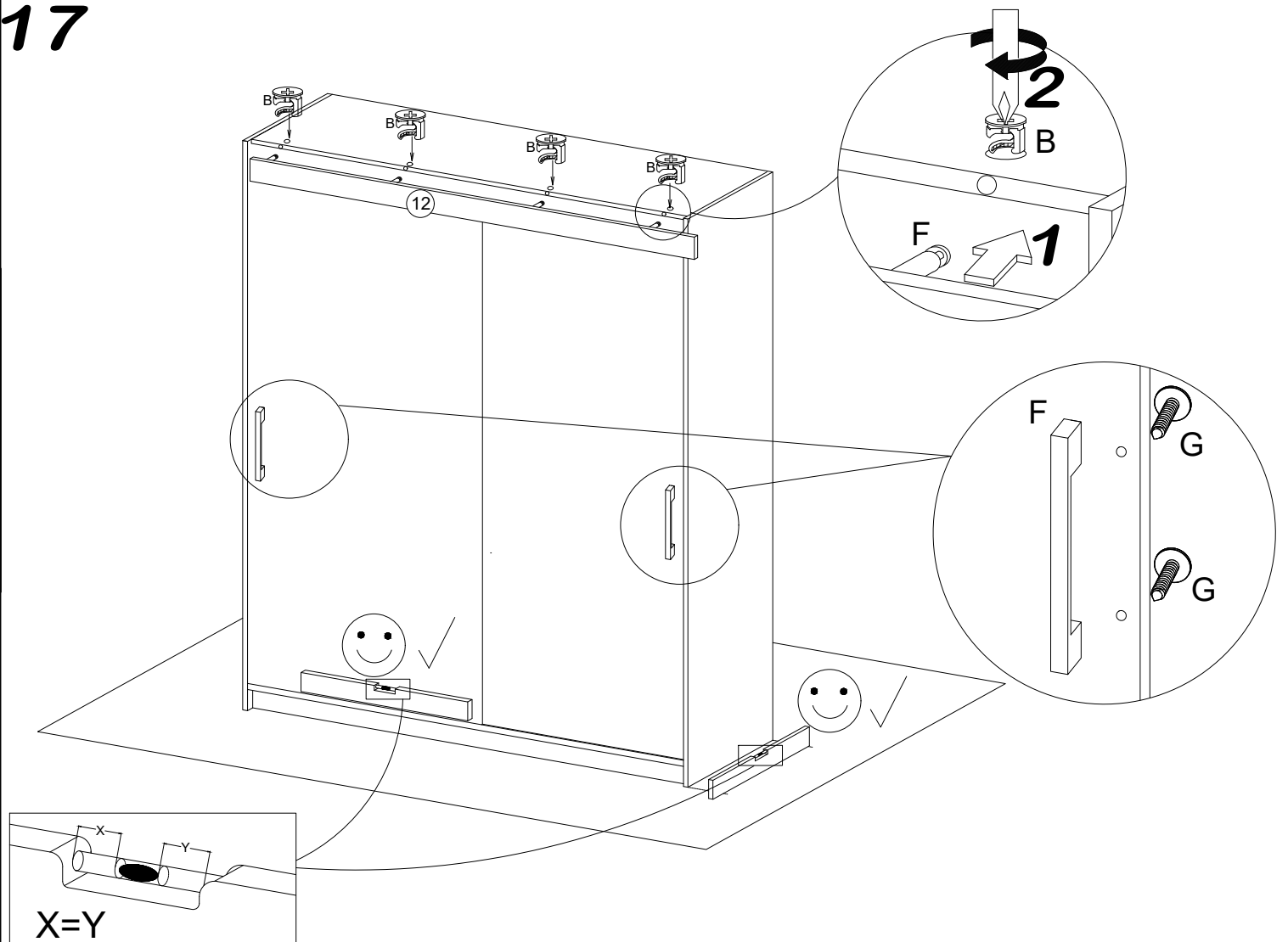
3



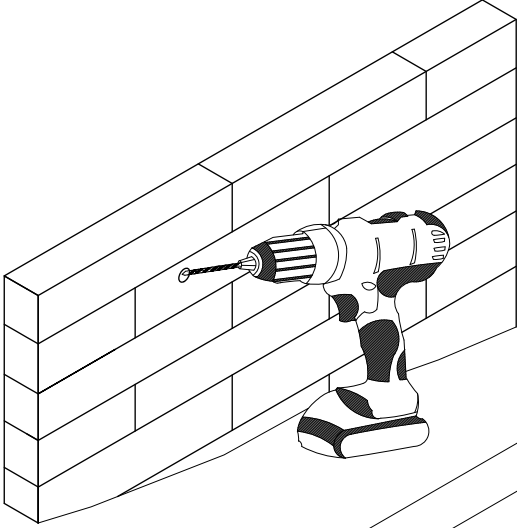
16





17

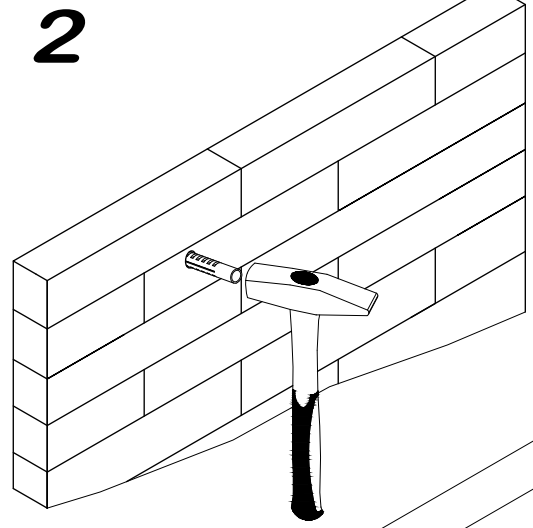


1

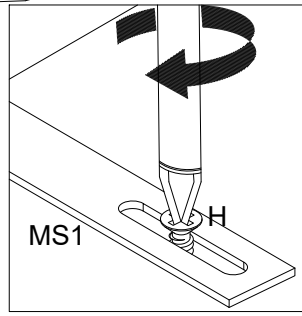
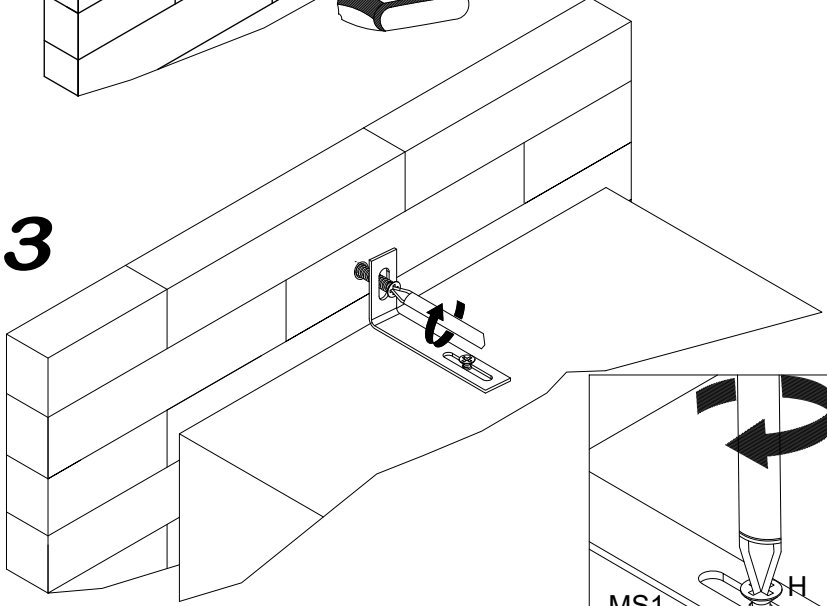


3.5x16	
	
H	MS1
1	1

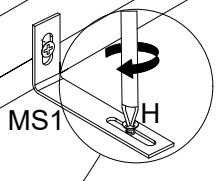
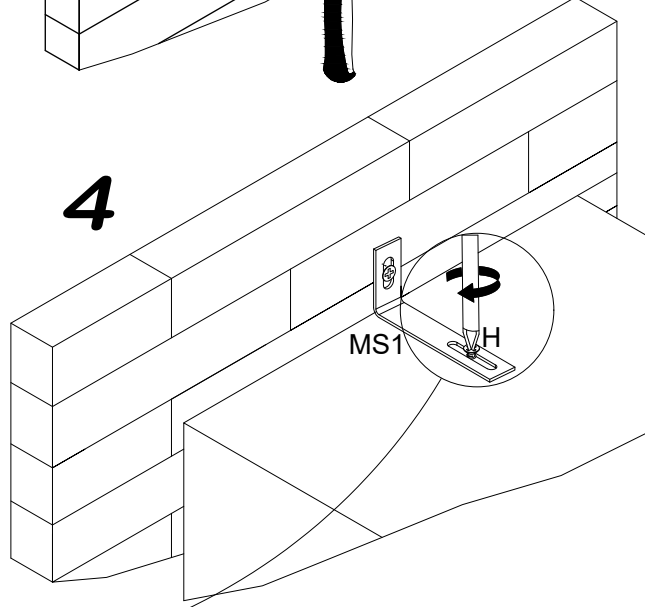
2

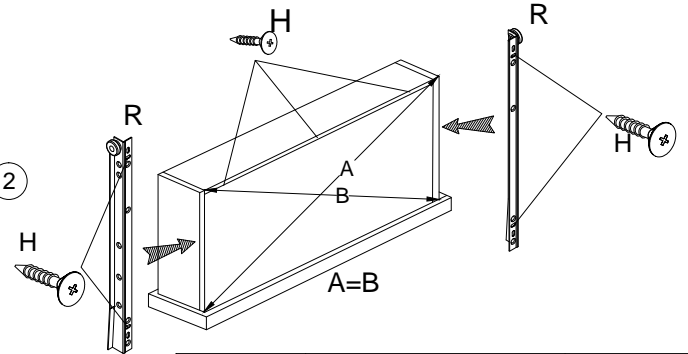
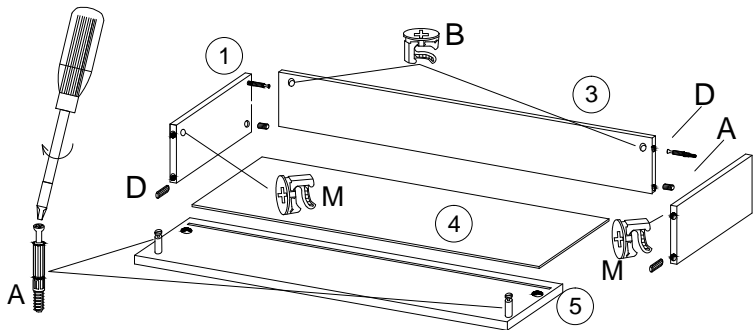
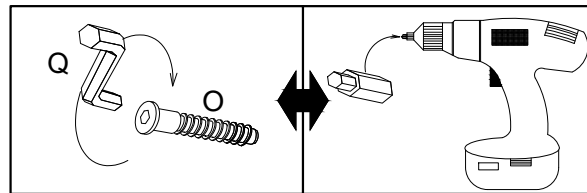
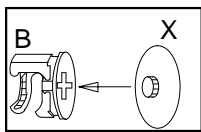
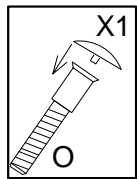
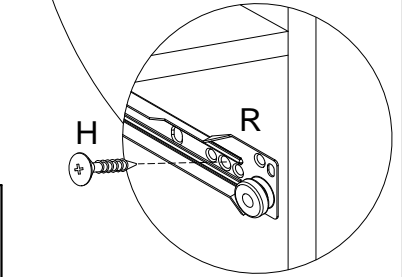
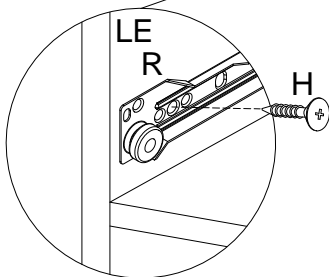
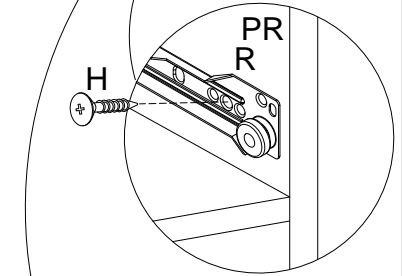
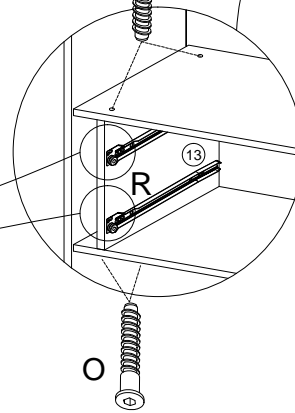
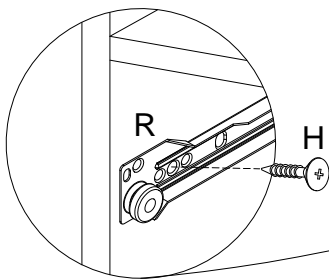
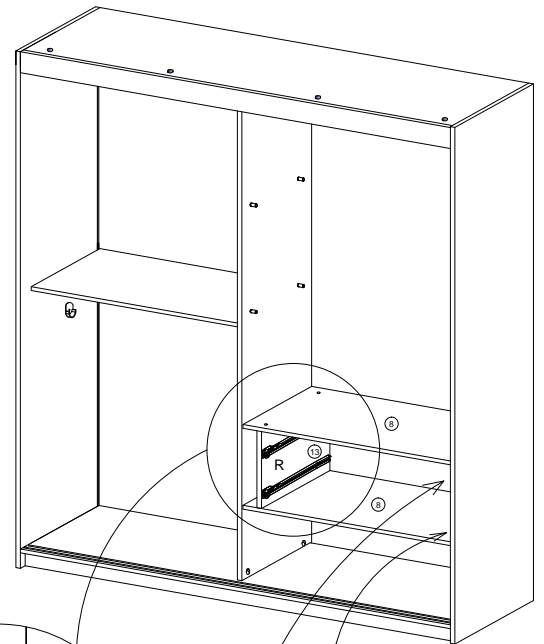
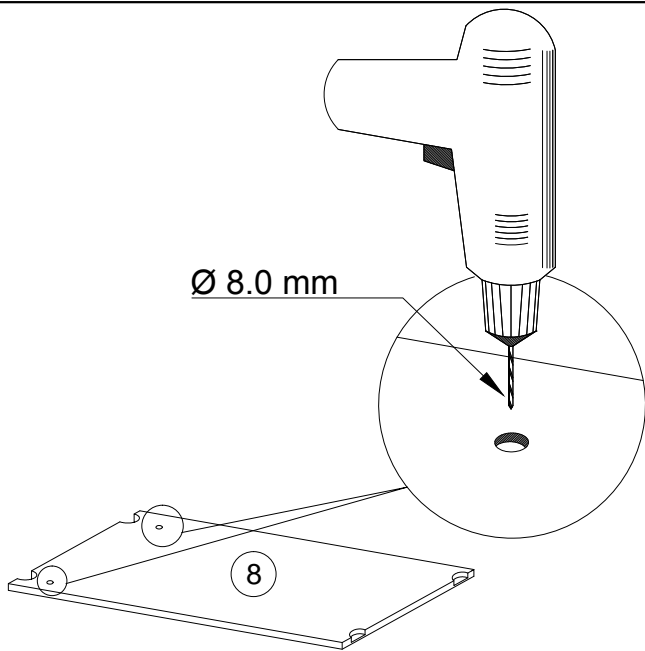


3



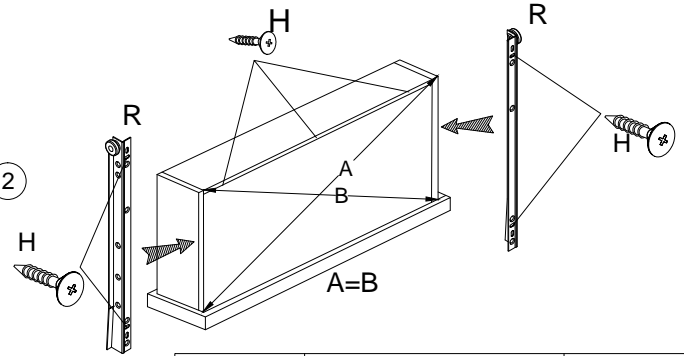
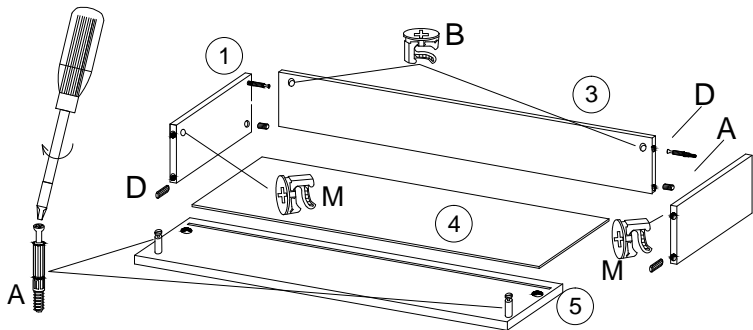
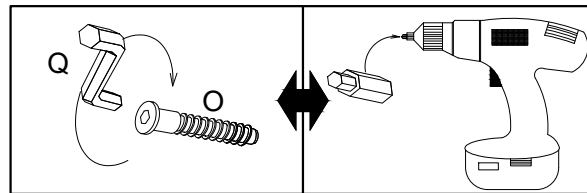
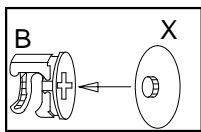
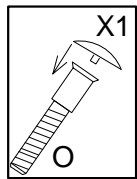
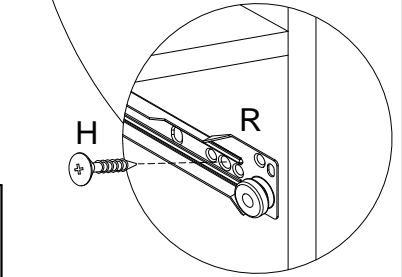
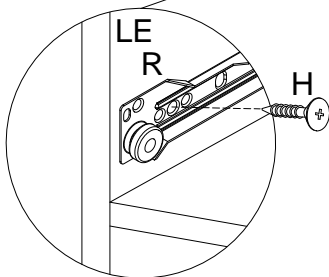
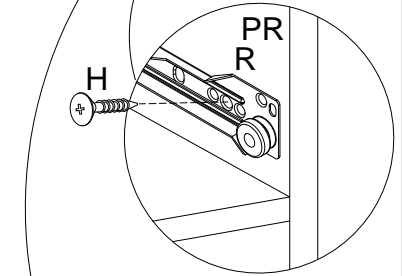
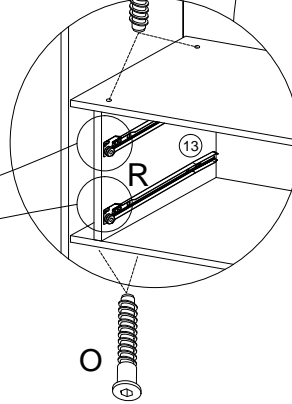
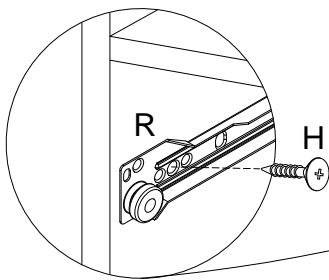
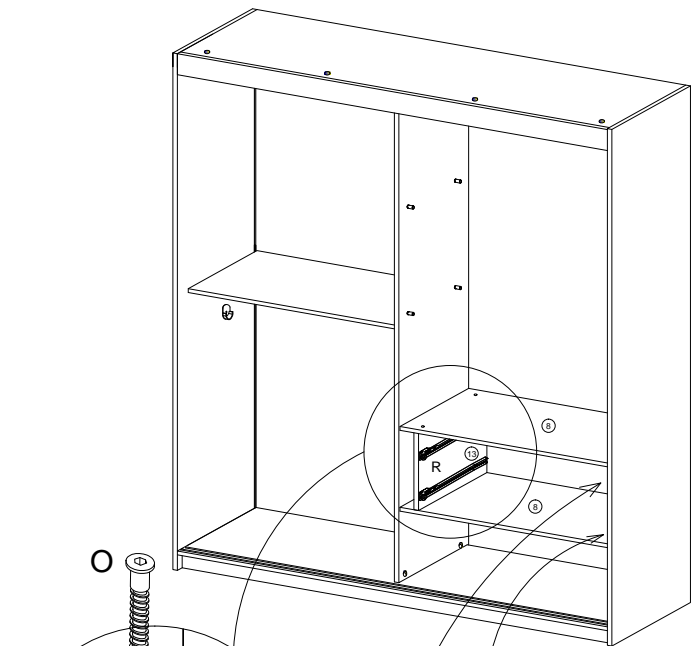
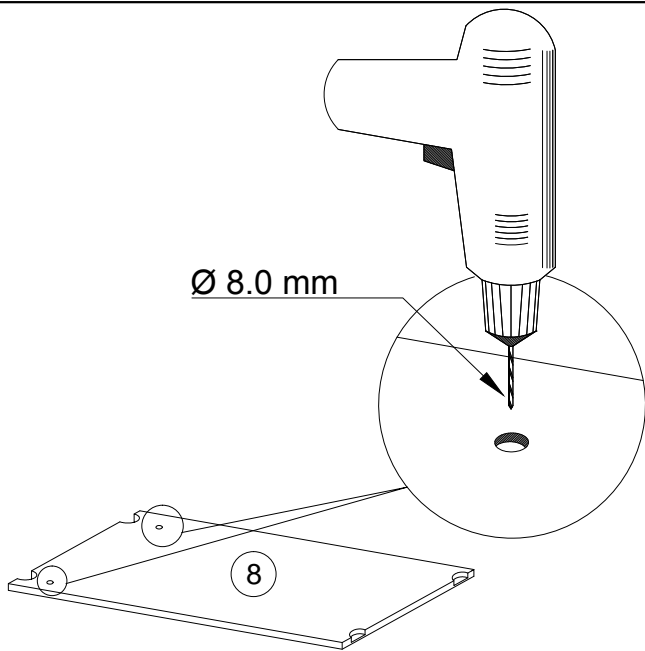
4





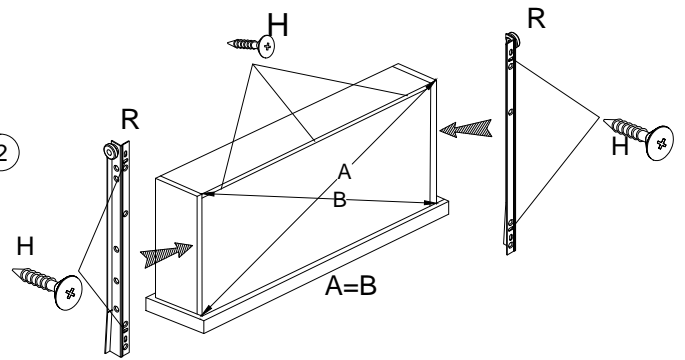
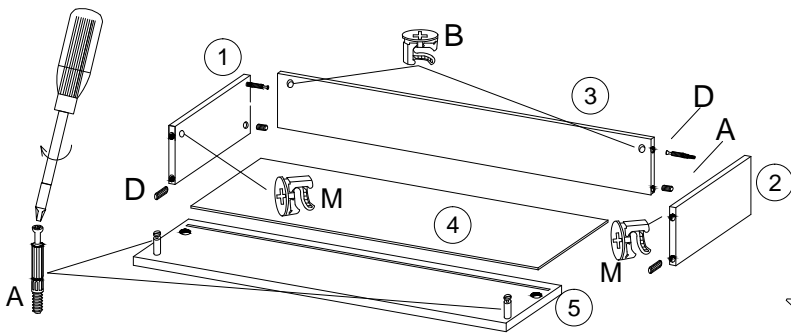
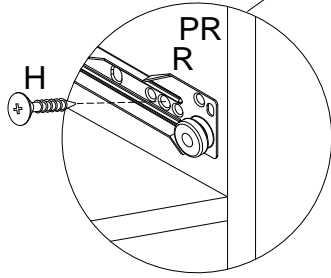
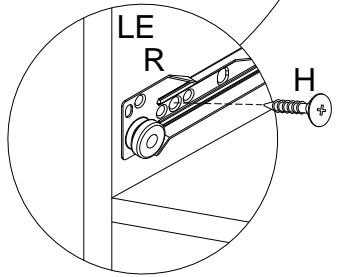
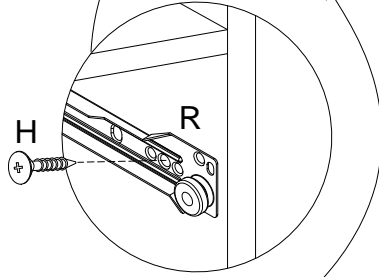
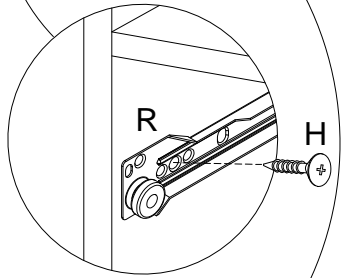
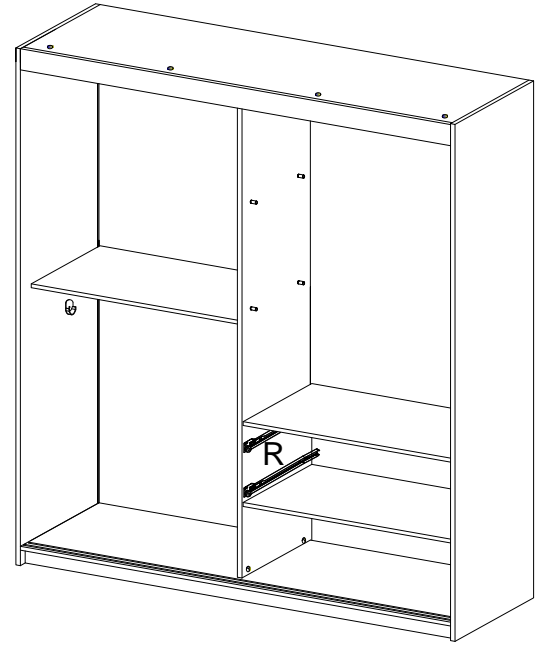
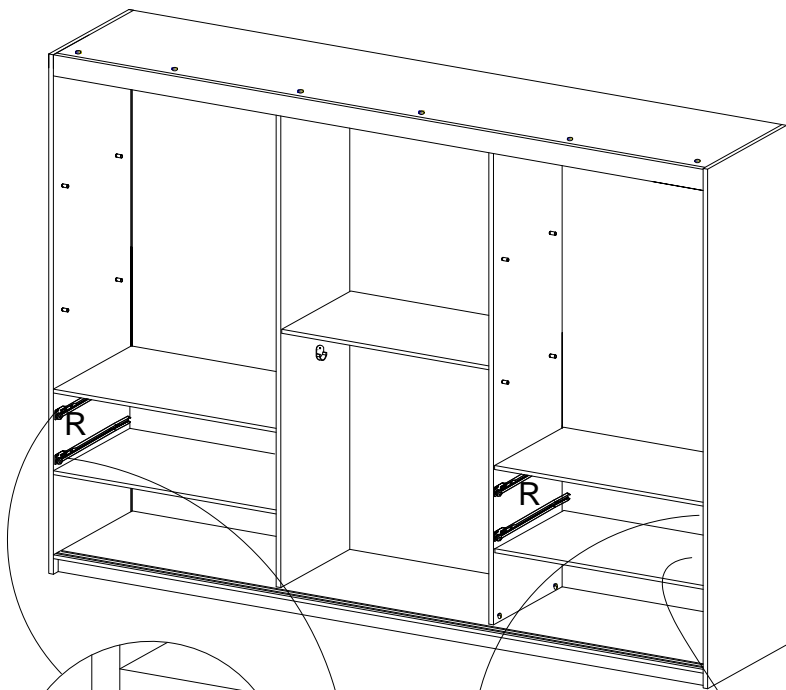
	L-450mm 	3.5x16
X1	R	H
4	2	24

Q	O	X	A	M	D
1	4	8	8	8	8



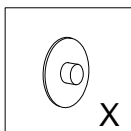
	L-450mm 	3.5x16
X1	R	H
4	2	24

Q	O	X	A	M	D
1	4	8	8	8	8



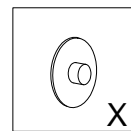
No.	Pcs.	L	W	D
1.	2	450	110	16
2.	2	450	110	16
3.	2	418	110	16
4.	2	453	446	3
5.	2	160	468	16

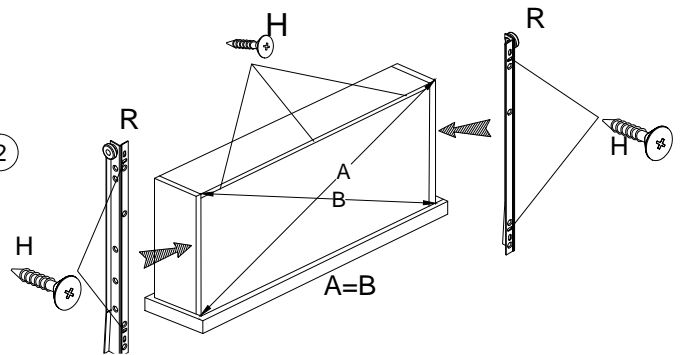
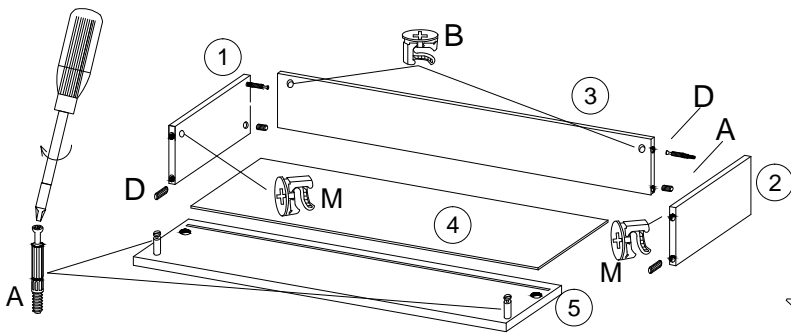
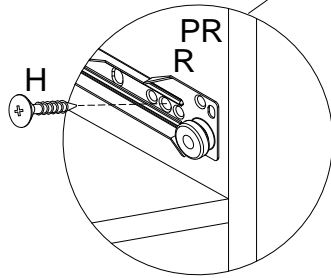
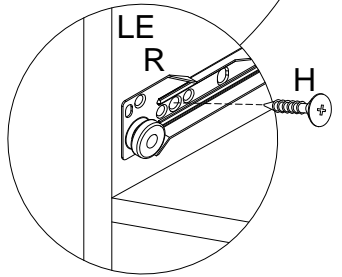
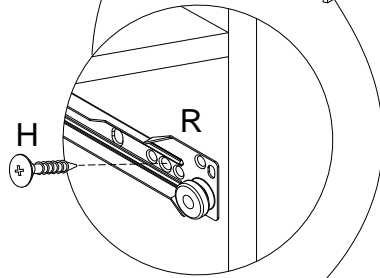
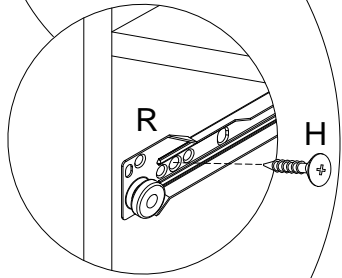
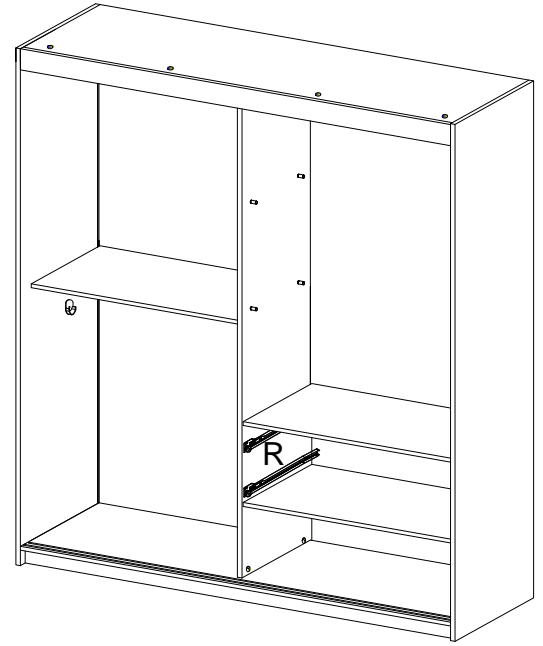
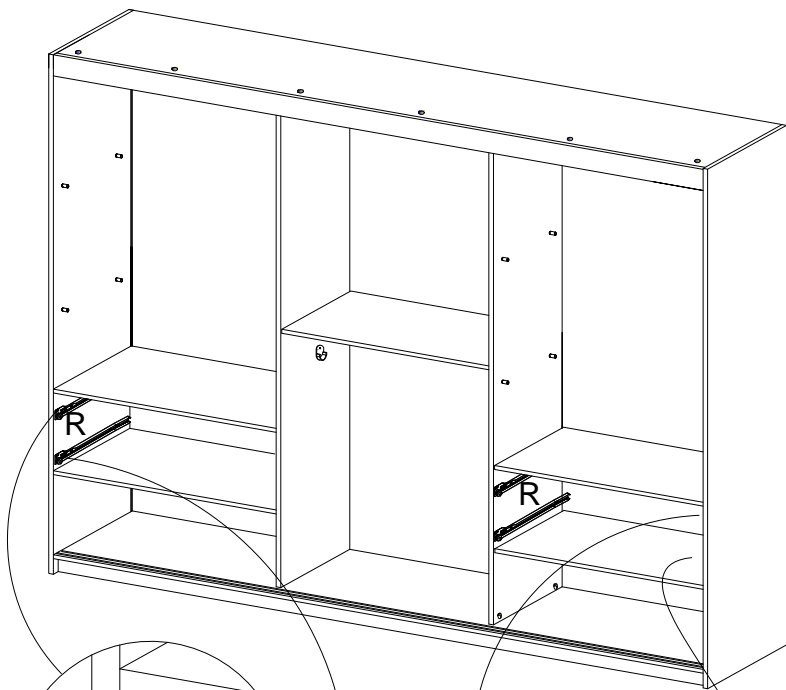
L-450mm		3.5x16
	R	
2		24
8	8	8



No.	Pcs.	L	W	D
1.	2	450	110	16
2.	2	450	110	16
3.	2	610	110	16
4.	2	453	638	16
5.	2	160	660	16

L-450mm		3.5x16
	R	
2		24
8	8	8





No.	Pcs.	L	W	D
1.	2	450	110	16
2.	2	450	110	16
3.	2	418	110	16
4.	2	453	446	3
5.	2	160	468	16

L-450mm		3.5x16
2	R	H
2		24
8	A	M
8		D
8		

No.	Pcs.	L	W	D
1.	2	450	110	16
2.	2	450	110	16
3.	2	610	110	16
4.	2	453	638	16
5.	2	160	660	16

L-450mm		3.5x16
2	R	H
2		24
8	A	M
8		D
8		

