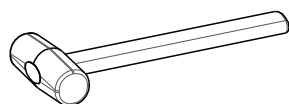
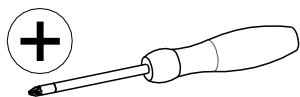
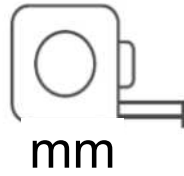
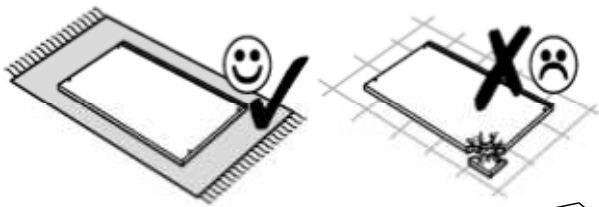
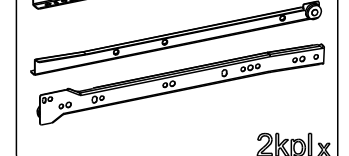
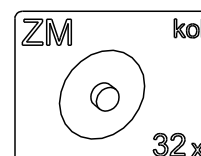
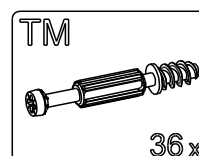
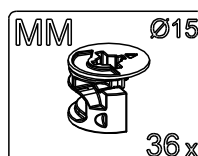
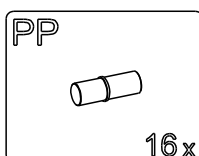
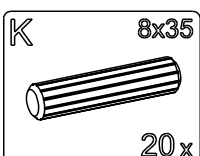
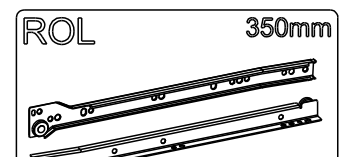
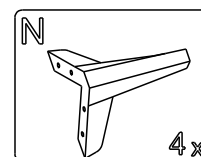
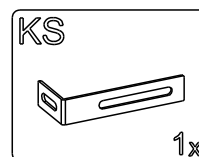
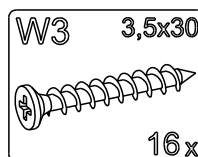
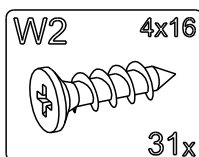
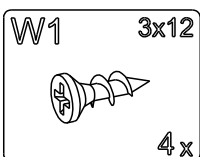
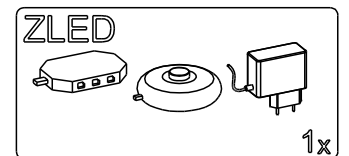
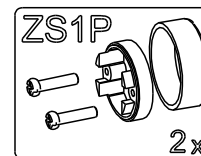
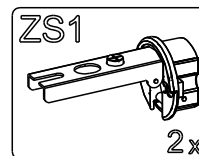
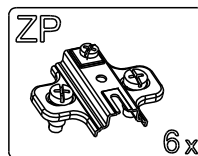
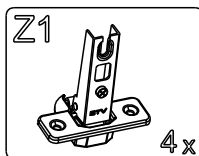
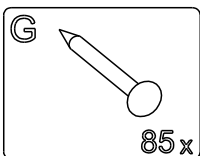
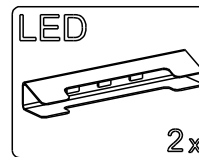
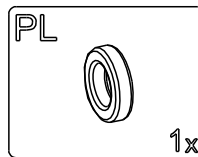
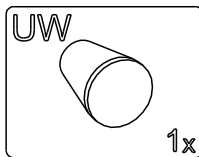
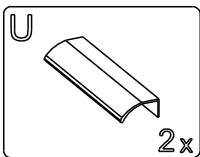
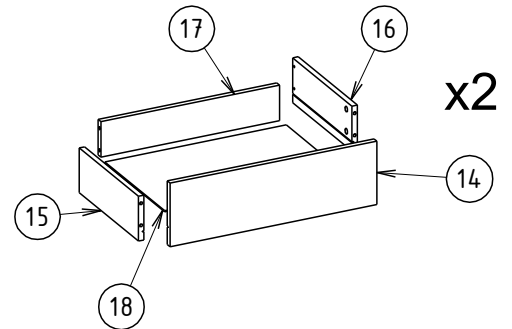
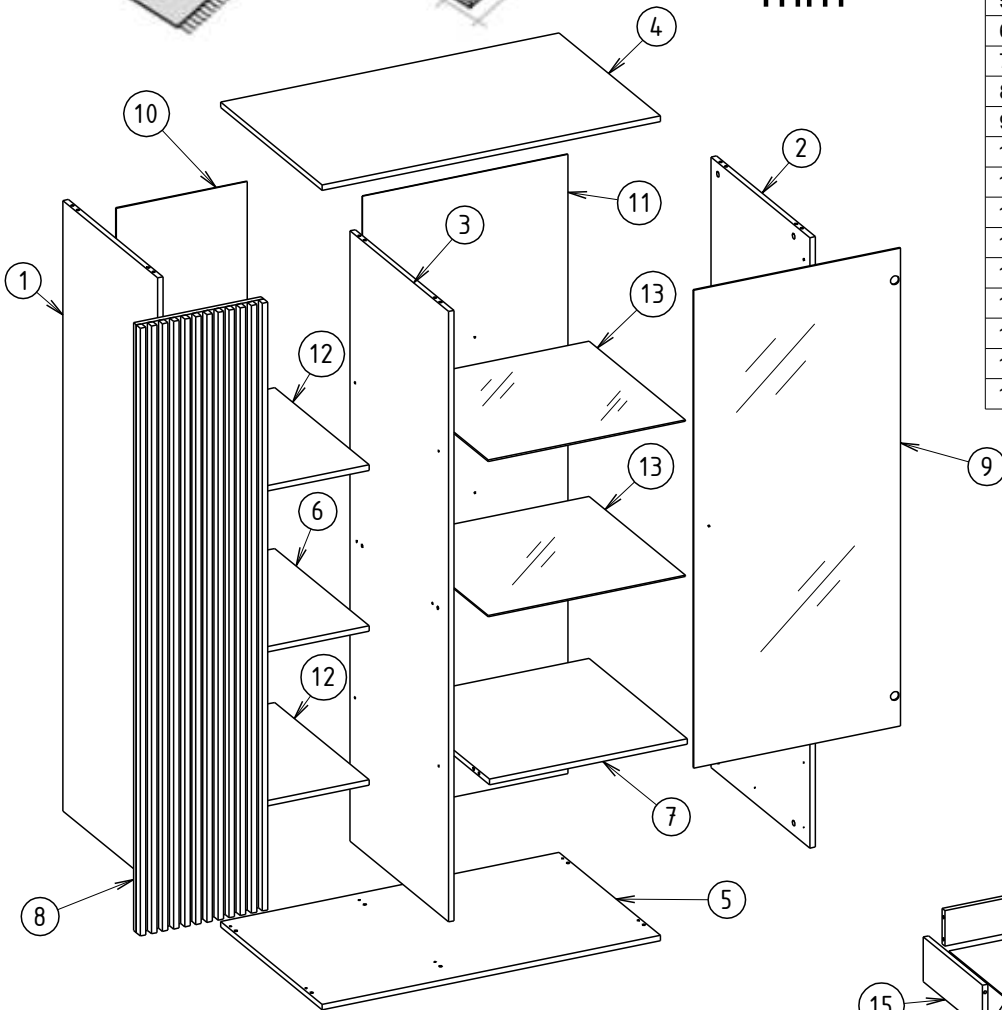


120min

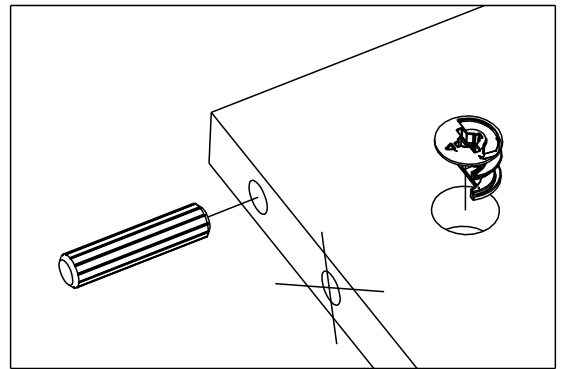
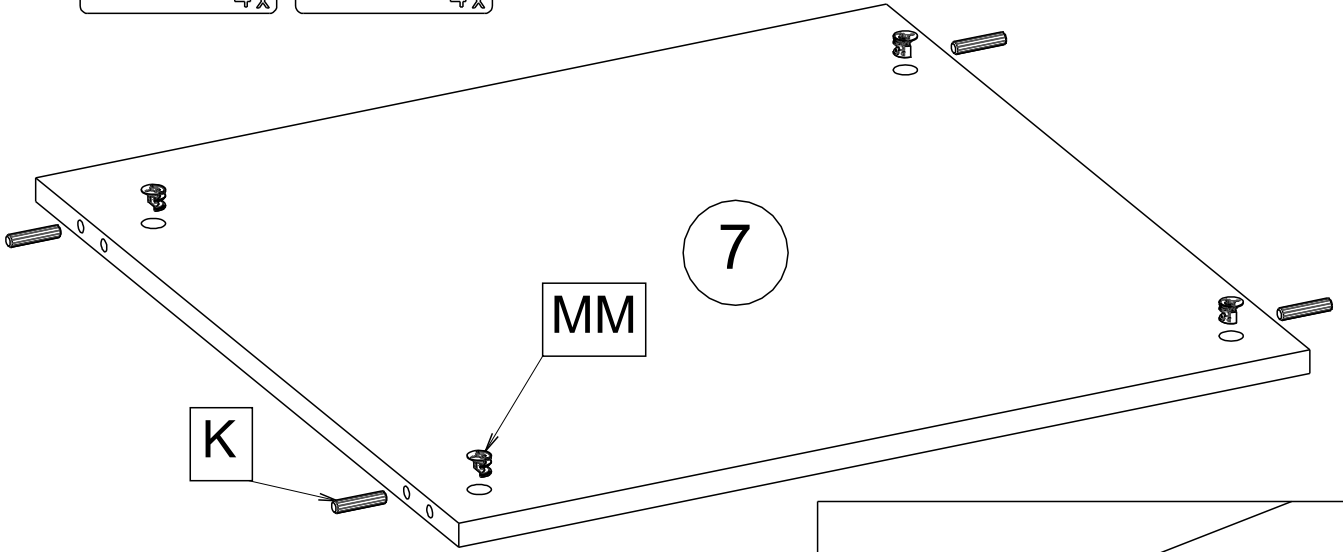
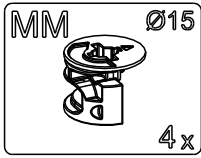
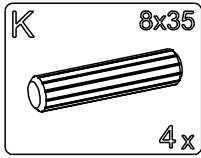




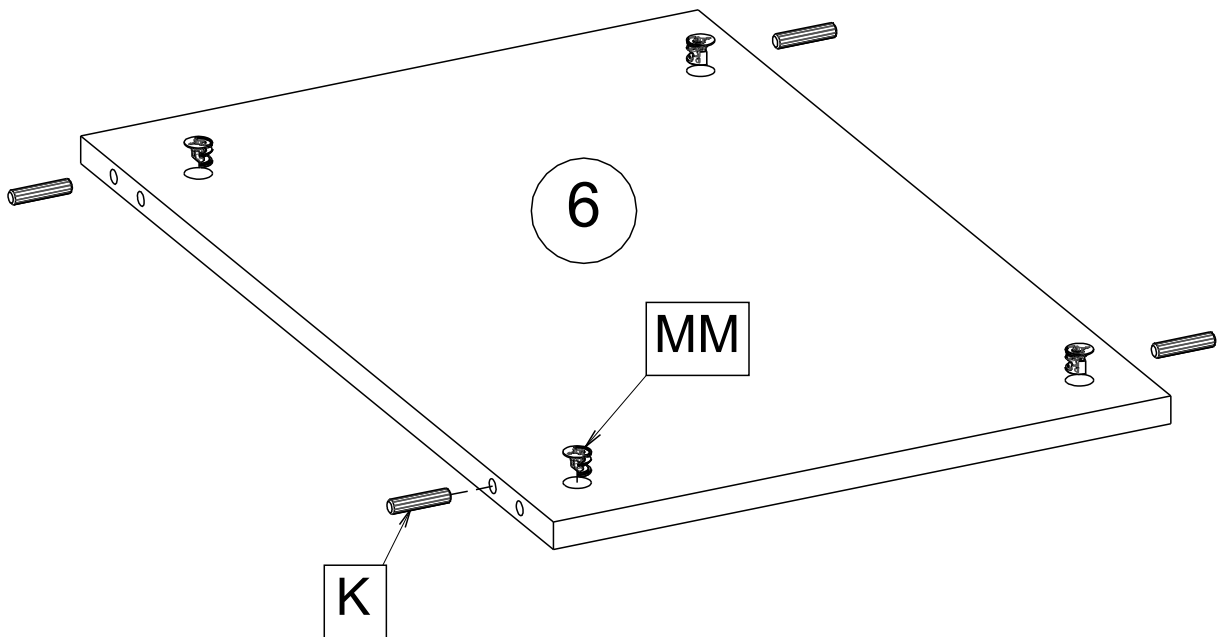
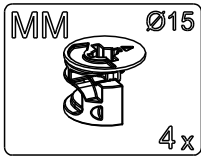
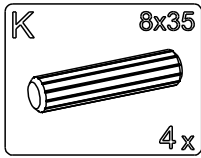
NR	il	Dł [mm]	Sz [mm]	Gr [mm]
1	1	1768	559	16
2	1	1768	584	16
3	1	1768	584	16
4	1	1000	600	16
5	1	1000	600	16
6	1	365	559	16
7	1	585	582	16
8	1	1760	377	16
9	1	1384	611	4
10	1	1794	387	3
11	1	1794	607	3
12	2	559	365	16
13	2	570	583	4
14	2	611	184	16
15	2	350	130	16
16	2	350	130	16
17	2	528	103	16
18	2	536	353	3



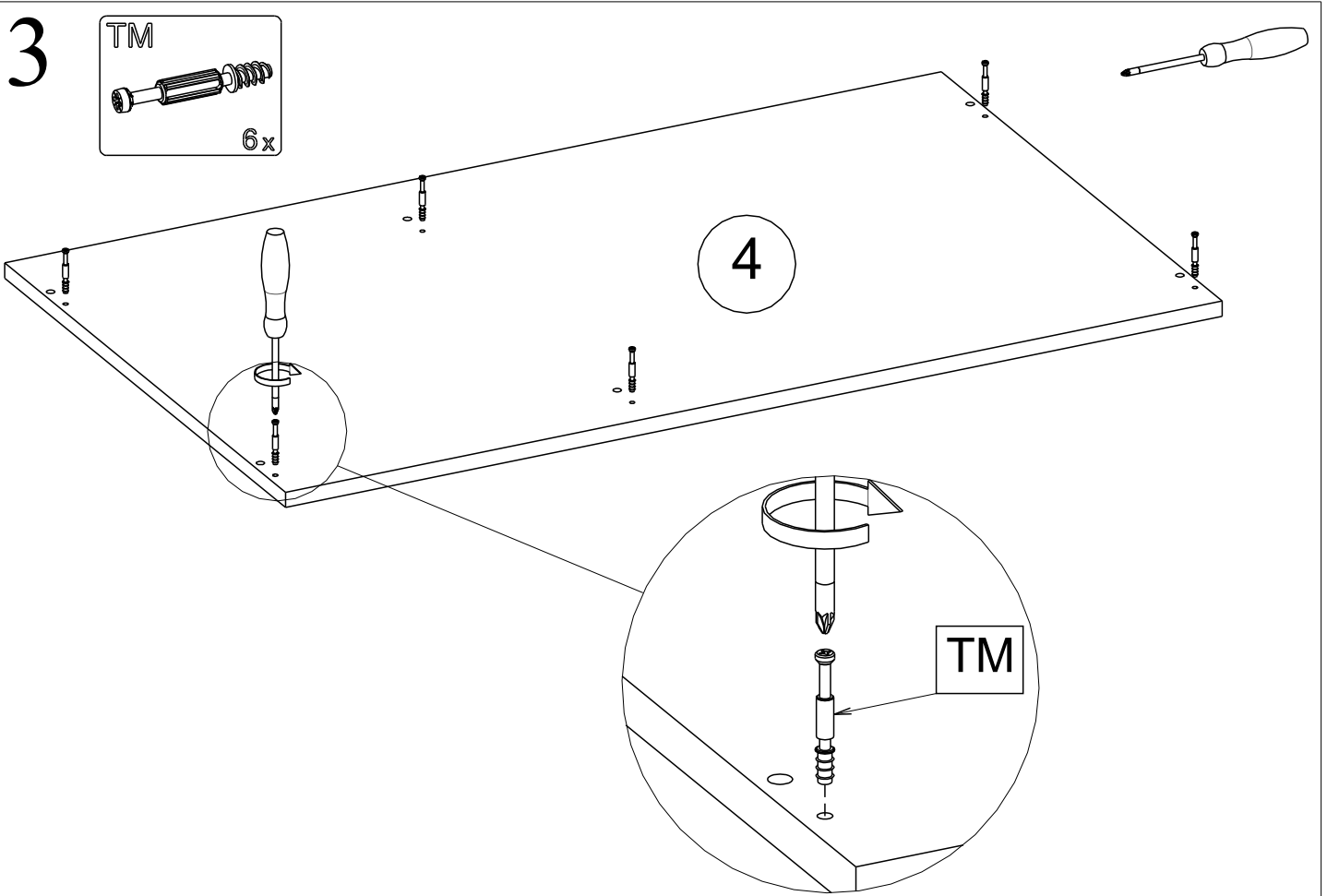
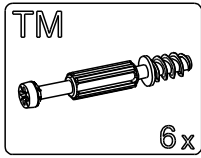
1



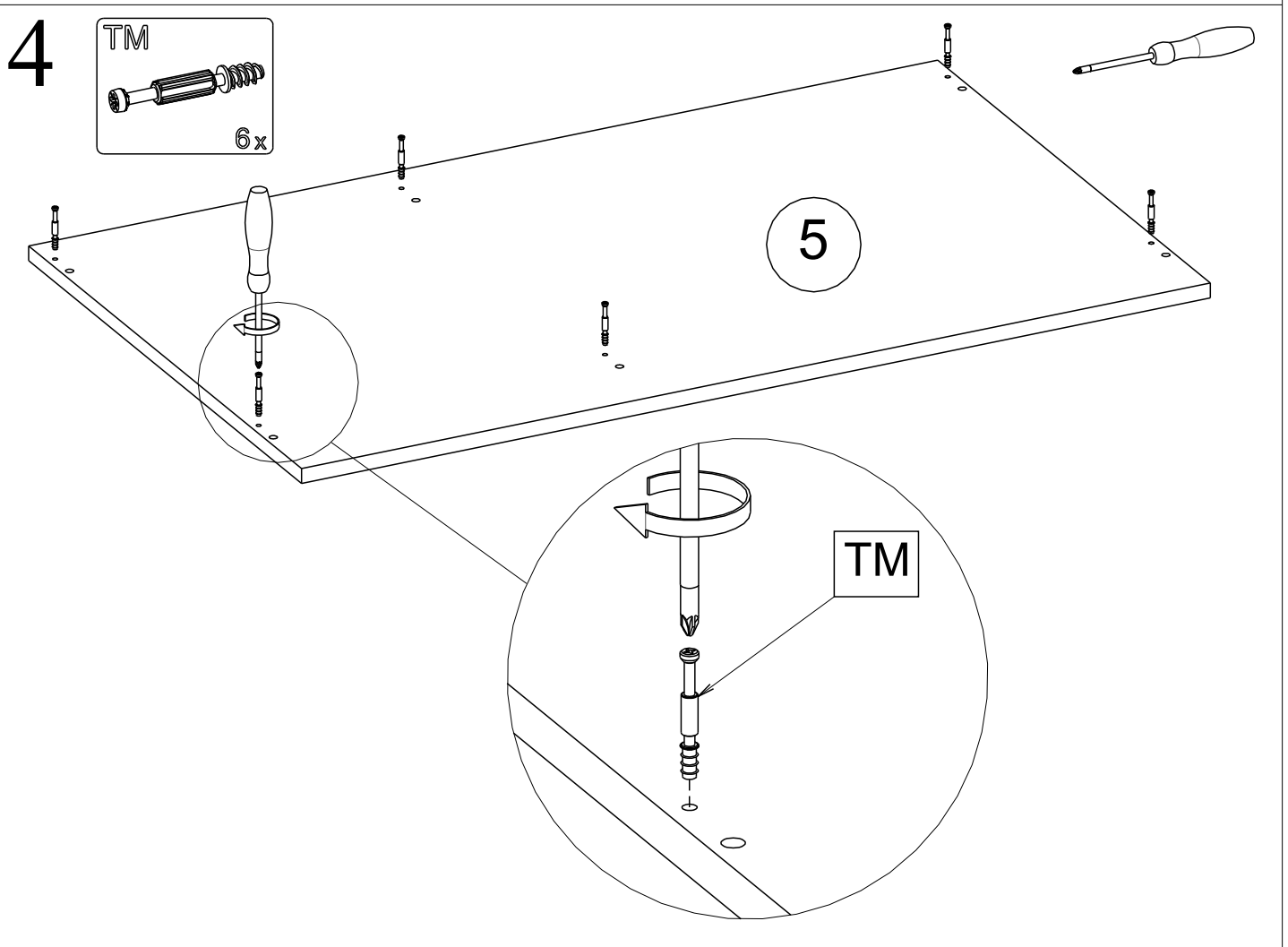
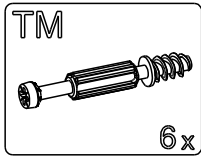
2



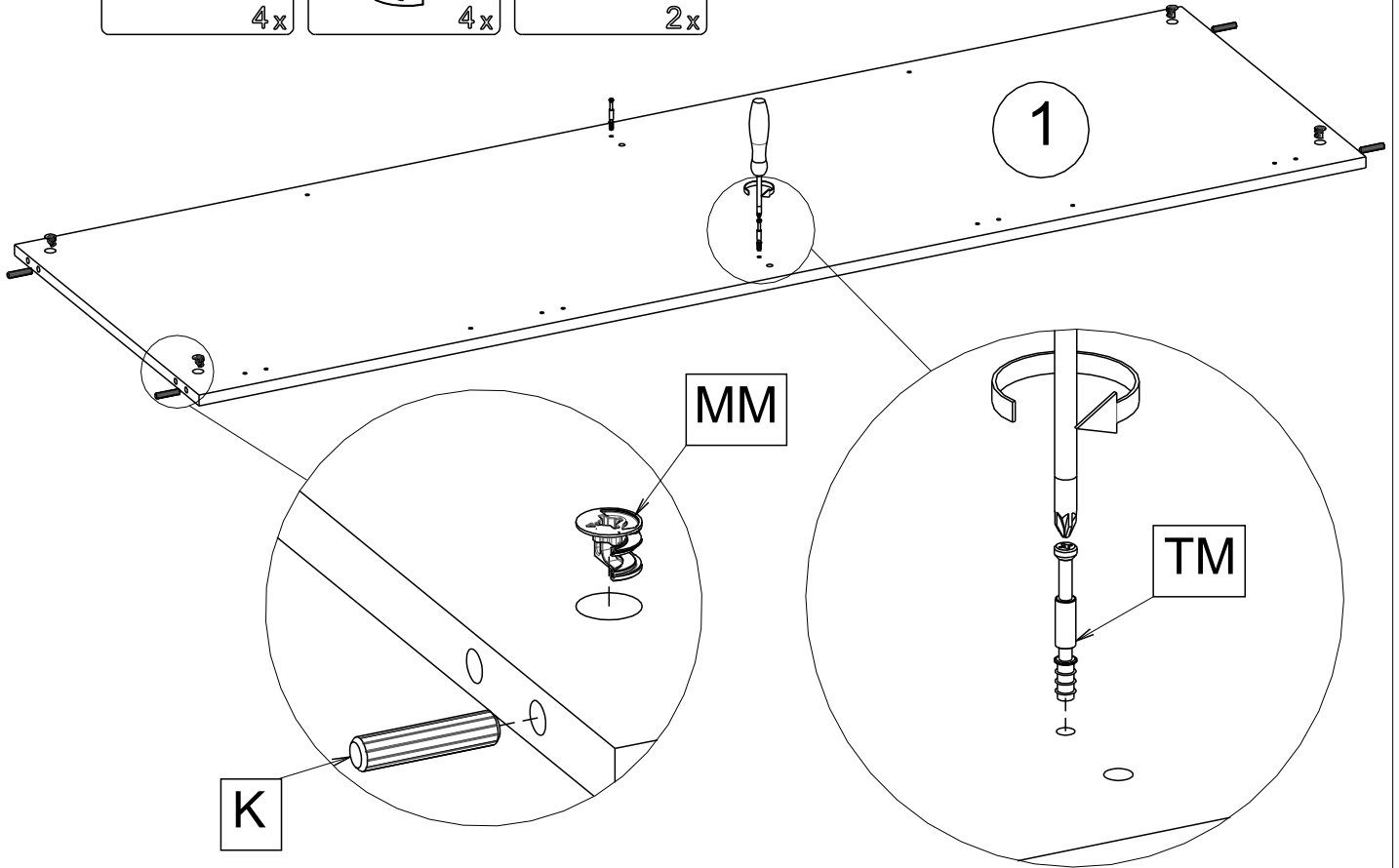
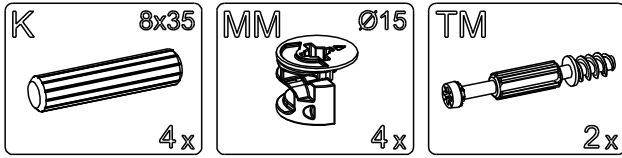
3



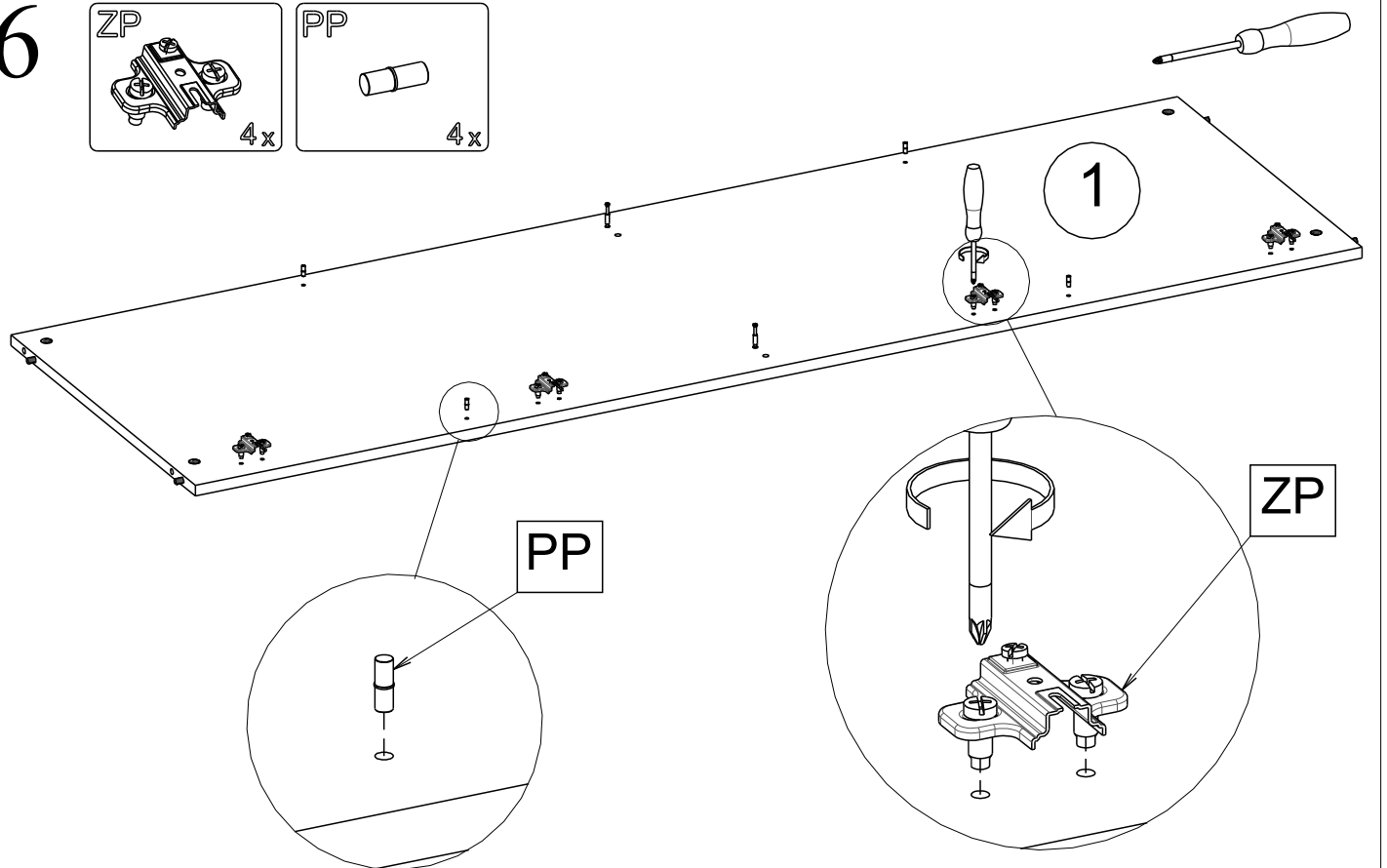
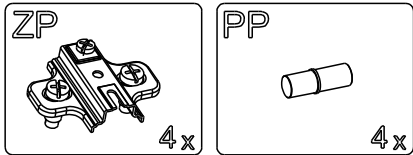
4



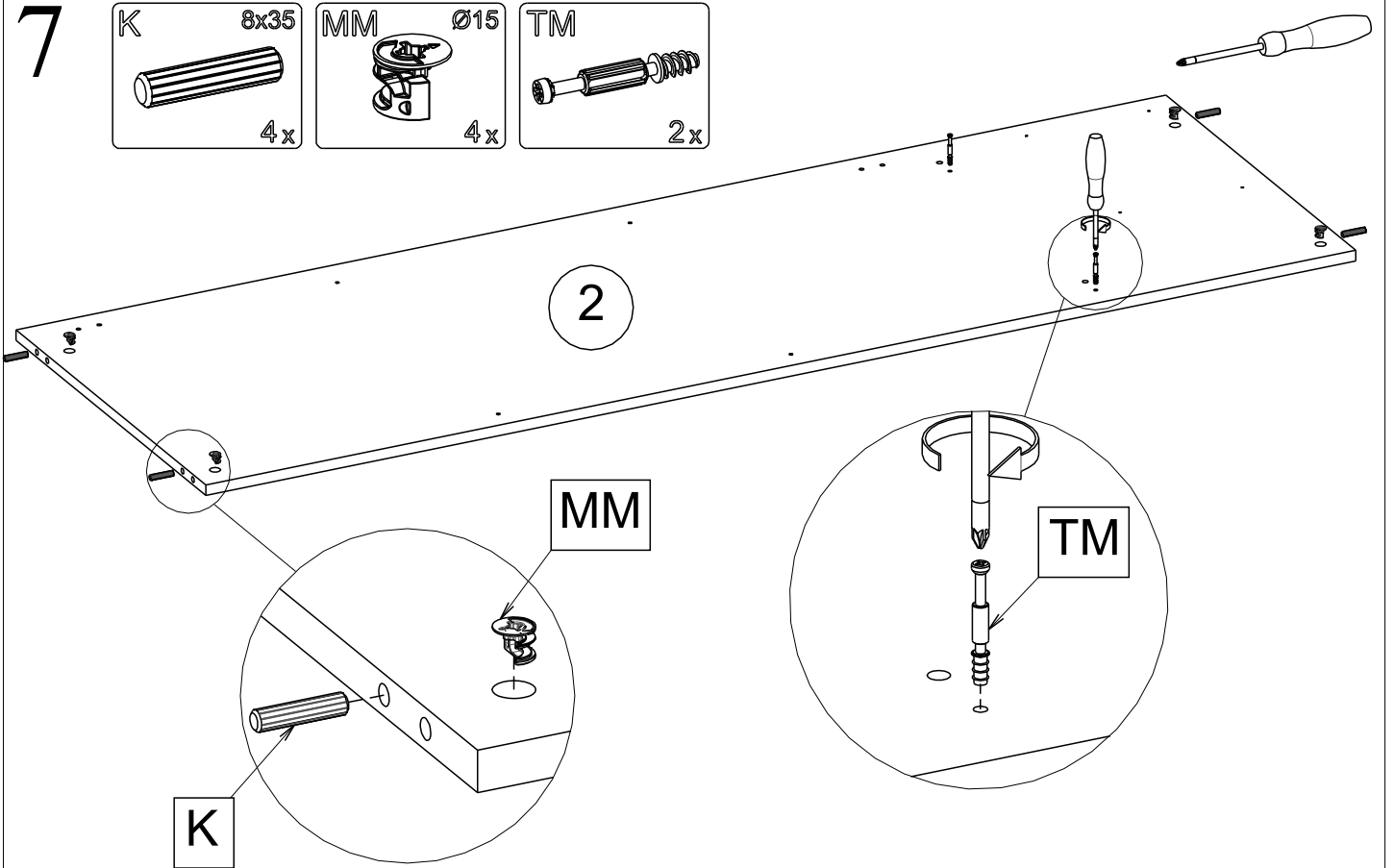
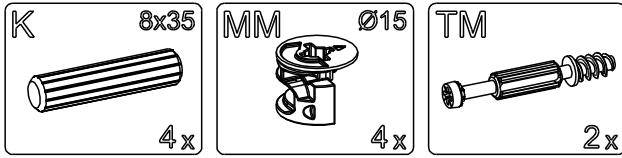
5



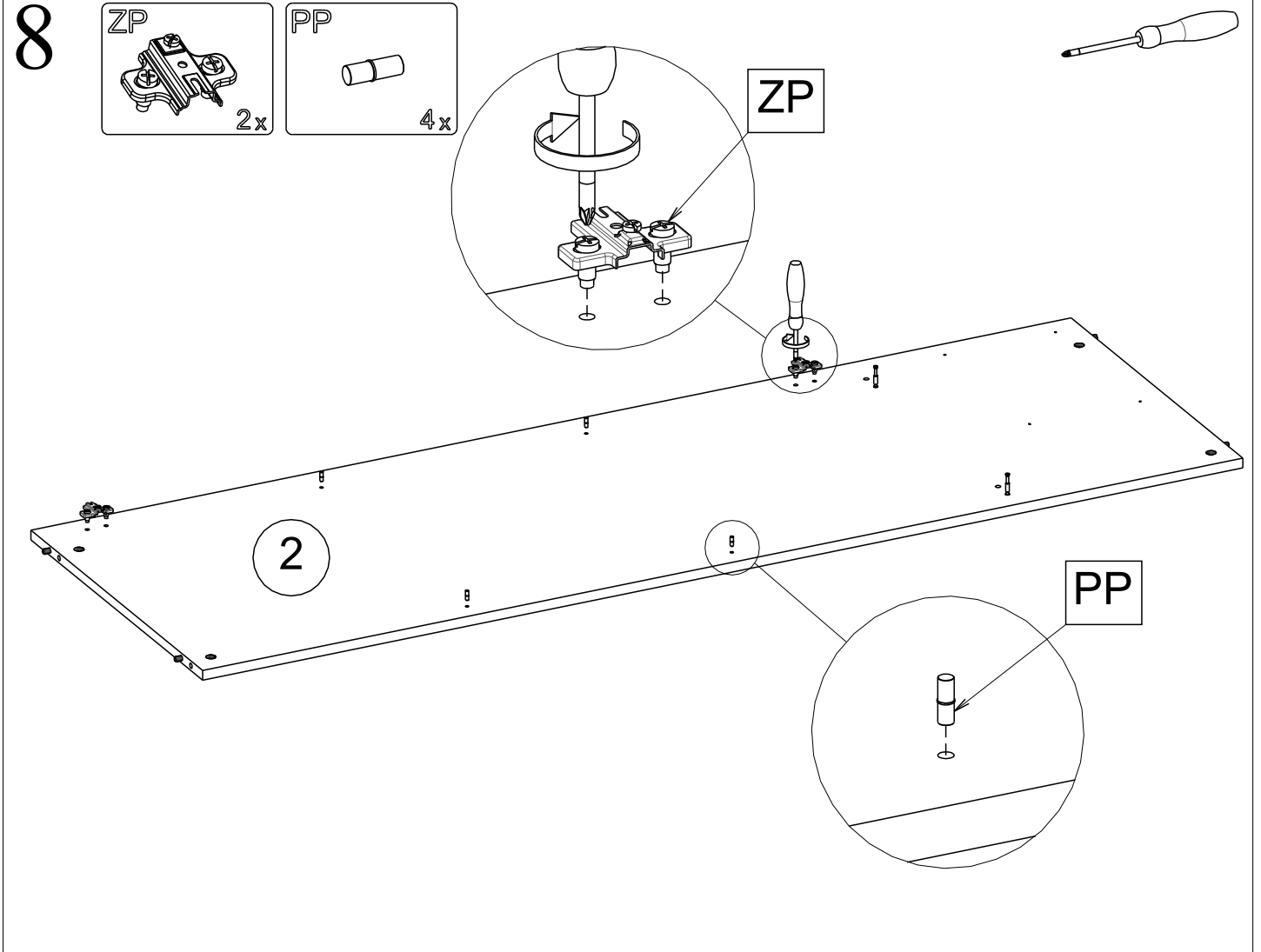
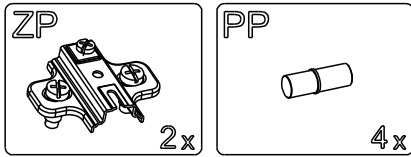
6



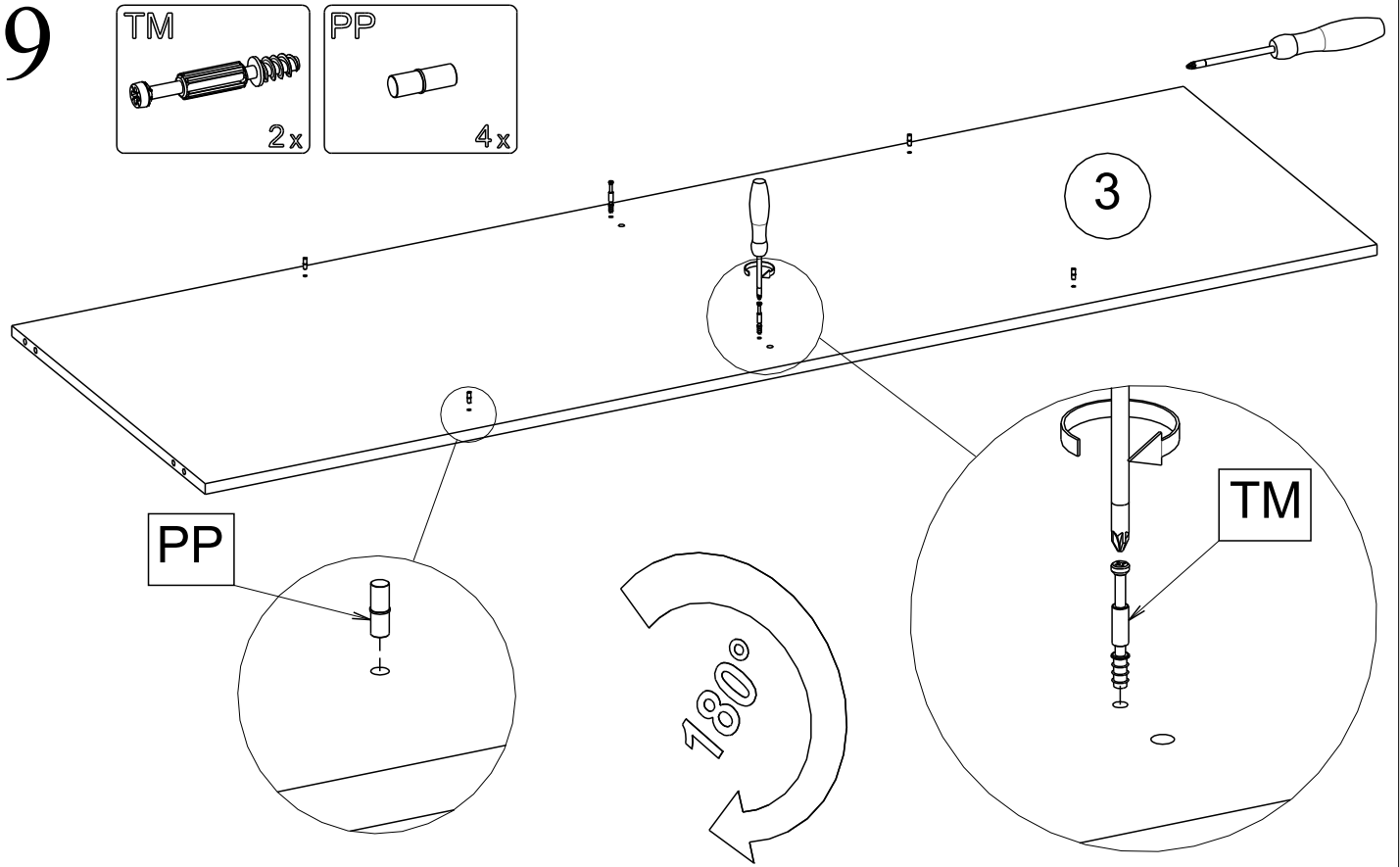
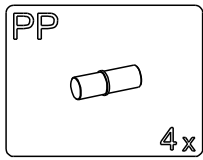
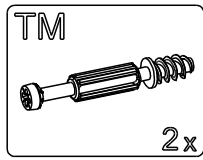
7



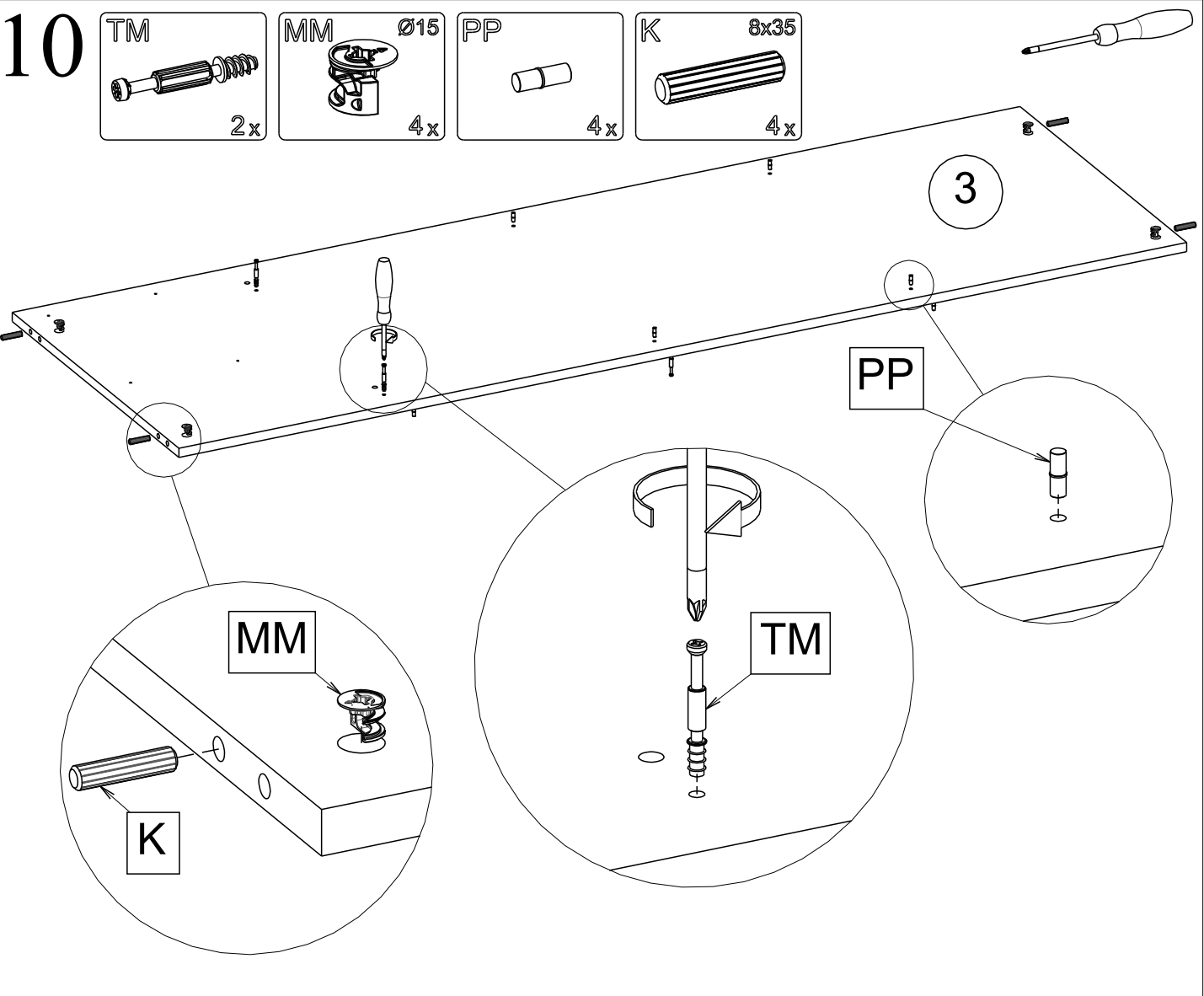
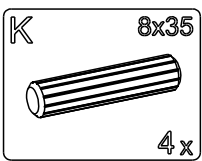
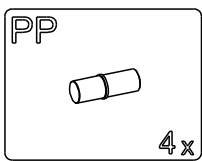
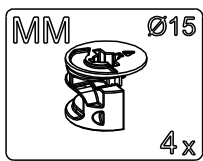
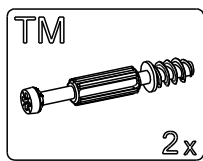
8



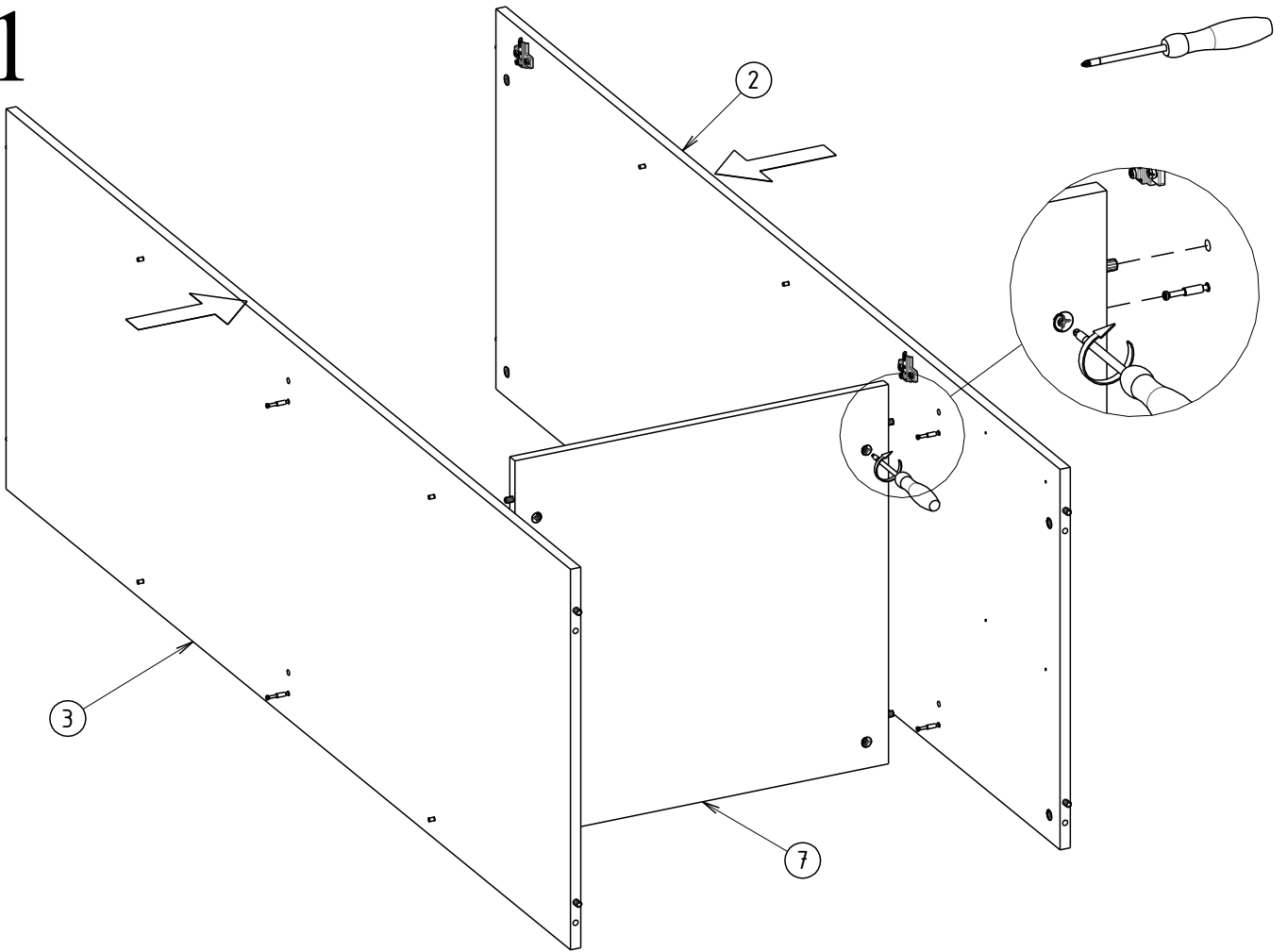
9



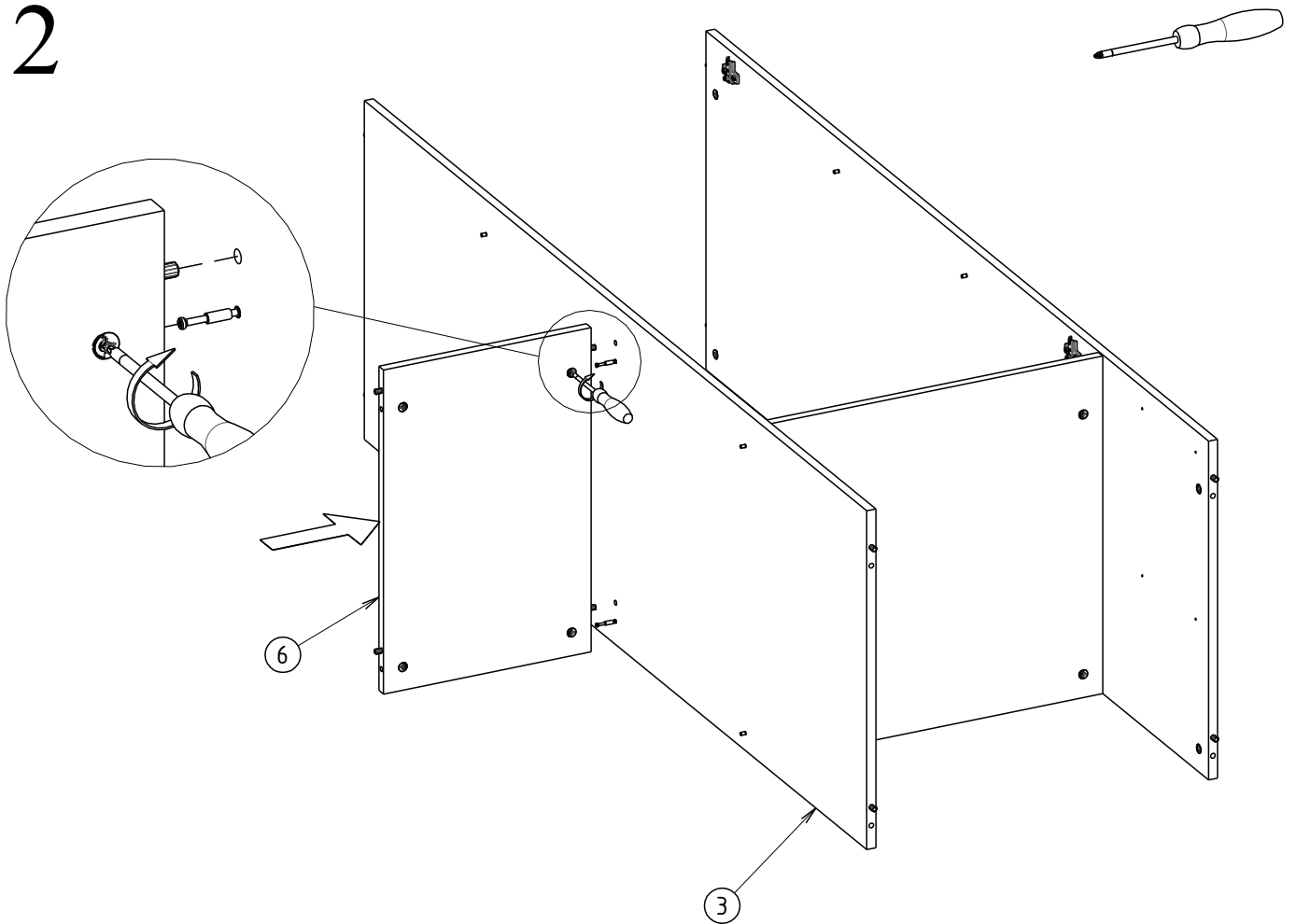
10



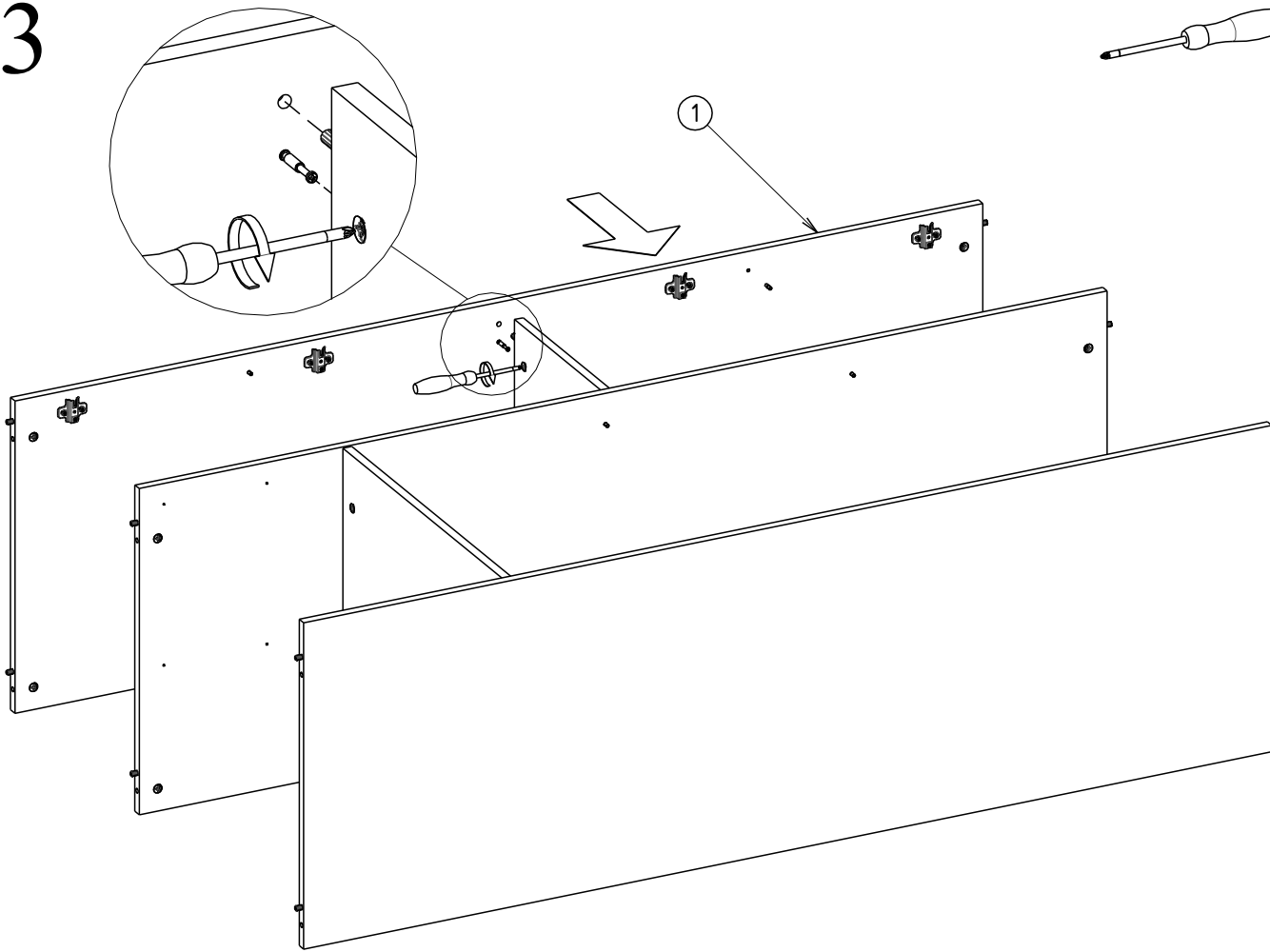
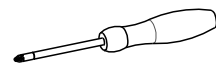
11



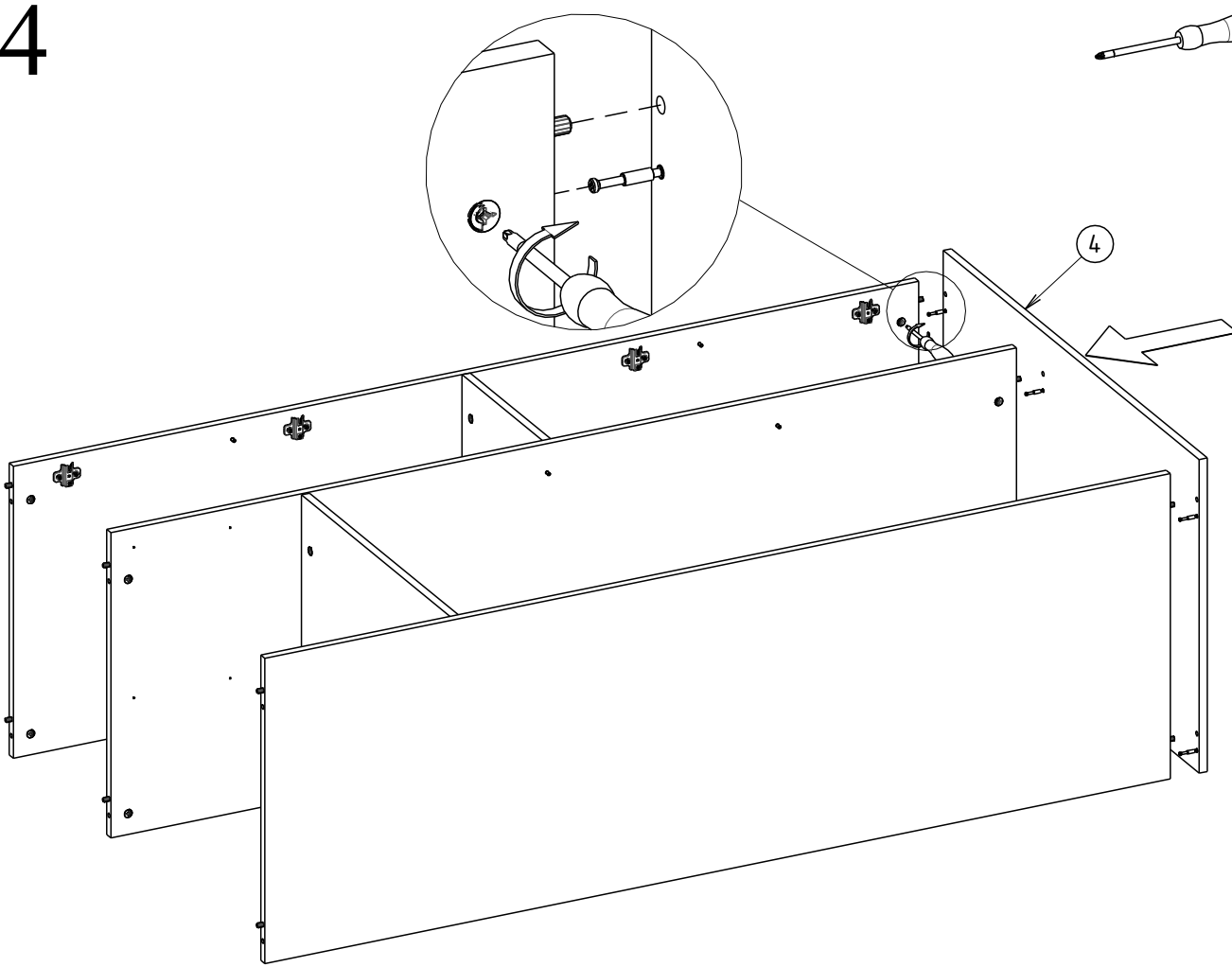
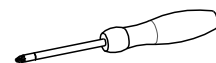
12



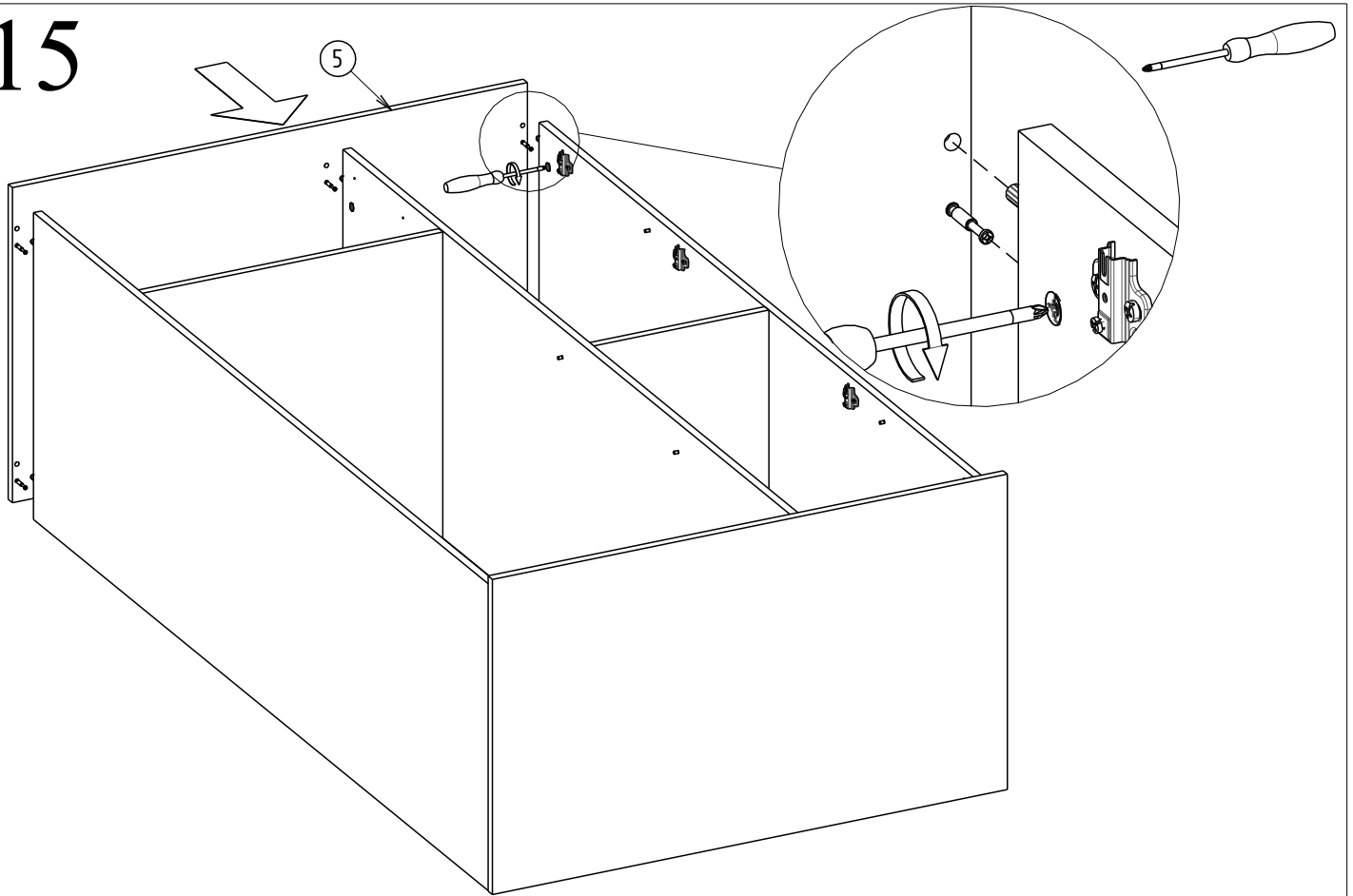
13



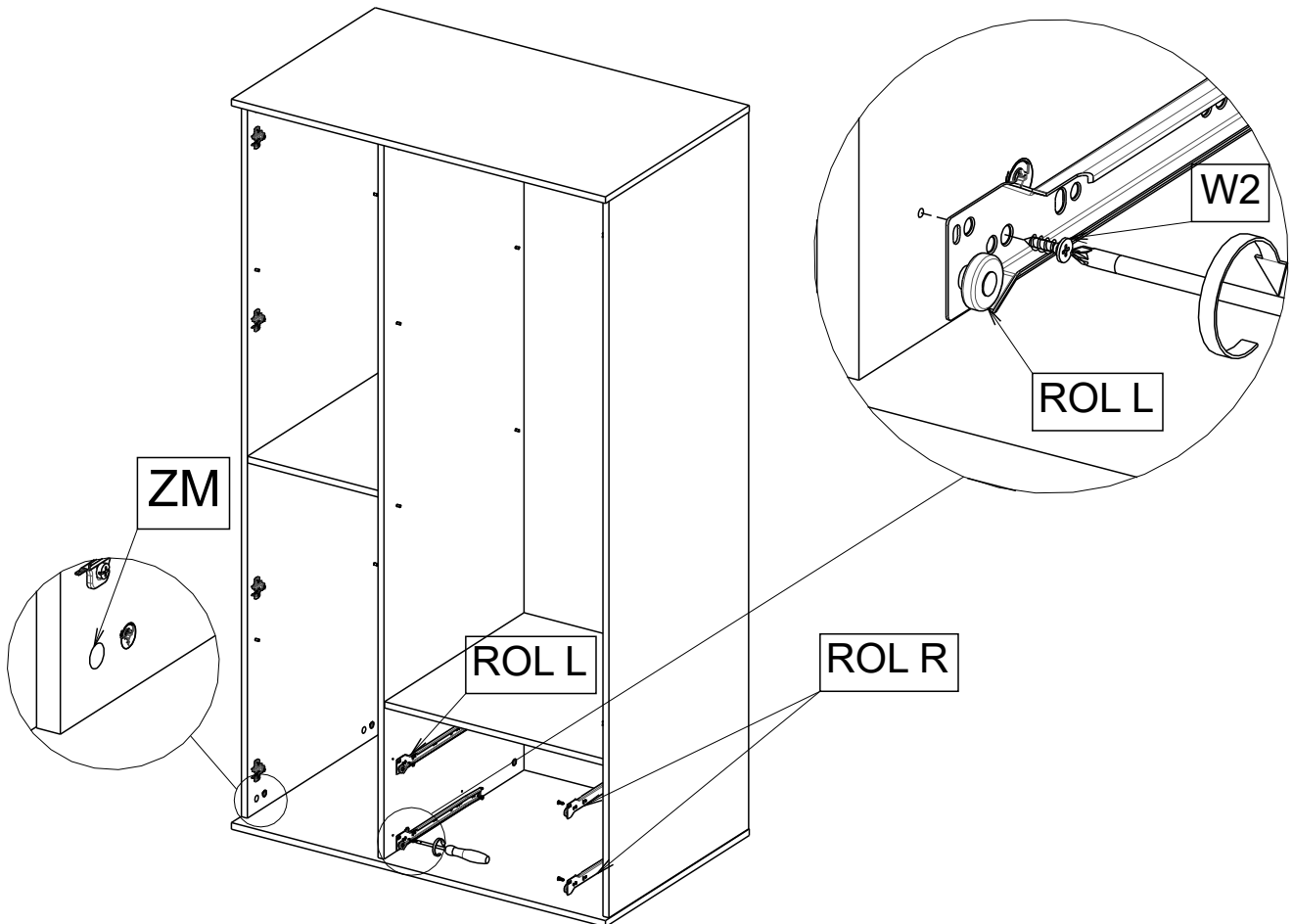
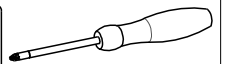
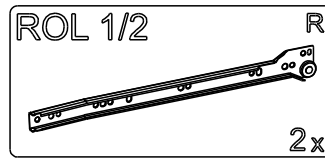
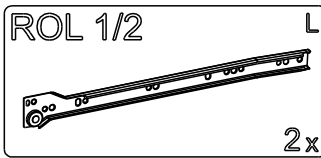
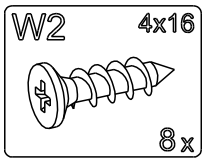
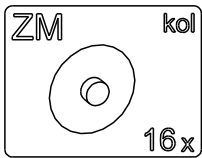
14



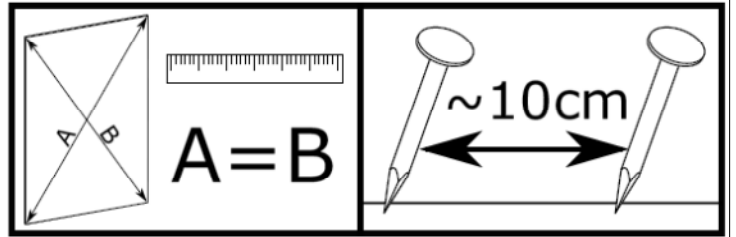
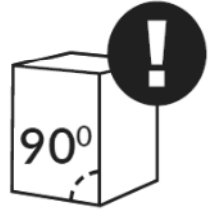
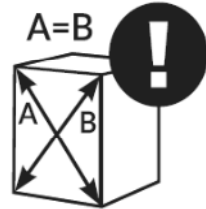
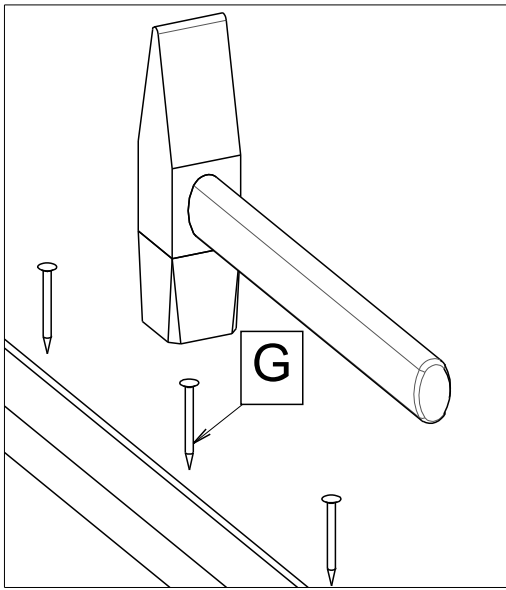
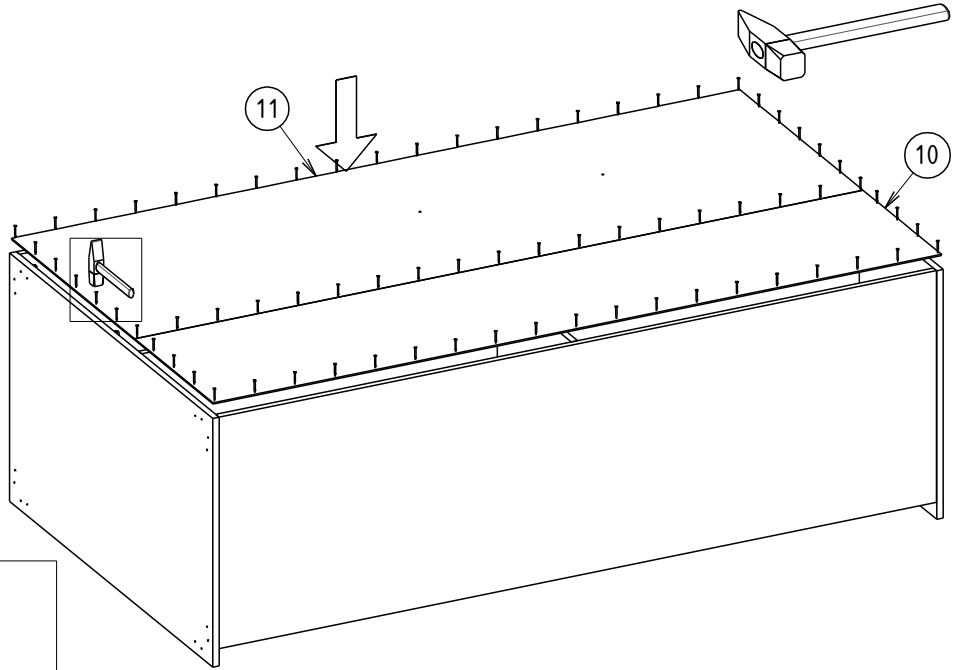
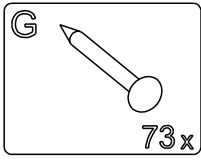
15



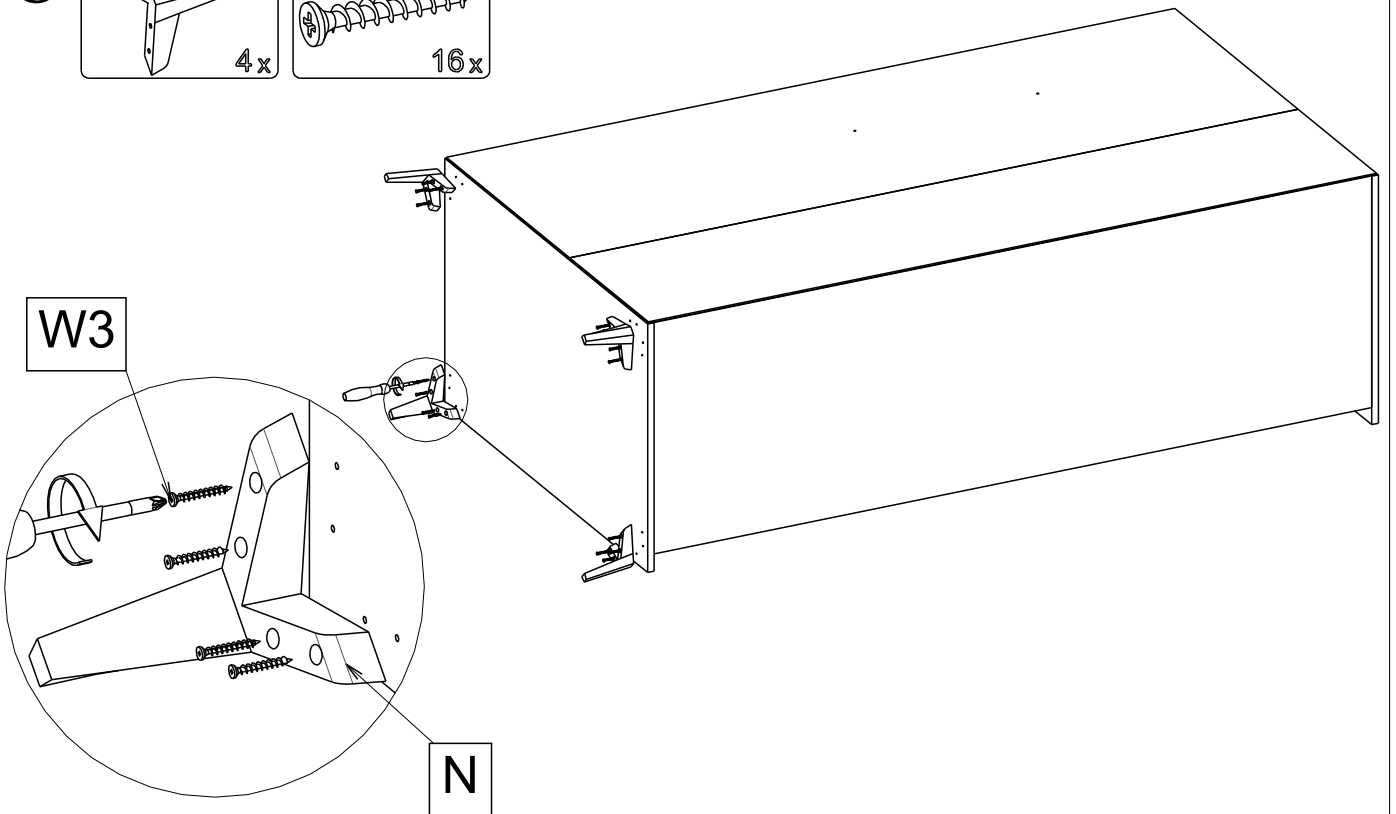
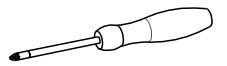
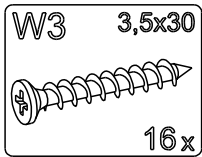
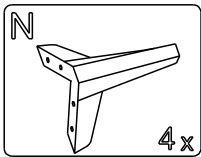
16



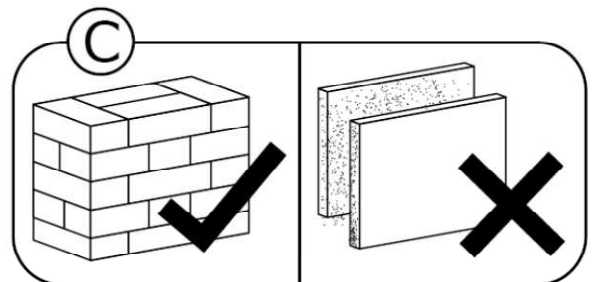
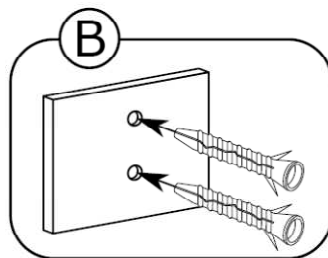
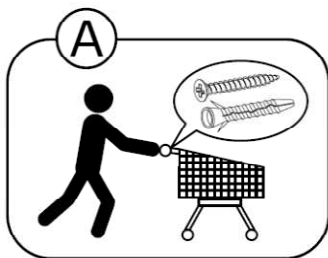
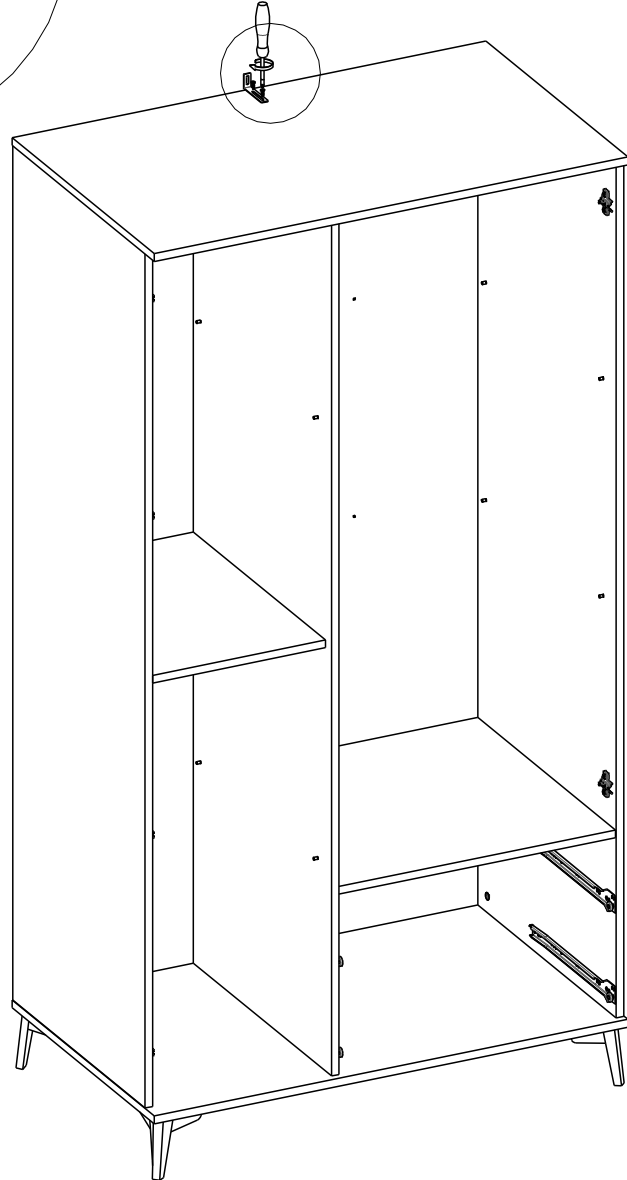
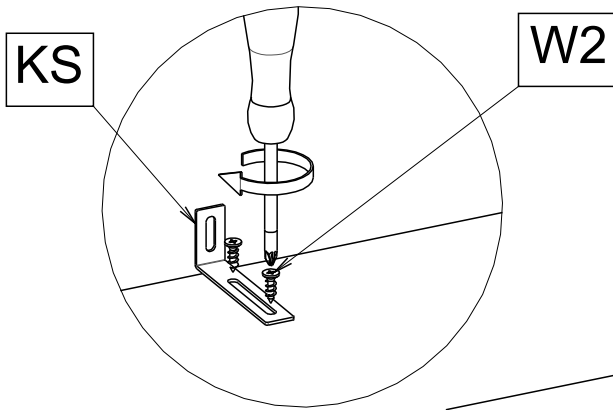
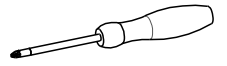
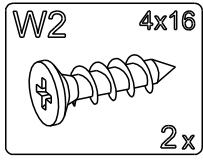
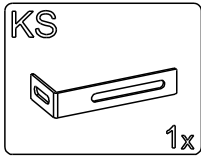
17



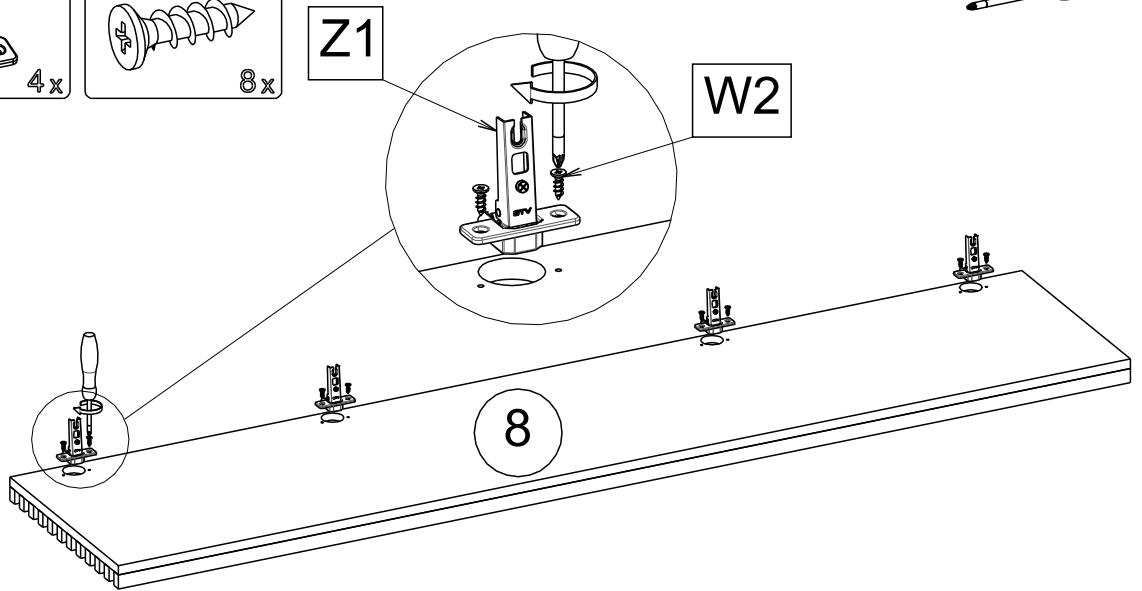
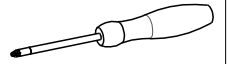
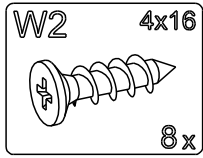
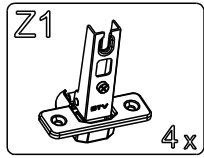
18



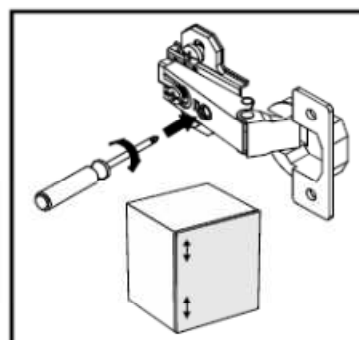
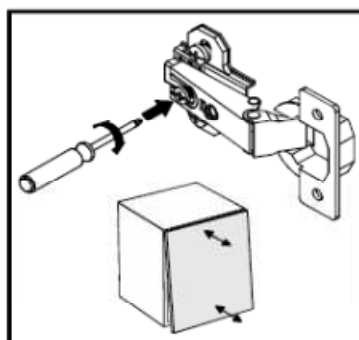
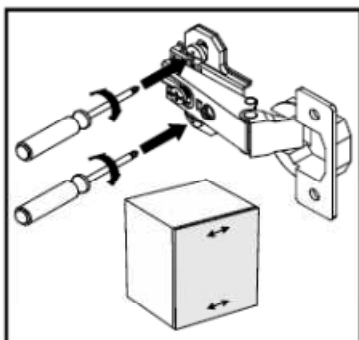
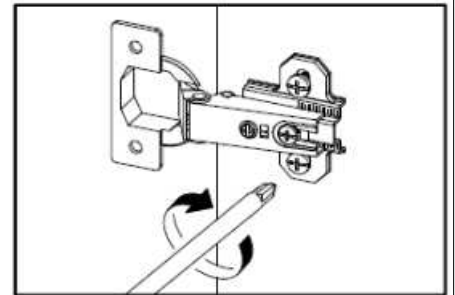
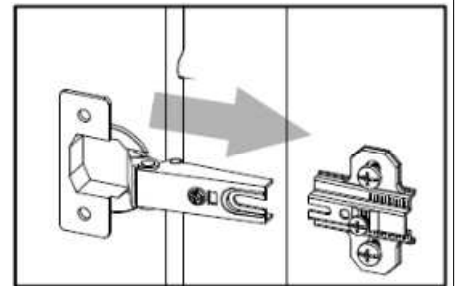
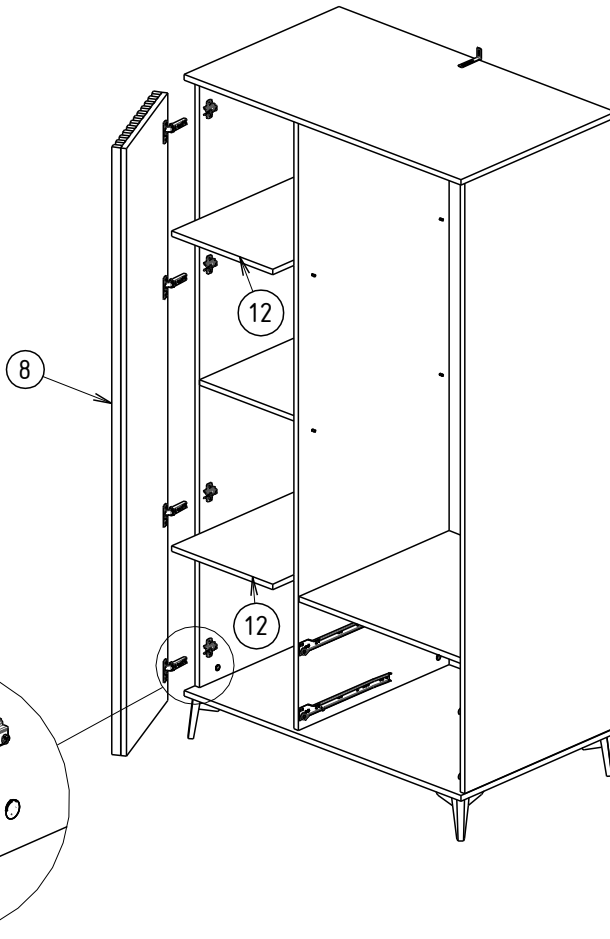
19



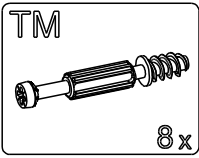
20



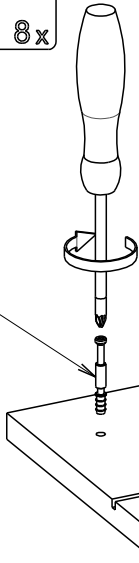
21



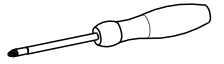
22



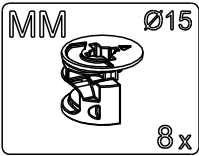
TM



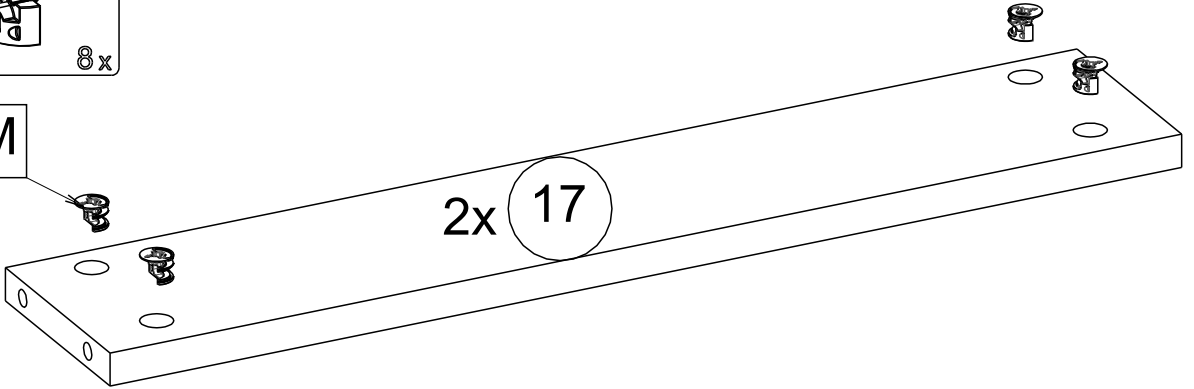
2x 14



23

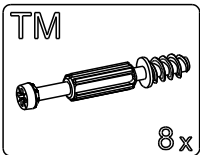


MM

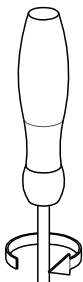


2x 17

24

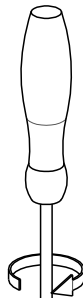


TM



15

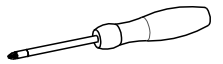
MM



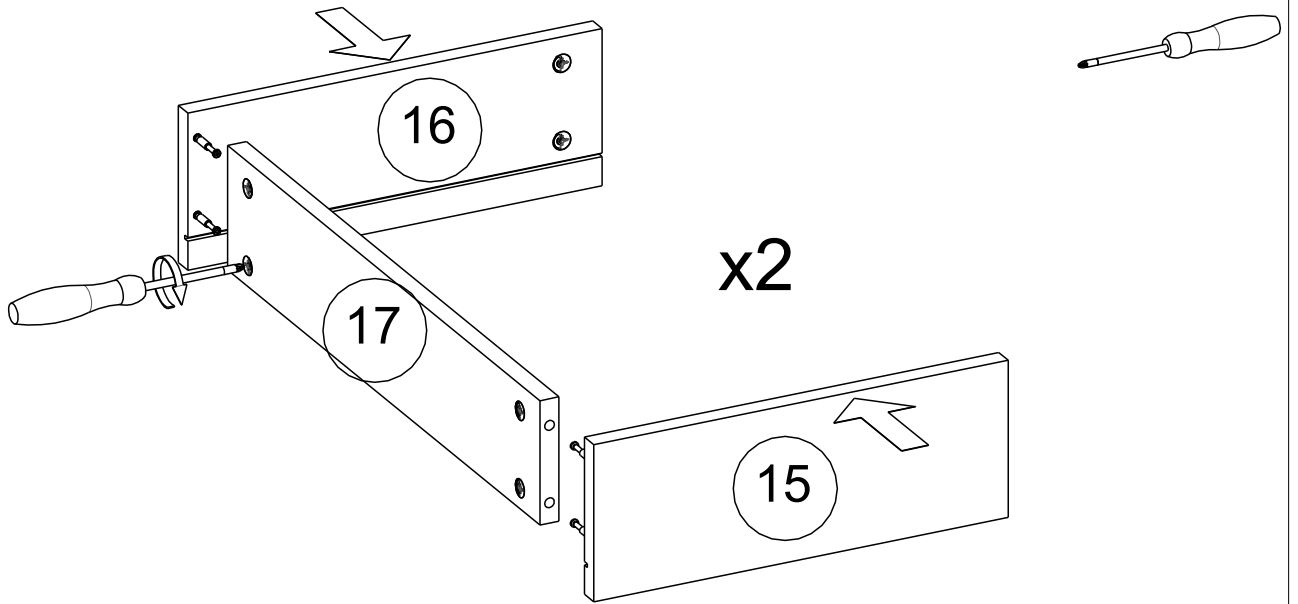
TM

16

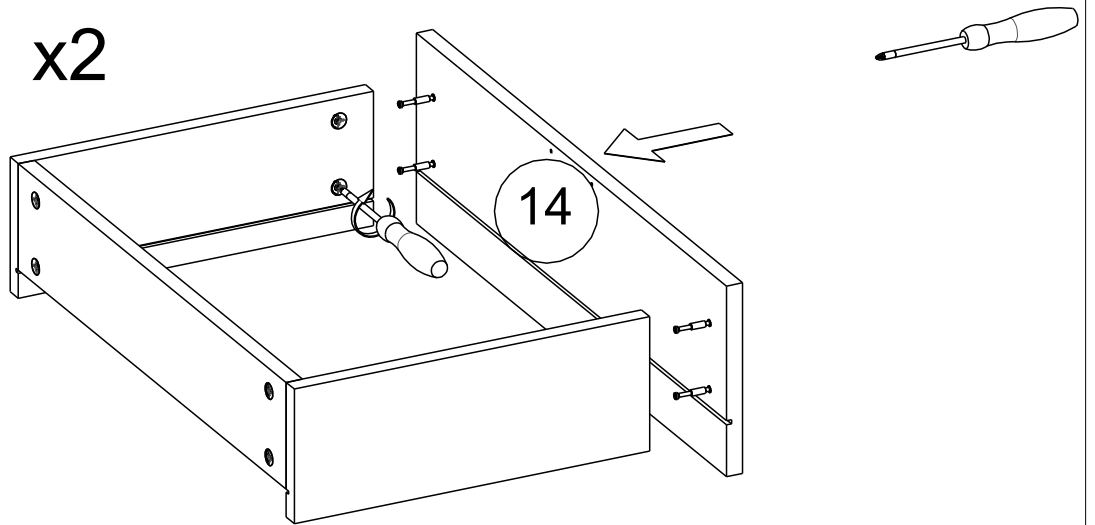
MM



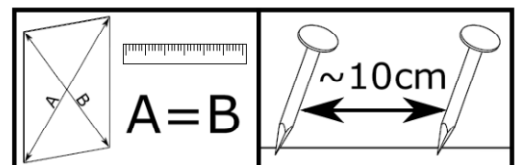
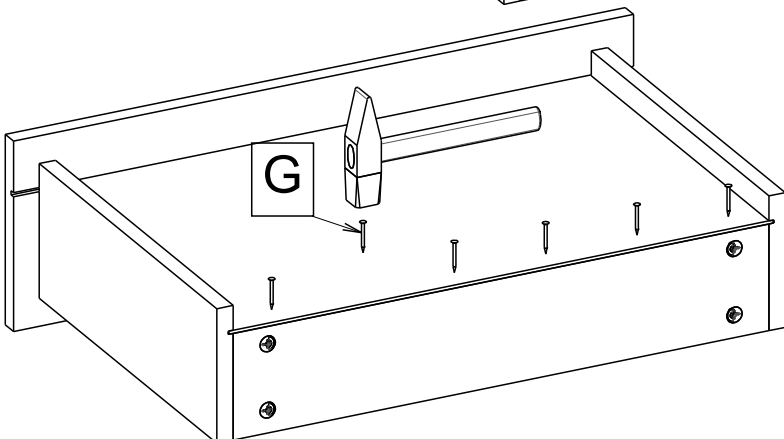
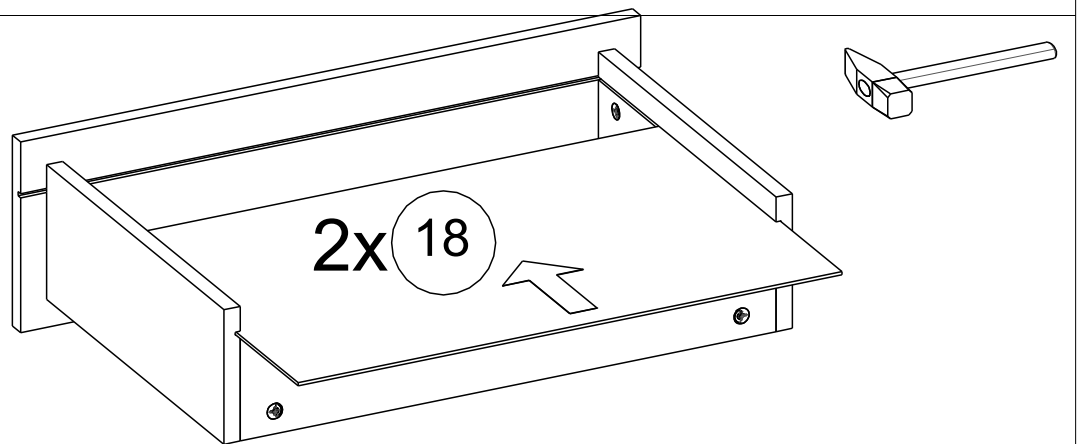
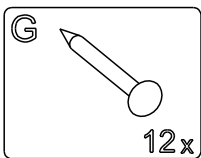
25



26



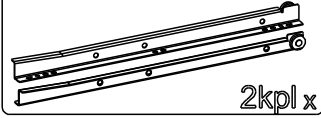
27



28

ROL 2/2

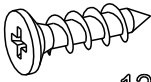
L + R



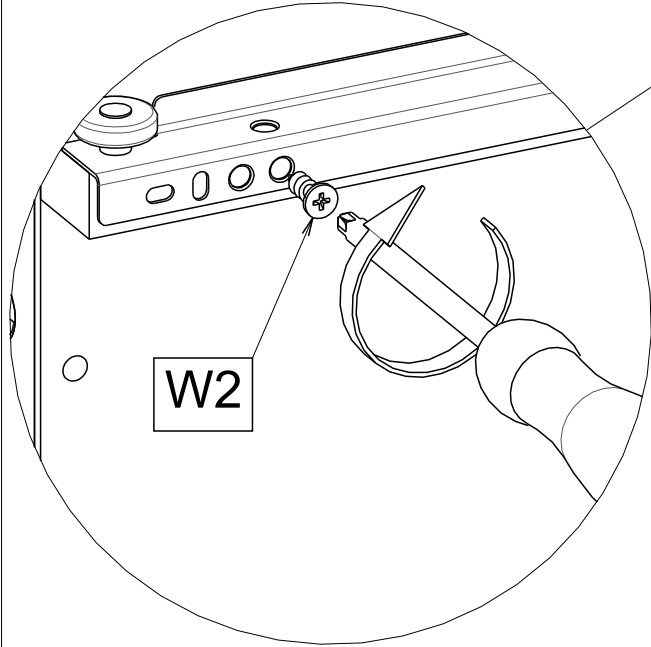
2kpl x

W2

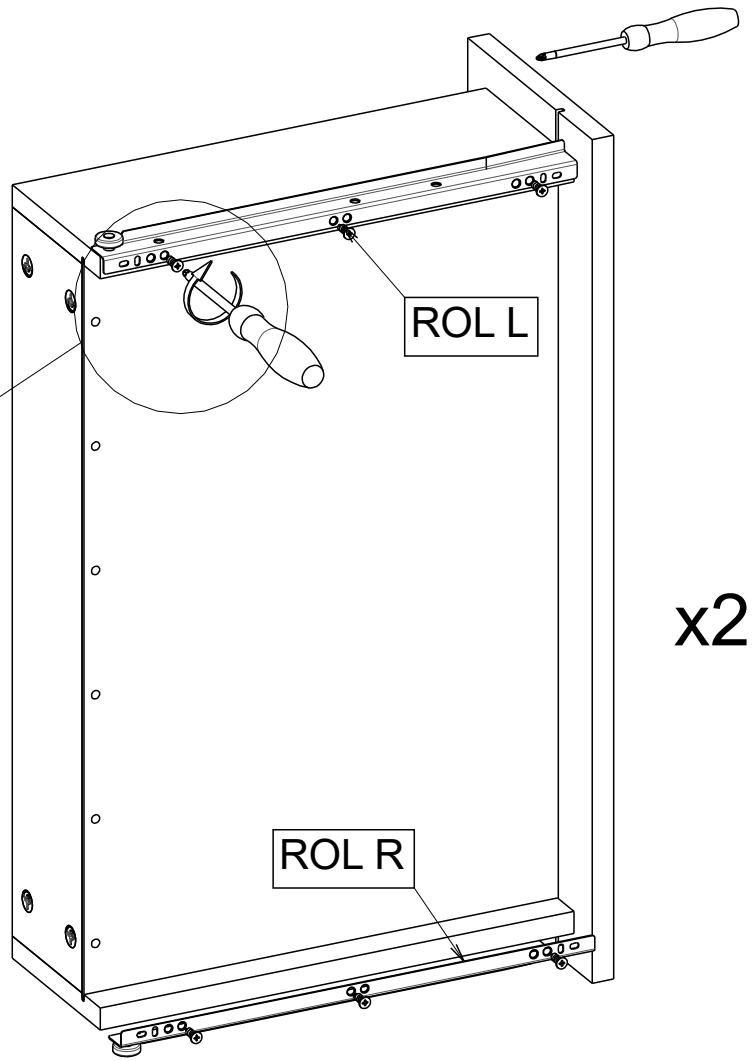
4x16



12x



W2



ROL L

ROL R

x2

29

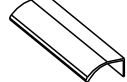
ZM

kol



16x

U



2x

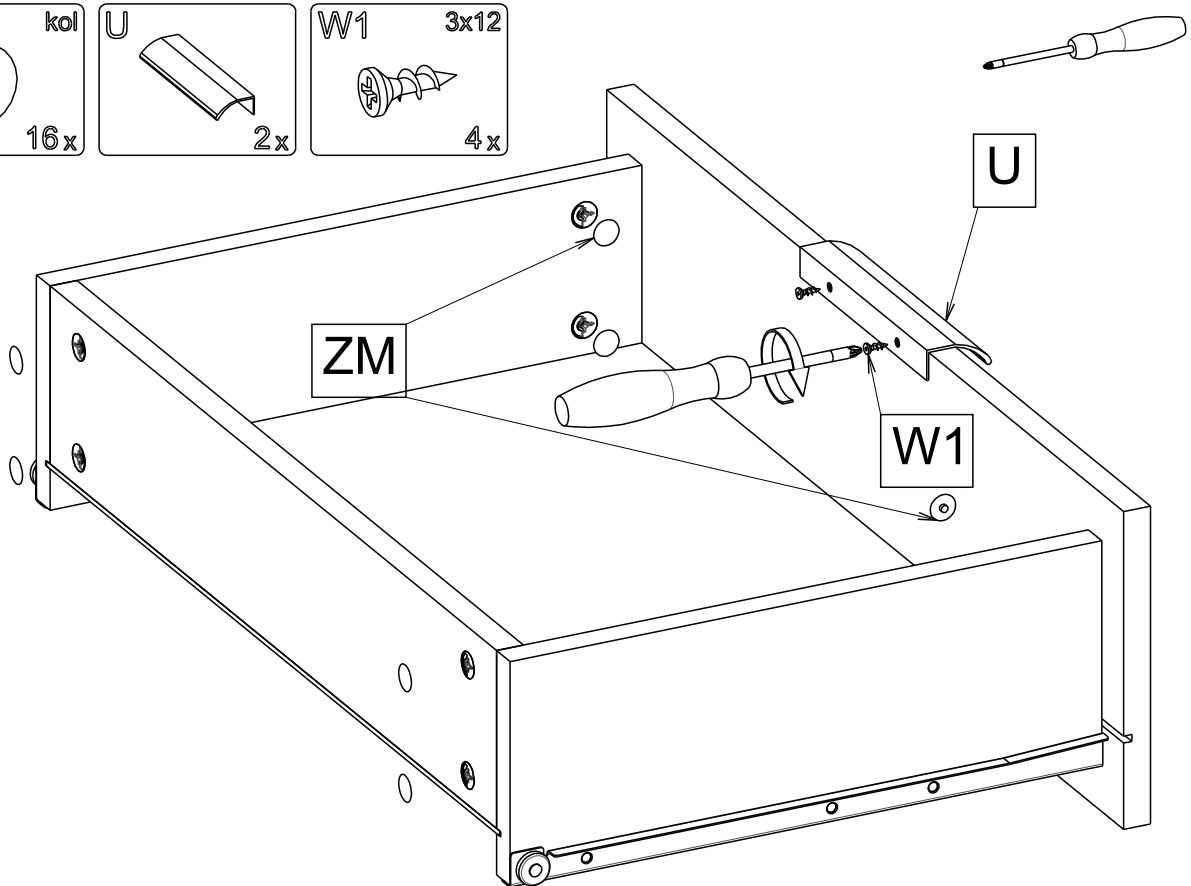
W1

3x12



4x

2x

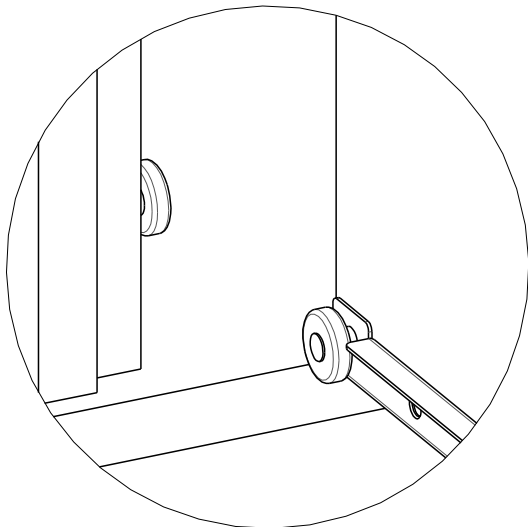
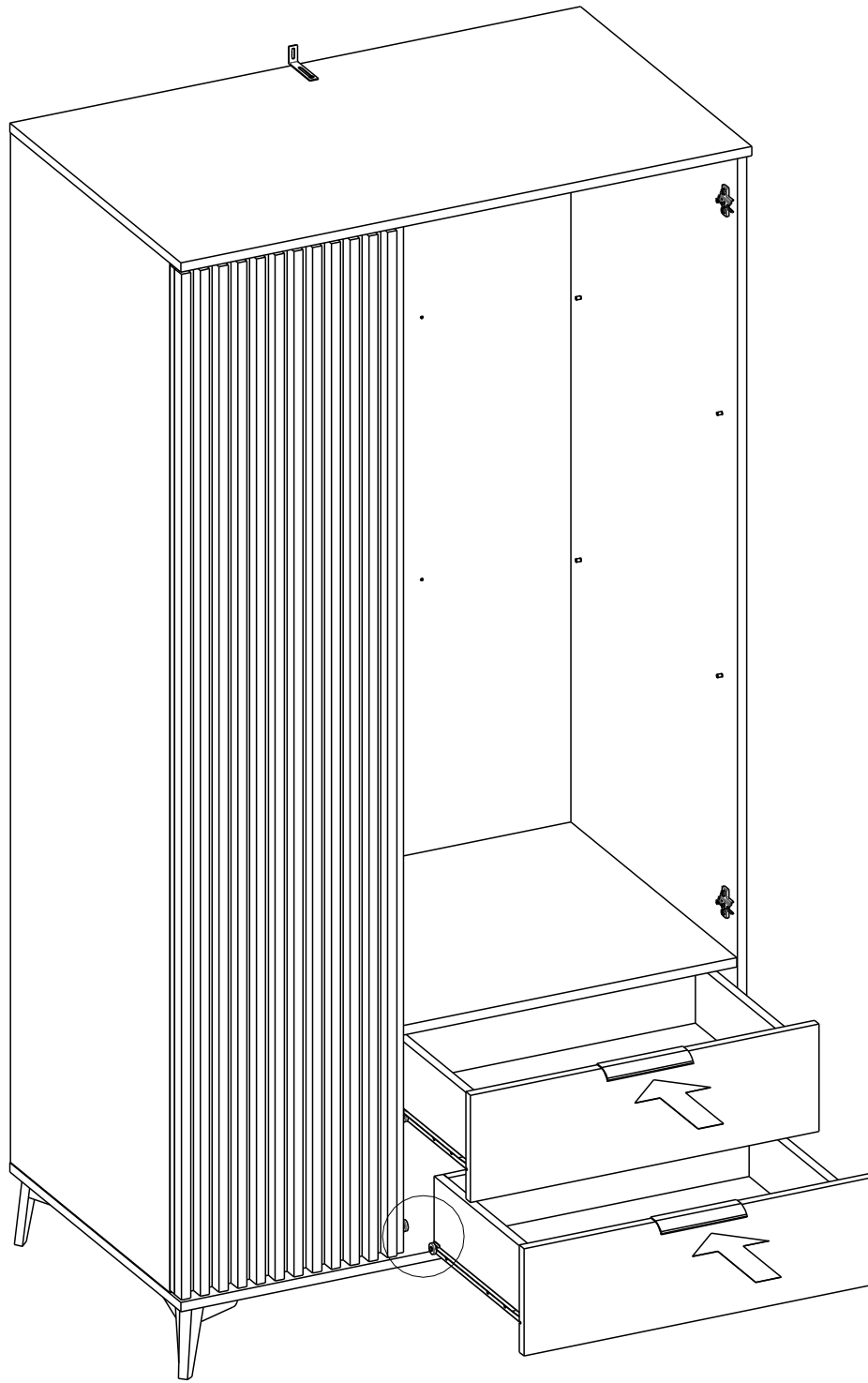


ZM

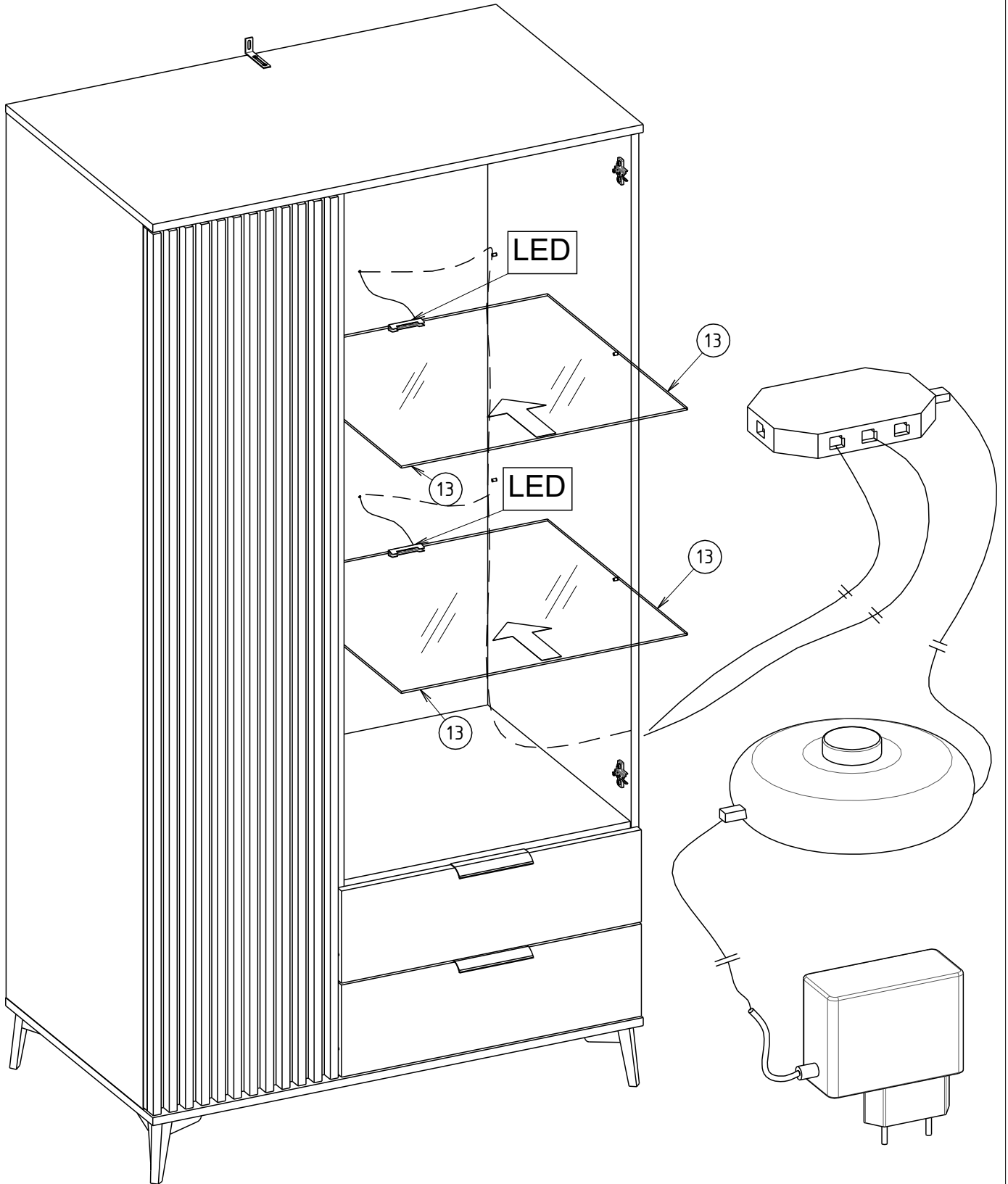
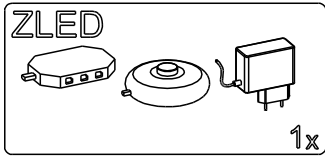
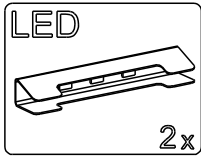
U

W1

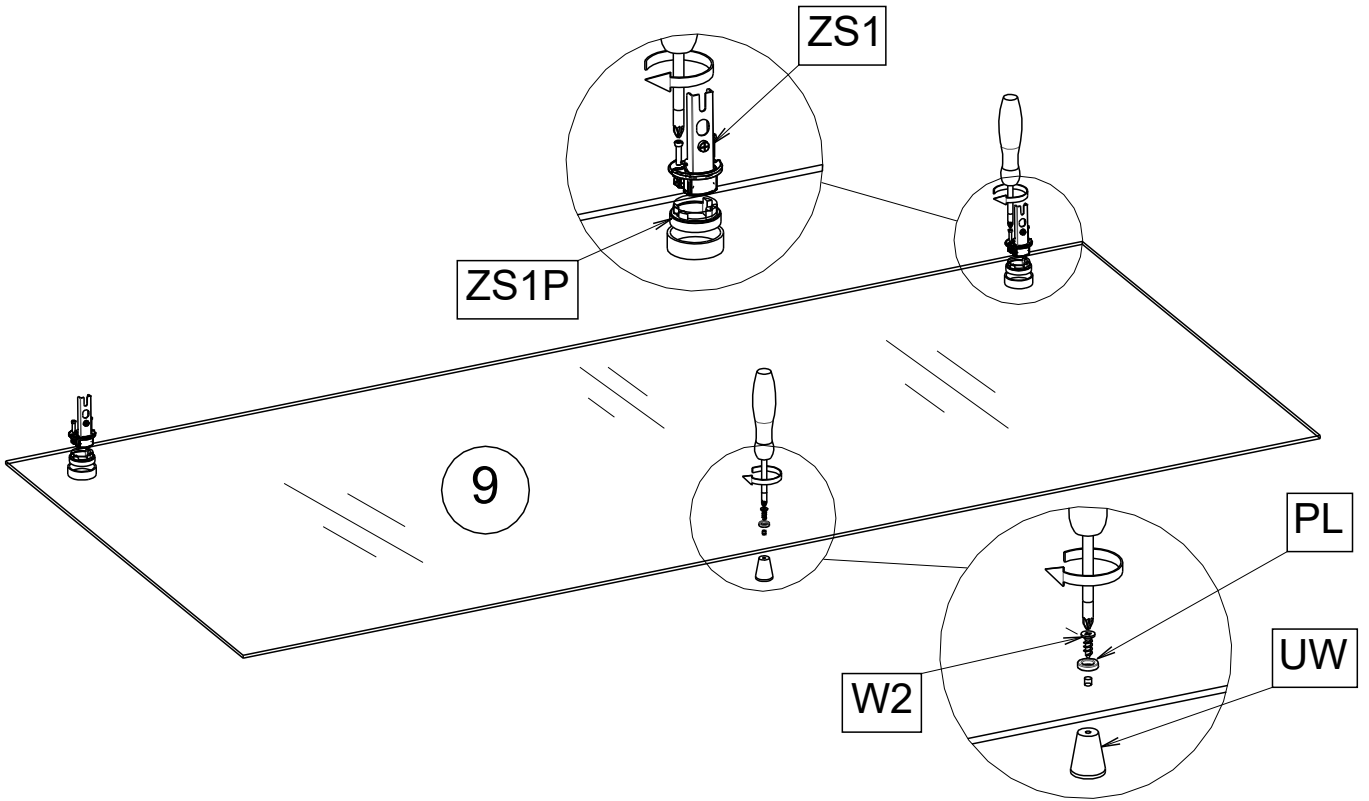
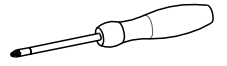
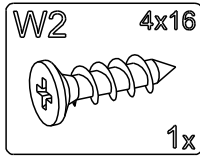
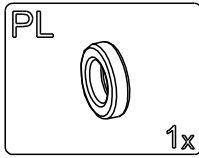
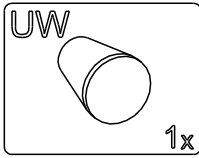
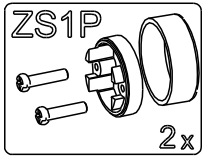
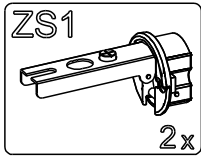
30



31



32



33

