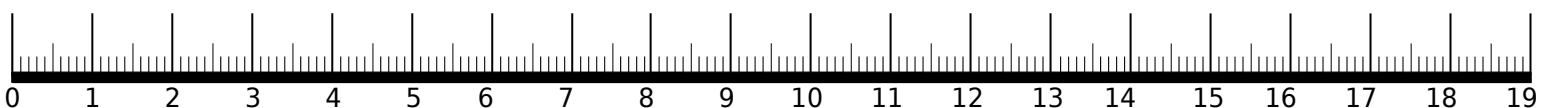
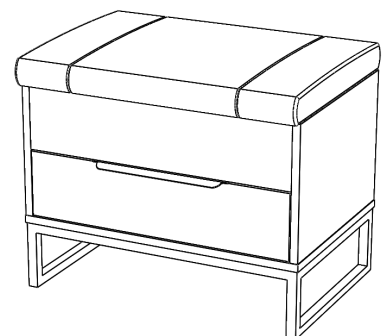
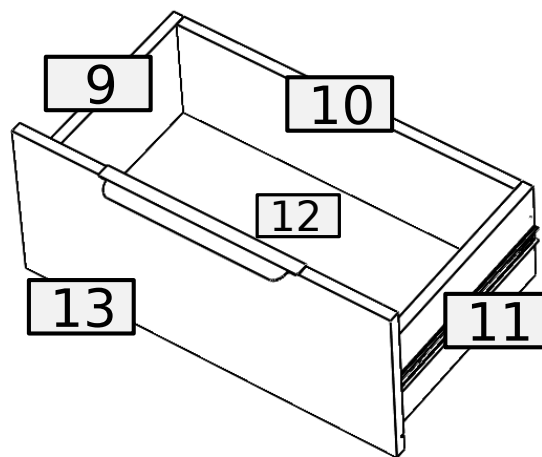
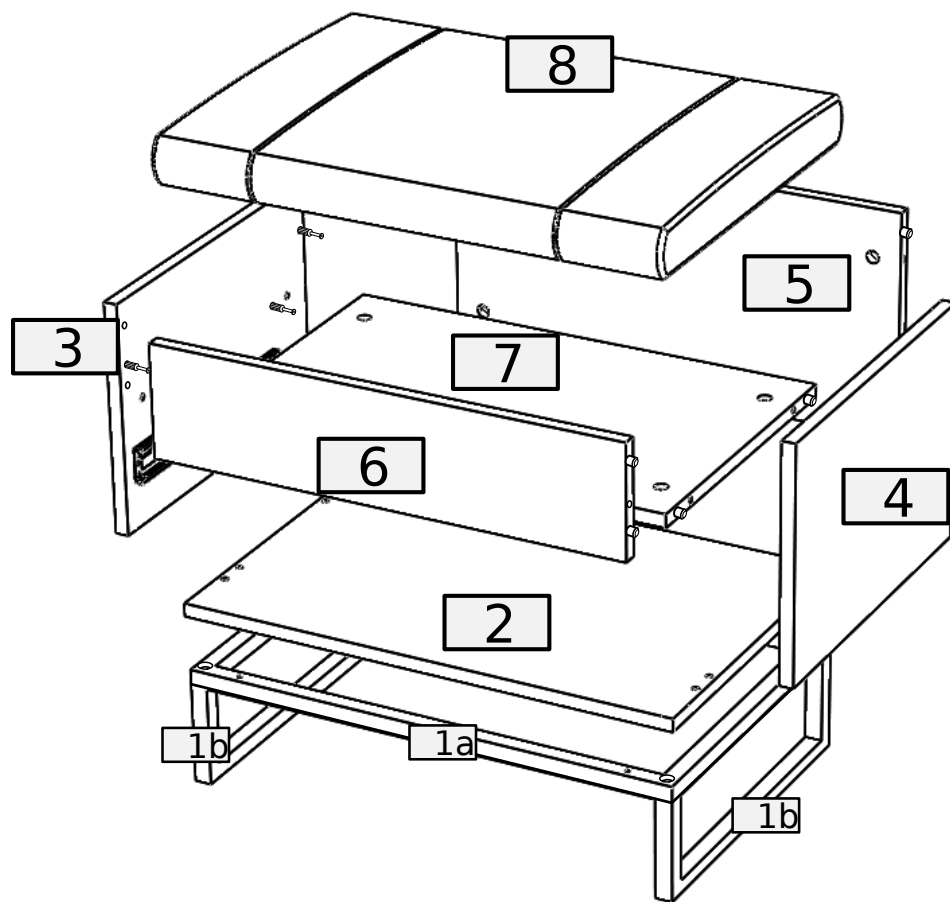


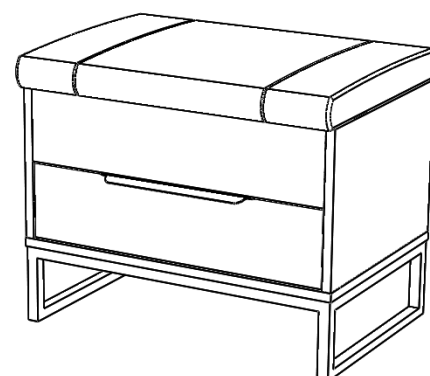
14	14	20	12	1	4	1	2
B	A	8.0x35	D 3.5x16 W2	U1	G4	UL	3.0x16 W3
X	PG	PZ	Z1	O L-350	PK		
10	1	2	2	4	1		

1	4	4
U1	US	4.0x35 W11

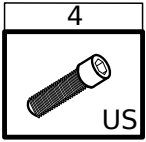
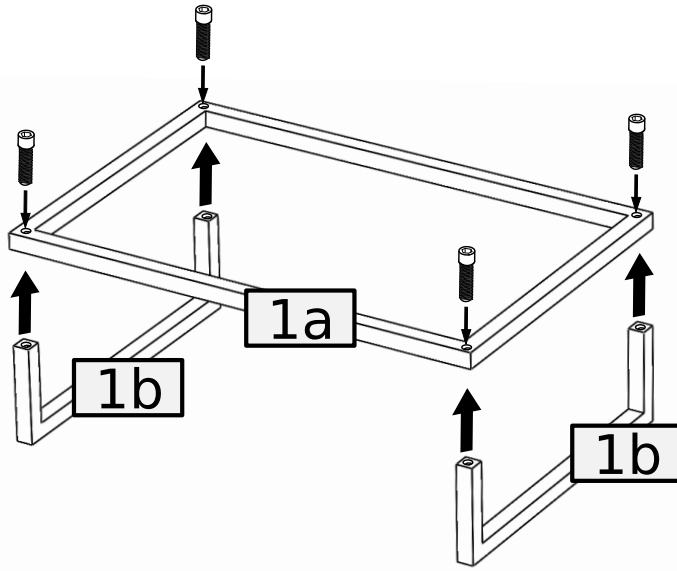




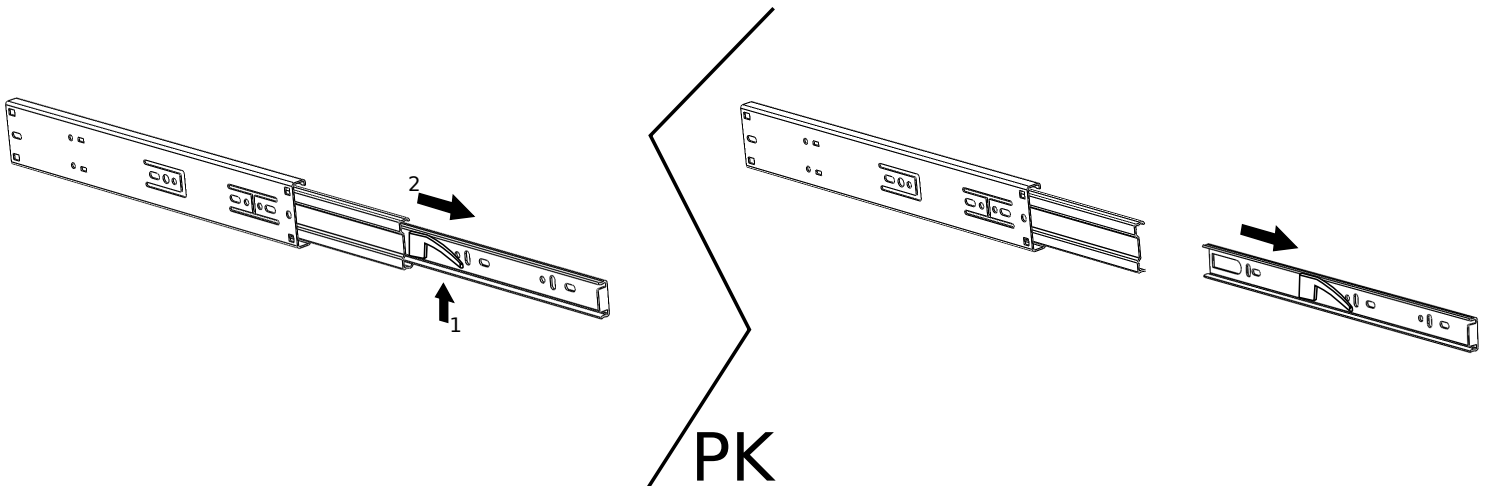
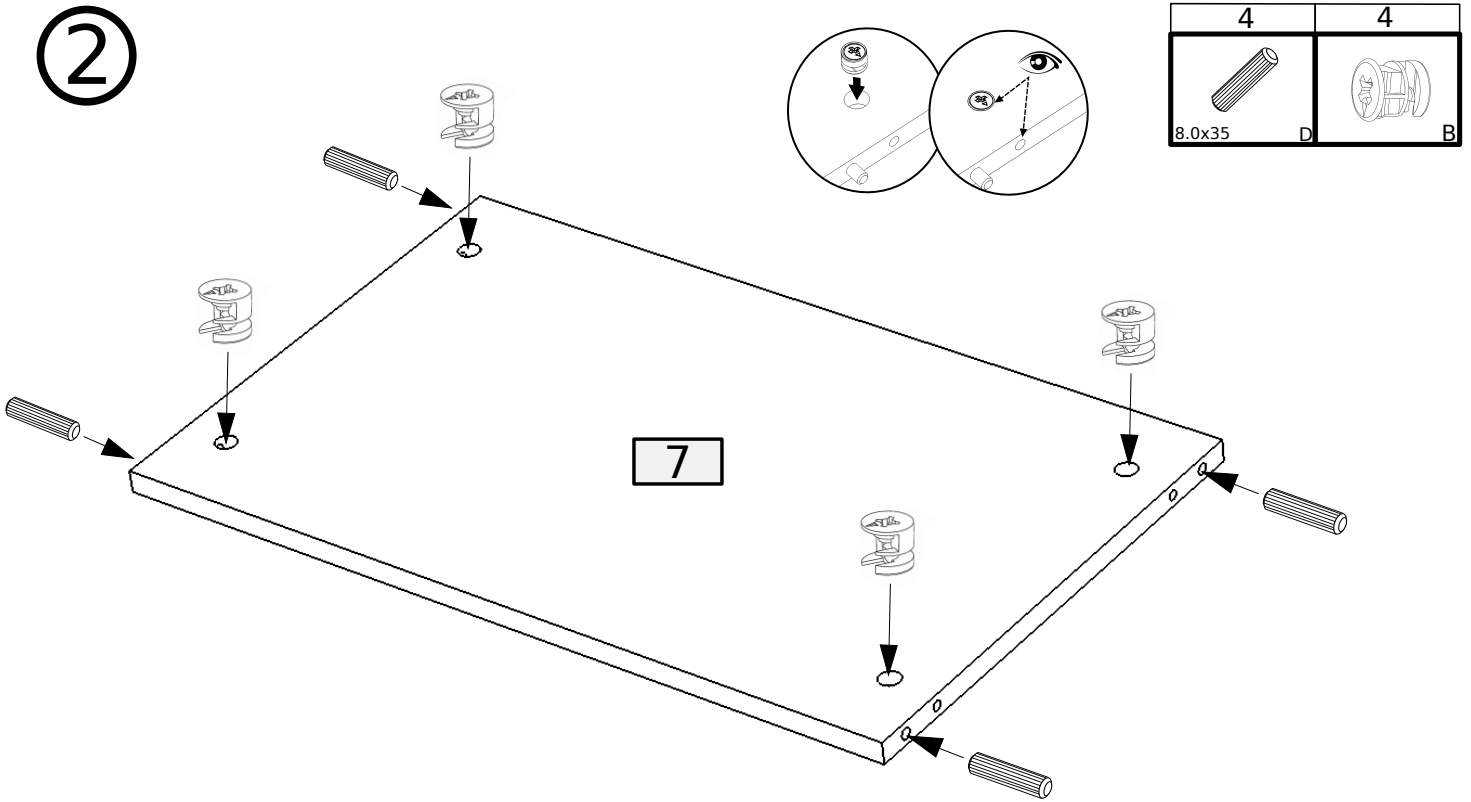
No.	Pcs.	L	W	D	Pac
1a	1	595	395	20	1/2
1b	2	595	140	20	1/2
2	1	600	400	16	1/2
3	1	398	278	16	1/2
4	1	398	278	16	1/2
5	1	566	278	16	1/2
6	1	566	135	16	1/2
7	1	566	365	16	1/2
8	1	600	400	65	2/2
9	1	350	110	16	1/2
10	1	509	91	16	1/2
11	1	350	110	16	1/2
12	1	524	357	3	1/2
13	1	562	137	16	1/2



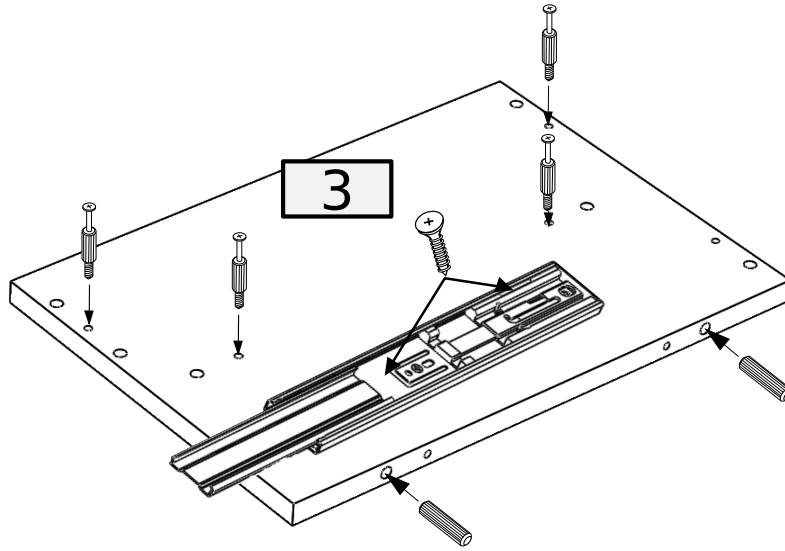
1



2

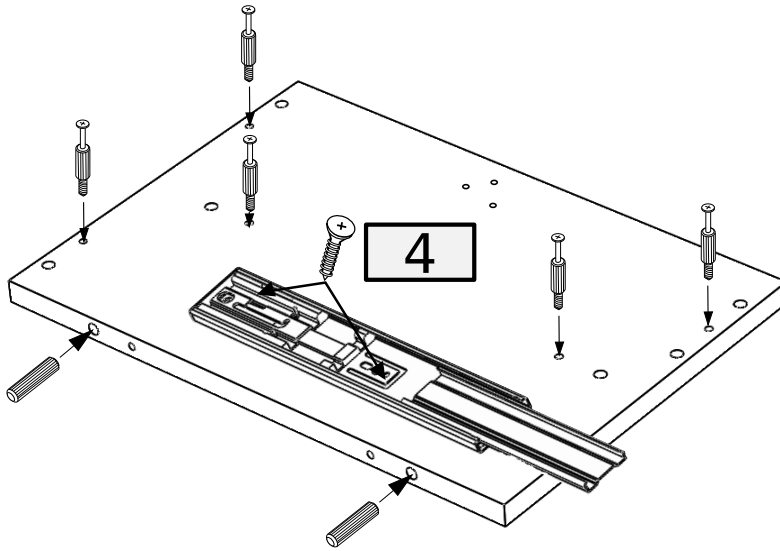


3



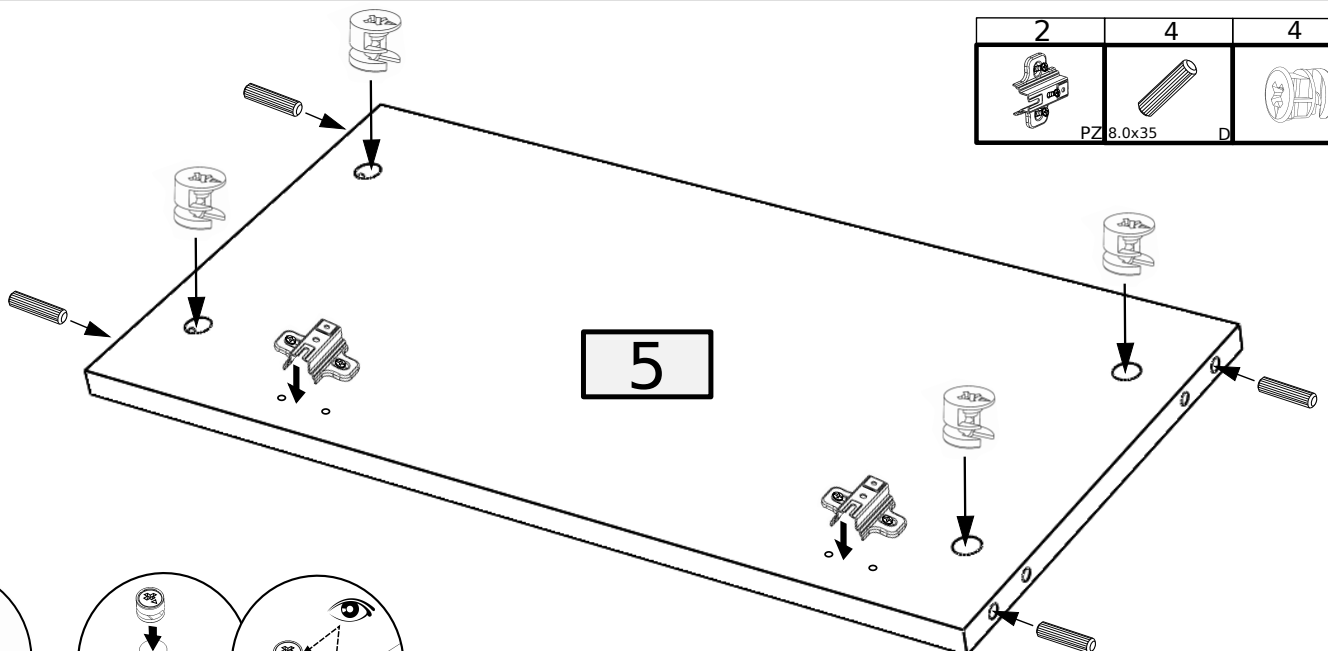
2	5
8.0x35	D A

4

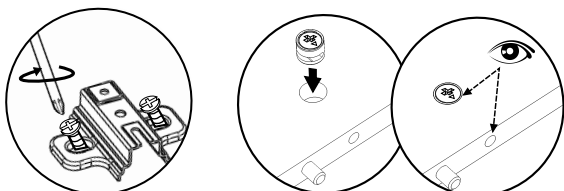


2	5
8.0x35	D A

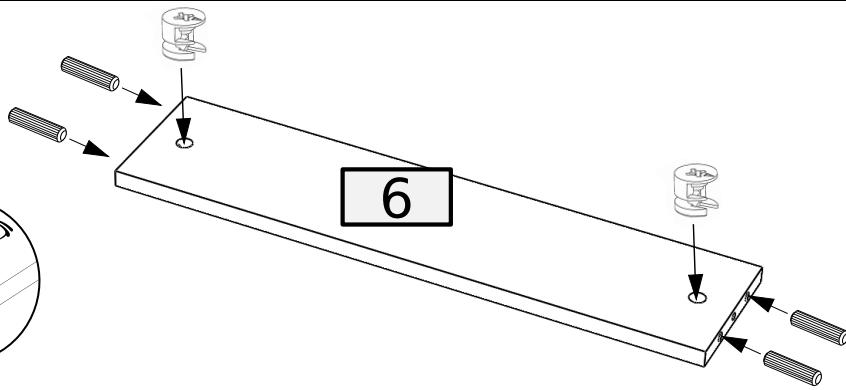
5





2	4	4
PZ	8.0x35	D B

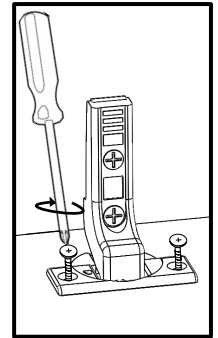
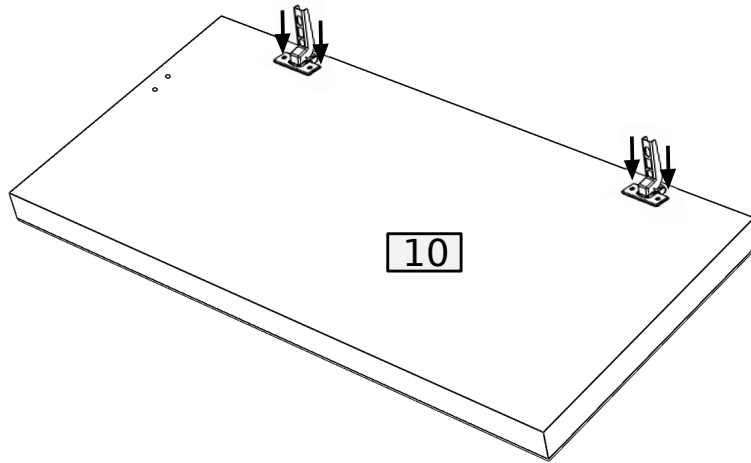



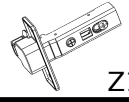
6



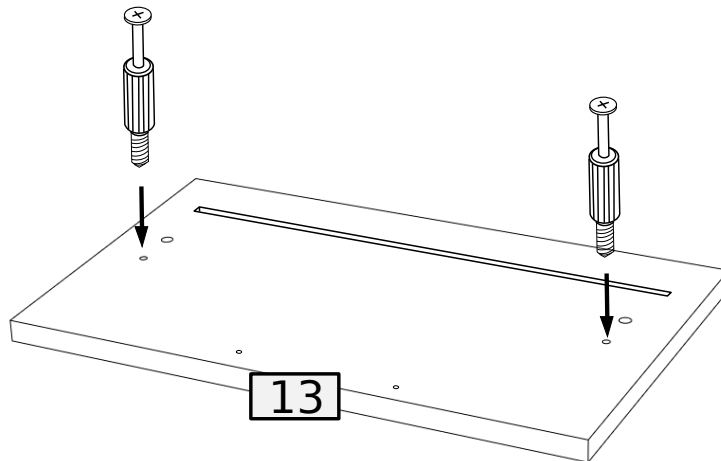
4	4
	
8.0x35	D B

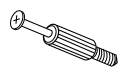
7



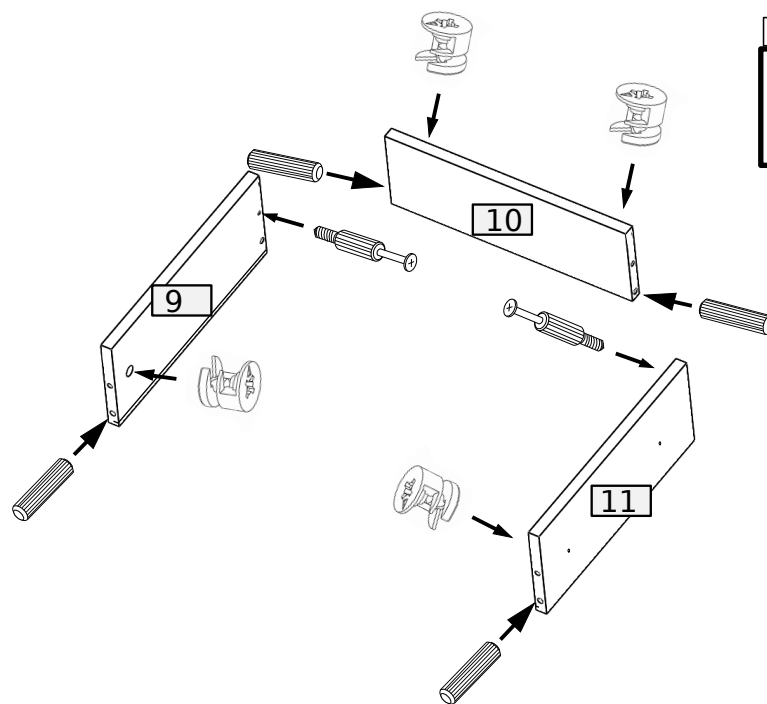
	
3.5x16 W2	Z1
4	2


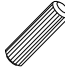
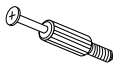
8



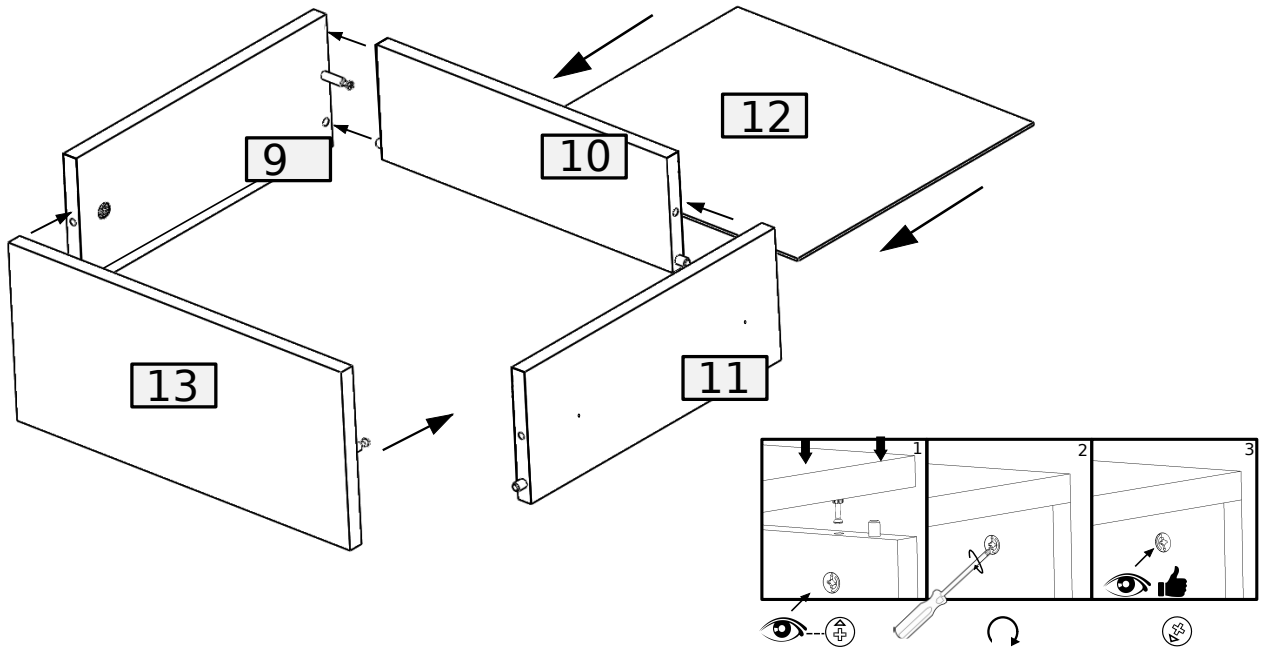
2

A

9

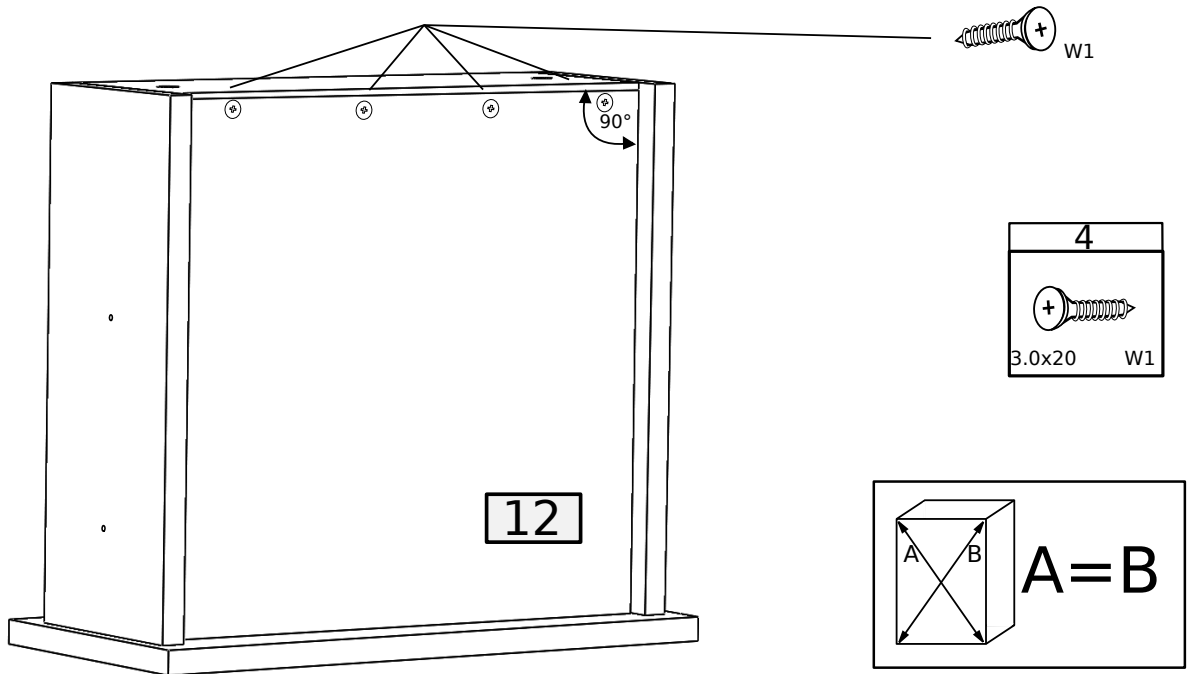


4	8	2
		
B	8.0x35	D A

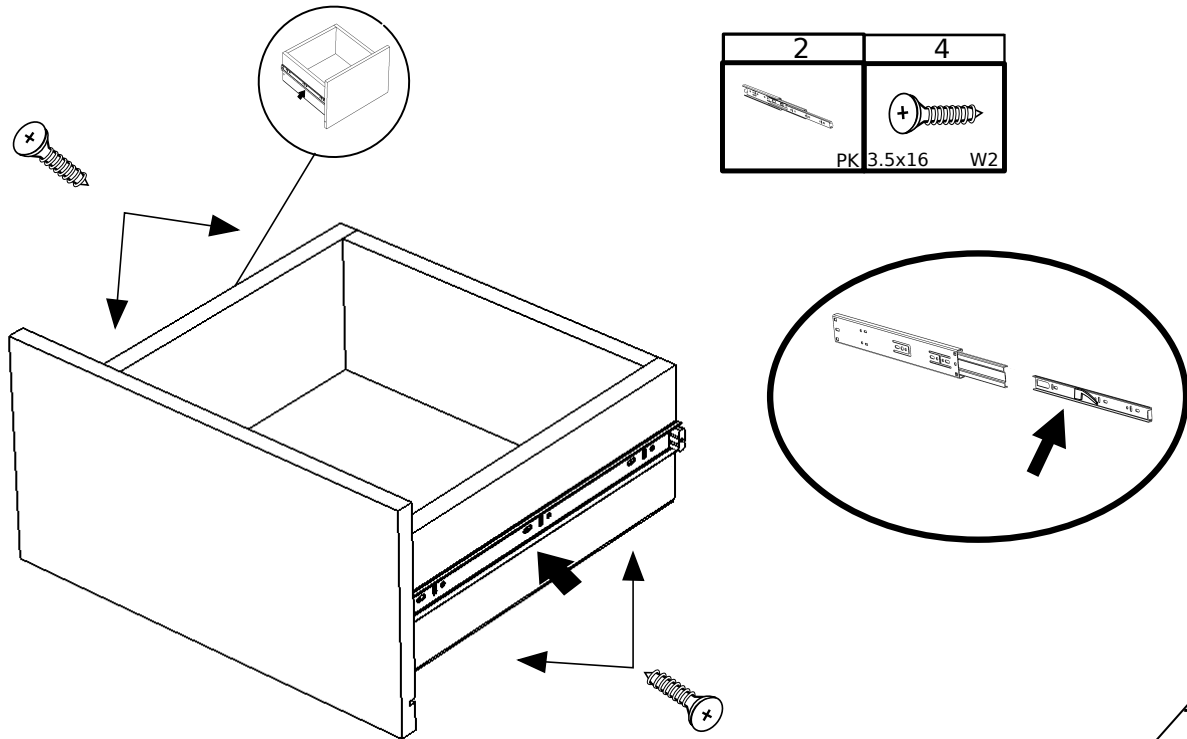
10



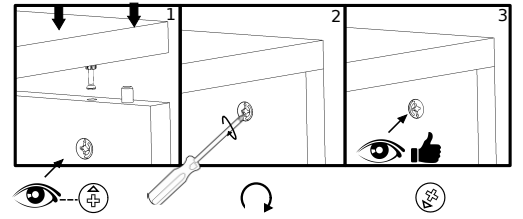
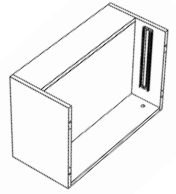
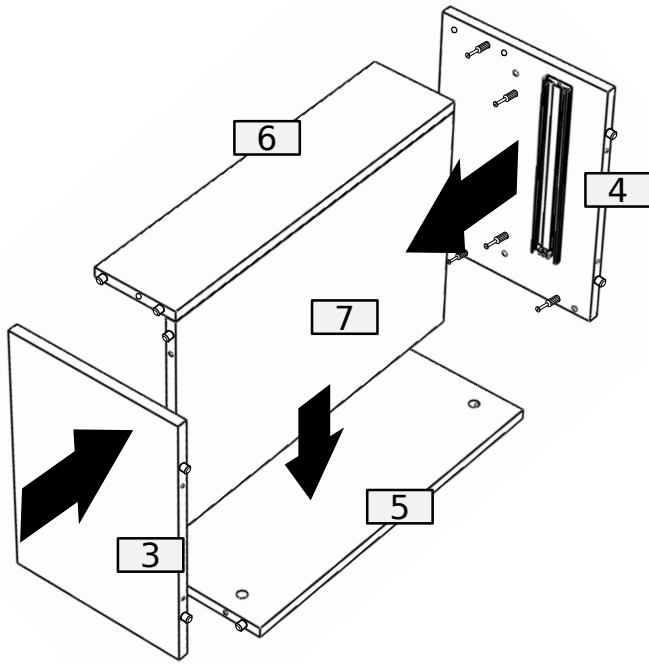
11



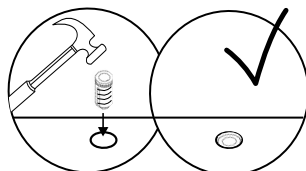
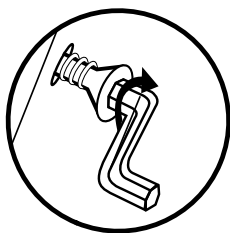
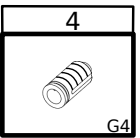
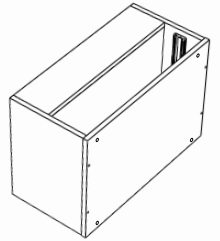
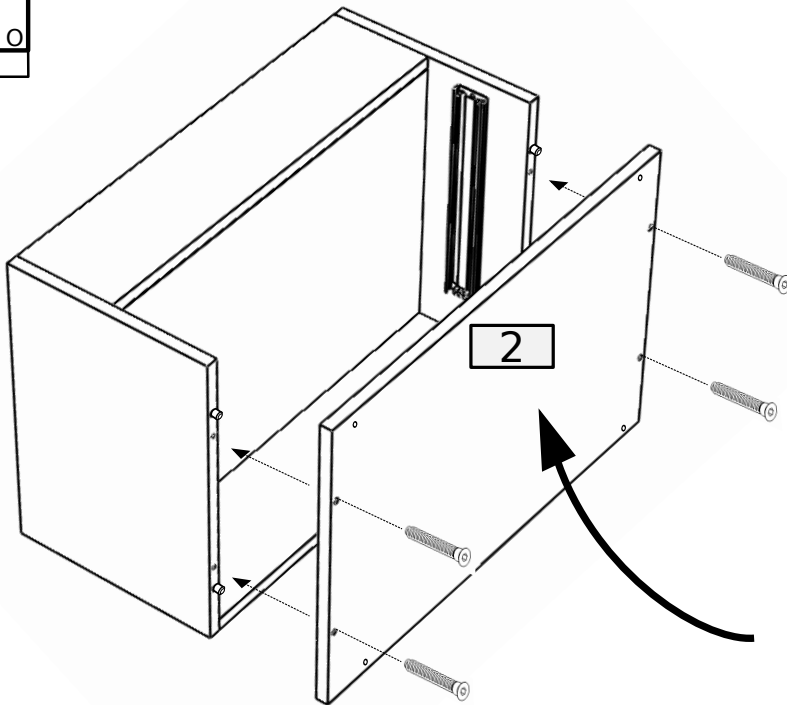
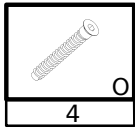
12



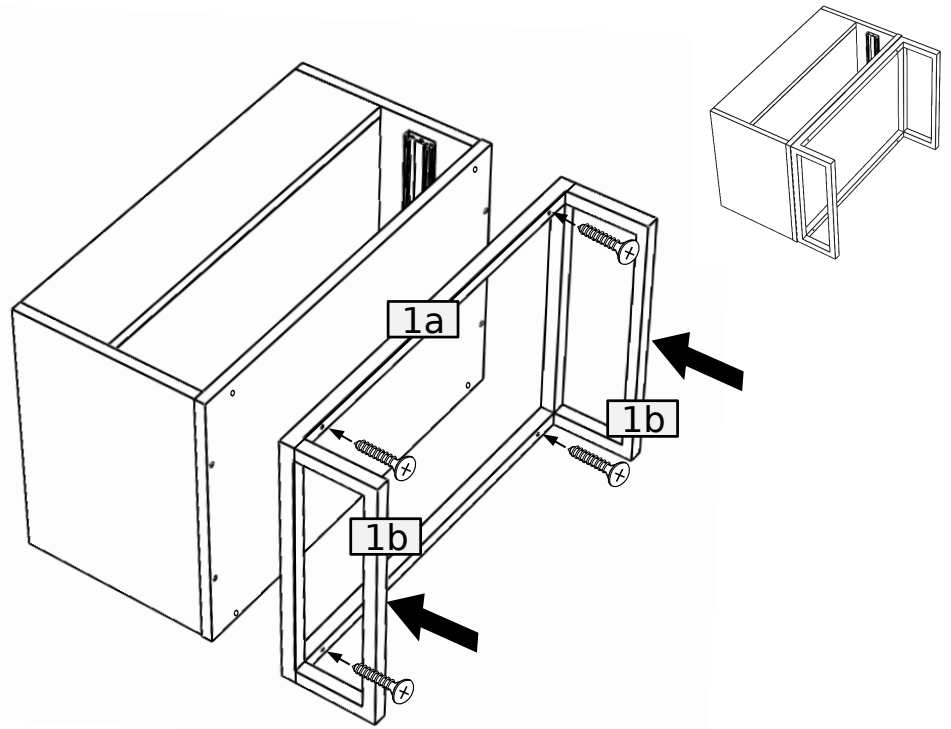
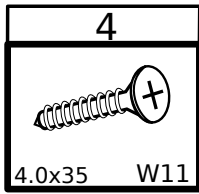
13



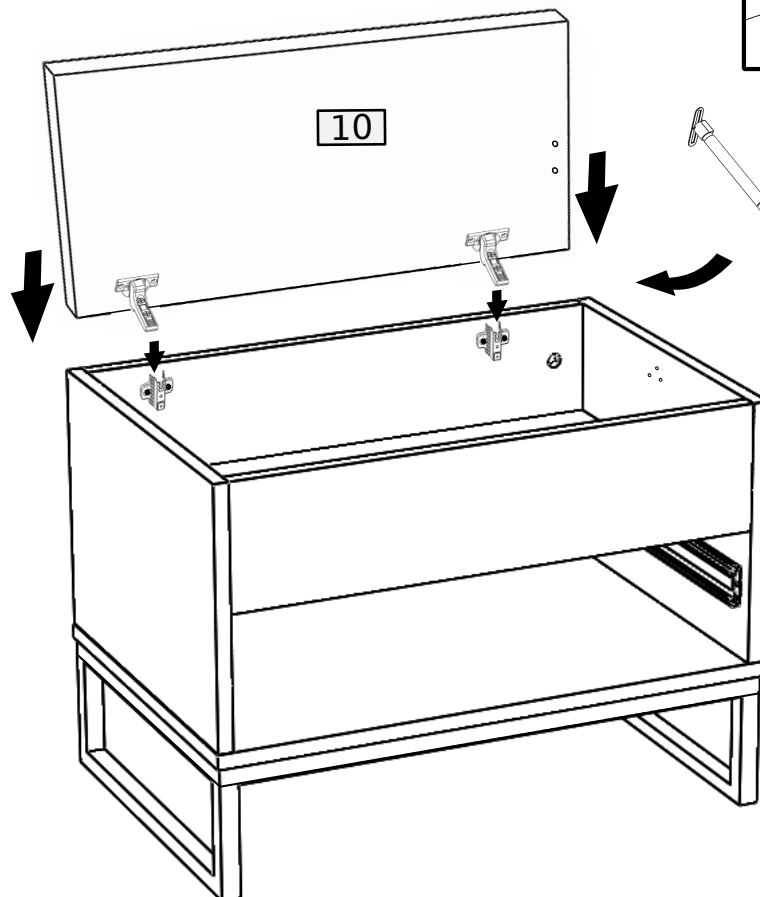
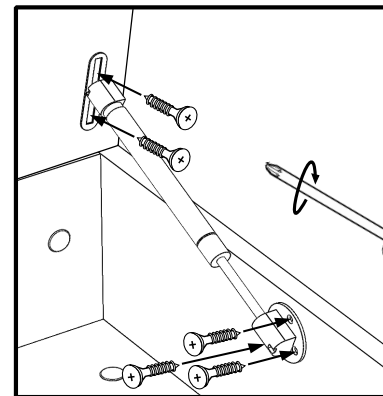
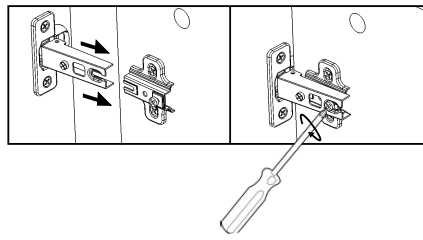
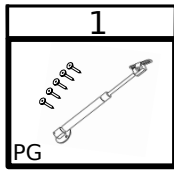
14



15



16



17

