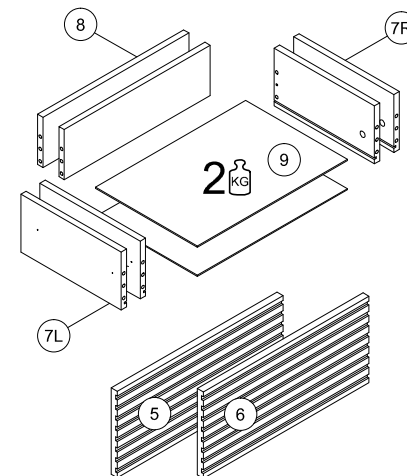
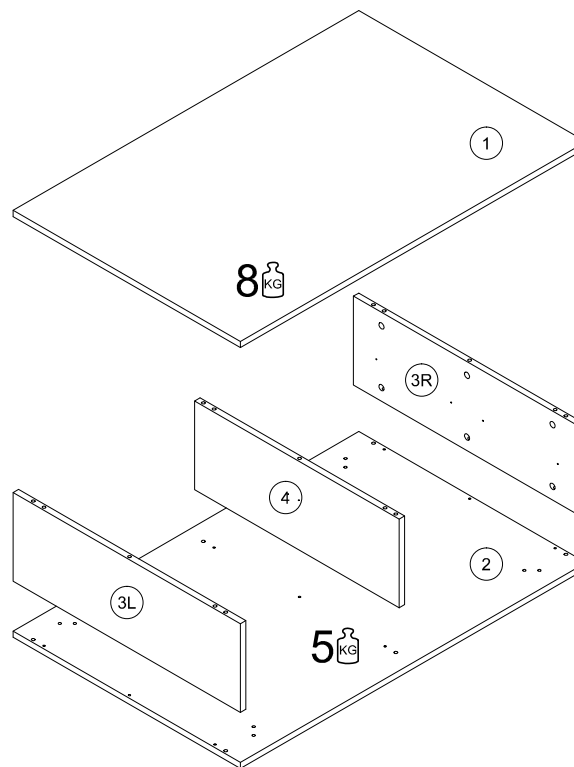
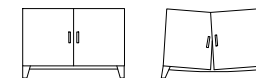


1.5 H

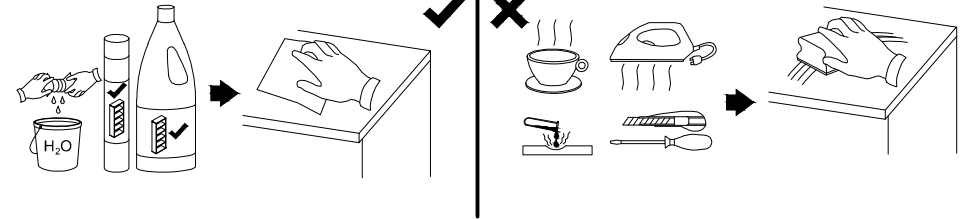
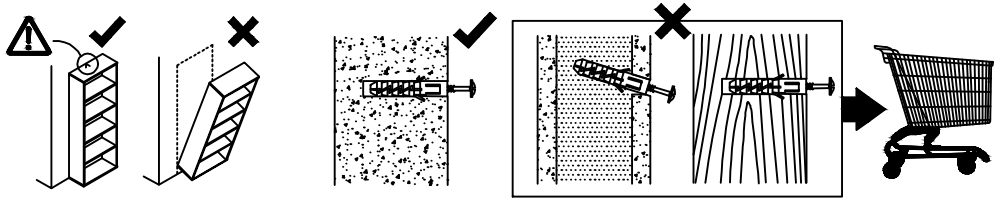
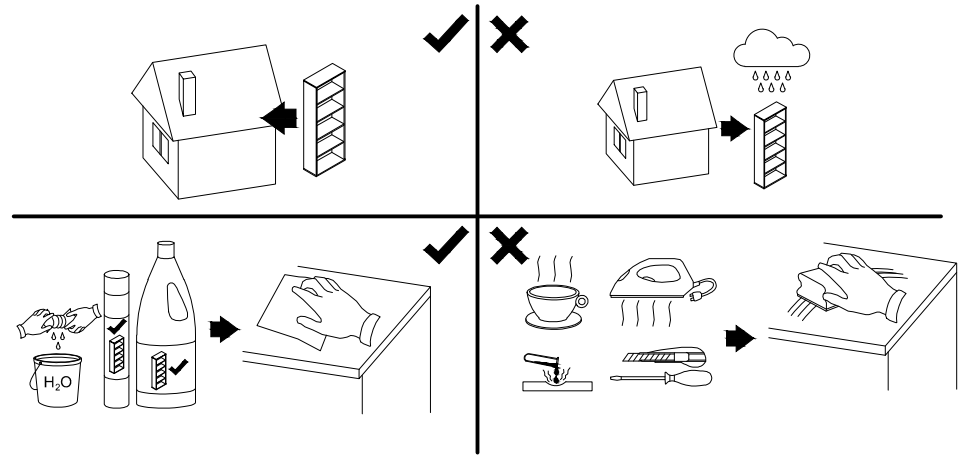
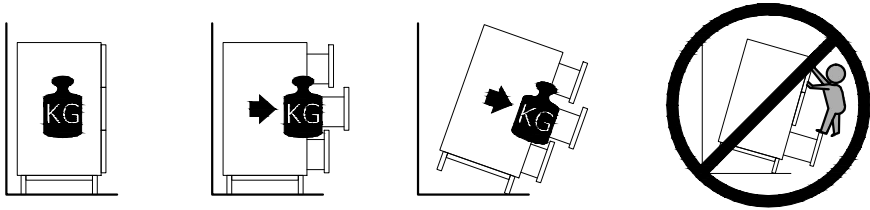


KG = 15 kg.

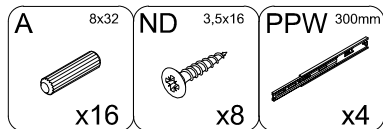
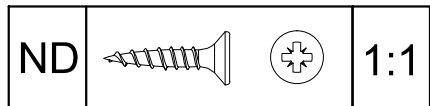
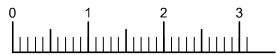
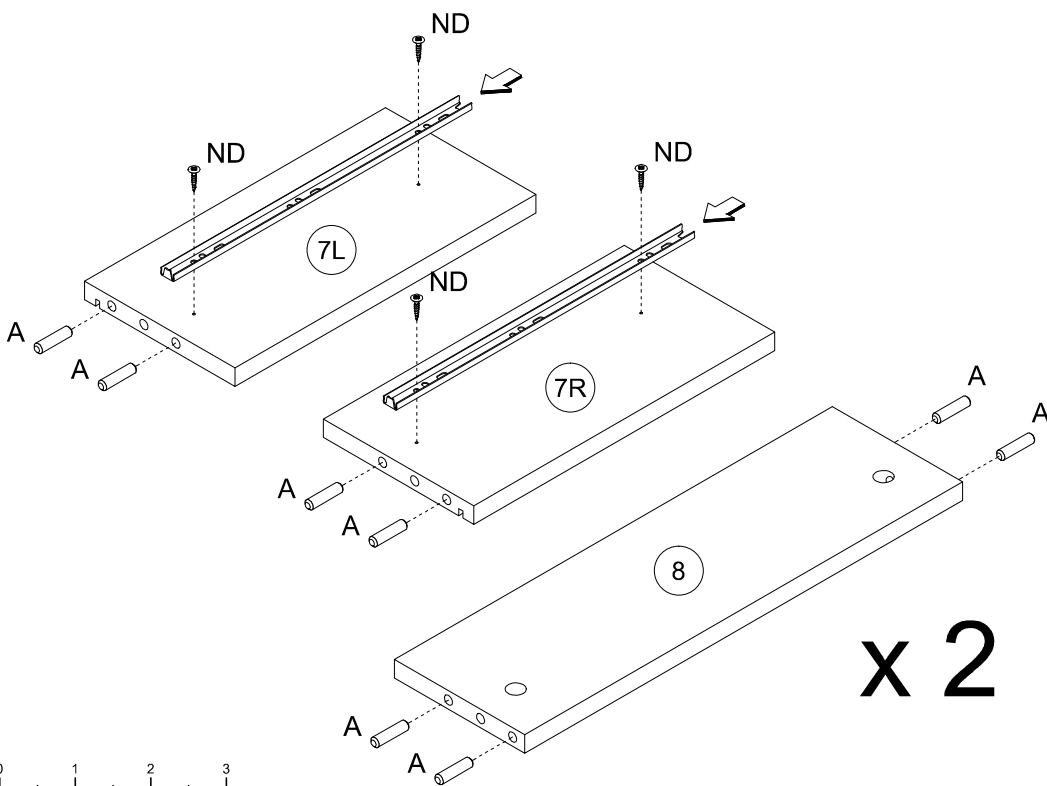
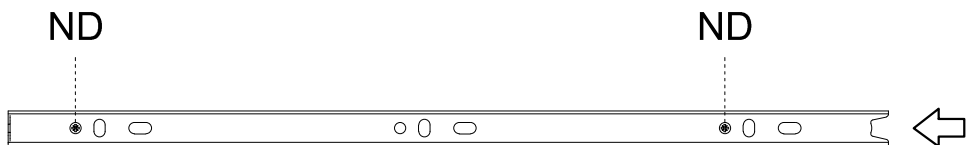
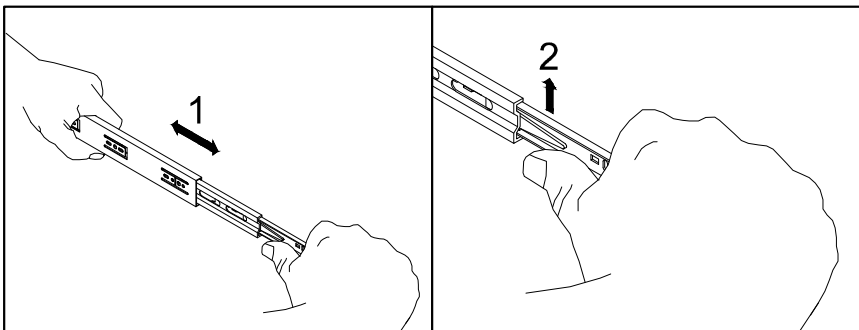


A	8x32				
	x28				
B		C	HD	KG	N
			6x30		3x20
	x26	x26	x8	x2	x10
ND	3,5x16	NGD	NS	PPW	Z
			3,5x13	300mm	
	x16	x4	x4	x4	x10

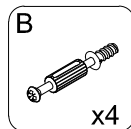
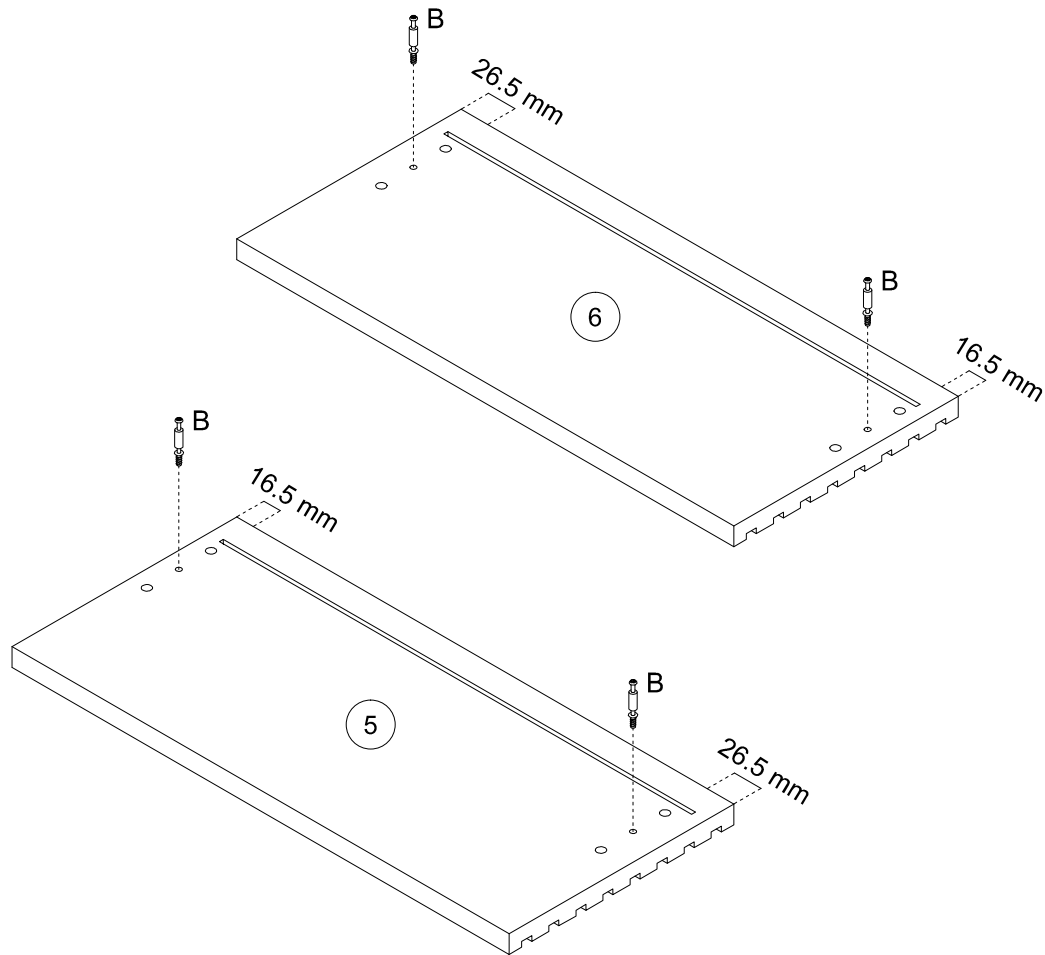
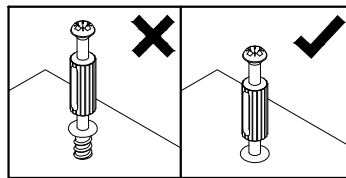
1	1035	680	16	x2	1 / 1
3L	680	230	16	x1	1 / 1
3R	680	230	16	x1	1 / 1
4	612	230	16	x1	1 / 1
5	496	224	18	x1	1 / 1
6	496	224	18	x1	1 / 1
7L	300	150	16	x2	1 / 1
7R	300	150	16	x2	1 / 1
8	437	130	16	x2	1 / 1
9	449	306	3	x2	1 / 1



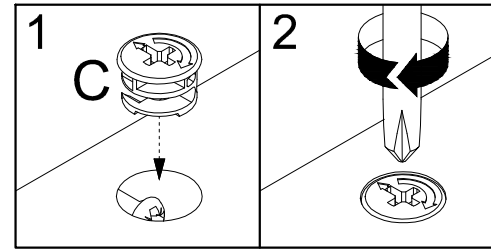
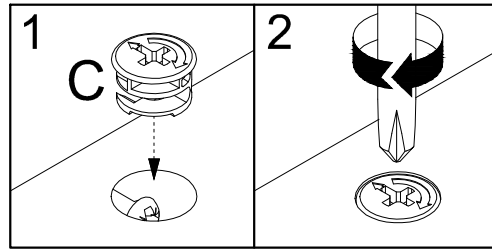
1



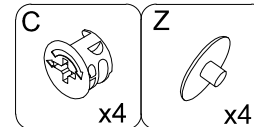
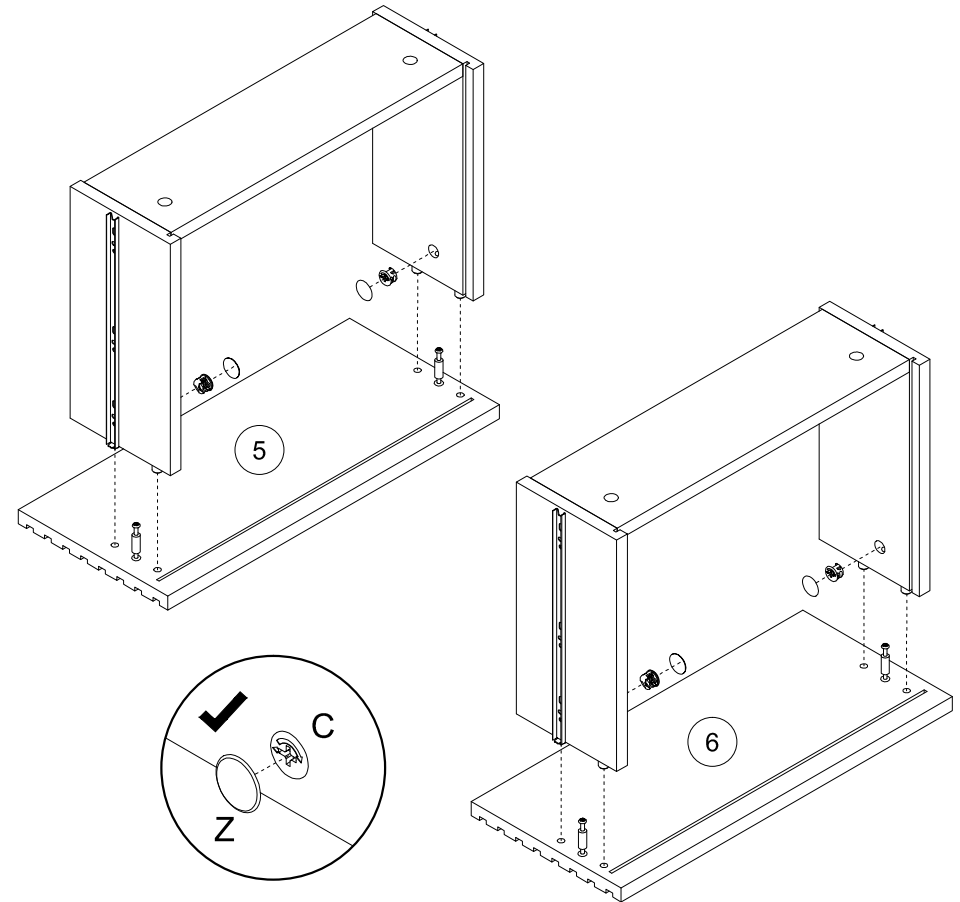
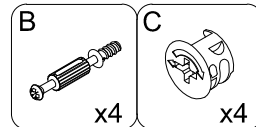
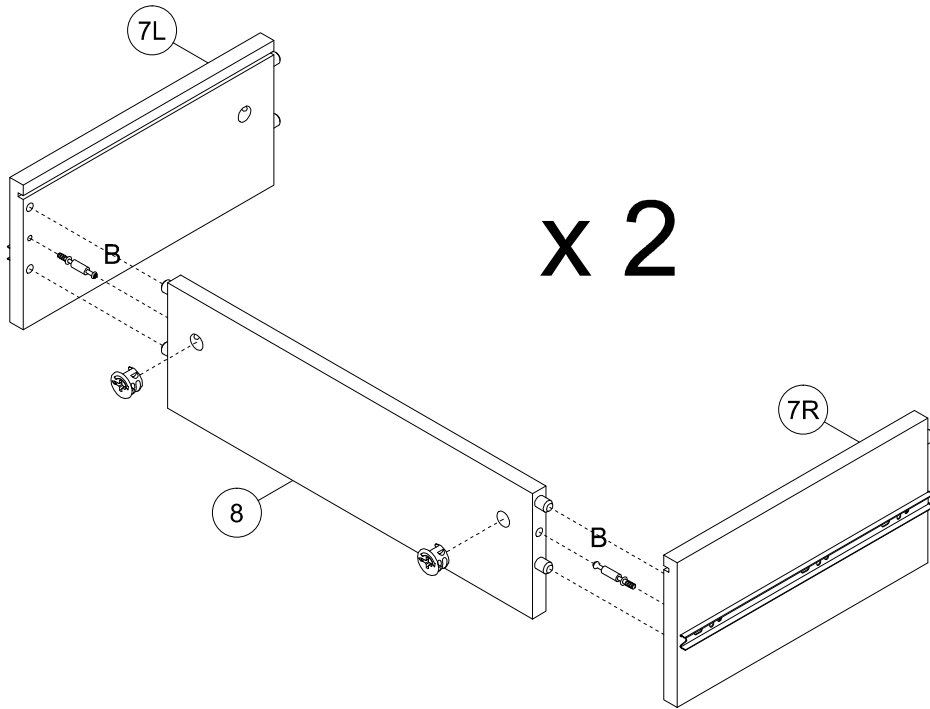
2



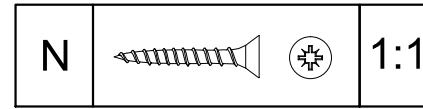
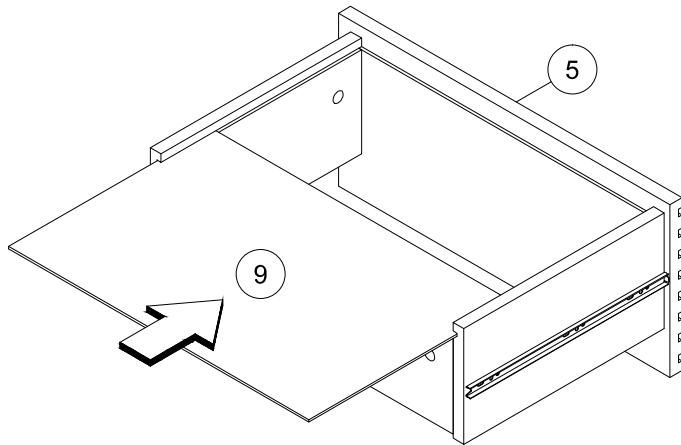
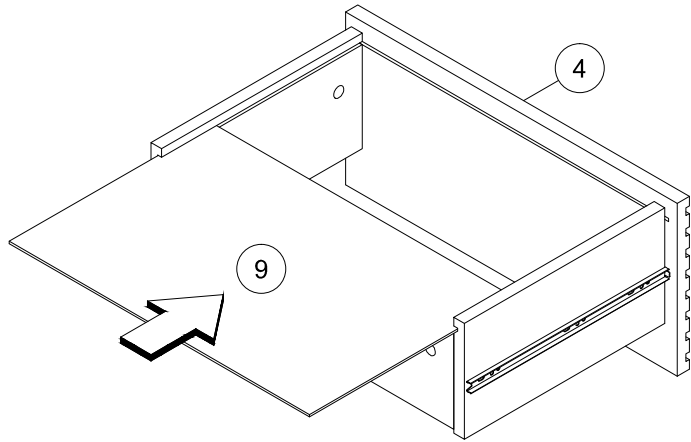
3



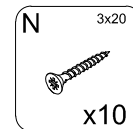
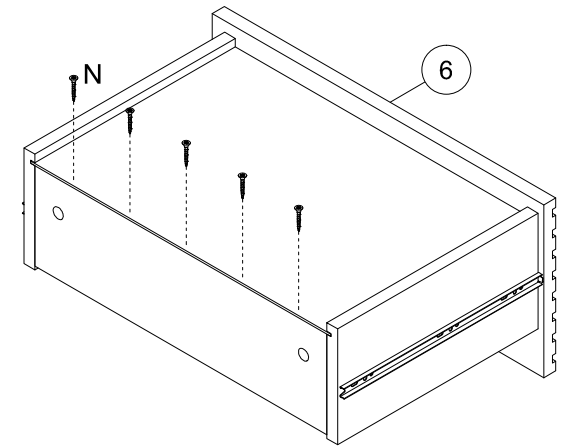
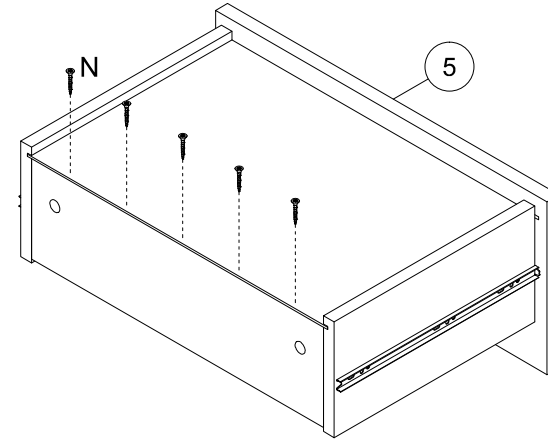
4



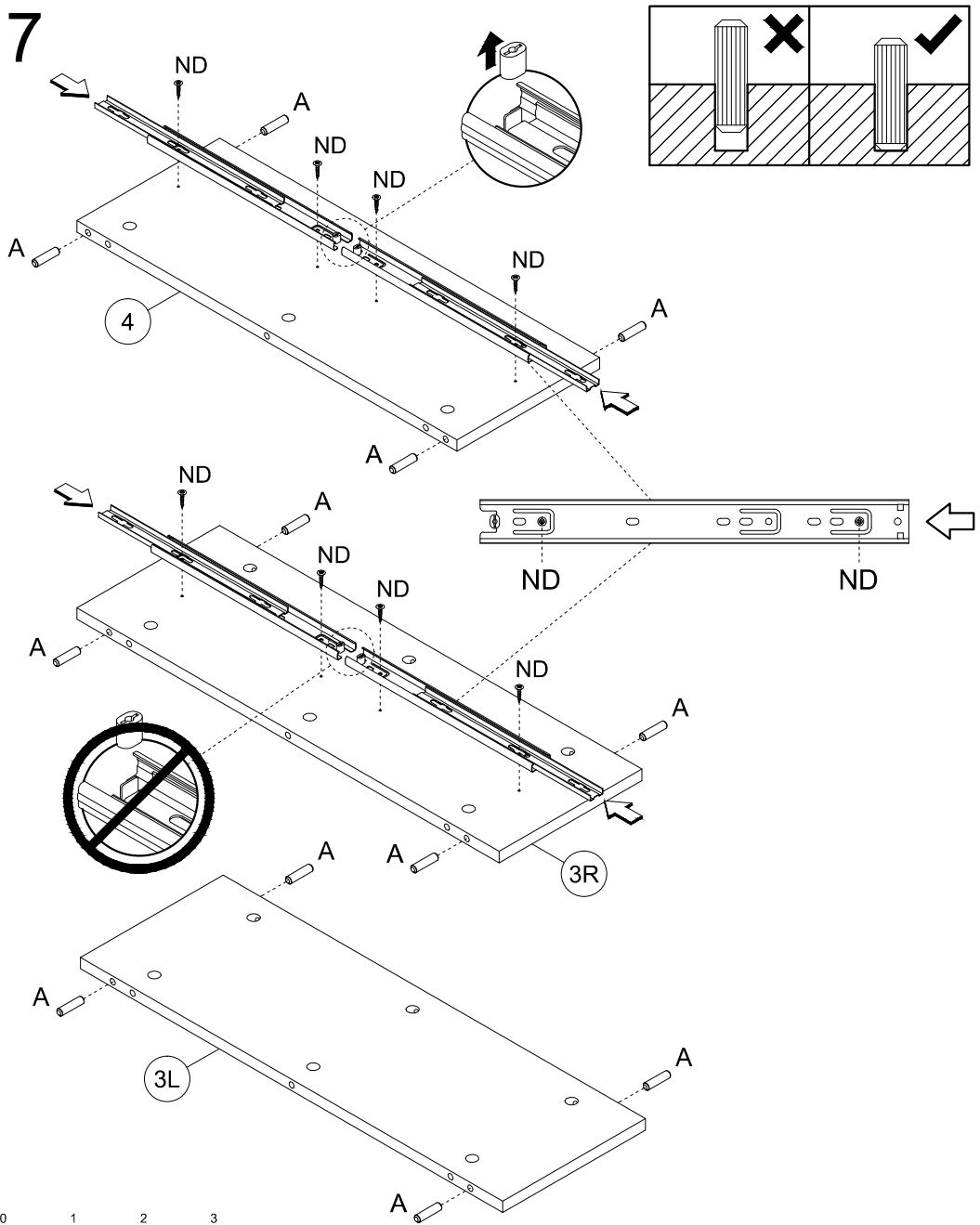
5



6



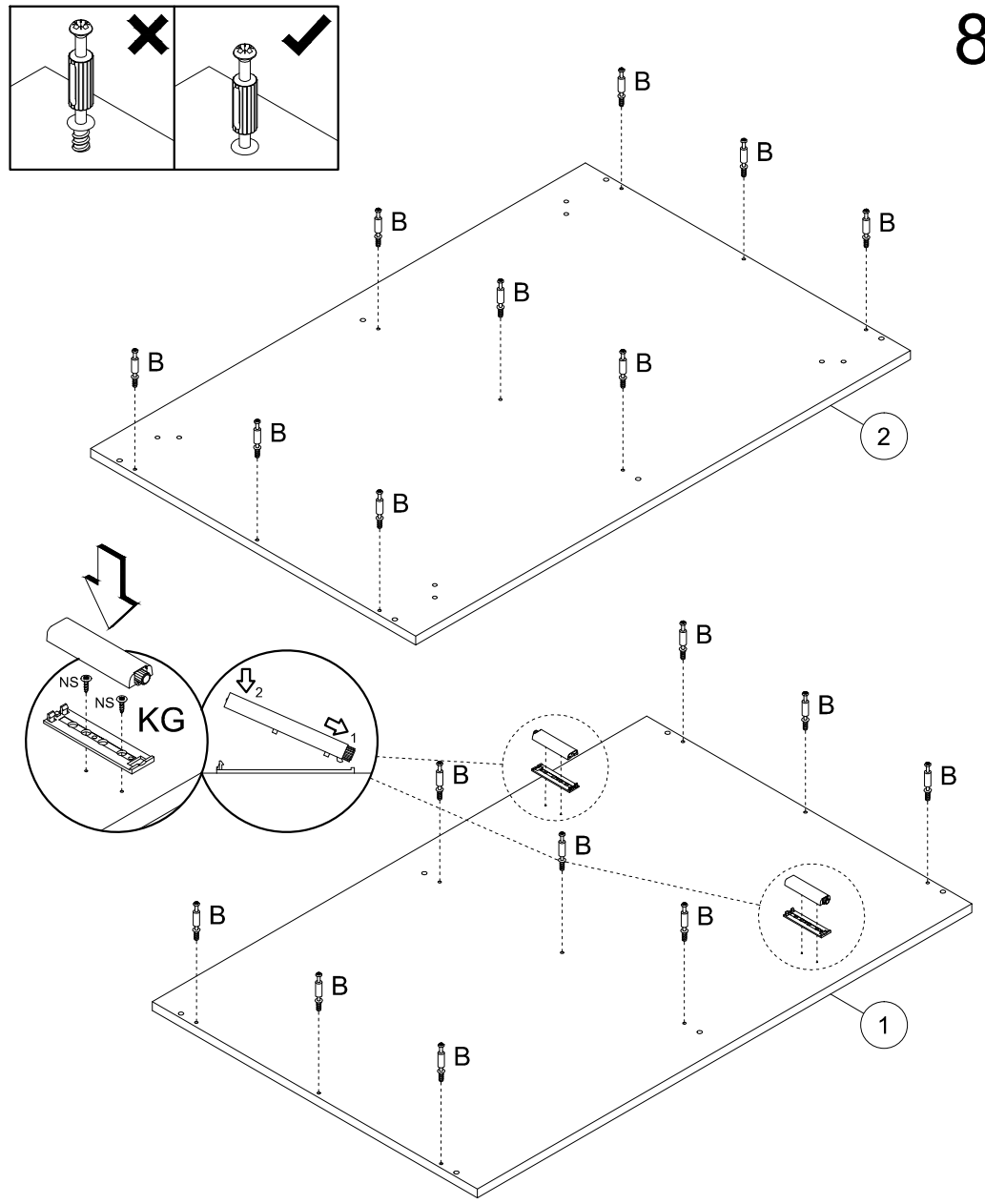
7



ND			1:1
----	--	--	-----

A	8x32	ND	3,5x16	PPW	300mm
	x12		x8		x4

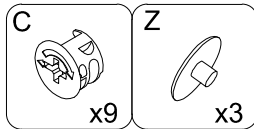
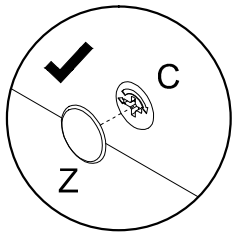
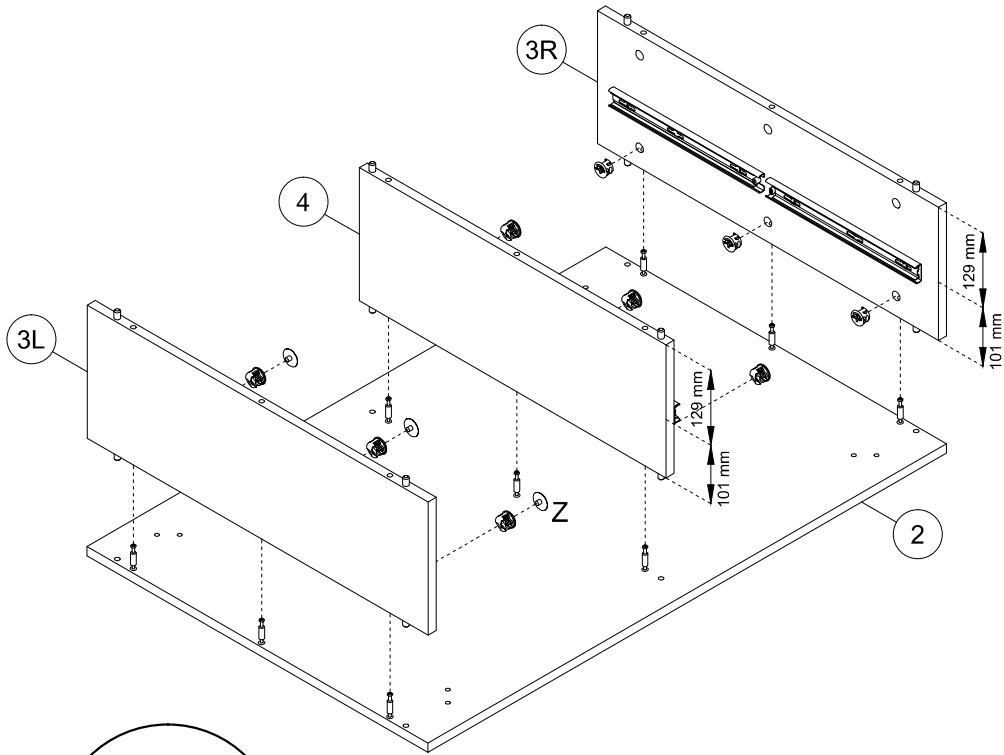
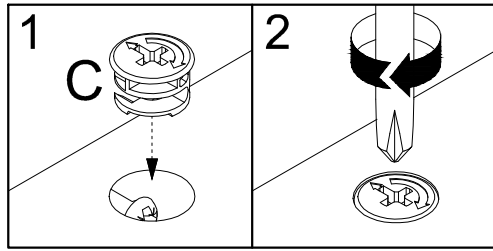
8



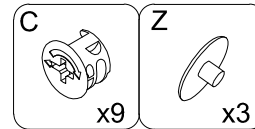
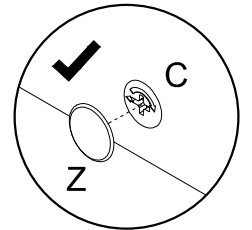
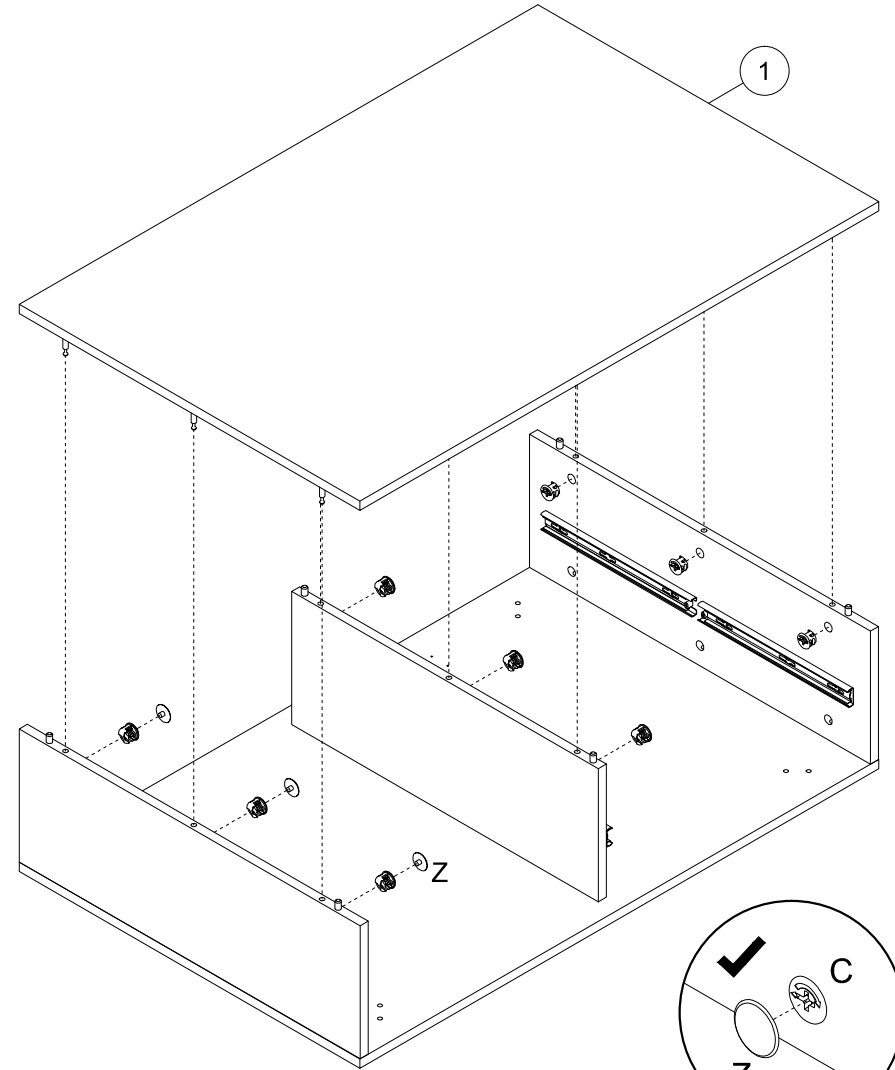
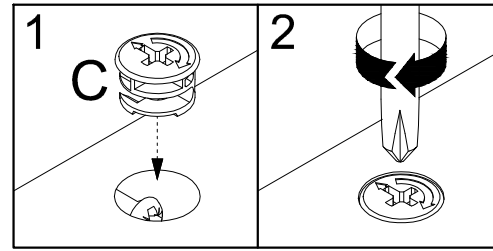
B	KG	NS	3,5x13
x18	x2	x4	

NS			1:1
----	--	--	-----

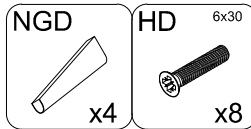
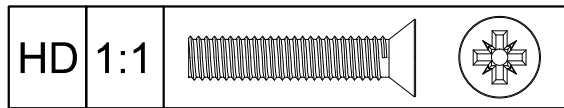
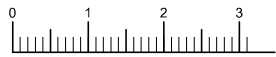
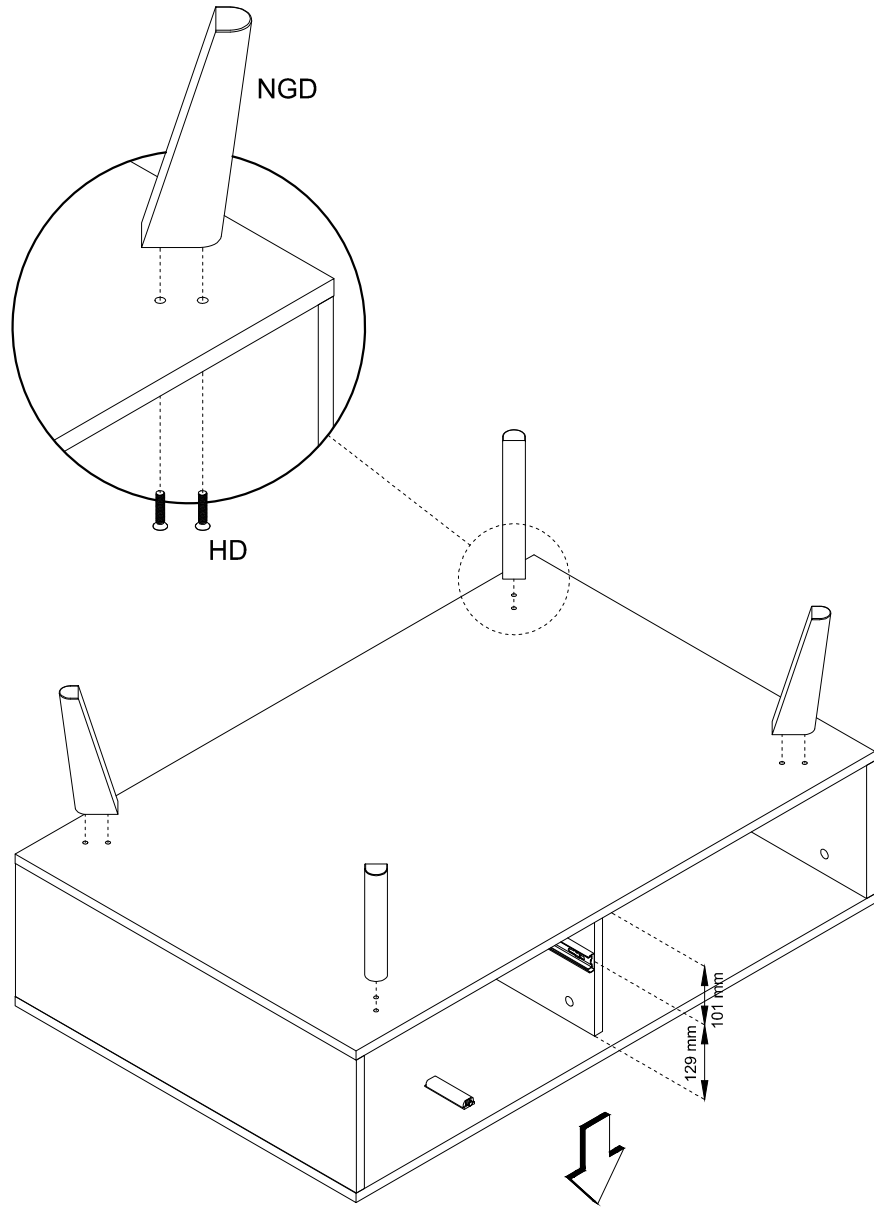
9



10



11



12

