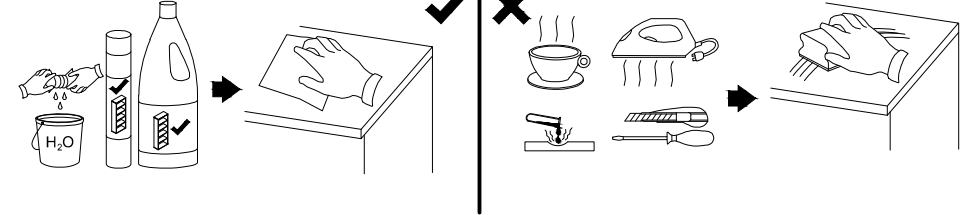
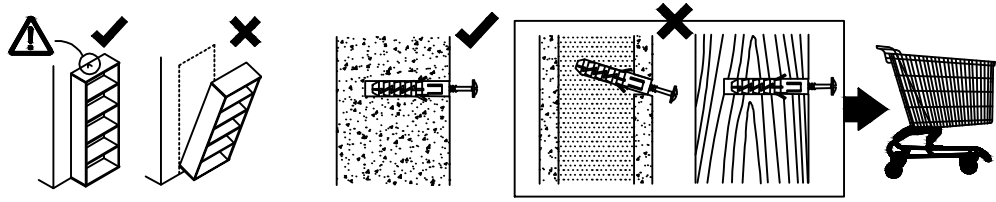
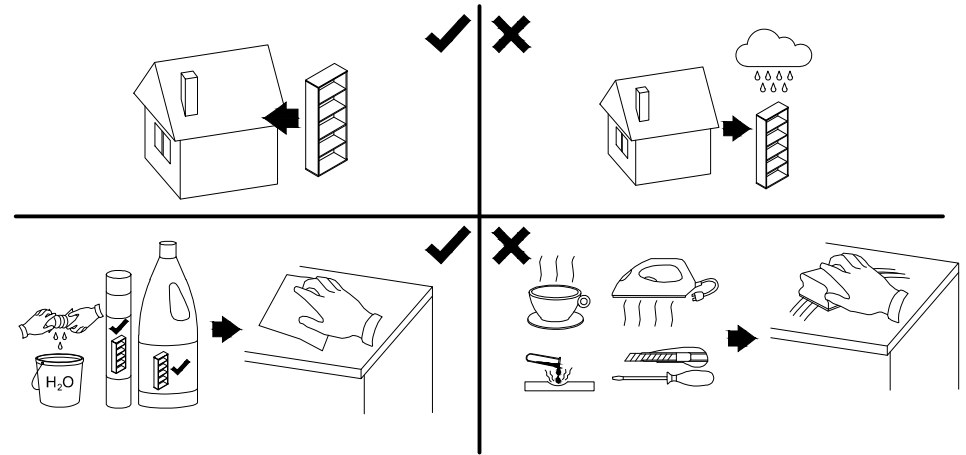
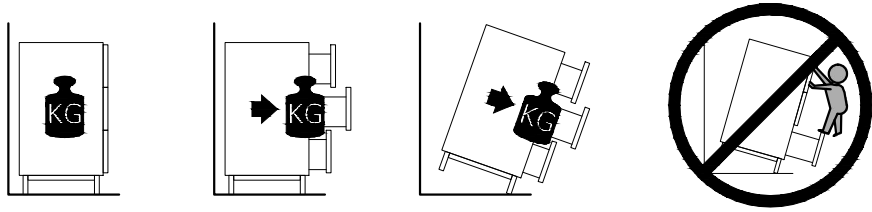
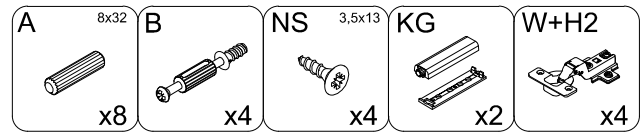
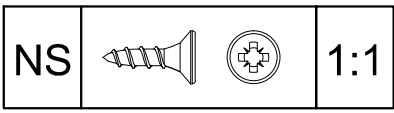
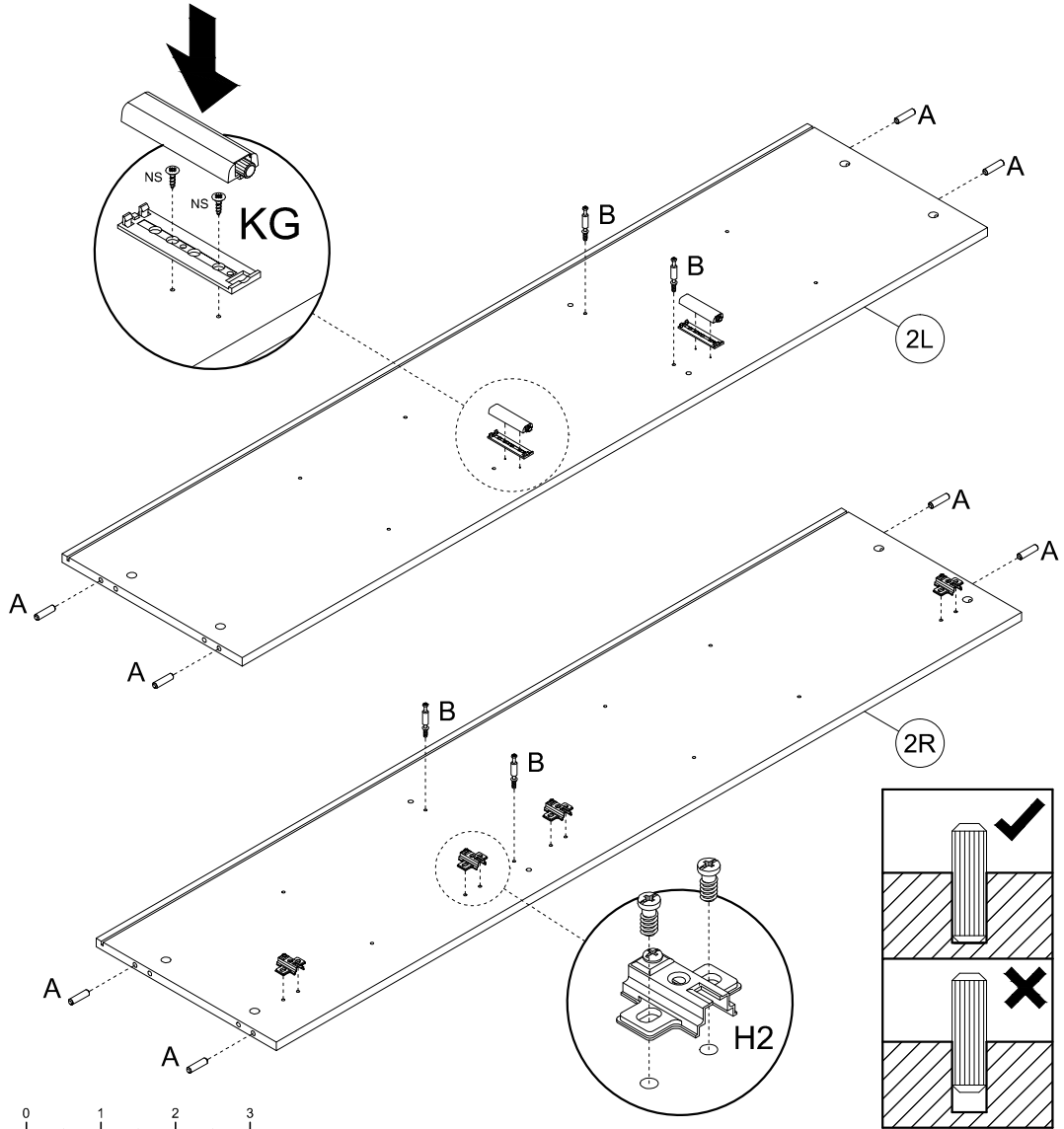
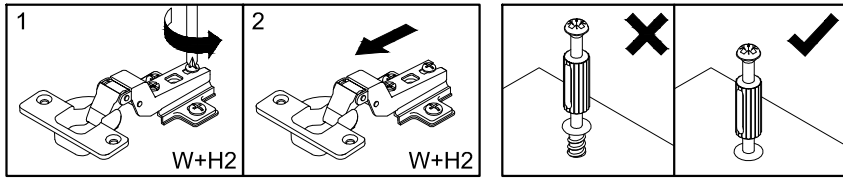


A 8x32 x12	AB 8x38 x8			
B x12	C x12	GLUE x1	KG x2	N 3x20 x5
ND 3,5x16 x17	NS 3,5x13 x4	NF 4,5x16 x16	TA x1	W+H2 x4
X x12	X1 x8	Z x8	ZE x8	ZZ x4

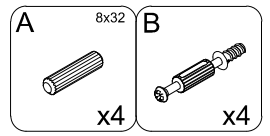
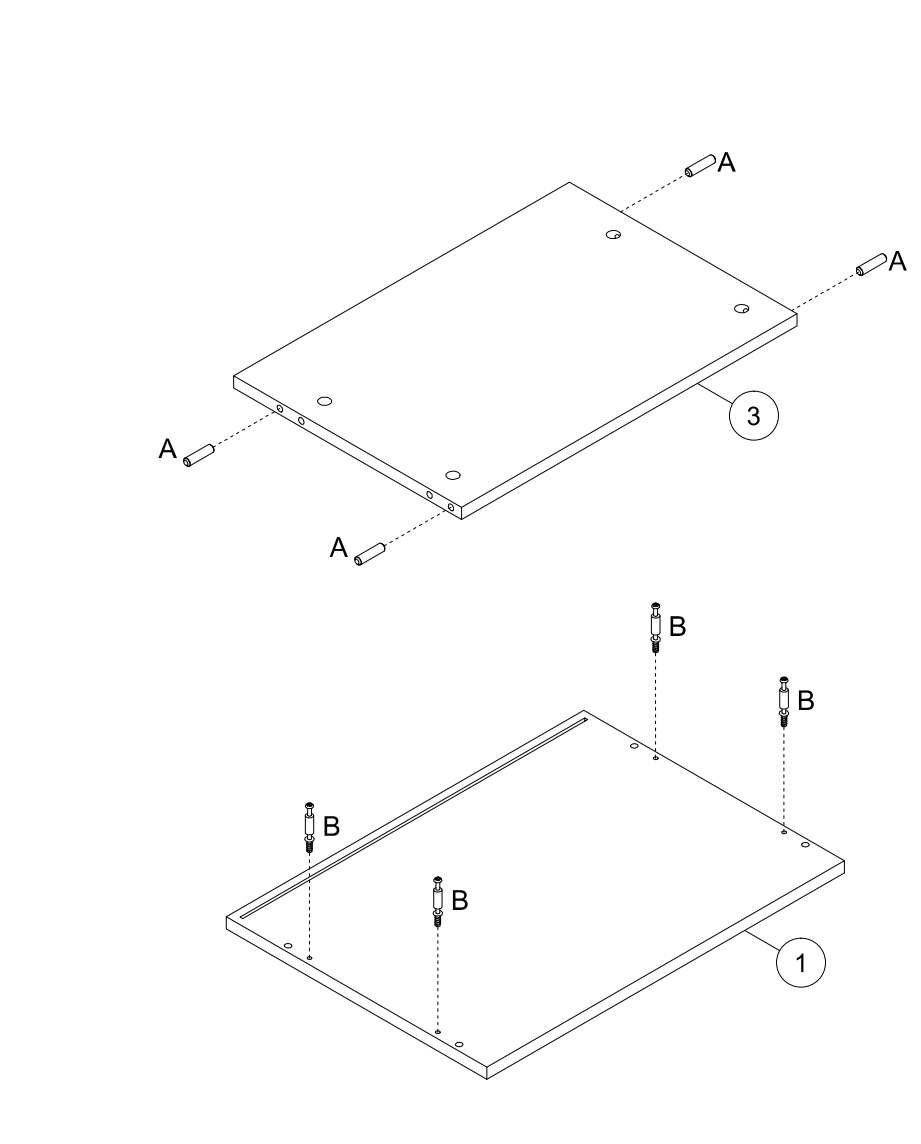
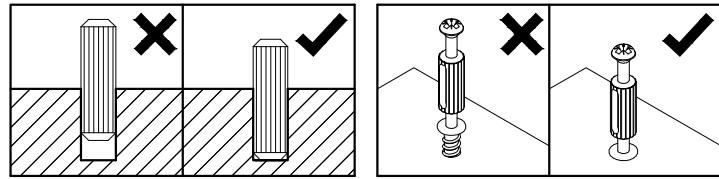
1	535	390	16	x2	2 / 2
2L	1614	390	16	x1	2 / 2
2R	1614	390	16	x1	2 / 2
3	502	341	16	x1	2 / 2
4	502	320	16	x1	2 / 2
5	496	165	16	x1	2 / 2
6	680	80	16	x2	2 / 2
7	496	165	16	x1	2 / 2
8	496	594	16	x1	2 / 2
9	1626	515	2.5	x1	2 / 2
S1	501	320	4	x2	2 / 2
S2	712	365	4	x1	2 / 2



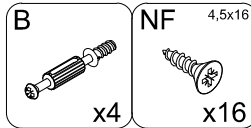
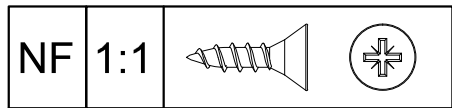
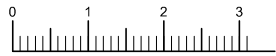
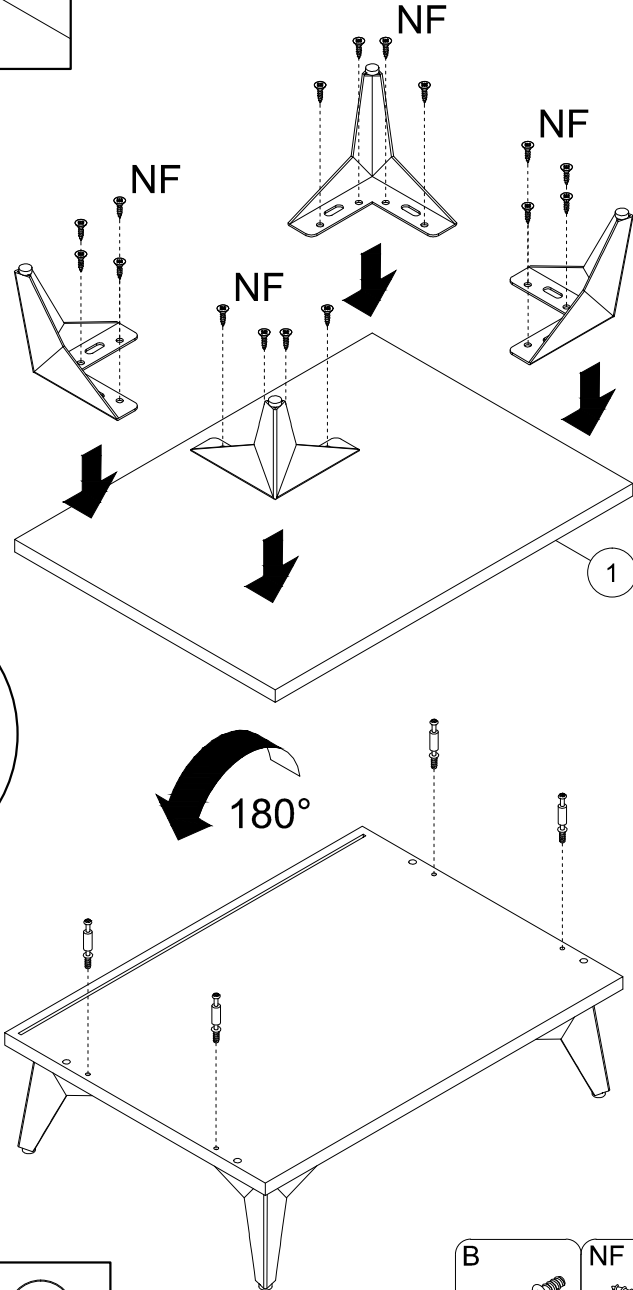
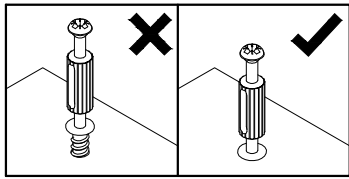
1



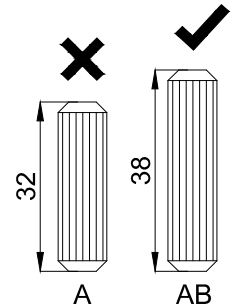
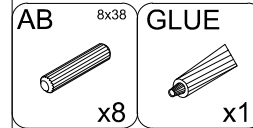
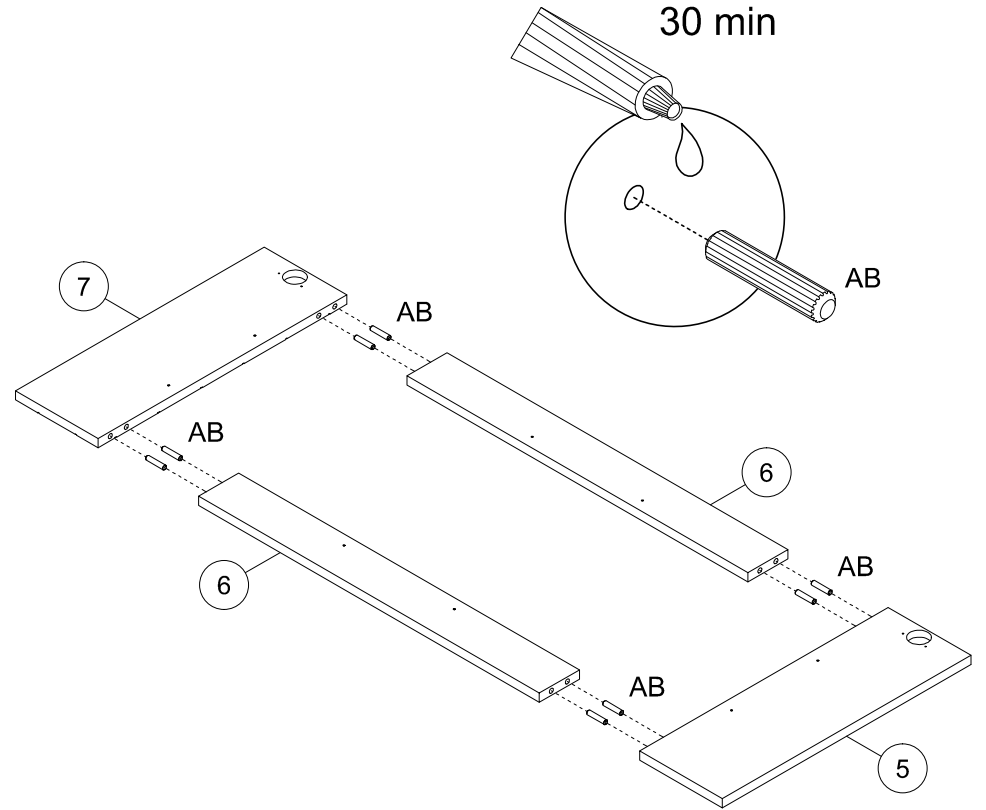
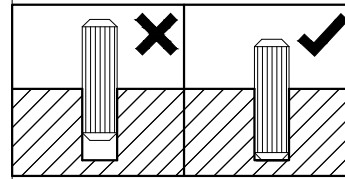
2



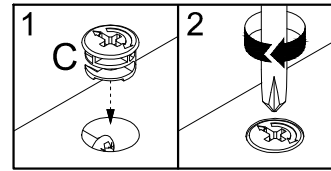
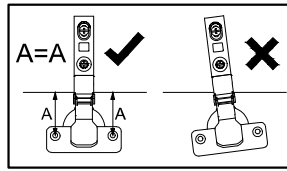
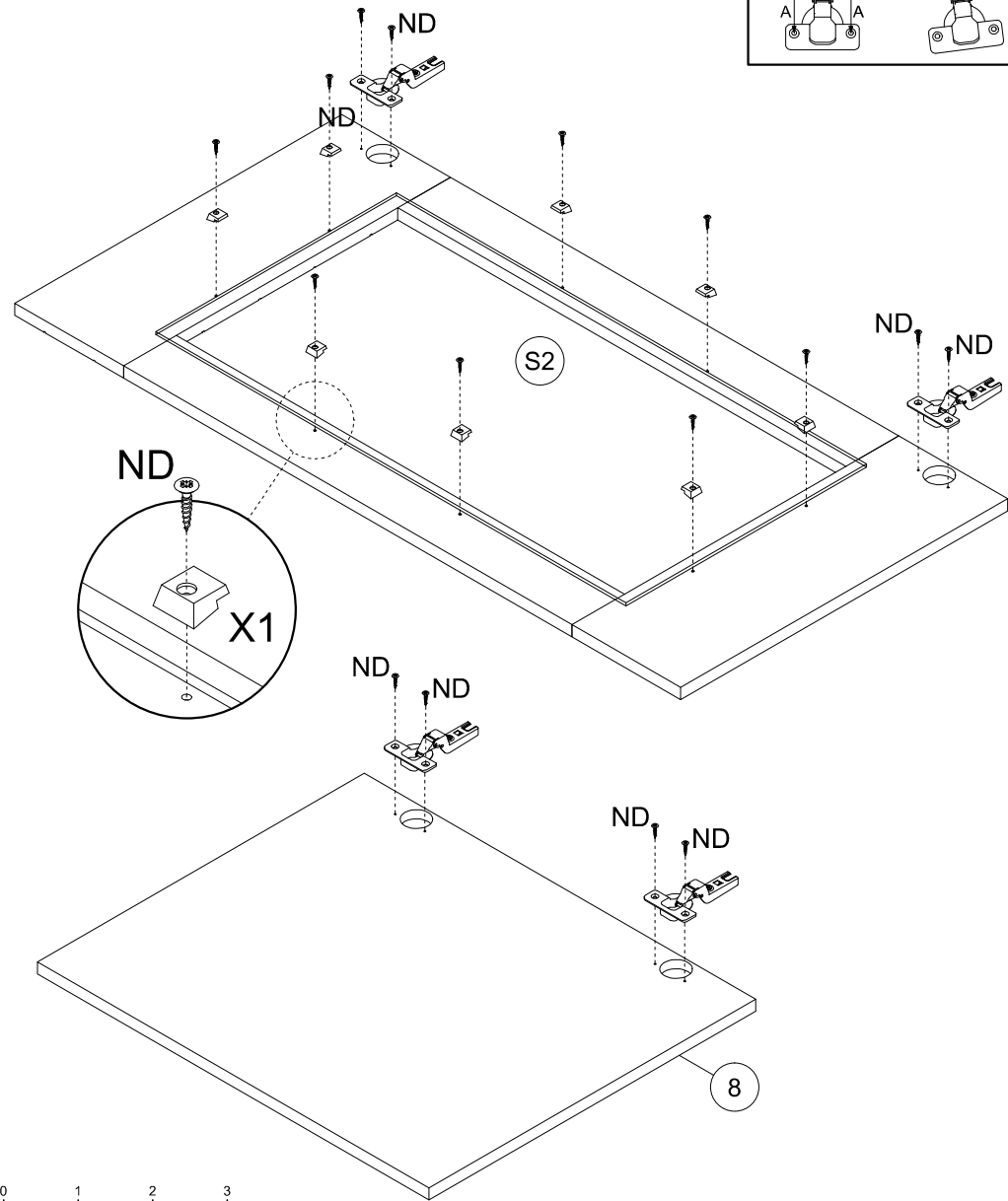
3



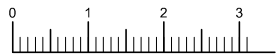
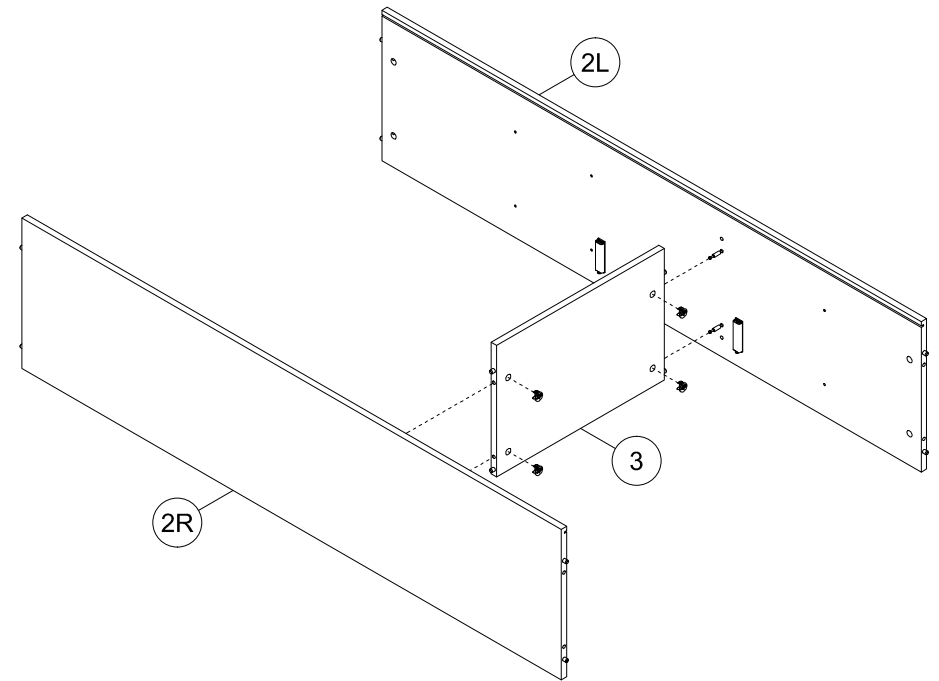
4



5



6

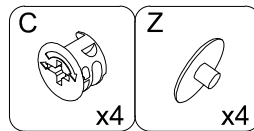
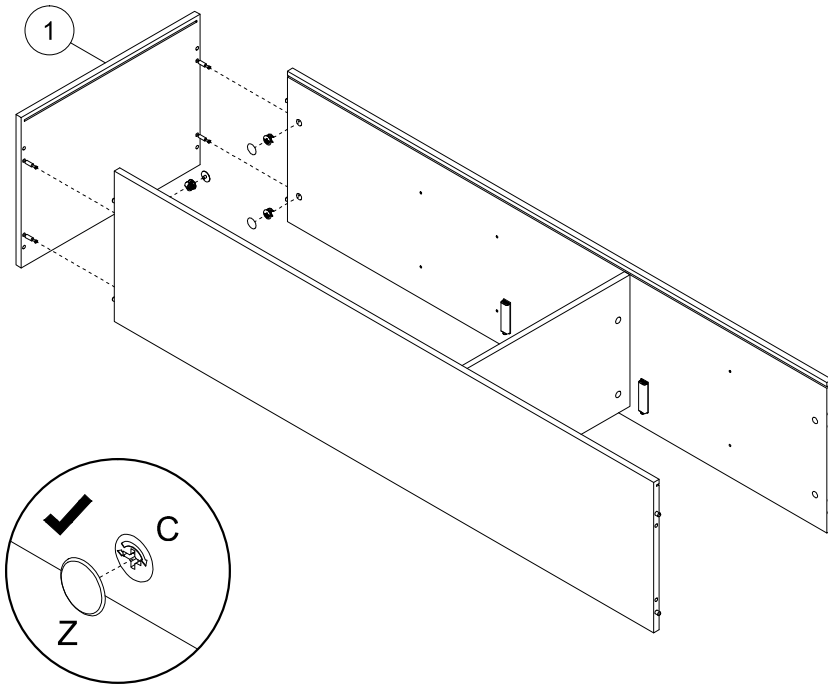
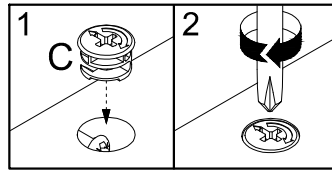


ND			1:1
----	--	--	-----

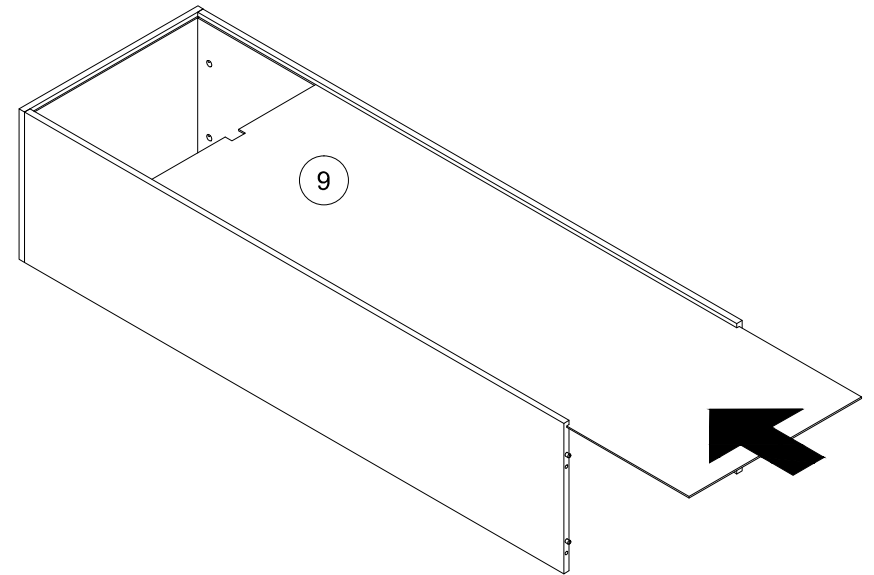
ND <sup>3,5x16</sup>	W+H2	X1
x16	x4	x8

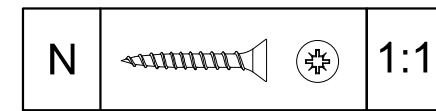
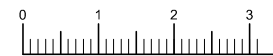
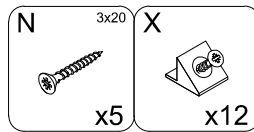
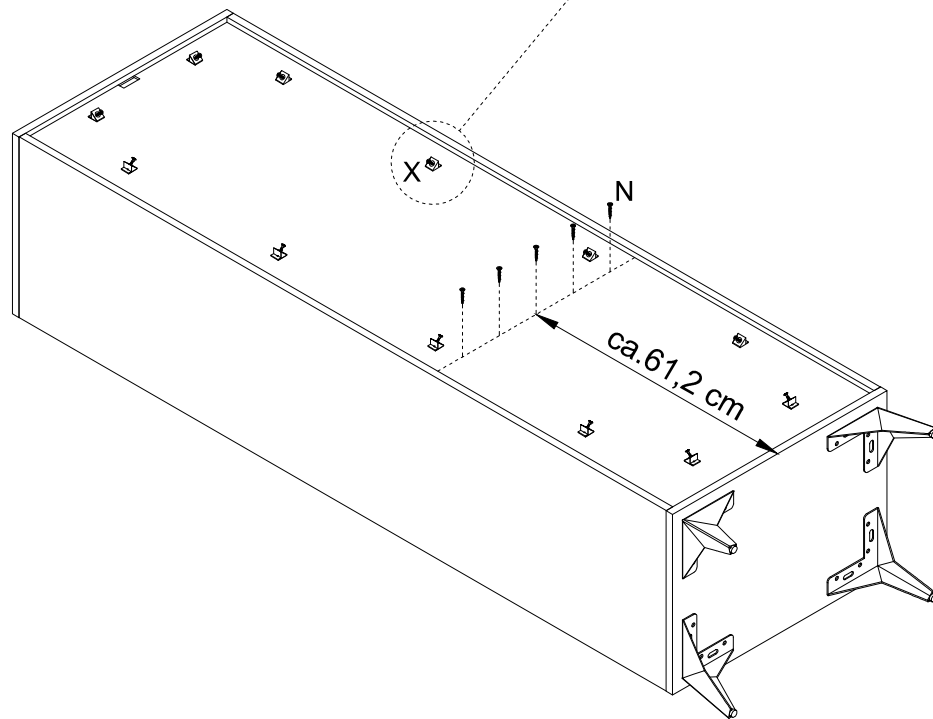
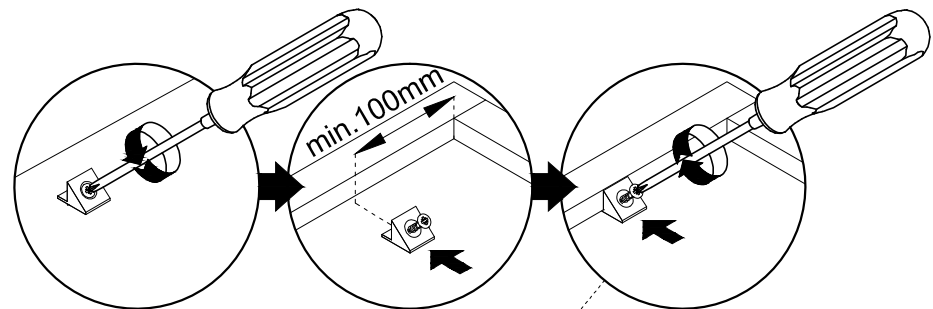
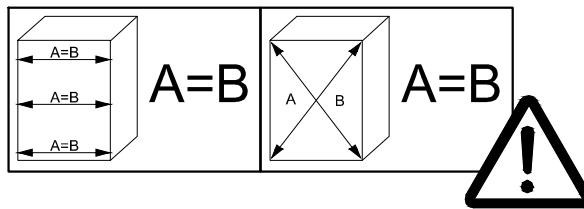
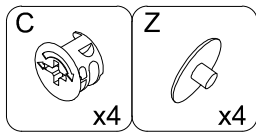
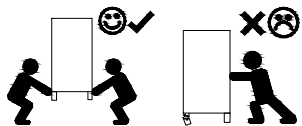
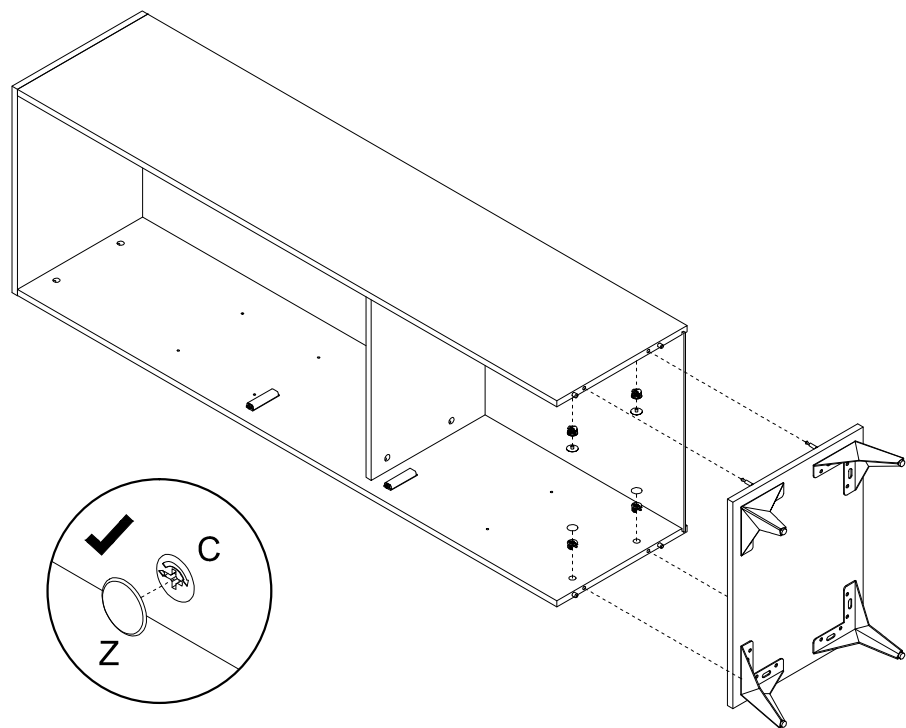
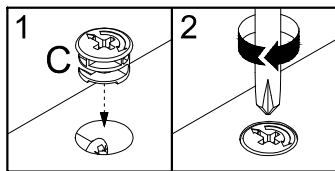
C
x4

7

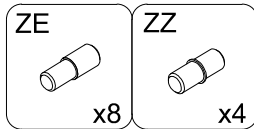
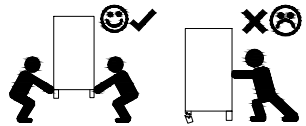
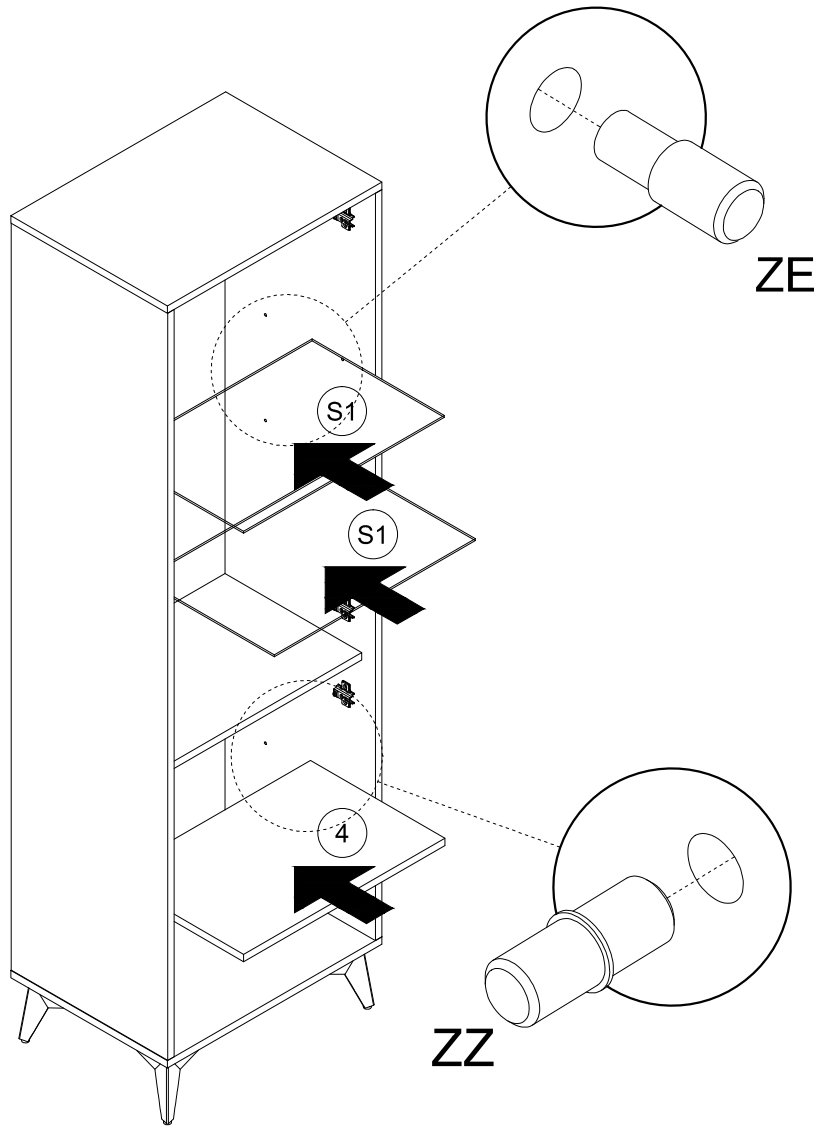


8





11



12

