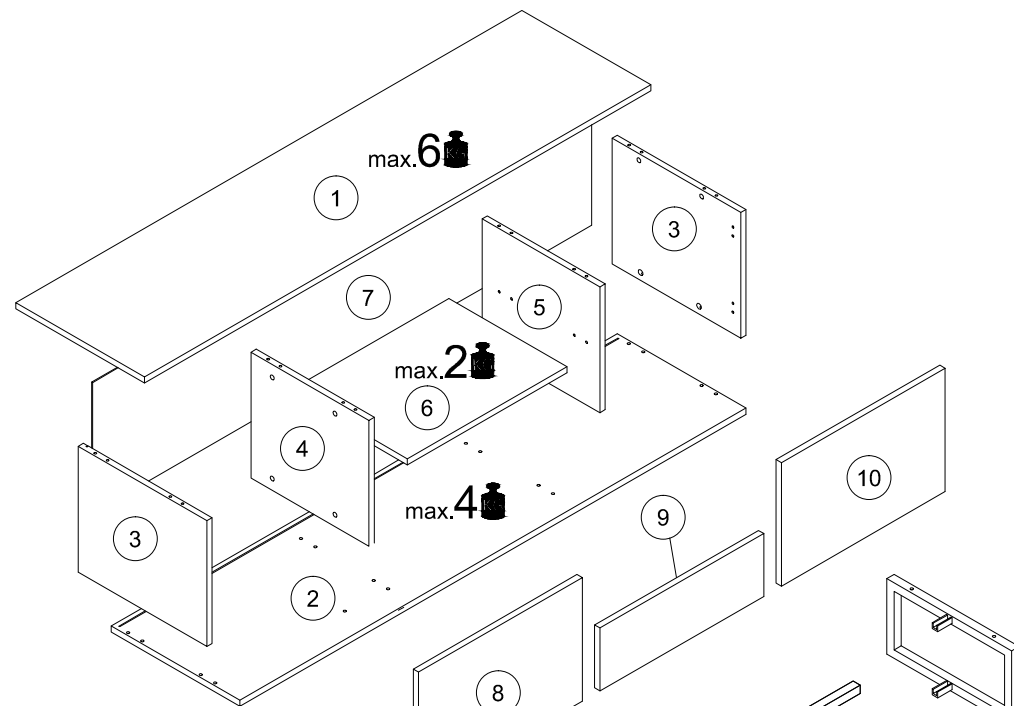
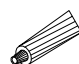

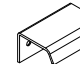


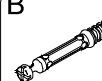
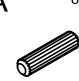
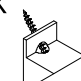





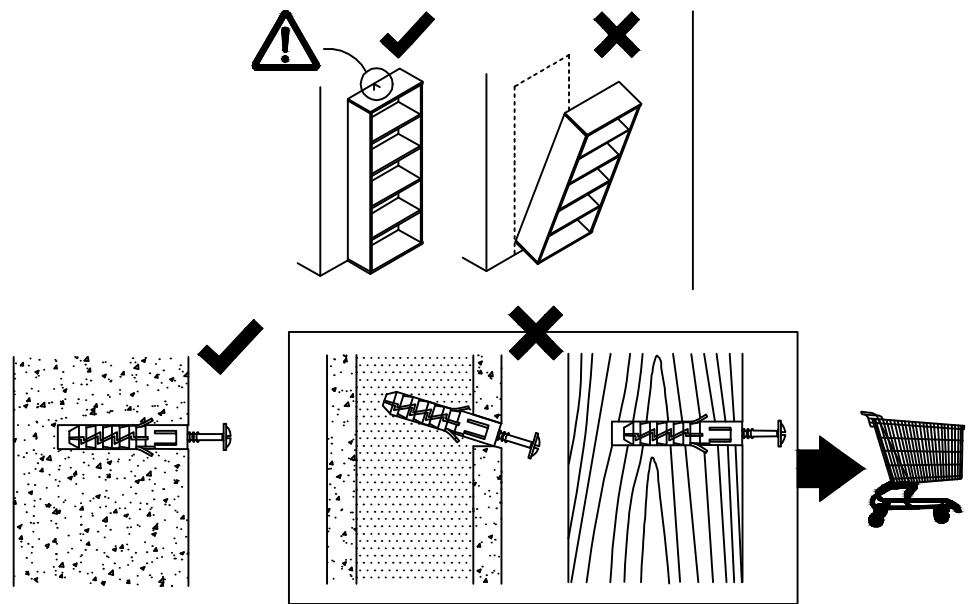
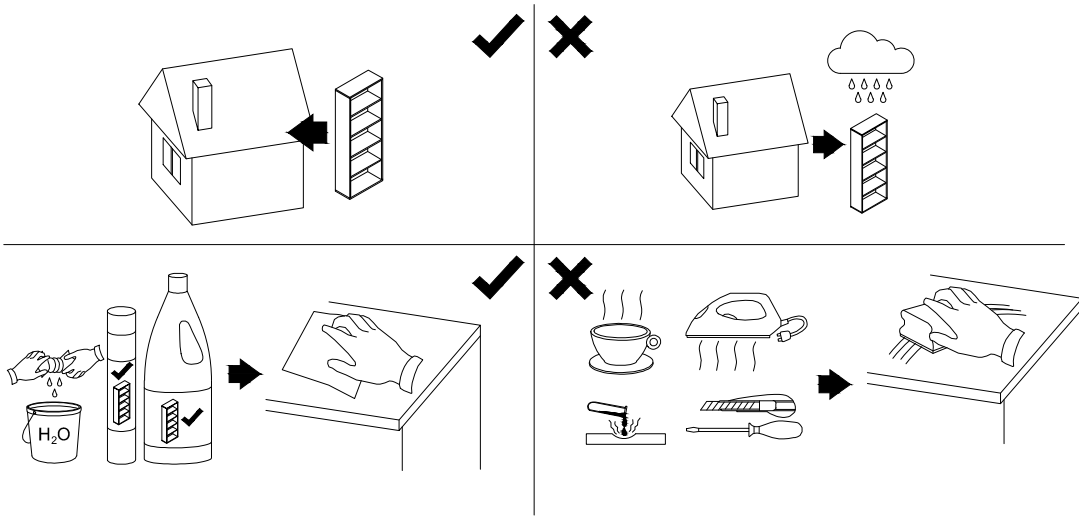


60 min.

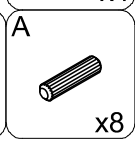
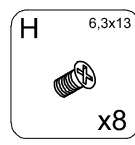
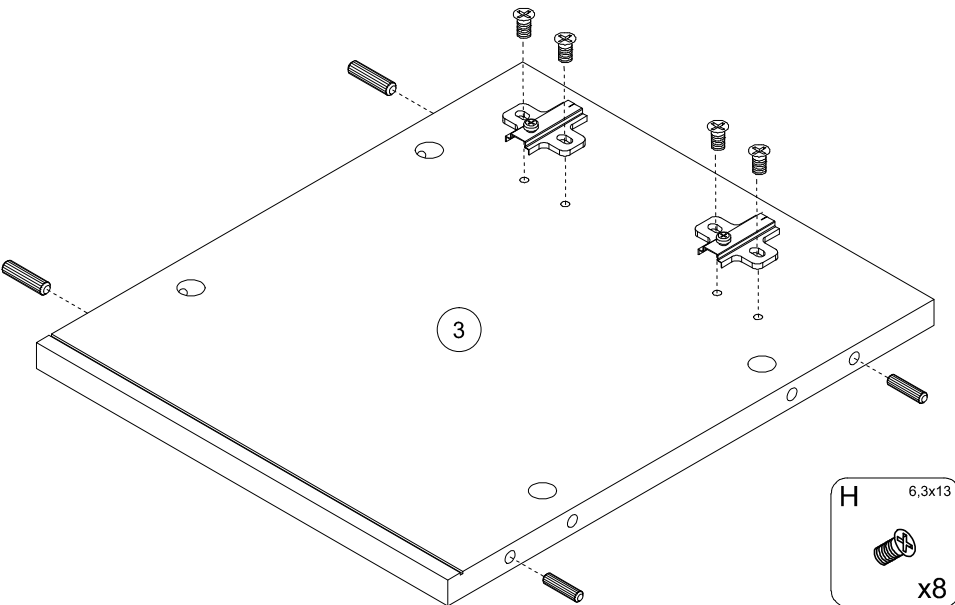
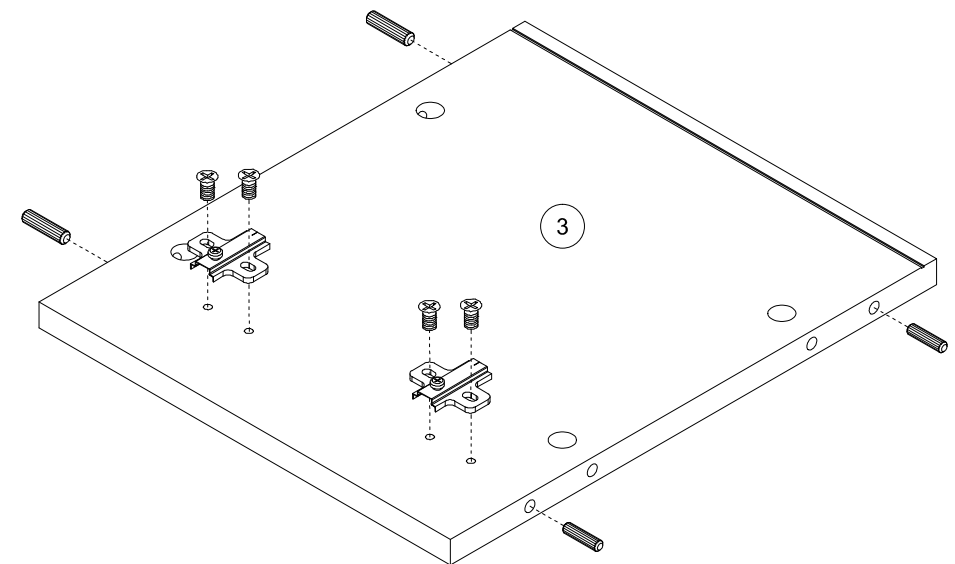
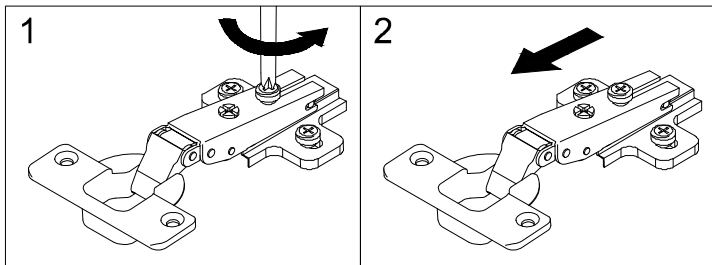


1	1533	390	16	x1	2 / 2
2	1533	390	16	x1	2 / 2
3	330	390	16	x2	2 / 2
4	330	357	16	x1	2 / 2
5	330	357	16	x1	2 / 2
6	483	357	16	x1	2 / 2
7	1509	340	4	x1	2 / 2
8	323	496	16	x1	2 / 2
9	164	496	16	x1	2 / 2
10	323	496	16	x1	2 / 2
11	434	100	12	x1	2 / 2
12L	350	100	12	x1	2 / 2
12R	350	100	12	x1	2 / 2
13	347	444	3	x1	2 / 2

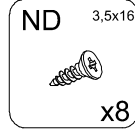
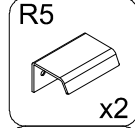
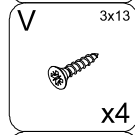
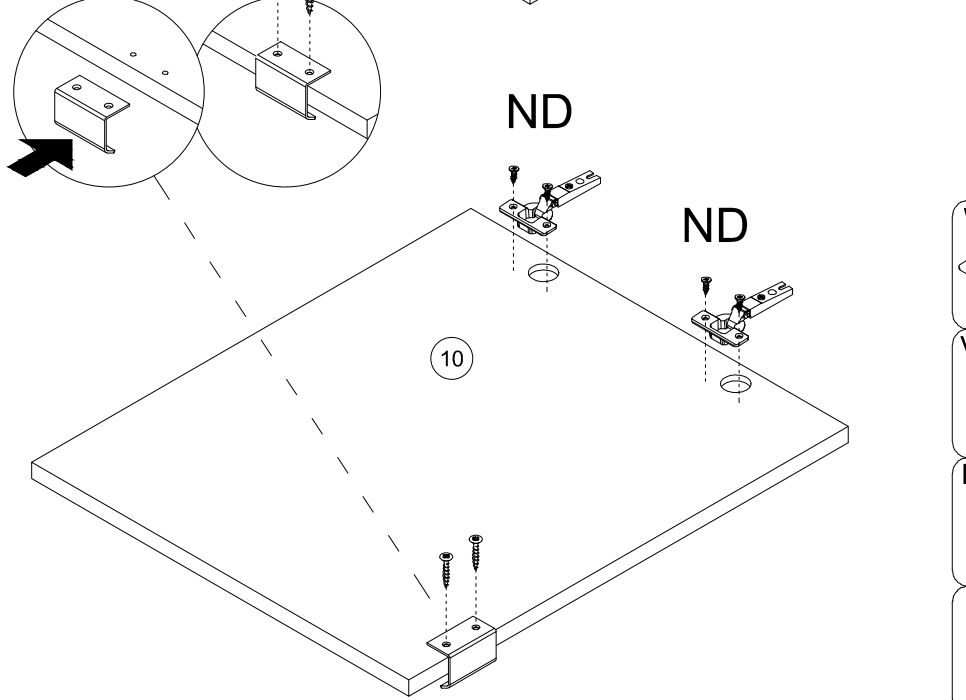
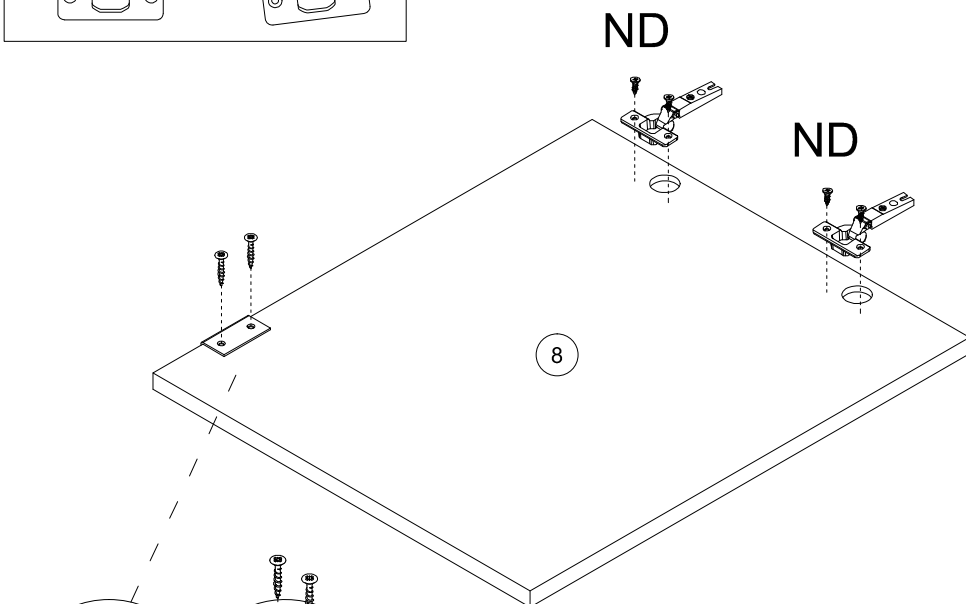
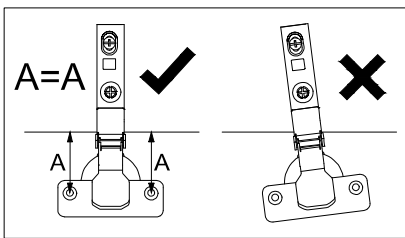
GLUE	N <sup>3x20</sup>	R5	ND <sup>3,5x16</sup>	Z
				
x1	x8	x3	x19	x16
B	A <sup>8x32</sup>	X	H <sup>6,3x13</sup>	C
				
x20	x20	x14	x8	x20
			PPW <sup>350</sup>	W+H2
				
			x2	x4
				V <sup>3x13</sup>
				
				x12



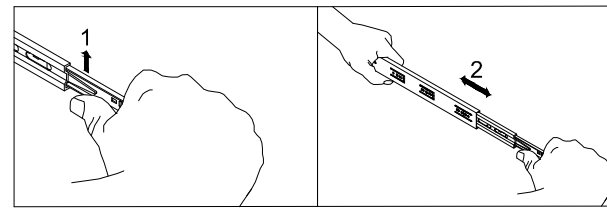
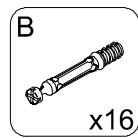
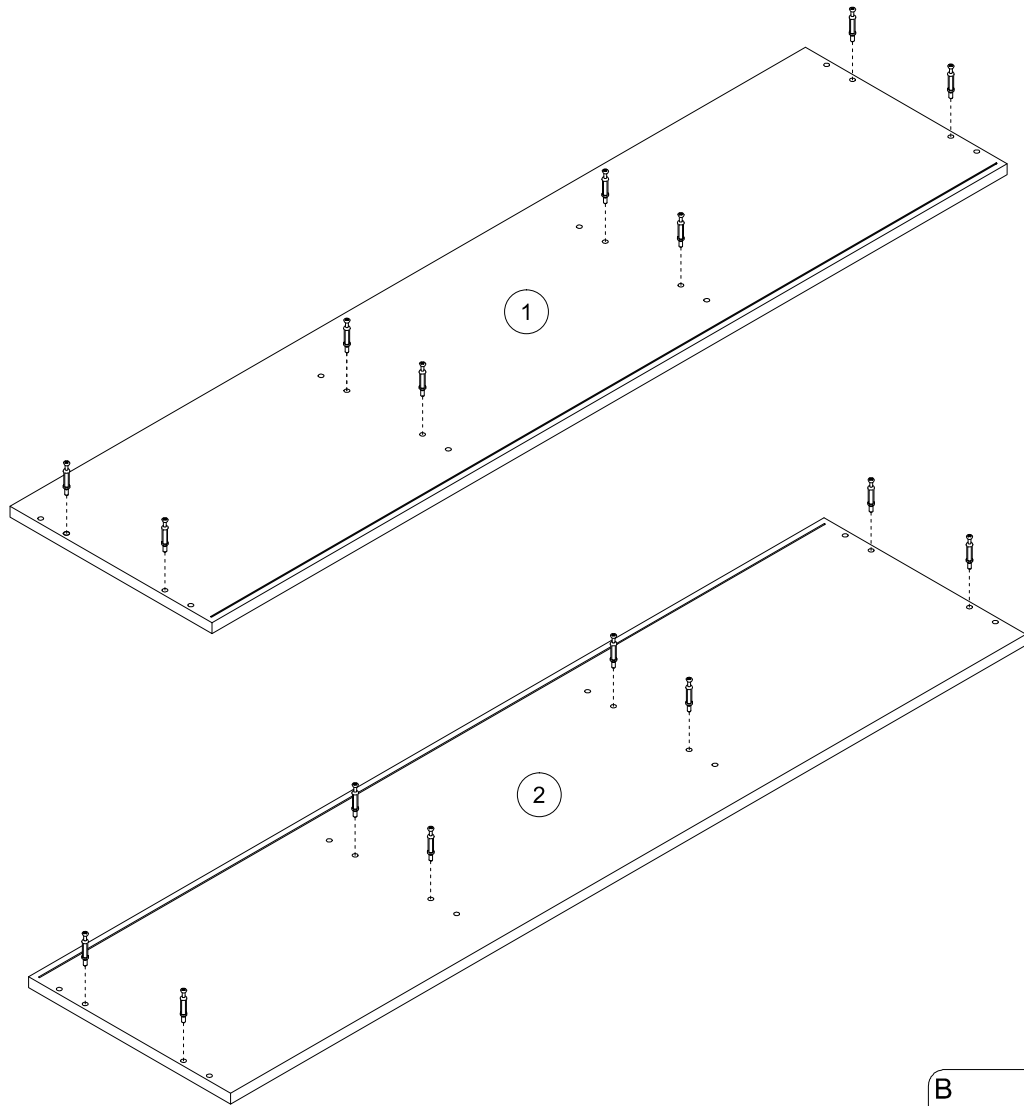
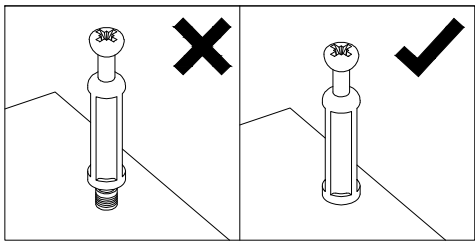
1



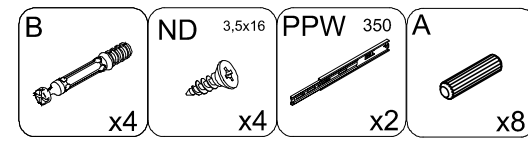
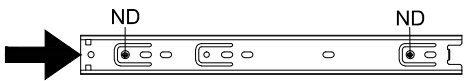
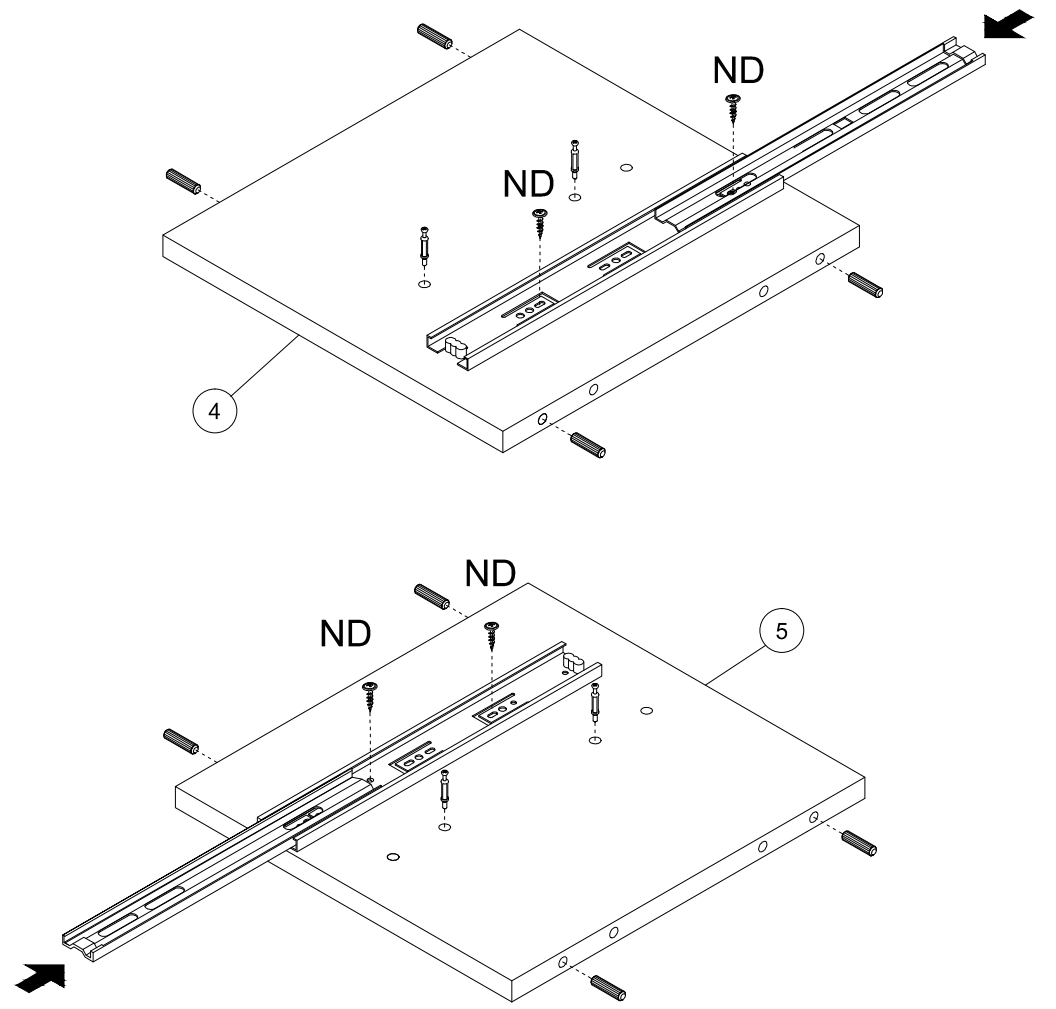
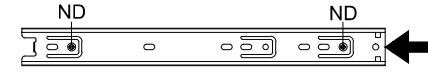
2



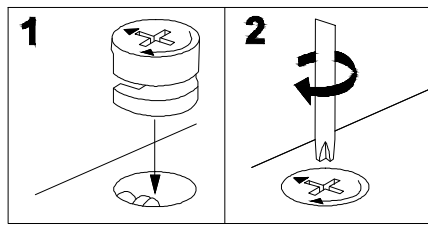
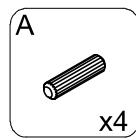
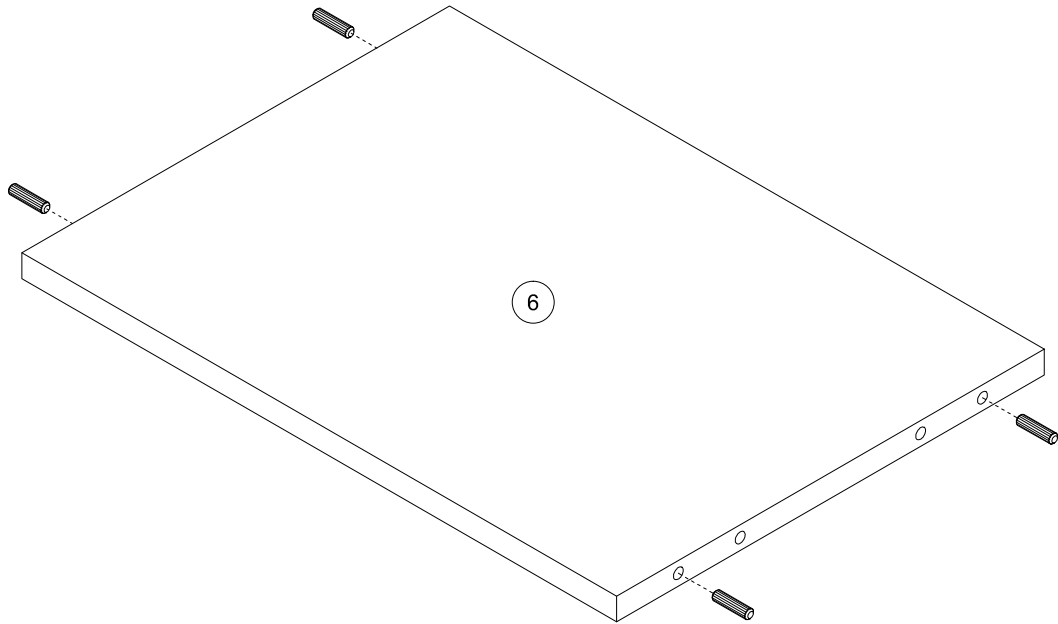
3



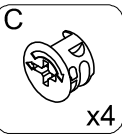
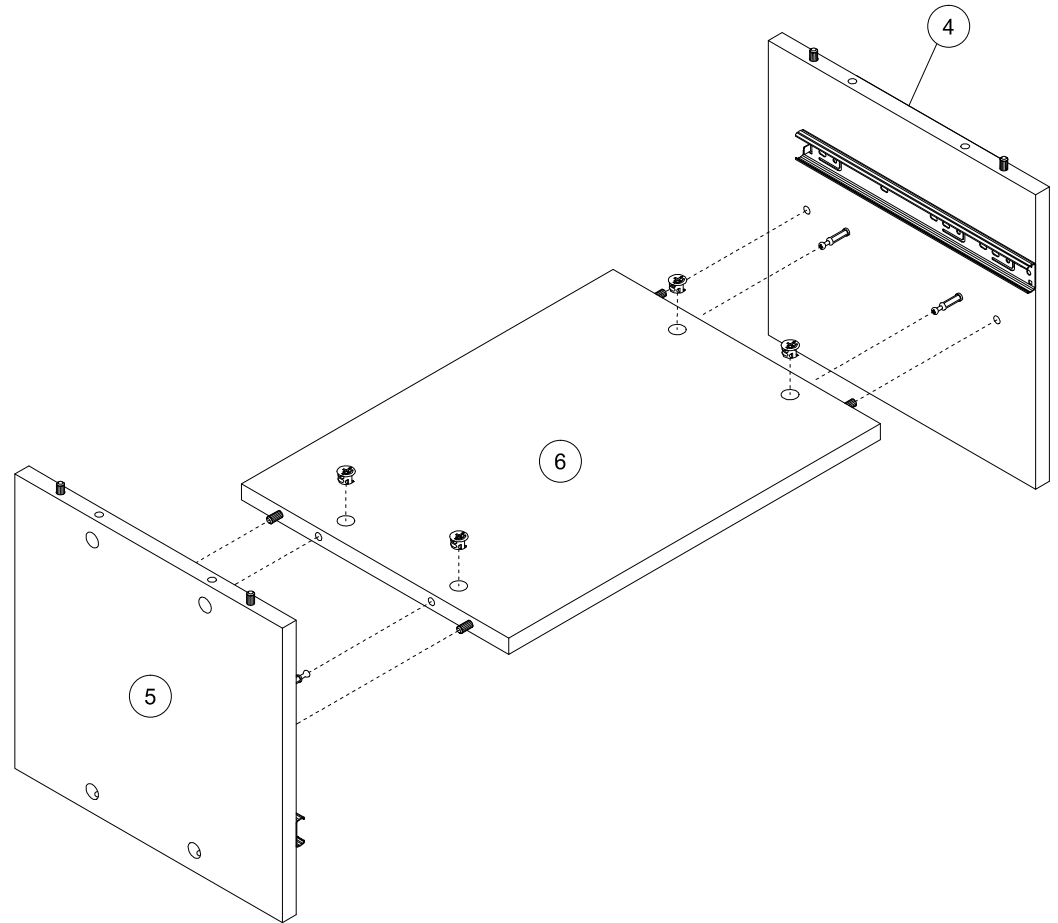
4



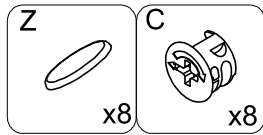
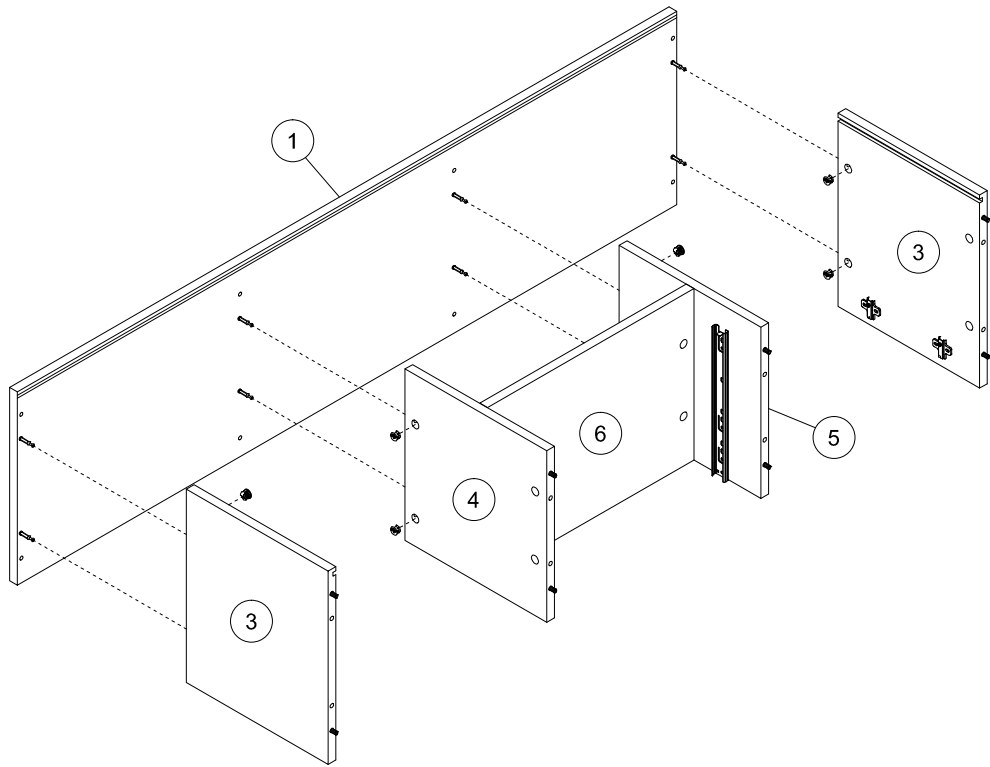
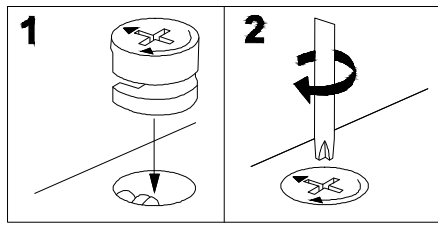
5



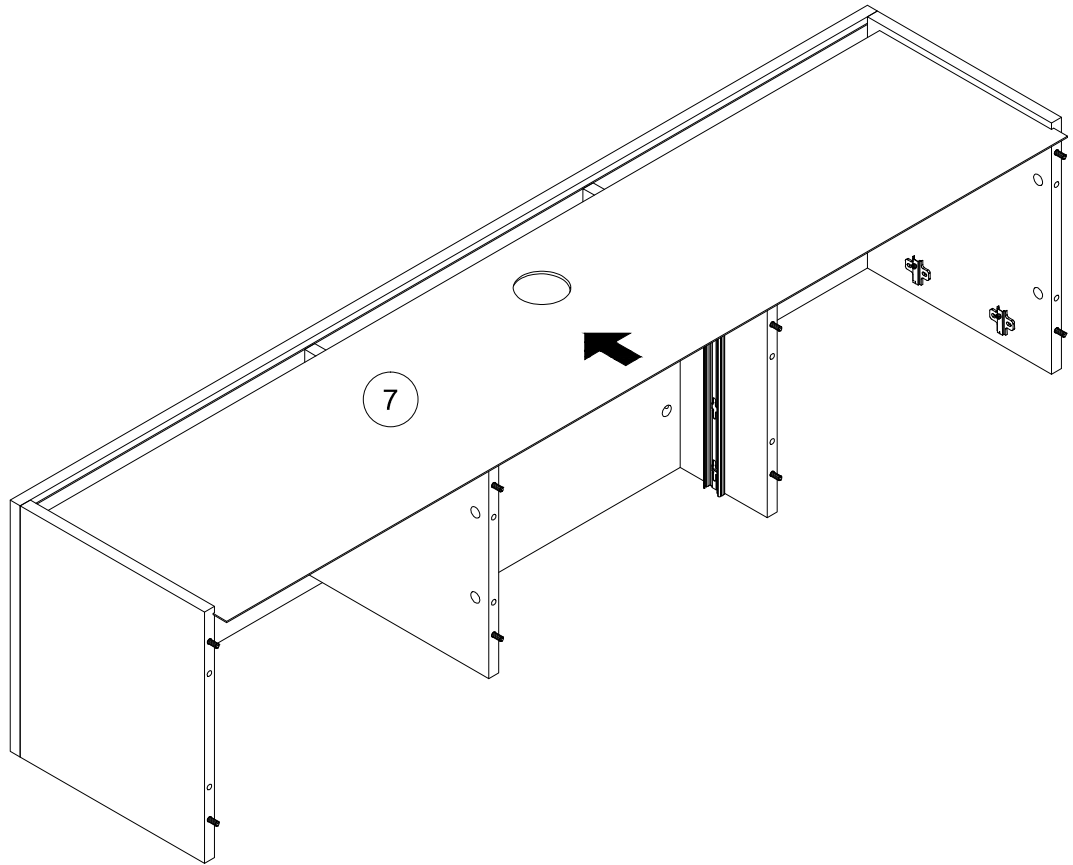
6



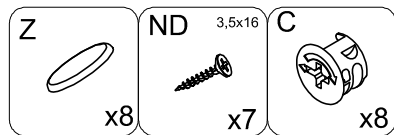
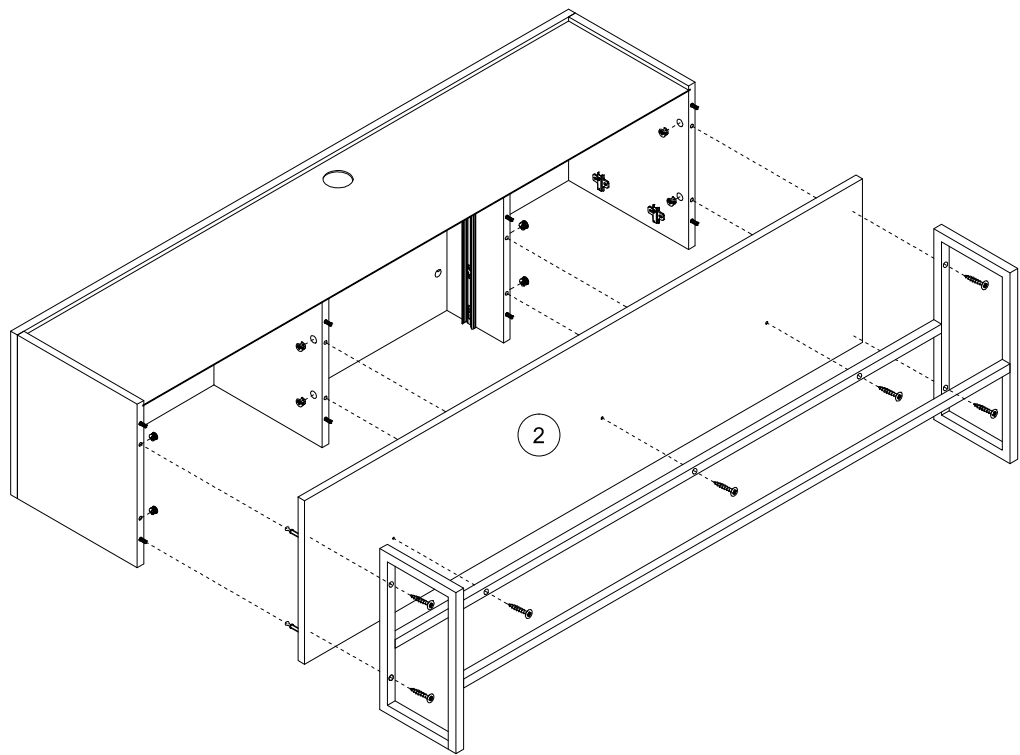
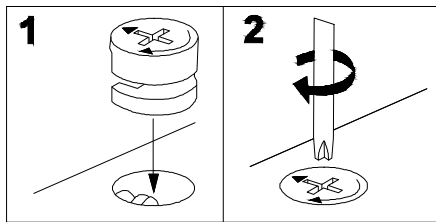
7



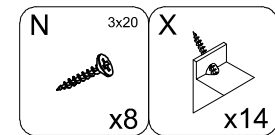
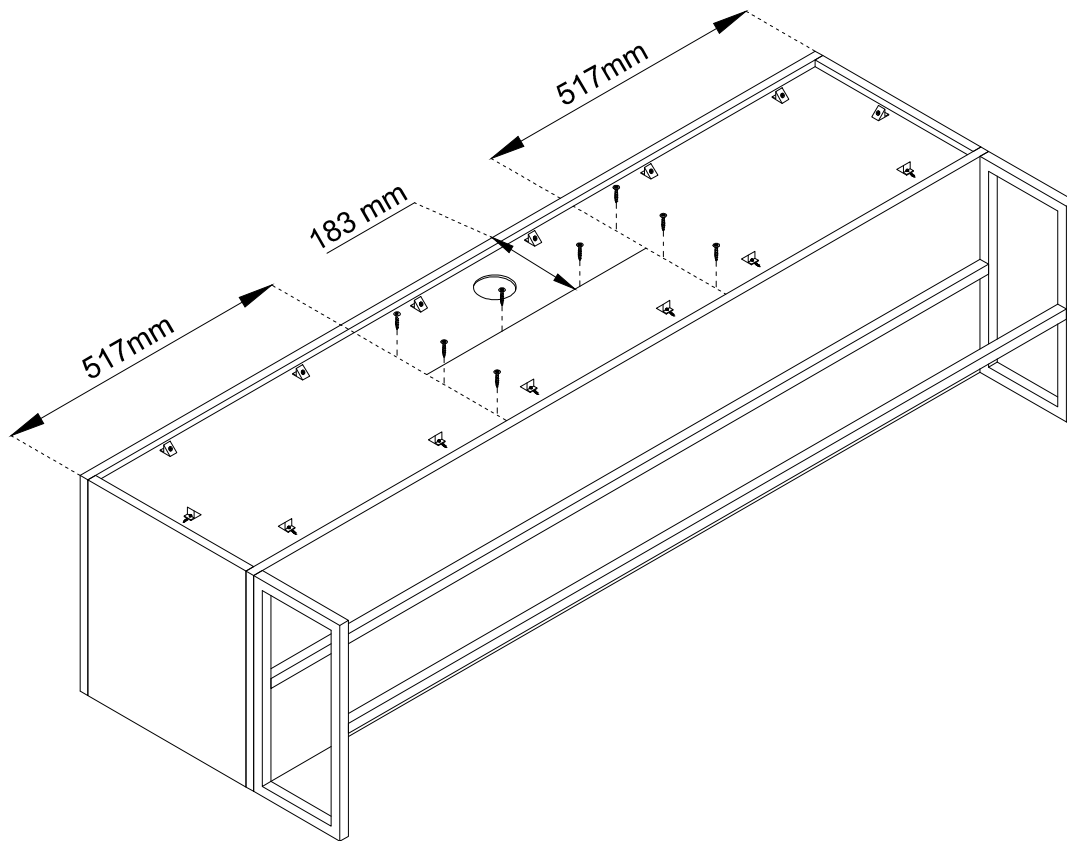
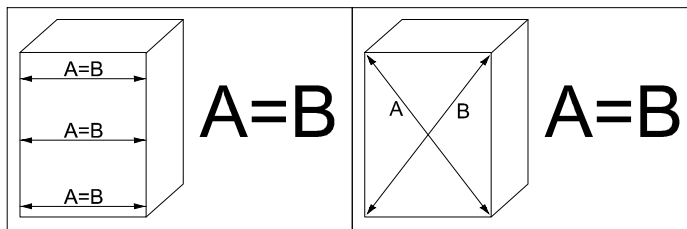
8



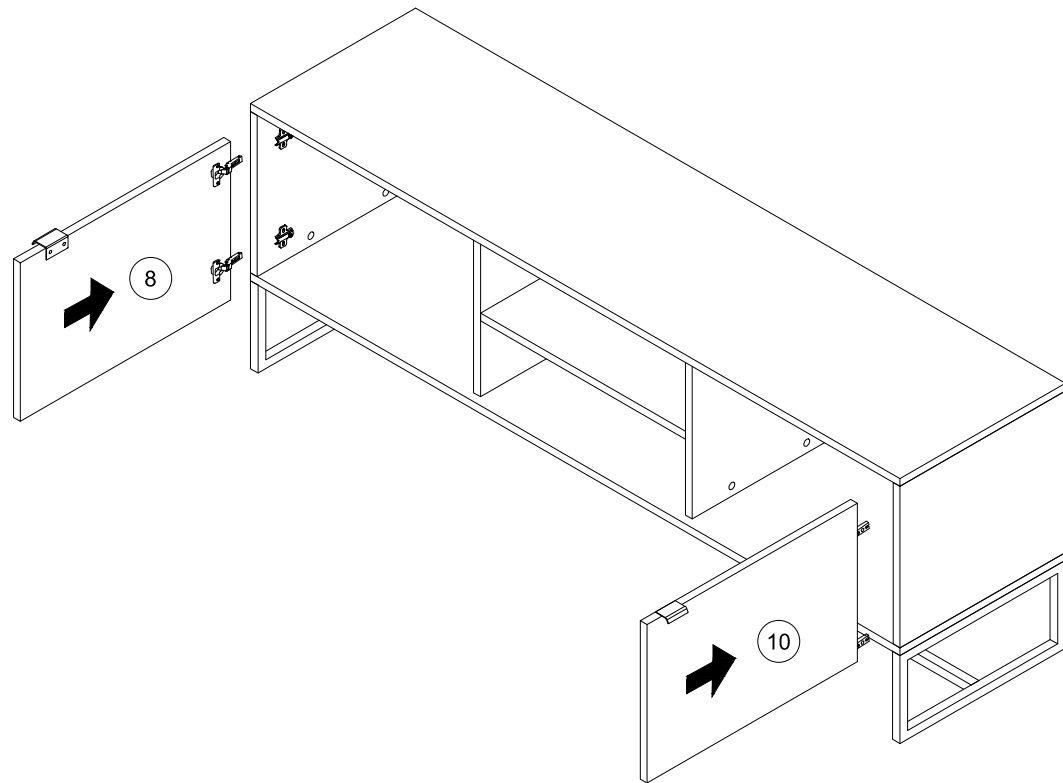
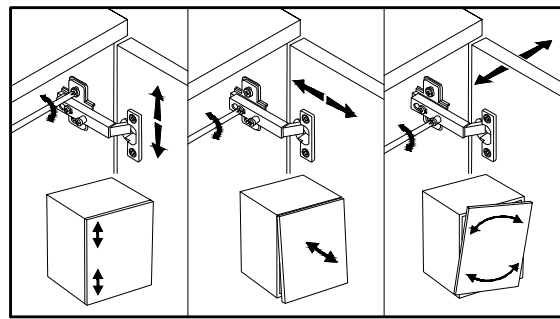
9



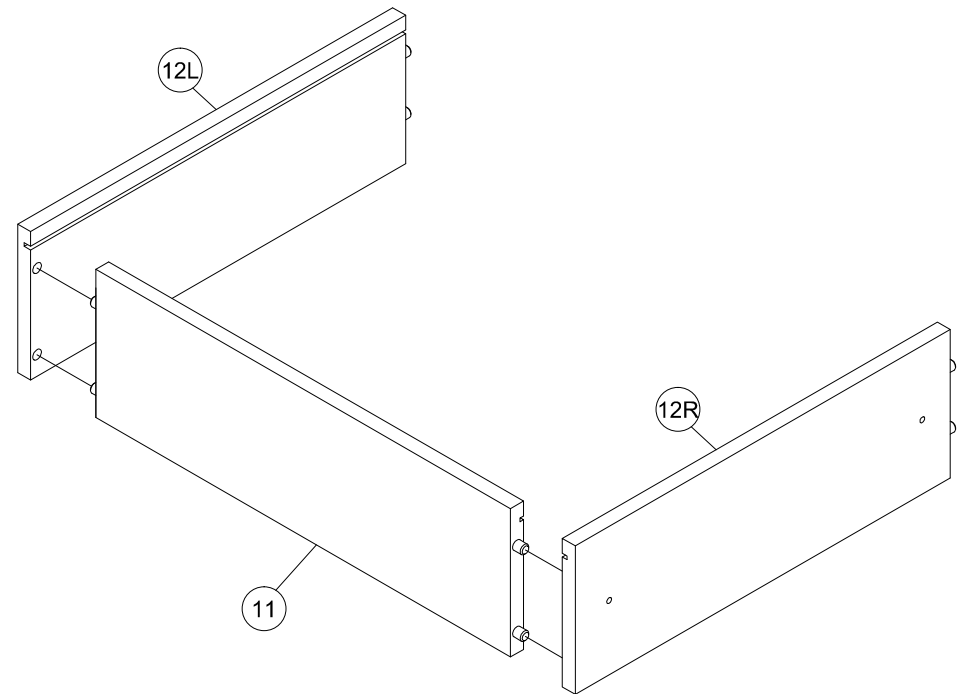
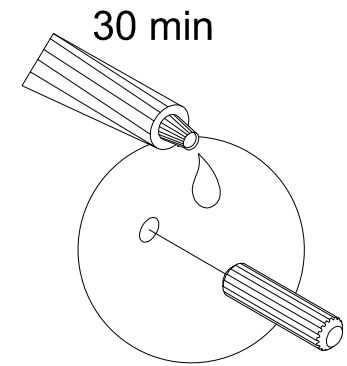
10



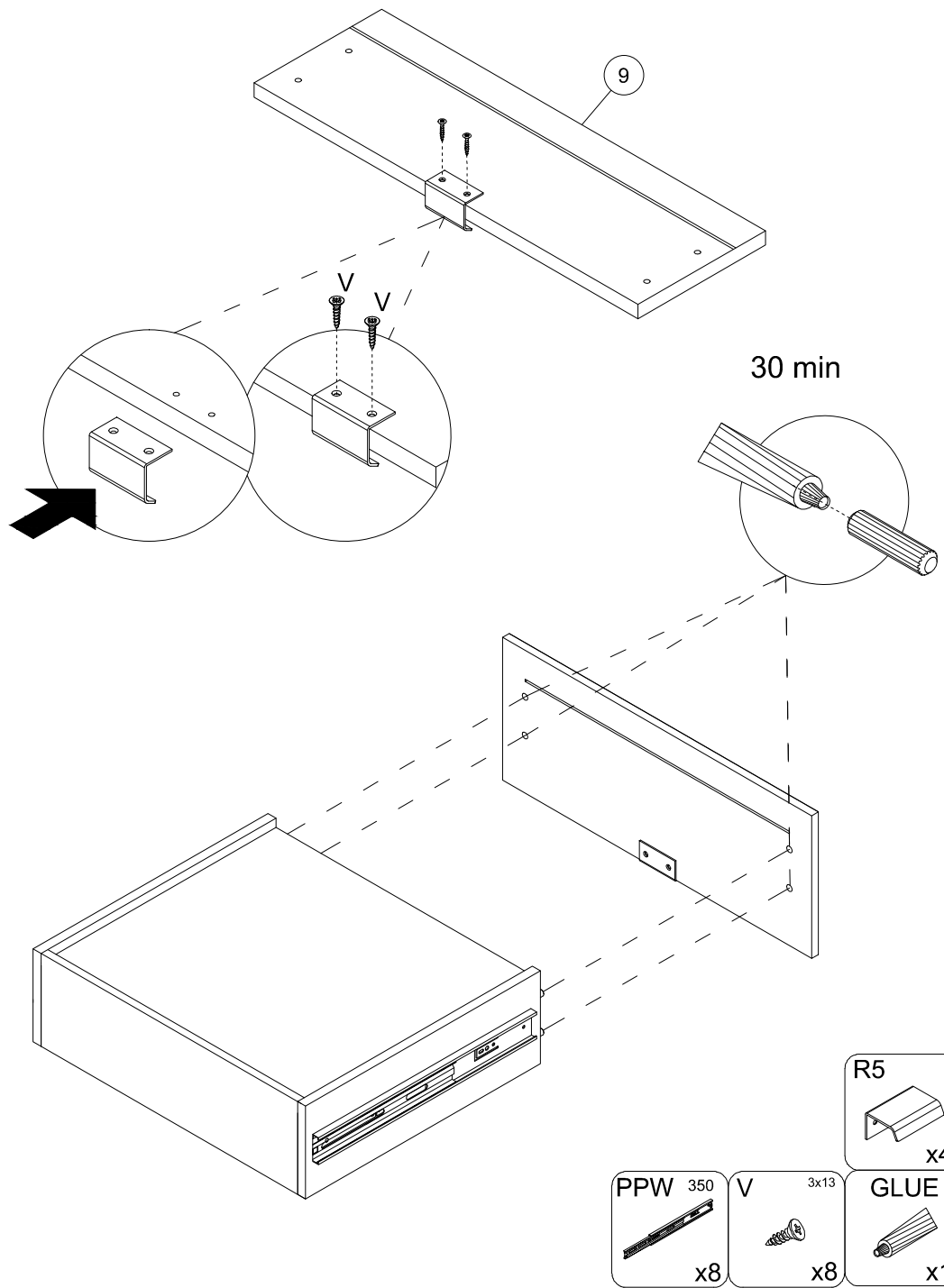
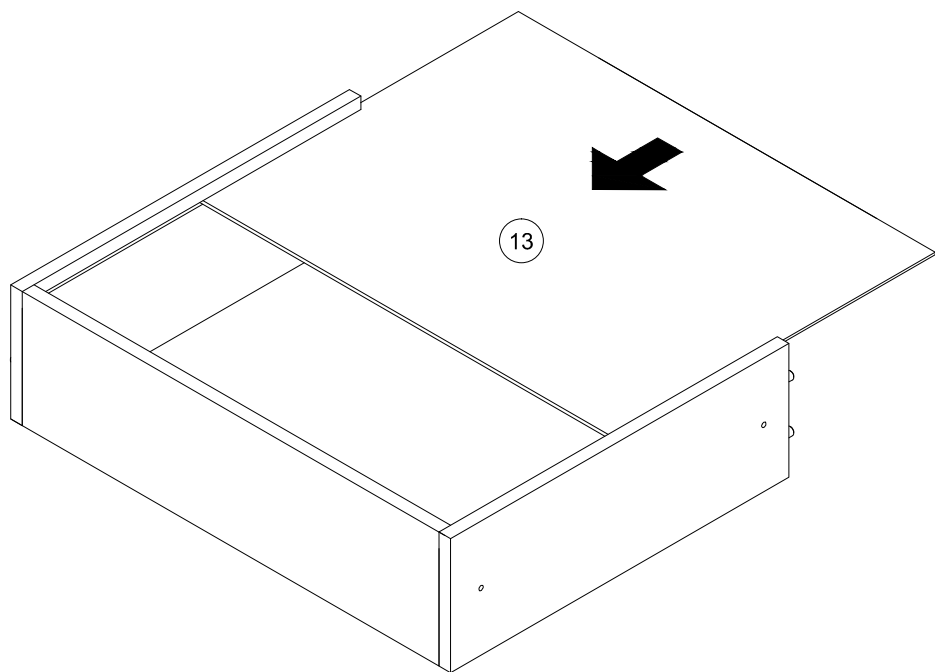
11

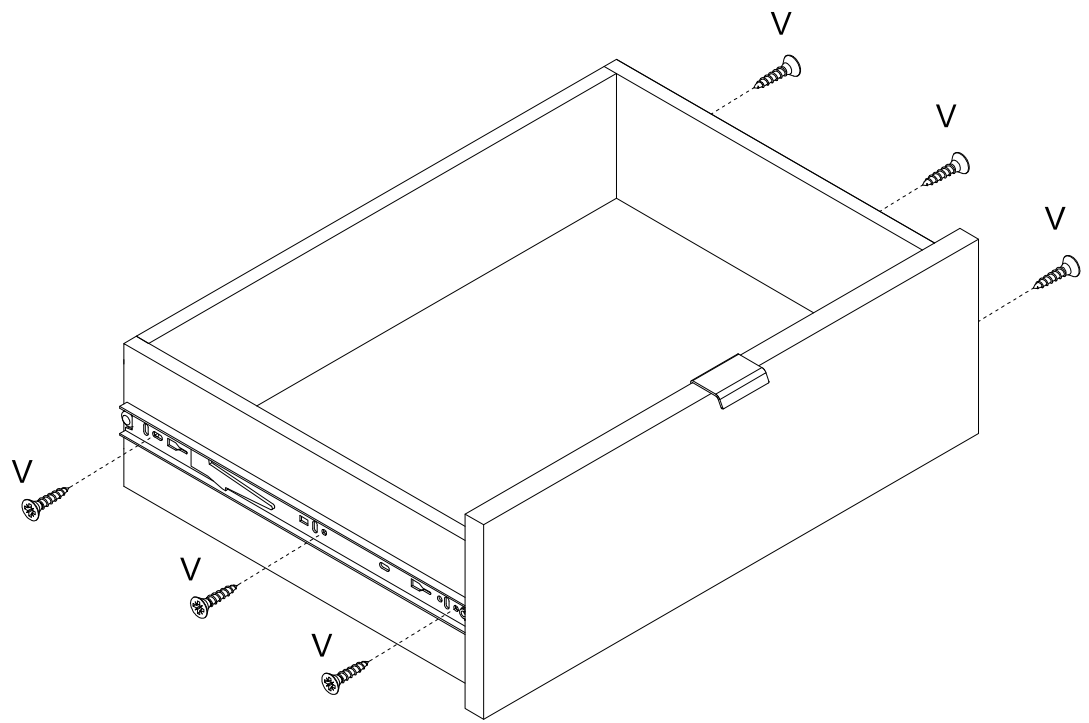




12

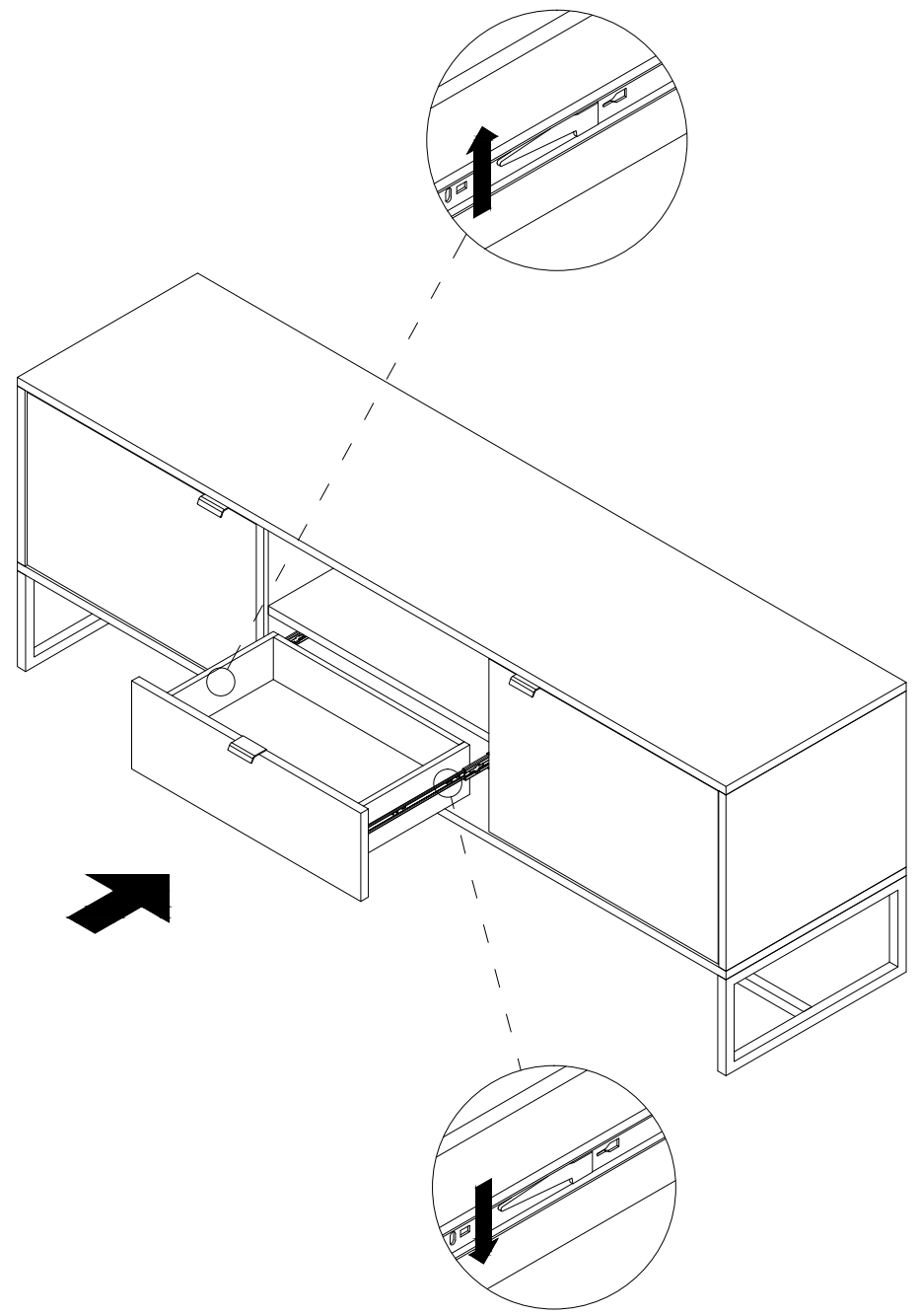


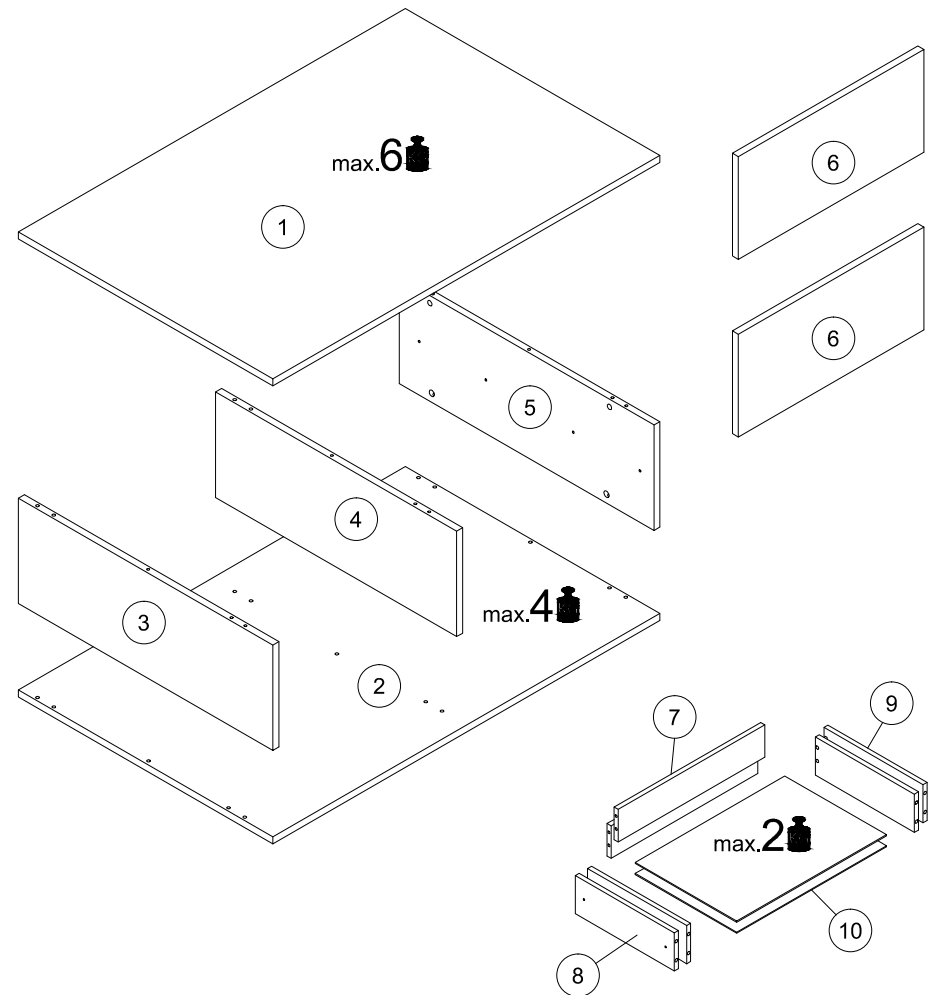
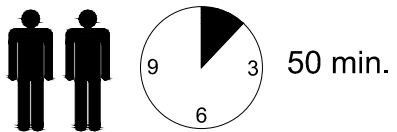
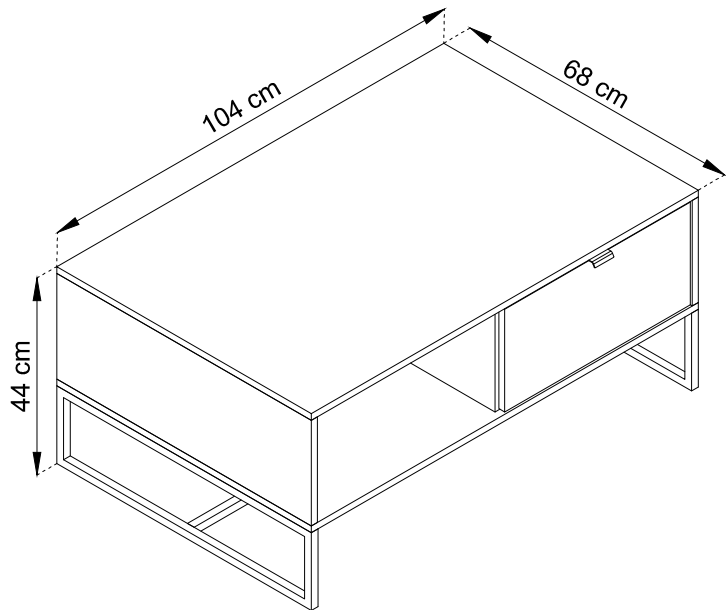
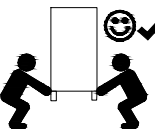
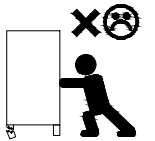
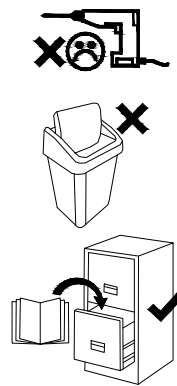
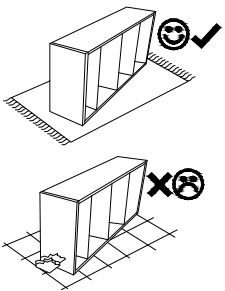
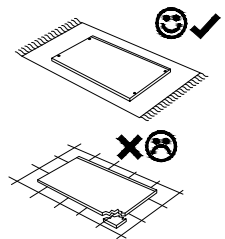




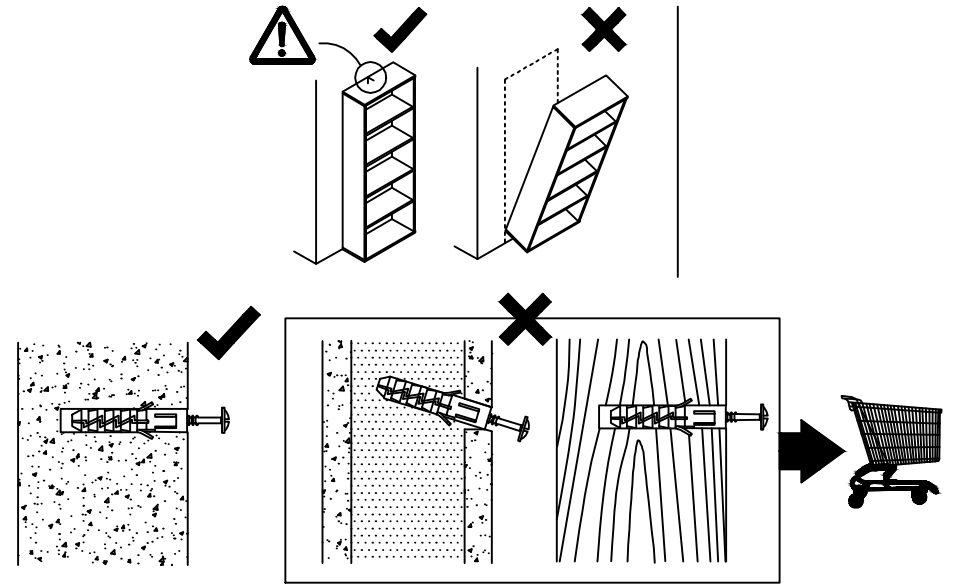
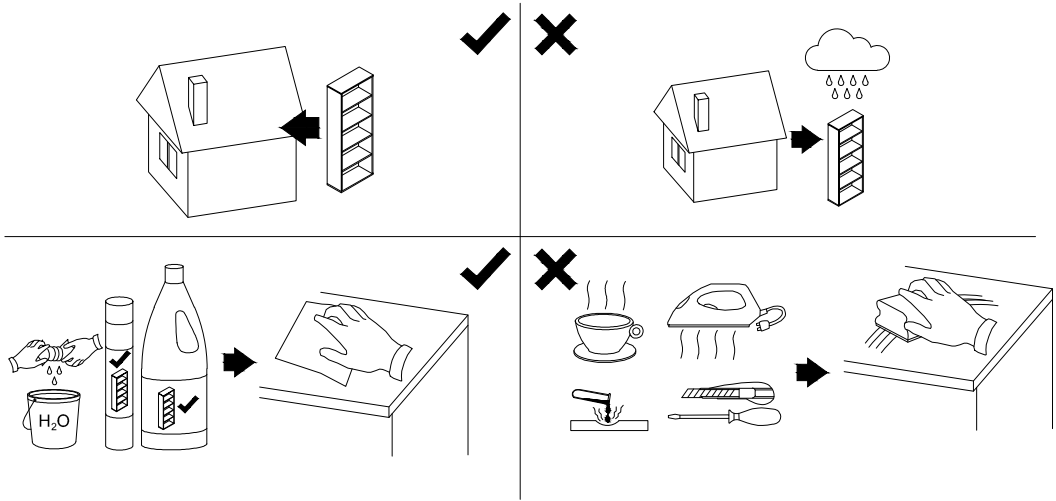


- |  |   |
|--|---|
| PPW 350<br><br>x8 | V 3x13<br><br>x32 |
|--|---|

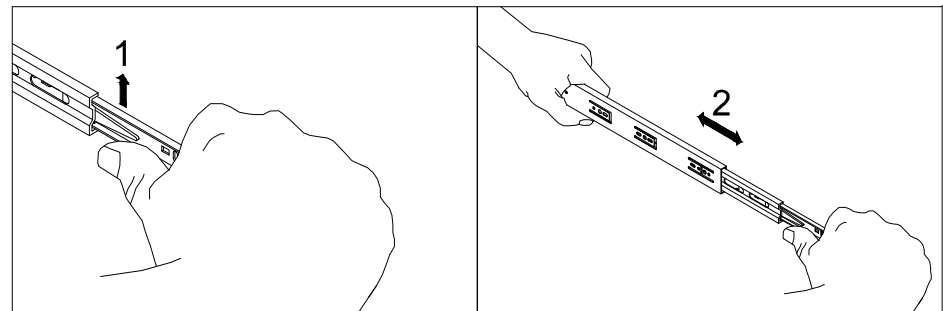
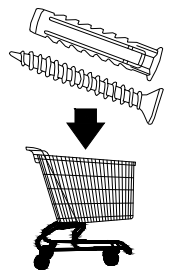




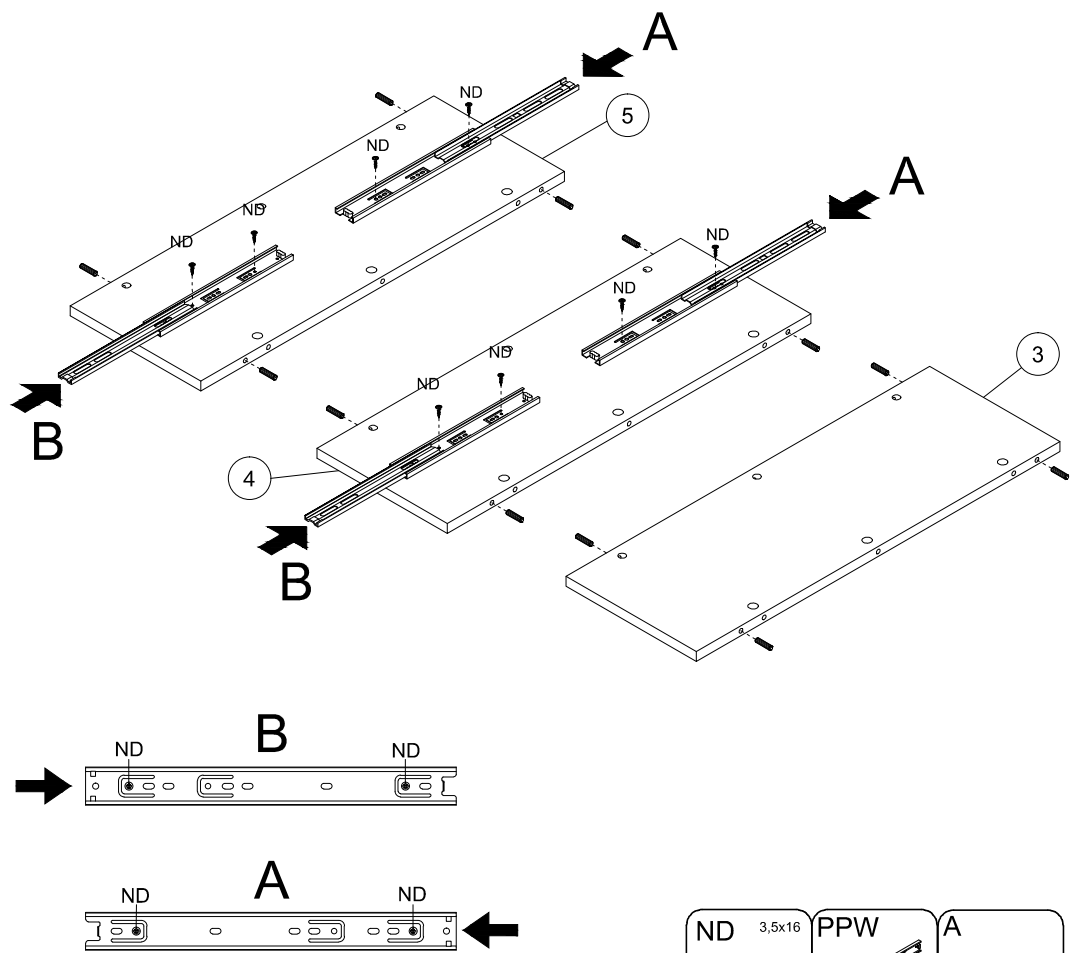
V 3x13 x16	R5 x2	PPW 300 x4	GLUE x1
B x18	A 8x32 x12	Z x6	C x18
			ND 3,5x16 x14



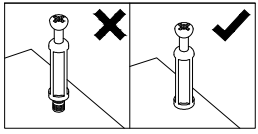
1	1038	680	16	x1	2 / 2
2	1038	680	16	x1	2 / 2
3	230	680	16	x1	2 / 2
4	230	644	16	x1	2 / 2
5	230	680	16	x1	2 / 2
6	496	224	16	x2	2 / 2
7	445	100	12	x2	2 / 2
8	300	100	12	x2	2 / 2
9	300	100	12	x2	2 / 2
10	455	299	3	x2	2 / 2



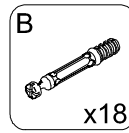
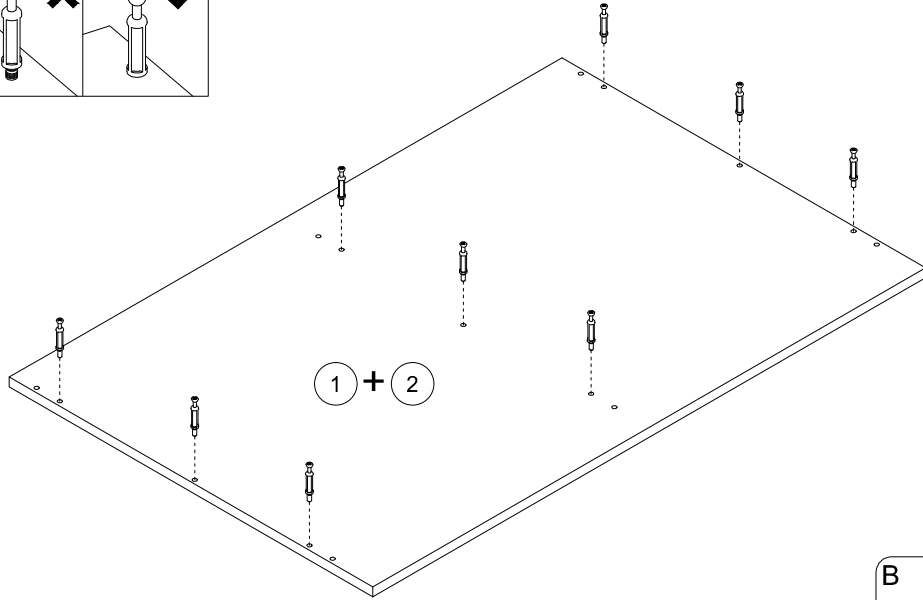
1



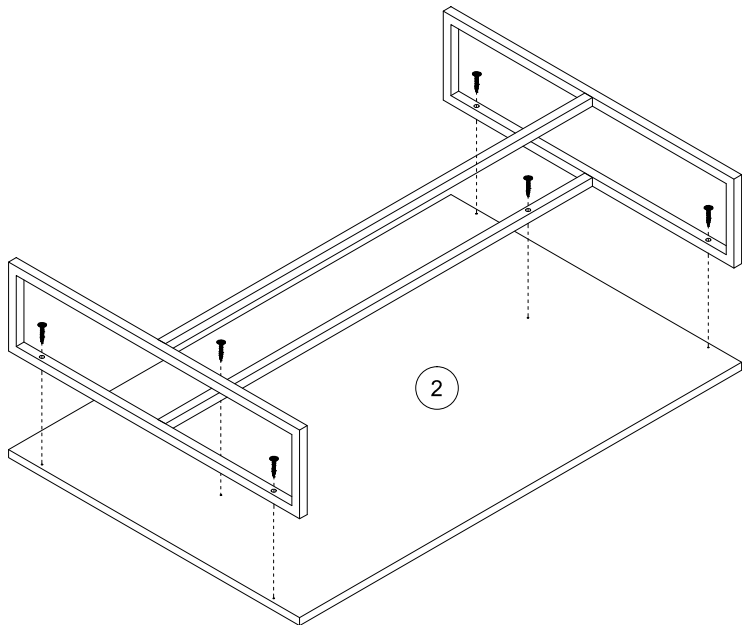
ND	3,5x16	PPW	A
x8		x2	x12



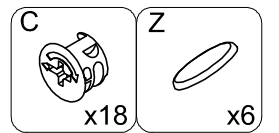
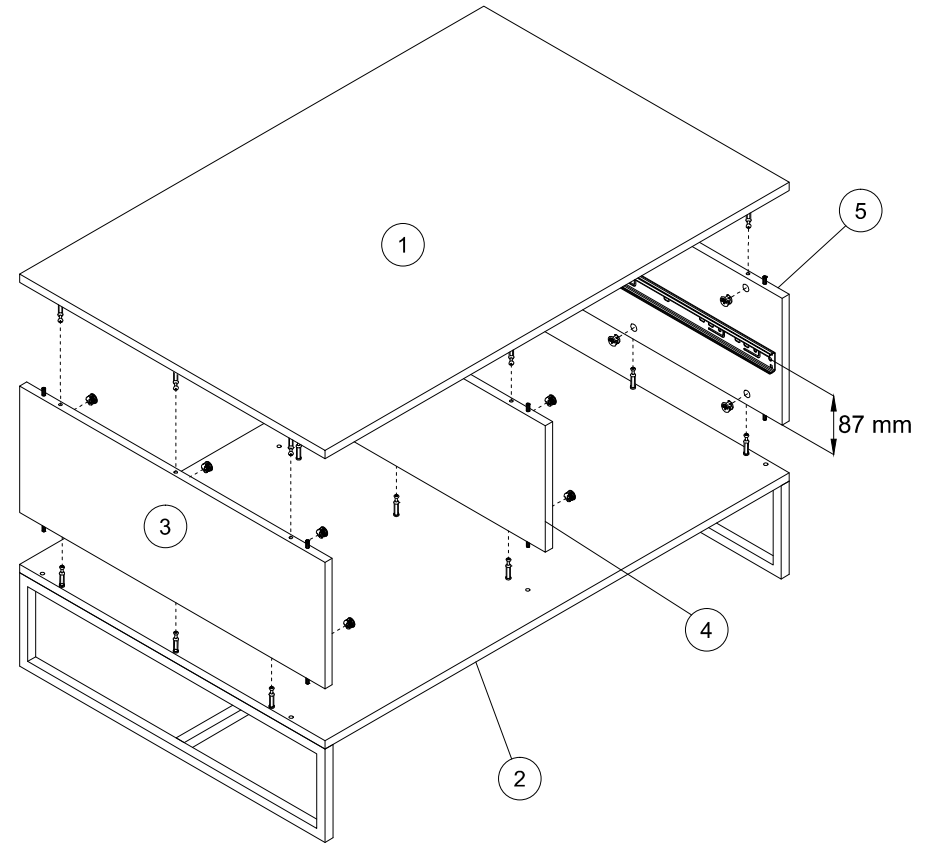
2



3

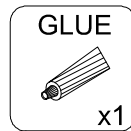
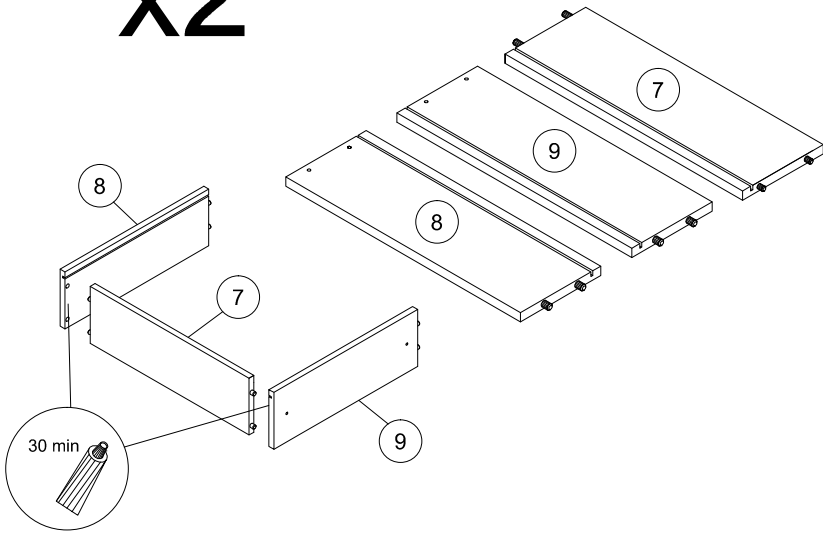


4



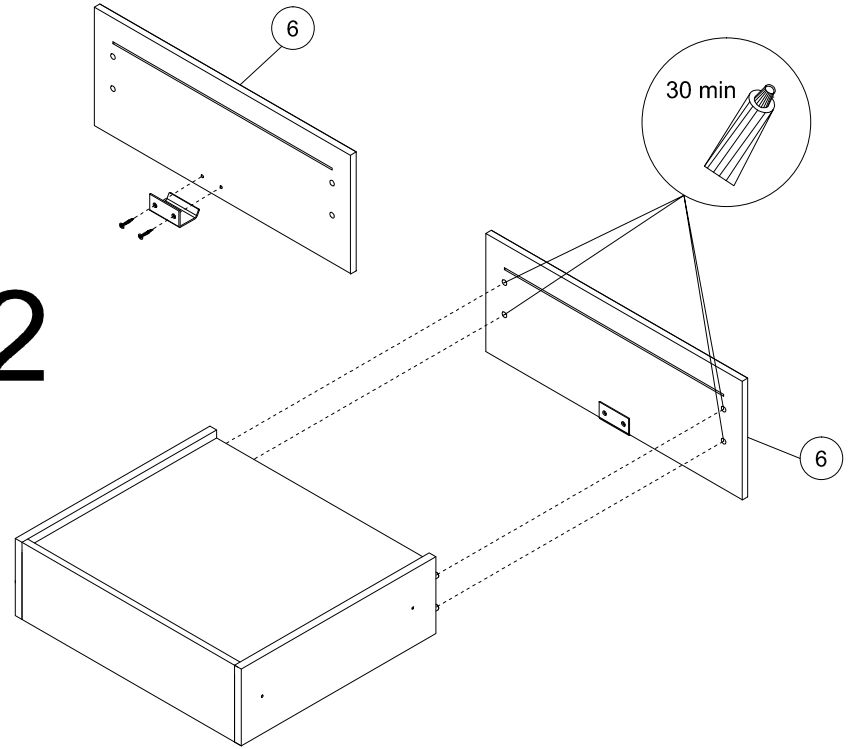
5

x2



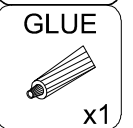
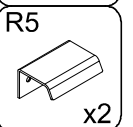
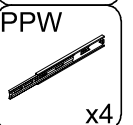
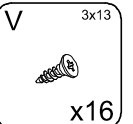
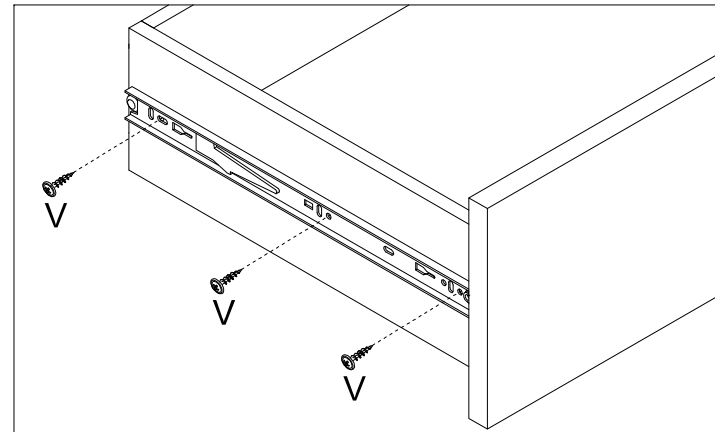
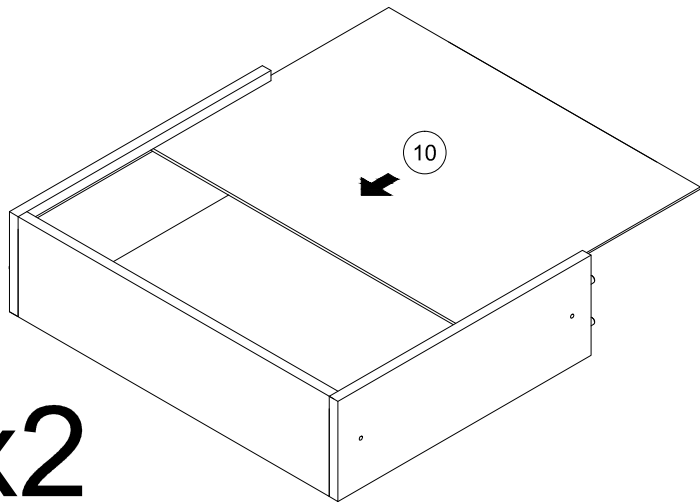
7

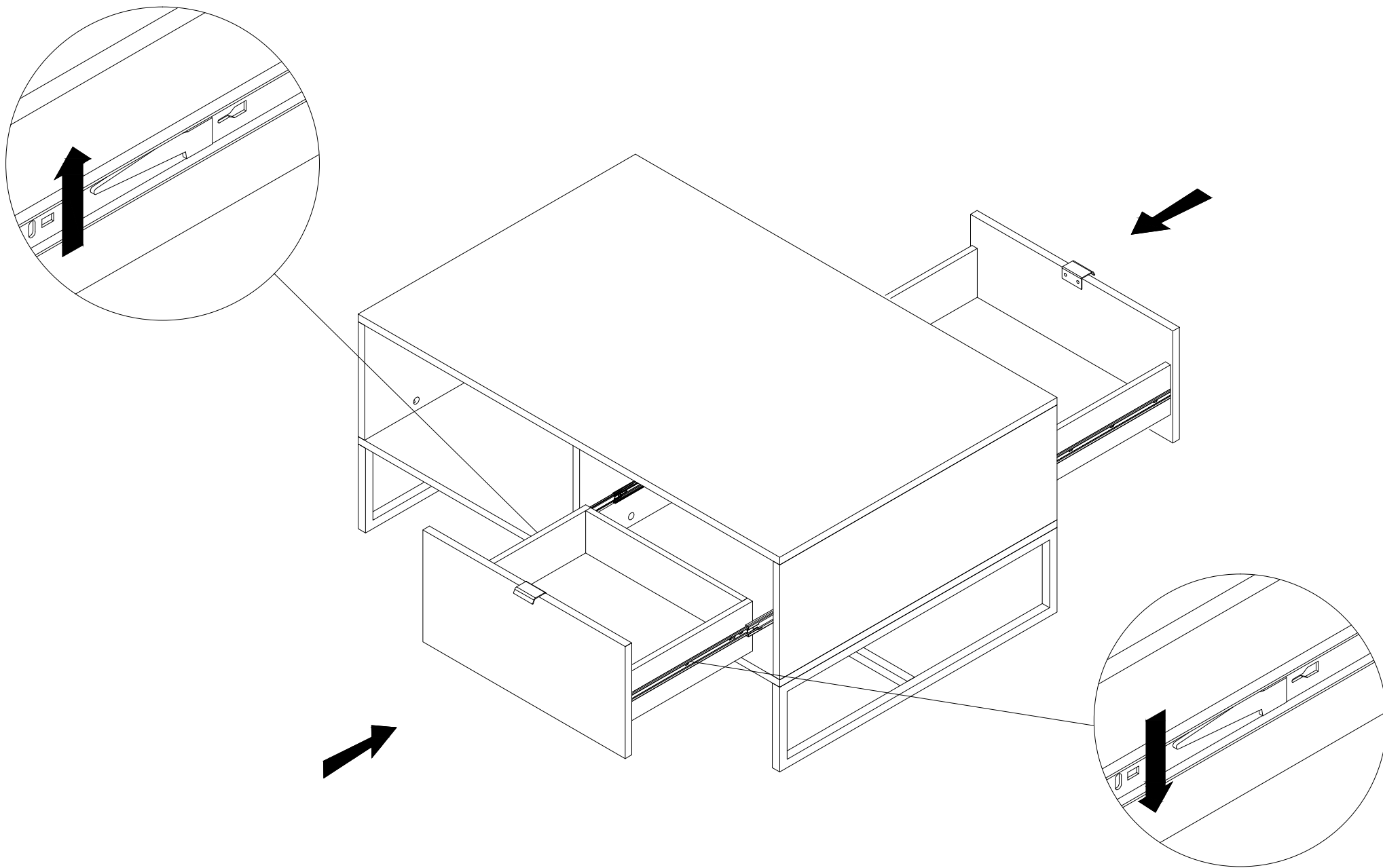
x2



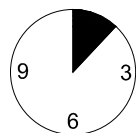
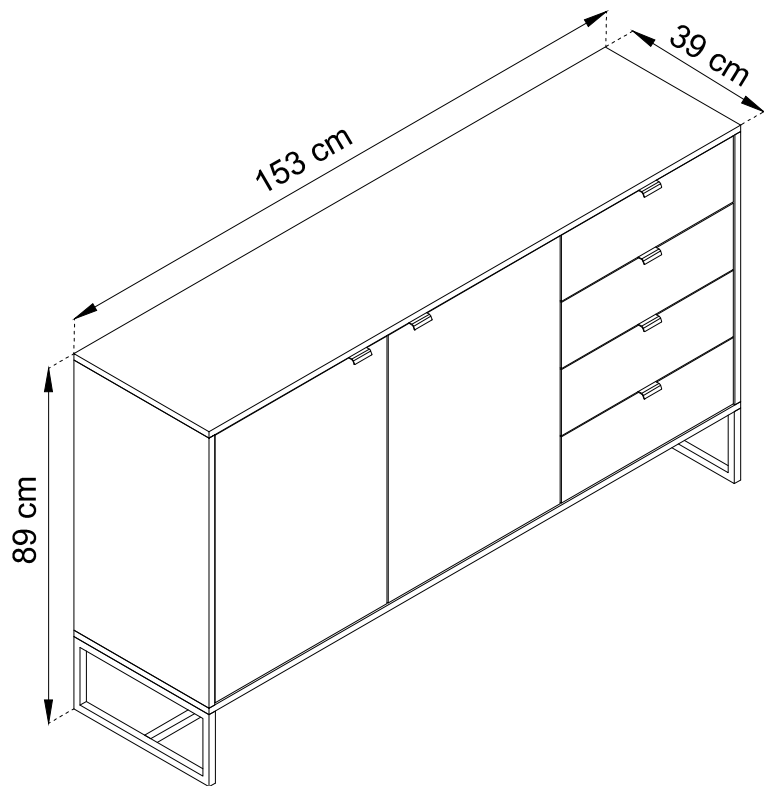
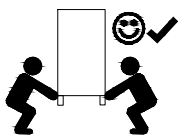
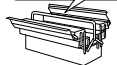
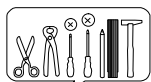
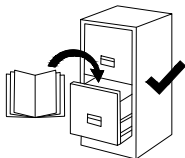
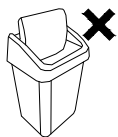
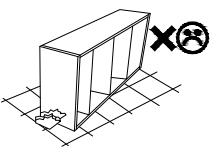
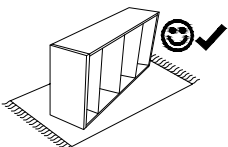
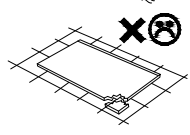
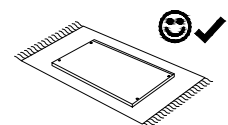
6

x2

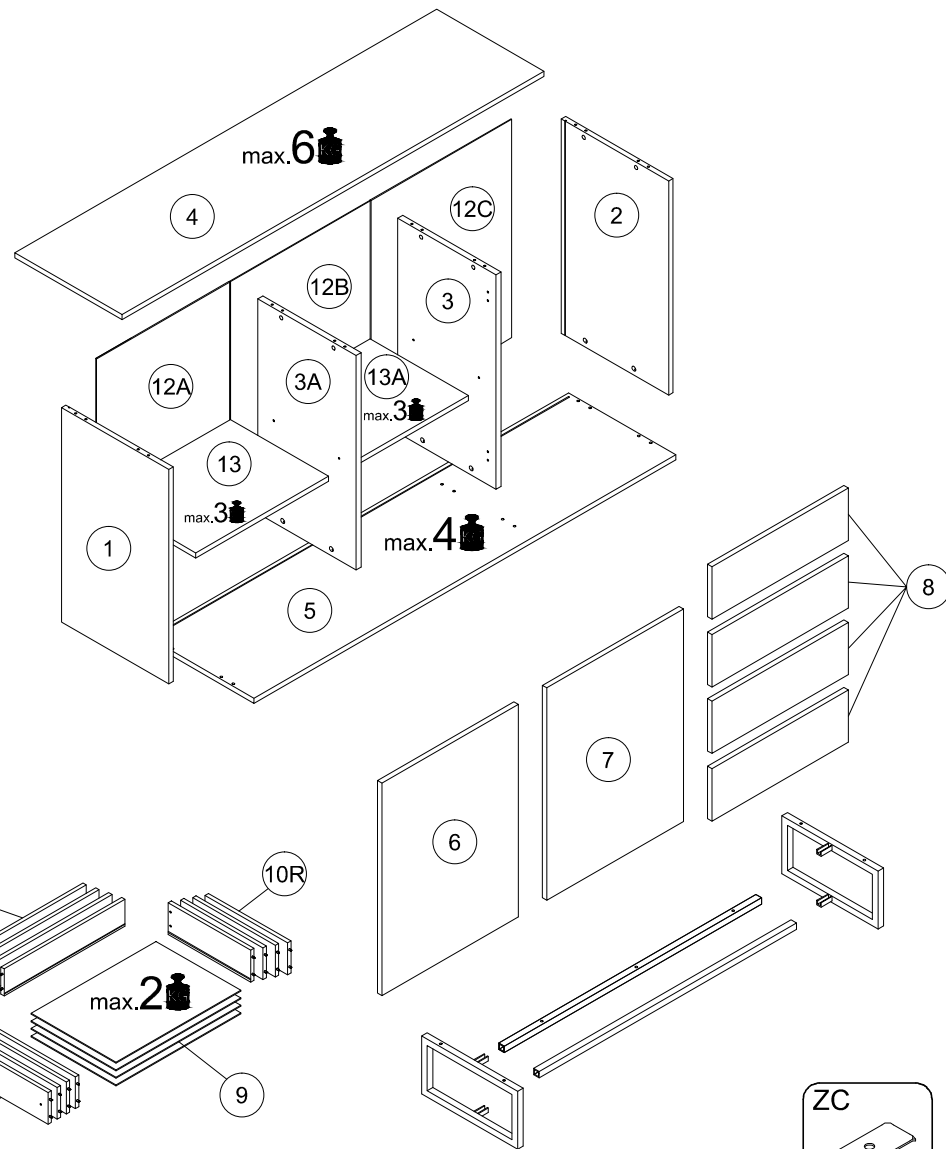




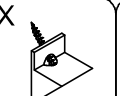

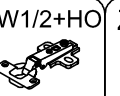

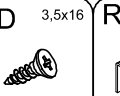

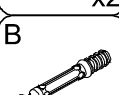

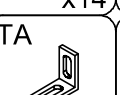




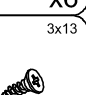


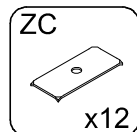


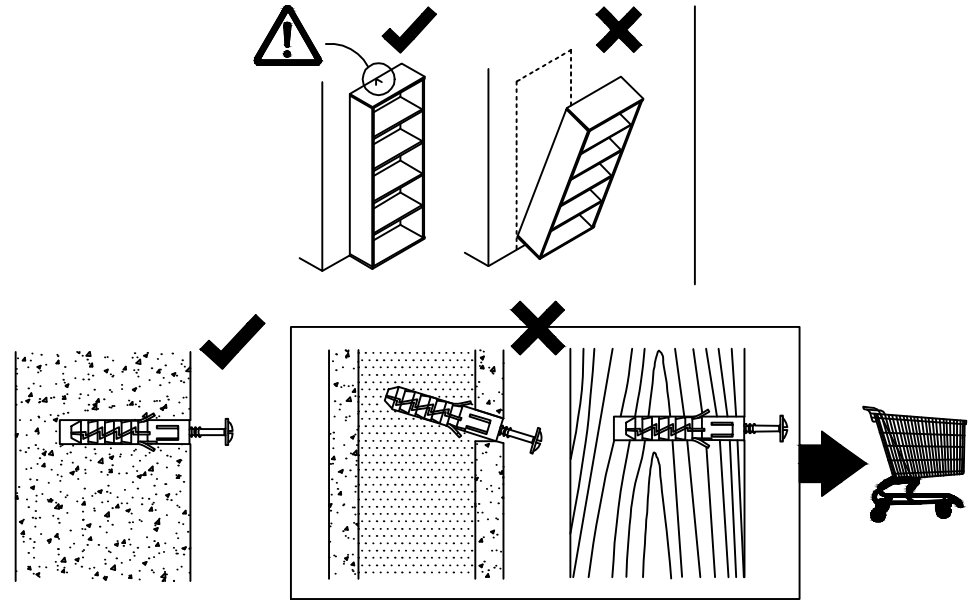
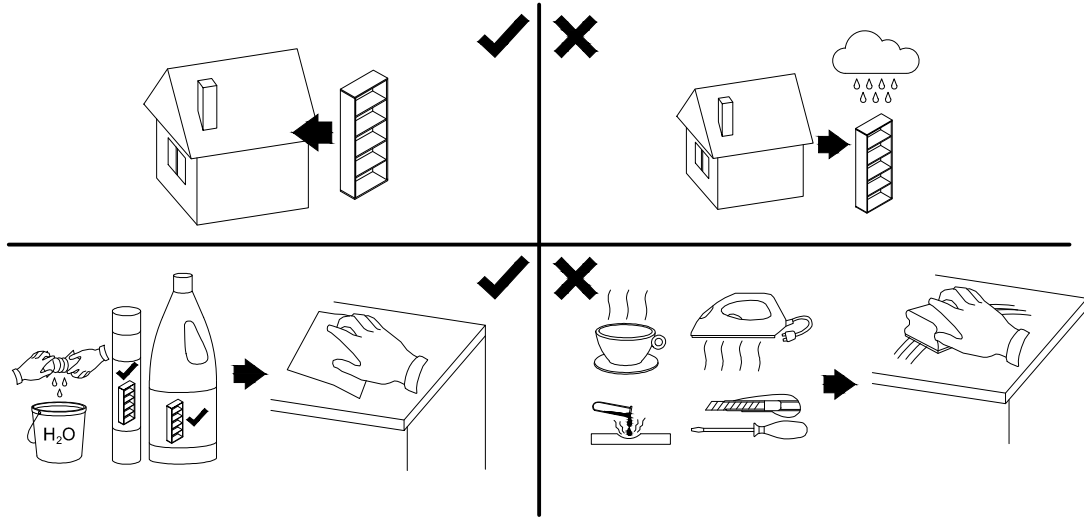


50 min.

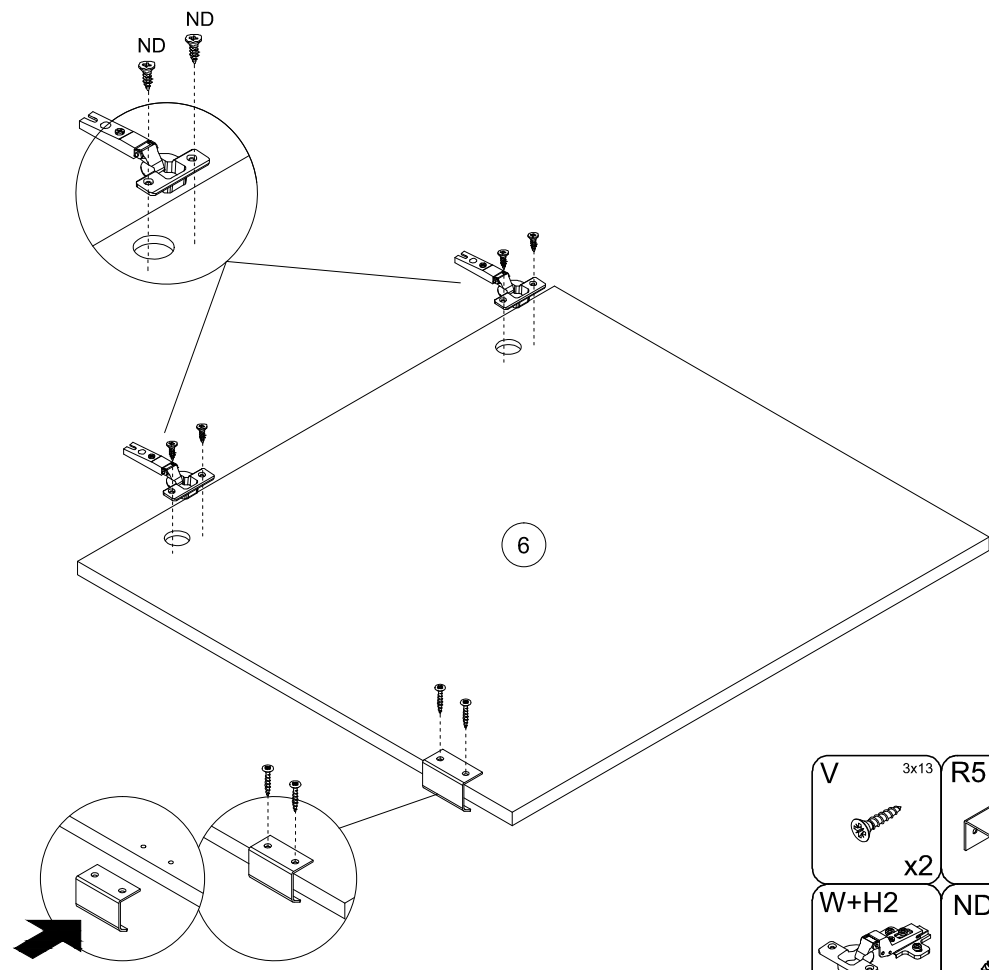
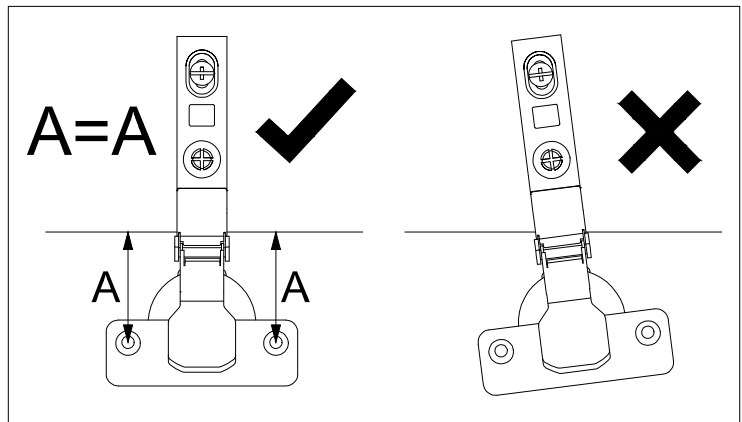
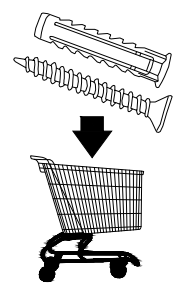


W+H2  x2	N  x12	X  x14	GLUE  x1	PW1/2+HO  x2	Z  x12	ND  x32	R5  x6
B  x16	A  x16	TA  x1	H  x8	C  x16	PPW  x8	ZZ  x8	V  x36

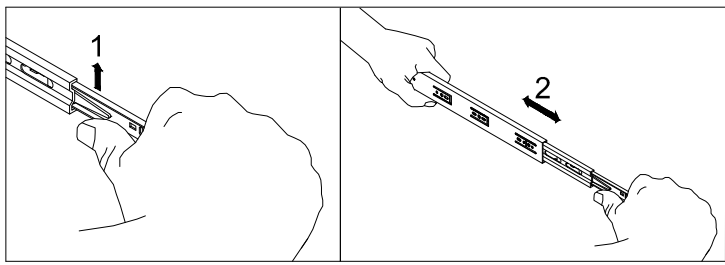




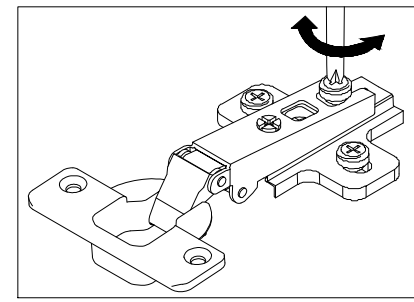
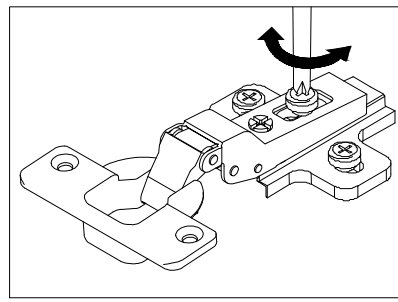
1	675	390	16	x1	2 / 3
2	675	390	16	x1	2 / 3
3	675	357	16	x1	2 / 3
3A	675	357	16	x1	2 / 3
4	1533	390	16	x1	2 / 3
5	1533	390	16	x1	2 / 3
6	668	496	16	x1	3 / 3
7	668	496	16	x1	3 / 3
8	164	496	12	x4	3 / 3
9	347	454	3	x4	3 / 3
10L	350	100	12	x4	2 / 3
10R	350	100	12	x4	2 / 3
11	445	100	12	x4	2 / 3
12A	687	502	3	x1	3 / 3
12B	687	502	3	x1	3 / 3
12C	687	505	3	x1	3 / 3
13	492	357	16	x1	3 / 3
13A	480	357	16	x1	3 / 3



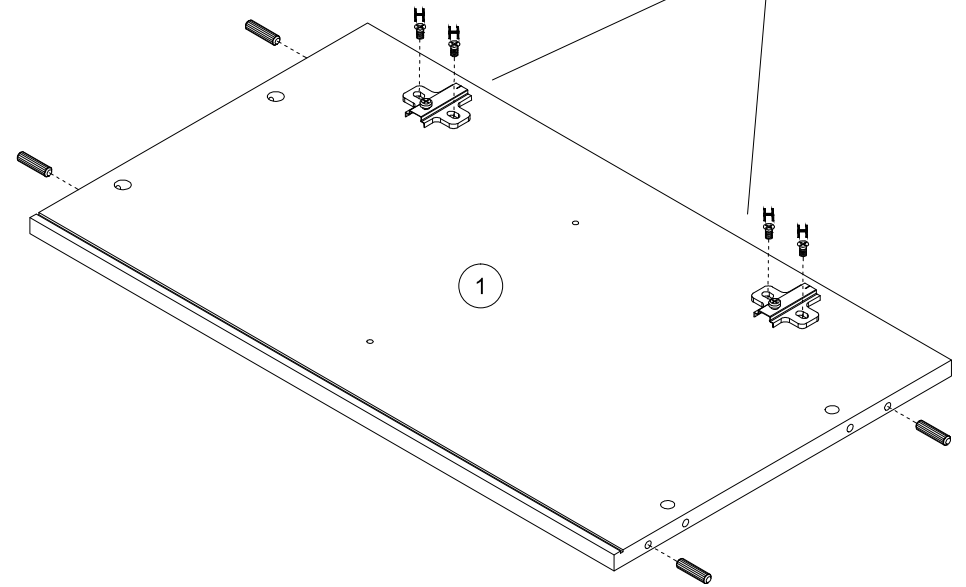
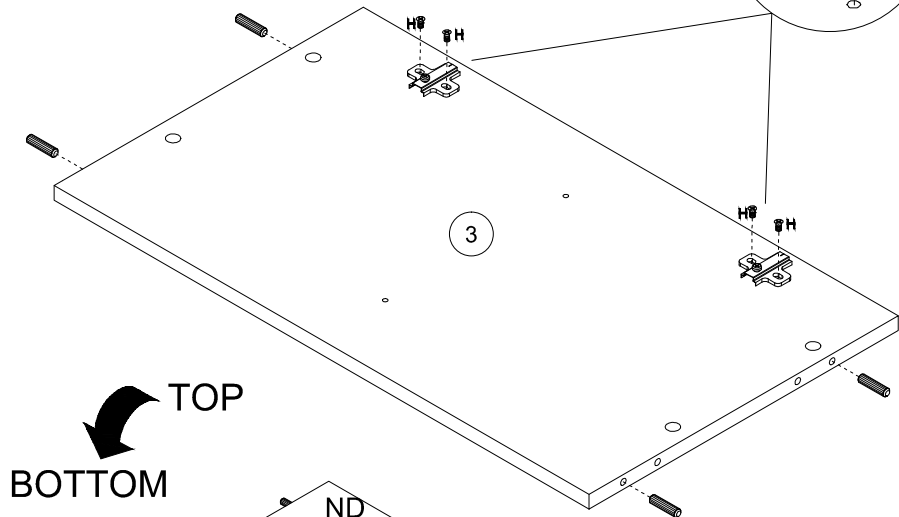
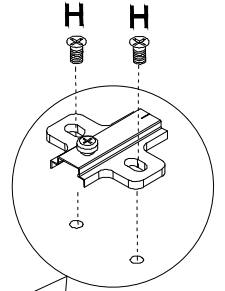
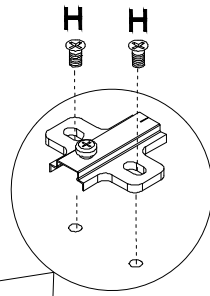
V	3x13	R5
	x2	
W+H2	ND	3,5x16
	x2	
		x4



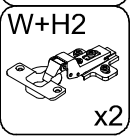
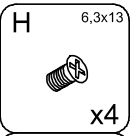
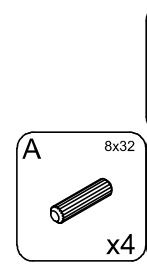
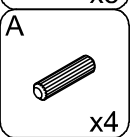
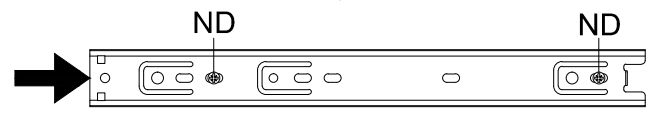
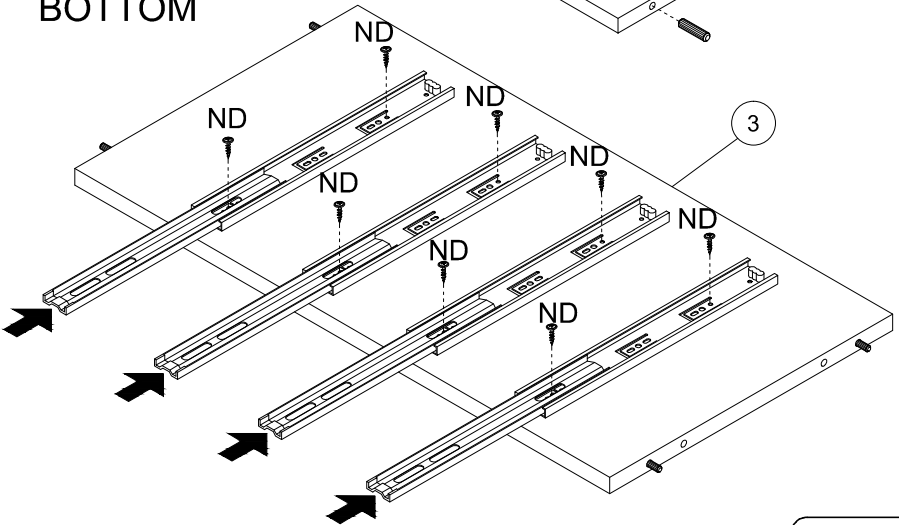
2



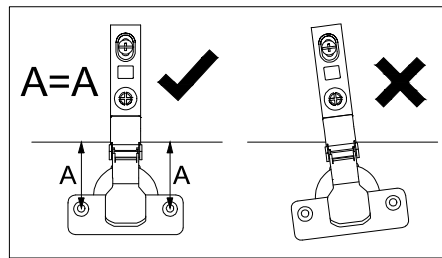
3



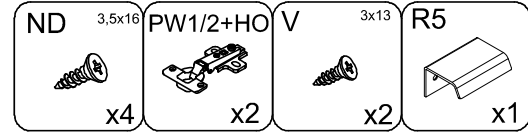
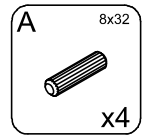
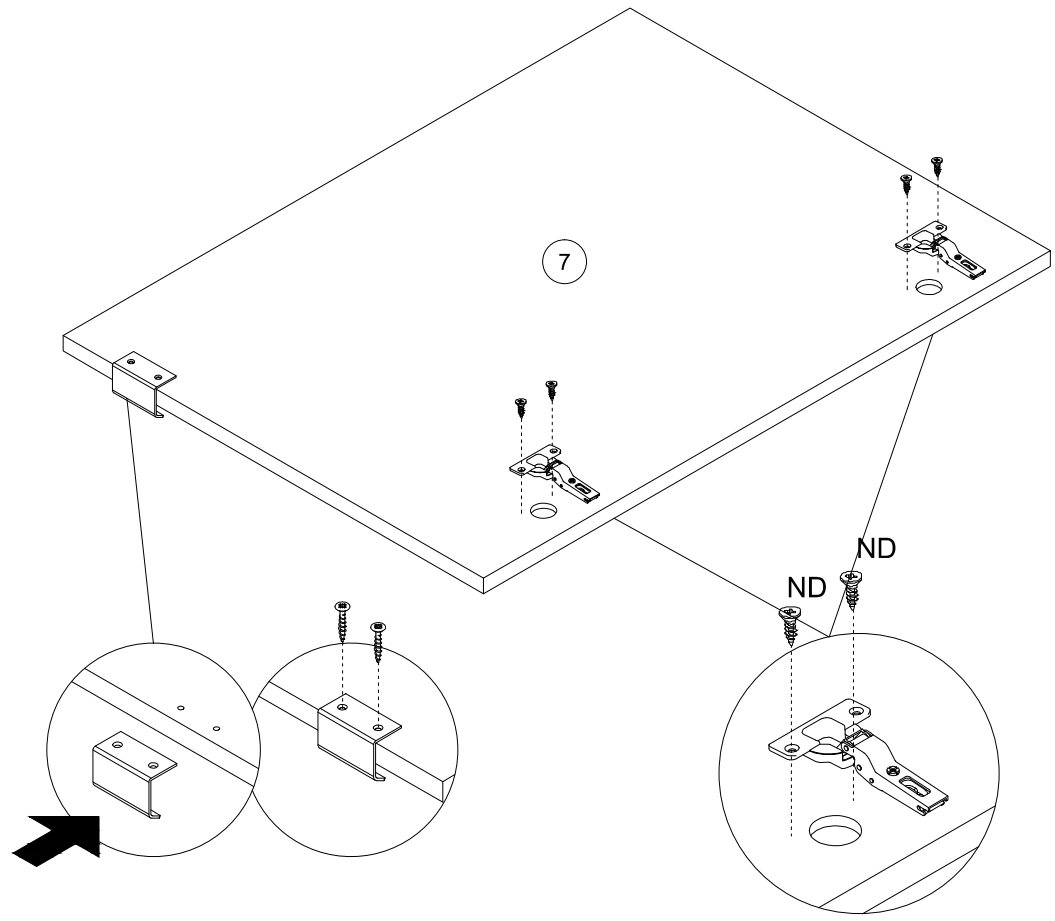
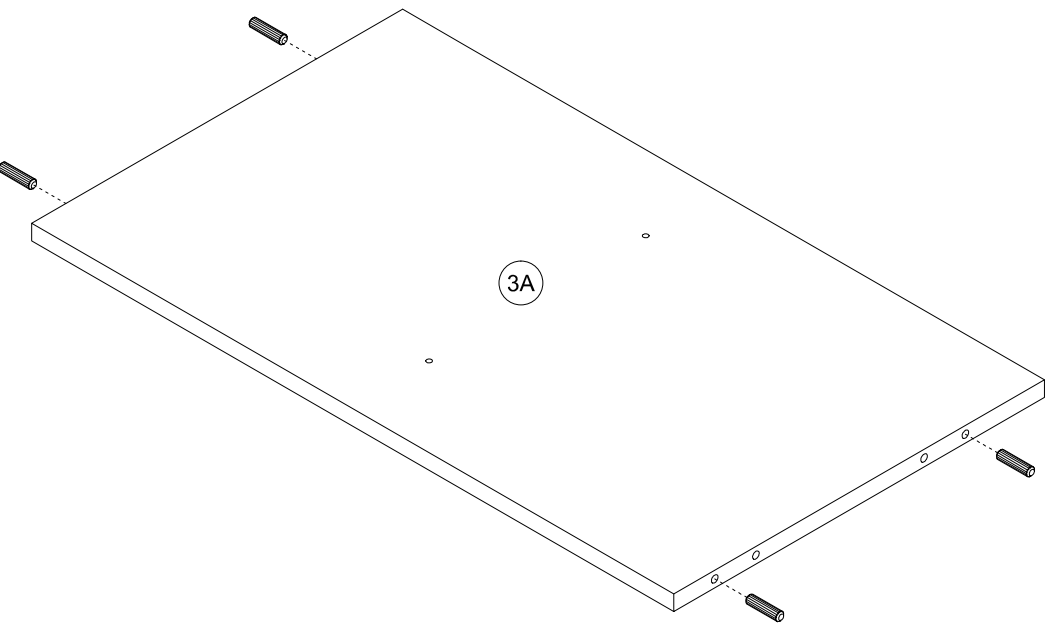
TOP  
BOTTOM

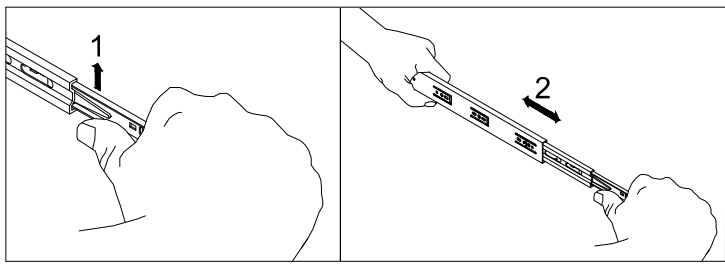


4

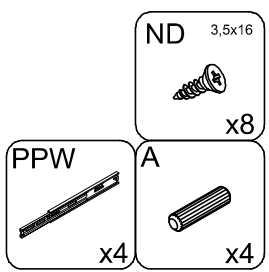
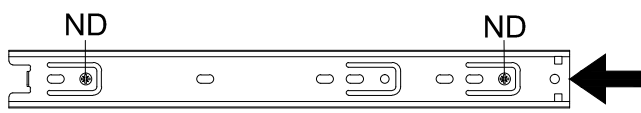
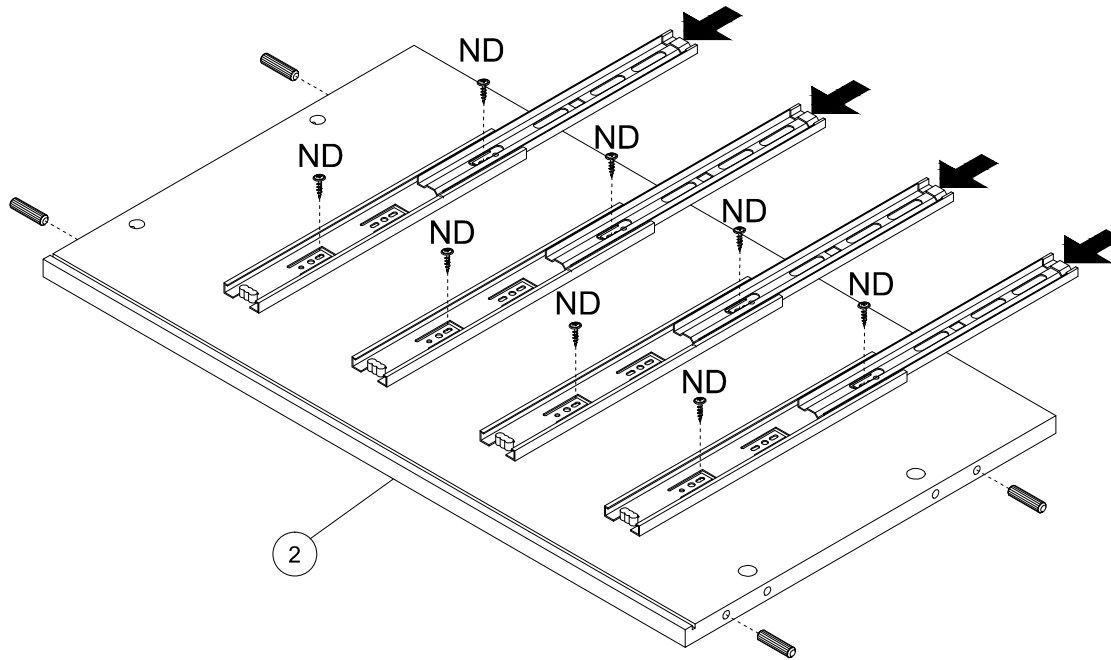


5

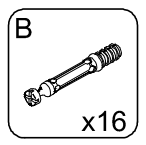
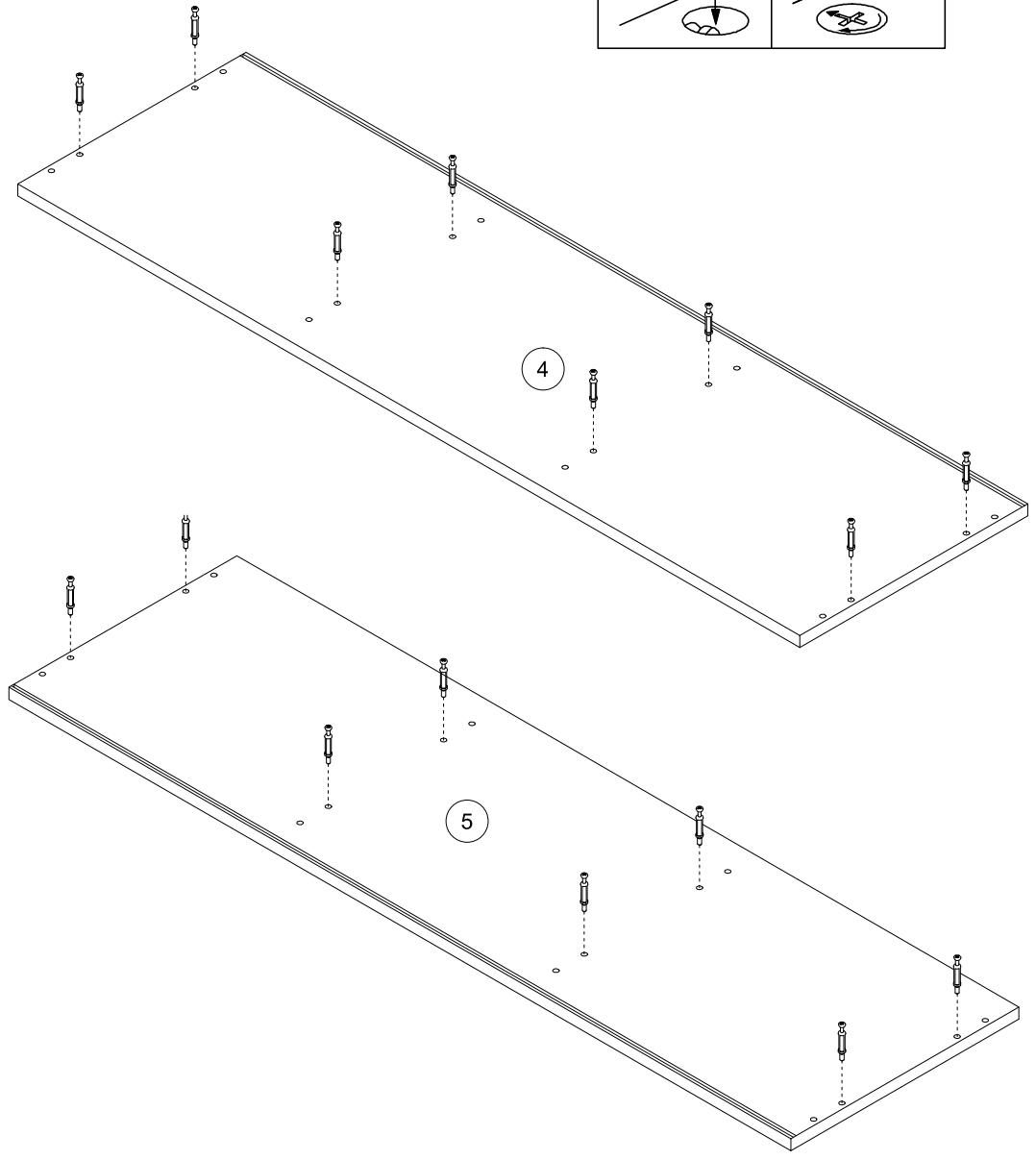
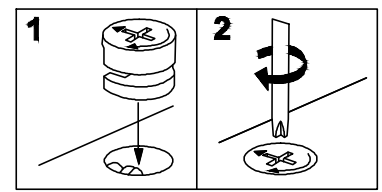


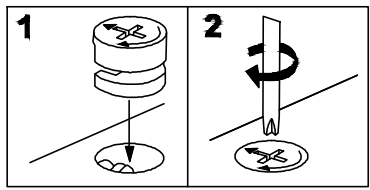


6

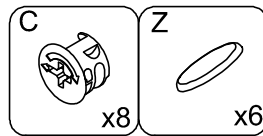
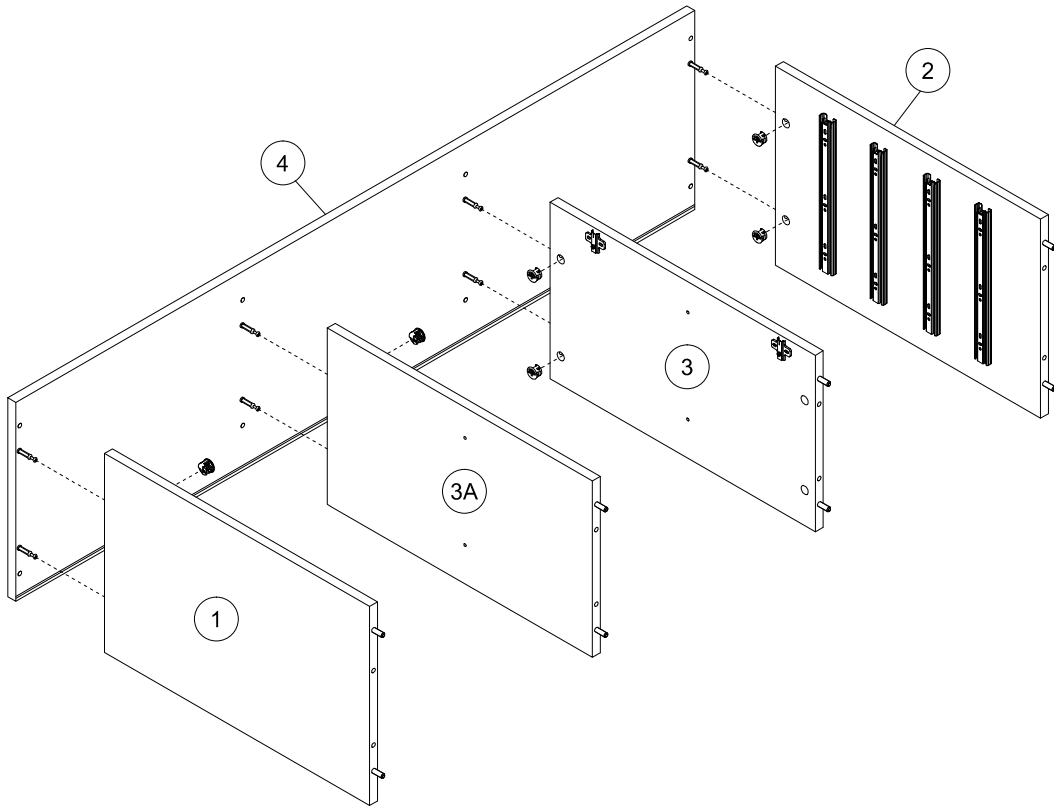


7

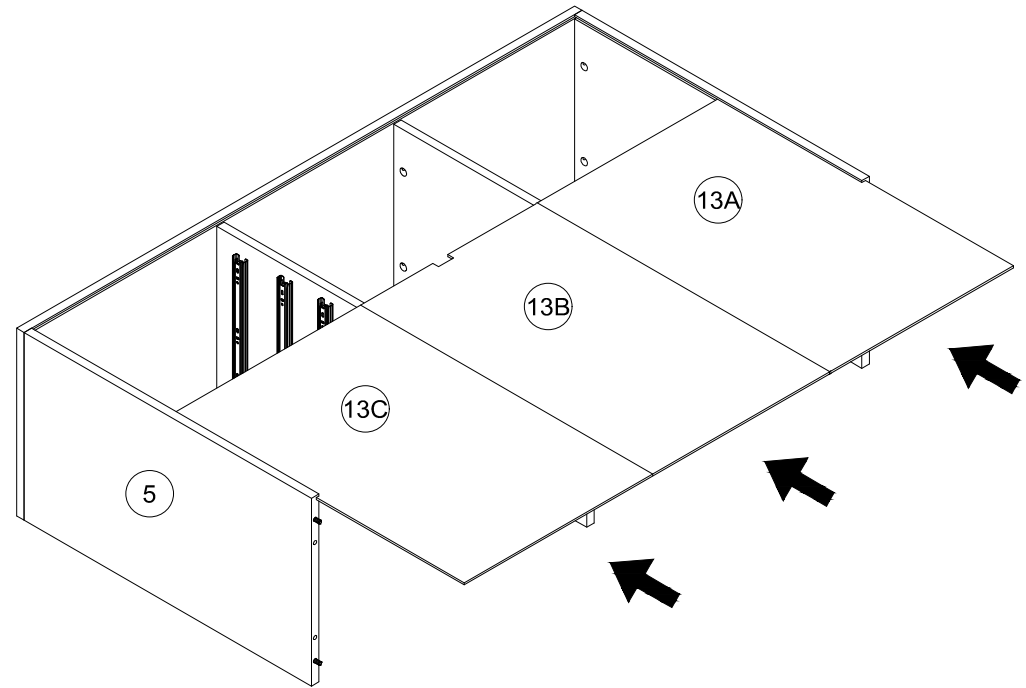


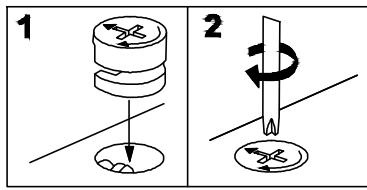
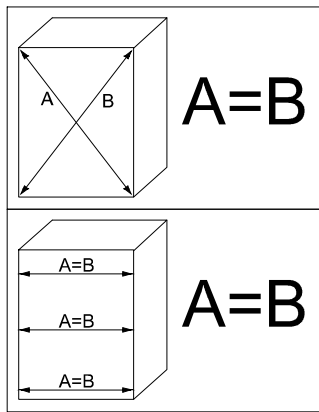


8

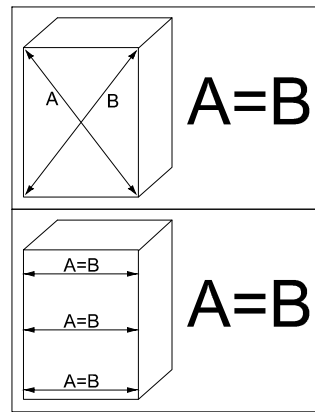


9

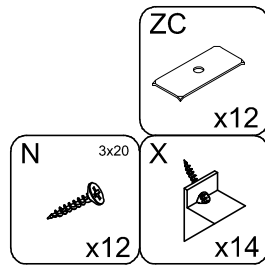
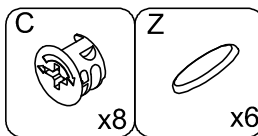
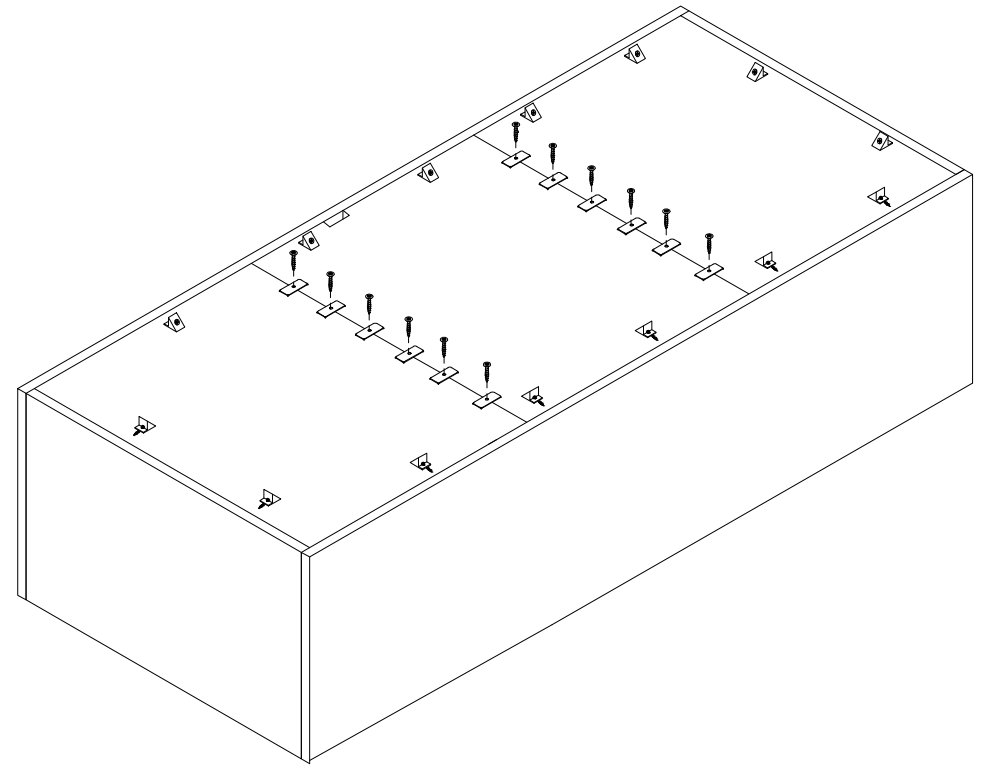
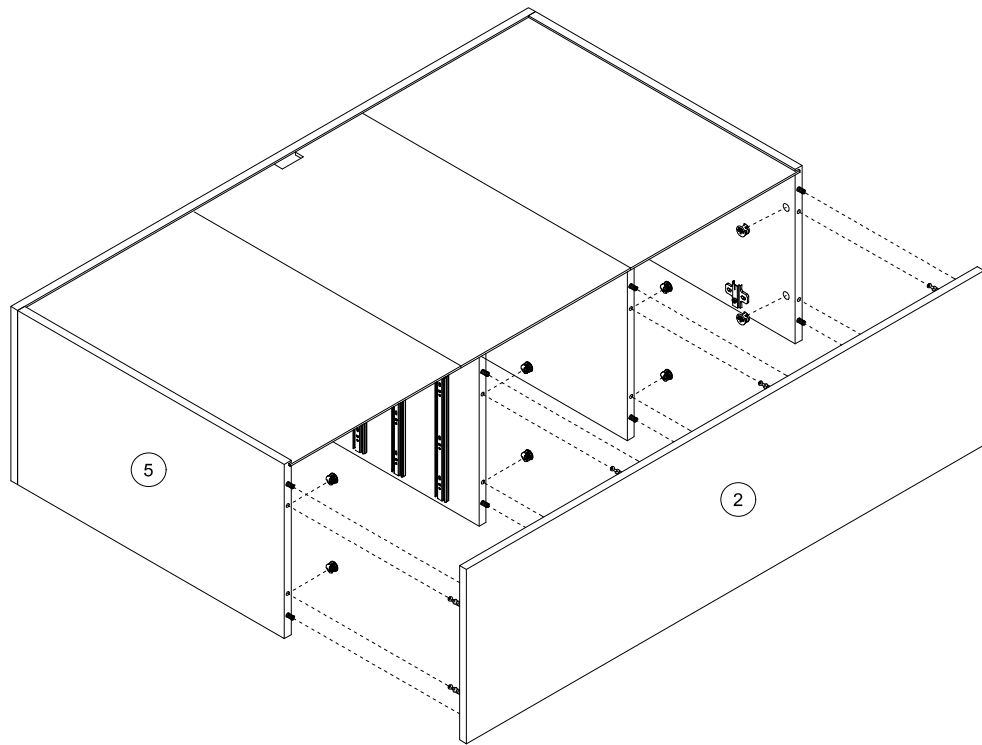




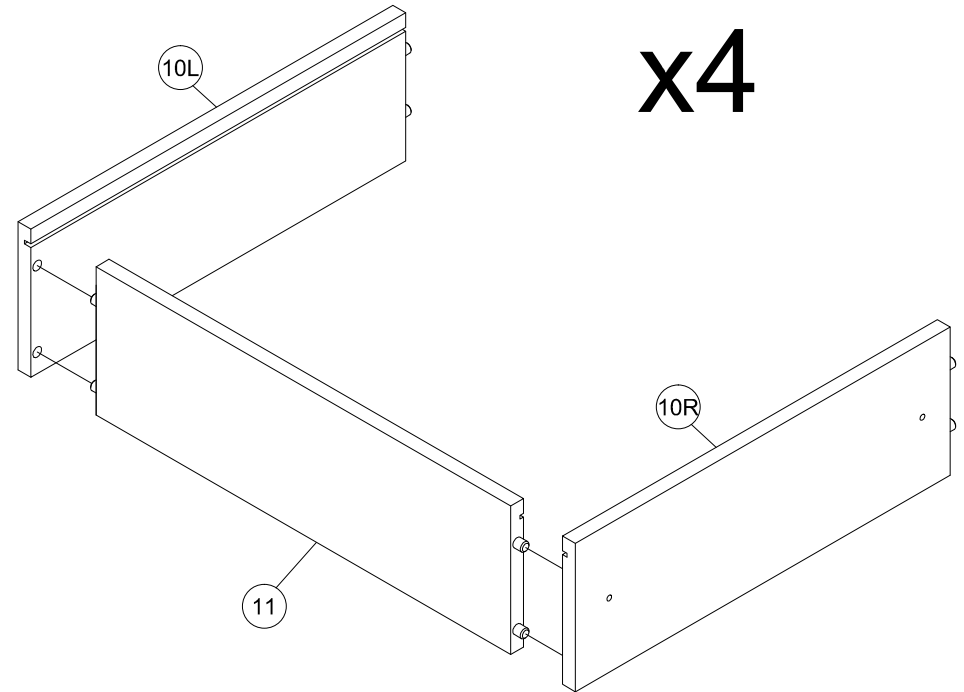
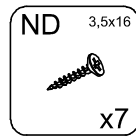
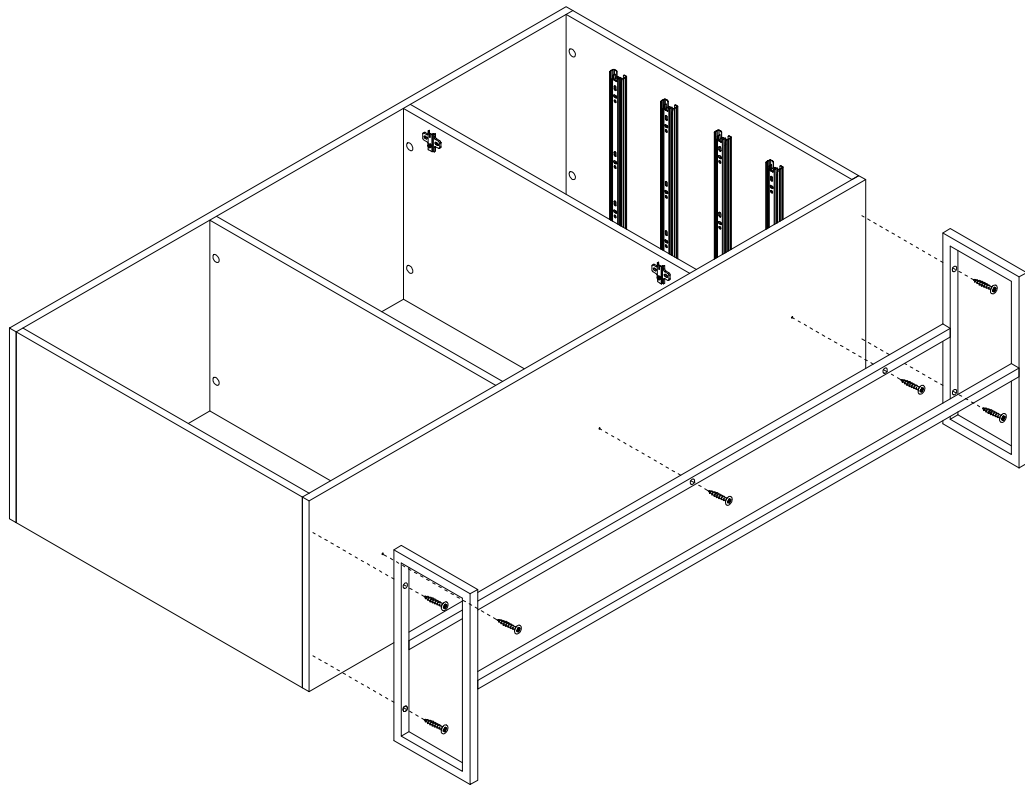
10



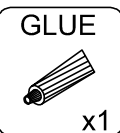
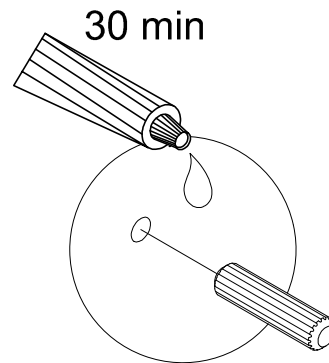
11



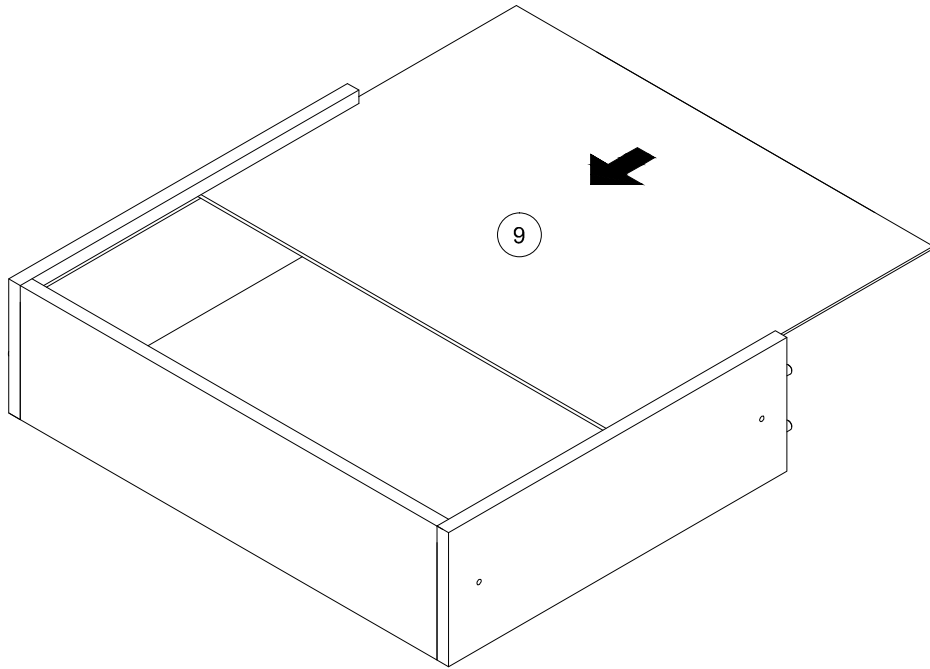




x4



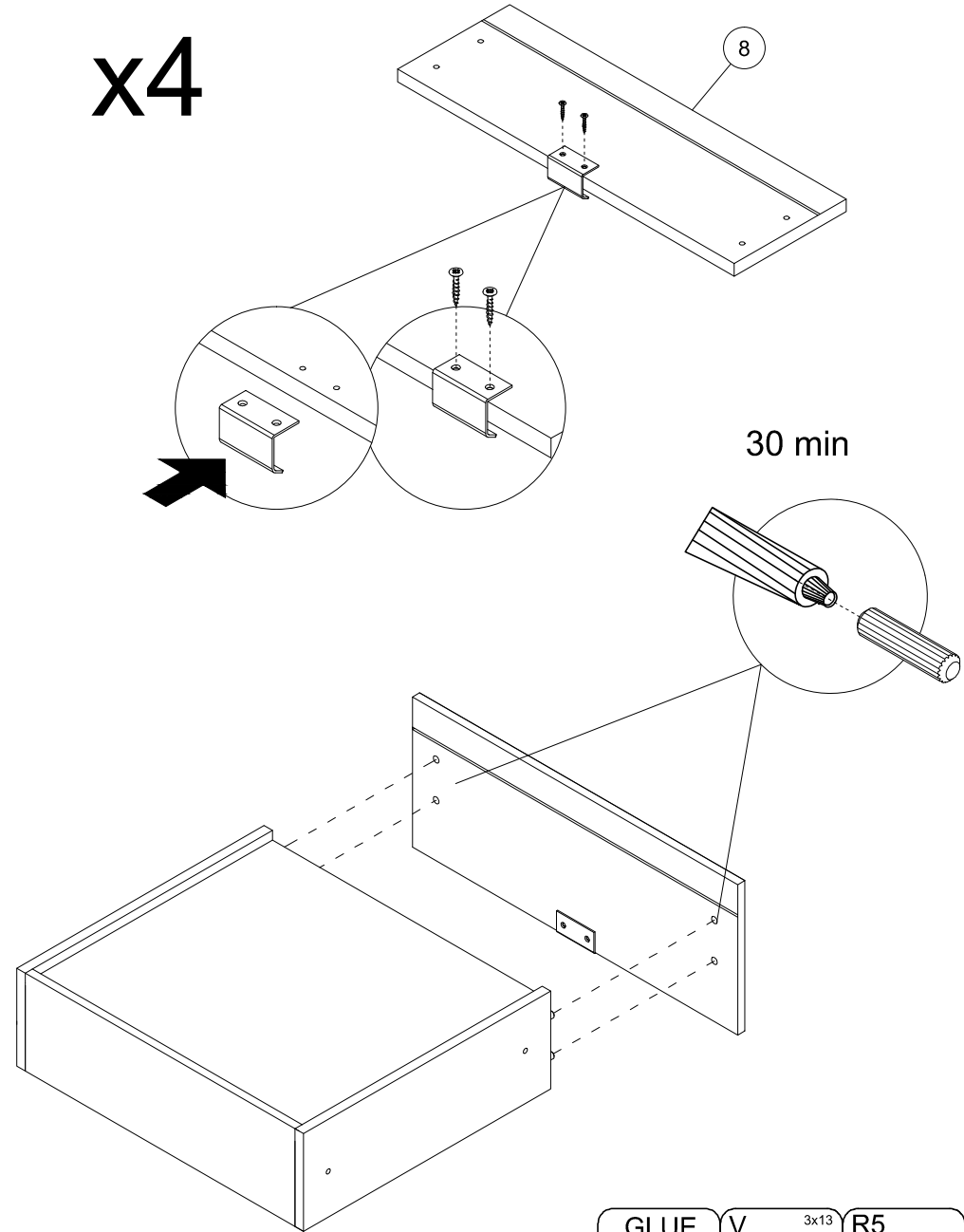
14






x4

15

x4

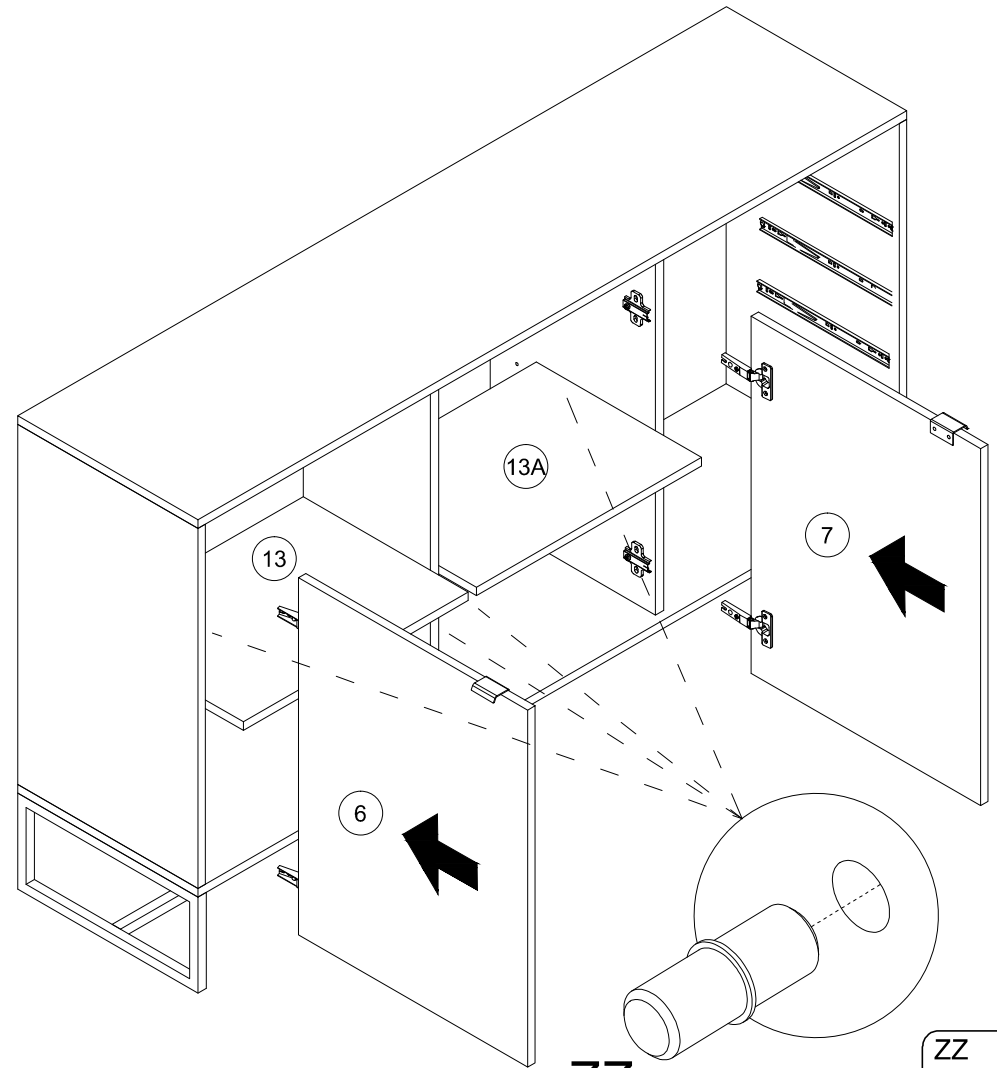
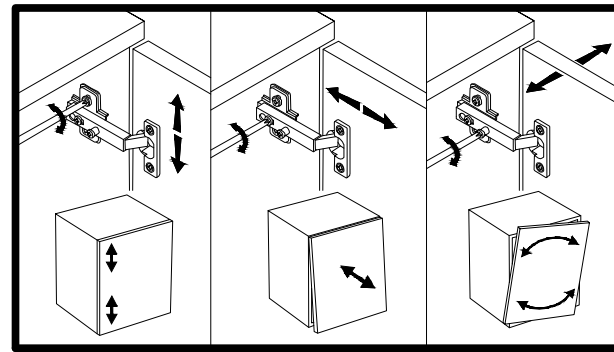
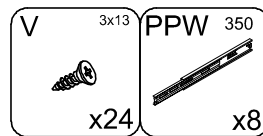
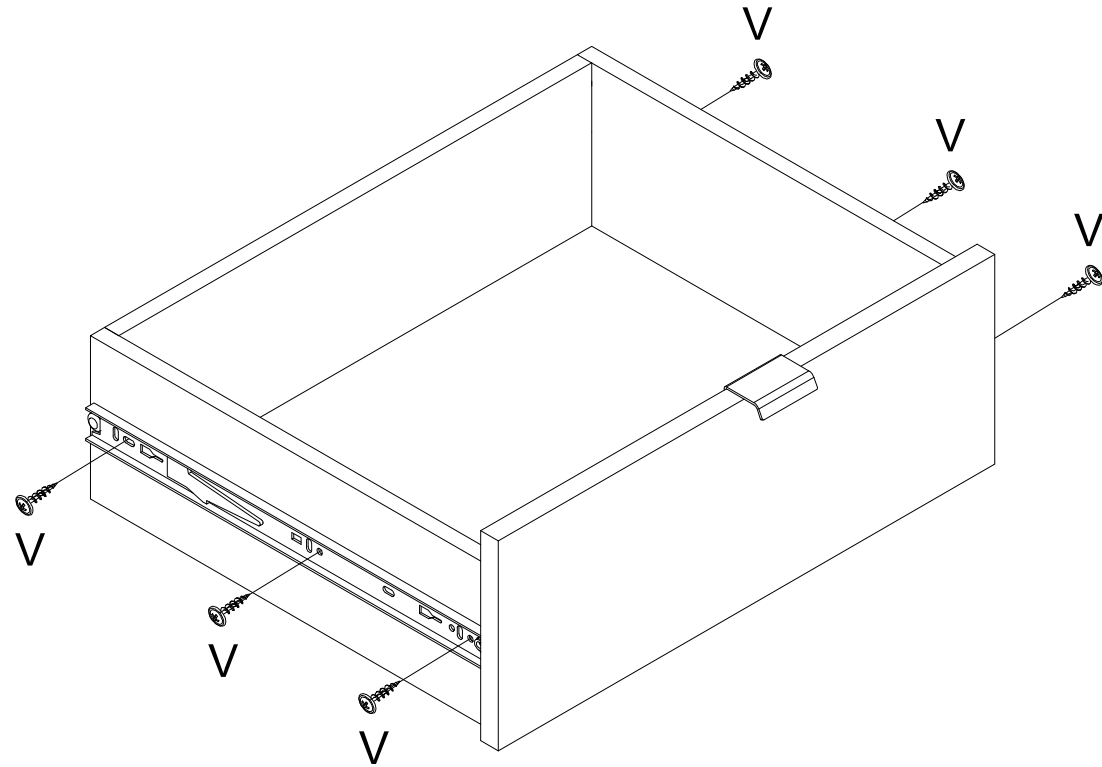


- |   |   |   |
|---|---|---|
| GLUE<br><br>x1 | V 3x13<br><br>x8 | R5<br><br>x4 |
|---|---|---|

16

17

x4



ZZ

