

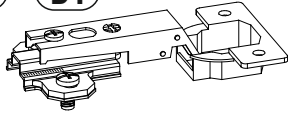
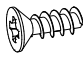
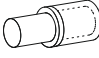
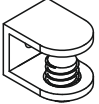
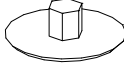

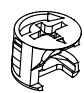
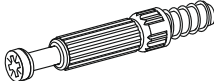
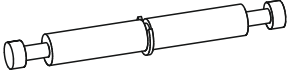
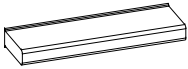
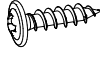
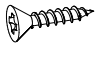
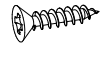
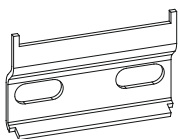
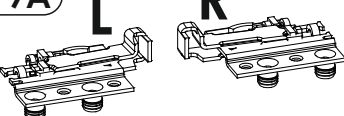
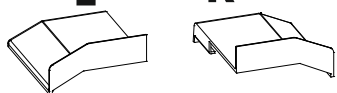


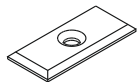

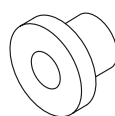
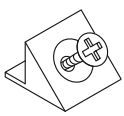
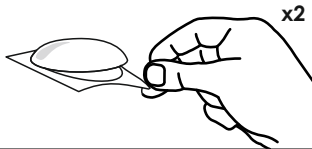
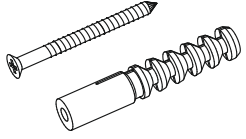
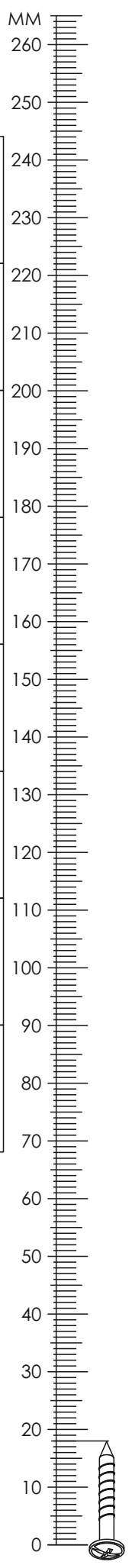
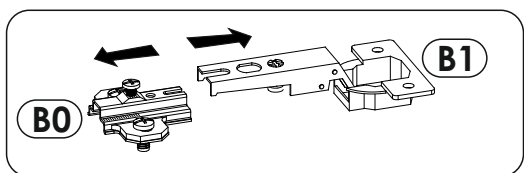
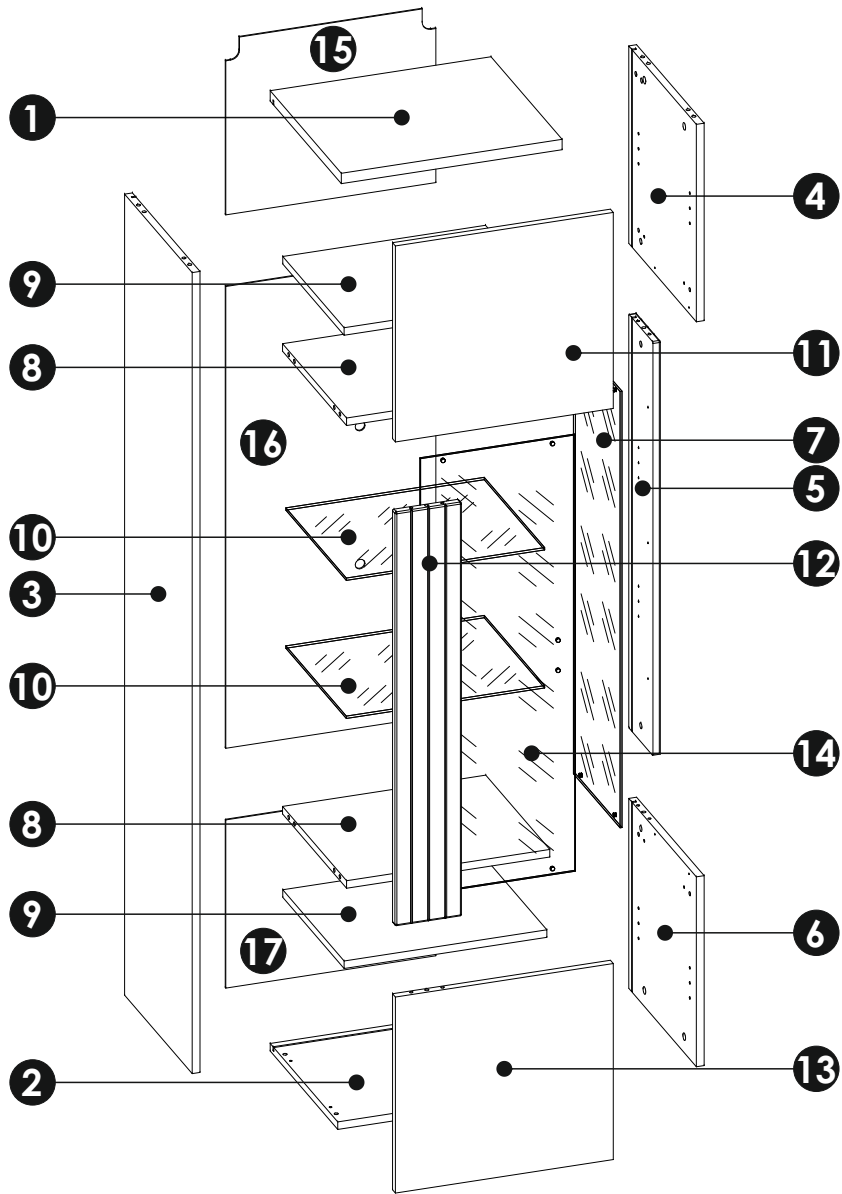
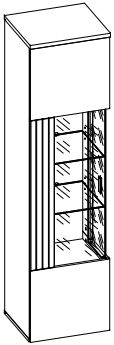


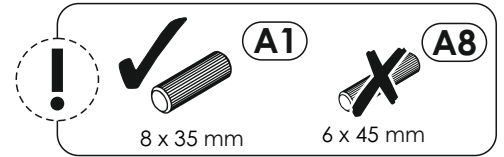
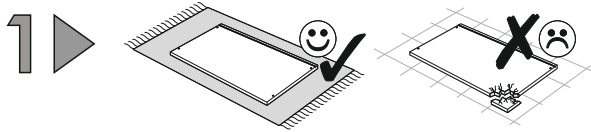
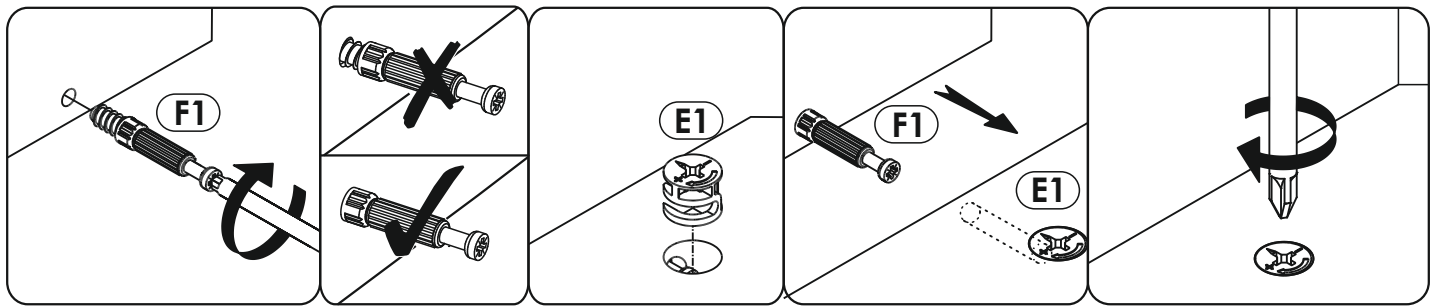
<b>A1</b> 8 x 35 mm x16 	<b>A8</b> 6 x 45 mm x8 	<b>B0 + B1</b> x4 
<b>C2</b> 5 x 13 mm x14 	<b>D2</b> x8 	<b>D5</b> x6 
<b>E0</b> Ø16 x16 	<b>E1</b> 15 x 12 mm x16 	<b>E4</b> 12 x 10 mm x8 
<b>F1</b> 6 x 34 mm x16 	<b>F3</b> 7 x 64 mm x4 	<b>H1</b> x1 L - 84 mm 
<b>I2</b> 4 x 16 mm x10 	<b>N1</b> 3 x 16 mm x10 	<b>N5</b> 3,5 x 16 mm x4 
<b>P8B</b> x2 	<b>P9A</b> L R x1 	<b>P9B</b> L R x1 
<b>P15</b> x3 	<b>P16</b> x8 	<b>R1</b> x4 
<b>R2</b> x6 	<b>R3</b> x10 	<b>R4</b> x10 
<b>R8</b> x2 	<b>S13</b> x4 Ø8 	



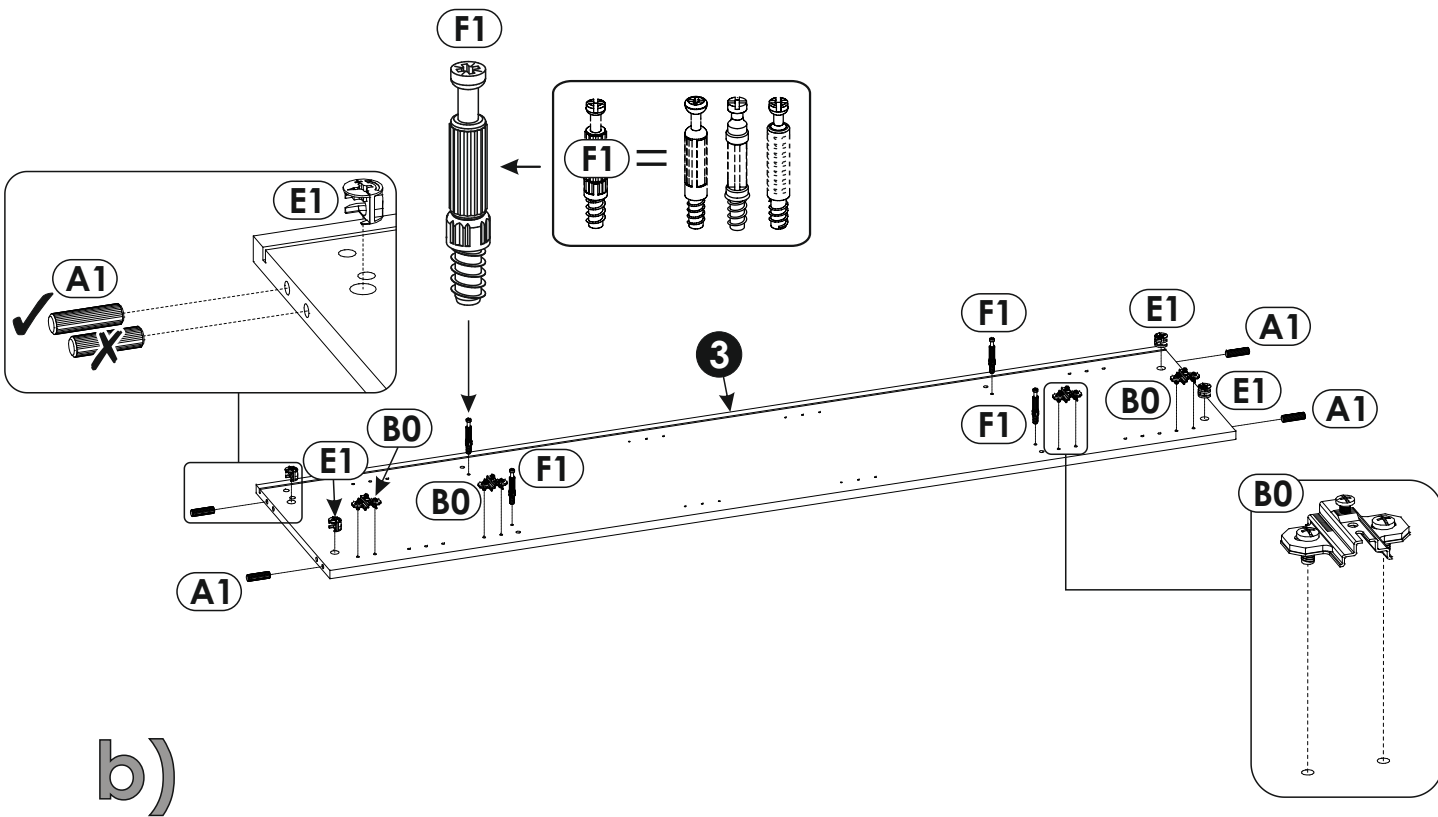
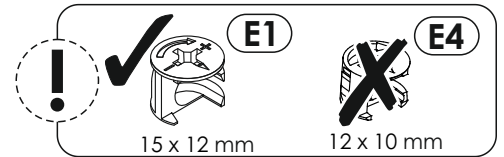
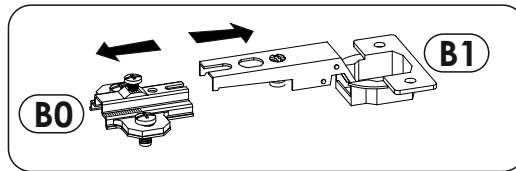


<b>1</b>	452	400	22	x1	1/2
<b>2</b>	450	380	16	x1	1/2
<b>3</b>	1700	380	16	x1	2/2
<b>4</b>	419	380	16	x1	2/2
<b>5</b>	878	136	16	x1	1/2
<b>6</b>	403	380	16	x1	2/2
<b>7</b>	926	262	4	x1	2/2
<b>8</b>	416	360	16	x2	2/2
<b>9</b>	415	345	16	x2	2/2

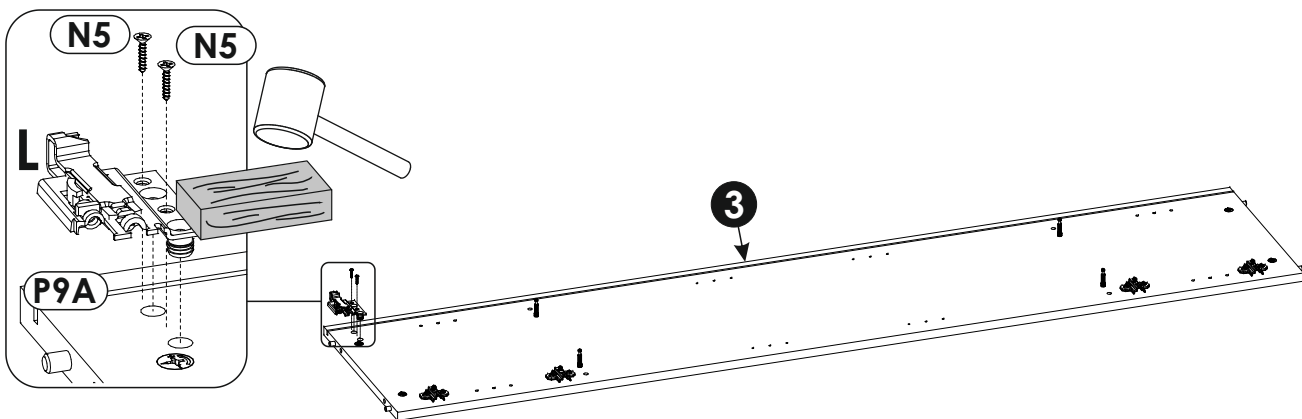
<b>10</b>	406	340	5	x2	1/2
<b>11</b>	416	446	16	x1	1/2
<b>12</b>	878	136	16	x1	1/2
<b>13</b>	416	446	16	x1	1/2
<b>14</b>	926	317	4	x1	2/2
<b>15</b>	373	430	3	x1	2/2
<b>16</b>	980	430	3	x1	1/2
<b>17</b>	357	430	3	x1	2/2



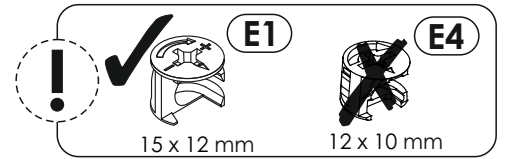
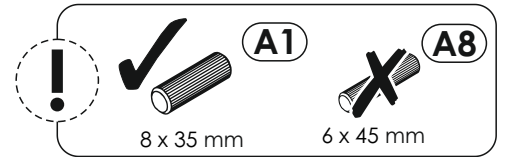
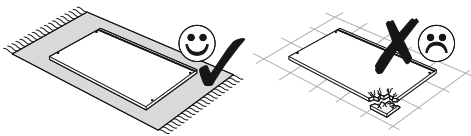
a)



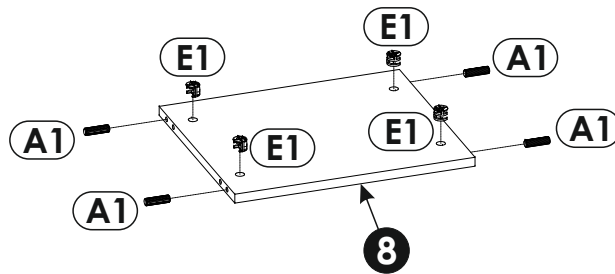
b)



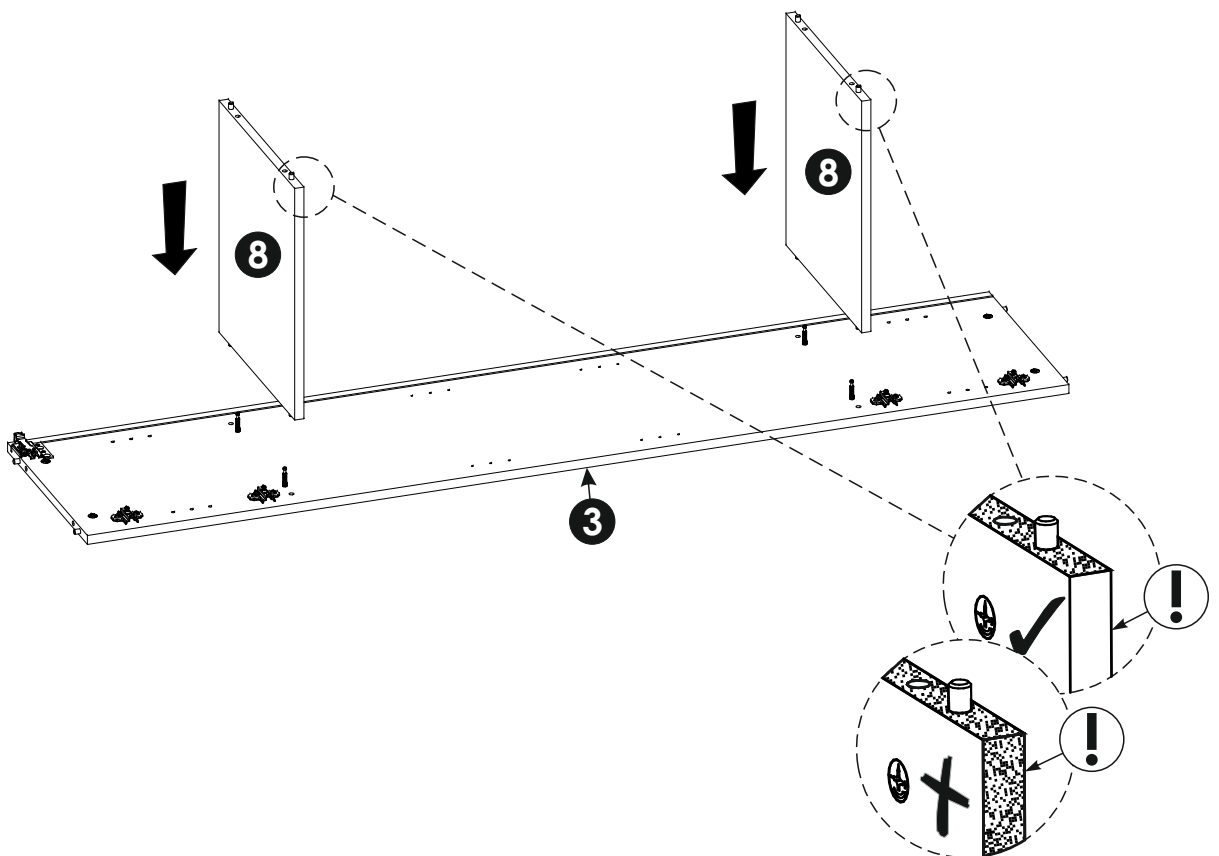
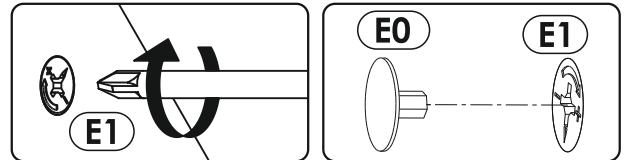
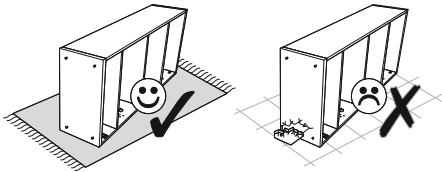
2 ▶



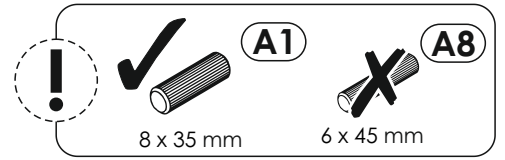
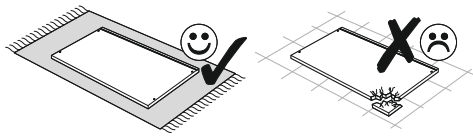
x2



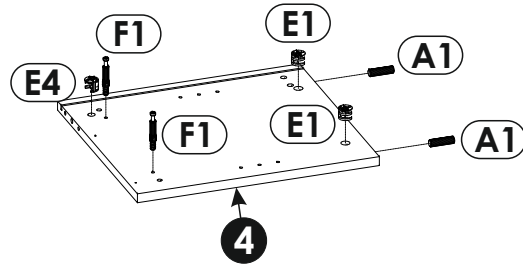
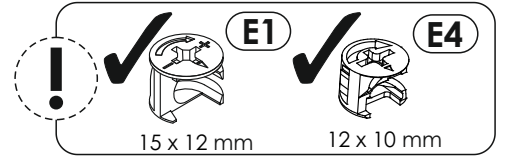
3 ▶



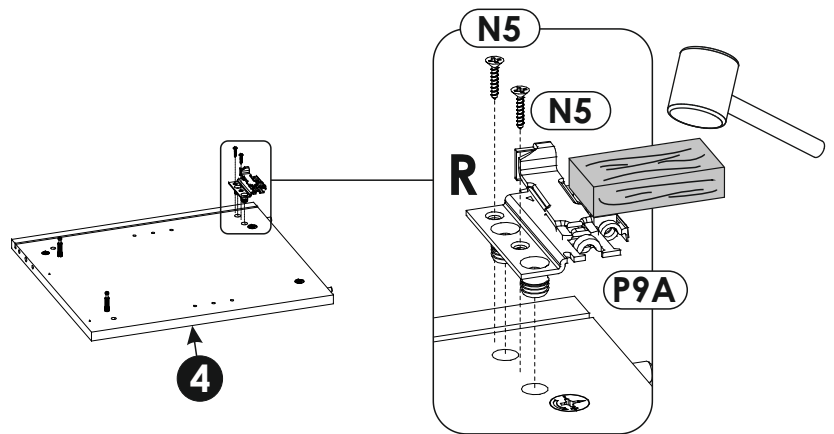
4 ▶



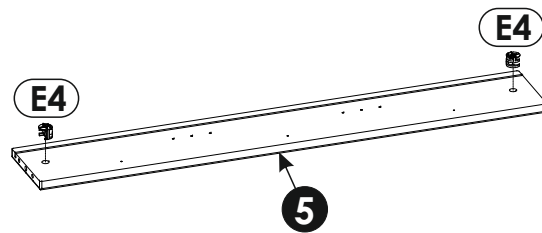
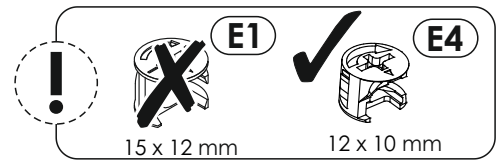
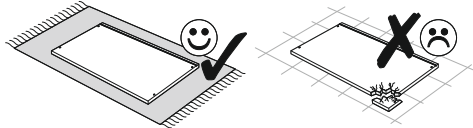
a)



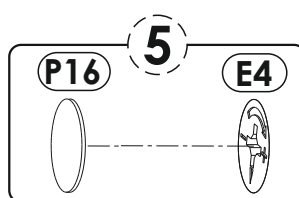
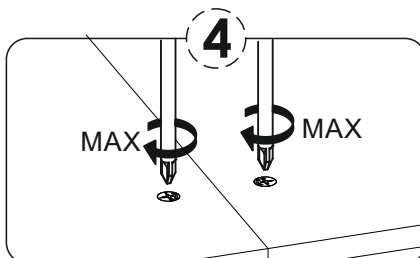
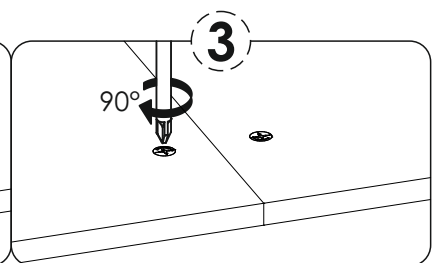
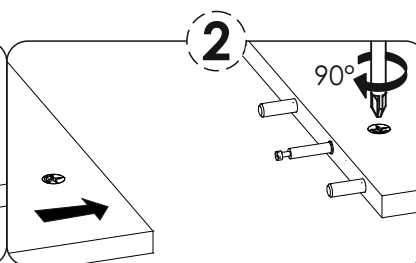
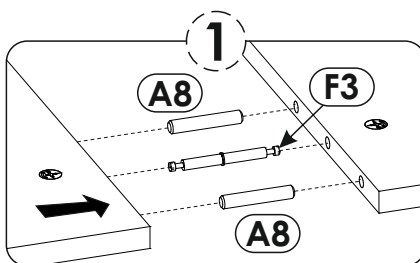
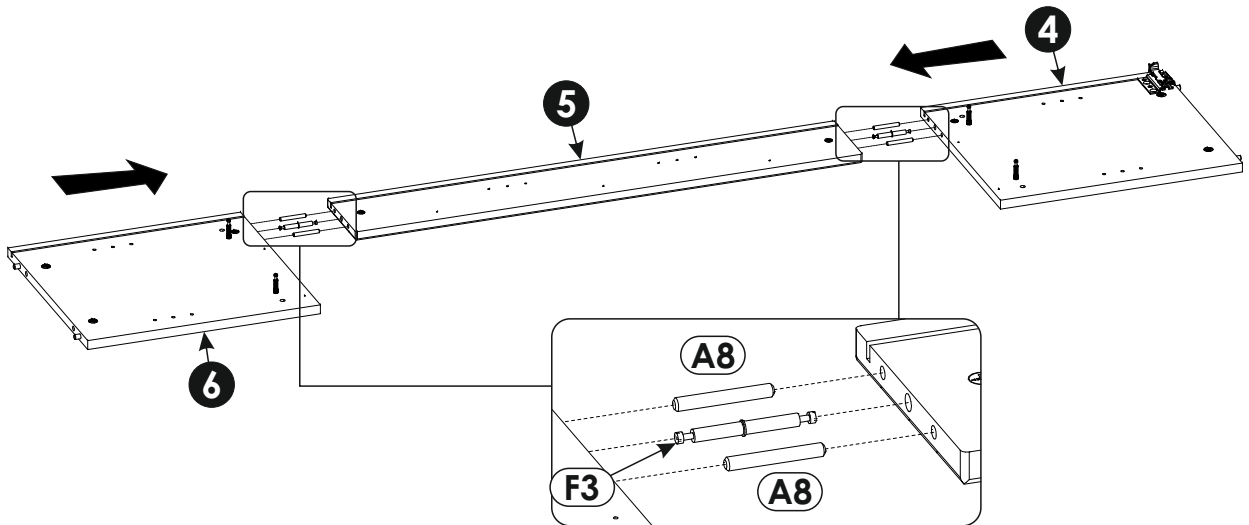
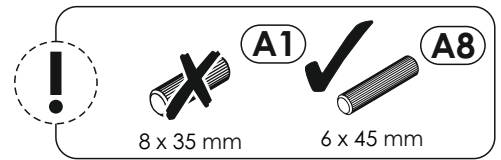
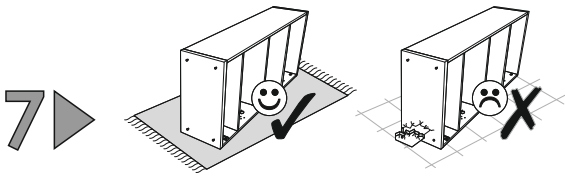
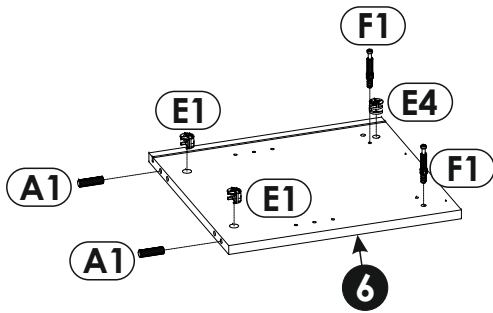
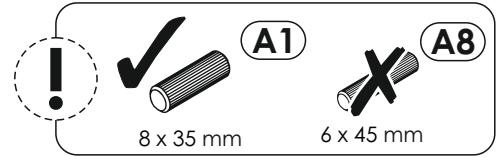
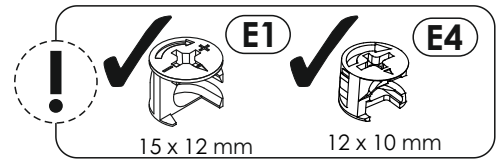
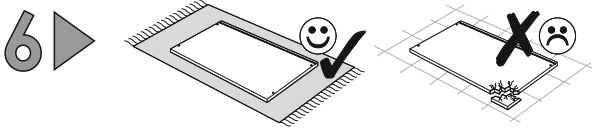
b)

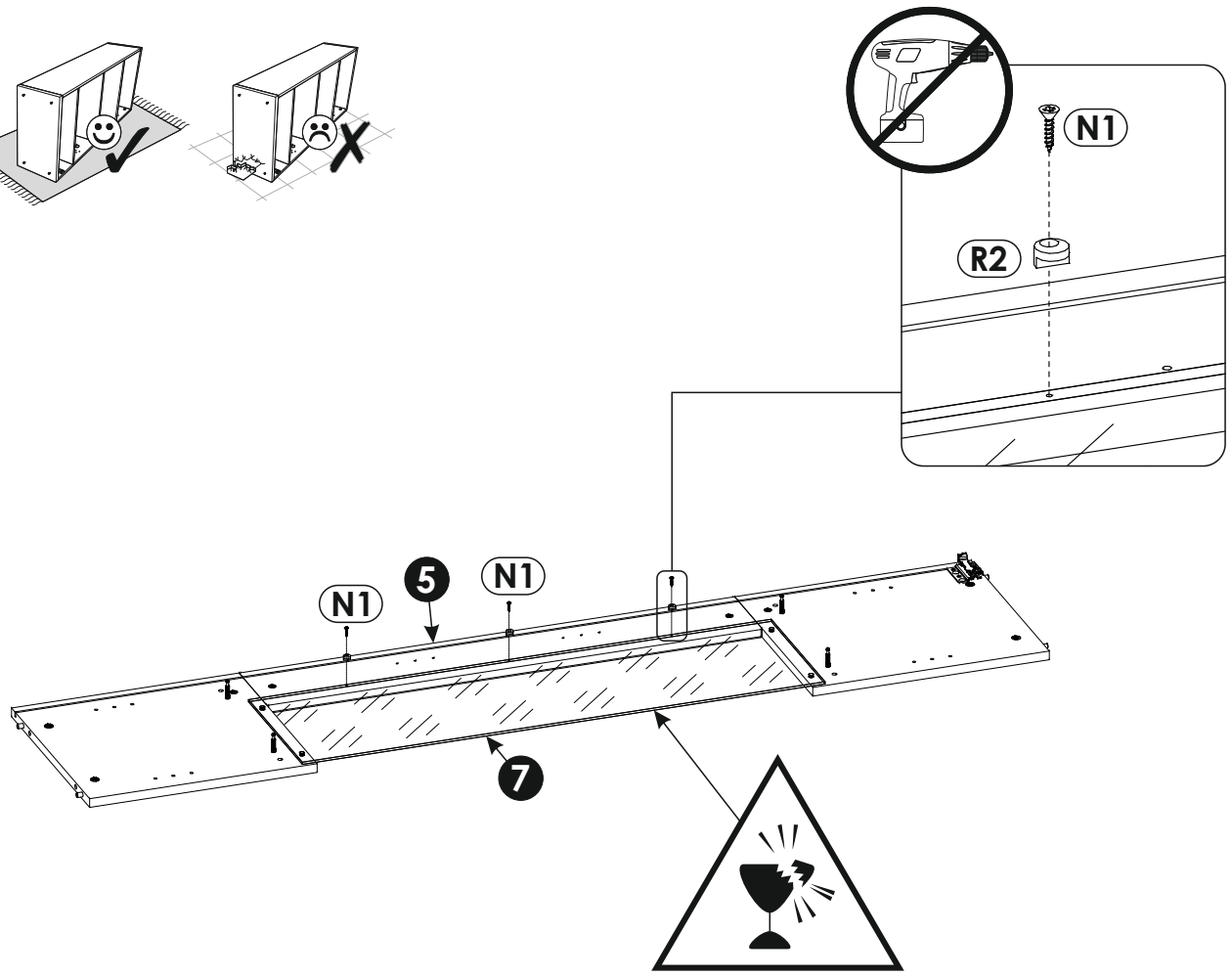
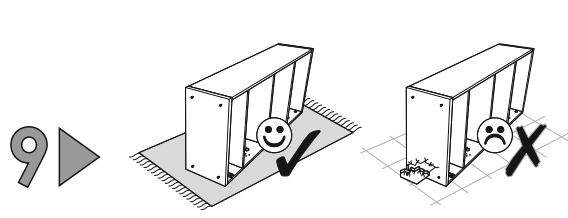
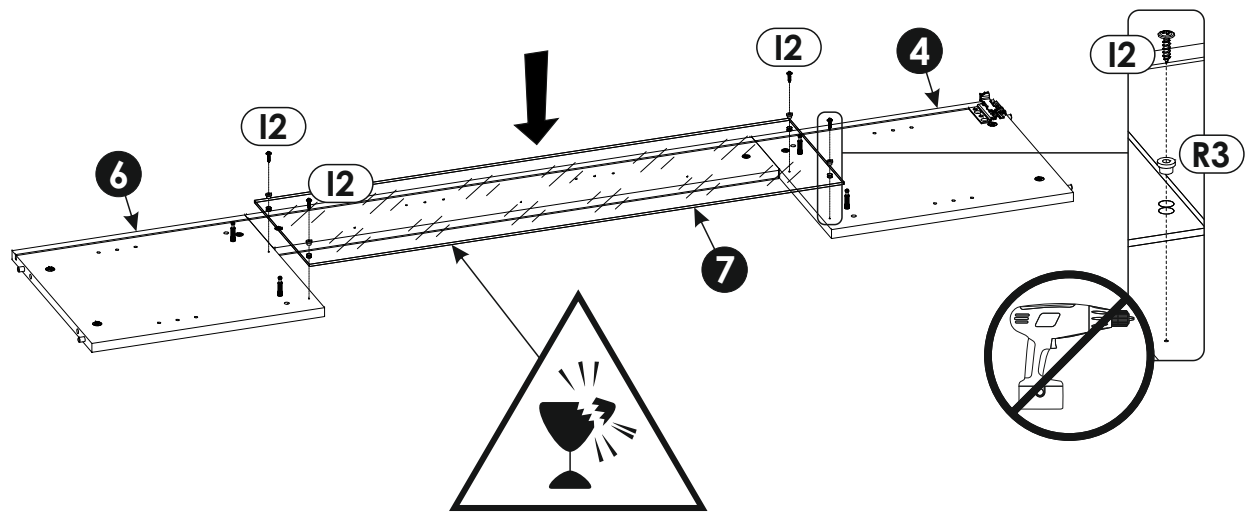
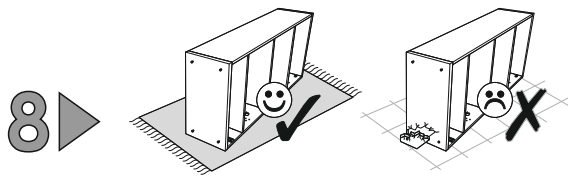


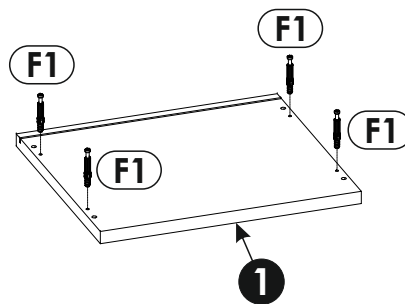
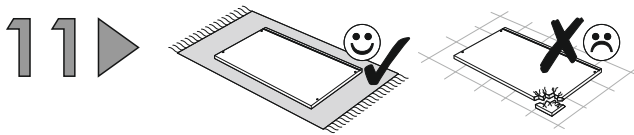
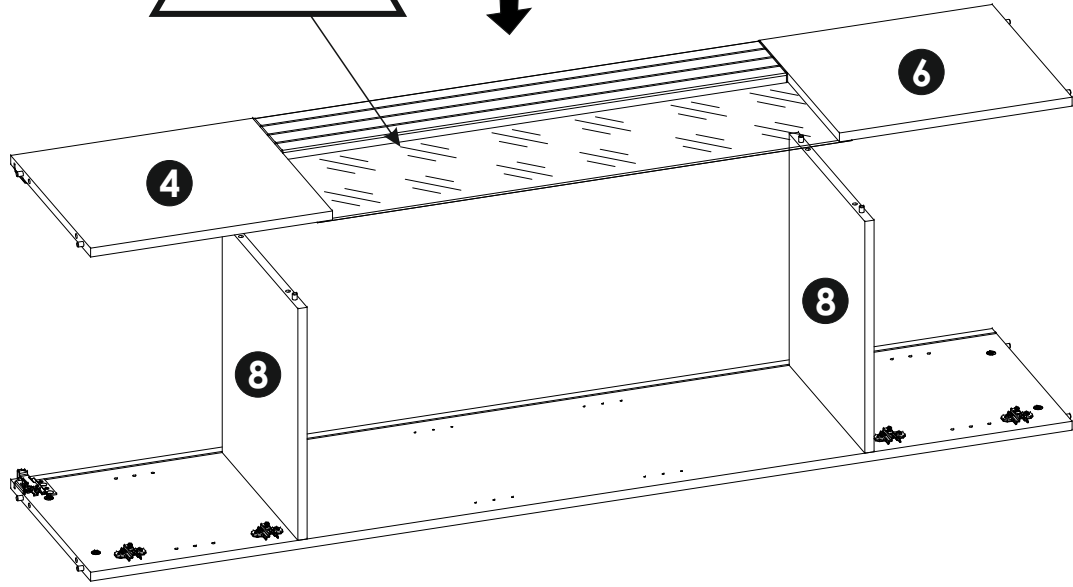
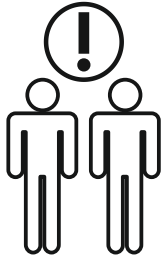
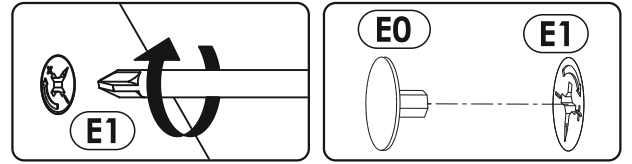
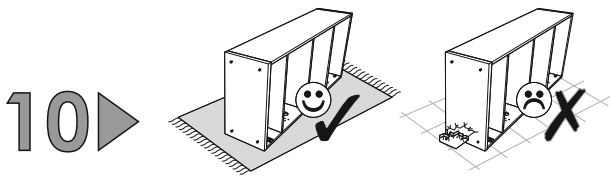
5 ▶

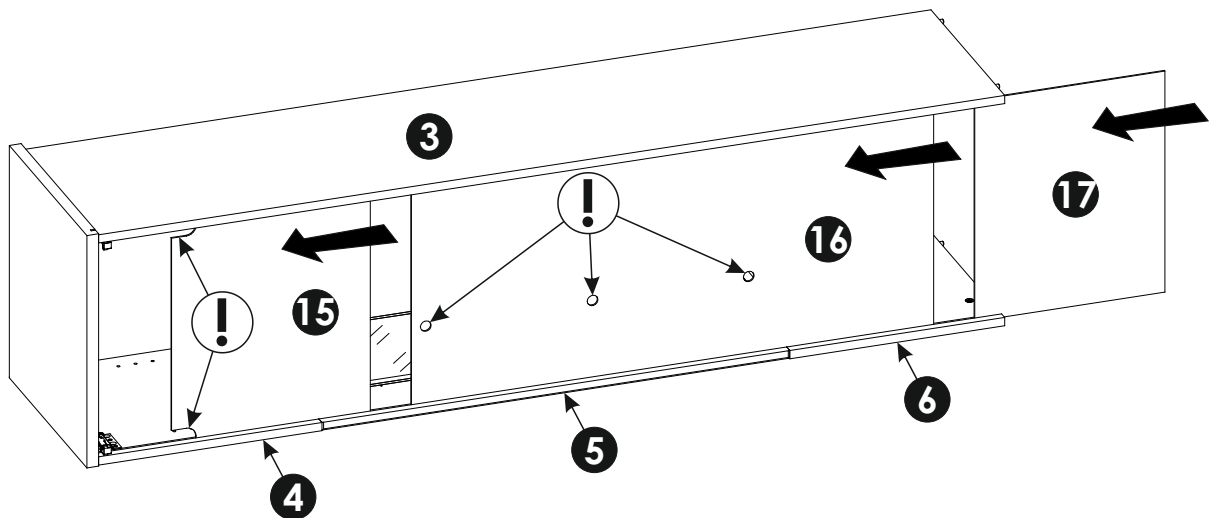
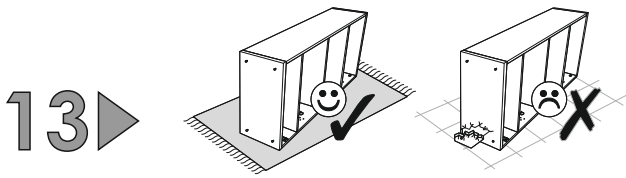
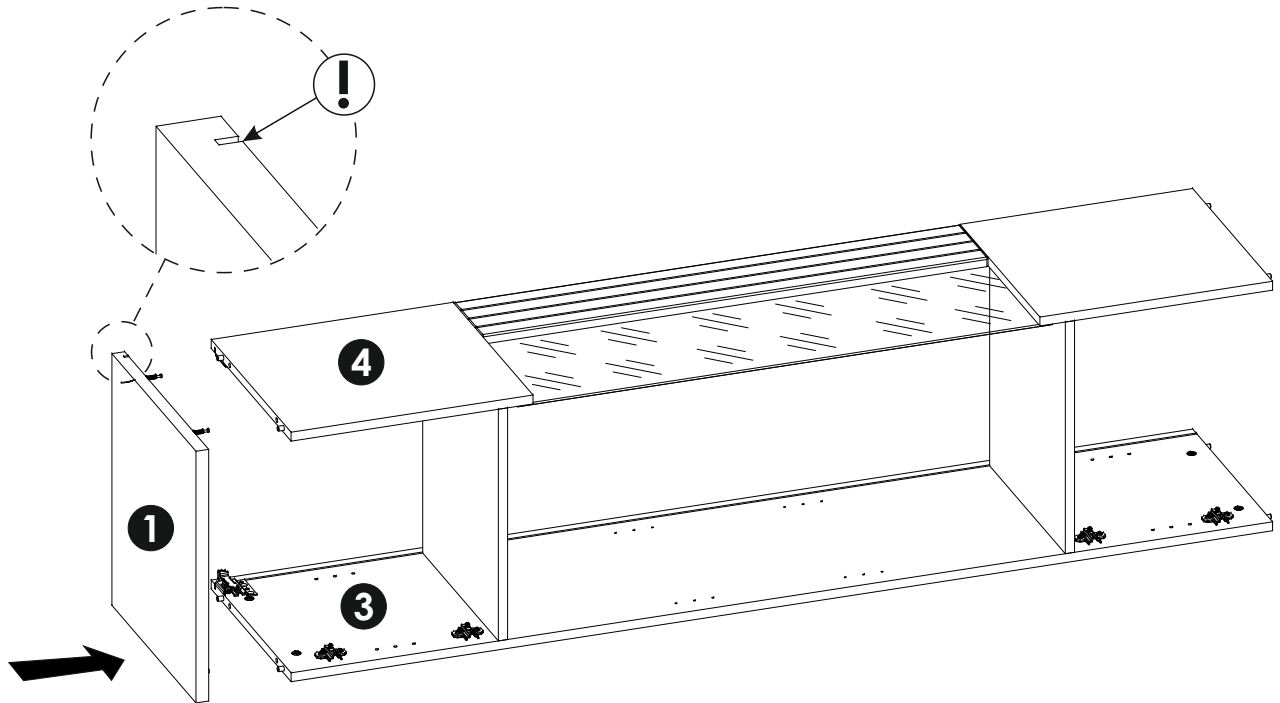
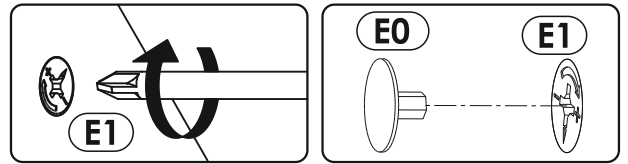
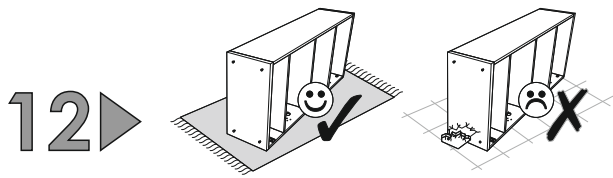




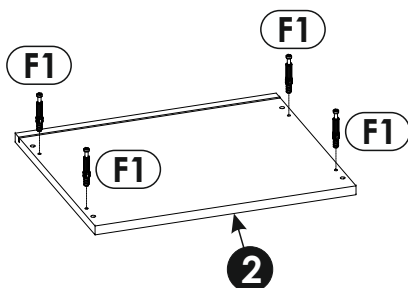
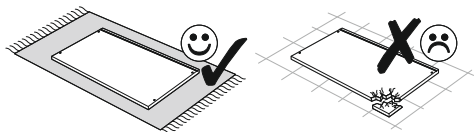




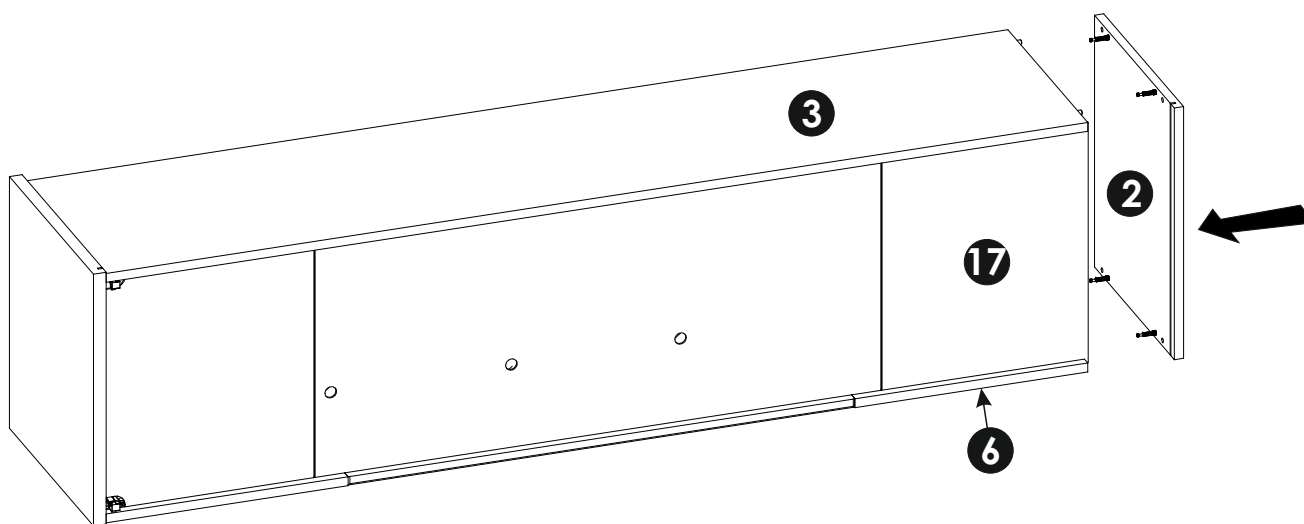
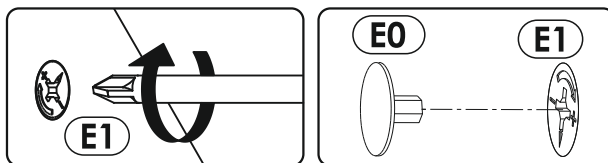
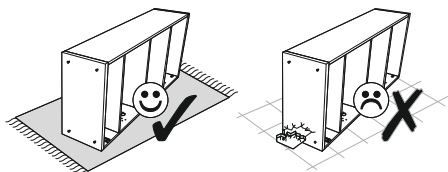


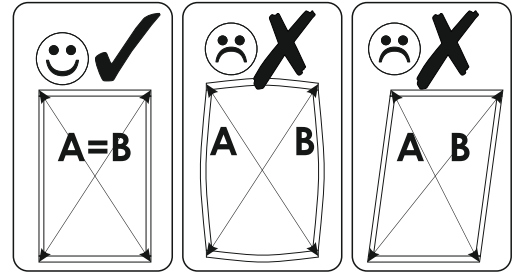
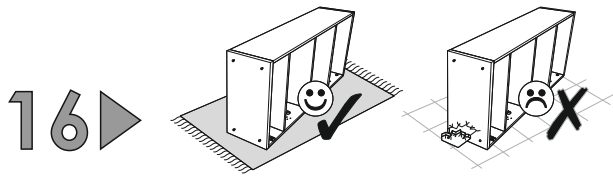


14▶

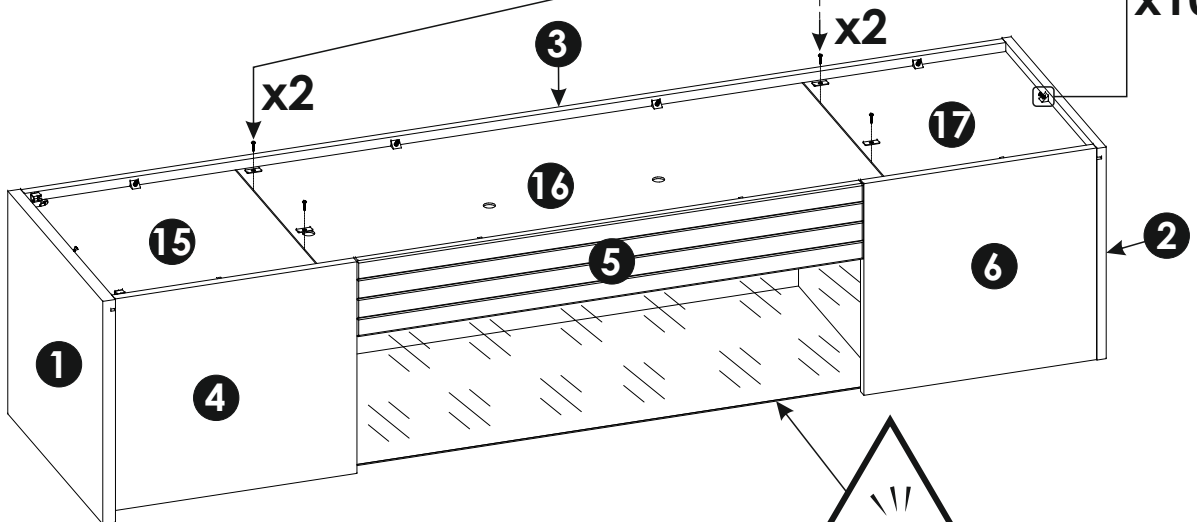
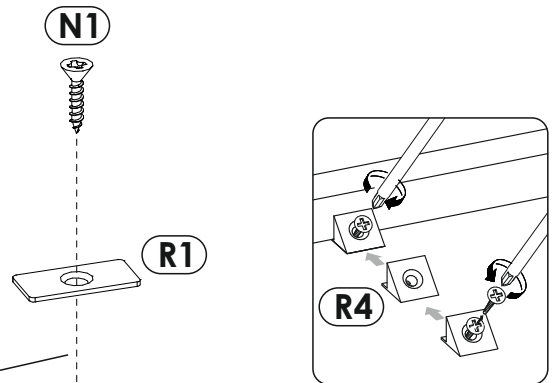
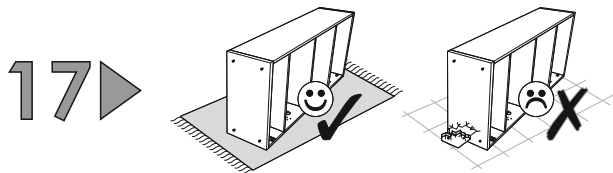
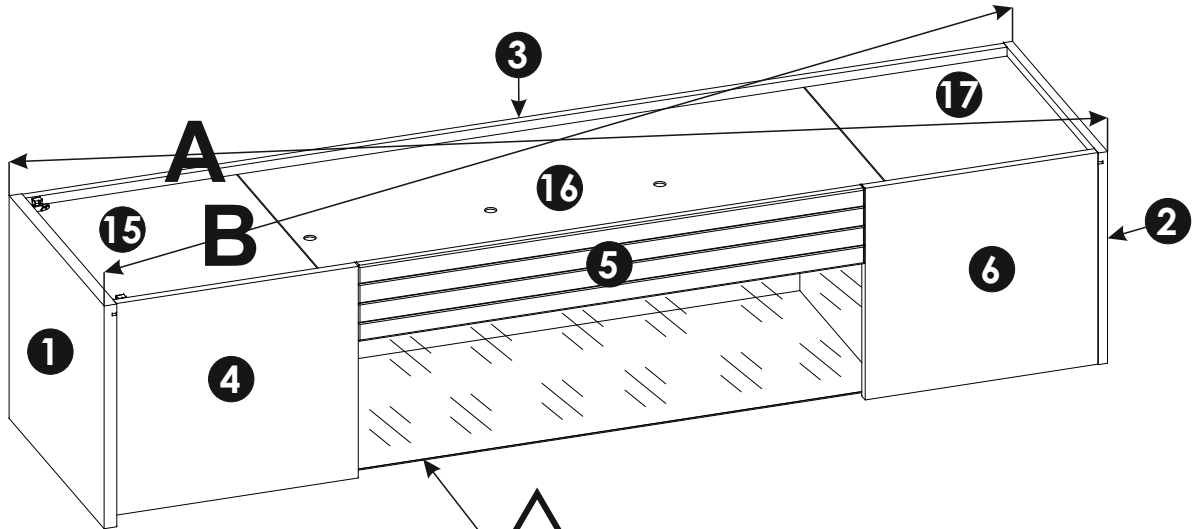


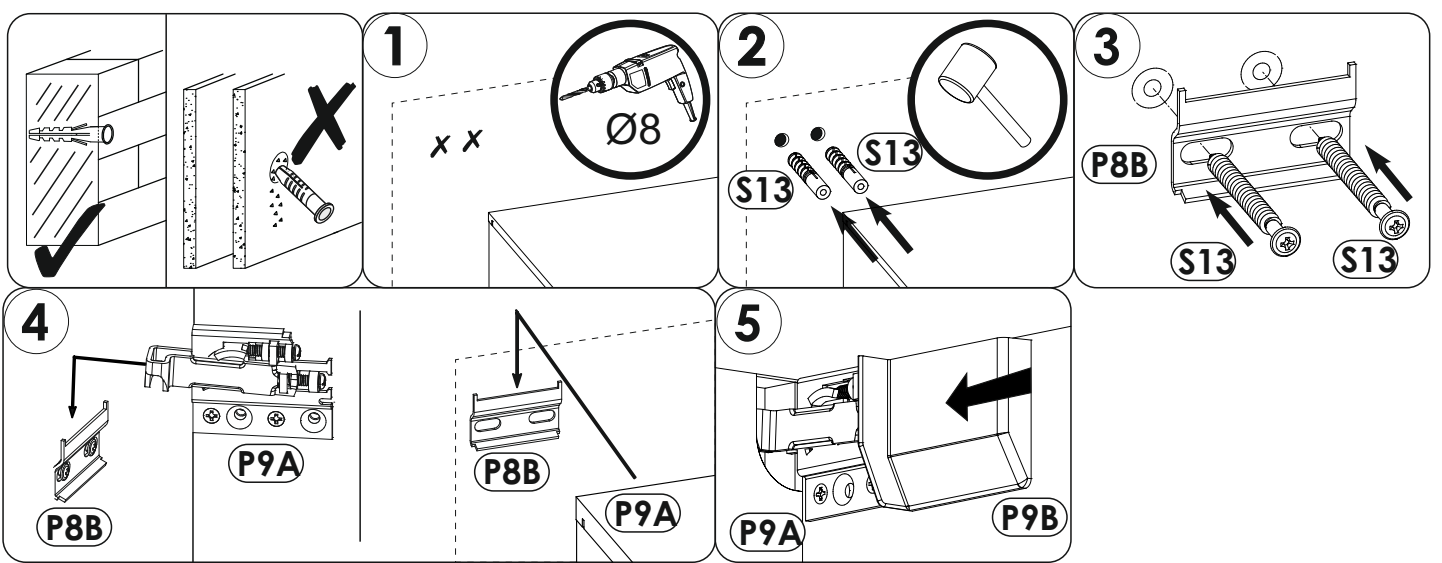
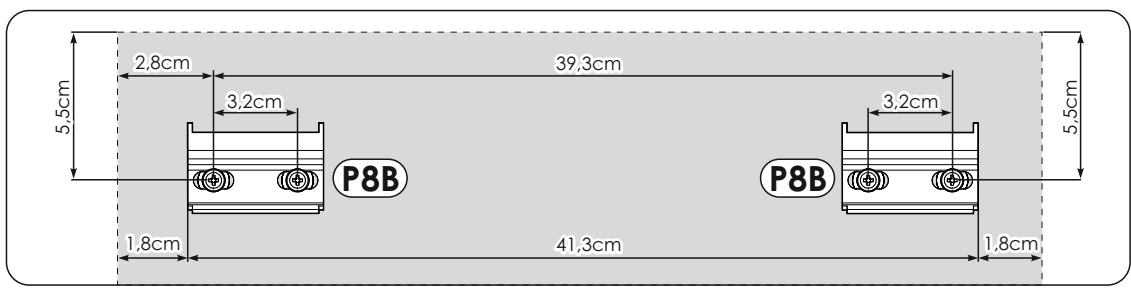
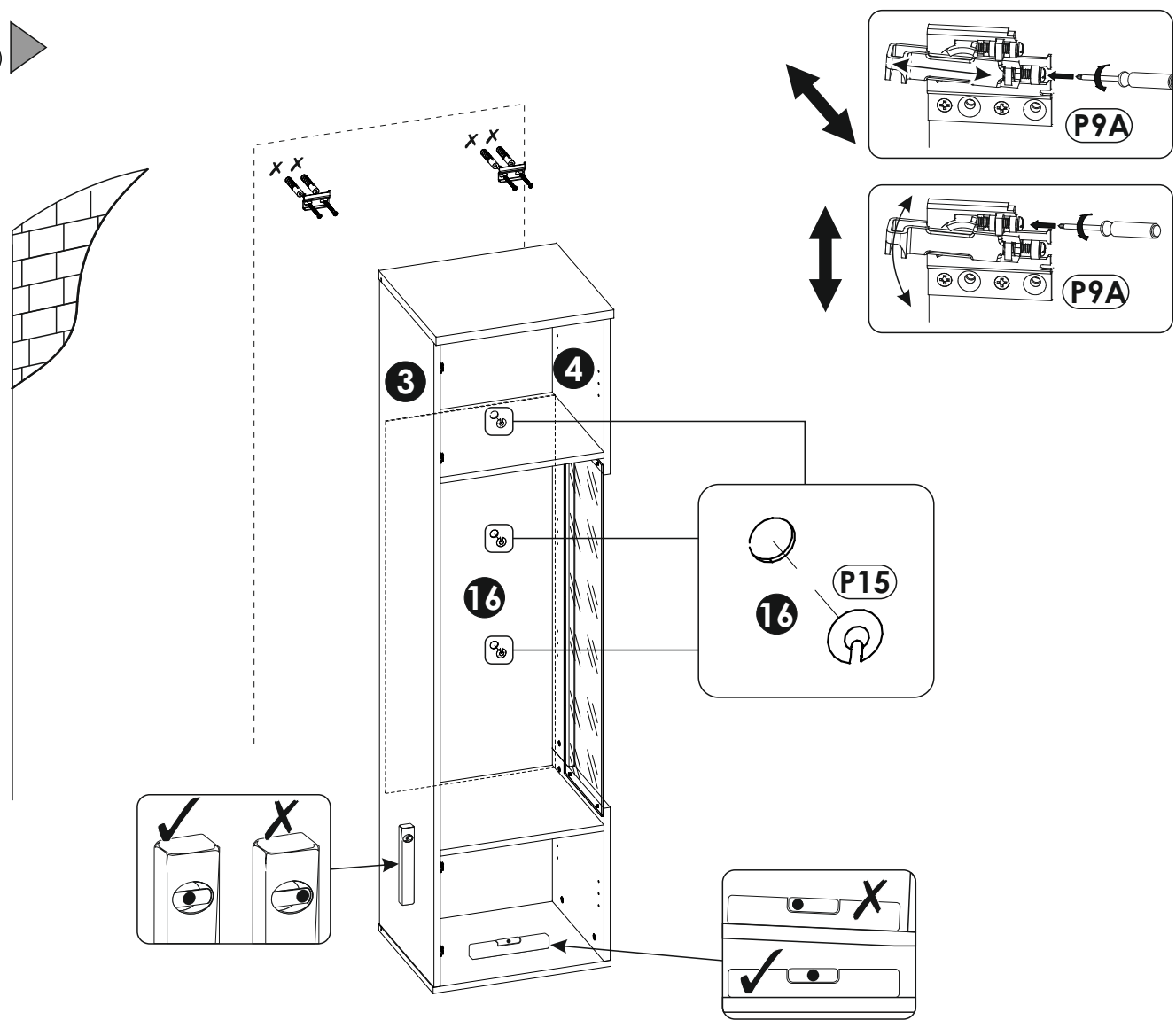
15▶



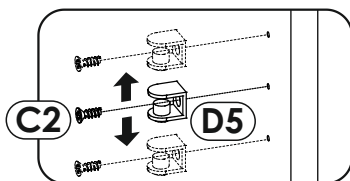
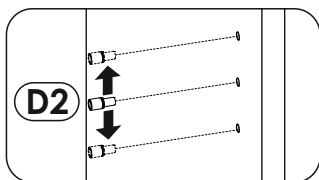
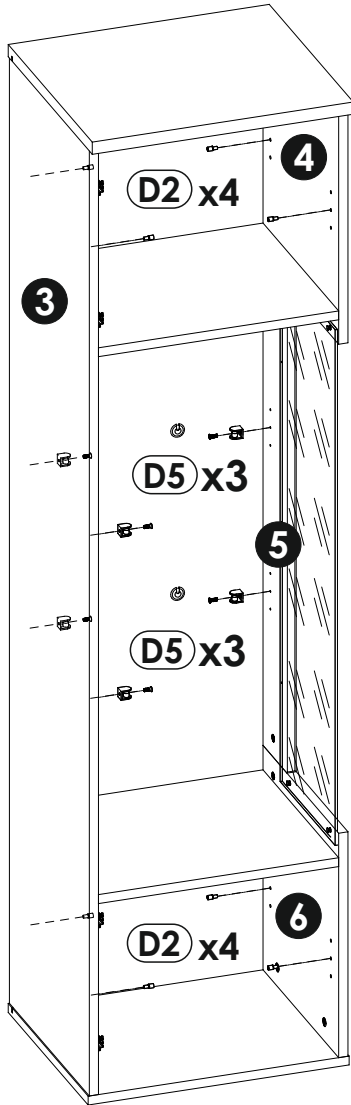


**A=B**

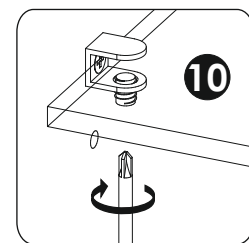
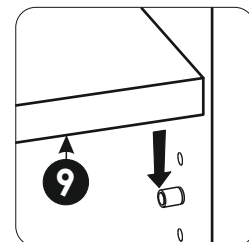
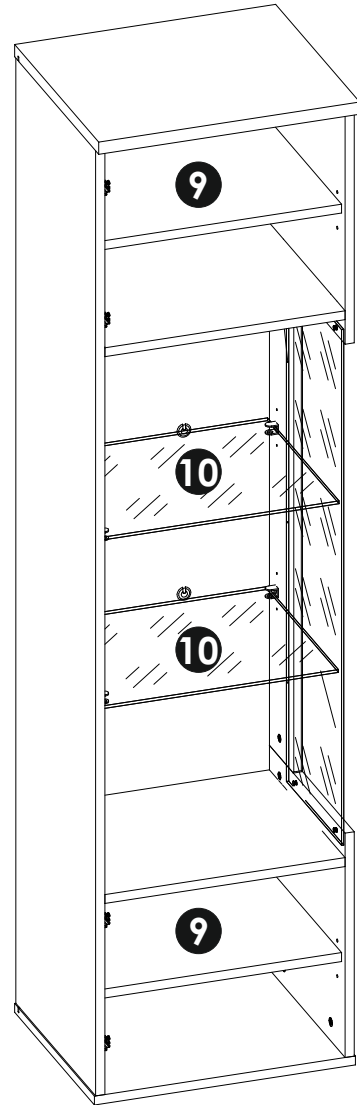




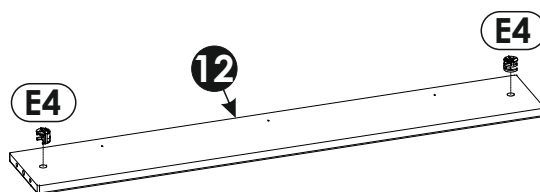
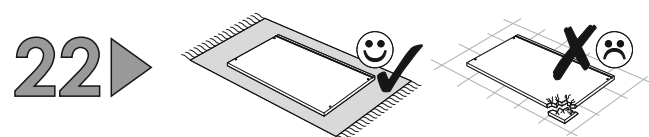
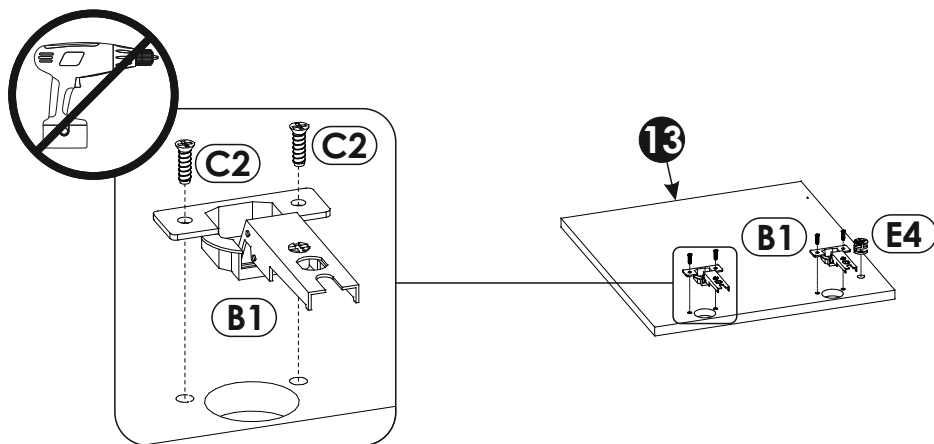
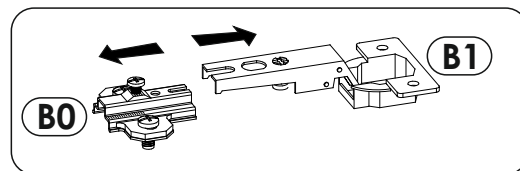
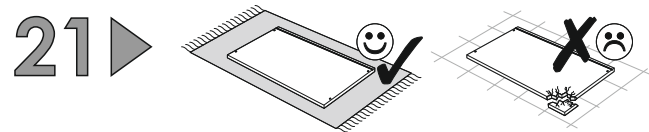
19▶



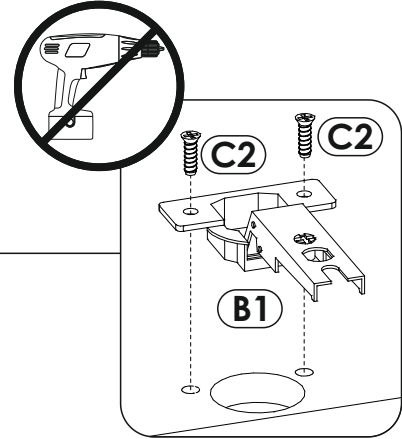
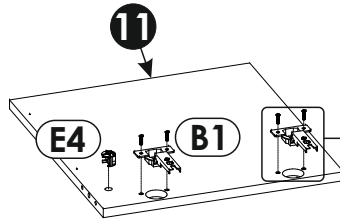
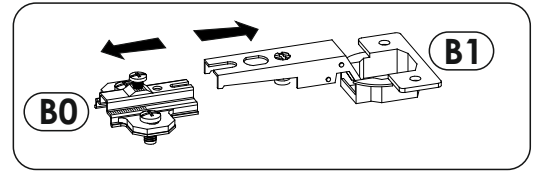
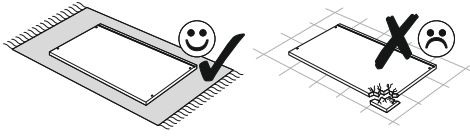
20▶



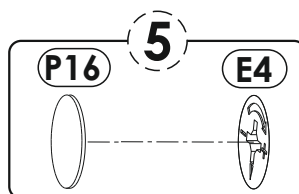
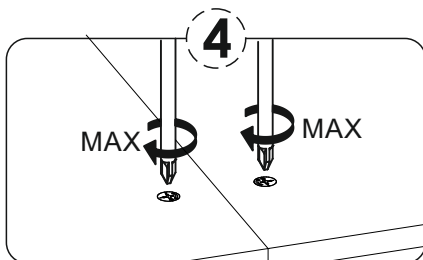
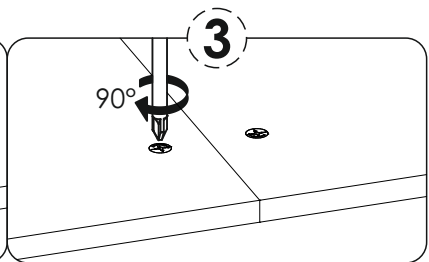
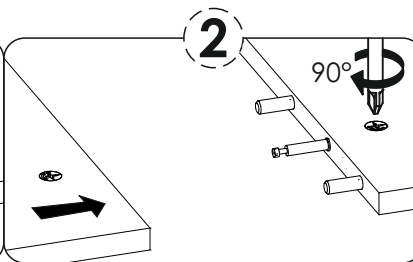
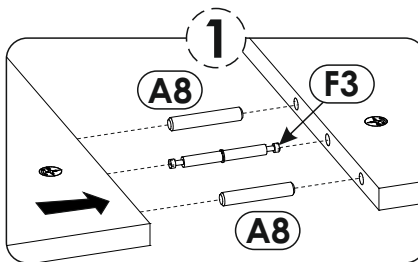
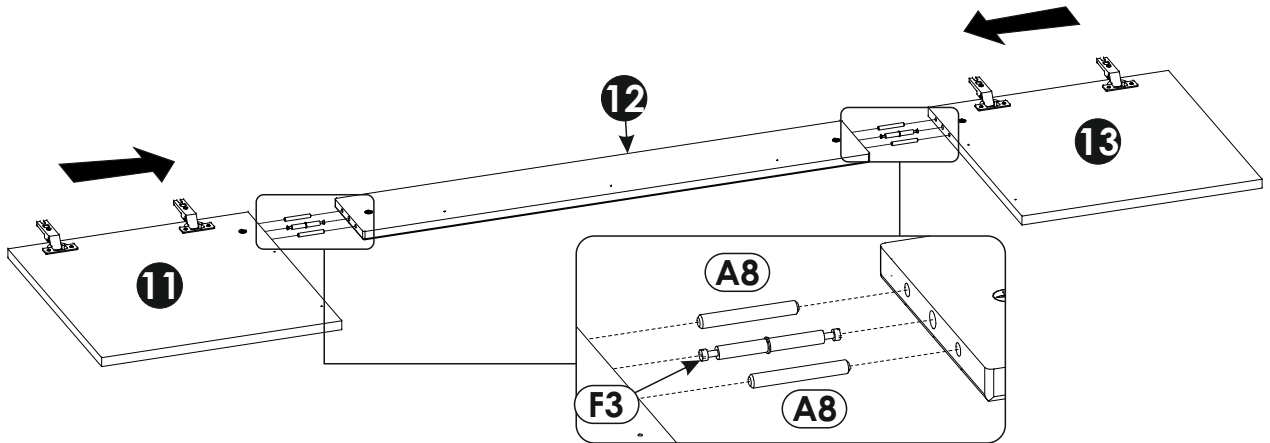
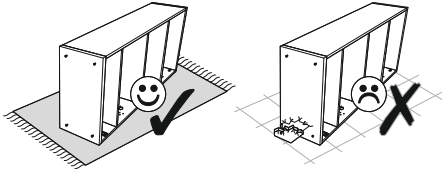




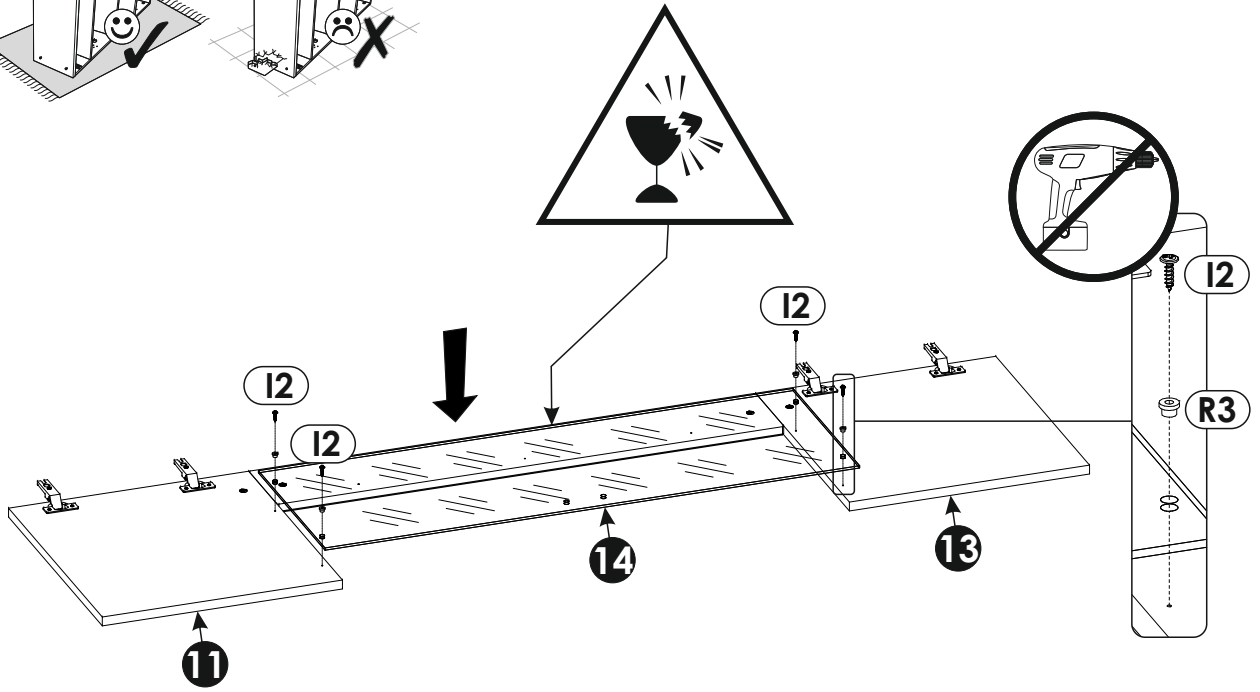
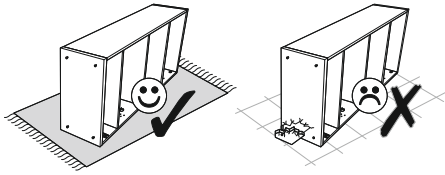
23 ▶



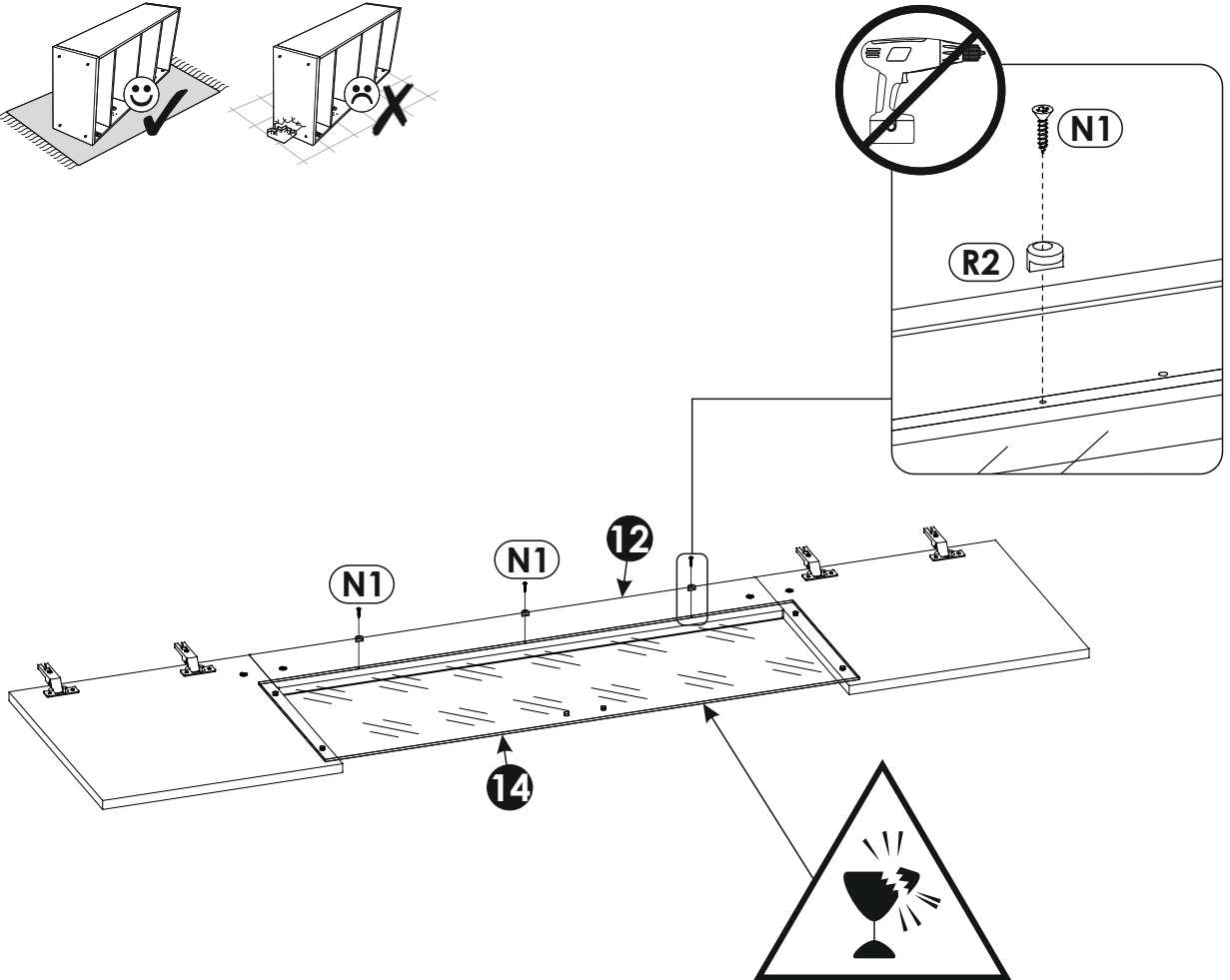
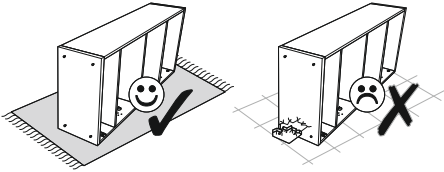
24 ▶



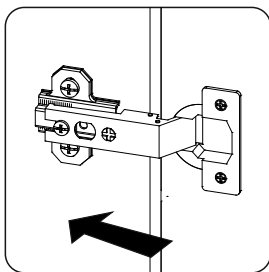
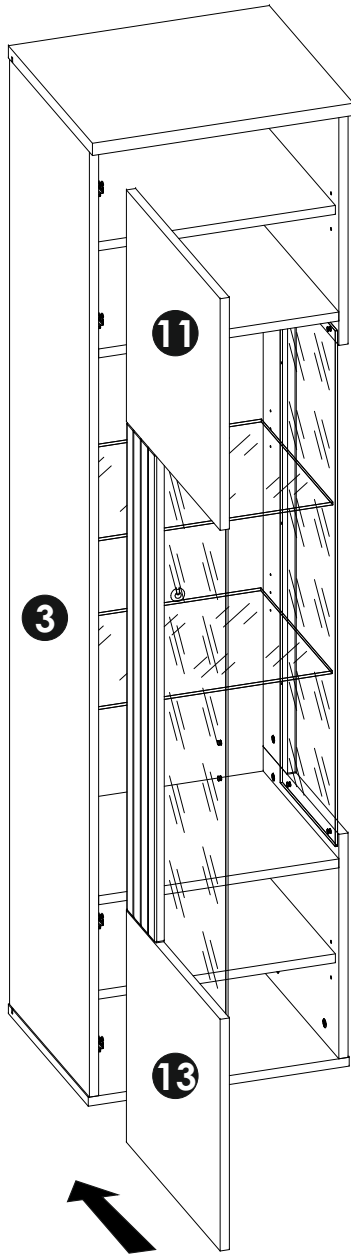
25 ▶



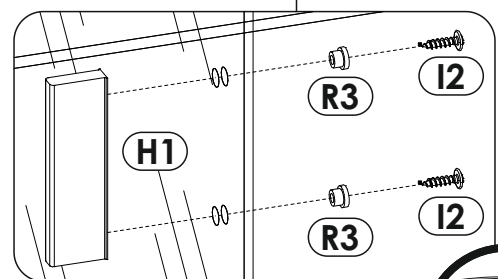
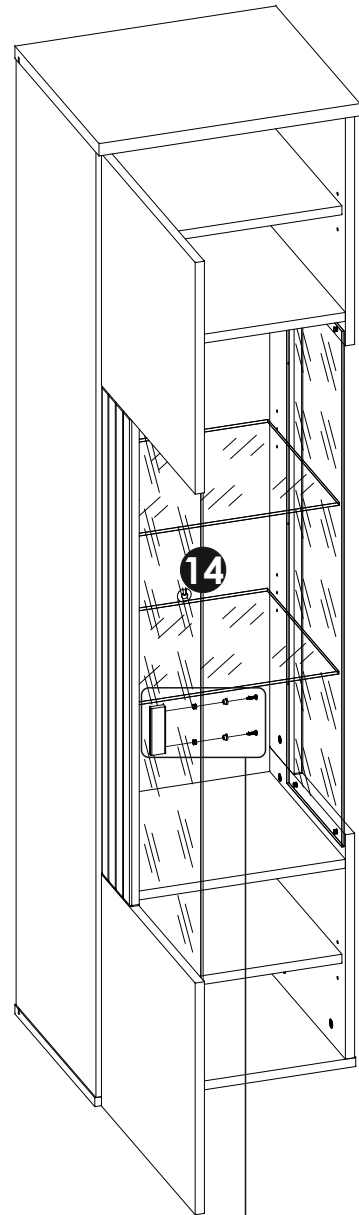
26 ▶



27▶



28▶



29 ▶

