

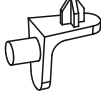
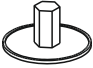









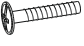
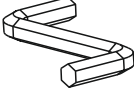

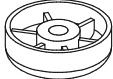

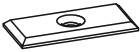
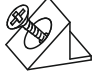


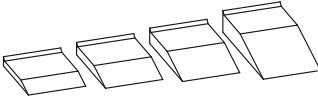
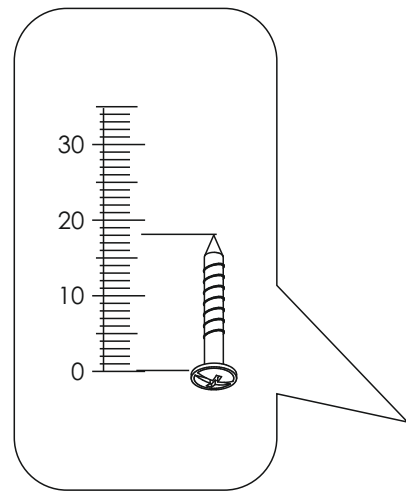
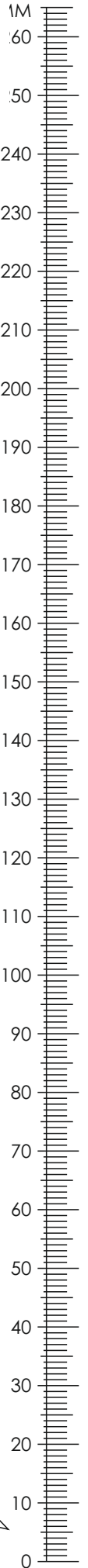
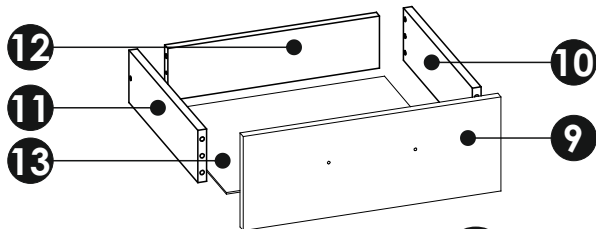
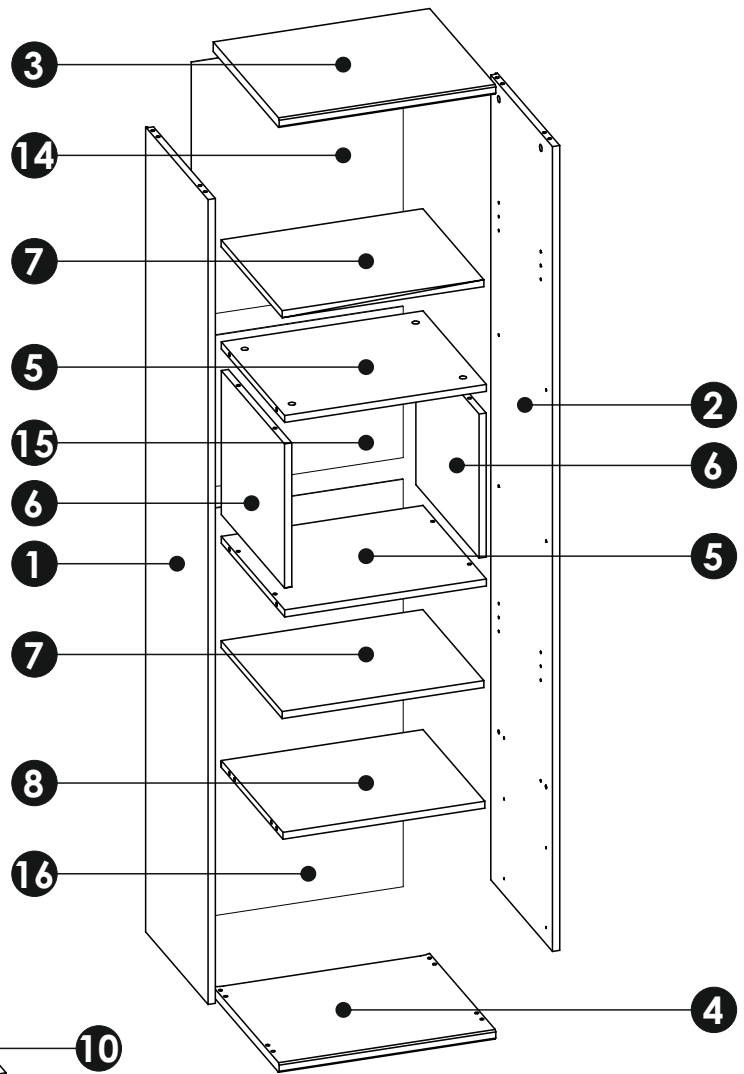
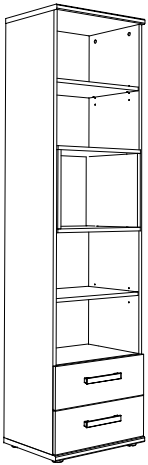


A1 x36 	C2 x8 5 x 13 mm 	D6 x8 
E0 x20 	E1 x20 	F1 x20 
G0 x8 	G1 x4 $\phi 7 \times 50$ mm 	G2 x4 $\phi 7 \times 60$ mm 
H1 x2 	I2 x1 4 x 16 mm 	J1 x12 3 x 20 mm 
I10 x4 3,5 x 22 mm 	K3 x4 M4 x 22 mm 	M x1 
N1 x60 3 x 16 mm 	O1 x4 	Q9 x1 
R1 x4 	R4 x2 	R8 x4 
T3 x2 L-350 	Z x1 	

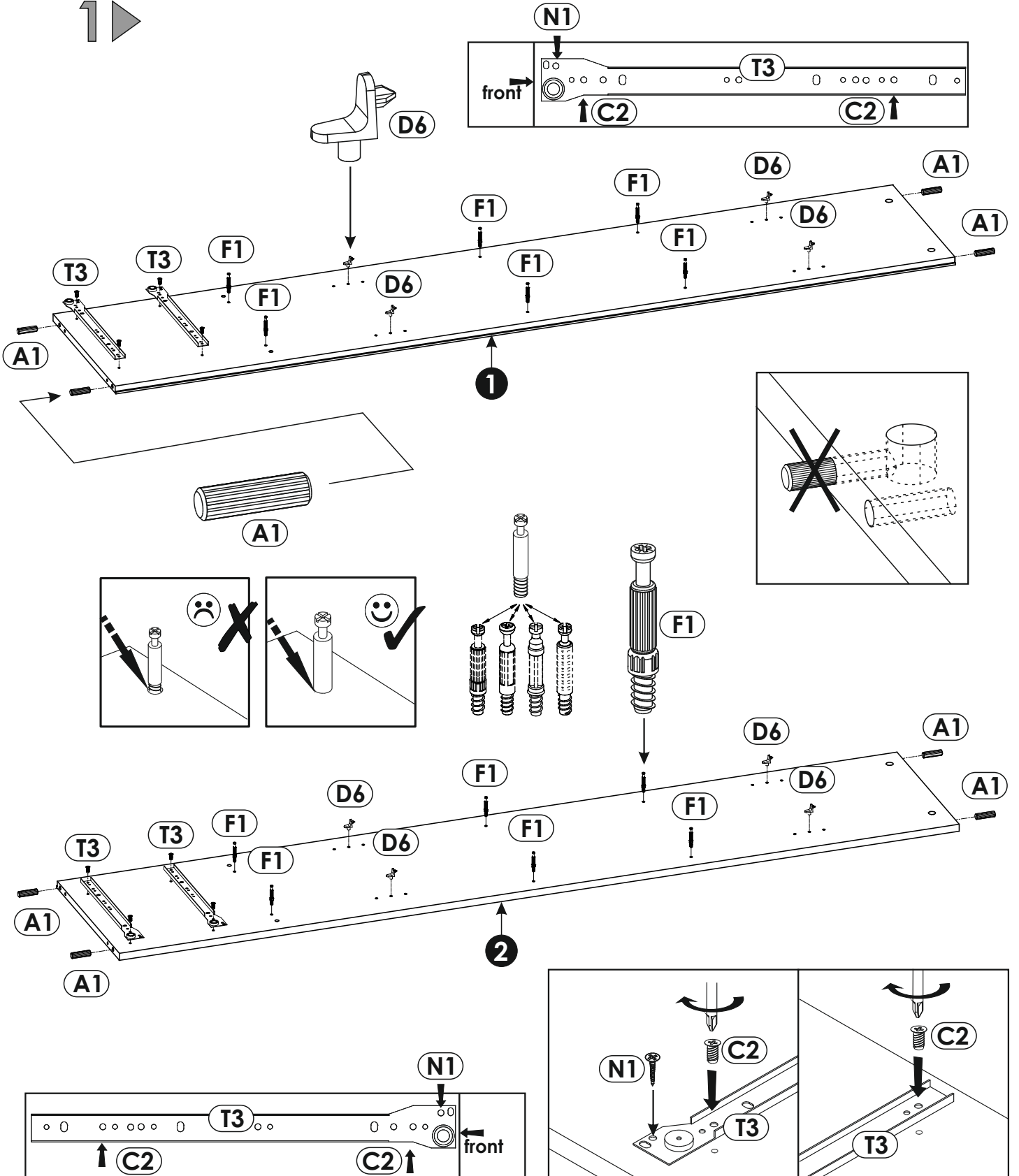
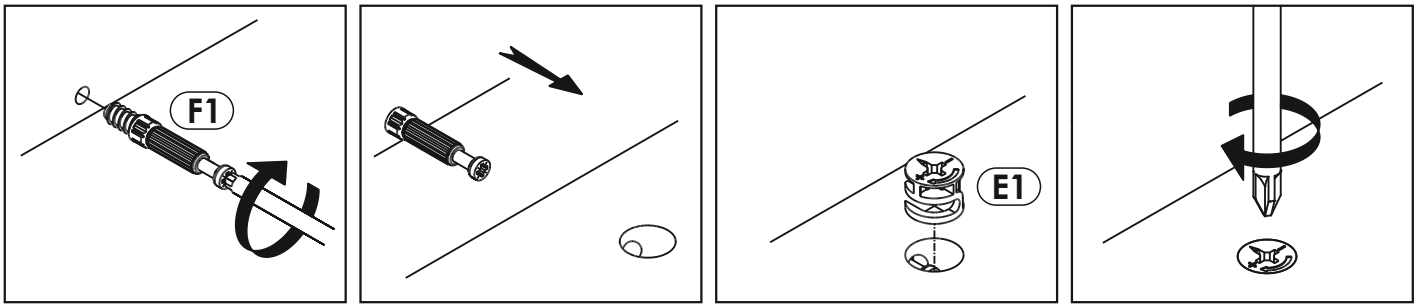




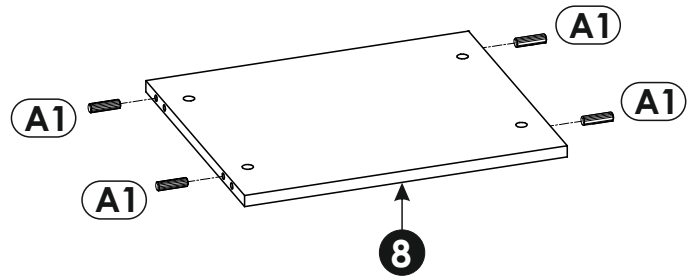
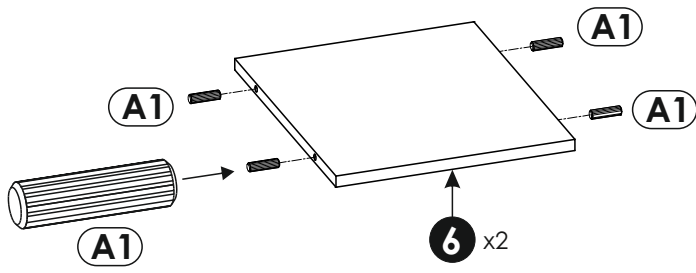
x2

1	1849	380	16	x1	2/2
2	1849	380	16	x1	2/2
3	480	402	22	x1	1/2
4	480	402	22	x1	1/2
5	447	386	16	x2	2/2
6	331	385	16	x2	2/2
7	447	371	16	x2	2/2
8	447	376	16	x1	2/2

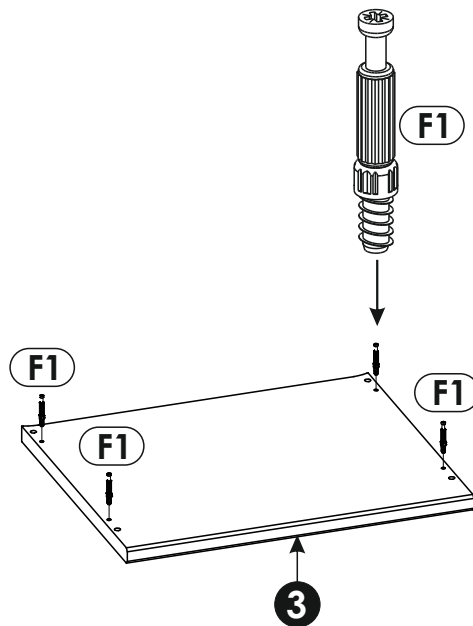
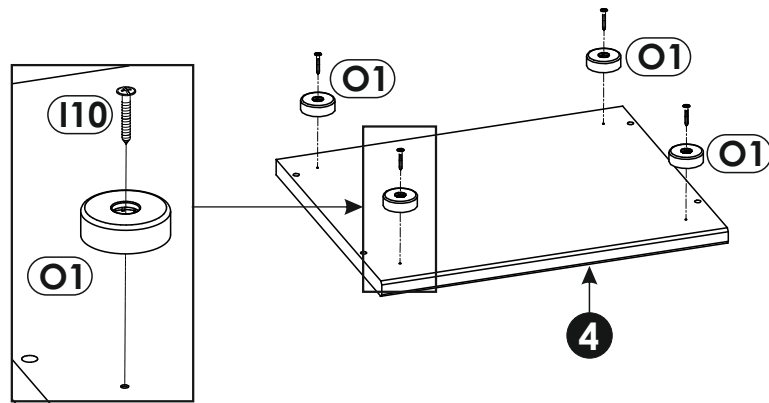
9	476	180	16	x2	1/2
10	350	100	16	x2	1/2
11	350	100	16	x2	1/2
12	391	100	16	x2	1/2
13	421	355	3	x2	1/2
14	587	469	3	x1	1/2
15	469	347	3	x1	1/2
16	937	469	3	x1	1/2



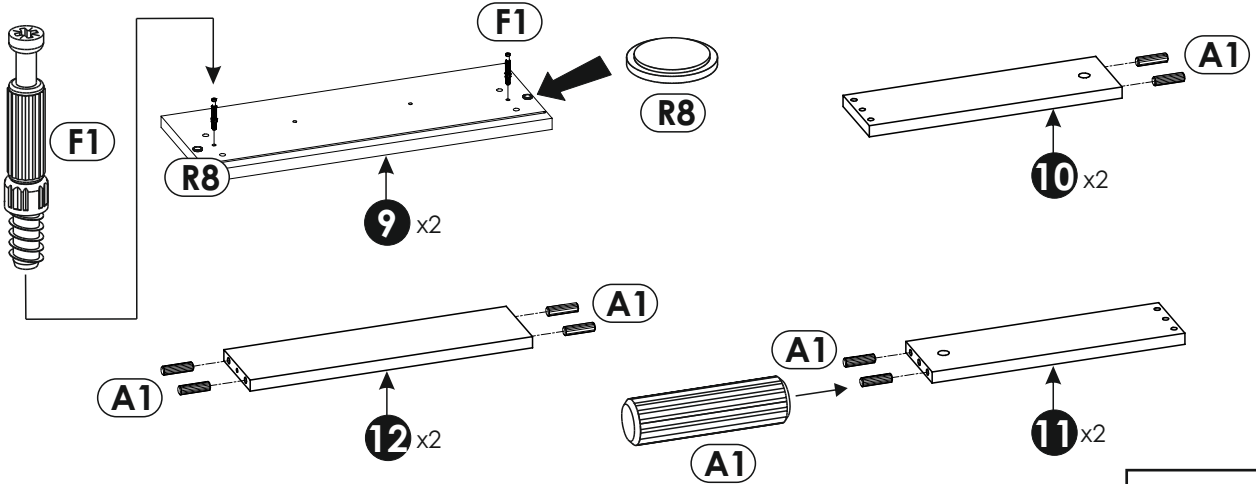
2 ▶



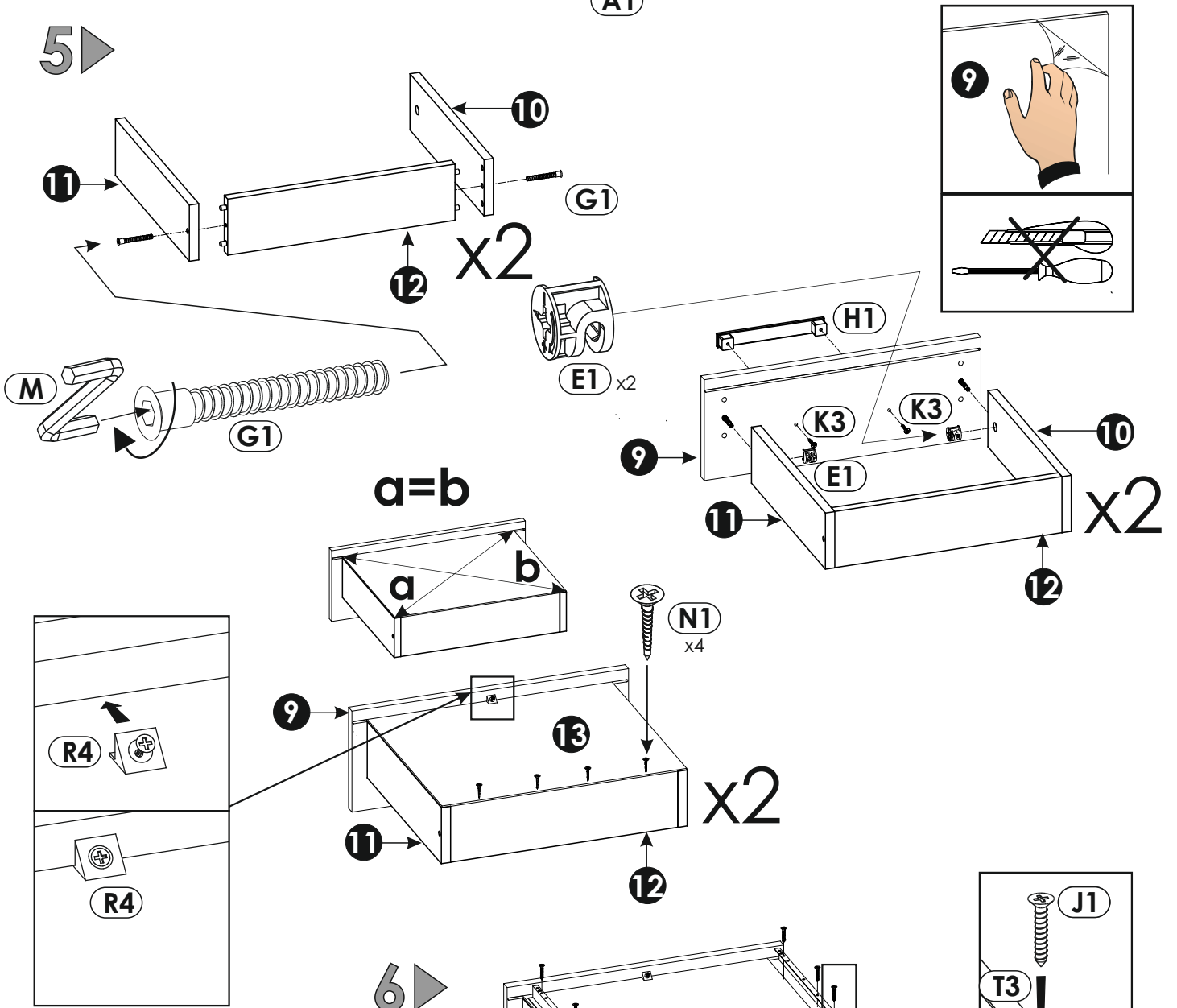
3 ▶



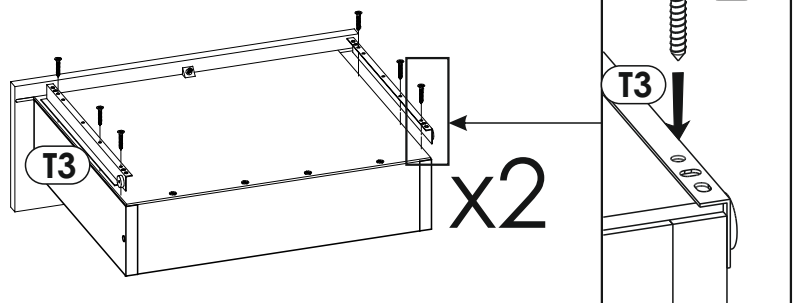
4



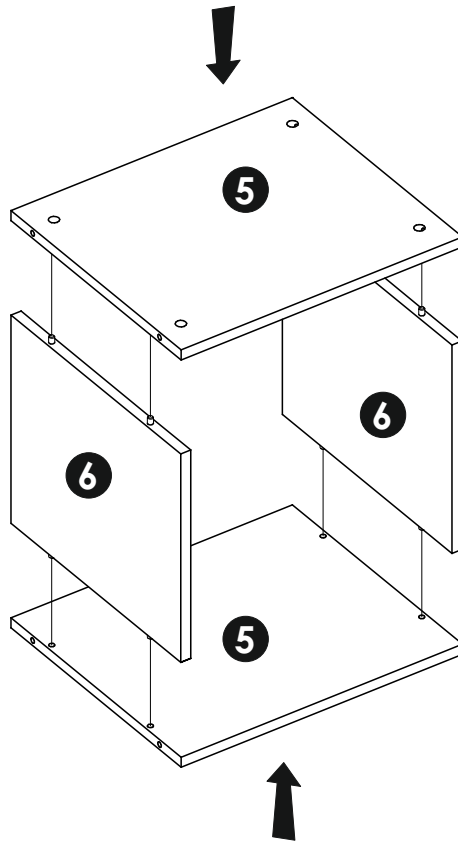
5



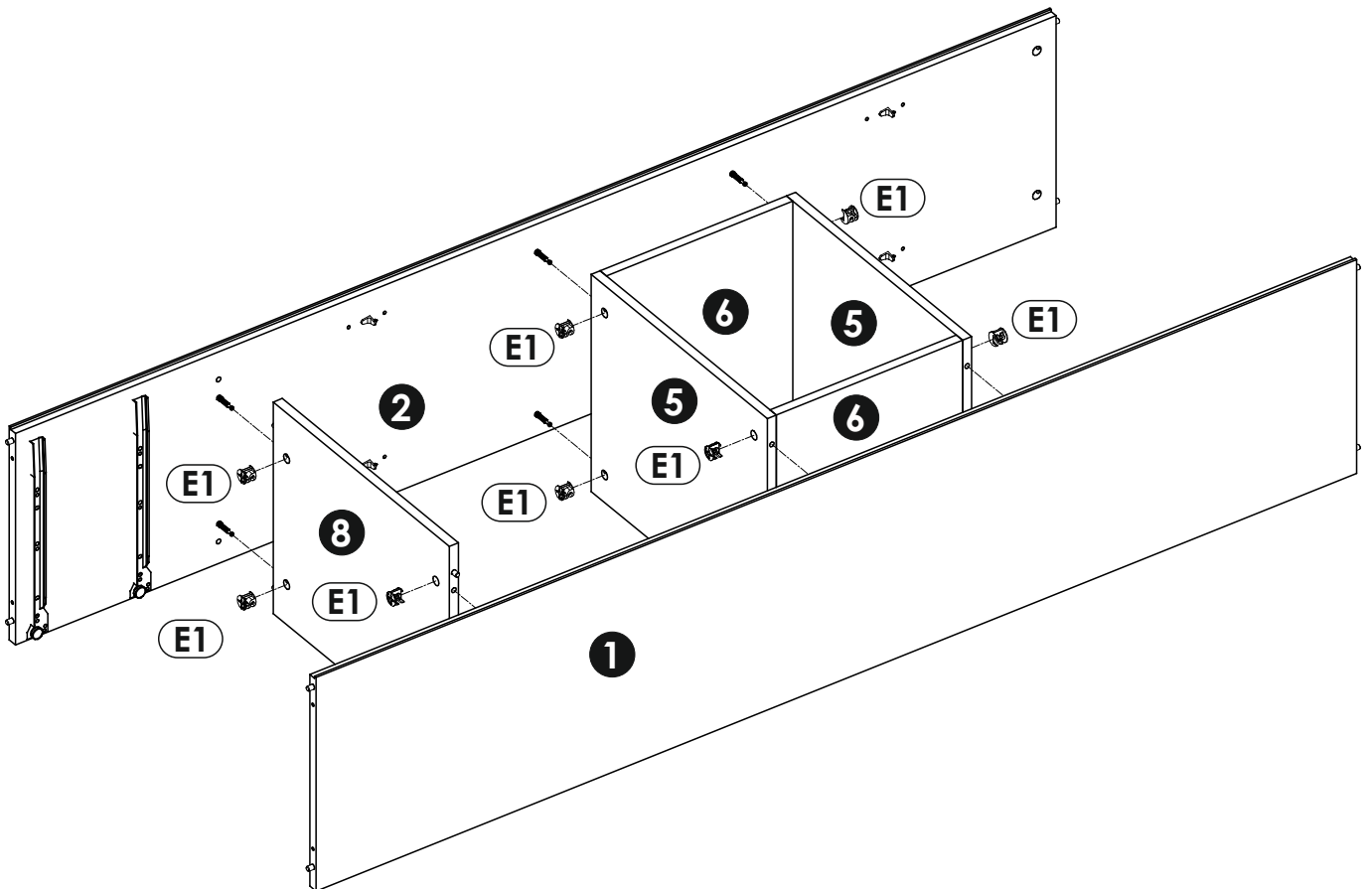
6



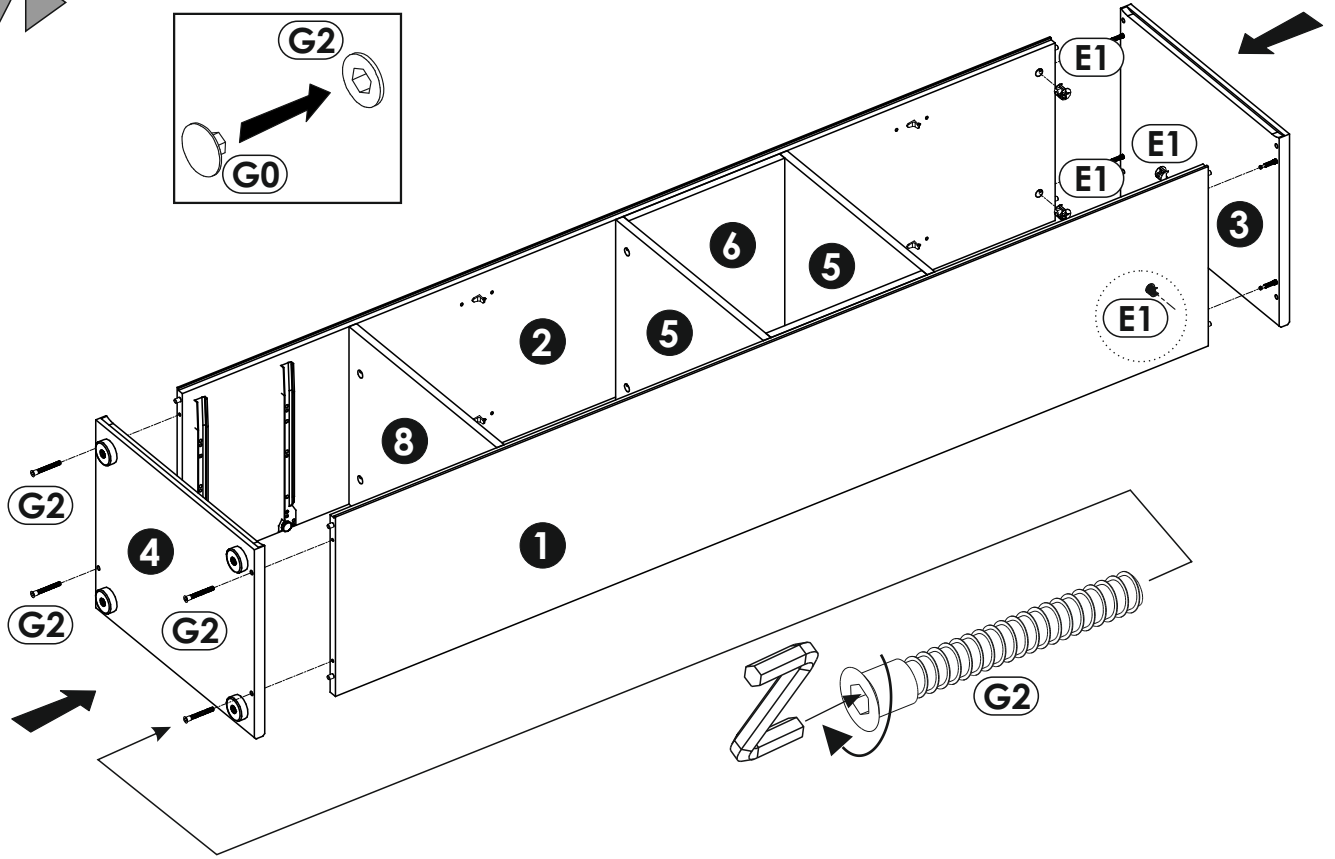
7 ▶



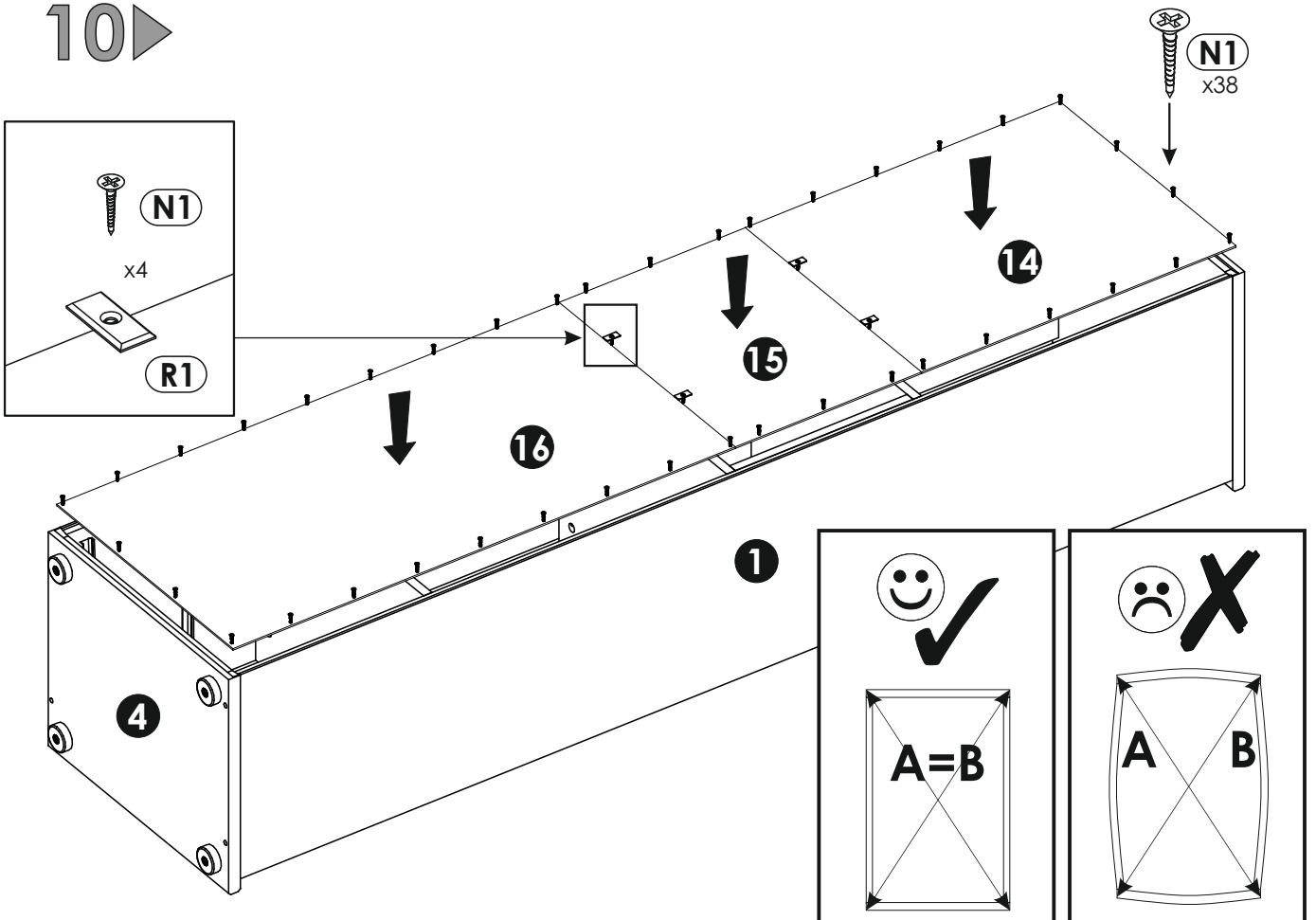
8 ▶



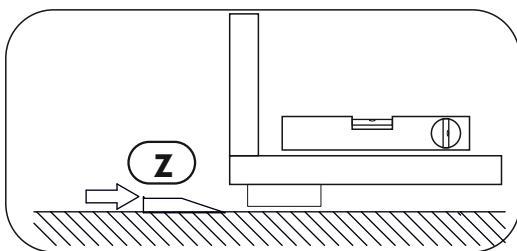
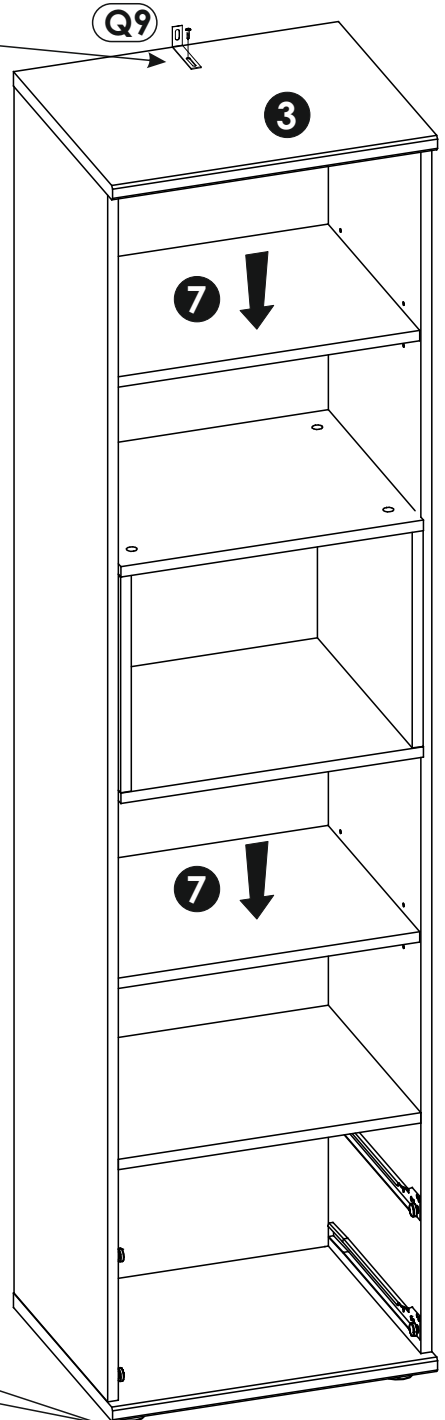
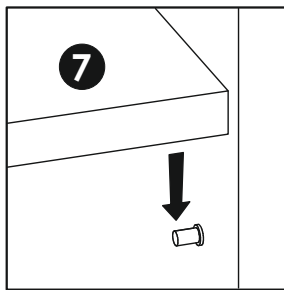
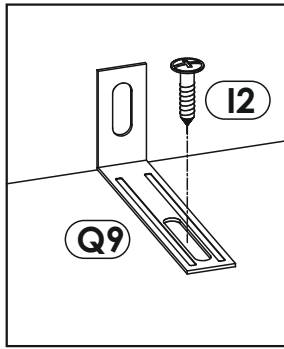
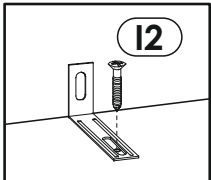
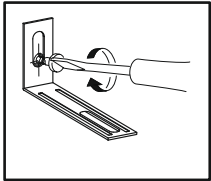
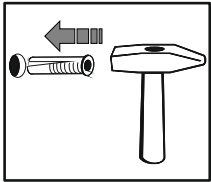
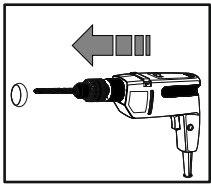
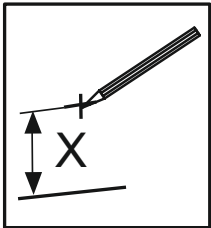
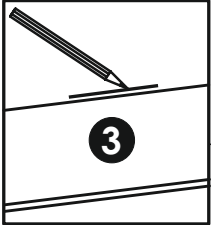
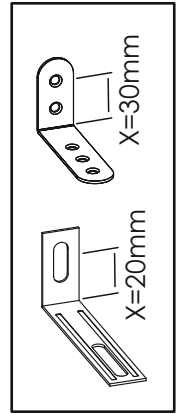
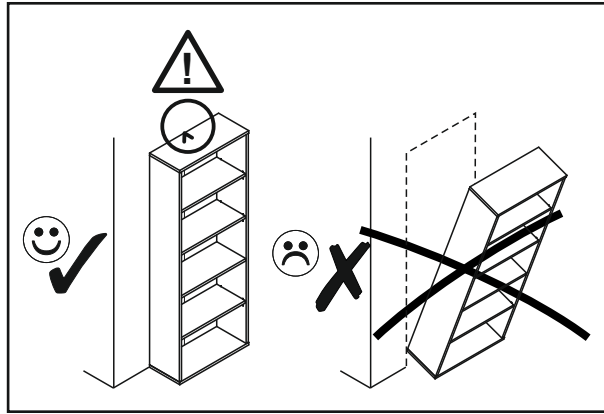
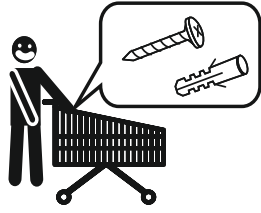
9 ▶



10 ▶



11 ▶



12▶

