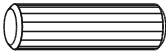
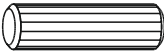
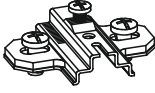
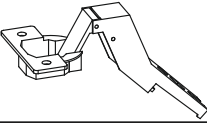

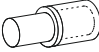
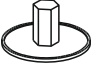





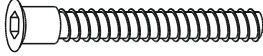

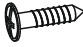
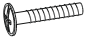

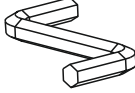


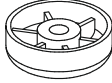
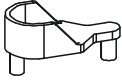


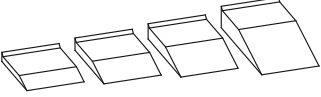

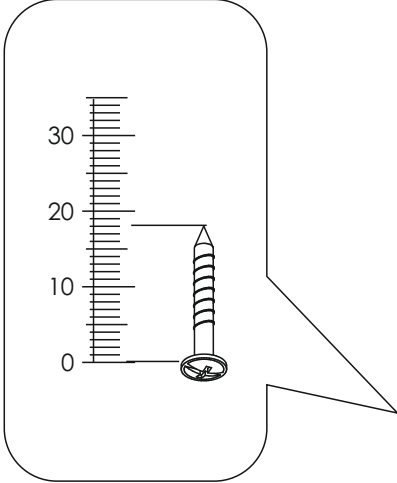
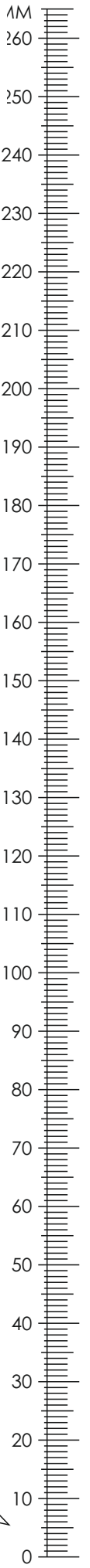
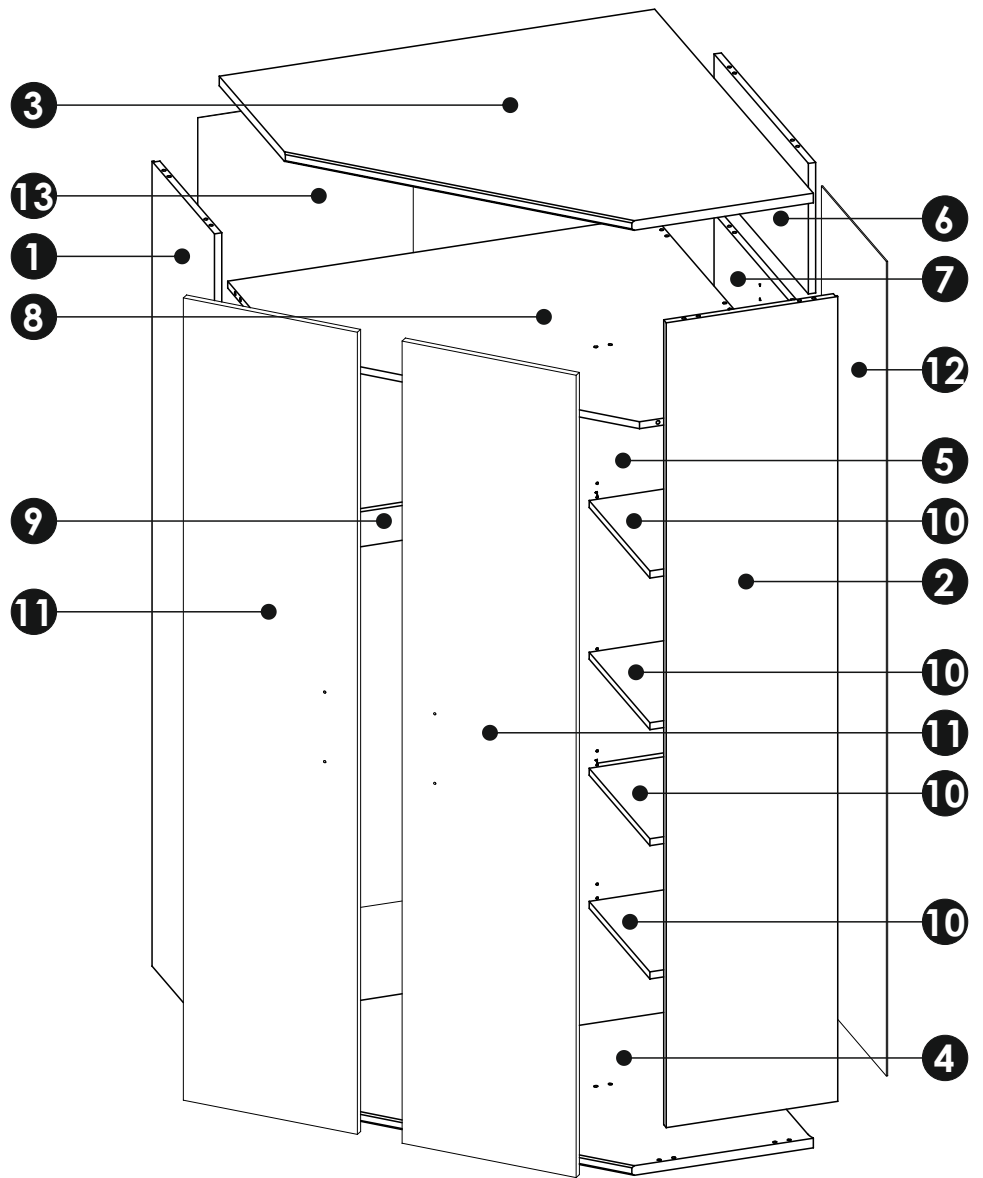
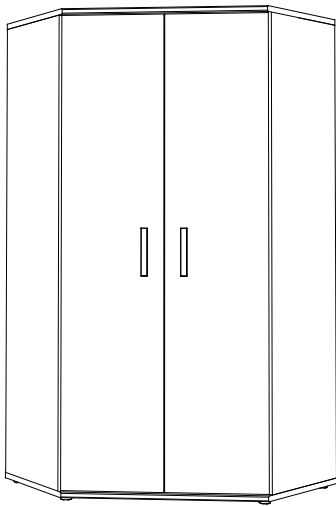


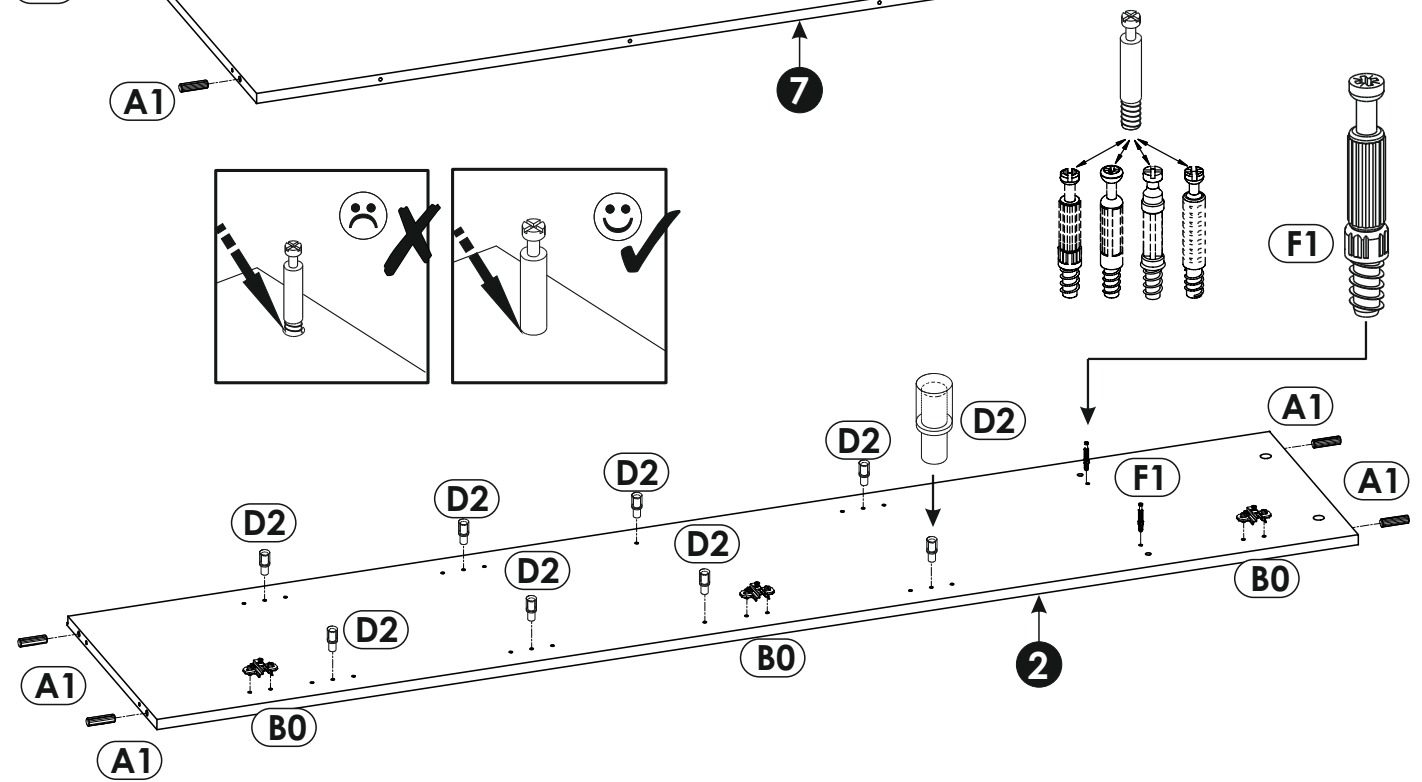
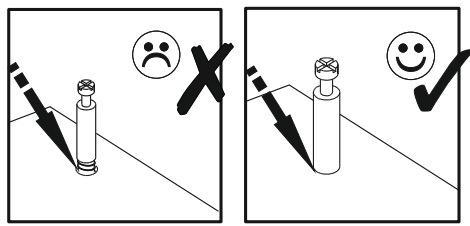
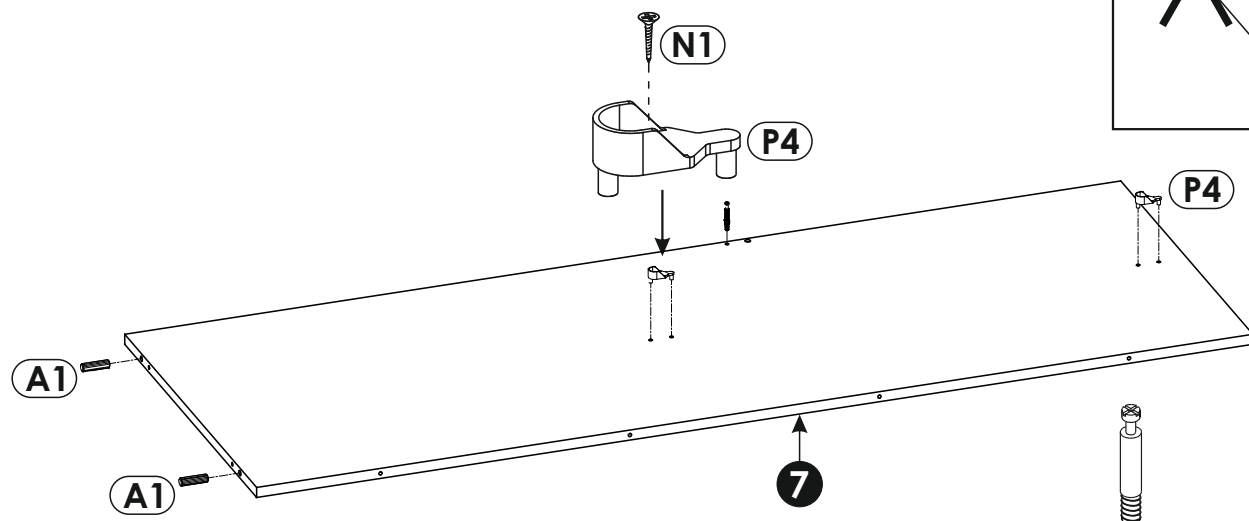
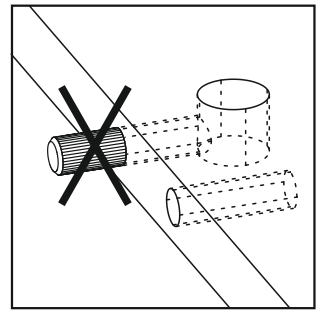
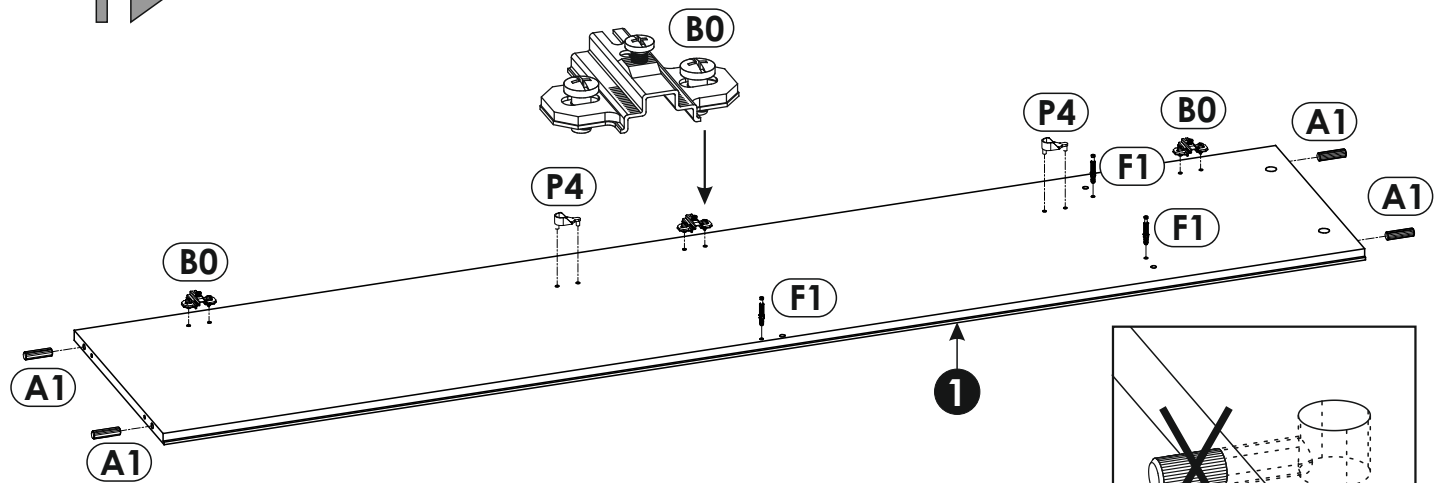
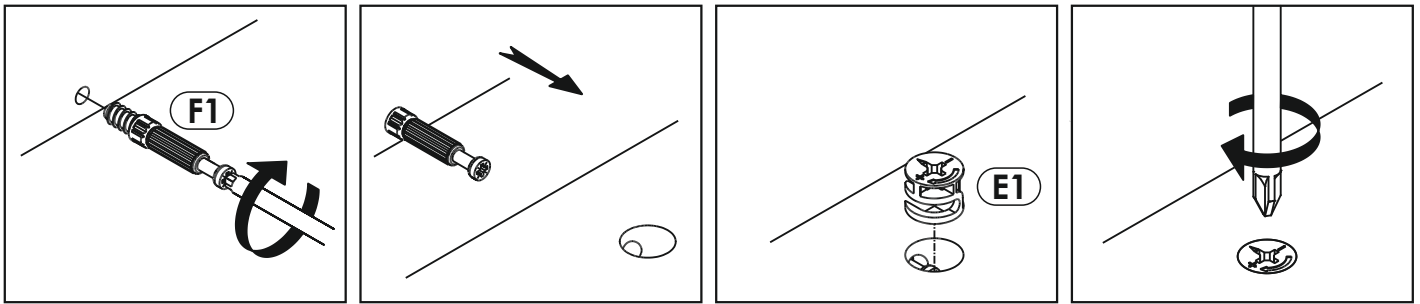
<b>A1</b> x22 $\varnothing 8 \times 35$ mm 	<b>A3</b> x2 $\varnothing 8 \times 60$ mm 	<b>B0</b> x6 
<b>B5</b> x6 	<b>C1</b> x12 EURO 4 x 13 mm 	<b>D2</b> x18 
<b>E0</b> x16 	<b>E1</b> x16 	<b>F1</b> x12 
<b>F5</b> x2 	<b>G0</b> x14 	<b>G1</b> x6 $\varnothing 7 \times 50$ mm 
<b>G2</b> x8 $\varnothing 7 \times 60$ mm 	<b>H1</b> x2 	<b>I2</b> x2 4 x 16 mm 
<b>K3</b> x4 M4 x 22 mm 	<b>I10</b> x8 3,5 x 22 mm 	<b>M</b> x1 
<b>N1</b> x90 3 x 16 mm 	<b>N2</b> x4 3,5 x 16 mm 	<b>O1</b> x8 s 
<b>P4</b> x4 	<b>Q9</b> x2 	<b>R8</b> x2 
<b>Z</b> x1 	<b>Z1</b> x2 L-918 	



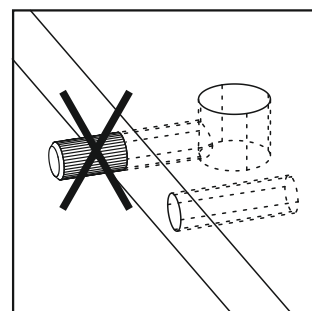
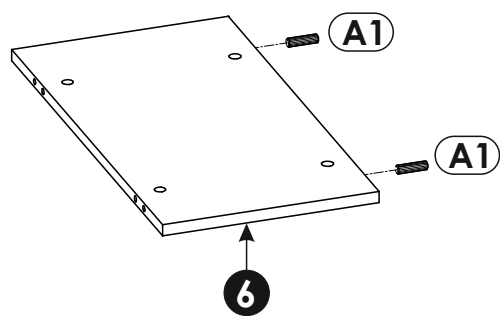
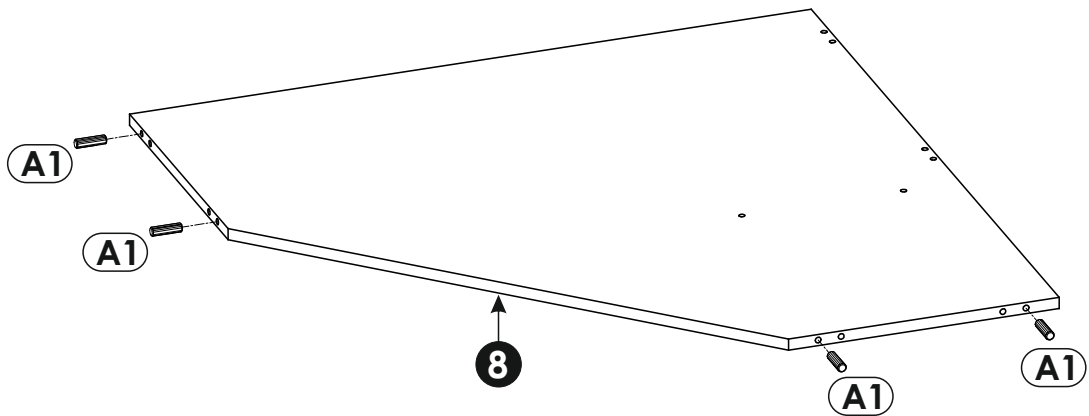
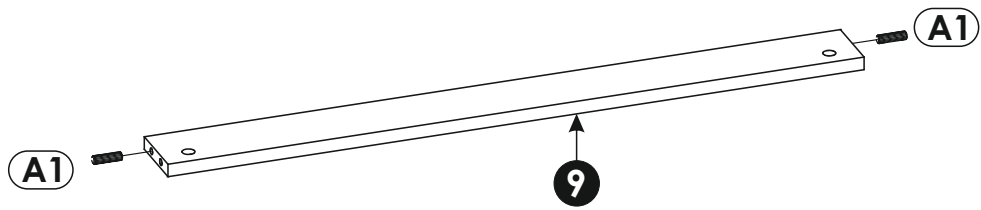
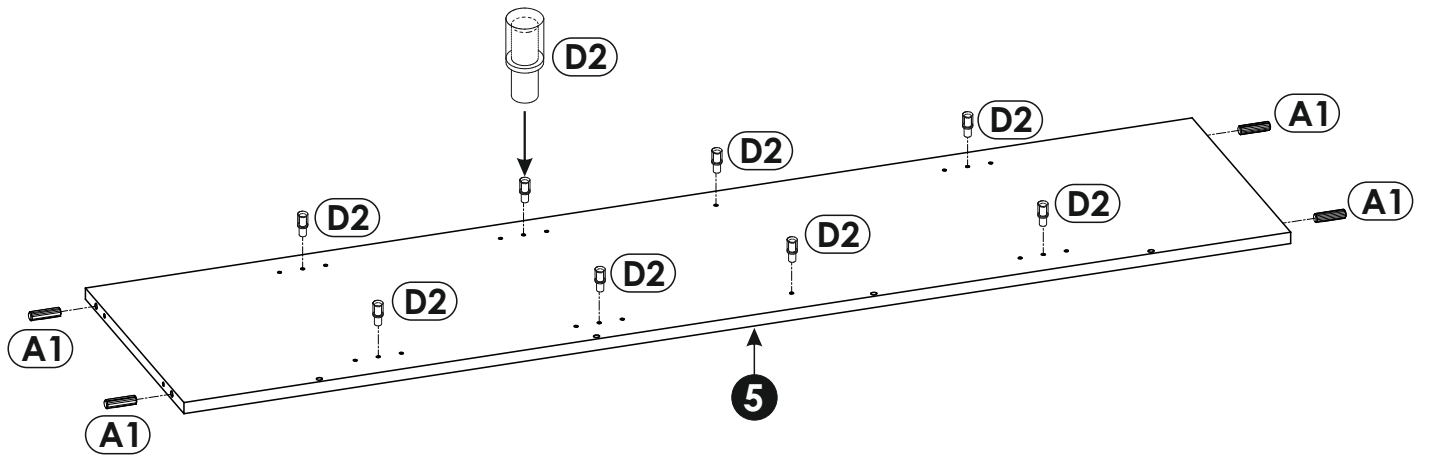


<b>1</b>	1849	380	16	x1	1/4
<b>2</b>	1849	380	16	x1	1/4
<b>3</b>	965	965	22	x1	4/4
<b>4</b>	965	965	22	x1	4/4
<b>5</b>	1533	375	16	x1	2/4
<b>6</b>	574	300	16	x1	1/4

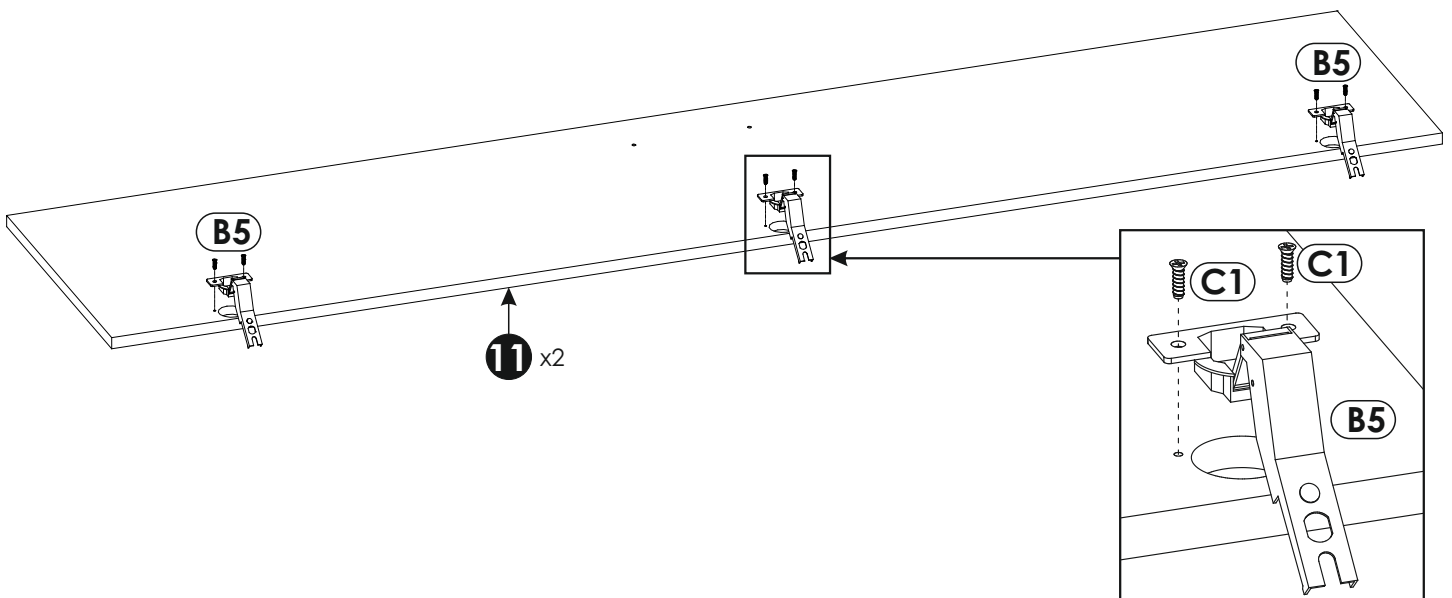
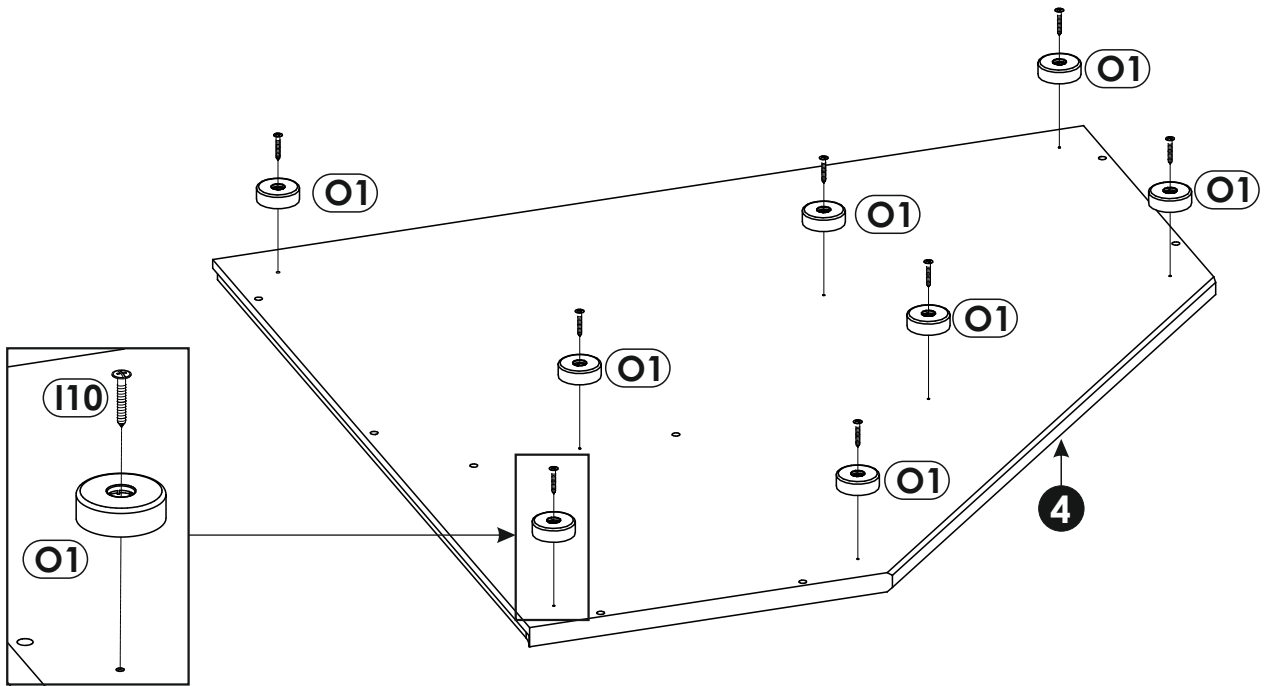
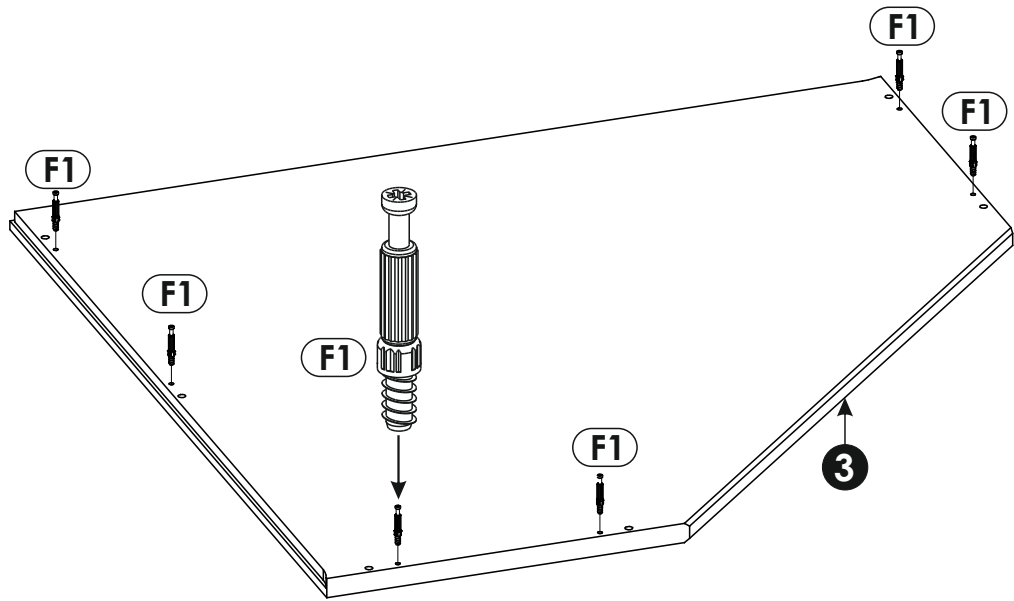
<b>7</b>	1533	558	16	x1	2/4
<b>8</b>	944	944	16	x1	4/4
<b>9</b>	928	80	16	x1	2/4
<b>10</b>	370	370	16	x4	1/4
<b>11</b>	1843	400	16	x2	3/4
<b>12</b>	1871	396	3	x1	3/4
<b>13</b>	1871	954	3	x1	2/4



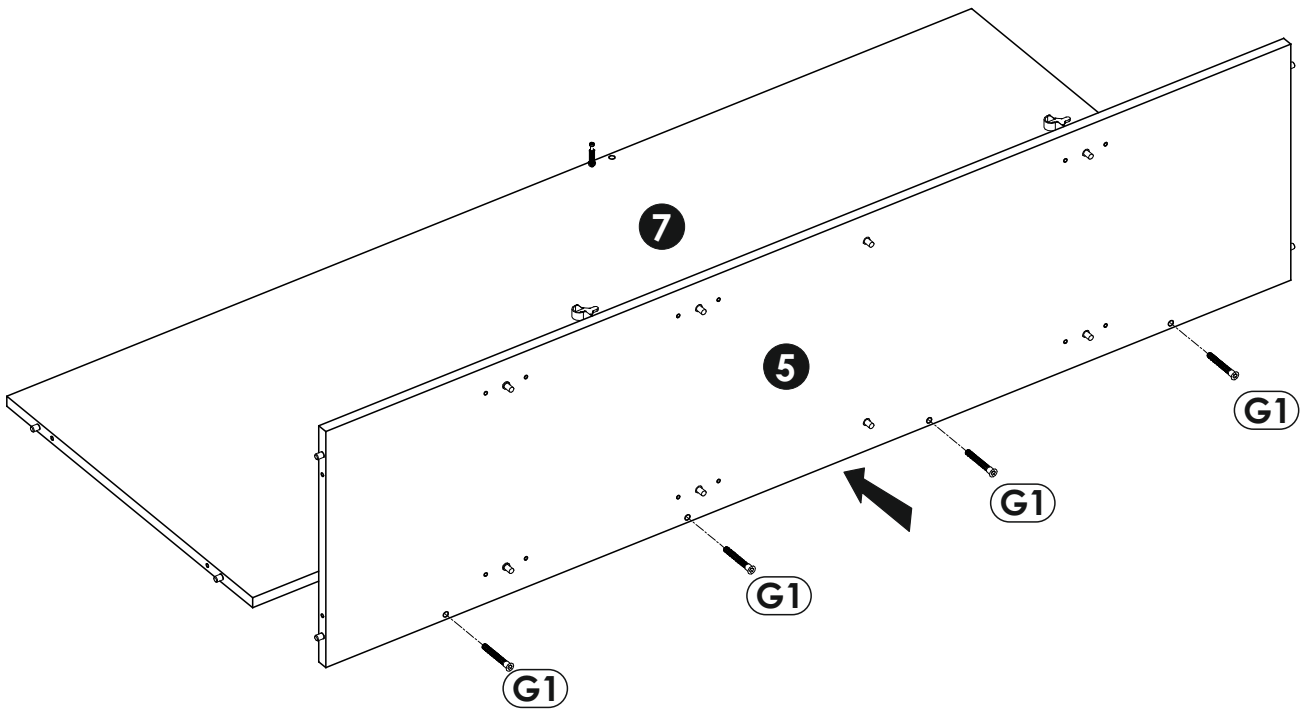
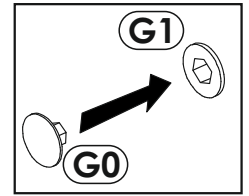
2 ▶



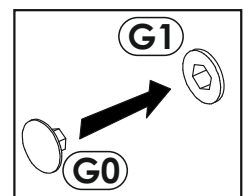
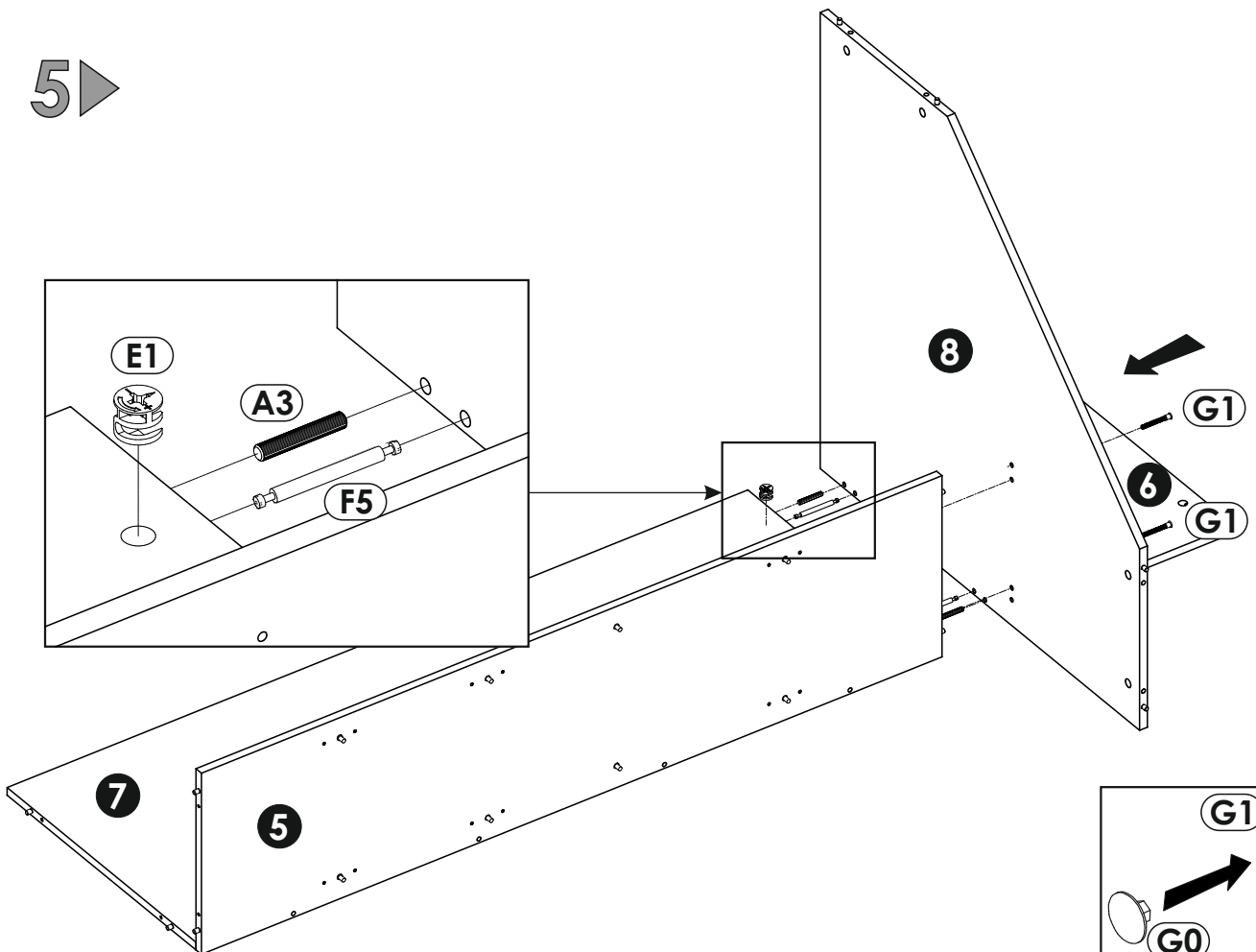
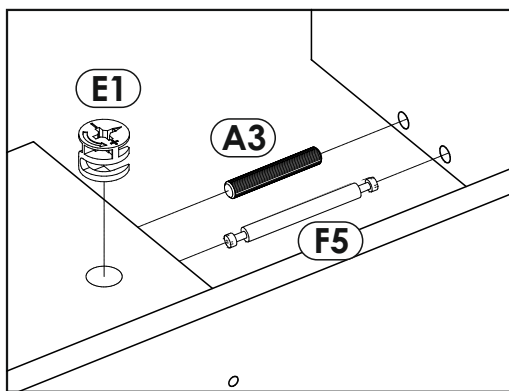
3 ▶



4 ▶

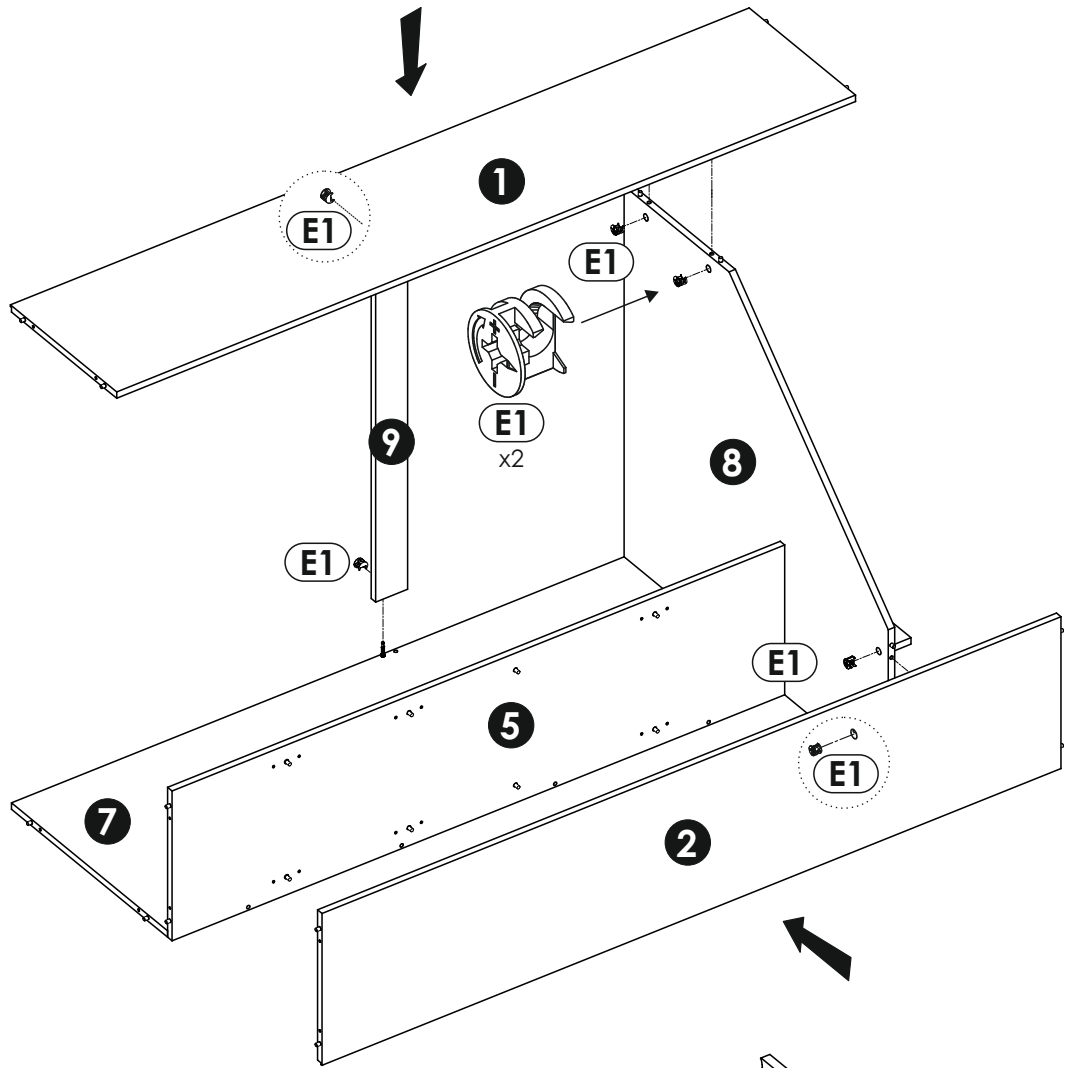


5 ▶

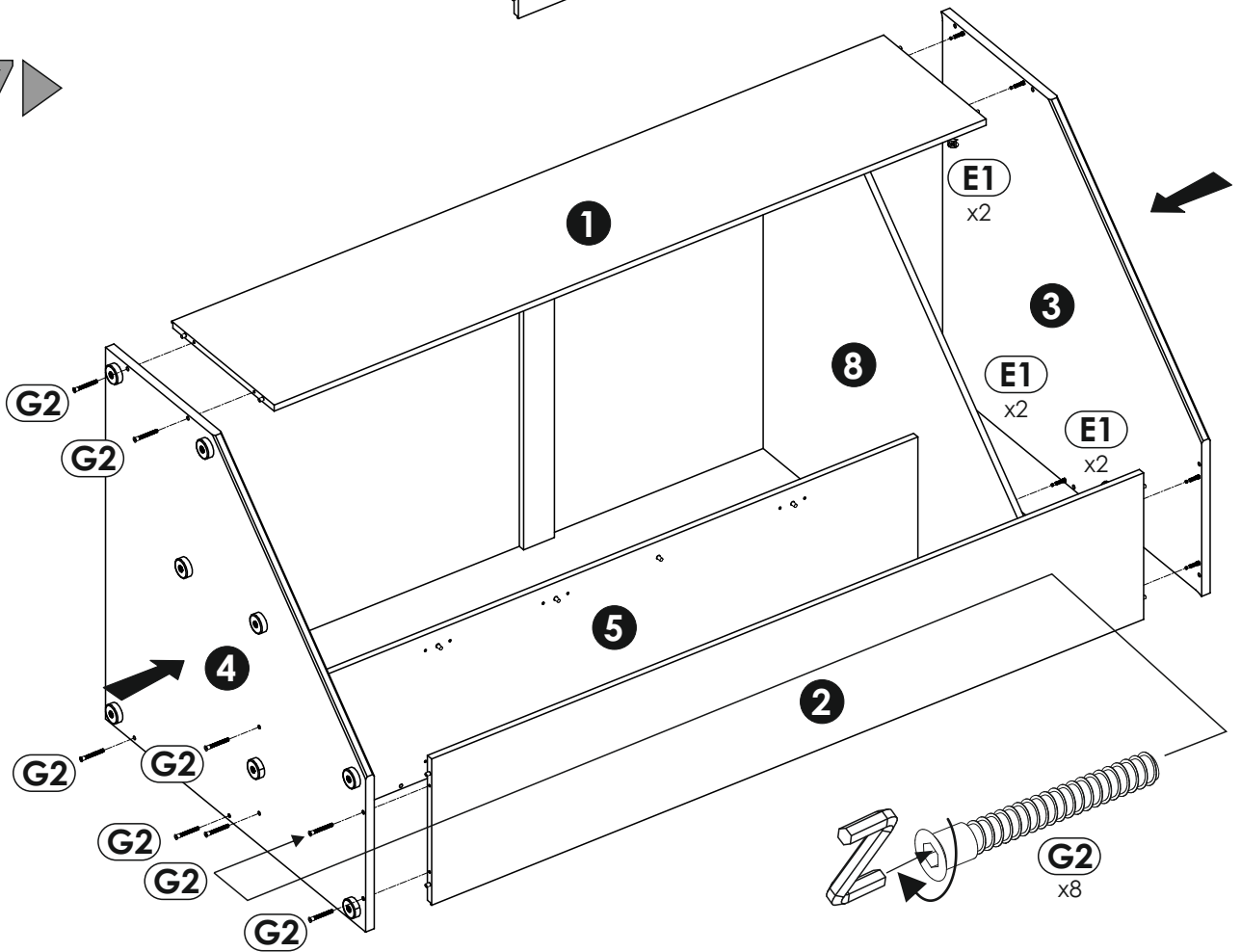




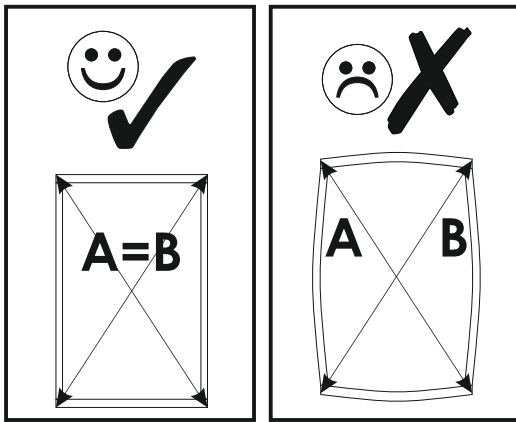
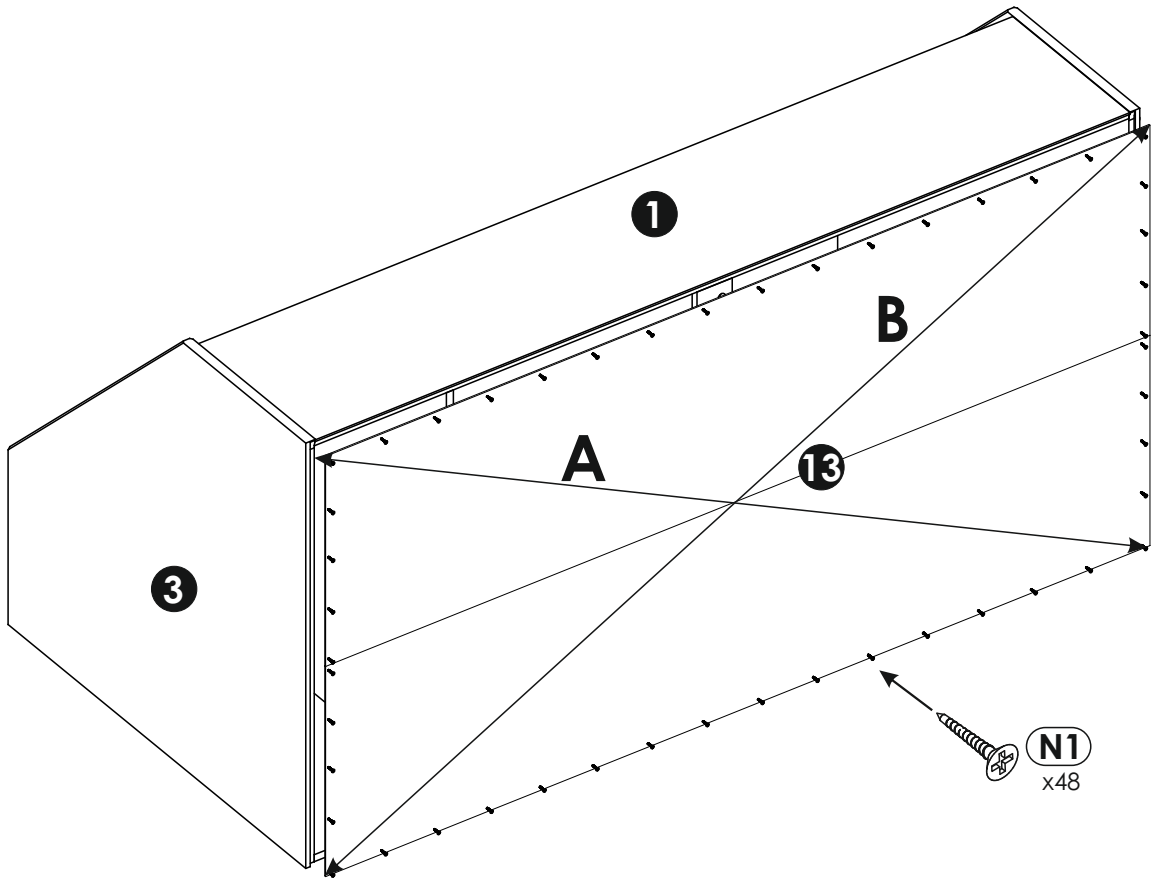
6 ▶



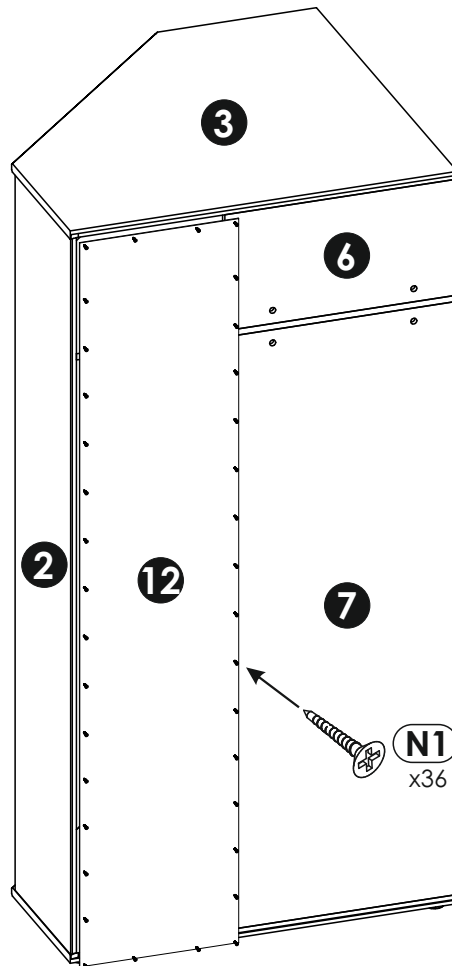
7 ▶



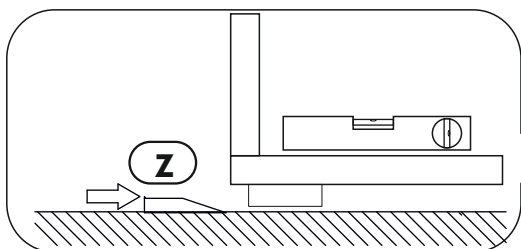
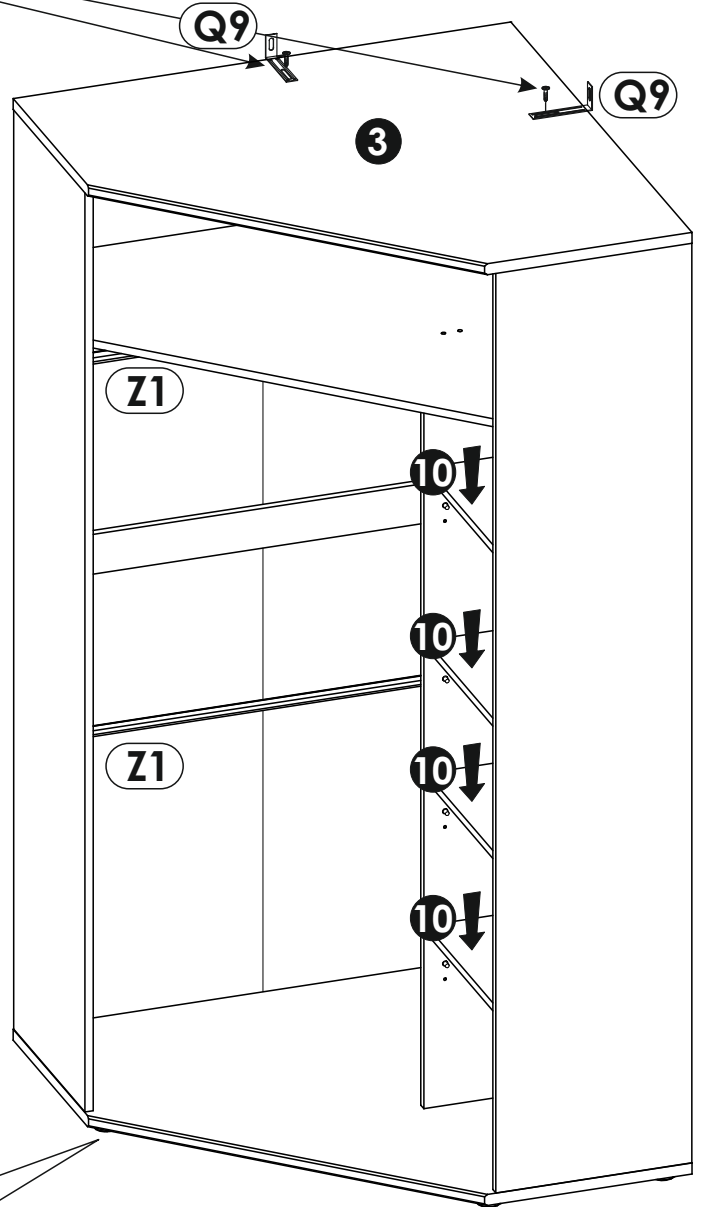
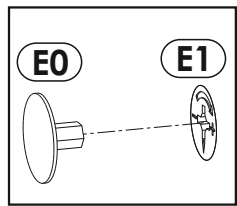
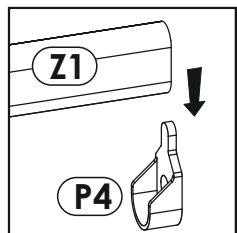
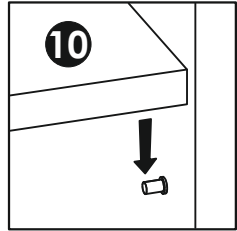
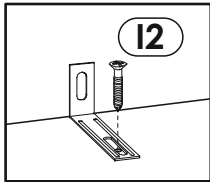
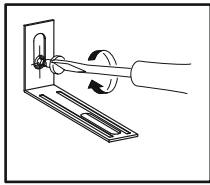
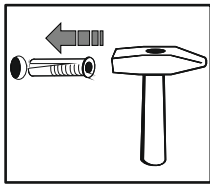
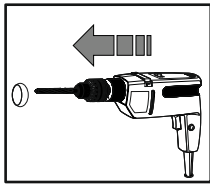
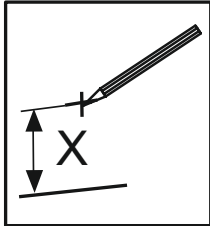
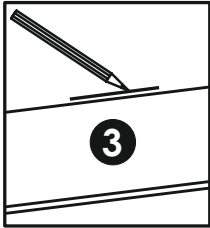
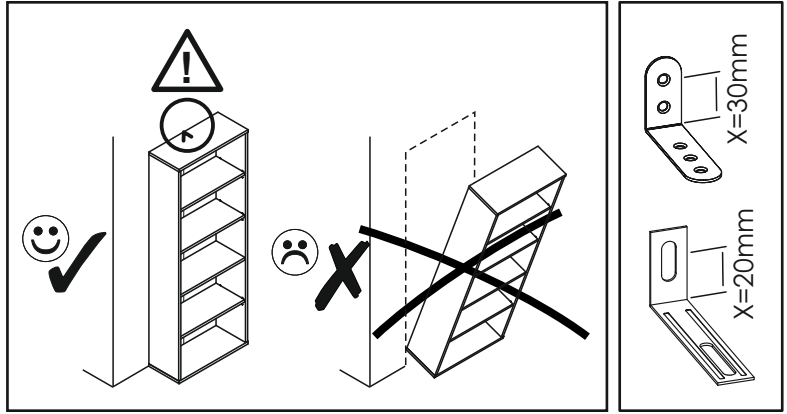
8 ▶



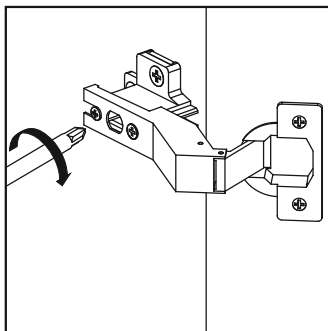
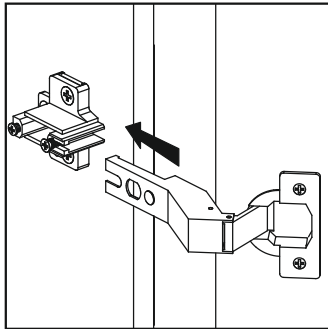
9 ▶



10 ▶



11 ▶



H1

11

I4

I4

I4

I4

D2

D2

max.  
30 kg

max.  
7 kg

max.  
18 kg

max.  
18 kg

