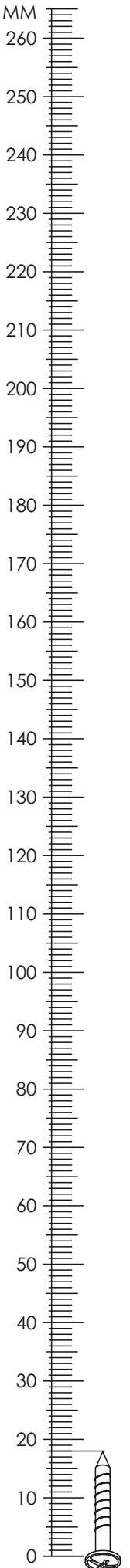
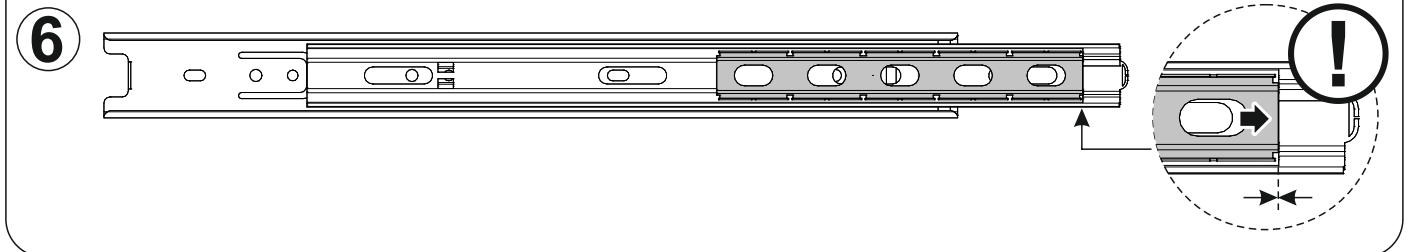
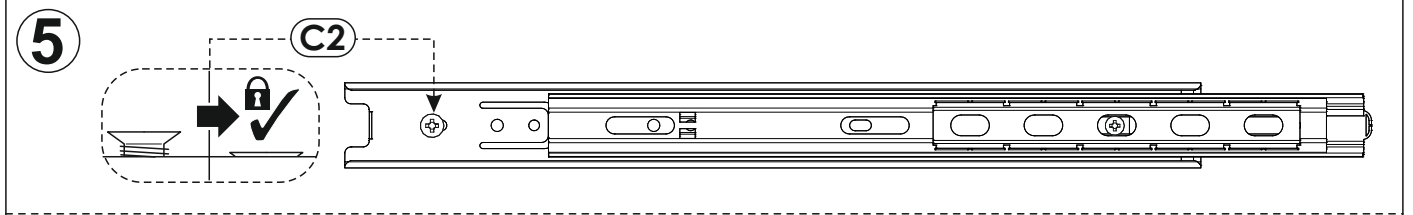
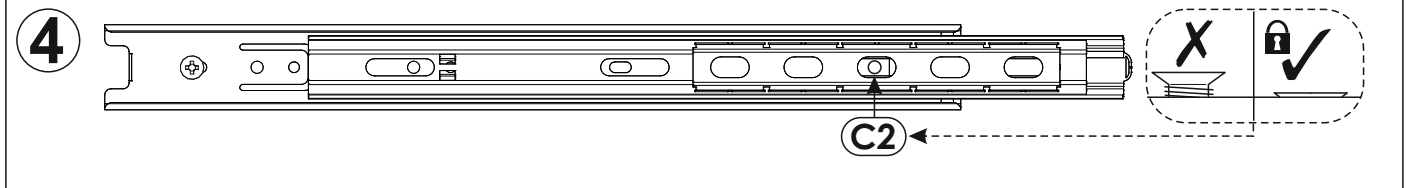
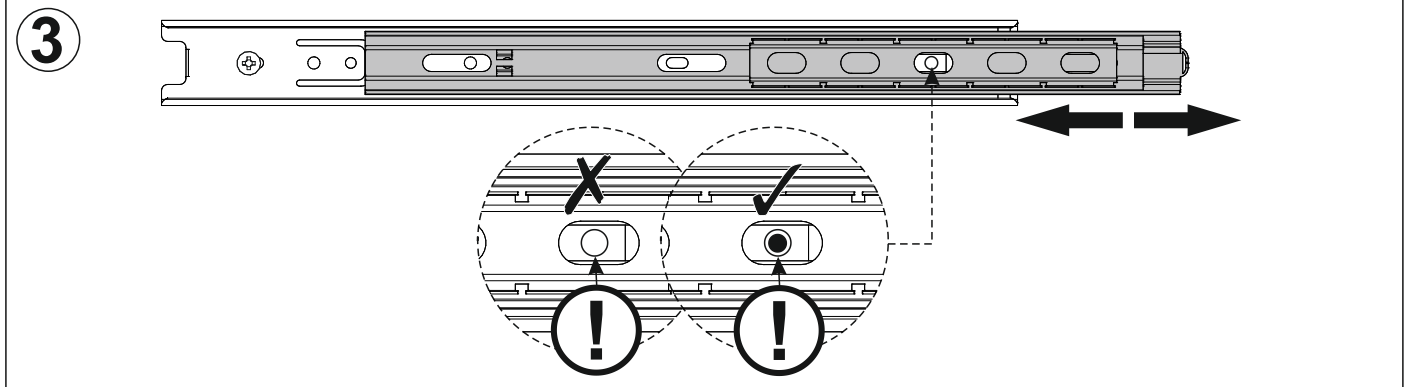
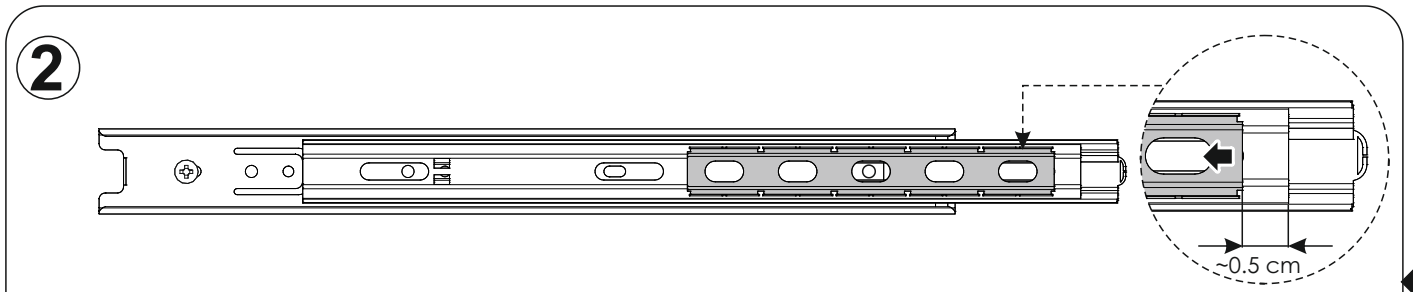
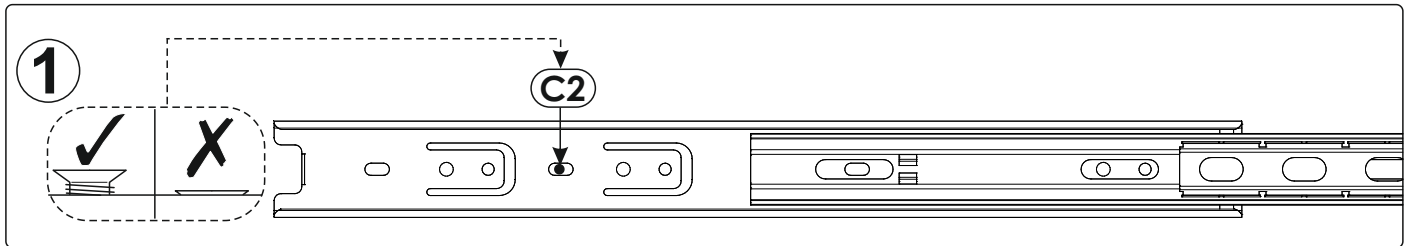
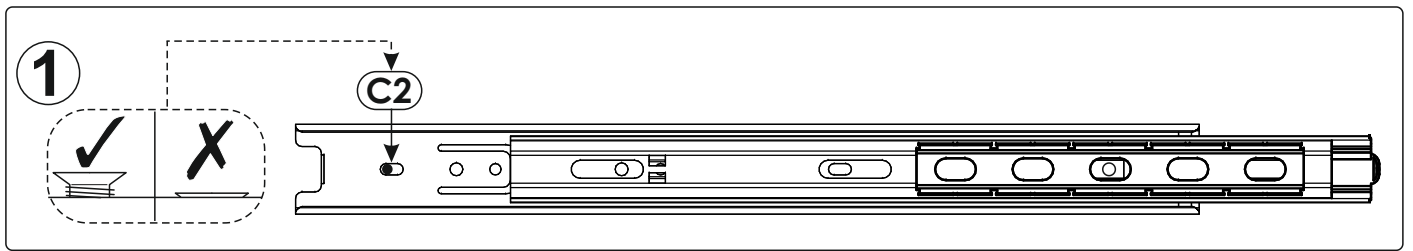
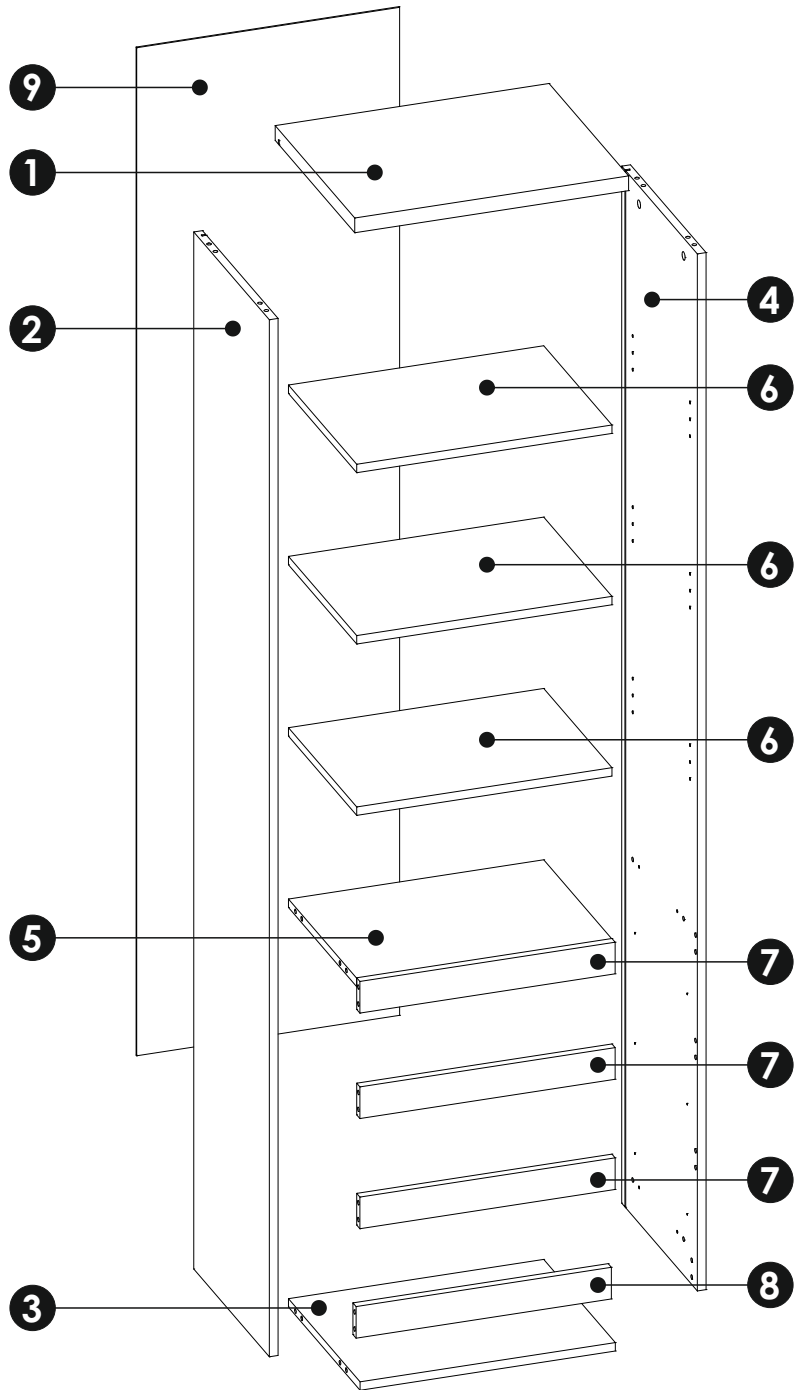
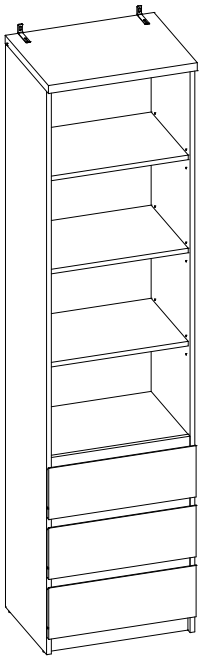


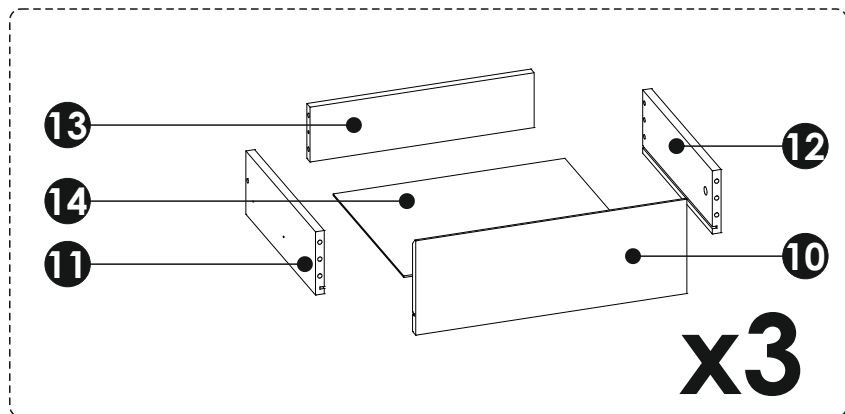
A1	8 x 35 mm	x52	C2	5 x 13 mm	x12	D6		x12
E0		x10	E1	15 x 12 mm	x18	F1	6 x 34 mm	x18
G1	7 x 50 mm	x6	I2	4 x 16 mm	x1	J4	3,5 x 16 mm	x18
M		x1	N1	3 X 16 mm	x20	O2		x4
PW	L - 350 mm	x6	Q9		x1	R4		x14
R8		x6	S13		x1	Z		x1

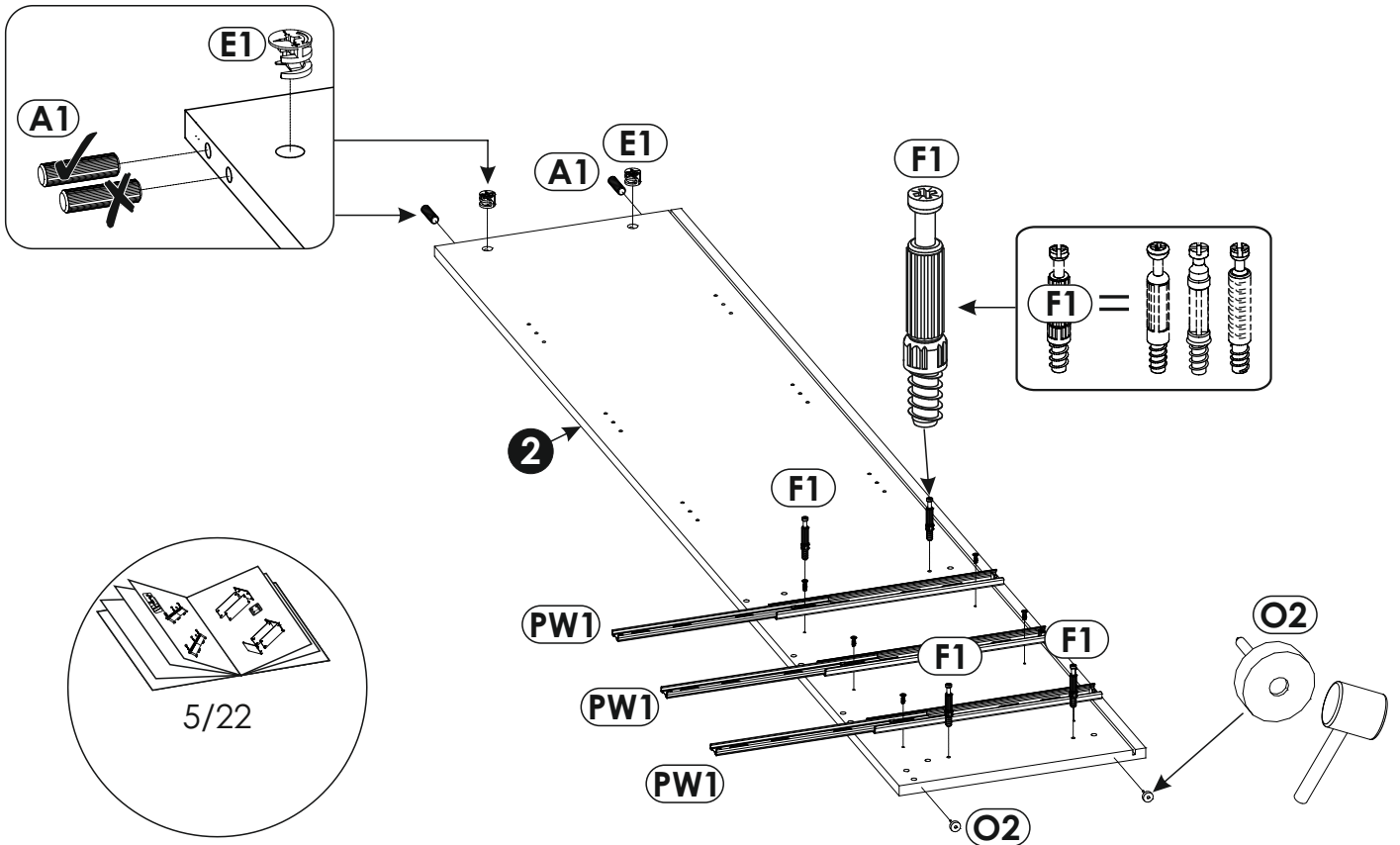
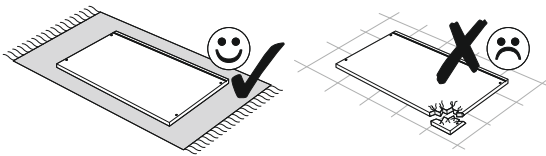
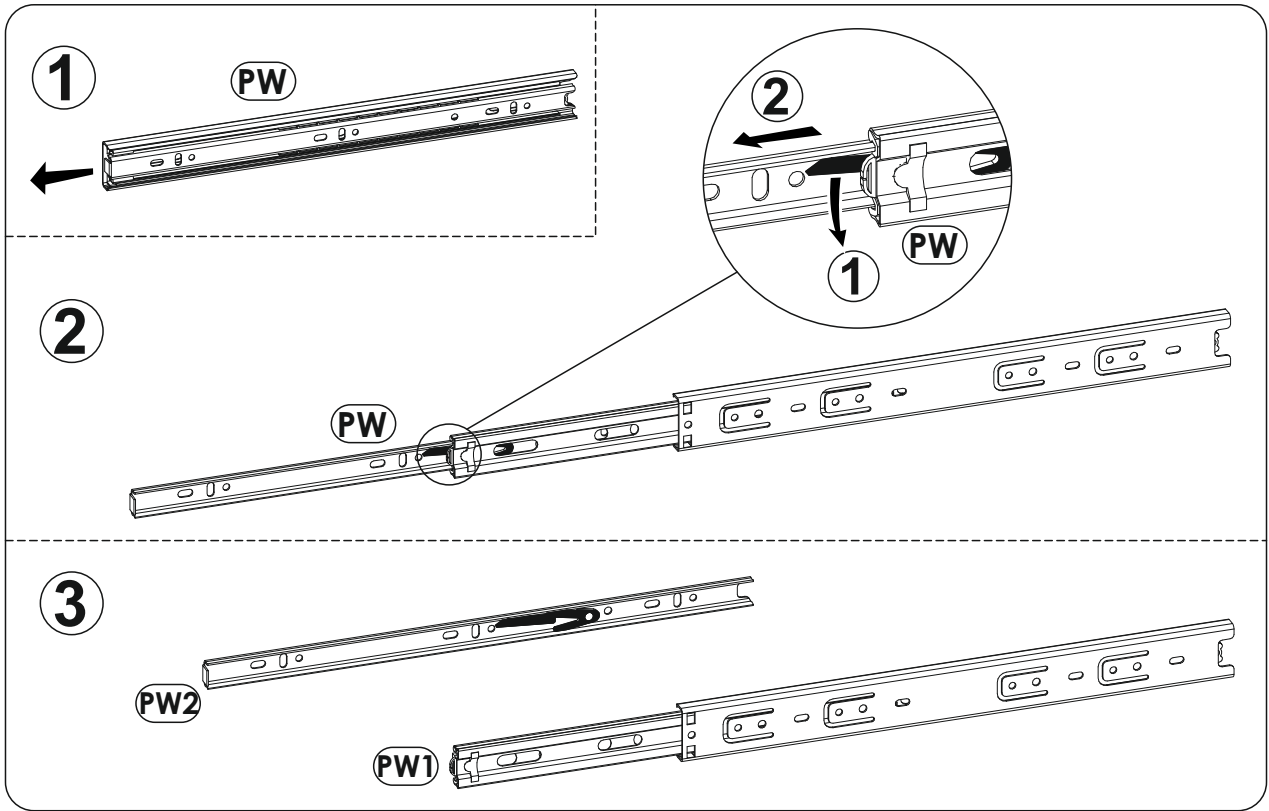




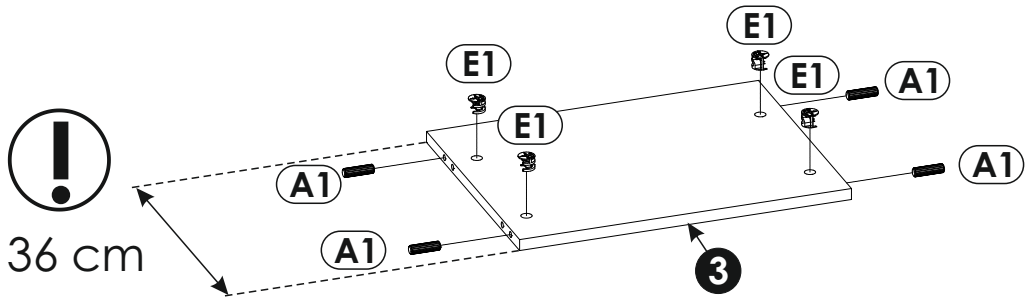
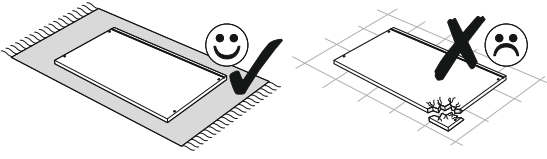


1	501	400	28	x1	1/2
2	1967	380	16	x1	2/2
3	467	360	16	x1	1/2
4	1967	380	16	x1	2/2
5	467	343	16	x1	2/2
6	467	343	16	x3	2/2
7	467	60	16	x3	1/2
8	467	60	16	x1	1/2
9	1912	481	3	x1	2/2
10	496	179	16	x3	1/2
11	350	120	16	x3	1/2
12	350	120	16	x3	1/2
13	410	104	16	x3	1/2
14	424	355	3	x3	1/2

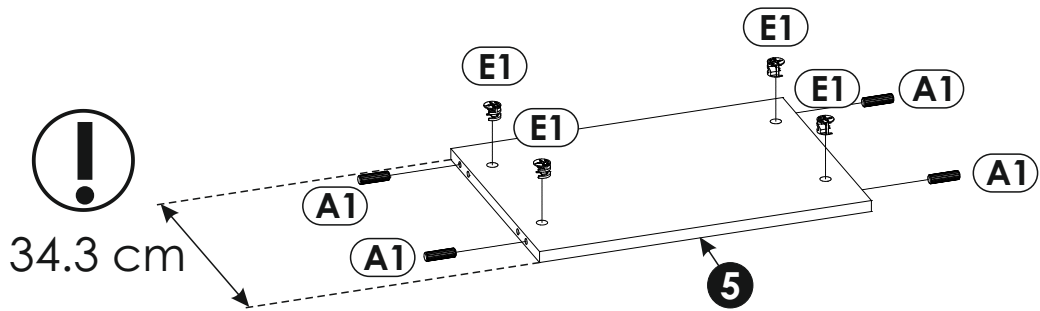
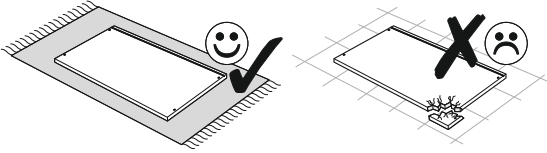


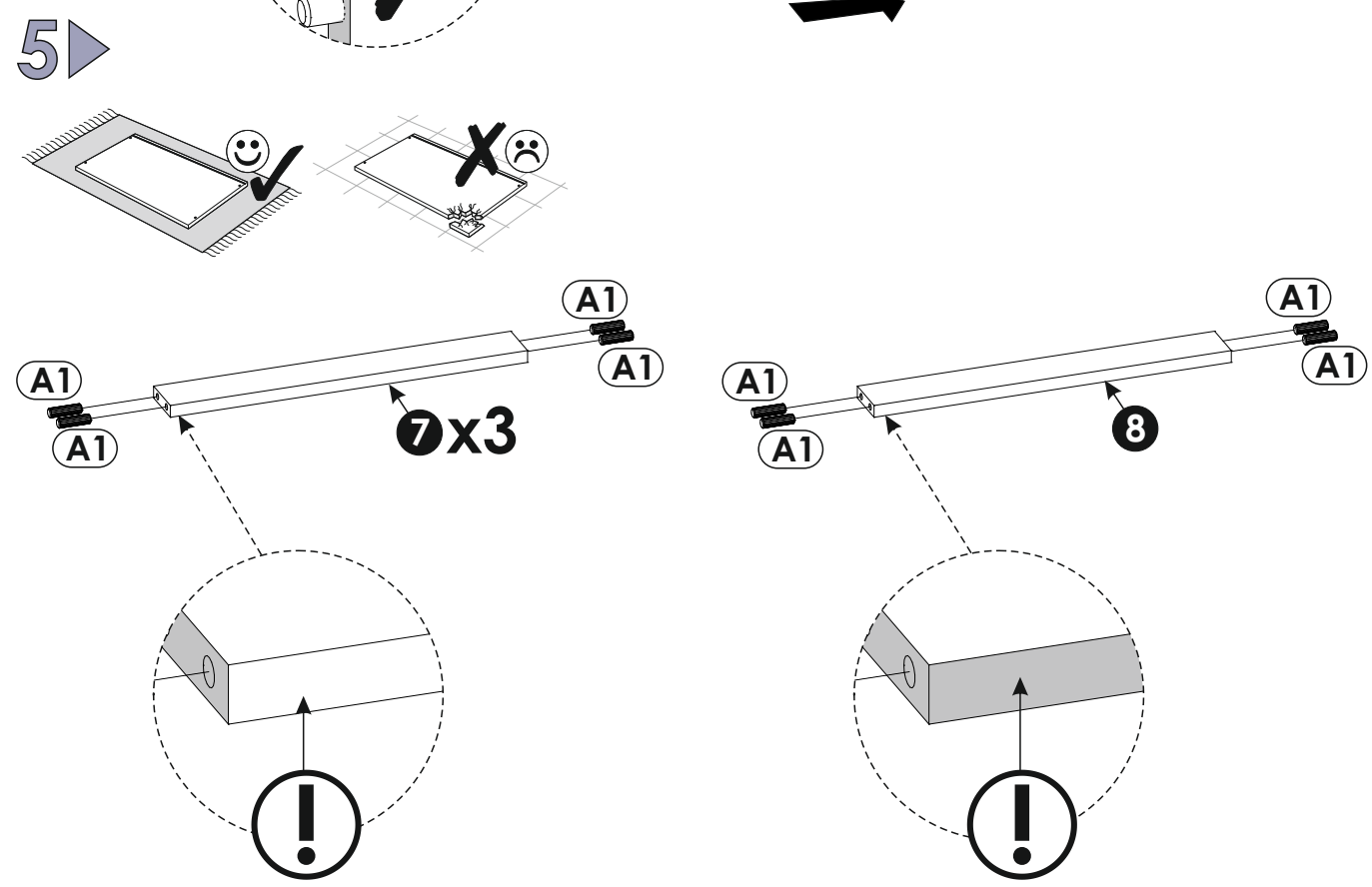
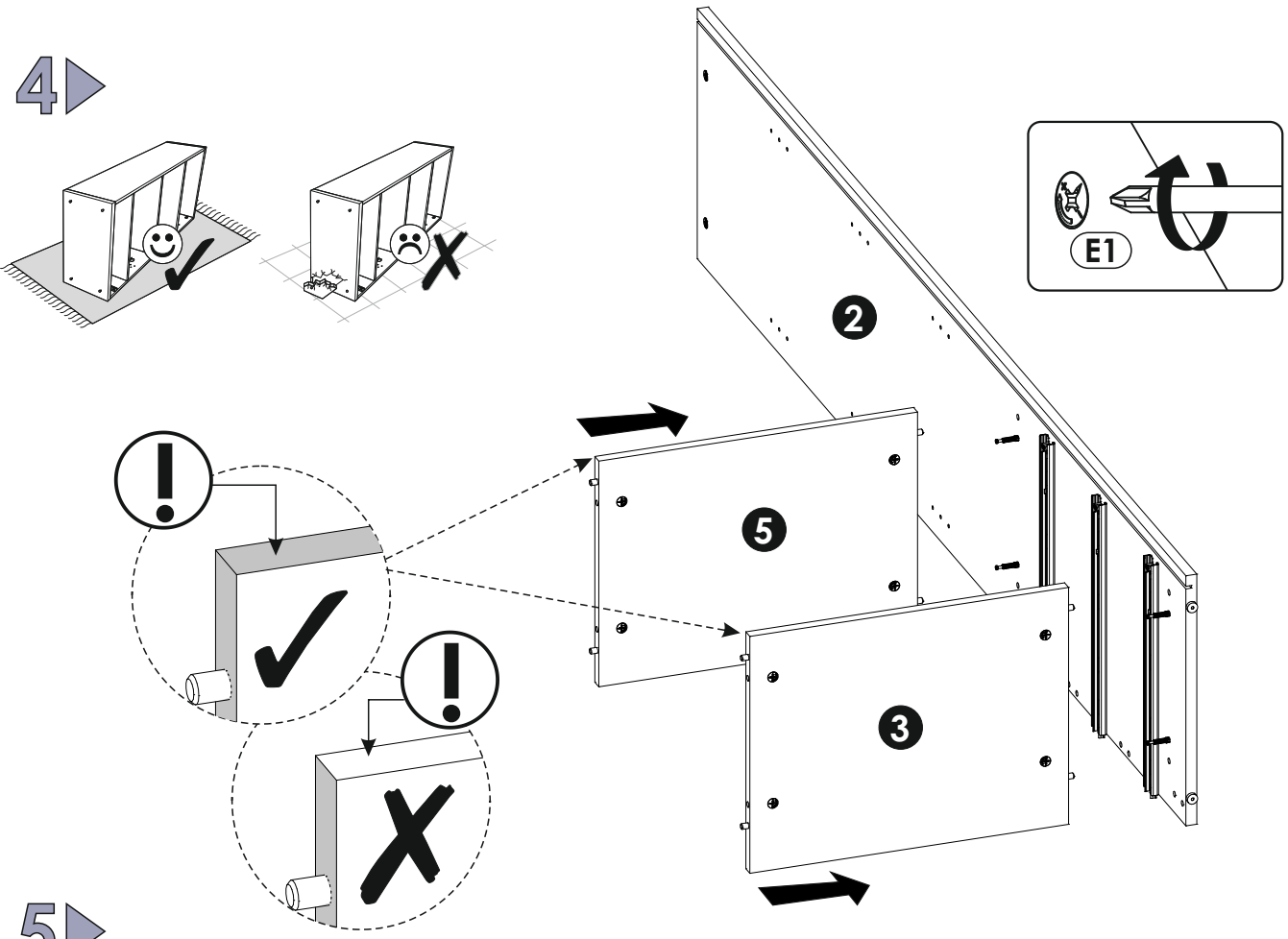
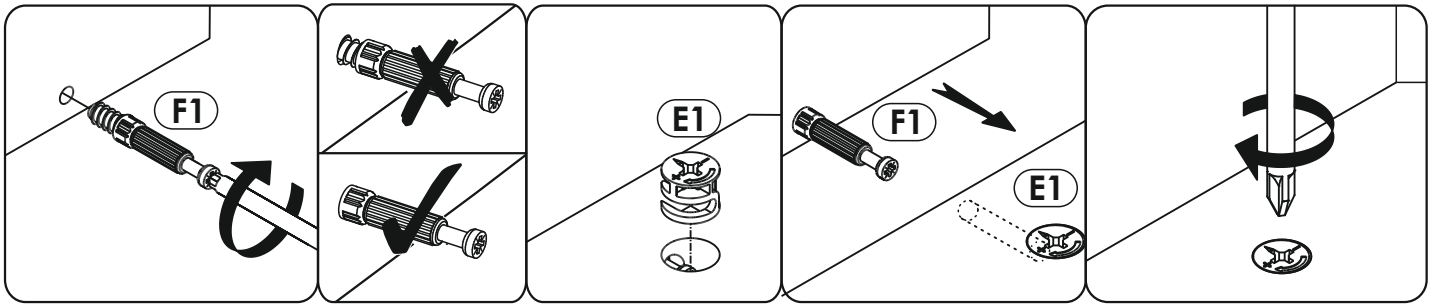


2 ▶

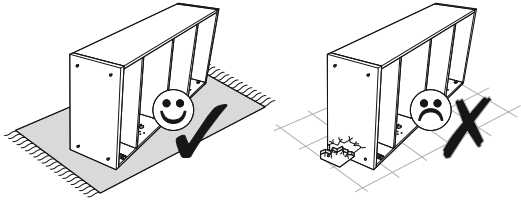


3 ▶

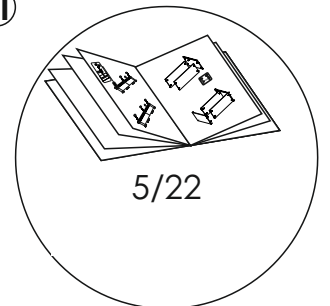
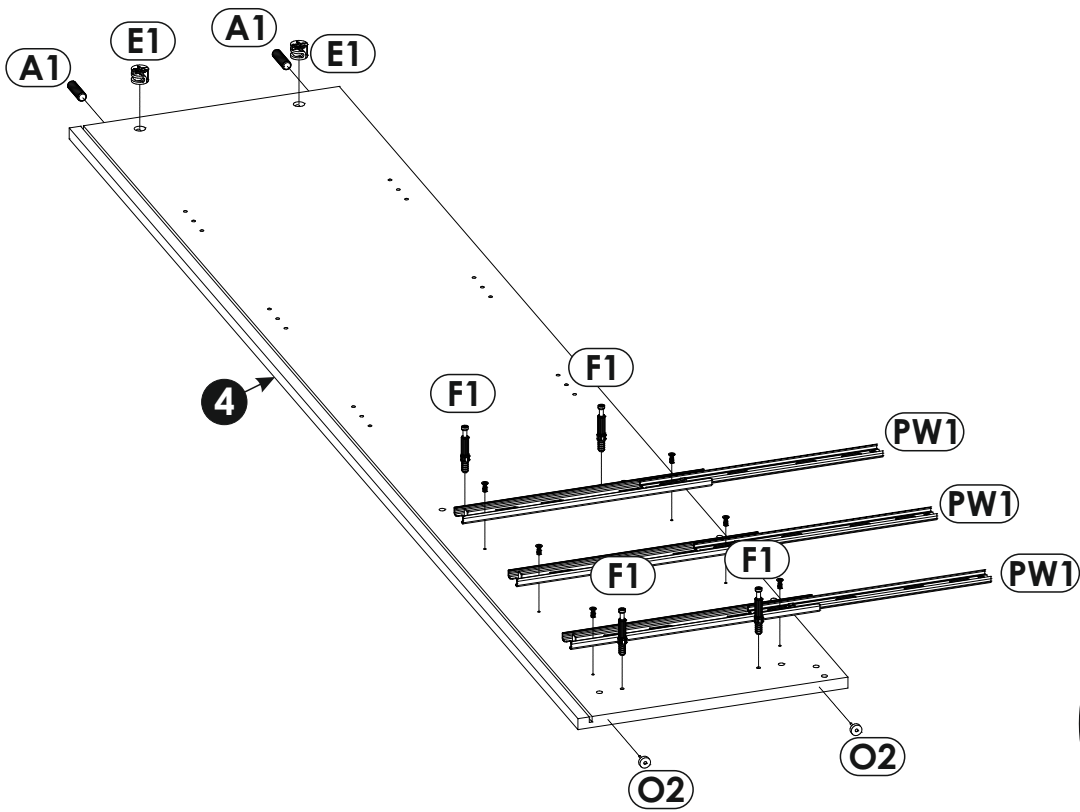
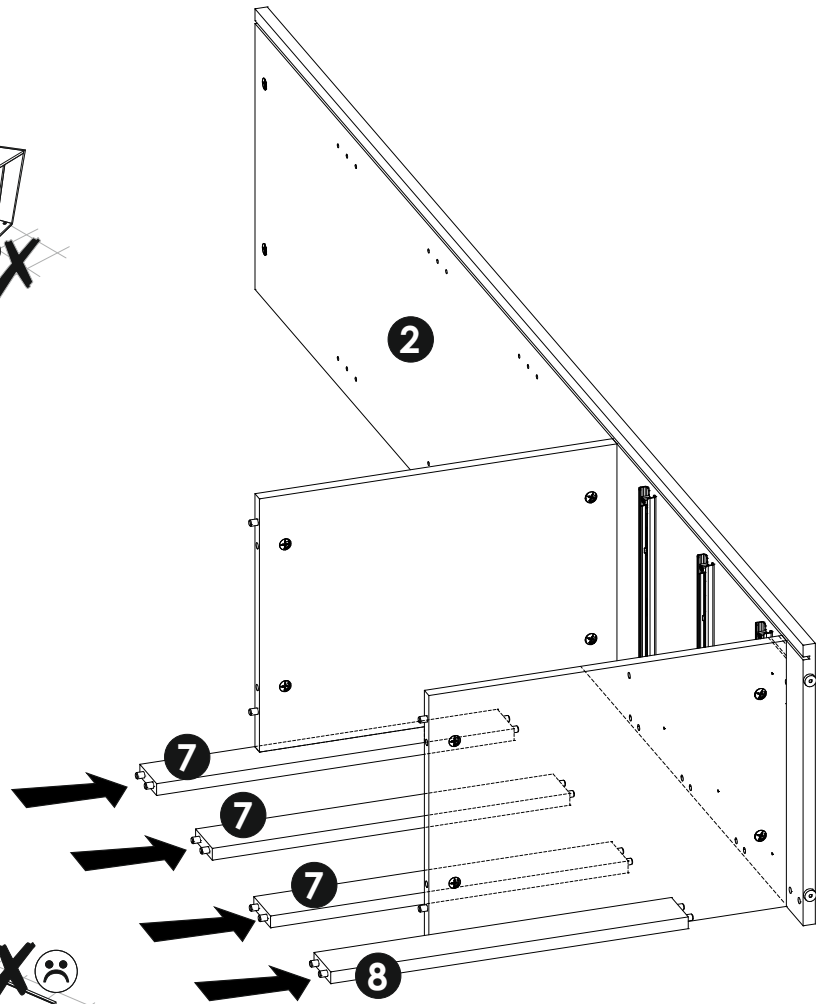
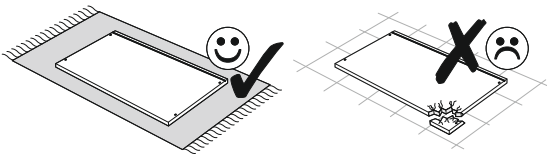




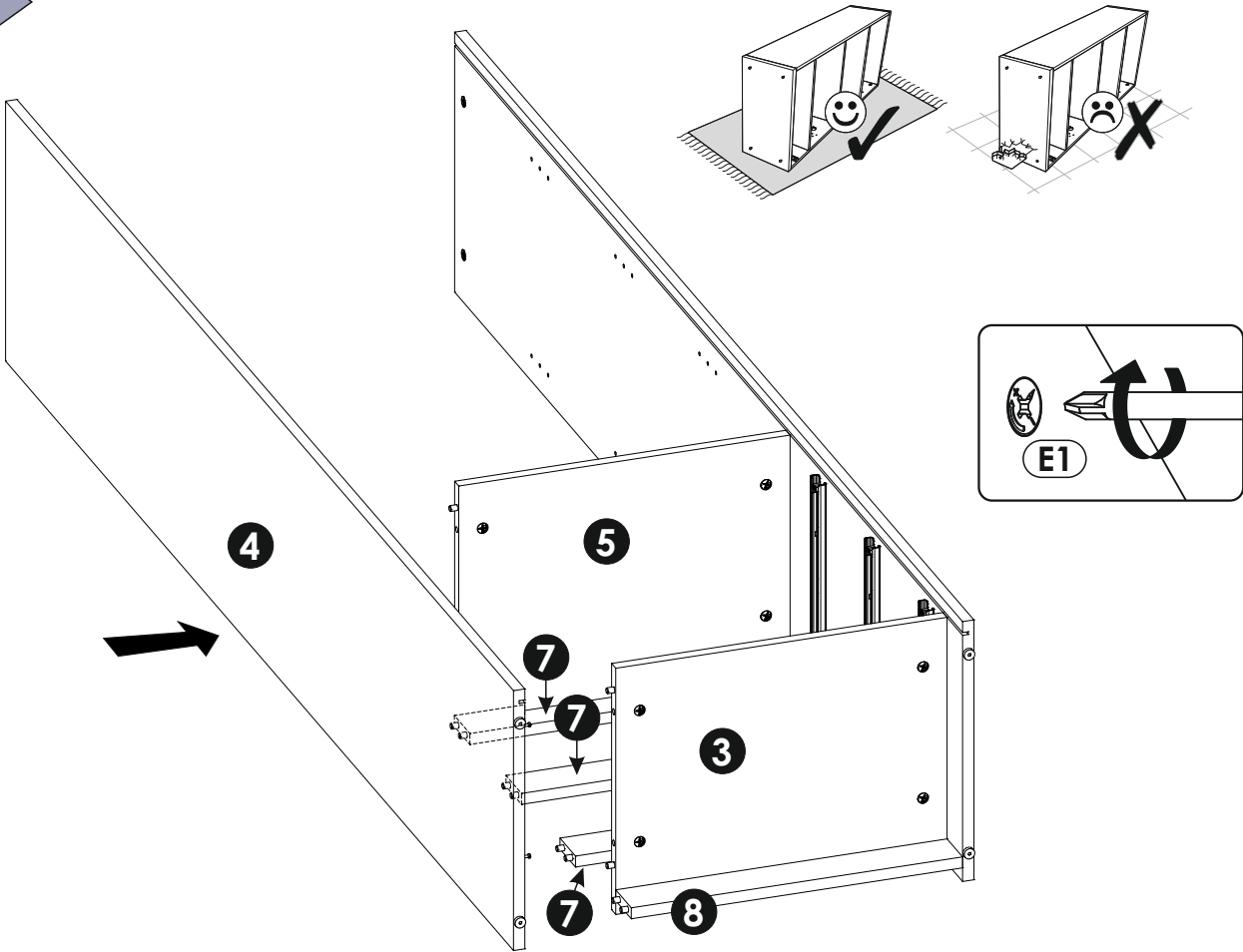
6 ▶



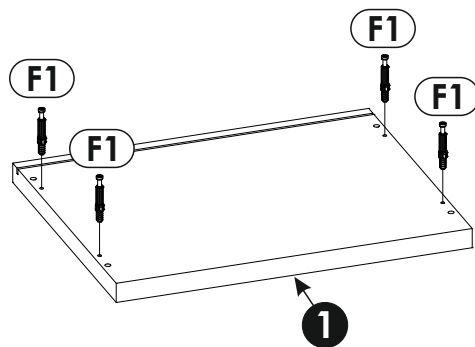
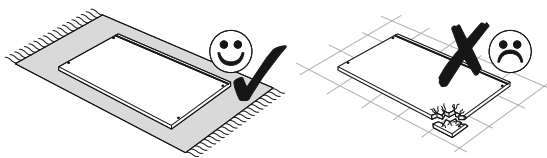
7 ▶



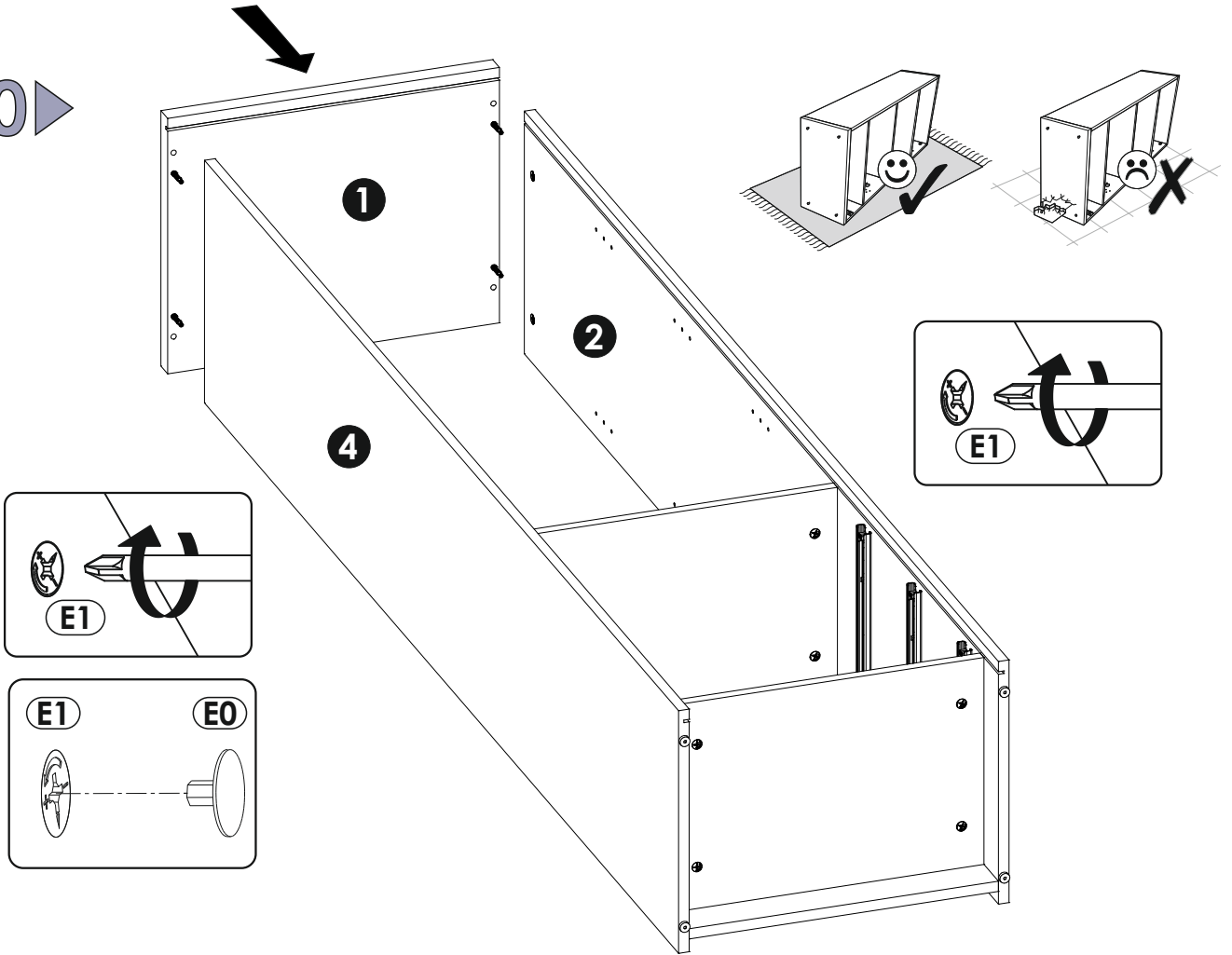
8 ▶



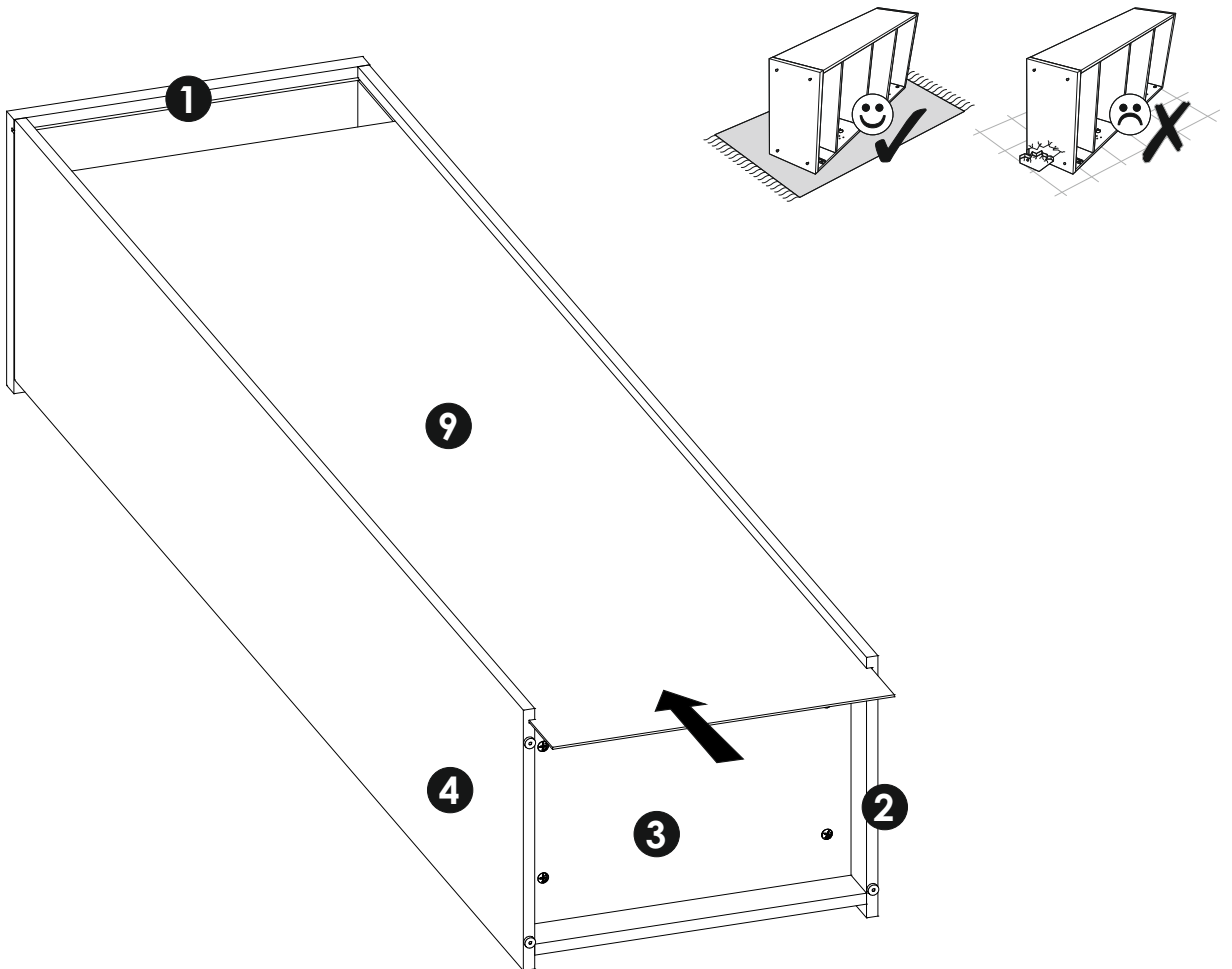
9 ▶



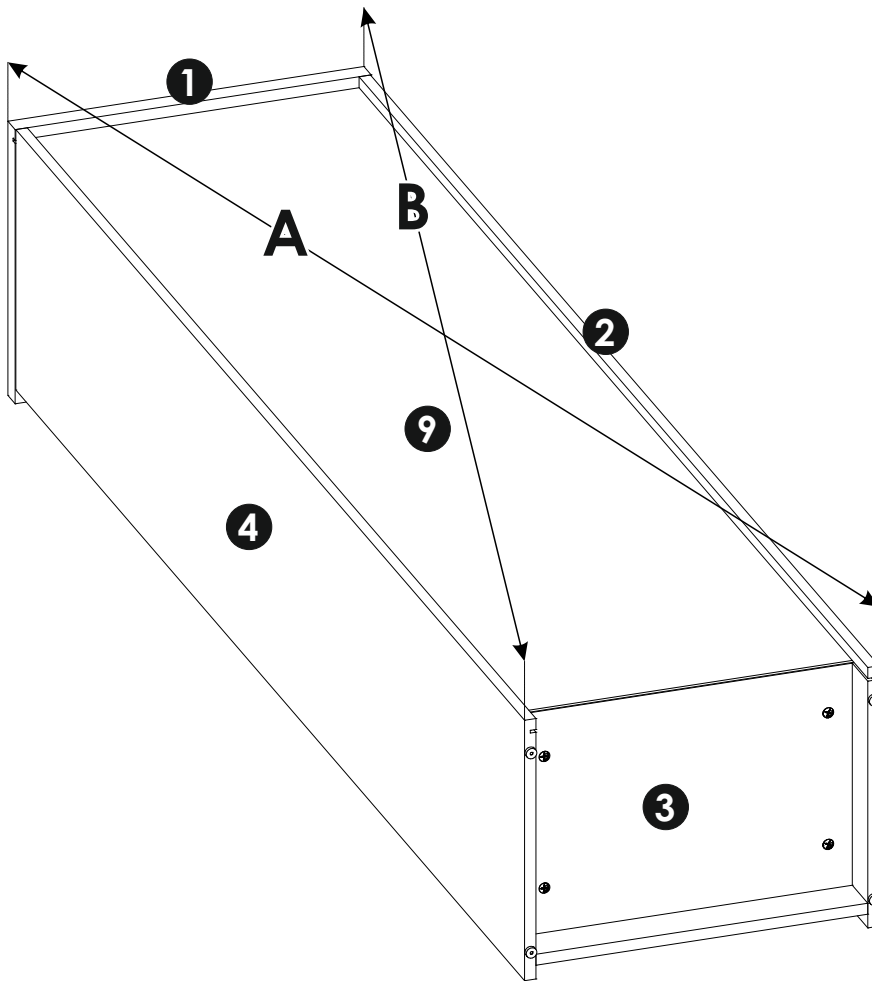
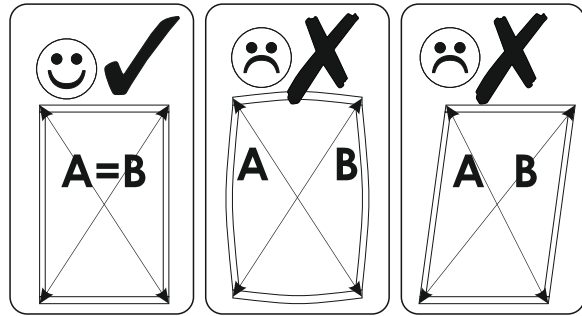
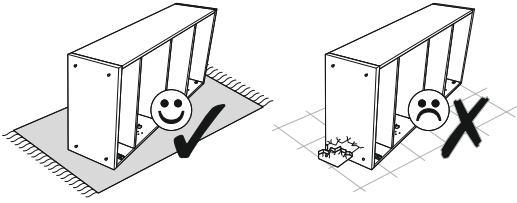
10 ▶



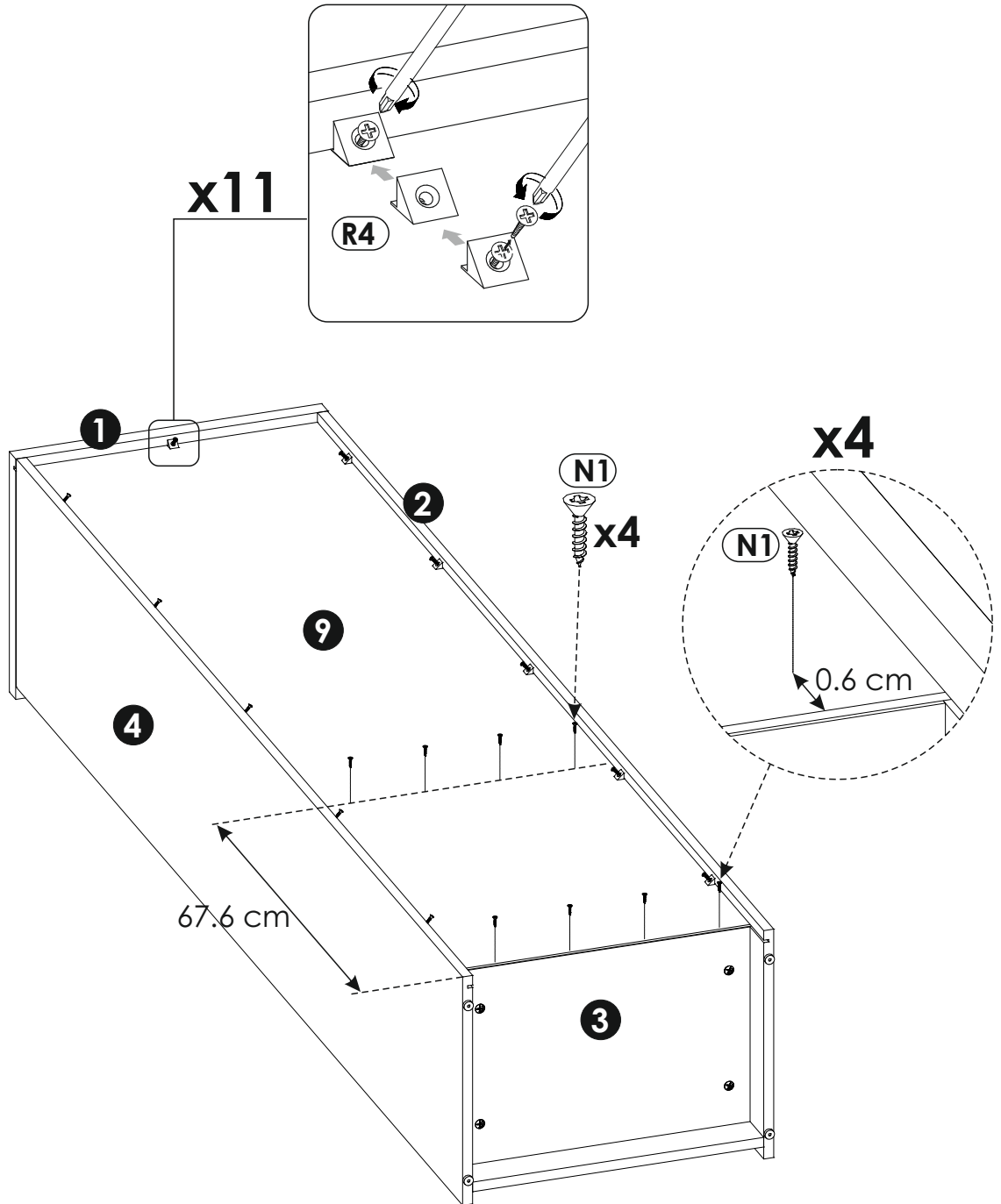
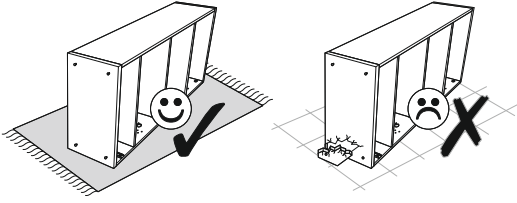
11 ▶



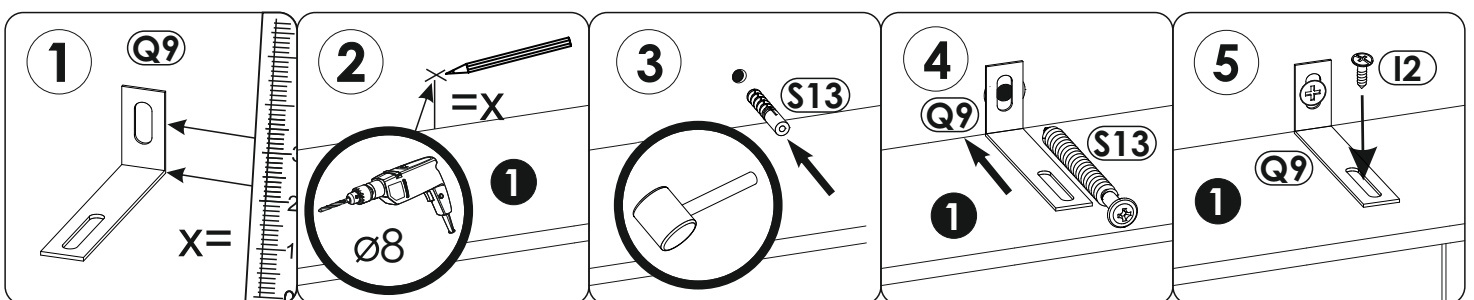
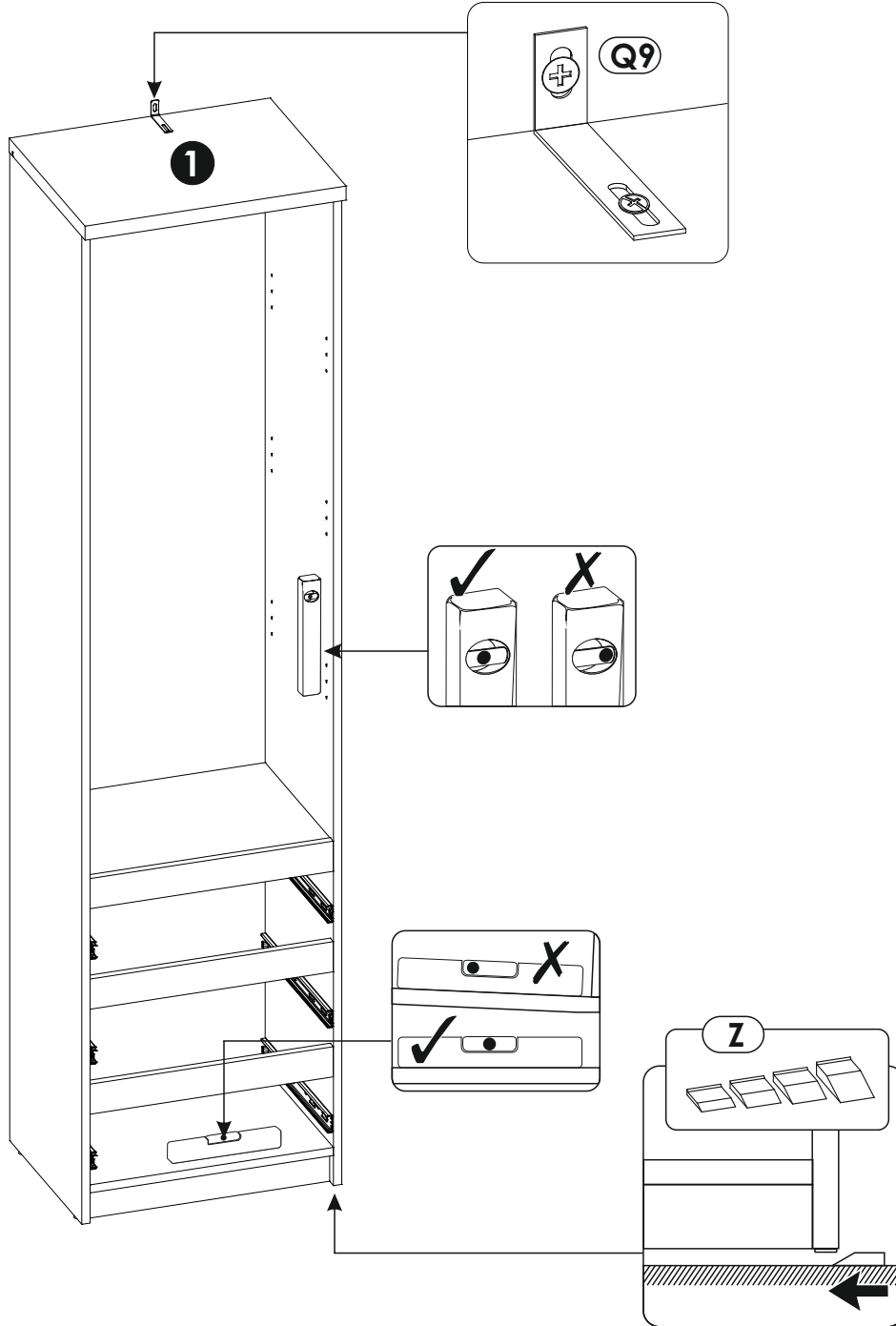
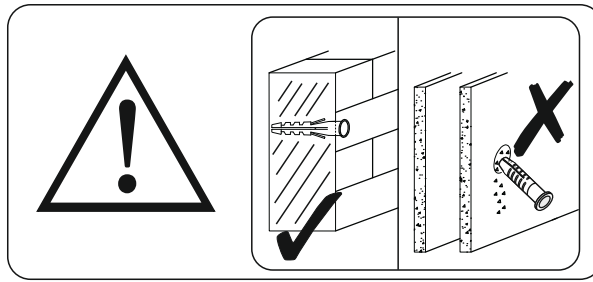
12▶



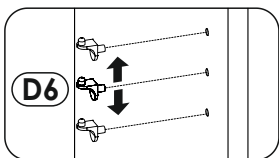
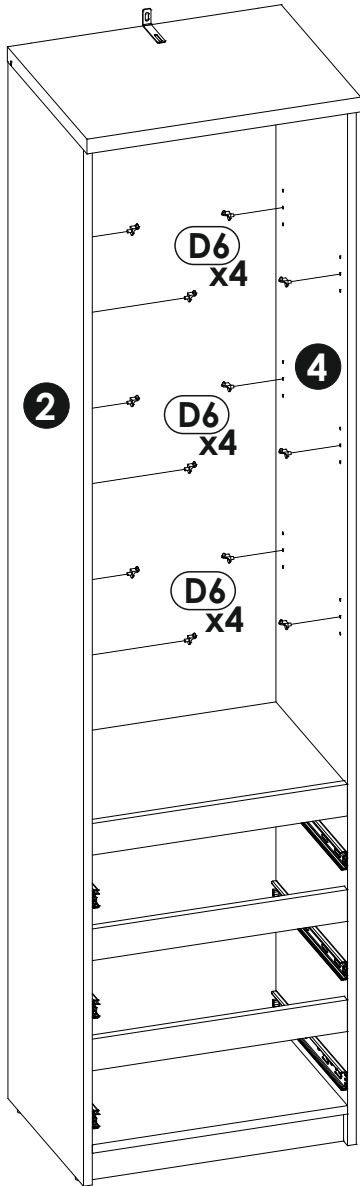
13▶



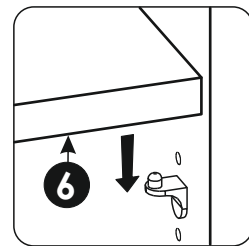
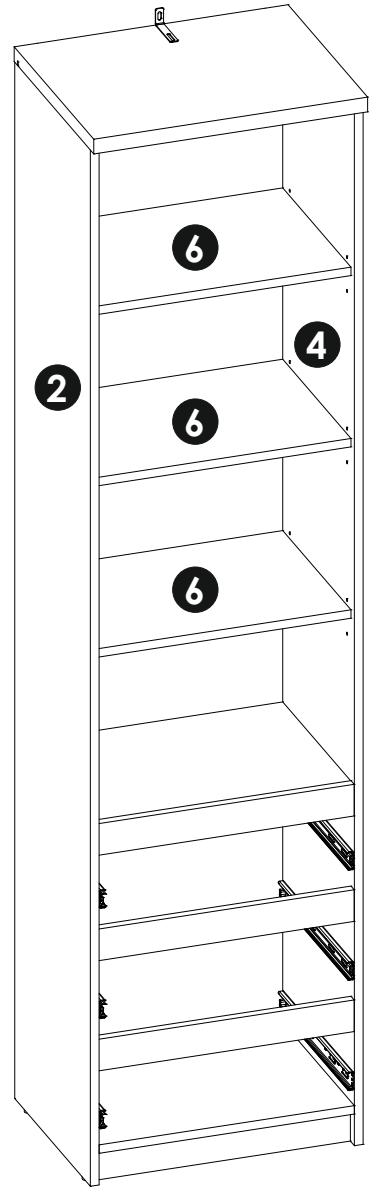
14 ▶



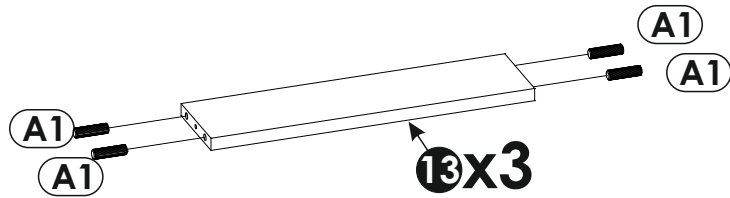
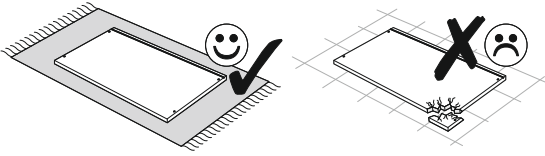
15▶



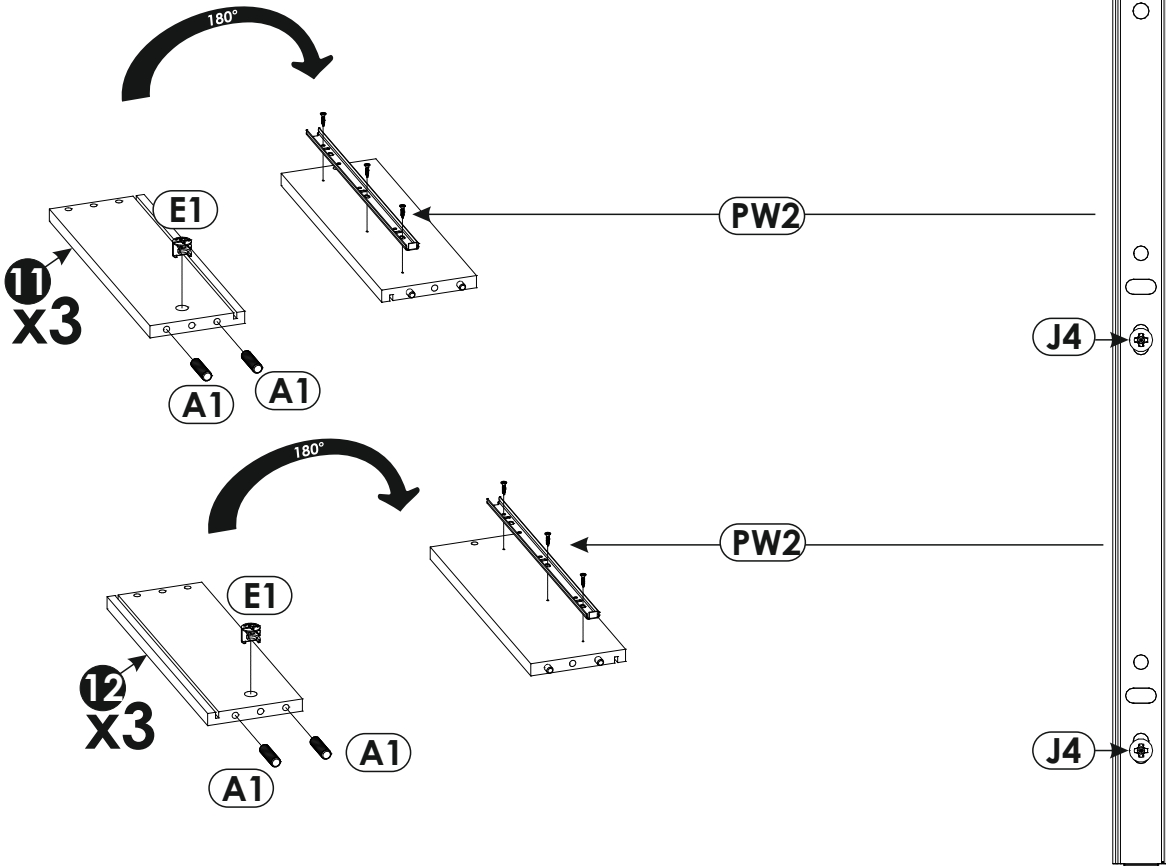
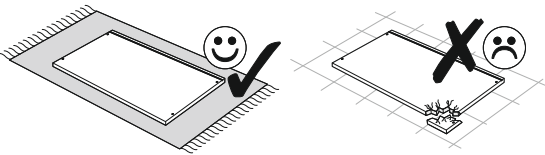
16▶



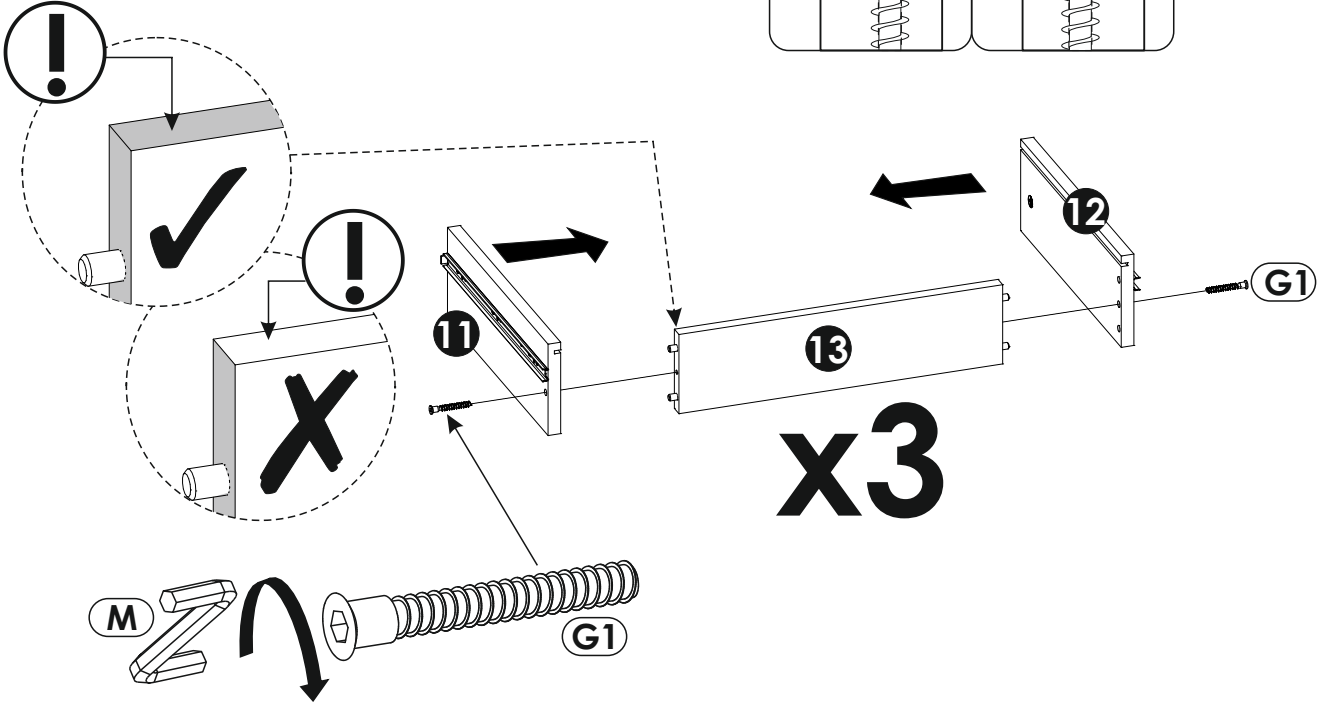
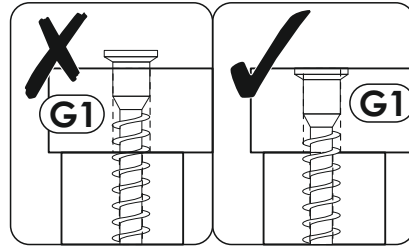
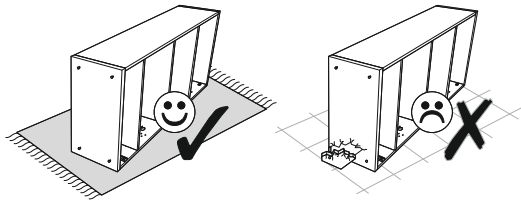
17▶



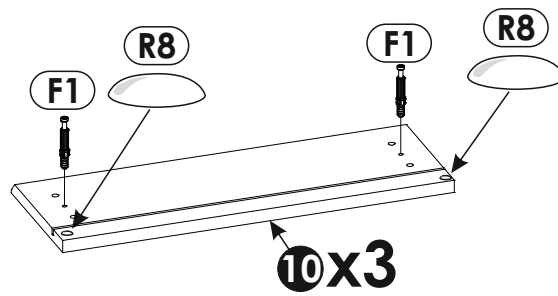
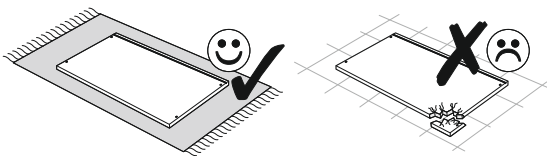
18▶



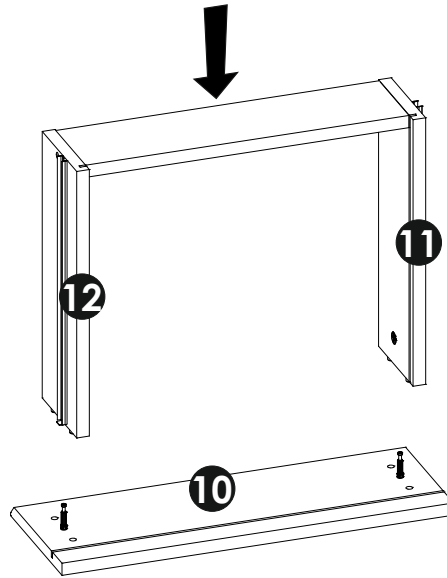
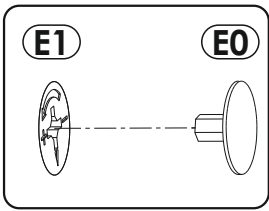
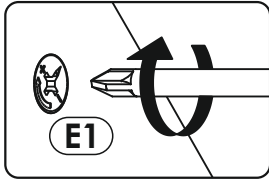
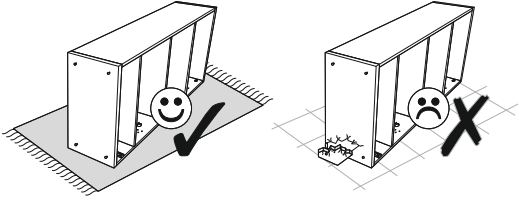
19▶



20▶

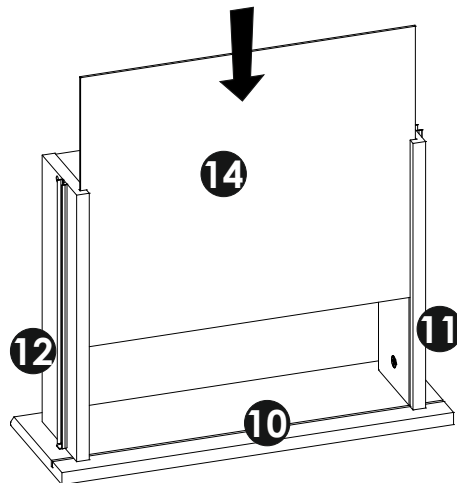
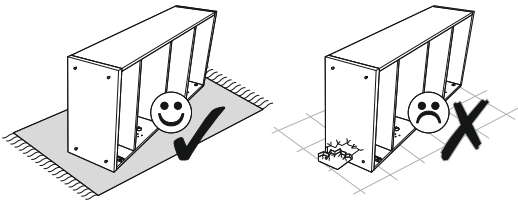


21▶

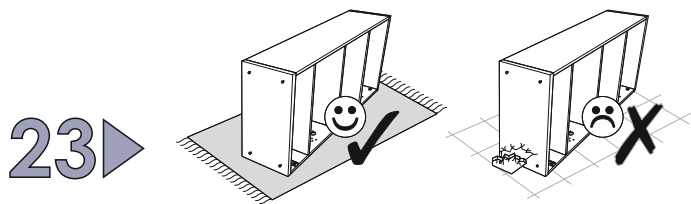


x3

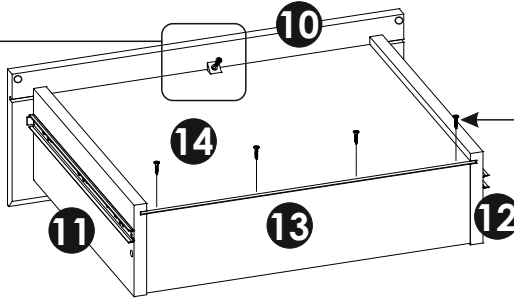
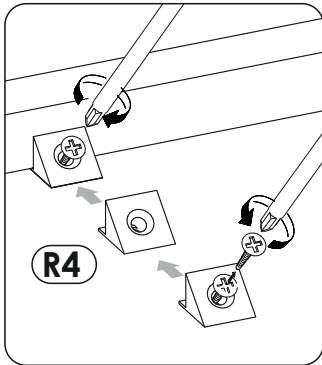
22▶



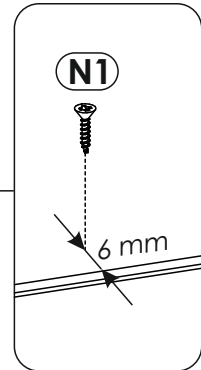
x3



x3



x4



24 ▶

